

# REMINGTON

## ELECTRIC CHAIN SAW

### OWNER'S MANUAL



MODELS: M15012US, M15014AS, M30016US, M30016AS,  
M30016AW, M35016AW

**IMPORTANT:** Read and understand this manual before assembling or operating this chain saw. Improper use of saw can cause severe injury. Keep this manual for future reference.



**DO NOT RETURN PRODUCT TO STORE.**

**CALL 1-800-626-2237 FOR TECHNICAL ASSISTANCE**

For more information, visit [www.remingtonpowertools.com](http://www.remingtonpowertools.com)

This manual is your guide to safe and proper operation of the saw.

**SAVE THESE INSTRUCTIONS.**

Keep your purchase receipt for warranty coverage.

**NO DEVUELVA EL PRODUCTO A LA TIENDA**

Para más información, [www.remingtonpowertools.com](http://www.remingtonpowertools.com)

**PARA AYUDA TÉCNICA LLAME AL 1-800-626-2237**

Este manual es su guía para utilizar esta sierra eléctrica de manera adecuada y segura.

**GUARDE ESTAS INSTRUCCIONES.**

Guarde su recibo de compra para cobertura de la garantía.

**NE RETOURNEZ PAS LE PRODUIT AU DÉTAILLANT**

**FAITES LE 1 800 626-2237 POUR OBTENIR**

**DE L'ASSISTANCE TECHNIQUE**

Pour plus de détails, visitez le [www.remingtonpowertools.com](http://www.remingtonpowertools.com).

C'est un guide pour l'utilisation sécuritaire et correcte de la tronçonneuse.

**CONSERVER CES DIRECTIVES**

Conservez votre reçu d'achat pour obtenir le service sous garantie.

## CONTENTS

<b>IMPORTANT SAFETY INFORMATION</b> .....	4
Before Operating Saw .....	4
While Operating Saw .....	4
Kickback .....	5
Maintenance and Storage of Chain Saw .....	6
<b>UNPACKING</b> .....	6
<b>PRODUCT IDENTIFICATION</b> .....	7
<b>CHAIN SAW NAMES AND TERMS</b> .....	8
<b>QUICK START GUIDE</b> .....	9
<b>ASSEMBLY</b> .....	10
<b>SAW CHAIN TENSION ADJUSTMENT</b> .....	12
<b>OPERATING CHAIN SAW</b> .....	13
Filling Oil Tank .....	13
Oiling Chain .....	13
Clearing sprocket cover of debris .....	13
Extension Cords .....	14
Cutting with the Chain Saw .....	14
Felling a Tree (Cutting Down a Tree) .....	15
Limbing a Tree .....	16
Bucking a Log .....	16
Trimming a Tree (Pruning) .....	17
<b>CLEANING AND MAINTENANCE</b> .....	18
Cleaning Saw Body .....	18
Care of Guide Bar .....	18
Sharpening Saw Chain .....	18
Replacing Saw Chain .....	19
<b>STORAGE</b> .....	20
<b>REPLACEMENT PARTS AND ACCESSORIES</b> .....	20
<b>REPAIR SERVICE</b> .....	20
Warranty Service .....	20
Non-Warranty Service .....	20
<b>TROUBLESHOOTING</b> .....	21
<b>TECHNICAL SERVICE</b> .....	21
<b>WARRANTY INFORMATION</b> .....	22
<b>ILLUSTRATED PARTS BREAKDOWN</b> .....	72
<b>PARTS CENTRAL</b> .....	74

ENGLISH

## IMPORTANT SAFETY INFORMATION

---

**⚠ WARNING:** When using an electric chain saw, basic safety precautions should always be followed to reduce the risk of fire, electric shock, and injury to persons, including the following:

### READ ALL INSTRUCTIONS.

**Make sure you read and understand all instructions in *Important Safety Information*. Improper use of this chain saw can cause severe injury or death from fire, electrical shock, body contact with moving chain, or falling wood.**

### BEFORE OPERATING SAW

1. Read and understand this owner's manual before operating chain saw.
2. Watch what you are doing. Use common sense. Do not operate saw when you are tired.
3. Use chain saw for cutting wood only. Do not use chain saw for purpose not intended. Do not use for cutting plastic, masonry, etc.
4. Only well-instructed adults should operate chain saw. Never allow children to operate chain saw.
5. Use only electrical voltage noted on model plate of chain saw.
6. Use only extension cords marked for outdoor use. See *Extension Cord Requirements*.
7. Do not operate chain saw
  - while under the influence of alcohol, medication, or drugs
  - in rain or in damp or wet areas
  - where highly flammable liquids or gases are present
  - if saw is damaged, adjusted wrong, or not fully and securely assembled
  - if trigger does not turn saw on and off. Chain must stop moving when you release trigger. Have faulty switch replaced by authorized service center (see *Technical Service*).
  - while in a hurry
  - while in tree or on a ladder unless trained to do so
8. Wear snug-fitting clothes when operating chain saw. Do not wear loose clothing or jewelry. They can get caught in moving saw chain.
9. Wear the following safety gear when operating chain saw.
  - heavy-duty gloves (wear rubber gloves when working outdoors)
  - steel-toed safety footwear with non-skid soles
  - eye protection such as safety glasses, goggles, or face screen
  - safety hard hat
  - ear muffers or ear plugs
  - hair covering to contain long hair
  - face or dust mask (if working in dusty areas)
10. Before cutting, always provide the following:
  - clear work area
  - secure footing
  - planned retreat path from falling tree
11. Inspect tree before cutting down. Make sure there are no dead limbs or branches that may fall on you.
12. To reduce the risk of electric shock, this saw has a polarized plug (one blade is wider than the other). This plug will fit in a polarized outlet only one way. If the plug does not fit fully in the outlet of your extension cord, reverse the plug. If it still does not fit, a polarized extension cord will be necessary. Do not change the plug in any way.

### WHILE OPERATING SAW

1. Stay alert. Use common sense while operating chain saw.
2. Keep work area clean. Cluttered areas invite injuries.
3. Be aware of extension cord while operating chain saw. Be careful not to trip over cord. Keep cord away from chain and operator at all times.
4. Keep children, animals, and bystanders away from chain saw and extension cord. Only chain saw user should be in work area.
5. Do not cut down a tree unless you are trained or have expert help.
6. If two or more persons perform bucking and felling operations at the same time, provide plenty of distance between operations. Provide distance of at least twice the height of tree being felled.
7. Secure wood you are cutting by using clamps or chocks.
8. Grip chain saw firmly with both hands. Never operate chain saw with one hand. Never use hand guard as handle.
9. Keep finger off trigger until ready to make cut.

## IMPORTANT SAFETY INFORMATION

10. Before starting chain saw, make sure chain is not touching anything.
11. To guard against electrical shock, avoid body contact with grounded objects such as pipes, fences, and metal posts.
12. Keep all parts of body away from chain when saw is running.
13. Do not force chain saw while cutting. Apply light pressure. It will do the job better and safer at the rate for which it was intended.
14. Cut small brush and saplings with extreme care. Slender material may catch in chain and be whipped toward you. This could also pull you off balance.
15. When cutting limb or tree trunk that is under tension, use extreme caution. Be alert for wood springing back. When wood tension is released, limb could spring back and strike operator causing severe injury or death.
16. Carry chain saw from one place to another
  - with saw stopped and unplugged
  - by holding front handle (never use hand guard as handle)
  - with finger off trigger
  - with guide bar and chain to rear

**⚠ WARNING: This product contains chemicals known to the State of California to cause cancer or birth defects, or other reproductive harm.**

**⚠ WARNING: Some dust created by power sanding, sawing, grinding, drilling, and other construction activities contains chemicals known (to the state of California) to cause cancer, birth defects, or other reproductive harm. Some examples of these chemicals are:**

- lead from lead-based paints
- crystalline silica from bricks and cement and other masonry products
- arsenic and chromium from chemically-treated lumber

**Your risk from these exposures varies, depending on how often you do this type of work. To reduce your exposure to these chemicals: work in a well ventilated area, and work with approved safety equipment, such as those dust masks that are specially designed to filter out microscopic particles.**

## KICKBACK

**⚠ WARNING: Kickback may occur when the nose or tip of the guide bar touches an object, or when the wood closes in and pinches the saw chain in the cut. Tip contact in some cases may cause a lightning fast reverse reaction, kicking the guide bar up and back towards the operator. Pinching the saw chain along the top of the guide bar may push the guide bar rapidly back towards the operator. Either of these reactions may cause you to lose control of the saw which could result in serious injury to user.**

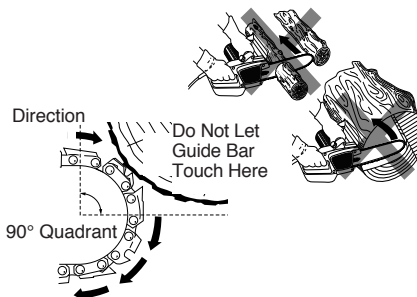
## Kickback Safety Devices On This Saw

This saw has a low-kickback chain and reduced kickback guide bar. Both items reduce the chance of kickback. Kickback can still occur with this saw.

Follow assembly instructions. Do not remove front hand guard. Do not replace front hand guard with substitute.

The following steps will reduce the risk of kickback.

- Use both hands to grip saw while saw is running. Use firm grip. Thumbs and fingers must wrap around saw handles.
- Keep all safety items in place on saw. Make sure they work properly.
- Do not overreach or cut above shoulder height.
- Keep solid footing and balance at all times.
- Stand slightly to left side of saw. This keeps your body from being in direct line with chain.



**Figure 1 - Kickback Hazard Example: Do Not Let Nose of Guide Bar Touch Object While Chain is Moving**

ENGLISH

## IMPORTANT SAFETY INFORMATION

---

- Do not let guide bar nose touch anything when chain is moving (see Figure 1).
  - Never try cutting through two logs at same time. Only cut one log at a time.
  - Do not bury guide bar nose or try plunge cut (boring into wood using guide bar nose).
  - Watch for shifting of wood or other forces that may pinch chain.
  - Use extreme caution when reentering a previous cut.
  - Use low-kickback chain and guide bar supplied with this chain saw. Only replace these parts with chains and guide bars listed in this manual.
  - Never use dull or loose chain. Keep chain sharp with proper tension.
  - Never carry chain saw by power cord.
  - Never yank power cord to unplug it.
  - Keep power cord from heat, oil, and sharp edges.
  - Inspect extension cords often and replace if damaged.
4. When servicing, use only identical replacement parts.
  5. When not in use, always store chain saw
    - in a high or locked place, out of children's reach
    - in a dry place

### Saw Maintenance and Kickback Safety

Follow maintenance instructions in this manual. Proper cleaning of saw and chain and guide bar maintenance can reduce chances of kickback. Inspect and maintain saw after each use. This will increase the service life of your saw. **Note:** Even with proper sharpening, risk of kickback can increase with each sharpening.

### MAINTENANCE AND STORAGE OF CHAIN SAW

1. Unplug chain saw from power source
  - when not in use
  - before moving from one place to another
  - before servicing
  - before changing accessories or attachments, such as saw chain and guard
2. Inspect chain saw before and after each use. Check saw closely if guard or other part has been damaged. Check for any damage that may affect operator safety or operation of saw. Check for alignment or binding of moving parts. Check for broken or damaged parts. Do not use chain saw if damage affects safety or operation. Have damage repaired by authorized service center.
3. Maintain chain saw with care.
  - Never expose saw to rain.
  - Keep chain sharp, clean, and lubricated for better and safer performance.
  - Follow steps outlined in this manual to sharpen chain.
  - Keep handles dry, clean, and free of oil and grease.
  - Keep all screws and nuts tight.
  - Inspect power cord often. If damaged, have repaired by authorized service center.

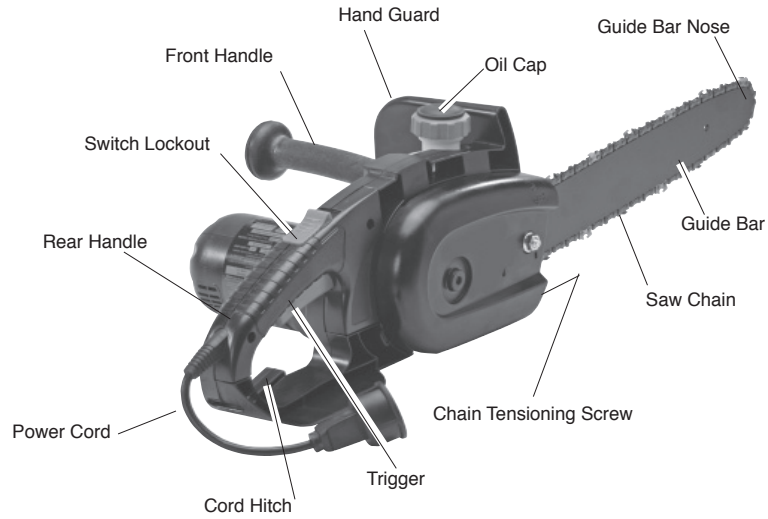
### UNPACKING

1. Remove all items from carton.
2. Check all items for any shipping damage. If you find any damage or if any parts are missing, call Technical Services at 1-800-626-2237 for prompt service.

**Save these instructions.**

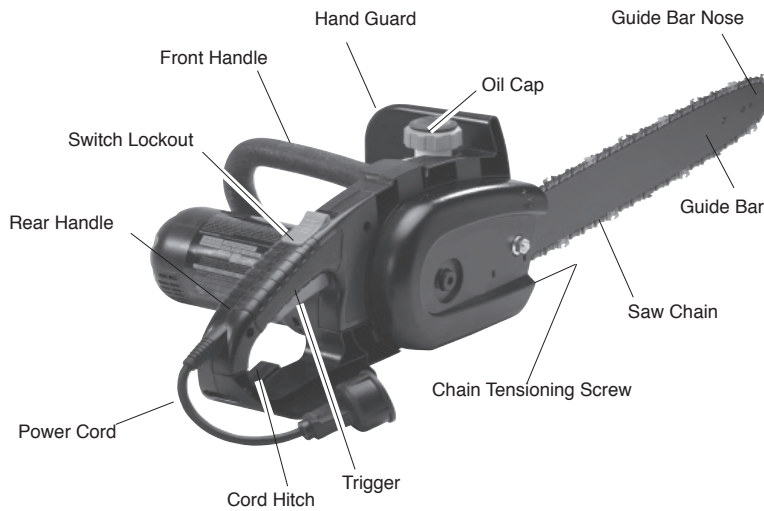
## PRODUCT IDENTIFICATION

---



ENGLISH

**Models: M15012US, M15014AS, M30016US, M30016AS**



**Models: M30016AW, M35016AW**

## CHAIN SAW NAMES AND TERMS

---

**Bucking** Process of cutting a felled tree or log into lengths.

**Chock** Block or wedge used to secure wood from moving.

**Felling** Process of cutting down a tree.

**Felling Cut** Final cut when felling a tree. Make this cut on opposite side of tree from notching cut.

**Front Handle** Located at front of saw body.

**Front Hand Guard** Shield between front handle and guide bar. Protects left hand while using saw.

**Guide Bar** Metal bar that extends from saw body. The guide bar supports and guides chain.

**Guide Bar Nose** Tip or end of guide bar.

**Guide Bar Retainer** Bolt-like fastener that holds guide bar in place during assembly and operation of chain saw.

**Kickback** Quick backward and upward motion of guide bar. Kickback may occur when tip of guide bar touches an object while chain is moving. The guide bar will kick up and back towards operator.

**Limbing** Process of cutting limb(s) from a felled tree.

**Low-Kickback Chain** Chain that reduces chance of kickback as required by ANSI B175.1.

**Normal Cutting Position** Stance used while making bucking and felling cuts.

**Notching Cut** Notch cut in tree that directs fall of tree.

**Oiler Control** System for oiling guide bar and chain.

**Power Head** Chain saw without chain and guide bar. Also known as saw body.

**Pushback (Kickback, Pinch)** Rapid pushback of chain saw. Pushback may occur if chain along top of guide bar is pinched, caught, or contacts a foreign object.

**Rear Handle** Handle located at rear of saw body.

**Reduced Kickback Guide Bar** Guide bar that reduces chance of kickback.

**Replacement Chain** Chain that complies with ANSI B175.1 when used with a specific saw. It may not meet ANSI requirements when used with other saws.

**Saw Chain (Chain)** Loop of chain having cutting teeth for cutting wood. The motor drives chain. The guide bar supports chain.

**Spiked Bumper (Spike)** Pointed teeth at front of saw body beside guide bar. Keep spiked bumper in contact with wood when felling or bucking. It helps maintain position of saw while cutting.

**Sprocket** Toothed wheel that drives chain.

**Switch** Device that completes or interrupts electrical circuit to motor of saw.

**Switch Linkage** This device connects switch to trigger. It moves switch when you squeeze trigger.

**Switch Lockout** Device that reduces accidental starting of saw.

**Trigger** Device that turns saw on and off. Squeezing trigger turns saw on. Releasing trigger turns saw off.

**Trimming (Pruning)** Process of cutting limb(s) from a living tree.

**Undercut** An upward cut from underside of log or limb. This is done while in normal cutting position and cutting with top of guide bar.

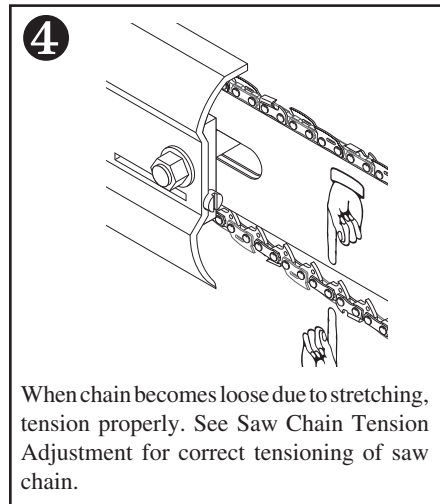
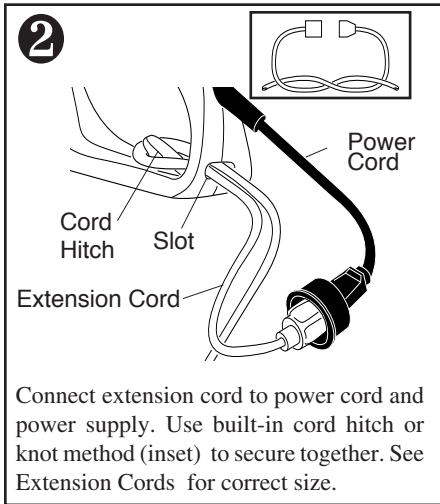
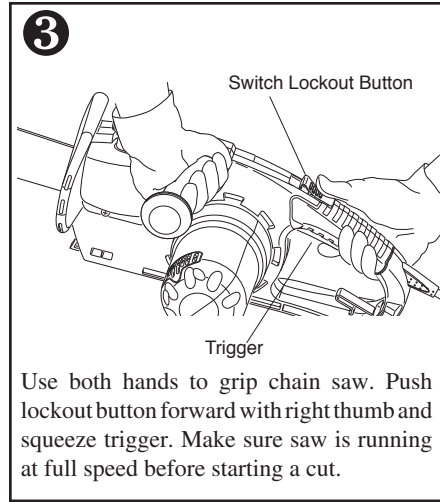
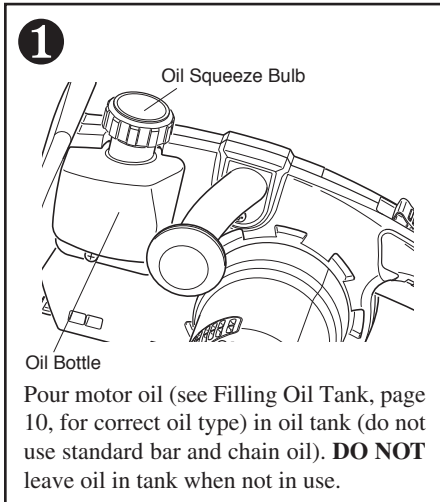
**Unibody** Main body of chain saw.



## QUICK START GUIDE

If you are familiar with chain saws, their proper usage, and the saw you purchased is fully assembled, use this Quick Start Guide to quickly begin using your new Remington brand chain saw.

ENGLISH



**For complete information concerning your saw and its proper usage, read and understand this owner's manual thoroughly.**

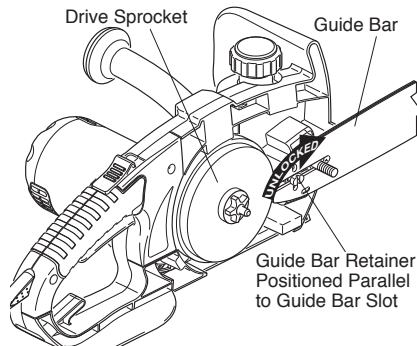
## ASSEMBLY

**Note:** Some models are pre-assembled. Assembly is not needed on these models. See *Saw Chain Tension Adjustment*

**⚠ WARNING: Cutting edges on chain are sharp. Use protective gloves when handling chain.**

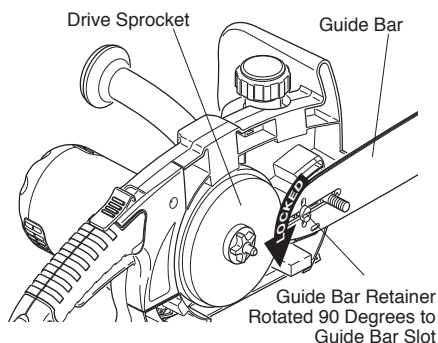
**IMPORTANT: Do not clamp chain saw in vise during assembly.**

1. Lay chain out flat.
2. Loosen and remove guide bar nut and sprocket cover.
3. Rotate guide bar retainer so that it is positioned parallel to guide bar slot (see Figure 2).
4. Install guide bar onto saw body. Assemble center slot of guide bar onto guide bar bolt and guide bar retainer. **Note:** Make sure the head of the guide bar retainer slides through the guide bar slot as shown in Figure 2.



**Figure 2 - Unlocking Guide Bar Retainer**

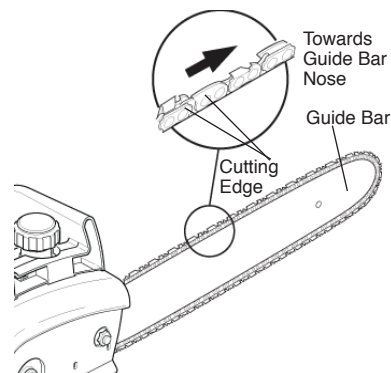
5. Rotate guide bar retainer 90 degrees as shown in Figure 3.



**Figure 3 - Locking Guide Bar Retainer**

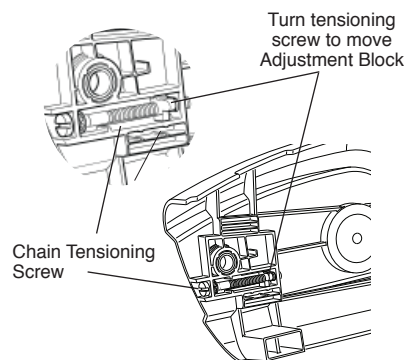
6. Place chain around drive sprocket, along top groove of guide bar, and around guide bar nose. **Note:** Make sure cutting edges of chain are facing in right direction. Position chain so cutting edges on top of guide bar face guide bar nose (see Figure 4 and indicator on side cover of saw).

**⚠ CAUTION: Do not place chain on saw backwards. If chain is backwards, saw will vibrate badly and will not cut.**



**Figure 4 - Saw Chain Direction**

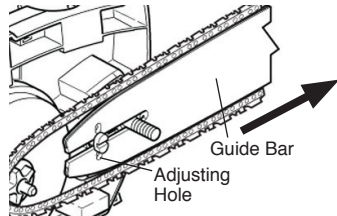
7. Before installing sprocket cover to saw body, turn the chain tensioning screw fully counter-clockwise until it stops. This will position the adjusting block towards the end of the chain tensioning screw. (See Figure 5)



**Figure 5 - Chain Tensioning Screw and Adjustment Block Location**

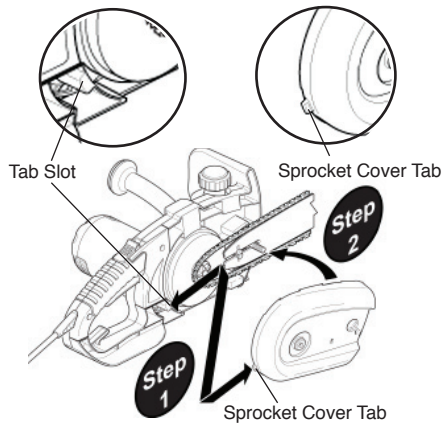
## ASSEMBLY

8. Pull the guide bar away from the saw body so that the guide bar is fully extended and the slack is removed from the chain. (See Figure 6)
10. Finger tighten the guide bar nut onto the guide bar bolt. (See Figure 8).

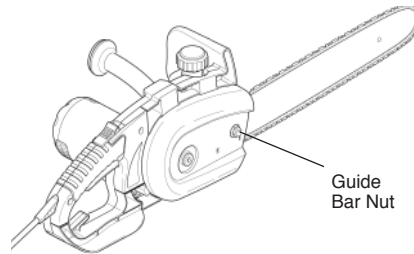


**Figure 6 - Pulling Guide Bar**

9. Insert the sprocket cover tab into the saw body tab slot, *Step 1*. Then lower sprocket cover onto guide bar bolt, *Step 2* (See Figure 7). **NOTE:** At this point the sprocket cover will not be flush against the saw body.



**Figure 7 - Installing Sprocket Cover**



**Figure 8 - Guide Bar Bolt**

11. Slowly slide guide bar into saw body until the adjustment block goes into the round adjusting hole on the guide bar. (See Figure 6) **NOTE:** This locks the guide bar in place. You should not be able to push or pull the guide bar.
12. Retighten the bar nut finger tight.
13. Adjust the saw chain tension. Follow the steps under *Saw Chain Tension Adjustment*.

ENGLISH

## SAW CHAIN TENSION ADJUSTMENT

**⚠ WARNING:** Unplug chain saw from power source before adjusting saw chain tension.

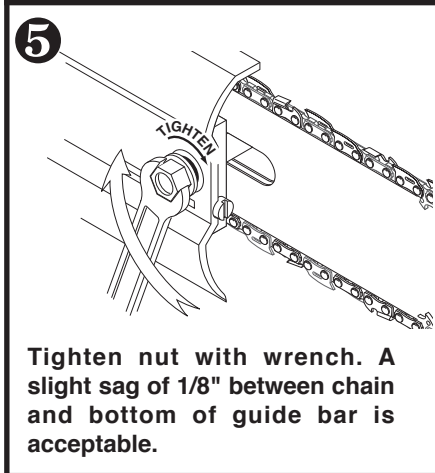
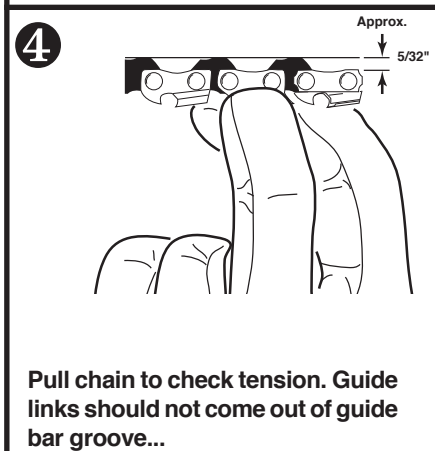
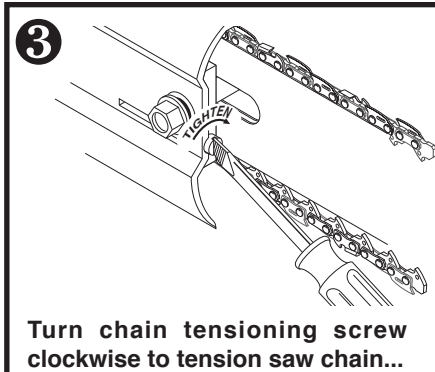
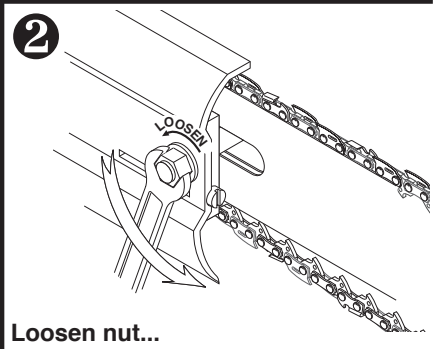
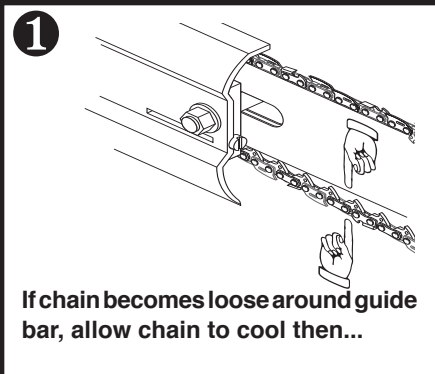
**⚠ WARNING:** Cutting edges on chain are sharp. Use protective gloves when handling chain.

**⚠ WARNING:** Maintain proper chain tension always. A loose chain will increase the risk of kickback. A loose chain may jump out of guide bar groove. This may injure operator and damage chain. A loose chain will cause chain, guide bar, and sprocket to wear rapidly.

### IMPORTANT!

Failure to follow these instructions when tensioning saw chain will damage saw and void the warranty. For additional information call 1-800-626-2237.

New saw chains will stretch. Check chain tension frequently when first used and tighten when chain becomes loose around guide bar.



## OPERATING CHAIN SAW

**⚠ WARNING:** Read and understand this owner's manual before operating this saw. Make certain you read and understand all *Important Safety Information*. Improper use of this chain saw can cause severe injury or death from fire, electrical shock, or body contact with moving chain, or falling wood.

### FILLING OIL TANK

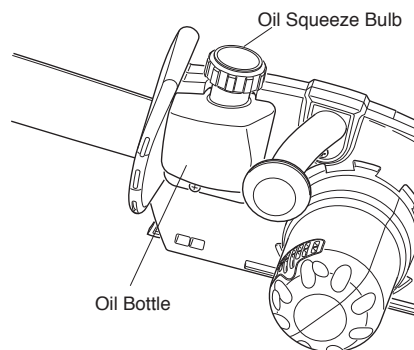
1. Remove oil cap.
2. Fill oil tank with SAE #30 motor oil. **Note:** For temperatures below 30°F, use SAE #10 oil. For temperatures above 75°F, use SAE #40 oil.  
**DO NOT** use standard bar and chain oil.
3. Replace oil cap at once. Tighten oil cap firmly for good seal. This will avoid oil seepage from cap.
4. Wipe off excess oil.

**Note:** It is normal for oil to seep when saw is not in use. It is necessary to empty oil tank after each use to prevent seepage.

### OILING CHAIN

#### Manual Oil System

Always check oil level before using saw. Do not attempt to operate the oil system while saw is in operation. To oil chain, press squeeze bulb. Oil will feed onto the guide bar and chain. Press squeeze bulb at least once before each cut. Check oil level often by looking at oil level through side of oil bottle (see Figure 9).



**Figure 9 - Oil Squeeze Bulb and Oil Bottle Location**

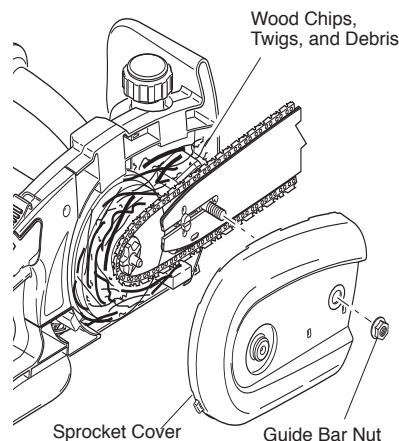
### CLEARING SPROCKET COVER OF DEBRIS

While operating the chain saw, wood chips, small twigs, and other debris can occasionally build up inside the sprocket cover. To properly maintain the saw and keep it in good working order, periodic removal of this debris may be required. To properly clear debris from the sprocket cover:

1. Unplug chain saw.
2. Loosen and remove guide bar nut (see Figure 10).
3. Turn chain tensioning screw counterclockwise to loosen chain until sprocket cover is easily removed.
4. After sprocket cover is removed, clear all chips, twigs, and debris.

**⚠ WARNING:** Use caution when clearing debris that is around chain. Cutting edges on chain are sharp. Use protective gloves when working around or handling chain.

5. Once debris has been removed, follow steps 7 through 13 on pages 9 and 10 in the *Assembly* section to re-assemble the sprocket cover to the chain saw.



**Figure 10 - Removing and Clearing Sprocket Cover of Debris**

ENGLISH

## EXTENSION CORDS

Use proper extension cords with this saw. Use only extension cords marked for outdoor use. The cord must be marked with suffix W or W-A following the cord type designation. **Example:** SJTW-A or SJTW.

Use proper sized cord with this saw. Cord must be heavy enough to carry current needed. An undersized cord will cause voltage drop at saw. Saw will lose power and overheat. Follow cord size requirements listed below.

Cord Length	AWG Cord Size
25 feet	16 AWG
50 feet	16 AWG
100 feet	16 AWG
150 feet	14 AWG

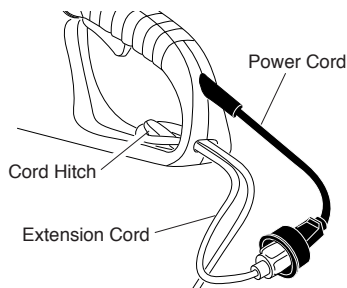
**Models:** M15012US, M15014AS

Cord Length	AWG Cord Size
25 feet	16 AWG
50 feet	16 AWG
100 feet	14 AWG
150 feet	12 AWG

**Models:** M30016US, M30016AS, M30016AW, M35016AW

Keep cord away from cutting area. Make sure cord does not catch on branches or logs during cutting. Inspect cords often. Replace damaged cords.

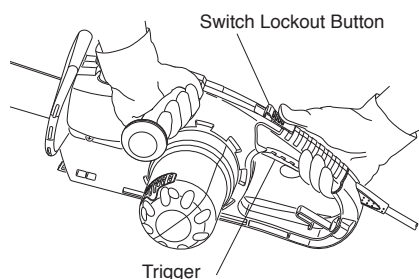
This chain saw is designed with an extension cord hitch that prevents the extension cord from being pulled loose during use. To use, form a loop with the end of the extension cord, insert loop into slot in rear of handle, and place loop over cord hitch (see Figure 11). Gently pull loop against cord hitch until slack is removed. Plug extension cord into chain saw cord.



**Figure 11 - Looping Extension Cord over Cord Hitch**

## CUTTING WITH THE CHAIN SAW

1. Connect saw to extension cord. Connect extension cord to power supply.
2. Make sure section of log to be cut is not laying on ground. This will keep chain from touching ground as it cuts through log. Touching ground with moving chain will dull chain.
3. Use both hands to grip saw. Always use left hand to grip front handle and right hand to grip rear handle. Use firm grip. Thumbs and fingers must wrap around saw handles (see Figure 12).
4. Make sure your footing is firm. Keep feet apart. Divide your weight evenly on both feet.
5. When ready to make a cut, push the lockout button completely forward with the right thumb and squeeze the trigger (see Figure 12). This will turn saw on. Releasing trigger will turn saw off. Make sure saw is running at full speed before starting a cut.
6. When starting a cut, place moving chain against wood. Hold saw firmly in place to avoid possible bouncing or skating (sideways movement) of saw.
7. Guide saw using light pressure. Do not force saw. The motor will overload and can burn out. It will do the job better and safer at the rate for which it was intended.
8. Remove saw from a cut with saw running at full speed. Stop saw by releasing trigger. Make sure chain has stopped before setting saw down.
9. Practice until you can maintain a steady, even cutting rate.



**Figure 12 - Lockout Button and Trigger Location**

## OPERATING CHAIN SAW

### FELLING A TREE (Cutting Down a Tree)



#### WARNING:

- **Avoid kickback.** Kickback can result in severe injury or death. See *Kickback* to avoid risk of kickback.
- **Do not fell a tree without ample skill or expert help.**
- **Keep children, animals, and bystanders away from area when felling a tree.**
- **If two or more persons perform bucking and felling operations at the same time, provide ample distance between operations. Provide distance of at least twice the height of tree being felled.**



**WARNING:** When felling a tree, be aware of your surroundings. Do not endanger any person, strike utility lines, or cause property damage. If tree strikes utility lines, contact utility company at once.

Felling is the process of cutting down a tree. Make sure your footing is firm. Keep feet apart. Divide your weight evenly on both feet. Follow directions below to fell a tree.

#### Before Felling a Tree

1. Before felling, inspect tree. Make sure there are no dead limbs or branches that may fall on you. Study natural lean of tree, location of larger branches, and wind direction. This will help you judge which way tree will fall.
2. Clear work area around tree.
3. Plan and clear a retreat path before felling. Make retreat path opposite to planned direction of fall of tree and at 45° angle (see Figure 13).

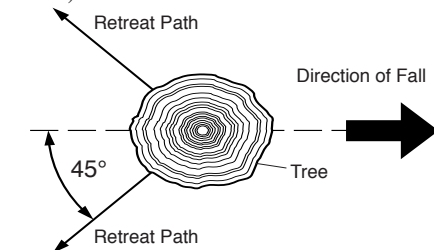


Figure 13 - Retreat Path From Tree

4. Remove dirt, stones, loose bark, nails, staples, and wire from tree where you will make felling cuts.
5. Stay on uphill side when felling tree. Tree could roll or slide downhill after falling.

#### Felling Procedure

##### A) Felling Notch

A properly placed felling notch will determine direction tree will fall. Place felling notch on side of tree in direction you want tree to fall (see Figure 14). Follow directions below to create a felling notch.

1. Make lower notch cut as close to ground as possible. Hold saw so guide bar is horizontal. Cut 1/3 the diameter of tree trunk (see Figure 14). **Note:** Always make this horizontal lower notch cut first. If you make this cut second, tree can pinch chain or guide bar.
2. Start upper notch cut the same distance above first cut as first cut is deep.

**Example:** If lower notch cut is eight inches deep, start upper notch cut eight inches above it. Cut downward at 45° angle. The upper notch cut should meet end of lower notch cut (see Figure 14).

3. Remove tree trunk wedge created by notching cuts.



**WARNING:** Do not cut all the way through tree. Leave about two inches of tree diameter uncut directly behind felling notch (see Figure 14). This uncut portion acts as a hinge. The hinge helps keep tree from twisting and falling in wrong direction.

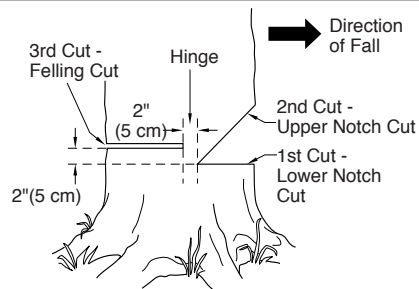


Figure 14 - Felling A Tree

##### B) Felling Cut

1. Make felling cut two inches higher than lower notch cut and on opposite side of tree (see Figure 14). Keep felling cut parallel to lower notch cut.

ENGLISH

## OPERATING CHAIN SAW

- Cut towards notch.
- As felling cut nears hinge, tree should begin to fall.  
**Note:** If needed, drive wedges into felling cut to control direction of fall. If tree settles back and pinches chain, drive wedges into felling cut to remove saw. Only use wedges made of wood, plastic, or aluminum. Never use wedge made of steel. This could cause kickback and damage to chain.
- When tree begins to fall, quickly
  - remove saw from felling cut
  - release trigger to turn saw off
  - put saw down
  - exit area using retreat path

**⚠ WARNING:** Be alert for falling overhead limbs. Watch your footing while exiting area.

### LIMBING A TREE

**⚠ WARNING:** Avoid kickback. Kickback can result in severe injury or death. See *Kickback* to avoid risk of kickback.

**⚠ WARNING:** When cutting limb that is under tension, use extreme caution. Be alert for wood springing back. When wood tension is released, limb could spring back and strike operator causing severe injury or death.

Limbing is removing branches from a fallen tree. Make sure your footing is firm. Keep feet apart. Divide your weight evenly on both feet. Do not remove larger limbs under tree that support log off ground. Remove each limb with one cut (see Figure 15). Clear cut limbs from work area often. This will help maintain a safe work area.

Make sure you start your cut where limb will not pinch saw during cutting. To avoid pinching, start cut on freely hanging limbs from above limb. Start cut on limbs under tension from under limb. If pinch occurs, turn saw off, lift limb, and remove saw.



Figure 15 - Limbing A Tree

### BUCKING A LOG

**⚠ WARNING:** Avoid kickback. Kickback can result in severe injury or death. See *Kickback* to avoid risk of kickback.

- ⚠ WARNING:**
- If on slope, make sure log will not roll down hill. Secure log by using wooden stakes. Drive wooden stakes into ground on downhill side of log. Stand on uphill side of log while cutting. Log may roll after cutting.
  - Never try cutting through two logs at same time. This could increase the risk of kickback.
  - While cutting log, never hold log with your hand, leg, or foot.
  - While cutting log, never allow another person to hold log.
  - Turn off and unplug saw before moving from one place to another.

Bucking a log is cutting a log into sections. Make sure your footing is firm. Keep feet apart. Divide your weight evenly on both feet. When possible, raise log or section off ground. Do this by using limbs, logs, chocks, etc.

When cutting through log, maintain control by reducing cutting pressure near end of cut. Do not relax your grip on chain saw handles. Do not let moving chain touch ground. Ground will dull moving chain. After cutting through log, release trigger to turn saw off before moving saw.

Follow directions below to buck a log.

#### Entire Length Of Log On Ground

Cut log from top (see Figure 16).

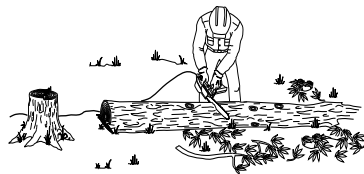


Figure 16 - Bucking Log With Entire Length On Ground



## OPERATING CHAIN SAW

### Log Supported On One End

1. Make first cut on underside of log (see Figure 17). Use top of guide bar to make this cut. Cut 1/3 through diameter of log. This cut will keep section from splintering when cut.
2. Make second cut directly above first cut. Cut down to meet first cut. This cut will keep log from pinching guide bar and chain.

### Log Supported On Both Ends

1. Make first cut from above log (see Figure 18). Cut 1/3 through diameter of log. This cut will keep section from splintering when cut.
2. Make second cut on underside of log, directly under first cut. Use top of guide bar to make this cut. Cut up to meet first cut. This will keep log from pinching guide bar and chain.

**⚠ WARNING: Do not operate chain saw while**

- in a tree
- on a ladder or any other unstable surface
- in any awkward position

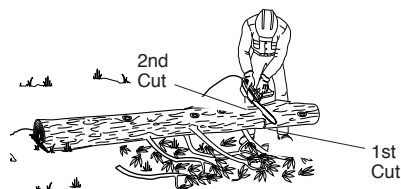
**You may lose control of saw causing severe injury.**

**⚠ WARNING: Do not cut limbs higher than your shoulders.**

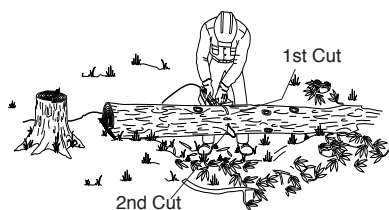
**⚠ CAUTION: Seek professional help if facing conditions beyond your ability.**

### TRIMMING A TREE (Pruning)

**⚠ WARNING: Avoid kickback. Kickback can result in severe injury or death. See Kickback to avoid risk of kickback.**



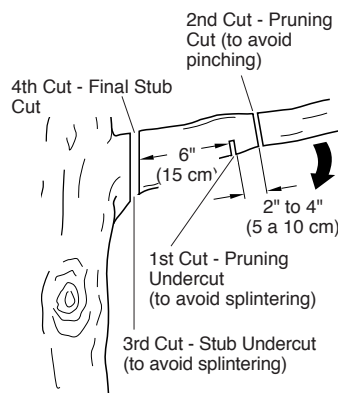
**Figure 17 - Bucking Log When Log Is Supported On One End**



**Figure 18 - Bucking Log When Log Is Supported On Both Ends**

Trimming a tree is the process of cutting limbs from a living tree. Make sure your footing is firm. Keep feet apart. Divide your weight evenly on both feet. Follow directions below to trim a tree.

1. Make first cut six inches from tree trunk on underside of limb. Use top of guide bar to make this cut. Cut 1/3 through diameter of limb (see Figure 19).
2. Move two to four inches farther out on limb. Make second cut from above limb. Continue cut until you cut limb off.
3. Make third cut as close to tree trunk as possible on underside of limb stub. Use top of guide bar to make this cut. Cut 1/3 through diameter of stub.
4. Make fourth cut directly above third cut. Cut down to meet third cut. This will remove limb stub.



**Figure 19 - Cutting A Limb**

## CLEANING AND MAINTENANCE

**NOTICE:** Below are instructions for servicing your chain saw. Any servicing not mentioned below should be done by an authorized service center.

### CLEANING SAW BODY

**⚠ WARNING:** Unplug chain saw from power source before servicing. Severe injury or death could occur from electrical shock or body contact with moving chain.

**⚠ WARNING:** Cutting edges on chain are sharp. Use protective gloves when handling chain.

**⚠ WARNING:** When cleaning saw body,

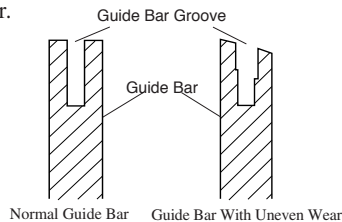
- do not submerge saw in any liquids
- do not use products that contain ammonia, chlorine, or abrasives
- do not use chlorinated cleaning solvents, carbon tetrachloride, kerosene, or gasoline

Keep saw body clean. Use a soft cloth dampened with a mild soap and water mixture. Wipe saw body to clean.

### CARE OF GUIDE BAR

Uneven bar wear causes most guide bar problems. Incorrect sharpening of chain cutter and depth gauge settings often cause this. When bar wears unevenly, it widens guide bar groove (see Figure 20). This causes chain clatter and rivet popping. Saw will not cut straight. Replace guide bar if this occurs.

Inspect guide bar before sharpening chain. A worn or damaged guide bar is unsafe. A worn or damaged guide bar will damage chain. It will also make cutting harder.



**Figure 20 - Guide Bar Cross Section Showing Uneven Bar Wear**

### Normal Guide Bar Maintenance

1. Remove guide bar from chain saw.
2. Remove sawdust from guide bar groove periodically. Use putty knife or wire (see Figure 21).
3. Clean oil slots after each day of use.
4. Remove burrs from sides of guide bar. Use flat file to make side edges square.

Replace guide bar when

- bar is bent or cracked
- inside groove of bar is badly worn

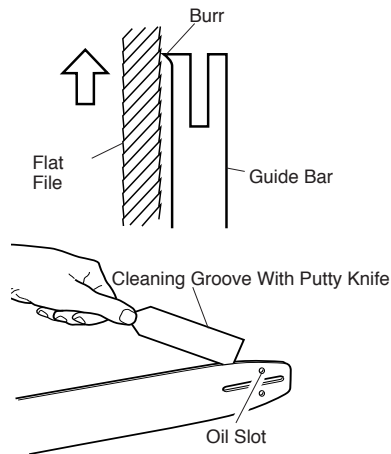
**Note:** When replacing guide bar, see *Replacement Parts and Accessories* for proper bar.

### SHARPENING SAW CHAIN

**⚠ WARNING:** Unplug chain saw from power source before servicing. Severe injury or death could occur from electrical shock or body contact with moving chain.

**⚠ WARNING:** Cutting edges on chain are sharp. Use protective gloves when handling chain.

Keep chain sharp. Your saw will cut faster and more safely. A dull chain will cause undue sprocket, guide bar, chain, and motor wear. If you must force chain into wood and cutting creates only sawdust with few large chips, chain is dull.



**Figure 21 - Guide Bar Maintenance**

## CLEANING AND MAINTENANCE

### Items Needed to Sharpen Chain

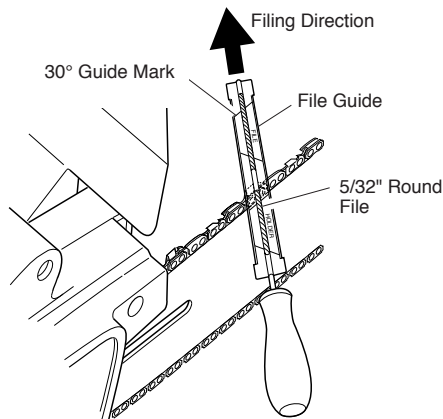
Purchase these items from your local dealer, hardware store, or chain saw supplies outlet.

- 5/32" round file
- Depth gauge tool
- File guide
- Vise
- Medium sized flat file

### Sharpening Cutters

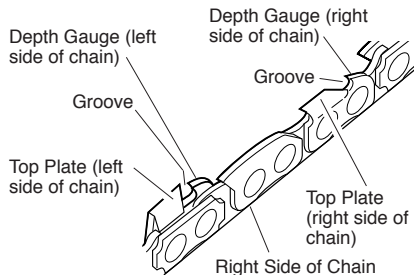
Use file guide for 30° filing.

1. Adjust chain for proper tension (see *Saw Chain Tension Adjustment*).
2. Clamp guide bar in vise to hold saw steady. **Note:** Do not clamp chain.
3. Press 5/32" round file (attached to file guide) into groove between top plate and depth gauge on chain. File guide should rest on both top plate and depth gauge (see Figure 23). **Note:** File at midpoint of guide bar.



**Note:** This illustration shows file guide placement and filing direction for sharpening cutters on left side of chain.

**Figure 22 - File and File Guide Placement On Chain**



**Figure 23 - Chain Part Locations**

4. Hold file guide level. Make sure 30° mark on file guide is parallel to center of guide bar (see Figure 22). This will insure that you file cutters at 30° angle.
5. File from inside towards outside of cutter until sharp. Only file in this one direction (see Figure 22). **Note:** Two or three strokes with file should sharpen cutter.
6. After each cutter is sharpened, move chain forward to sharpen next cutter. File all cutters on one side of chain.
7. Move to other side of chain and repeat process.

### Filing Cutter Depth Gauges

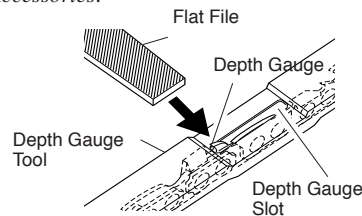
The cutter depth gauge clearance is reduced as cutters are sharpened. After every second or third sharpening, reset cutter depth gauges.

1. Place depth gauge tool (.025") firmly across top of two cutters. Make sure depth gauge enters slot in depth gauge tool (see Figure 24).
2. Use medium flat file. File depth gauge level with depth gauge tool.
3. Remove depth gauge tool. With flat file, round off front corner of cutter depth gauge (see Figure 25).

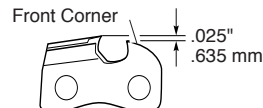
After several hand filings, have authorized service center or sharpening service machine sharpen chain. This will insure even filing.

### Replacing Saw Chain

Replace chain when cutters are too worn to sharpen or when chain breaks. Only use replacement chain noted in this manual. Always include new drive sprocket when replacing chain. This will maintain proper driving of chain. **Note:** For proper chain and drive sprocket, see *Replacement Parts and Accessories*.



**Figure 24 - Depth Gauge Tool On Chain**



**Figure 25 - Round Off Front Corner Of Depth Gauge**

---

## REPLACEMENT CHAINS

Replacement saw chains may be available at your local hardware or home improvement store.

The following list gives the specifications for replacement chains.

All chains will be .050 gauge, 3/8 pitch.

- 10" chains have 42 drive links
- 12" chains have 48 drive links
- 14" chains have 52 drive links
- 16" chains have 58 drive links


You may also order the replacement saw chains from the "Online Outlet" at [www.remingtonpowertools.com](http://www.remingtonpowertools.com) using the part number listed in the illustrated parts list on pages 72-73 of this manual.

## STORAGE

If storing saw for more than 30 days, follow steps below.

1. Drain oil tank after **each** use.
2. Remove and clean guide bar and chain. Clean guide bar and chain by soaking in petroleum based solvent or mild soap and water mixture.
3. Dry guide bar and chain.
4. Place chain in container filled with oil. This will prevent rust.
5. Wipe a thin coating of oil over surface of guide bar.
6. Wipe off outside of saw body. Do this with soft cloth dampened with a mild soap and water mixture.
7. Store chain saw
  - in a high or locked place, out of children's reach
  - in a dry place

## REPLACEMENT PARTS AND ACCESSORIES

 **WARNING: Use only replacement parts and accessories described in this manual. Use of other parts or accessories could damage saw or injure operator.**

For original replacement parts and accessories, contact your nearest Authorized Dealer or Authorized Service Center for this product. If they can not supply the part or accessory, contact your nearest Parts Central listed on page 74. Each Authorized Dealer, Authorized Service Center, and Parts Central is independently owned and operated. You may also order parts from the "Online Outlet" at [www.remingtonpowertools.com](http://www.remingtonpowertools.com).

See pages 72 through 73 for an Illustrated Parts List.

If you need additional referral information, contact our Technical Service Department (see *Technical Service*).

In Canada call 1-800-561-3372 for parts and service information.

## REPAIR SERVICE

**Note:** Only use original replacement parts. This will protect your warranty coverage for parts replaced under warranty.

Each Authorized Service Center is independently owned and operated.

### Warranty Service

If product requires warranty service, return it to nearest Authorized Service Center. You must show proof of purchase. If faulty materials or workmanship caused damage, we will repair or replace product without charge. **Note:** Normal wear, misuse, abuse, neglect, or accidental damage is not covered under warranty.

### Non-Warranty Service

If product requires service, return it to nearest Authorized Service Center. Repairs will be billed to you at regular repair list prices.

For additional Service Center or warranty information, call 1-800-626-2237 or visit our Technical Service web site at [www.remingtonpowertools.com](http://www.remingtonpowertools.com).

## TROUBLESHOOTING

**Note:** For additional help, visit DESA Power Tools technical service web site at [www.remingtonpowertools.com](http://www.remingtonpowertools.com).

**⚠ WARNING: Unplug chain saw from power source before servicing. Severe injury or death could occur from electrical shock or body contact with moving chain.**

ENGLISH

OBSERVED FAULT	POSSIBLE CAUSE	REMEDY
Saw runs, but does not cut	Chain assembled backwards on guide bar	See Assembly
Saw does not cut unless heavily forced. Cutting produces only sawdust with few large chips	Chain is dull	See Sharpening Saw Chain
Saw runs slow. Saw stalls easily	Low power supply voltage	Extension cord wire size too small. See Extension Cords.
Motor of saw does not run when you squeeze trigger	<ol style="list-style-type: none"> <li>1. Switch lockout not pushed forward in to release trigger</li> <li>2. Extension cord connections loose</li> <li>3. Open line fuse or circuit breaker</li> <li>4. Worn out motor brushes</li> <li>5. Open wiring circuit on saw</li> </ol>	<ol style="list-style-type: none"> <li>1. Push switch lockout forward before squeezing trigger</li> <li>2. Check cord connections</li> <li>3. Check line fuse or circuit breaker</li> <li>4. See authorized service center</li> <li>5. See authorized service center</li> </ol>
Motor of saw runs, but chain does not move	Gear Sprocket	Remove and inspect gear sprocket for damage
Chain does not get oil	<ol style="list-style-type: none"> <li>1. Clogged oil slot in guide bar</li> <li>2. Oil is too thick</li> </ol>	<ol style="list-style-type: none"> <li>1. Remove guide bar and clean oil slot</li> <li>2. Use correct weight of oil. See Filling Oil Tank</li> </ol>
Chain comes off guide bar	<ol style="list-style-type: none"> <li>1. Chain is loose</li> <li>2. Guide bar and chain not assembled correctly</li> </ol>	<ol style="list-style-type: none"> <li>1. Tighten chain. See Saw Chain Tension Adjustment</li> <li>2. See Assembly</li> </ol>
Saw smokes	Saw damaged. Do not use saw	See authorized service center
Saw leaks oil	It is normal for oil to seep when the saw is not in use.	Tighten oil cap. <b>Note: Empty oil tank when not in use.</b>

### TECHNICAL SERVICE

You may have further questions about assembling, operating, or maintaining this product. If so, you can visit our Technical Service web site at [www.remingtonpowertools.com](http://www.remingtonpowertools.com) or contact our Technical Service Department at 1-800-626-2237 (English Only). You may also write to:

DESA Power Tools  
ATTN: Technical Service  
P.O. Box 90004  
Bowling Green, KY 42102-9004

When contacting DESA Power Tools, have ready

- Your Name
- Your Address
- Your Phone Number
- Model Number of Product
- Date of Purchase (Include copy of receipt for written requests).

We reserve the right to amend these specifications at any time without notice. The only warranty applicable is our standard written warranty. We make no other warranty expressed or implied.

## WARRANTY INFORMATION

### REMINGTON BRAND ELECTRIC CHAIN SAW LIMITED WARRANTIES

#### NEW PRODUCTS

##### **Standard Warranty**

DESA Power Tools warrants this new product and any parts thereof to be free from defects in material and workmanship for a period of one (1) year from the date of first purchase from an authorized dealer provided the product has been maintained and operated in accordance with DESA Power Tools' warnings and instructions.

#### FACTORY RECONDITIONED PRODUCTS

##### **Limited Warranty**

DESA Power Tools warrants factory reconditioned products and any parts thereof to be free from defects in material and workmanship for 90 days from the date of first purchase from an authorized dealer provided the product has been installed, maintained and operated in accordance with DESA Power Tools' warnings and instructions.

#### TERMS COMMON TO ALL WARRANTIES

The following terms apply to all of the above warranties:

- Always specify model number when contacting the manufacturer. To make a claim under this warranty the bill of sale or other proof of purchase must be presented.
- This warranty is extended only to the original retail purchaser when purchased from an authorized dealer.
- This warranty covers the cost of part(s) required to restore this product to proper operating condition and an allowance for labor when provided by a DESA Power Tools Authorized Service Center. Warranty parts must be obtained through authorized dealers of this product and/or DESA Power Tools who will provide original factory replacement parts. Failure to use original factory replacement parts voids this warranty.
- Travel, handling, transportation, diagnostic, material, labor and incidental costs associated with warranty repairs, unless expressly covered by this warranty, are not reimbursable under this warranty and are the responsibility of the owner.
- Excluded from this warranty are products or parts that fail or become damaged due to misuse, accidents, lack of proper maintenance, tampering, or alterations.
- Excluded from this warranty are products purchased for commercial, industrial or rental usage.
- This is DESA Power Tools' exclusive warranty, and to the full extent allowed by law; this express warranty excludes any and all other warranties, express or implied, written or verbal and limits the duration of any and all implied warranties, including warranties of merchantability and fitness for a particular purpose to one (1) year on new products and 90 days on factory reconditioned products from the date of first purchase. DESA Power Tools makes no other warranties regarding this product.
- DESA Power Tools' liability is limited to the purchase price of the product, and DESA Power Tools shall not be liable for any other damages whatsoever under any circumstances including indirect, incidental, or consequential damages.
- Some states do not allow limitations on how long an implied warranty lasts or the exclusion or limitation of incidental or consequential damages, so the above limitation or exclusion may not apply to you.
- This warranty gives you specific legal rights, and you may also have other rights which vary from state to state.

For information about this warranty contact:

Model \_\_\_\_\_

Date Purchased \_\_\_\_\_



Bowling Green, KY 42102-9004  
800-626-2237 (English Only)  
www.remingtonpowertools.com



Industries of Canada, Inc.  
82 Akron Road  
Toronto, Ontario  
M8W1T2  
416-255-5333  
Fax: 416-255-5677  
www.remingtonpowertools.com

# REMINGTON®

## SIERRA ELÉCTRICA MANUAL PARA EL USUARIO



ESPAÑOL

MODELOS: M15012US, M15014AS, M30016US, M30016AS,  
M30016AW, M35016AW

**IMPORTANTE:** Lea cuidadosamente este manual antes de armar u operar esta sierra eléctrica. El uso indebido de la misma puede provocar graves lesiones. Guarde este manual para consultarlo cuando lo necesite.

## EL CONTENIDO

<b>INFORMACIÓN IMPORTANTE DE SEGURIDAD.....</b>	<b>25</b>
Antes de utilizar la sierra .....	25
Al utilizar la sierra .....	25
Contragolpes .....	26
Mantenimiento y almacenamiento de su sierra eléctrica .....	28
<b>DESEMBALAJE .....</b>	<b>28</b>
<b>IDENTIFICACIÓN DEL PRODUCTO.....</b>	<b>29</b>
<b>TERMINOLOGÍA.....</b>	<b>30</b>
<b>GUÍA RÁPIDA DE ARRANQUE .....</b>	<b>31</b>
<b>ENSAMBLAJE.....</b>	<b>32</b>
<b>AJUSTE DE TENSIÓN DE LA CADENA SERRADA.....</b>	<b>34</b>
<b>USO DE LA SIERRA ELÉCTRICA .....</b>	<b>35</b>
Lubricación .....	35
Lubricación de la cadena .....	35
Remoción de restos de la tapa de la rueda dentada.....	35
Cables de prolongación.....	36
Realización de cortes .....	36
Tala de un árbol (Derribamiento de un árbol).....	37
Desmembramiento de un árbol .....	38
Trozado de un tronco .....	39
Poda de un árbol .....	40
<b>LIMPIEZA Y MANTENIMIENTO .....</b>	<b>41</b>
Limpieza del cabezal.....	41
Cuidado de la barra de guía.....	41
Afilado de la cadena.....	42
Recambio de la cadena serrada .....	43
<b>ALMACENAMIENTO .....</b>	<b>43</b>
<b>SERVICIO TÉCNICO .....</b>	<b>44</b>
<b>ACCESORIOS Y PIEZAS DE REPUESTO .....</b>	<b>44</b>
<b>SERVICIO DE REPARACIÓN .....</b>	<b>44</b>
Servicio con garantía.....	44
Servicio sin garantía.....	44
<b>DIAGNÓSTICO Y RESOLUCIÓN DE PROBLEMAS.....</b>	<b>45</b>
<b>INFORMACIÓN DE GARANTÍA.....</b>	<b>46</b>
<b>DESGLOSE ILUSTRADO DE PARTES .....</b>	<b>72</b>
<b>CENTRAL DE PIEZAS .....</b>	<b>74</b>



## INFORMACIÓN IMPORTANTE DE SEGURIDAD

**⚠️ ADVERTENCIA:** Al utilizar una sierra eléctrica, deben seguirse siempre las precauciones de seguridad básicas para reducir el riesgo de incendios, choque eléctrico y lesiones a personas, incluyendo las siguientes:

**LEA TODAS LAS INSTRUCCIONES.** Asegúrese de leer y comprender completamente todas las instrucciones en *Información Importante De Seguridad*. El uso indebido de esta sierra eléctrica puede provocar lesiones graves (y aun la muerte) a causa de incendio, shock eléctrico, el contacto del cuerpo con la cadena en movimiento o la caída de un trozo de árbol.

### ANTES DE UTILIZAR LA SIERRA

1. Lea detenidamente este manual para el usuario antes de utilizar la sierra eléctrica.
2. Proceda con cautela. Utilice el sentido común. No utilice la sierra cuando se sienta cansado.
3. Utilice la sierra sólo para cortar madera. No la utilice con fines para los que no ha sido diseñada. No la utilice para cortar plásticos, mampostería, etc.
4. Sólo un adulto bien instruido debe utilizar la sierra. Nunca permita que sea utilizada por niños.
5. Utilice sólo el voltaje eléctrico indicado en la placa del modelo de la sierra.
6. Utilice sólo cables de prolongación diseñados para el aire libre. Consulte para conocer los requisitos del *Cable de Prolongación*.
7. No utilice la sierra
  - cuando se encuentre bajo la influencia de alcohol, medicamentos o drogas;
  - bajo la lluvia o en áreas húmedas o mojadas;
  - en presencia de líquidos o gases altamente inflamables;
  - cuando ésta se encuentre dañada, mal ajustada o armada de manera incompleta e insegura;
  - si no es posible encenderla y apagarla mediante el gatillo. La cadena debe dejar de moverse al soltar el gatillo. Si el interruptor se encuentra defectuoso, hágalo reemplazar en un centro de servicios autorizado (consulte *Servicio Técnico*).
  - cuando tenga prisa;

- cuando esté arriba de un árbol o sobre una escalera, a menos que se encuentre capacitado para hacerlo.
8. Al utilizar la sierra, lleve ropa ajustada. No utilice ropa ni lleve accesorios sueltos, ya que éstos pueden quedar atrapados en la cadena en movimiento.
  9. Utilice los siguientes elementos de seguridad para utilizar la sierra eléctrica:
    - guantes resistentes (utilice guantes de goma para trabajar al aire libre);
    - calzado resistente con suelas no resbaladizas;
    - protección ocular, tal como gafas de seguridad o una pantalla facial;
    - casco de seguridad;
    - orejeras o tapones para los oídos;
    - cubrecabellos, especialmente si tiene cabello largo;
    - máscara contra el polvo (el trabajar en zonas polvorientas).
  10. Antes de comenzar a cortar, asegúrese de contar con:
    - zona de trabajo limpia;
    - calzado firme;
    - camino de retirada para el momento de caída del árbol.
  11. Inspeccione el árbol antes de talarlo. Asegúrese de que no tenga ramas o vástagos secos que puedan caerle encima.
  12. Para reducir el riesgo de shock eléctrico, esta sierra tiene un enchufe polarizado (un conector es más ancho que el otro) y sólo entrará de una manera en un tomacorriente polarizado. Si el enchufe no entra completamente en el tomacorriente de su cable de prolongación, inviértalo. Si, aun así, tampoco entra, necesitará un cable de prolongación polarizado. No altere el enchufe de manera alguna.

### AL UTILIZAR LA SIERRA

1. Permanezca alerta. Utilice el sentido común.
2. Mantenga limpia el área de trabajo. Las áreas de trabajo sucias pueden provocar lesiones.
3. Tenga en cuenta la posición del cable de prolongación. Asegúrese de no tropezar sobre él. Manténgalo alejado de la sierra y del operario en todo momento.
4. Mantenga a los niños, animales y observadores alejados de la sierra y del cable de prolongación. Sólo el operario de la sierra debe permanecer en el área de trabajo.
5. No proceda a talar un árbol a menos que esté entrenado o que disponga de un asistente con experiencia.

ESPAÑOL

## INFORMACIÓN IMPORTANTE DE SEGURIDAD

- Si dos o más personas realizan tareas de tala y trozado al mismo tiempo, cerciórese de que haya una buena cantidad de espacio entre ellos. El espacio que separa a ambas personas debe ser por lo menos igual al doble de la altura del árbol que se está talando.
- Asegure la madera que se ha de cortar mediante mordazas o cuñas.
- Sujete la sierra firmemente con ambas manos. Nunca utilice la sierra con una sola mano. Nunca utilice el protector de mano a manera de mango.
- No coloque el dedo en el gatillo hasta que esté listo para realizar el corte.
- Antes de activar la sierra, asegúrese de que no se encuentre en contacto con nada.
- Para protegerse de un shock eléctrico, evite el contacto corporal con objetos conectados a tierra tales como caños, vallas, cercas y postes de metal.
- Mantenga todas las partes del cuerpo alejadas de la sierra mientras la cadena esté en movimiento.
- Al cortar, no aplique gran fuerza a la sierra. Para realizar el trabajo de manera más segura, mejor y en la cantidad de tiempo para la cual fue diseñada la sierra, basta aplicar una ligera presión sobre ella.
- Al cortar matorrales y plantas tiernas, proceda con cuidado. Los materiales finos pueden atascarse en la cadena y azotar contra su cuerpo o provocar que pierda el equilibrio.
- Proceda con sumo cuidado al cortar ramas o vástagos de árboles que se encuentran en tensión. Esté preparado para actuar en caso de contragolpe de la madera. Al liberarse la tensión de la madera, la rama puede moverse hacia el operario, golpearlo y provocarle lesiones graves y aun la muerte.
- Lleve la sierra eléctrica de un lugar a otro
  - con la cadena detenida y la sierra desenchufada;
  - tomándola por el mango anterior (nunca utilice el protector de mano a manera de mango);
  - con el dedo fuera del gatillo;
  - con la barra de guía y la cadena mirando hacia atrás.

**⚠ ADVERTENCIA:** Este producto contiene sustancias químicas conocidas en el estado de California como causas de cáncer o de defectos al recién nacido o de otros daños de reproducción.

**⚠ ADVERTENCIA:** El polvo causado cuando se usan herramientas motorizadas para lijar, cortar, esmerilar y taladra, a igual que otras actividades de construcción, contienen sustancias químicas conocidas (en el estado de California) como causantes de cáncer, defectos al recién nacido u otros daños a los órganos de reproducción. Algunos ejemplos de estas sustancias químicas son:

- plomo de las pinturas hechas a base de plomo
- sílice cristalina proveniente de ladrillos y cemento y de otros productos de albañilería
- arsénico y cromo provenientes de madera tratada con sustancias químicas

Su riesgo debido a la exposición a estos elementos varía de acuerdo a cuán a menudo realiza este tipo de trabajo. Para reducir su exposición a estas sustancias químicas: trabaje en una área bien ventilada y use el equipo de seguridad aprobado tales como aquellas mascarillas contra el polvo diseñadas en forma especial para filtrar las partículas microscópicas.

### CONTRAGOLPES

**⚠ ADVERTENCIA:** Los contragolpes pueden ocurrir cuando el extremo o la punta de la barra de guía toca un objeto o cuando la madera "se cierra" y presiona la cadena dentro del corte. En algunos casos, el contacto de la punta de la barra puede provocar una rápida reacción de contragolpe y conducir la barra de guía repentinamente hacia arriba y hacia atrás, en dirección al operario. La compresión de la cadena serrada contra la barra de guía puede lanzar la sierra rápidamente hacia atrás, también en dirección al operario. Cualquiera de estas reacciones puede hacer que el operario pierda el control de la sierra y provocarle lesiones graves.

## INFORMACIÓN IMPORTANTE DE SEGURIDAD

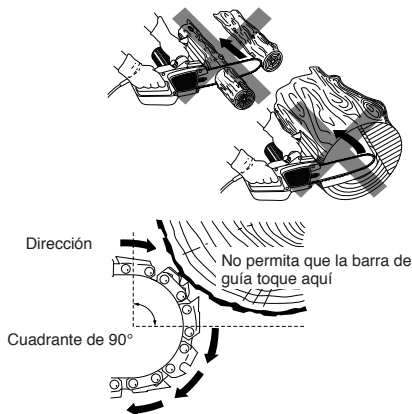
### Dispositivos de seguridad de esta sierra contra contragolpes

Esta sierra tiene una cadena de bajo contragolpe y una barra de guía de reducción de contragolpes. Ambas características reducen las probabilidades de contragolpe. Sin embargo, aún pueden ocurrir contragolpes con esta sierra.

Siga las instrucciones de *Ensamblaje*. No retire el protector de mano frontal. No lo reemplace con un sustituto.

Las siguientes medidas reducen el riesgo de contragolpe.

- Utilice ambas manos para sujetar la sierra mientras se encuentre en funcionamiento. Sujétela con firmeza; los mangos de la sierra deben quedar bien tomados en sus dedos.
- Mantenga todos los dispositivos de seguridad de la sierra en su lugar. Asegúrese de que funcionen correctamente.
- No se extienda por demás ni realice cortes por encima de la altura de sus hombros.
- Manténgase en posición firme y con buen equilibrio en todo momento.
- Permanezca ligeramente a la izquierda de la sierra. De esta manera, su cuerpo no estará directamente alineado con la cadena.



**Figura 1 - Ejemplo del peligro de contragolpe: No permita que el extremo de la barra de guía toque el objeto mientras la cadena está en movimiento**

- No permita que el extremo de la barra de guía toque nada mientras la cadena se halle en movimiento (vea la Figura 1).
- Nunca intente cortar dos troncos de una sola vez. Corte uno por vez.
- No hunda el extremo de la barra de guía ni intente realizar cortes "de punta" (perforando la madera utilizando el extremo de la barra de guía).
- Manténgase alerta a los cambios de posición de la madera y a otras fuerzas que pueden provocar presión sobre la cadena.
- Proceda con suma cautela al reingresar a un corte realizado previamente.
- Utilice la cadena y la barra de guía de contragolpe reducido suministrados con esta sierra. Reemplácelos exclusivamente con las cadenas y barras de guía enumeradas en este manual.
- Nunca utilice cadenas romas (desgastadas) o sueltas. Mantenga la cadena afilada y tensada.

### Mantenimiento de la cadena y seguridad contra contragolpes

Siga las instrucciones de mantenimiento de este manual. La limpieza correcta de la sierra y el mantenimiento adecuado de la cadena y la barra de guía pueden reducir las probabilidades de contragolpe. Después de cada uso, inspeccione su sierra y realice las tareas de mantenimiento necesarias. Esto prolongará la vida útil de la sierra. **Nota:** el riesgo de contragolpe puede incrementar cada vez que se afila la cadena, aun al afilarla debidamente.

ESPAÑOL

## INFORMACIÓN IMPORTANTE DE SEGURIDAD

---

### MANTENIMIENTO Y ALMACENAMIENTO DE SU SIERRA ELÉCTRICA

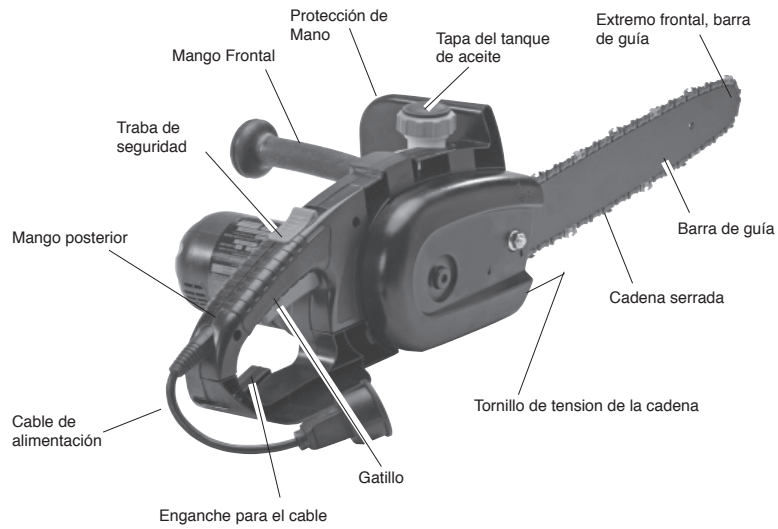
1. Desenchufe la sierra de la fuente de alimentación
  - cuando no se encuentre en uso;
  - antes de trasladarla de un lugar a otro;
  - antes de realizar tareas de servicio en ella;
  - antes de recambiar piezas o accesorios de la misma, tales como la cadena serrada y el protector.
2. Inspeccione la cadena serrada antes y después de cada uso. Inspeccione la sierra detenidamente si se daña el protector u otra parte. Compruebe que no presente daños que pueden afectar la seguridad del operario o de la herramienta en sí. Verifique la alineación y la articulación de las piezas móviles. Compruebe que no haya piezas rotas o dañadas. No utilice la sierra si presenta daños que afectan su funcionamiento o la seguridad del operario. Haga reparar los daños en un centro de servicios autorizado.
3. Cuide de su sierra eléctrica.
  - Nunca la exponga a la lluvia.
  - Mantenga la cadena afilada, limpia y lubricada para mayor rendimiento y seguridad.
  - Para afilar la cadena, siga los pasos delineados en este manual.
  - Mantenga los mangos siempre secos, limpios y sin aceite o grasa.
  - Mantenga ajustadas todas las tuercas y tornillos.
  - Inspeccione el cable de alimentación a menudo. Si se encuentra dañado, hágalo reparar en un centro de servicios autorizado.
  - Nunca acarree la sierra eléctrica llevándola del cable de alimentación.
  - Nunca tire del cable de alimentación para desenchufarlo.
  - Mantenga el cable de alimentación alejado del calor, el aceite y los bordes afilados.
  - Inspeccione los cables de prolongación con frecuencia; si están dañados, reemplácelos.
4. El realizar tareas de servicio, utilice sólo piezas de repuesto idénticas.
5. Cuando no utilice la sierra, guárdela
  - en un sitio alto o bajo llave, fuera del alcance de los niños;
  - en un lugar seco;
  - en un estuche o con la funda colocada sobre la barra de guía.

### DESEMBALAJE

1. Retire todos los elementos del embalaje.
2. Revise todos los artículos para ver si se han dañado durante su envío. Si encuentra algo dañado o algo que falta, llame a Technical Services al 1-800-626-2237 para recibir servicio rápido.

## GUARDE ESTAS INSTRUCCIONES

## IDENTIFICACIÓN DEL PRODUCTO



**Modelos: M15012US, M15014AS, M30016US, M30016AS**

ESPAÑOL



**Modelos: M30016AW, M35016AW**

## TERMINOLOGÍA

---

**Barra de guía** Barra de metal que se extiende hacia adelante desde el cabezal. La barra de guía sostiene y guía la cadena serrada.

**Barra de guía de contragolpe reducido** Barra de guía que reduce las probabilidades de contragolpe.

**Cabezal** La sierra eléctrica sin la cadena ni la barra de guía.

**Cadena de contragolpe reducido** Cadena que reduce las probabilidades de contragolpe según la norma ANSI B175.1.

**Cadena de repuesto** Cadena que satisface la norma ANSI B175.1 cuando se la utiliza con una sierra específica. Puede no satisfacer las exigencias de ANSI si se la utiliza con otras sierras.

**Cadena serrada (Cadena)** Una cadena cerrada que tiene eslabones dentados para cortar madera. El motor impulsa la cadena y la barra de guía la sostiene.

**Contragolpe** Movimiento rápido hacia arriba y hacia atrás de la barra de guía. Los contragolpes pueden producirse cuando el extremo de la barra de guía toca algún objeto mientras la cadena se halla en movimiento. La barra de guía se sacude hacia arriba y hacia atrás, en dirección al operario.

**Control de lubricación** Sistema para lubricar la cadena y la barra de guía.

**Corte de muesca** Corte de muesca en un árbol que sirve para dirigir su caída.

**Corte inferior** Un corte hacia arriba desde el lado inferior de un tronco o una rama. Se realiza adoptando la posición de corte normal, pero utilizando la parte superior de la barra de guía.

**Cuerpo de la unidad** Cuerpo principal de la sierra de cadena.

**Cuña** Se usa un bloqueo o una cuña para asegurar que la madera no se mueva.

**Desmembramiento** El proceso de cortar ramas de un árbol talado.

**Dientes de fijación** Protuberancias (“dientes”) que se hallan en la sección frontal cabezal, junto a la barra de guía. Mantenga estos dientes en contacto con la madera al talar o trozar, ya que esto contribuye a mantener la posición de la sierra al cortar.

**Extremo frontal de la barra de guía** La punta de la barra de guía.

**Gatillo** Dispositivo que enciende y apaga la sierra. Al oprimirlo, la sierra se enciende. Al soltarlo, se apaga.

**Interruptor** Dispositivo que cierra o interrumpe el circuito eléctrico del motor de la sierra.

**Mango anterior** Se encuentra en la parte frontal de la sierra.

**Mango posterior** El mango que se halla en la parte posterior del cabezal.

**Podar** El proceso de cortar ramas de un árbol con vida.

**Posición de corte normal** Postura utilizada al realizar cortes para talar un árbol.

**Protector de mano frontal** Escudo entre el mango frontal y la barra de guía. Protege la mano izquierda mientras se utiliza la sierra.

**Retenedor de la Barra Guía** Sujetador tipo perno que sostiene la barra guía en su sitio durante el ensamblaje y operación de la sierra de cadena.

**Retroceso (Contragolpe, Presión)** Retroceso rápido de la sierra eléctrica. Puede ocurrir si la parte de la cadena que se encuentra sobre la barra de guía queda presionada, atrapada o toca algún objeto extraño.

**Rueda dentada** Rueda dentada que impulsa la cadena.

**Tala final** El último corte que se realiza al talar un árbol. Debe realizarse del lado opuesto a las muescas.

**Talar** El proceso de cortar y derribar un árbol.

**Traba de seguridad** Dispositivo que impide el accionamiento accidental de la sierra.

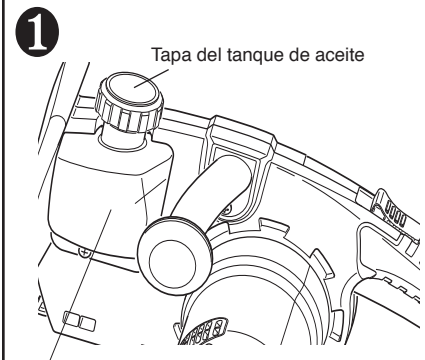
**Trozar** El proceso de cortar un árbol talado o un tronco en trozos.

**Vínculo con el interruptor** Este dispositivo conecta el interruptor con el gatillo. Al oprimirse el gatillo, este vínculo mueve el interruptor.

## GUÍA RÁPIDA DE ARRANQUE

Si está familiarizado con sierras de cadena (motosierras), su uso correcto, y la motosierra que usa está completamente ensamblada, use la *Guía Rápida de Arranque* para comenzar a usar lo más rápido su nueva motosierra Remington.

**1**

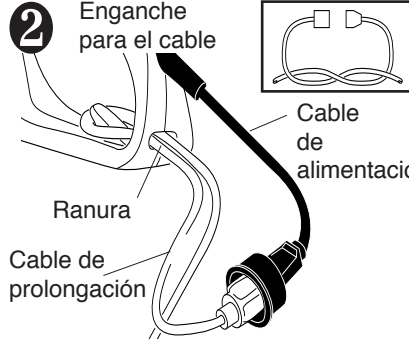


Tapa del tanque de aceite

Oil Bottle

Ponga aceite de motor (vea *Lubricación*, página 31, para el tipo correcto de aceite) en el tanque de aceite (no use el aceite estándar para barra y cadena). NO deje el aceite en el tanque cuando no lo use.

**2**



Enganche para el cable

Ranura

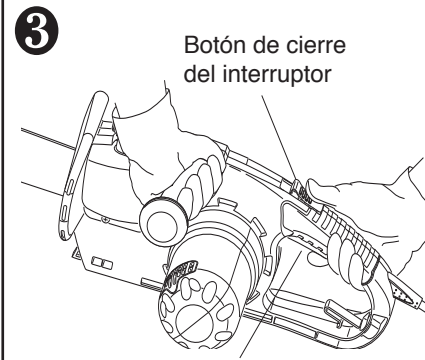
Cable de alimentación

Cable de prolongación

Conecte el cable de prolongación al cable de alimentación y a la fuente de alimentación. Use el enganche para cable incorporado o el método de nudo (dibujo insertado) para asegurarlos. Vea *Cables de Prolongación* para el tamaño correcto.

ESPAÑOL

**3**

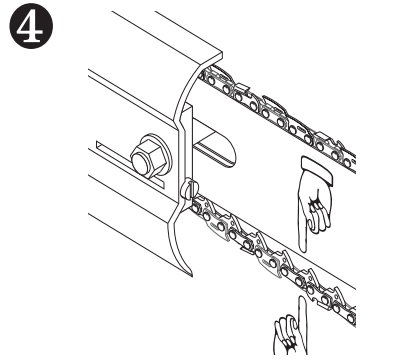


Botón de cierre del interruptor

Gatillo

Use ambas manos para agarrar la sierra eléctrica. Empuje el botón de cierre hacia adelante con el pulgar derecho y apriete el gatillo. Asegúrese que la sierra esté funcionando a toda velocidad antes de comenzar un corte.

**4**



Cuando la cadena se afloja debido a que se ha extendido, ténsala correctamente. Vea *Ajuste de Tensión de la Cadena Serrada* para la tensión correcta de la cadena serrada.



Para una completa información acerca de su sierra y su uso correcto, lea y entienda por completo este manual del usuario.

## ENSAMBLAJE

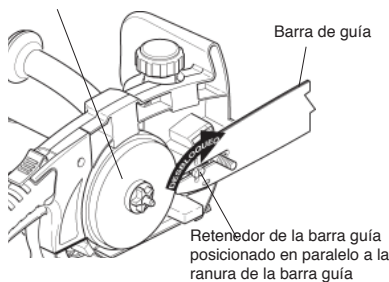
**Nota:** Algunos modelos se suministran previamente ensamblados. No es necesario realizar tareas de ensamblaje en estos modelos. Vea *Ajuste de Tensión de la Cadena Serrada*.

**⚠ ADVERTENCIA:** Los bordes de corte de la cadena son afilados. Al manipular la cadena, utilice guantes de protección.

**IMPORTANTE:** No coloque ni sujete la sierra eléctrica en una prensa para ensamblarla.

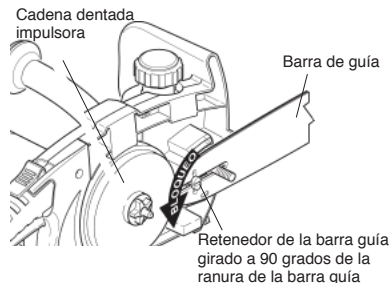
1. Estire la cadena sobre una superficie plana.
2. Afloje y quite la tuerca de la barra guía y la tapa de la rueda dentada.
3. Gire el retenedor de la barra guía de manera que esté posicionada en paralelo a la ranura de la barra guía (vea la Figura 2).
4. Instale la barra guía sobre el cuerpo de la sierra. Monte la ranura central de la barra guía sobre la tuerca y el retenedor de la barra guía. Nota: Asegúrese que el cabezal del retenedor de la barra guía se deslice por la ranura de la barra guía como se muestra en la Figura 2.

Cadena dentada impulsora



**Figura 2 - Desbloqueo del retenedor de la barra guía**

5. Gire el retenedor de la barra guía 90 grados como se muestra en la Figura 3.

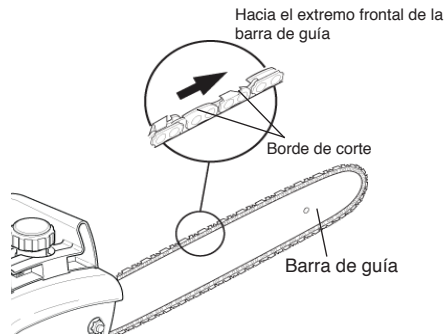


**Figura 3 - Bloqueo del retenedor de la barra guía**

[www.remingtonpowertools.com](http://www.remingtonpowertools.com)

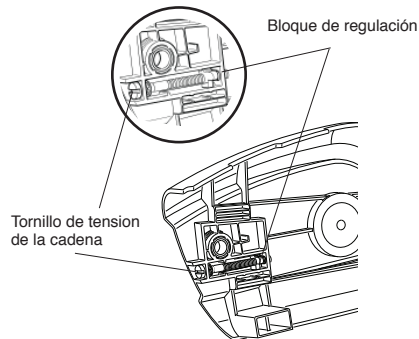
6. Coloque la cadena sobre la circunferencia de la rueda dentada, a lo largo de la ranura superior de la barra de guía y sobre el extremo de la misma. Nota: Asegúrese de disponer los bordes de corte de la cadena en la dirección correcta. Coloque la cadena de modo que los bordes de corte de la parte superior de la barra de guía miren hacia el extremo de la misma (vea la Figura 4 y el indicador que se encuentra en la cubierta lateral de la sierra).

**⚠ PRECAUCIÓN:** No ponga al revés la cadena sobre la sierra. Si la cadena está al revés, la sierra vibrará mucho y no cortará.



**Figura 4- Dirección de la sierra de cadena**

7. Avant de fixer le couvercle du pignon au corps de la tronçonneuse, faites tourner la vis de tensionnement de la chaîne dans le sens antihoraire, jusqu'au bout. Le bloc de réglage sera alors placé à l'extrémité de la vis de tensionnement de la chaîne (voir la Figure 5).



**Figura 5 - Ubicación del tornillo de tensión de la cadena y del bloque de regulación**



## ENSAMBLAJE

- Éloignez le guide-chaîne du corps de la tronçonneuse de sorte que le guide soit placé de façon à tendre la chaîne (voir la Figure 6).

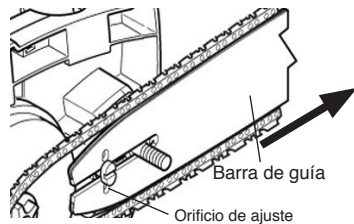


Figura 6 - Orificio de ajuste

- Insérez la languette du couvercle de pignon dans la rainure du corps de la tronçonneuse (étape 1). Placez ensuite le couvercle de pignon sur le boulon du guide-chaîne (étape 2 - voir la Figure 7). NOTE : Le couvercle de pignon n'est alors pas à effleurement avec le corps de la tronçonneuse.

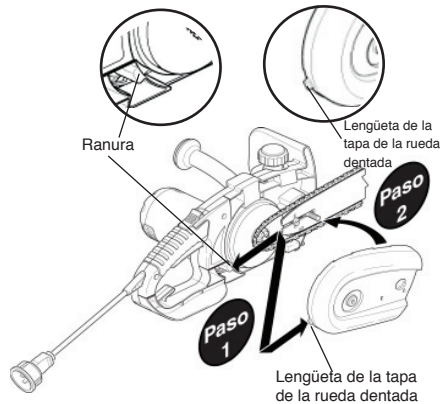


Figura 7- Instalación de la tapa de la rueda dentada

- Apriete a mano la tuerca de la barra guía en el perno de la barra (vea la figura 8).

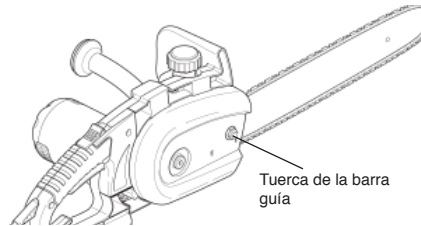


Figura 8- Éloignez le guide-chaîne

- Deslice lentamente la barra guía hacia el cuerpo de la sierra hasta que el bloque de regulación entre en el agujero de regulación de la barra guía. NOTA: Con esto la barra guía queda bloqueada en este sitio. Usted no podrá ni empujar ni halar a la barra guía.
- Vuelva a apretar a mano la tuerca de la barra.
- Regule la tensión de la cadena de la sierra. Siga los pasos indicados en regulación de la *Tensión de la Cadena de la Sierra*.

ESPAÑOL

## AJUSTE DE TENSIÓN DE LA CADENA SERRADA

**⚠ ADVERTENCIA:** Descenchufe la sierra eléctrica antes de ajustar la tensión de la cadena serrada.

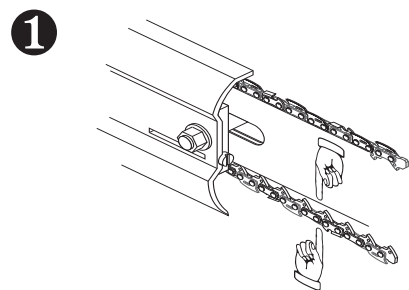
**⚠ ADVERTENCIA:** Los bordes de corte de la cadena son afilados. Al manipular la cadena, utilice guantes de protección.

**⚠ ADVERTENCIA:** Siempre mantenga la cadena debidamente tensionada. Si la cadena se encuentra suelta, existe mayor riesgo de contragolpes. Además, la cadena suelta puede salir despedida de la ranura de la barra de guía. Esto puede lesionar al operario y provocar daños en la cadena. Si la cadena está suelta, la cadena, la rueda dentada y la barra de guía se desgastarán rápidamente.

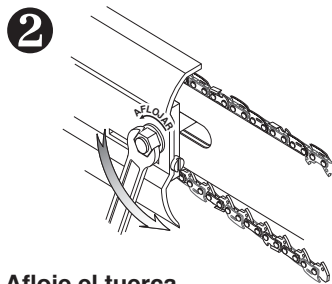
### IMPORTANTE

Si no sigue estas instrucciones cuando tense la cadena de la sierra dañará la sierra y anulará la garantía. Para mayor información llame al 1-800-626-2237.

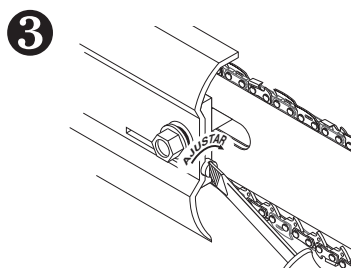
Las nuevas cadenas de la sierra se estirarán. Verifique con frecuencia la tensión de la cadena cuando la use por primera vez y ajústela cuando la cadena se afloje alrededor de la barra guía.



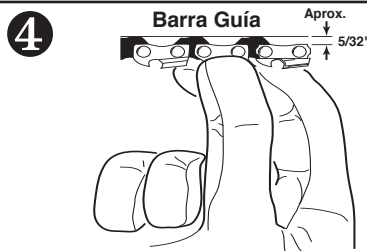
Si la cadena se afloja alrededor de la barra guía, deje que la cadena se enfríe y entonces...



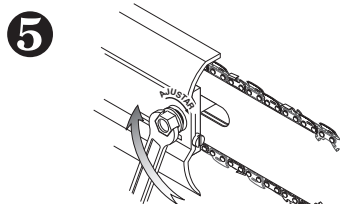
Afloje el tuerca...



Gire el tornillo de tensión de la cadena en sentido horario para ajustar la cadena de la sierra...



Hale la cadena para comprobar la tensión. Los eslabones de la guía no deben salirse de la ranura de la barra guía...



Apriete la tuerca con una llave. Una comba leve de 1/8" entre cadena y fondo de la barra de guía es aceptable

## USO DE LA SIERRA ELÉCTRICA

**⚠ ADVERTENCIA:** Lea detenidamente este manual para el usuario antes de utilizar la sierra eléctrica. Asegúrese de leer y comprender completamente todas las instrucciones en *Información Importante de Seguridad*. El uso indebido de esta sierra eléctrica puede provocar lesiones (y aun la muerte) a causa de incendio, shock eléctrico, el contacto del cuerpo con la cadena en movimiento o la caída de un trozo de un árbol.

### LUBRICACIÓN

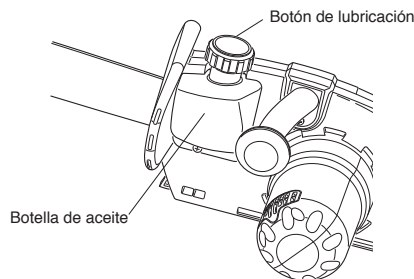
1. Retire la tapa del tanque de aceite.
2. Llene el tanque con aceite lubricante SAE #30. **Nota:** Si utiliza la sierra a temperaturas de menos de 0°C, utilice aceite lubricante SAE #10. Si la utiliza a temperaturas superiores a 23°C, utilice aceite lubricante SAE #40. **NO USE** aceite para barra estándar y cadenas.
3. Vuelva a cerrar el tanque con la tapa inmediatamente. Ajuste la tapa firmemente para evitar el escape de aceite del tanque.
4. Limpie el aceite excedente.

**Nota:** Es normal que el tanque drene aceite cuando no se utiliza la sierra. Para evitar esto, vacíe el tanque de aceite después de cada uso.

### LUBRICACIÓN DE LA CADENA

#### Sistema de lubricación manual

Compruebe siempre el nivel de aceite antes de utilizar la sierra. No intente utilizar el sistema de lubricación con la sierra en funcionamiento. Para lubricar la cadena, oprima el botón de lubricación; al hacerlo, se dispensará aceite a la barra de guía y a la cadena. Oprima el botón de lubricación al menos una vez antes de cada corte. Compruebe a menudo el nivel de aceite mirando el nivel de aceite por un lado de la botella de aceite (vea la Figura 9).



**Figura 9 - Ubicación de la ampolleta de presión del aceite y de la botella de aceite**

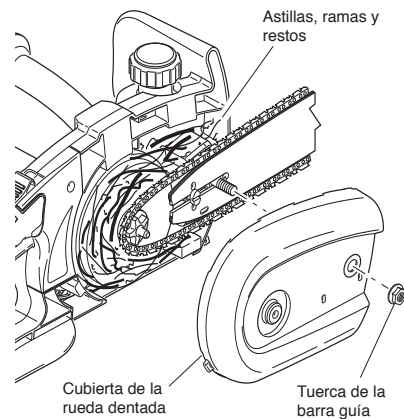
### REMOCIÓN DE RESTOS DE LA TAPA DE LA RUEDA DENTADA

Mientras se usa la sierra de cadena, astillas, ramas pequeñas y otros restos pueden de vez en cuando acumularse dentro de la tapa de la rueda dentada. Para dar mantenimiento en forma apropiada a la sierra y mantenerla funcionando bien, se puede necesitar la remoción periódica de los restos. Para quitar los restos en forma apropiada de la tapa de rueda dentada:

1. Desenchufe la sierra de cadena.
2. Afloje y quite la tuerca de la barra guía (vea la Figura 10).
3. Gire el tornillo de tensión de la cadena en sentido anti-horario para aflojar la cadena hasta que se quite con facilidad la tapa de la rueda dentada.

**⚠ ADVERTENCIA:** Tenga cuidado cuando remueva los restos que estén alrededor de la cadena. Los bordes cortantes de la sierra son muy afilados. Use guantes protectores cuando trabaje cerca la cadena o cuando la use.

4. Después de quitar la tapa de la rueda dentada, limpie todas las astillas, ramas y restos.
5. Una vez que se han quitado los restos, siga los pasos del 7 al 13 de las páginas 32 y 33 en la sección *Ensamblaje* para ensamblar de nuevo la tapa de la rueda dentada a la sierra de cadena.



**Figura 10 - Remoción y limpieza de restos de la tapa de la rueda dentada**

ESPAÑOL

## USO DE LA SIERRA ELÉCTRICA

### CABLES DE PROLONGACIÓN

Utilice cables de prolongación adecuados para esta sierra. Utilice sólo cables de prolongación para el aire libre. El cable debe presentar el sufijo W o W-A después del tipo de cable. **Por ejemplo:** SJTW-A o SJTW.

Utilice un cable del calibre adecuado para esta sierra. El cable debe ser lo suficientemente grueso como para conducir la corriente necesaria. El uso de un cable demasiado fino perderá voltaje al llegar a la sierra. La sierra perderá potencia y recalentará. El cable debe cumplir los requerimientos abajo enumerados.

Longitud del cable	Tamaño AWG del cable
7,50 m	16 AWG
15 m	16 AWG
30 m	16 AWG
45 m	14 AWG

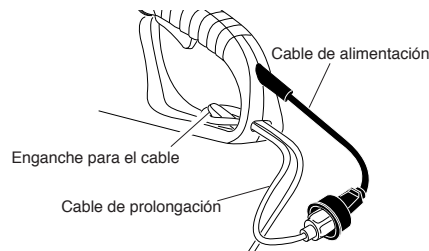
**Modelos:** M15012US, M15014AS

Longitud del cable	Tamaño AWG del cable
7,50 m	16 AWG
15 m	16 AWG
30 m	14 AWG
45 m	12 AWG

**Modelos:** M30016US, M30016AS, M30016AW, M35016AW

Mantenga el cable lejos del área de corte. Asegúrese de que no se enriede en ramas o troncos. Inspecciónelo a menudo. Si se daña, reemplácelo inmediatamente.

Esta sierra eléctrica tiene un enganche incorporado para el cable de prolongación para evitar que éste se desconecte al utilizar la sierra. Para utilizarlo, forme un lazo con el extremo del cable de prolongación, inserte el lazo en la ranura de la parte posterior del mango y colóquelo en el enganche (vea la Figura 11). Tire cuidadosamente del lazo enganchando hasta eliminar la flojedad del cable. Conecte el cable de prolongación al cable de la sierra eléctrica.



**Figura 11 - Fijación del cable de prolongación en el enganche para el cable**

### REALIZACIÓN DE CORTES

1. Conecte la sierra al cable de prolongación, y éste a un tomacorriente.
2. Cerciérese de que la porción del tronco que desee cortar no yazca sobre el suelo. De este modo, evitará que la cadena toque el suelo al cortar a través de él. Si la cadena toca el suelo mientras se encuentra en movimiento, se desafilará.
3. Utilice ambas manos para sujetar la sierra. Utilice siempre la mano izquierda para asir el mango anterior y la derecha para tomar la posterior. Sujétela con firmeza: los mangos de la sierra deben quedar bien tomados por sus dedos (vea la Figura 12).
4. Asegúrese de mantener una pisada firme. Mantenga los pies separados y distribuya su propio peso sobre ambos pies en forma equilibrada.
5. Cuando esté dispuesto a realizar un corte, presione la traba de seguridad completamente hacia adelante con el pulgar derecho y apriete el gatillo (vea la Figura 12); la sierra se encenderá. Al soltar el gatillo, se apagará. Cerciérese de que la cadena está girando a su máxima velocidad antes de comenzar a cortar.
6. Al comenzar a cortar, coloque la cadena en movimiento sobre la madera. Sujete la sierra firmemente en su lugar para evitar que la sierra rebote hacia arriba y hacia abajo o hacia los lados.
7. Conduzca la sierra ejerciendo una ligera presión. No la someta a un esfuerzo excesivo; de lo contrario, el motor se sobrecargará y se quemará. La sierra funcionará de manera mejor y más segura si se la utiliza según ha sido diseñada.
8. Retire la sierra del corte con la cadena girando a la máxima velocidad. Para interrumpir el corte, suelte el gatillo. Asegúrese de que la cadena haya dejado de moverse antes de asentar la sierra.
9. Ejercítese hasta que sea capaz de mantener una velocidad de corte estable y pareja.

## USO DE LA SIERRA ELÉCTRICA

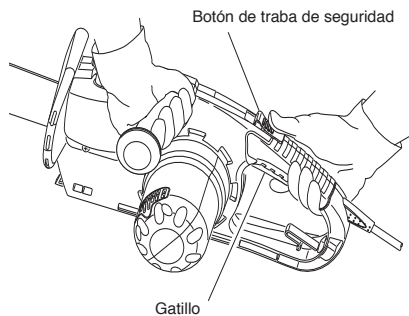


Figura 12 - Posición del gatillo y de la traba de seguridad

### TALA DE UN ÁRBOL (Derribamiento de un árbol)



#### ADVERTENCIA:

- Evite los contragolpes, ya que pueden provocar lesiones graves y aun la muerte. Para evitar el riesgo de contragolpe, vea la sección *Contragolpes*.
- No se disponga a talar un árbol si no es diestro o no cuenta con ayuda confiable.
- Al talar un árbol, mantenga a los niños, animales y curiosos alejados del área.
- Si dos o más personas realizan tareas de tala y trozado el mismo tiempo, cerciórese de que haya una buena cantidad de espacio entre ellos. El espacio que separa a ambas personas debe ser por lo menos igual al doble de la altura del árbol que se está talando.



**ADVERTENCIA:** Al talar un árbol, manténgase alerta a su entorno. No provoque daños ni ponga a riesgo a ninguna persona o línea de servicios públicos. Si el árbol cae sobre alguna línea de un servicio público, comuníquese con la compañía correspondiente de inmediato.

La tala es el proceso de derribar un árbol. Asegúrese de contar con una pisada firme. Mantenga los pies separados y distribuya su propio peso sobre ambos pies de manera equilibrada. Para talar un árbol, siga estas instrucciones:

#### Antes de derribar un árbol

1. Antes de talar un árbol, inspecciónelo. Asegúrese de que no tenga ramas o vástagos secos que puedan caerle encima. Analice la inclinación natural del árbol, la posición de sus ramas más grandes y la dirección del viento. Todo esto le ayudará a decidir hacia qué lado derribar el árbol.
2. Despeje el área de trabajo alrededor del árbol.
3. Planee y despeje un trayecto de retirada para el momento de la caída. Este debe ser en sentido contrario al de la caída del árbol y a un ángulo de 45° (vea la Figura 13).

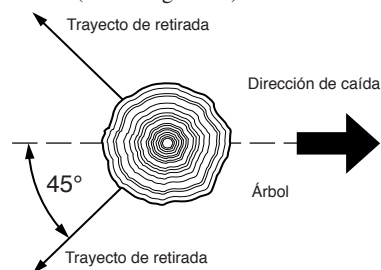


Figura 13 - Trayecto de retirada de un árbol

4. Retire la tierra, piedras, corteza suelta, clavos, grampas y alambres de las partes del árbol donde aplicará la sierra.
5. Al talar el árbol, manténgase cuesta arriba de él. Una vez derribado, el árbol puede rodar o deslizarse cuesta abajo.

#### Procedimiento de tala

##### A) Corte de la muesca

La preparación correcta de una muesca determinará la dirección en que caerá el árbol. Corte la muesca del lado del árbol correspondiente a la dirección en la cual desea que éste caiga (vea la Figura 14). Siga las instrucciones a continuación para cortar la muesca.

1. Haga el corte inferior de la muesca tan cerca del suelo como sea posible. Sujete la sierra de modo que la barra de guía se encuentre en posición horizontal. Corte a través del tronco del árbol hasta atravesar 1/3 de su diámetro (vea la Figura 14). **Nota:** Haga siempre este corte inferior horizontal en primer lugar. Si la hace en segundo lugar, el árbol puede presionar la cadena o la barra de guía.

ESPAÑOL

## USO DE LA SIERRA ELÉCTRICA

- Comience el corte superior de la muesca a una distancia del corte inferior igual a la profundidad de éste.

**Por ejemplo:** Si el corte inferior tiene una profundidad de 20 cm, comience el corte superior 20 cm por encima de aquél. Corte en dirección hacia abajo y a un ángulo de 45°. El corte superior de la muesca debe llegar y unirse al punto final del corte inferior (vea la Figura 14).

- Retire la cuña creada por los dos cortes de muesca.

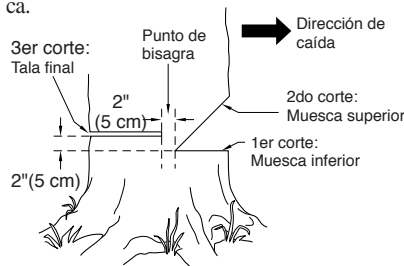


Figura 14 - Tala de un árbol

### B) Tala final

- Haga el corte de tala final 5 cm por encima del corte inferior de la muesca y sobre el lado opuesto del árbol (vea la Figura 14). Mantenga el corte de tala final paralelo al corte inferior de la muesca.
- Corte en dirección a la muesca.

**ADVERTENCIA:** No atraviese el árbol completamente. Deje alrededor de cinco centímetros de diámetro sin cortar, directamente detrás de la muesca (vea la Figura 14). Esta porción sin cortar funciona a manera de bisagra. La bisagra ayuda a evitar que el árbol se tuerza y caiga en la dirección equivocada.

- A medida que el corte final se aproxime al punto de bisagra, el árbol comenzará a caer. **Nota:** Si es necesario, inserte cuñas dentro del corte de tala final para controlar la dirección de la caída. Si el árbol se echa hacia atrás y presiona la cadena, inserte cuñas dentro del corte final para extraer la sierra. Utilice siempre cuñas de madera, plástico o aluminio. Nunca utilice cuñas de metal, ya que podrían provocar contragolpes y dañar la cadena.
- Cuando el árbol comience a caer, proceda rápidamente a
  - retirar la sierra del corte de tala final;
  - soltar el gatillo para apagar la sierra;
  - asentar la sierra;
  - salir del área por el trayecto de retirada.

**ADVERTENCIA:** Manténgase alerta a la caída de ramas del árbol. Mantenga un paso firme al salir del área.

### DESMEMBRAMIENTO DE UN ÁRBOL

**ADVERTENCIA:** Evite los contragolpes. Éstos pueden provocar lesiones graves y aun la muerte. Para evitar el riesgo de contragolpes, lea la sección *Contragolpes*.

**ADVERTENCIA:** Proceda con sumo cuidado al cortar ramas o vástagos de árboles que se encuentran en tensión. Está preparado para actuar en caso de contragolpe de la madera. Al liberarse la tensión de la madera, la rama puede moverse hacia el operario, golpearlo y provocarle lesiones graves y aun la muerte.

Desmembrar un árbol significa retirar las ramas de un árbol caído. Asegúrese de tener una pisada firme. Mantenga los pies separados y distribuya el peso de su cuerpo sobre ambos pies en forma equilibrada. No retire las ramas grandes que se encuentran por debajo del tronco y separan a éste del suelo. Retire cada rama con un solo corte (vea la Figura 15). Retire las ramas cortadas del área de trabajo con frecuencia para mantener el área segura.

Asegúrese de comenzar a cortar cada rama en un punto donde la sierra no quedará atrapada por presión durante el corte. Para evitar el atrapamiento de la sierra, comience por cortar las ramas que cuelgan libremente, desde arriba hacia abajo. Para cortar ramas en tensión, comience a cortarlas desde abajo. Si la sierra queda atrapada por la presión de la rama, apáguela, levante la rama y retire la sierra.

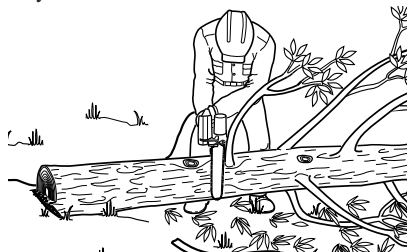


Figura 15 - Desmembramiento de un árbol

## USO DE LA SIERRA ELÉCTRICA

### TROZADO DE UN TRONCO

**⚠️ ADVERTENCIA:** Evite los contragolpes. Éstos pueden provocar lesiones graves y aun la muerte. Para evitar el riesgo de contragolpes, lea la sección *Contragolpes*.

- ⚠️ ADVERTENCIA:**
- Si se halla en una colina, asegúrese de que el tronco no vaya a rodar cuesta abajo. Asegúrelo con estacas de madera. Introduzca las estacas en el suelo, del lado del tronco que se encuentra cuesta abajo. Permanezca en posición cuesta arriba del tronco al cortar, ya que éste puede rodar después de realizarse un corte.
  - Nunca intente cortar a través de dos troncos de una sola vez. De lo contrario, puede aumentar el riesgo de contragolpes.
  - Al cortar un tronco, nunca lo sostenga con la mano, la pierna o el pie.
  - Al cortar un tronco, no permita que otra persona lo sostenga.
  - Apague y desenchufe la sierra antes de trasladarse de un lugar a otro.

Trozar un tronco significa cortarlo en secciones. Asegúrese de tener una pisada firme. Mantenga los pies separados y distribuya su propio peso sobre ambos pies en forma equilibrada. Cuando sea posible, levante y separe del piso el tronco o la sección por cortar, utilizando ramas, troncos, cuñas, etc.

Al cortar el tronco, mantenga el control de la operación reduciendo la presión del corte al aproximarse al final del corte. No relaje los músculos de las manos ni deje que la cadena en movimiento toque el suelo. Si la cadena en movimiento toca el suelo, se desafilará. Al terminar de cortar el tronco, suelte el gatillo para apagar la sierra antes de moverla.

Siga estas instrucciones para trozar un tronco.

### La totalidad del tronco sobre el suelo

Corte el tronco comenzando por arriba (vea la Figura 16).

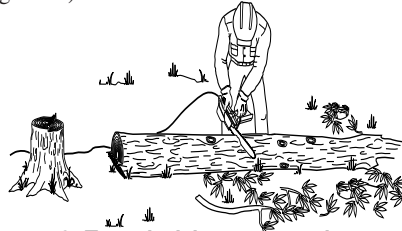


Figura 16 - Trozado del tronco completamente apoyado en el suelo

### Tronco apoyado en un extremo

1. Haga el primer corte del lado inferior del tronco (vea la Figura 17). Utilice la parte superior de la barra de guía para realizar este corte. Atraviese 1/3 del diámetro del tronco. Este corte impedirá la producción de astillas en esta sección al completarse el corte.
2. Haga el segundo corte directamente encima del primero. Corte hacia abajo hasta unir ambos cortes. Este corte impedirá que la barra de guía y la cadena queden atrapadas por la presión del tronco.

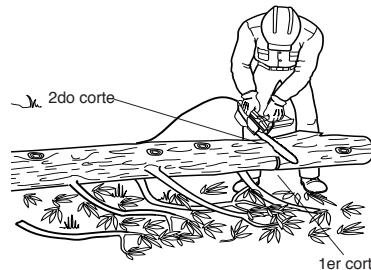


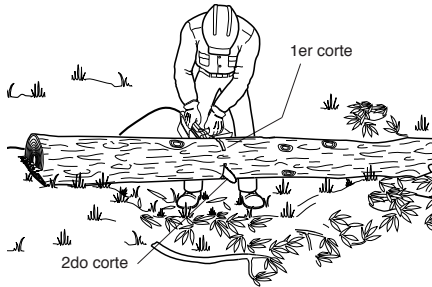
Figura 17 - Trozado del tronco apoyado sobre un solo extremo

### Tronco apoyado sobre ambos extremos

1. Haga el primer corte del lado superior del tronco (vea la Figura 18, la página 40). Atraviese 1/3 del diámetro del tronco. Este corte impedirá la producción de astillas en esta sección al completarse el corte.
2. Haga el segundo corte directamente debajo del primero. Utilice la parte superior de la barra de guía para realizar este corte. Corte hacia arriba hasta unir ambos cortes. Este corte impedirá que la barra de guía y la cadena queden atrapadas por la presión del tronco.

ESPAÑOL

## USO DE LA SIERRA ELÉCTRICA



**Figura 18 - Trozado del tronco apoyado sobre ambos extremos**

### PODA DE UN ÁRBOL

**⚠ ADVERTENCIA:** Evite los contragolpes. Éstos pueden provocar lesiones graves y aun la muerte. Para evitar el riesgo de contragolpes, lea la sección *Contragolpes*.

**⚠ ADVERTENCIA:** No utilice la sierra eléctrica mientras se encuentre

- arriba de un árbol;
- sobre una escalera o cualquier otra superficie inestable;
- en cualquier posición incómoda.

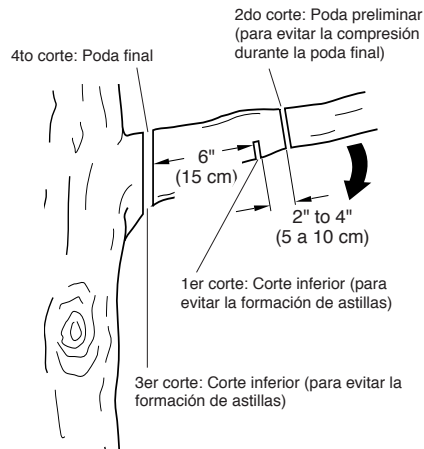
Puede perder el control de la sierra y provocar graves lesiones.

**⚠ ADVERTENCIA:** No corte ramas que se encuentren a una altura mayor que la de sus hombros.

**⚠ PRECAUCIÓN:** Si las condiciones del trabajo exceden sus capacidades, busque asistencia profesional.

Podar un árbol es el proceso de cortar ramas de un árbol con vida. Asegúrese de contar con una pisada firme. Mantenga los pies separados y distribuya su peso sobre ambos pies en forma equilibrada. Para podar un árbol, siga estos pasos:

1. Haga el primer corte a quince centímetros del tronco del árbol, del lado inferior de la rama. Utilice el lado superior de la barra de guía para realizar este corte. Atraviese la rama hasta llegar a 1/3 de su diámetro. (vea la Figura 19).
2. Desplácese entre cinco y diez centímetros hacia el extremo de la rama. Haga el segundo corte desde la parte superior de la misma. Atraviese la rama completamente hasta cortarla.
3. Haga el tercer corte tan cerca del tronco como sea posible, del lado inferior de la rama. Utilice la parte superior de la barra de guía. Atraviese la rama hasta alcanzar 1/3 de su diámetro.
4. Haga el cuarto corte directamente encima del tercero. Corte hacia abajo hasta unirse al tercer corte. De esta manera conseguirá retirar la base de la rama.



**Figura 19 - Poda de una rama**



## LIMPIEZA Y MANTENIMIENTO

**AVISO:** A continuación encontrará instrucciones para la realización de tareas de servicio en su sierra eléctrica. Toda tarea de servicio que no se encuentre incluida a continuación debe realizarse en un centro de servicios autorizado.

### LIMPIEZA DEL CABEZAL

**⚠ ADVERTENCIA:** Desenchufe la sierra eléctrica antes de realizar tareas de servicio en ella. Un shock eléctrico o el contacto de su cuerpo con la cadena en movimiento pueden provocar graves lesiones y aun la muerte.

**⚠ ADVERTENCIA:** Los bordes de corte de la cadena son afilados. Utilice guantes de protección al manipular la cadena.

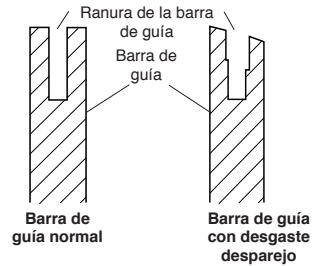
**⚠ ADVERTENCIA:** Al limpiar el cabezal,

- no sumerja la sierra en líquido alguno;
- no utilice productos que contengan amoníaco, cloro o elementos abrasivos;
- no utilice solventes limpiadores clorinados, tetracloruro de carbono, querosén o gasolina.

Mantenga el cabezal limpio. Utilice un paño suave humedecido con una mezcla de jabón suave y agua. Frote este paño sobre el cabezal para limpiarlo.

### CUIDADO DE LA BARRA DE GUÍA

La mayoría de los problemas de la barra de guía son producto de su desgaste desparejo. A menudo este desgaste se debe a errores en el afilado de los elementos de corte de la cadena y en los valores de medida de profundidad. Cuando la barra se desgasta de manera despareja, la ranura de la misma se ensancha (vea la Figura 20). Esto causa el matraqueo de la cadena y la rotura y expulsión de los remaches. La sierra no cortará en línea recta.



**Figura 20 - Sección transversal de la barra de guía que ilustra el desgaste desparejo de la misma**

Si esto ocurre, reemplace la barra de guía. Inspeccione la barra de guía antes de afilar la cadena. Una barra de guía desgastada o dañada es insegura y daña la cadena. También dificulta la realización de cortes.

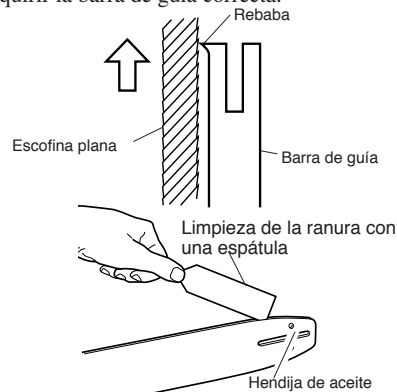
### Mantenimiento normal de la barra de guía

1. Retire la barra de guía de la sierra.
2. Retire el polvo y la tierra de la ranura de la barra de guía en forma periódica. Para ello, utilice una espátula o un alambre (vea la Figura 21).
3. Limpie las ranuras de aceite al final de cada día de uso de la sierra.
4. Retire la rebaba de los lados de la barra de guía. Utilice una escofina plana para encuadrar los bordes laterales.

Reemplace la barra de guía cuando

- se encuentre doblada o rasgada;
- la ranura interior de la barra esté sumamente desgastada;

**Nota:** Para reemplazar la barra de guía, lea la sección *Accesorios y Piezas de Repuesto* para adquirir la barra de guía correcta.



**Figura 21 - Mantenimiento de la barra de guía**

ESPAÑOL

## LIMPIEZA Y MANTENIMIENTO

### AFILADO DE LA CADENA

**⚠ ADVERTENCIA:** Desenchufe la sierra antes de realizar tareas de servicio. Un shock eléctrico o el contacto de su cuerpo con la cadena en movimiento puede provocarle lesiones graves y aun la muerte.

**⚠ ADVERTENCIA:** Los bordes de corte de la cadena son afilados. Utilice guantes de protección al manipular la cadena.

Mantenga la cadena afilada. La sierra cortará de manera más rápida y segura. El uso de una cadena desafilada provocará el desgaste innecesario de la rueda dentada, la barra de guía y el motor. Si resulta necesario aplicar fuerza para introducir la cadena en la madera, y si al cortar sólo obtiene viruta y algunos trozos grandes, la cadena está desafilada.

#### Elementos necesarios para afilar la cadena

Puede comprar estos elementos en su concesionario, ferretería o tienda de accesorios para sierras eléctricas cercanos.

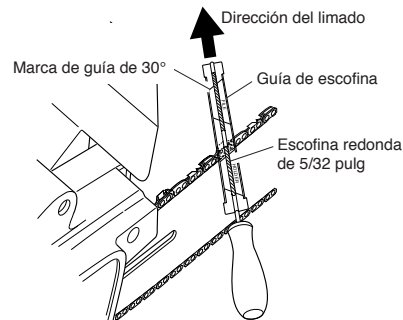
- Escofina redonda de 5/32 pulgada
- Calibrador de medida de profundidad
- Guía de escofina
- Prensa
- Escofina plana de tamaño medio

#### Afilado de los elementos de corte

Utilice la guía de escofina para limar a un ángulo de 30°.

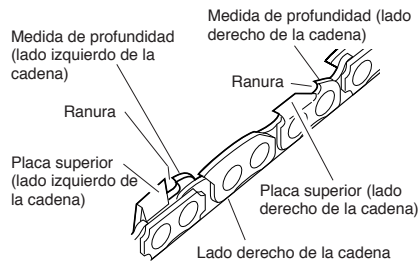
1. Ajuste la tensión de la cadena hasta alcanzar la tensión adecuada (vea la sección *Ajuste de Tensión de la Cadena Serrada*).
2. Sujete la barra de guía en la prensa para mantener estable la sierra. **Nota:** No aplique la prensa a la cadena.
3. Introduzca la escofina redonda de 5/32 de pulgada (adherida a la guía de escofina) en la ranura entre la placa superior y la medida de profundidad de la cadena. La guía de escofina debe descansar tanto sobre la placa superior como sobre la medida de profundidad (vea la Figura 22). **Nota:** Al limar, hágalo en el punto medio de la barra de guía.
4. Sostenga la guía de escofina a nivel. Cerciórese de que la marca de 30° de la guía de escofina sea paralela al centro de la barra de guía (vea la Figura 22). Esto asegurará que el afilado de los elementos de corte se realice a un ángulo de 30°.

5. Lime desde adentro hacia afuera del elemento de corte hasta que quede afilado. Sólo aplique la escofina en esta dirección (vea la Figura 22). **Nota:** Bastarán dos o tres pasadas para afilar cada elemento de corte.
6. Luego de afilar cada elemento de corte, mueva la cadena hacia adelante para afilar el siguiente elemento. Afile todos los elementos de corte a un lado de la cadena.
7. Diríjase al otro lado de la cadena y repita el mismo proceso.



**Nota:** Esta figura ilustra la colocación de la guía de escofina y la dirección del limado para afilar los dientes del lado izquierdo de la cadena.

**Figura 22 - Colocación de la guía de escofina y de la escofina sobre la cadena**



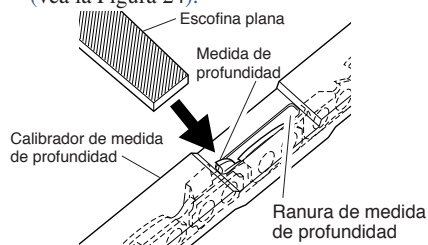
**Figura 23 - Posición de las partes de la cadena**

## LIMPIEZA Y MANTENIMIENTO

### Limado de los calibradores de medida de profundidad

El espacio de la medida de profundidad del elemento de corte se reduce al afilar dichos elementos. Vuelva a establecer las medidas de profundidad de los elementos de corte cada dos o tres afiladas.

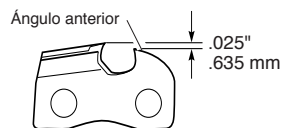
1. Coloque el calibrador de medida de profundidad (.635 mm) firmemente a lo largo de dos elementos de corte. Asegúrese de que la medida de profundidad penetra en la ranura del calibrador de la medida de profundidad (vea la Figura 24).



**Figura 24 - Calibrador de medida de profundidad en la cadena**

2. Utilice una escofina plana de tamaño medio. Lime el nivel de medida de profundidad con el calibrador de medida de profundidad.
3. Retire el calibrador de medida de profundidad. Utilice una escofina plana para redondear la esquina frontal de la medida de profundidad del elemento de corte (vea la Figura 25).

Después de afilar la cadena a mano en varias oportunidades, haga que un centro de servicios autorizado o una máquina de afilar afile la cadena. Esto asegurará que el limado quede parejo.



**Figura 25 - Redondeo del ángulo anterior de la medida de profundidad**

### RECAMBIO DE LA CADENA SERRADA

Reemplace la cadena cuando los elementos de corte se encuentren demasiado gastados para ser afilados o cuando se rompa la cadena. Utilice únicamente la cadena de repuesto indicada en este manual. Al reemplazar la cadena, cambie también la rueda dentada. De ese modo asegurará el correcto accionamiento de la cadena. **Nota:** Para saber cuál es la cadena y la rueda dentada adecuada a su modelo, consulte la sección *Accesorios y Piezas de Repuesto*.

### Cadenas de repuesto

Las cadenas de repuesto de la sierra pueden estar disponibles en su ferretería o en su almacén local de accesorios de hogar.

La lista siguiente muestra las especificaciones de las cadenas de repuesto

Todas las cadenas deberán ser de 50 milésimas de calibre y 3/8 de paso (entre eslabón)

- Las cadenas de 10 pulgadas tienen 41 eslabones impulsores
- Las cadenas de 12 pulgadas tienen 47 eslabones impulsores
- Las cadenas de 14 pulgadas tienen 52 eslabones impulsores
- Las cadenas de 16 pulgadas tienen 58 eslabones impulsores

Puede también solicitar cadenas de repuesto para la sierra en la "tienda virtual" en [www.desatech.com](http://www.desatech.com) con el número de pieza indicada en la lista ilustrada de piezas de las páginas 72-73 de este manual.

### ALMACENAMIENTO

Para almacenar la sierra durante más de 30 días, siga estos pasos:

1. Drene el tanque de aceite después de cada uso.
2. Retire y limpie la barra de guía y la cadena. Para ello, sumérgalas en un solvente a base de petróleo o en una mezcla de agua y jabón suave.
3. Seque la barra de guía y la cadena.
4. Coloque la cadena en un contenedor lleno de aceite. Esto impedirá que se oxide.
5. Cubra la superficie de la barra de guía con una fina lámina de aceite.
6. Limpie la parte externa del cabezal con un paño suave humedecido con una mezcla de agua y jabón suave.
7. Guarde la cadena serrada
  - en un sitio alto o bajo llave, fuera del alcance de niños;
  - en un sitio seco;
  - en un estuche o con la barra de guía cubierta por una funda.

ESPAÑOL

---

## SERVICIO TÉCNICO

Usted puede tener más preguntas sobre cómo ensamblar, utilizar o mantener este producto. Si es así, usted puede visitar nuestro sitio Web de servicio técnico en [www.remingtonpowertools.com](http://www.remingtonpowertools.com) o llamar al departamento de servicio técnico al 1-800-626-2237 (sólo en inglés). Usted puede también escribir a:

DESA Power Tools  
ATTN: Technical Service P.O. Box 90004  
Bowling Green, KY 42102-9004


Cuando llame a DESA Power Tools tenga listo:

- Su nombre
- Su dirección
- Su número de teléfono
- El número de modelo del producto
- Fecha de compra (incluya un copia del recibo para solicitudes por escrito).

Especifique siempre el número de modelo y el número de serie al escribir a la fábrica.

DESA Power Tools se reserva el derecho de enmendar estas especificaciones en cualquier momento sin previo aviso. La única garantía aplicable es nuestra garantía estándar escrita. No ofrecemos ninguna otra garantía expresa o implícita.

## ACCESORIOS Y PIEZAS DE REPUESTO

 **ADVERTENCIA: Utilice únicamente piezas y accesorios descritos en este manual. El uso de otras piezas o accesorios puede dañar la sierra o lesionar a su operario.**

Para accesorios y piezas de repuesto originales llame al Distribuidor Autorizado o al Centro Autorizado de Servicio para este producto. Si ellos no tienen la pieza o accesorio, llame a la Central de Piezas más cercana a usted que se lista en la página 74. Cada Distribuidor Autorizado, Centro Autorizado de Servicio y Central de Piezas es y opera independientemente. Puede también solicitar piezas en la “tienda virtual” en [www.remingtonpowertools.com](http://www.remingtonpowertools.com).

Vea las páginas 72 por 73 para una lista ilustrada de piezas.

Si necesita referencia adicional informativa, llame a nuestro departamento de servicio técnico (vea *Servicio Técnico*).

En el Canadá llame al 1-800-561-3372 para obtener información sobre las piezas.

## SERVICIO DE REPARACIÓN

**Nota:** Use sólo piezas de repuesto originales. Esto protegerá la cobertura de su garantía de las piezas repuestas bajo garantía.

Cada Centro Autorizado de Servicio es y opera independientemente.

### Servicio con garantía

Si el producto necesita servicio bajo garantía, envíelo al centro de servicio autorizado más cercano a usted. Usted debe mostrar prueba de compra. Si el daño fue causado por materiales imperfectos o por mano de obra, repararemos o cambiaremos el producto sin cobrarle a usted. **Nota:** Esta garantía no cubre desgaste, mal uso, abuso, negligencia o daño accidental.

### Servicio sin garantía

Si el producto necesita servicio, envíelo al centro de servicio autorizado más cercano a usted. Se le enviarán las facturas por reparación a los precios normales de reparación.

Para información adicional sobre centros de servicio o de garantía, llame al 1-800-626-2237 o visite nuestro sitio Web de servicio técnico en [www.remingtonpowertools.com](http://www.remingtonpowertools.com).

## DIAGNÓSTICO Y RESOLUCIÓN DE PROBLEMAS

**Nota:** Para obtener más ayuda, visite el sitio Web de servicio técnico DESA Power Tools, [www.remingtonpowertools.com](http://www.remingtonpowertools.com).

**⚠ ADVERTENCIA:** Desenchufe la sierra eléctrica antes de realizar tareas de servicio. Un shock eléctrico o el contacto corporal con la cadena en movimiento pueden provocar lesiones graves y aun la muerte.

FALLA OBSERVADA	CAUSA POSIBLE	SOLUCIÓN
La sierra funciona, pero no corta	La cadena se encuentra colocada sobre la barra de guía en sentido inverso	Vea Ensamblaje.
La sierra no corta a menos que se aplique gran fuerza sobre ella. Al cortar, sólo produce viruta y unas pocos trozos grandes	La cadena está desafilada	Vea Afilado de la Cadena.
La sierra funciona lentamente y se atasca con facilidad	Bajo voltaje de entrada	El cable de prolongación es demasiado fino. Vea Cables de Prolongación
El motor de la sierra no funciona al oprimirse el gatillo	<ol style="list-style-type: none"> <li>1. No se ha empujado la traba de seguridad hacia adelante para liberar el gatillo</li> <li>2. Las conexiones del cable de prolongación están sueltas</li> <li>3. Fusible quemado o cortacorriente abierto</li> <li>4. Cepillos de motor gastados</li> <li>5. Circuito interrumpido en la sierra</li> </ol>	<ol style="list-style-type: none"> <li>1. Empuje la traba de seguridad hacia adelante antes de oprimir el gatillo</li> <li>2. Verifique las conexiones de los cables</li> <li>3. Verifique el cortacorriente o el fusible de línea</li> <li>4. Diríjase a un centro de servicios autorizado</li> <li>5. Diríjase a un centro de servicios autorizado</li> </ol>
El motor de la sierra funciona pero la cadena no se mueve	Rueda dentada impulsada con engranaje	Quite y vea si el piñón motriz está dañado
La cadena no recibe lubricación	<ol style="list-style-type: none"> <li>1. Ranura de aceite obstruida en la barra de guía</li> <li>2. Aceite demasiado viscoso</li> </ol>	<ol style="list-style-type: none"> <li>1. Retire la barra de guía y limpie la ranura de aceite</li> <li>2. Utilice aceite de la viscosidad adecuada. Vea la sección Lubricación</li> </ol>
La cadena se sale de la barra de guía	<ol style="list-style-type: none"> <li>1. La cadena está suelta</li> <li>2. La barra guía y la cadena no están ensambladas correctamente</li> </ol>	<ol style="list-style-type: none"> <li>1. Ajuste la cadena. Vea la sección Ajuste de Tensión de la Cadena Serrada.</li> <li>2. Vea Ensamblaje.</li> </ol>
La sierra despide humo	Sierra dañada. No utilizarla	Diríjase a un centro de servicios autorizado
La sierra pierde aceite	La tapa del tanque de aceite bien cerrada	Ajuste la tapa del tanque de aceite <b>Nota: Vacíe el tanque de aceite cuando no utilice la sierra</b>

ESPAÑOL

## INFORMACIÓN DE GARANTÍA

### SIERRA ELÉCTRICA DE LA MARCA DE REMINGTON GARANTÍAS LIMITADAS

#### NUEVOS PRODUCTOS

##### **Garantía Estándar**

DESA Power Tools garantiza que este nuevo producto y todas sus partes no presentan defectos en sus materiales ni en su fabricación durante un (1) año a partir de la fecha de primera compra en un concesionario autorizado, siempre y cuando el producto haya sido utilizado y mantenido debidamente de acuerdo con todas las advertencias e instrucciones de DESA Power Tools'.

#### **PRODUCTOS RECONDICIONADOS EN FÁBRICA**

##### **Garantía Limitada**

DESA Power Tools garantiza que los productos recondicionados en fábrica y todas sus partes no presentan defectos en sus materiales ni en su fabricación durante 90 días a partir de la fecha de primera compra en un concesionario autorizado, siempre y cuando el producto haya sido utilizado y mantenido debidamente de acuerdo con todas las advertencias e instrucciones de DESA Power Tools.

#### **CONDICIONES COMUNES A TODAS LAS GARANTÍAS**

Las siguientes condiciones se aplican a todas las garantías susodichas:

- Especifique siempre el número del modelo cuando se comunique con el fabricante. Para hacer un reclamo según la garantía debe presentarse la factura o el comprobante de compra.
- Esta garantía se extiende solamente al comprador minorista original cuando la compra se hizo en un concesionario autorizado.
- Esta garantía cubre el costo de la(s) pieza(s) requerida(s) para restaurar este producto a sus condiciones adecuadas de funcionamiento y una asignación monetaria por mano de obra cuando así lo ofrezca el Centro de Servicio Autorizado de DESA Power Tools. Las piezas bajo garantía deben obtenerse por medio de concesionarios autorizados para este producto y/o DESA Power Tools quienes le proveerán de piezas de repuesto originales de fábrica. El uso de piezas de repuesto que no sean originales de fábrica anula la validez de esta garantía.
- Los costos de traslado, embalaje, transporte, diagnósticos, material, mano de obra y otros costos incidentales relacionados con las reparaciones según la garantía, a no ser que estén expresamente cubiertas por esta garantía, no son reembolsables bajo esta garantía y son responsabilidad del propietario.
- Se excluyen de esta garantía los productos o piezas de repuesto que fallan o se vuelven defectuosos como consecuencia del uso indebido, accidentes, falta de mantenimiento adecuado, modificación o alteración indebida.
- Se excluyen de esta garantía los productos comprados para uso comercial, industrial o de alquiler.
- Esta es la garantía exclusiva de DESA Power Tools, y de acuerdo a todo lo que permita la ley, esta garantía expresa excluye toda otra garantía, expresa o implícita, escrita o verbal y limita la duración de toda garantía implícita, inclusive las garantías de comerciabilidad y adecuación para un propósito particular, a un (1) año para los productos nuevos y a 90 días para los productos recondicionados en fábrica a partir de la fecha de primera compra. DESA Power Tools no ofrece ninguna otra garantía relacionada con este producto.
- La responsabilidad de DESA Power Tools' se limitará al precio de compra del producto, y DESA Power Tools no será responsable de ningún otro daño, bajo ninguna circunstancia, inclusive por daños indirectos, incidentales o de consecuencia.
- Algunos estados estadounidenses no permiten limitar la duración de una garantía implícita o excluir o limitar los daños incidentales o de consecuencia, de modo que es posible que la limitación de daños arriba enunciada no se aplique a su caso.
- Esta garantía le brinda derechos específicos legales, y usted puede también tener otros derechos que varían de un estado a otro.

Para información acerca de esta garantía comuníquese con:

Modelo \_\_\_\_\_

Fecha de compra \_\_\_\_\_



Bowling Green, KY 42102-9004 U.S.A.  
1-800-626-2237 (sólo en inglés)  
www.remingtonpowertools.com

**DESA**  
Industries of Canada, Inc.

2220 Argenta Road  
Unit #4  
Mississauga, Ontario  
LSN 2K7  
905-826-8010  
FAX 905-826-8236

# REMINGTON®

## TRONÇONNEUSE ÉLECTRIQUE PRIME

MANUEL D'UTILISATION ET D'ENTRETIEN



MODÈLES : M15012US, M15014AS, M30016US, M30016AS,  
M30016AW, M35016AW

FRANÇAIS

**IMPORTANT:** Il est recommandé de lire et comprendre ce manuel avant d'assembler cette tronçonneuse et de l'utiliser. L'utilisation incorrecte de la tronçonneuse risque d'entraîner des blessures graves. Conserver ce manuel pour pouvoir s'y référer ultérieurement.

## CONTENUS

---

<b>CONSIGNES DE SÉCURITÉ IMPORTANTES</b> .....	<b>49</b>
Avant d'utiliser la tronçonneuse.....	49
Pendant l'utilisation de la tronçonneuse .....	49
Recul .....	51
Entretien et remisage de la tronçonneuse.....	52
<b>DÉBALLAGE</b> .....	<b>52</b>
<b>IDENTIFICATION DU PRODUIT</b> .....	<b>53</b>
<b>VOCABULAIRE DE LA TRONÇONNEUSE</b> .....	<b>54</b>
<b>GUIDE DE DÉMARRAGE RAPIDE</b> .....	<b>55</b>
<b>MONTAGE</b> .....	<b>56</b>
<b>RÉGLAGE DE LA TENSION DE LA CHAÎNE</b> .....	<b>58</b>
<b>UTILISATION DE LA TRONÇONNEUSE</b> .....	<b>59</b>
Remplissage du réservoir d'huile .....	59
Lubrification de la chaîne .....	59
Nettoyage des débris du couvercle du pignon .....	59
Rallonges électriques .....	60
Sciage avec la tronçonneuse .....	60
Abattage d'un arbre.....	61
Ébranchage .....	62
Tronçonnage d'une bille .....	63
Taille d'un arbre (Élagage) .....	64
<b>NETTOYAGE ET ENTRETIEN</b> .....	<b>65</b>
Nettoyage du carter de tronçonneuse .....	65
Entretien de la guide-chaîne .....	65
Affûtage de la chaîne.....	66
Remplacement de la chaîne.....	67
<b>REMISAGE</b> .....	<b>68</b>
<b>SERVICE TECHNIQUE</b> .....	<b>68</b>
<b>PIÈCES DE RECHANGE ET ACCESSOIRES</b> .....	<b>68</b>
<b>SERVICE DE RÉPARATION</b> .....	<b>68</b>
Service sous garantie.....	68
Service hors garantie .....	68
<b>DÉPANNAGE</b> .....	<b>69</b>
<b>INFORMATION SUR LA GARANTIE</b> .....	<b>70</b>
<b>SCHÉMA DES PIÈCES</b> .....	<b>72</b>
<b>DÉPÔT DE PIÈCES</b> .....	<b>74</b>



## CONSIGNES DE SÉCURITÉ IMPORTANTES

**⚠ MISE EN GARDE : lorsque vous utilisez une scie à chaîne électrique, vous devez toujours suivre les précautions de sécurité de base pour réduire les risques d'incendie, de choc électrique et de blessures aux personnes, y compris ce qui suit :**

### LISEZ TOUTES LES INSTRUCTIONS

**S'assurer d'avoir lu et compris toutes les directives de la rubrique *Consignes de Sécurité Importantes*. L'utilisation incorrecte de cette tronçonneuse peut entraîner des blessures graves ou la mort, résultant d'un incendie, de chocs électriques, d'un contact du corps avec la chaîne en mouvement ou de la chute de bois.**

### AVANT D'UTILISER LA TRONÇONNEUSE

1. Avant d'utiliser la tronçonneuse, lire et comprendre ce manuel d'utilisation et d'entretien.
  2. Regardez ce que vous faites. Faites preuve de bon sens. N'utilisez pas la tronçonneuse lorsque vous êtes fatigué.
  3. Utiliser uniquement la tronçonneuse pour couper du bois. Ne pas utiliser la tronçonneuse à des fins pour lesquelles elle n'a pas été prévue. Ne pas l'utiliser pour couper du plastique, du béton, etc.
  4. La tronçonneuse ne doit être utilisée que par des adultes qui ont appris comment s'en servir. Ne jamais laisser des enfants s'en servir.
  5. Utiliser uniquement la tension de courant électrique indiquée sur la plaque signalétique de la tronçonneuse.
  6. Utiliser uniquement des rallonges électriques spécifiées pour l'usage à l'extérieur. Se reporter *Conditions Requises*.
  7. Ne pas utiliser la tronçonneuse :
    - lorsqu'on est sous l'influence d'alcool, de médicaments ou de drogues,
    - sous la pluie, dans les endroits humides ou mouillés,
    - là où se trouvent des liquides ou gaz très inflammables,
    - si elle est abîmée, mal réglée ou incomplètement assemblée,
    - si la gâchette ne commande pas la mise en
- marche et l'arrêt ; la chaîne doit s'immobiliser dès qu'on lâche la gâchette ; faire remplacer l'interrupteur défectueux par un réparateur agréé (voir *Service Technique*):
- lorsqu'on est pressé
  - quand on se trouve sur un arbre ou une échelle, à moins d'avoir été formé spécialement.
8. Lors de l'utilisation de la tronçonneuse, porter des vêtements ajustés ; ne pas porter de vêtements amples ni de bijoux qui pourraient se prendre dans la chaîne en mouvement.
  9. Lors de l'utilisation de la tronçonneuse, porter l'équipement de sécurité suivant :
    - gants renforcés (gants en caoutchouc si l'on travaille dehors),
    - chaussures de sécurité à bout acier avec semelles antidérapantes,
    - protection des yeux telle que lunettes de sécurité, lunettes-masque, ou masque,
    - casque de sécurité,
    - serre-tête antibruit ou bouchons d'oreilles,
    - coiffe antiscalp pour retenir les cheveux longs,
    - masque ou masque antipoussières (si l'on travaille dans une atmosphère poussiéreuse).
  10. Avant de couper, toujours prévoir les éléments suivants :
    - une zone de travail dégagée,
    - un équilibre stable,
    - un chemin de dégagement pour s'écarter de l'arbre qui tombe.
  11. Inspecter l'arbre avant de l'abattre. S'assurer qu'il n'y a pas de branches mortes qui pourraient tomber sur l'utilisateur.
  12. Pour réduire le risque de choc électrique, cette tronçonneuse a une fiche polarisée (une lame est plus large que l'autre). Cette fiche ne peut s'insérer dans une prise polarisée que dans un sens. Si la fiche ne s'insère pas complètement dans la prise de la rallonge électrique, retourner la fiche. Si elle ne s'insère toujours pas, une rallonge électrique polarisée sera nécessaire. Ne modifier en aucune manière la fiche.

### PENDANT L'UTILISATION DE LA TRONÇONNEUSE

1. Rester vigilant. Faire preuve de bon sens pendant l'utilisation de la tronçonneuse.
2. Maintenir la zone de travail propre. Les endroits encombrés sont favorables aux accidents.
3. Surveiller la rallonge électrique pendant l'utilisation de la tronçonneuse. Faire attention de ne pas trébucher dessous. Maintenir en

FRANÇAIS

## CONSIGNES DE SÉCURITÉ IMPORTANTES

- permanence le cordon à l'écart de la chaîne et de l'opérateur.
- Maintenir enfants, animaux et toutes personnes présentes à l'écart de la tronçonneuse et de la rallonge électrique. L'utilisateur seul doit se trouver dans la zone de travail.
  - N'abattre un arbre que si l'on a été formé ou si l'on dispose d'assistance expérimentée.
  - Si deux ou plusieurs personnes participent aux travaux de tronçonnage et d'abattage en même temps, prévoir un espace suffisant entre les différentes opérations. Il faut une distance au moins égale à deux fois la hauteur de l'arbre à abattre.
  - Fixer le bois que l'on est en train de couper à l'aide de colliers ou crampons.
  - Saisir la tronçonneuse fermement des deux mains. Ne jamais la tenir d'une seule main pendant son fonctionnement. Ne jamais se servir de l'écran de protection de la main comme d'une poignée.
  - Ne mettre le doigt sur la gâchette lorsqu'on est prêt à entailler.
  - Avant de mettre l'outil en marche, s'assurer que la chaîne ne touche rien.
  - Pour prévenir les chocs électriques, éviter tout contact du corps avec des objets reliés à la terre, tels que des conduites, des clôtures et des poteaux métalliques.
  - Lorsque l'outil est en marche, n'approcher de la chaîne aucune partie du corps.
  - Ne pas forcer sur la tronçonneuse pendant la coupe. N'appliquer qu'une pression légère. Elle fonctionnera de façon plus efficace et plus sûre à la vitesse pour laquelle elle a été prévue.
  - Couper la broussaille peu épaisse et les jeunes pousses avec grandes précautions car ces matériaux légers peuvent se prendre dans la chaîne et être projetés vers l'utilisateur. Dans ce cas, il risque aussi de perdre l'équilibre.
  - Quand on coupe une branche ou un tronc d'arbre sous tension, faire également très attention. Le bois fait ressort : quand la tension disparaît, la branche projetée risque de heurter l'utilisateur, entraînant des blessures graves ou la mort.
  - Pour transporter la tronçonneuse d'un endroit à un autre :
    - arrêter et débrancher la tronçonneuse ;
    - tenir l'outil par la poignée avant (jamais par l'écran de protection avant de la main) ;
    - ne pas laisser le doigt sur la gâchette ;
    - placer la guide-chaîne et la chaîne vers l'arrière.

**⚠ MISE EN GARDE :** Ce produit contient des produits chimiques qui, selon l'état de la Californie, serait à l'origine de cas de cancer, d'anomalie congénitale et de problème de la reproduction.

**⚠ AVERTISSEMENT :** Certaines poussières produites par les opérations de ponçage mécanique, de sciage, de meulage, de perçage et d'autres activités liées à la construction contiennent des produits chimiques connus (par l'État de la Californie) comme pouvant provoquer le cancer, des malformations congénitales ou d'autres effets nocifs à l'égard des fonctions de la reproduction. Quelques exemples de tels produits chimiques :

- le plomb contenu dans les peintures à base de plomb ;
- la silice cristalline contenue dans les briques, le ciment et d'autres produits de maçonnerie ;
- l'arsenic et le chrome contenus dans le bois de construction traité chimiquement.

La susceptibilité à ces risques d'exposition varie suivant la fréquence avec laquelle vous faites ce type de travail. Pour réduire votre exposition à ces produits chimiques : ne travaillez que dans des aires bien ventilées et en portant des équipements de sécurité homologués, comme les masques antipoussières conçus spécialement pour retenir les particules microscopiques.

## CONSIGNES DE SÉCURITÉ IMPORTANTES

### RECU

**⚠ AVERTISSEMENT :** Un recul peut se produire lorsque le nez ou le bout de la guide-chaîne touche un objet ou lorsque le bois se resserre et pince la chaîne de la tronçonneuse dans la coupe. Dans certains cas, un contact du bout peut provoquer une réaction inverse extrêmement rapide, propulsant la guide-chaîne vers le haut et vers l'arrière en direction de l'opérateur. Un pincement de la chaîne de la tronçonneuse le long de la partie supérieure de la guide-chaîne peut repousser rapidement la guide-chaîne vers l'opérateur. Ces réactions peuvent toutes deux provoquer une perte de contrôle de la tronçonneuse pouvant entraîner des blessures graves pour l'utilisateur.

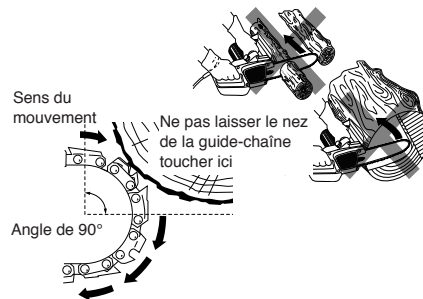
#### Dispositifs de protection contre le recul sur cette tronçonneuse

Cette tronçonneuse est munie d'une chaîne à faible recul et d'une guide-chaîne à recul réduit. Ces deux éléments réduisent le risque de recul. Cependant, celui-ci peut encore se produire.

Suivre les instructions de *Montage*. Ne pas enlever l'écran de protection avant de la main. Ne pas remplacer l'écran de protection avant de la main par un autre dispositif.

On peut prendre les mesures suivantes pour réduire le risque de recul :

- Se servir des deux mains pour tenir la tronçonneuse pendant son fonctionnement. Tenir l'outil d'une poigne ferme. Les pouces et les doigts doivent envelopper les poignées.
- Tous les dispositifs de sécurité doivent être maintenus en place sur la tronçonneuse. S'assurer qu'ils fonctionnent correctement.
- Ne pas essayer d'atteindre trop loin ni de couper au-dessus de la hauteur de l'épaule.
- Garder en permanence un solide appui au sol et un bon équilibre.
- Se tenir légèrement à gauche de l'outil. Le corps n'est pas ainsi en prolongement direct de la chaîne.
- Ne pas laisser le nez de la guide-chaîne toucher quelque chose quand la chaîne est en mouvement. (voir la Figure 1.)



**Figure 1 - Exemple du risque de recul. Ne pas laisser le nez de la guide-chaîne toucher un objet pendant que la chaîne est en mouvement.**

- Ne jamais essayer de couper deux billes en même temps. En couper seulement une à la fois.
- Ne pas enfouir le nez de la guide-chaîne ni essayer de couper en plongeant (faire un trou dans le bois en enfouissant le nez de la guide-chaîne).
- Surveiller le mouvement du bois ou les autres forces qui pourraient pincer la chaîne.
- Faire très attention quand on repénètre dans une entaille.
- Utiliser la chaîne à faible recul et la guide-chaîne fournies avec cette tronçonneuse. Remplacer ces pièces uniquement par les chaînes et lames-guides spécifiées dans ce manuel.
- Ne jamais utiliser une chaîne émoussée ou détendue. Maintenir la chaîne affûtée et tendue correctement.

#### Entretien de la tronçonneuse et protection contre le recul

Suivre les instructions d'entretien figurant dans ce manuel. Les risques de recul peuvent être réduits par le nettoyage et l'entretien adéquats de l'outil, de la chaîne, de la guide-chaîne. Après chaque utilisation, inspecter la tronçonneuse et l'entretenir. Ceci prolonge sa durée en service. **Note :** Même si la chaîne est affûtée correctement, le risque de recul peut augmenter à chaque affûtage.

FRANÇAIS

## CONSIGNES DE SÉCURITÉ IMPORTANTES

---

### ENTRETIEN ET REMISAGE DE LA TRONÇONNEUSE

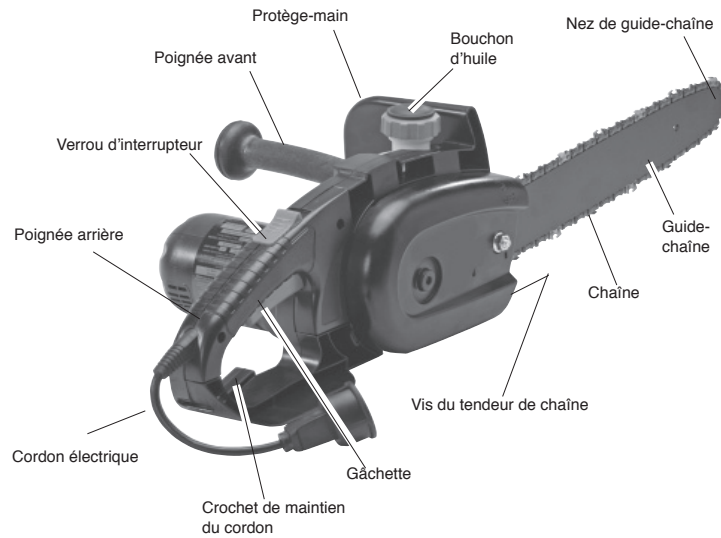
1. Débrancher le cordon de la prise de courant :
  - quand on n'utilise pas la tronçonneuse,
  - avant de la déplacer d'un endroit à un autre,
  - avant de procéder à son entretien,
  - avant de changer des accessoires, tels que la chaîne et l'écran de protection de la tronçonneuse.
2. Inspecter la tronçonneuse avant et après chaque utilisation. Bien contrôler l'outil si une protection ou une pièce quelconque a été endommagée. Bien vérifier pour déceler tout dégât pouvant affecter la sécurité de l'utilisateur ou le fonctionnement de l'outil. Vérifier que les pièces mobiles sont bien alignées et ne sont pas coincées. Vérifier qu'il n'y a pas de pièces cassées ou endommagées. Ne pas utiliser la tronçonneuse si les dégâts affectent la sécurité ou son fonctionnement. Faire remettre l'outil en état par un réparateur agréé.
3. Se servir de l'outil avec précaution :
  - Ne jamais l'exposer à la pluie.
  - Garder la chaîne affûtée, propre et lubrifiée pour améliorer le rendement et la sécurité.
  - Suivre la procédure décrite dans ce manuel pour l'affûtage de la chaîne.
  - Garder les poignées sèches, propres et sans traces d'huile ou de graisse.
  - Garder vis et écrous bien serrés.
  - Inspecter souvent le cordon d'alimentation électrique. S'il est abîmé, le faire remettre en état par un réparateur agréé.
  - Ne jamais transporter la tronçonneuse en la tenant par le cordon d'alimentation électrique.
  - Ne jamais tirer sur le cordon pour débrancher la fiche de la prise de courant.
  - Tenir le cordon à l'écart de la chaleur, de l'huile et des bords coupants.
  - Inspecter souvent les rallonges et les remplacer si elles sont abîmées.
4. Pour la réparation, utiliser uniquement des pièces de rechange identiques.
5. Lorsqu'on ne s'en sert pas, toujours ranger la tronçonneuse
  - dans un endroit en hauteur ou verrouillé, hors de la portée des enfants,
  - dans un endroit sec,
  - dans une malette de transport ou avec un fourreau recouvrant la guide-chaîne.

### DÉBALLAGE

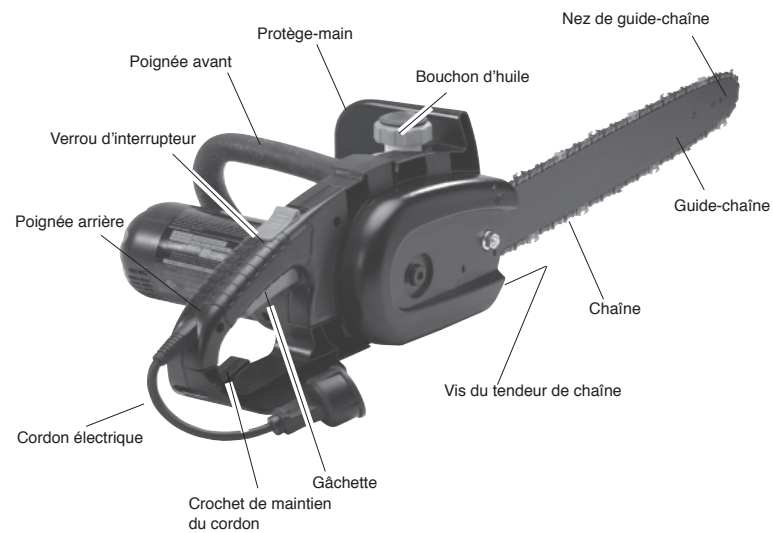
1. Sortir du carton toutes les pièces.
2. Vérifiez tous les articles pour vous assurer qu'ils n'ont pas été endommagés lors de l'expédition. Si vous trouvez des dommages ou s'il manque des pièces, contactez les services techniques au 1-800 626-2237 pour obtenir rapidement une réponse.

### CONSERVER CES DIRECTIVES

## IDENTIFICATION DU PRODUIT



**Modèles: M15012US, M15014AS, M30016US, M30016AS**



**Modèles: M30016AW, M35016AW**

FRANÇAIS

## VOCABULAIRE DE LA TRONÇONNEUSE

---

**Abattage** Coupe d'un arbre.

**Cale** Bloc ou coin servant à empêcher le bois de bouger.

**Chaîne** Boucle de chaîne ayant des dents tranchantes pour couper le bois. C'est le moteur qui entraîne la chaîne. La guide-chaîne soutient la chaîne.

**Chaîne à faible recul** Chaîne qui réduit le risque de recul selon la norme CSA Z62.3.

**Chaîne de rechange** Chaîne conforme à la norme CSA Z62.3 quand elle est utilisée avec une tronçonneuse spécifique. Il se peut qu'elle ne soit pas conforme aux exigences CSA quand elle est utilisée avec d'autres tronçonneuses.

**Coupe d'abattage** Coupe finale pour l'abattage d'un arbre. Faire cette entaille du côté opposé au sifflet.

**Dispositif de lubrification** Système de lubrification de la guide-chaîne et de la chaîne.

**Dispositif de retenue du guide-chaîne** Dispositif comparable à un écrou qui fixe en place le guide-chaîne pendant le montage et l'utilisation de la scie mécanique.

**Ébranchage** Coupe des branches d'un arbre abattu.

**Écran de protection avant de la main** Protection située entre la poignée avant et la guide-chaîne. Protège la main gauche pendant l'utilisation de la tronçonneuse.

**Entaille par le dessous** Entaille effectuée vers le haut à partir du dessous d'une bille ou d'une branche. Ceci se fait en position normale de coupe et en coupant avec le haut de la guide-chaîne.

**Gâchette** Dispositif qui met en marche et arrête la tronçonneuse. Quand on appuie sur la gâchette, la tronçonneuse se met en marche. Elle s'arrête quand on lâche la gâchette.

**Groupe moteur** Tronçonneuse sans chaîne ni guide-chaîne. Aussi nommé carter.

**Guide-chaîne à recul réduit** Guide-chaîne qui réduit le risque de recul.

**Guide-chaîne** Lame métallique qui prolonge le carter de la tronçonneuse. La guide-chaîne soutient et guide la chaîne.

**Interrupteur** Dispositif qui ferme ou ouvre le circuit électrique du moteur de la tronçonneuse.

**Monocoque** Corps de la scie mécanique.

**Nez de guide-chaîne** Bout ou extrémité de la guide-chaîne.

**Pignon** Roue dentée qui entraîne la chaîne.

**Poignée arrière** Poignée située à l'arrière du carter.

**Poignée avant** Située à l'avant du carter de la tronçonneuse.

**Pointe pare-chocs** Dent pointue située à l'avant du carter, à côté de la guide-chaîne. Garder la pointe pare-chocs contre le bois lors de l'abattage ou du tronçonnage. Elle facilite le maintien de la position de la tronçonneuse pendant la coupe.

**Position normale de coupe** Position à tenir pendant le tronçonnage et l'abattage.

**Poussée (recul, pincement)** Poussée brusque en arrière de la tronçonneuse. Peut se produire si la partie de la chaîne sur le haut de la guide-chaîne est pincée, prise ou touche un objet étranger.

**Recul** Mouvement brusque vers l'arrière et vers le haut de la guide-chaîne. Le recul peut se produire quand le bout de la guide-chaîne touche un objet pendant le mouvement de la chaîne. La guide-chaîne fait alors un mouvement brusque vers le haut et vers l'arrière, en direction de l'utilisateur.

**Sifflet** Entaille en forme d'encoche faite dans un arbre qui dirige sa chute.

**Taille (élagage)** Coupe des branches d'un arbre sur pied.

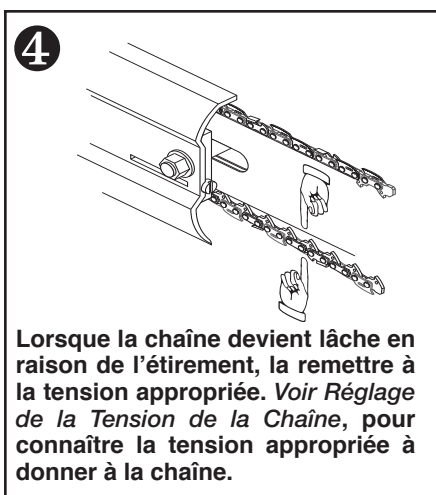
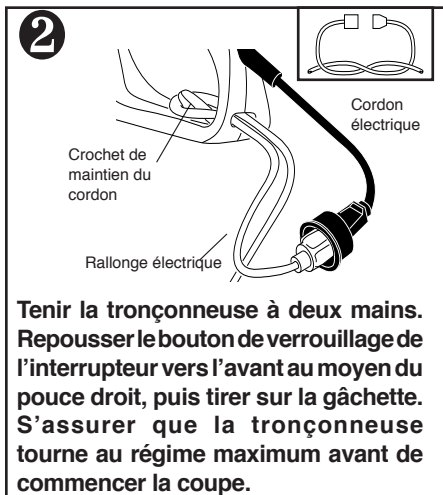
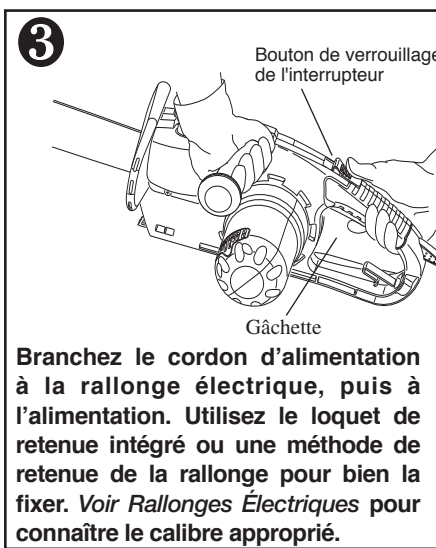
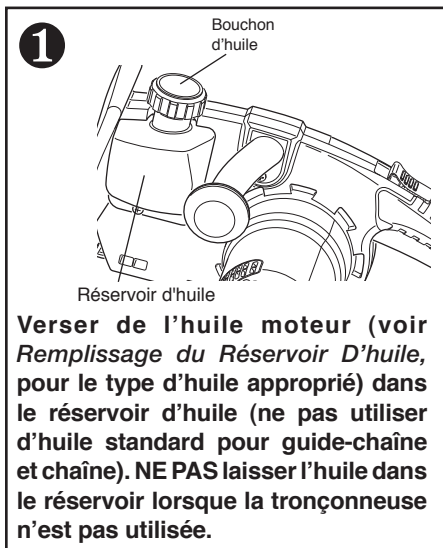
**Tringlerie d'interrupteur** Ce dispositif relie l'interrupteur à la gâchette. Il déplace l'interrupteur quand on appuie sur la gâchette.

**Tronçonnage** Coupe d'un arbre abattu ou d'une bille en tronçons.

**Verrou d'interrupteur** Dispositif qui réduit le risque de mise en marche involontaire de la tronçonneuse.

## GUIDE DE DÉMARRAGE RAPIDE

Si vous êtes familiarisé avec les tronçonneuses et avec leur utilisation appropriée, et si la tronçonneuse que vous avez achetée était déjà assemblée, utilisez le *Guide de Démarrage Rapide* pour commencer sans tarder à vous servir de votre tronçonneuse Remington.



FRANÇAIS



**Pour des renseignements complets sur votre tronçonneuse et son utilisation appropriée, vous devez lire et comprendre le présent guide du propriétaire.**

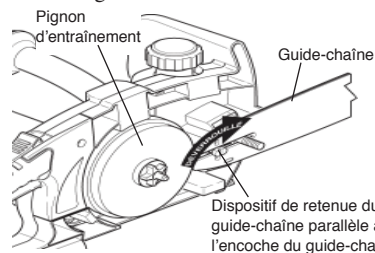
## MONTAGE

**Note :** Sur les modèles pré-assemblés, voir *Réglage de la tension de la chaîne*.

**⚠ AVERTISSEMENT :** Les dents de la chaîne sont coupantes. Porter des gants protecteurs pour manipuler la chaîne.

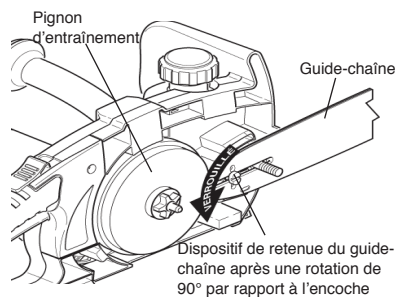
**IMPORTANT :** Ne pas pincer la scie dans un étau durant le montage.

1. Déposer la chaîne à plat.
2. Dévisser et retirer l'écrou du guide-chaîne et le couvercle du pignon.
3. Faire tourner le dispositif de retenue du guide-chaîne de façon qu'il soit parallèle à l'encoche du guide-chaîne (voir la Figure 4).
4. Installer le guide-chaîne sur le corps de la scie. Insérer l'encoche centrale du guide-chaîne sur le boulon et sur le dispositif de retenue du guide-chaîne. **Note :** S'assurer que la tête du dispositif de retenue passe bien à travers l'encoche du guide-chaîne, comme illustré dans la Figure 4.



**Figure 2 - Déverrouillage du dispositif de retenue du guide-chaîne**

5. Faire tourner le dispositif de retenue du guide-chaîne de 90 degrés, comme illustré dans la Figure 5.

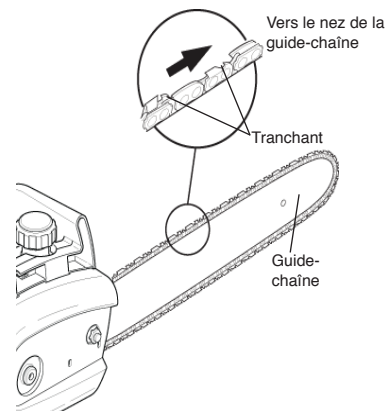


**Figure 3 - Verrouillage du dispositif de retenue du guide-chaîne**

[www.remingtonpowertools.com](http://www.remingtonpowertools.com)

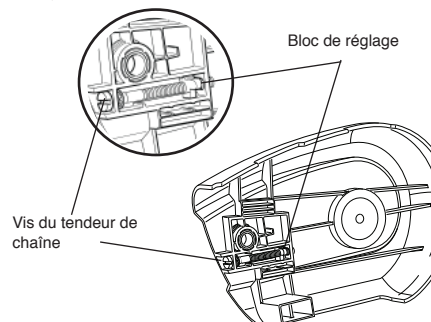
6. Faites passer la chaîne autour du pignon d'entraînement, dans la rainure du guide-chaîne, puis autour de l'extrémité du guide-chaîne. **Note :** Assurez-vous que les « couteaux » de la chaîne sont orientés dans la direction appropriée. Placez la chaîne de sorte que les couteaux sur le dessus du guide-chaîne pointent en direction de l'extrémité de ce dernier (voir la Figure 4 et l'indicateur sur le couvercle latéral de la tronçonneuse).

**⚠ AVERTISSEMENT :** Ne pas placer la chaîne à l'envers sur la scie. Si la chaîne est placée à l'envers, la scie vibre fortement et ne coupe pas.



**Figure 4 - Sens de la chaîne**

7. Avant de fixer le couvercle du pignon au corps de la tronçonneuse, faites tourner la vis de tensionnement de la chaîne dans le sens antihoraire, jusqu'au bout. Le bloc de réglage sera alors placé à l'extrémité de la vis de tensionnement de la chaîne (voir la Figure 5).



**Figure 5 - Emplacement de la vis du tendeur de chaîne et du bloc de réglage**

56



## MONTAGE

- Éloignez le guide-chaîne du corps de la tronçonneuse de sorte que le guide soit placé de façon à tendre la chaîne (voir la Figure 6).

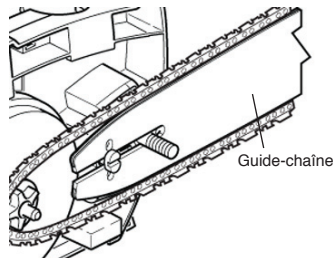


Figure 6 - Éloignez le guide-chaîne

- Insérez la languette du couvercle de pignon dans la rainure du corps de la tronçonneuse (étape 1). Placez ensuite le couvercle de pignon sur le boulon du guide-chaîne (étape 2 - voir la Figure 7). **NOTE** : Le couvercle de pignon n'est alors pas à effleurement avec le corps de la tronçonneuse.

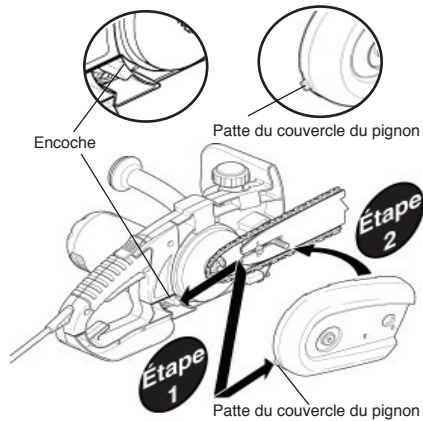


Figure 7 - Installation du couvercle du pignon

- Serrez à la main l'écrou du guide-chaîne sur le boulon (voir la Figure 8).

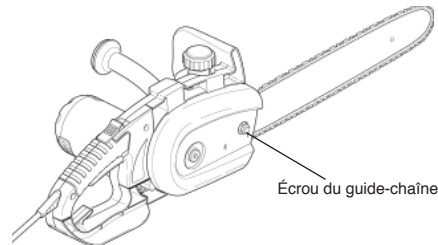


Figure 8 - Boulon de guide-chaîne

- Faites doucement glisser le guide-chaîne dans le corps de la tronçonneuse jusqu'à ce que le bloc de réglage s'insère dans l'orifice de réglage du guide-chaîne. **NOTE** : Cela verrouille le guide-chaîne en place. Vous ne devriez pas être en mesure de tirer sur le guide-chaîne ni de le repousser.
- Resserrez l'écrou du guide-chaîne à la main.
- Rajustez la tension de la chaîne. Suivez les étapes de la section Réglage de la tension de la chaîne.

FRANÇAIS

## RÉGLAGE DE LA TENSION DE LA CHAÎNE

**⚠ AVERTISSEMENT** : Avant de régler la tension de la chaîne, débrancher le cordon de la prise de courant.

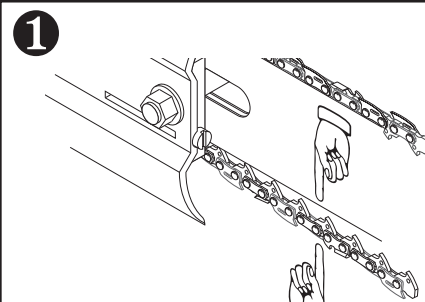
**⚠ AVERTISSEMENT** : Les tranchants de la chaîne sont affûtés. Porter des gants de protection pour manipuler la chaîne.

**⚠ AVERTISSEMENT** : Toujours maintenir la chaîne tendue correctement. Une chaîne détendue augmente le risque de recul. De plus, elle risque de sauter hors de la rainure de la guide-chaîne. Ceci pourrait blesser l'utilisateur et endommager la chaîne. En outre, une chaîne détendue provoque l'usure rapide de la chaîne, de la guide-chaîne et du pignon.

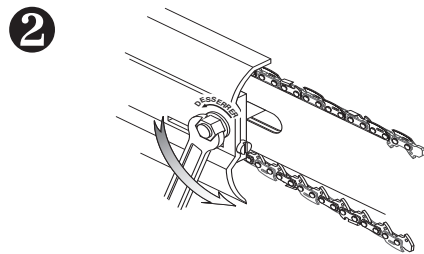
### IMPORTANT

Si vous ne respectez pas ces directives au moment d'augmenter la tension de la chaîne, vous risquez d'endommager la scie et d'annuler du même coup la garantie. Pour plus de détails, faites le 1-800-626-2237.

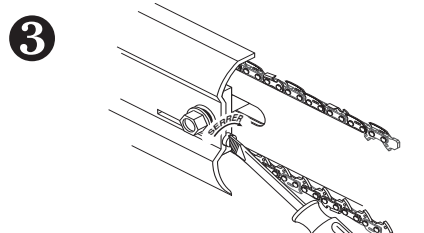
Les nouvelles chaînes ont tendance à s'étirer. Vérifiez fréquemment la tension de la chaîne les premières fois que vous vous en servez; resserrez la chaîne lorsqu'elle semble lâche au niveau du guide-chaîne.



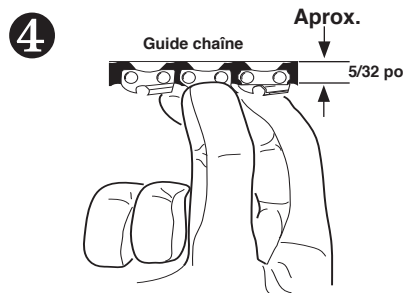
**1** Si la chaîne devient lâche au niveau du guide-chaîne, laissez-la d'abord refroidir, puis...



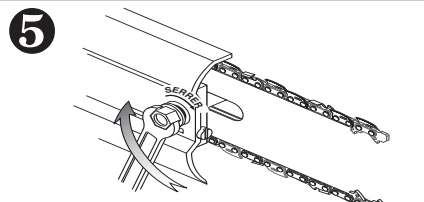
**2** Desserrer l'écrou...



**3** Tourner la vis du tendeur de chaîne dans le sens horaire pour tendre la chaîne...



**4** Tirez sur la chaîne pour en vérifier la tension. Les guides ne devraient pas sortir de l'encoche du guide-chaîne...



**5** Serrez l'écrou au moyen d'une clef. Un affaissement faible de 1/8 entre la chaîne et le fond de bar de guide est acceptable.

## UTILISATION DE LA TRONÇONNEUSE

**⚠ AVERTISSEMENT :** Il est recommandé de lire et comprendre ce manuel avant d'utiliser cette tronçonneuse. S'assurer d'avoir lu et compris toutes les directives de la rubrique **Consignes de Sécurité Importantes**. L'utilisation incorrecte de cette tronçonneuse peut entraîner des blessures graves ou la mort, résultant d'un incendie, de chocs électriques, d'un contact du corps avec la chaîne en mouvement ou de la chute de bois.

### REPLISSAGE DU RÉSERVOIR D'HUILE

1. Enlever le bouchon d'huile.
2. Remplir le réservoir d'huile avec de l'huile moteur SAE#30.

**Note :** Pour les températures inférieures à -1 °C (30°F), utiliser de l'huile SAE#10. Pour les températures supérieures à 24°C (75°F), utiliser de l'huile SAE#40. **N'UTILISEZ PAS** d'huile à chaîne standard.

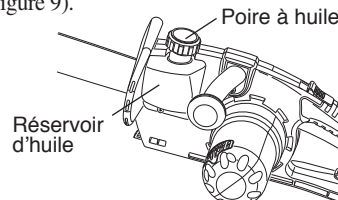
3. Remettre le bouchon d'huile immédiatement en place. Bien le visser pour qu'il soit étanche. Ceci évite les fuites d'huile.
4. Essuyer l'excédent d'huile.

**Note :** Il est normal que l'huile suinte lorsque la tronçonneuse n'est pas utilisée. Vider le réservoir d'huile, visser le bouchon et ranger la scie à l'envers après chaque usage pour empêcher l'huile de suinter.

### LUBRIFICATION DE LA CHAÎNE

#### Système de lubrification manuel

Vérifier toujours le niveau d'huile avant d'utiliser la tronçonneuse. Ne pas essayer d'utiliser le système de lubrification pendant que la tronçonneuse est en marche. Pour lubrifier la chaîne, appuyez sur la poire. De l'huile se propage sur la guide-chaîne et la chaîne. Appuyez sur la poire au moins une fois avant chaque coupe. Vérifier régulièrement le niveau de l'huile en regardant à travers les parois du réservoir (voir la Figure 9).



**Figure 9 - Emplacement de la poire et du réservoir à huile**

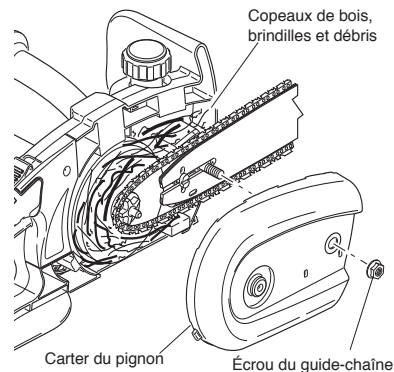
### NETTOYAGE DES DÉBRIS DU COUVERCLE DU PIGNON

Pendant l'utilisation de la scie mécanique, il arrive que des copeaux de bois, des brindilles et d'autres débris s'accumulent à l'intérieur du couvercle du pignon. Pour assurer l'entretien et le bon fonctionnement de la scie, vous devez périodiquement nettoyer le couvercle du pignon. Pour ce faire :

1. Débrancher la scie mécanique.
2. Dévisser et retirer l'écrou du guide-chaîne (voir la Figure 10).
3. Faire tourner la vis du tendeur de chaîne dans le sens antihoraire jusqu'à ce que le couvercle du pignon puisse être facilement retiré.
4. Une fois le couvercle retiré, enlever les copeaux, les brindilles et les débris.

**⚠ AVERTISSEMENT :** Faire preuve d'une extrême prudence lors du nettoyage des débris près de la chaîne. Les dents de la scie sont très affûtées. Porter des gants protecteur dès que vous devez travailler près de la chaîne ou pour la manipuler.

5. Une fois les débris retirés, suivre les étapes 7 à 13 des pages 56 à 57 de la section *Montage* pour remettre le couvercle du pignon en place sur la scie mécanique.



**Figure 10 - Retrait du couvercle du pignon et élimination des débris**

FRANÇAIS

## UTILISATION DE LA TRONÇONNEUSE

### RALLONGES ÉLECTRIQUES

Avec cette tronçonneuse, utiliser la rallonge correcte. Utiliser uniquement des rallonges spécifiées pour l'usage à l'extérieur. La rallonge doit être marquée avec le suffixe W ou W-A après la désignation du type de cordon. **Exemple** : SJTW-A ou SJTW.

Utiliser un cordon de taille correcte avec cette tronçonneuse. Le diamètre du cordon doit être suffisant pour transporter le courant nécessaire. Un cordon de dimension insuffisante provoquera une chute de tension au niveau de la tronçonneuse. Le tronçonneuse perdra de la puissance et surchauffera. Suivre les recommandations figurant ci-dessous pour les tailles de cordon nécessaires.

Longueur du cordon	Taille AWG du cordon
7,50 m (25 pieds)	16 AWG
15 m (50 pieds)	16 AWG
30 m (100 pieds)	16 AWG
45 m (150 pieds)	14 AWG

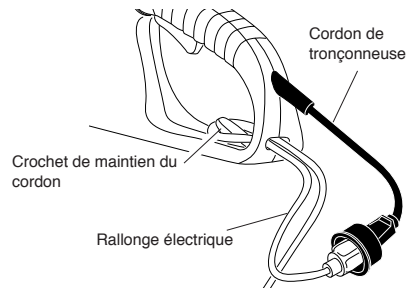
**Modèles** : M15012US, M15014AS

Longueur du cordon	Taille AWG du cordon
7,50 m (25 pieds)	16 AWG
15 m (50 pieds)	16 AWG
30 m (100 pieds)	14 AWG
45 m (150 pieds)	12 AWG

**Modèles** : M30016US, M30016AS, M30016AW, M35016AW

Tenir le cordon éloigné de la zone de coupe. S'assurer qu'il n'est pas accroché dans les branches ou billes durant la coupe. Inspecter souvent les cordons électriques. Les remplacer quand ils sont endommagés.

Cette tronçonneuse est conçue avec un crochet de maintien de la rallonge électrique qui évite qu'une traction ne débranche la rallonge électrique lors de l'emploi. Pour l'utiliser, former une boucle avec l'extrémité de la rallonge électrique, insérer la boucle dans la fente à l'arrière de la poignée et placer la boucle sur le crochet de maintien de la rallonge (voir la Figure 11). Tirer doucement la boucle contre le crochet de maintien de la rallonge jusqu'à ce qu'il n'y ait plus de jeu. Brancher la rallonge électrique au cordon d'alimentation de la tronçonneuse.



**Figure 11 - Boucle de la rallonge électrique sur le crochet de maintien du cordon**

### SCIAGE AVEC LA TRONÇONNEUSE

1. Relier la tronçonneuse à une rallonge électrique. Brancher la rallonge à une prise de courant.
2. La section de bille à tronçonner ne doit pas se trouver sur le sol. Ceci évite que la chaîne ne touche le sol à la fin du tronçonnage. Une chaîne en mouvement qui touche le sol s'émousse.
3. Se servir des deux mains pour tenir la tronçonneuse. Toujours utiliser la main gauche pour saisir la poignée avant et la main droite pour saisir la poignée arrière. Tenir fermement. Les pouces et les doigts doivent entourer les poignées. (voir la Figure 12, page 61)
4. Veiller à maintenir un bon équilibre. Garder les pieds écartés. Répartir le poids également sur les deux pieds.
5. Lorsqu'on est prêt à faire une coupe, pousser complètement vers l'avant avec le pouce droit le bouton de verrouillage et appuyer sur la gâchette (voir la Figure 12, page 61). Ceci met la tronçonneuse en marche. Elle s'arrête quand on lâche la gâchette. S'assurer que la chaîne tourne à la vitesse maximum avant d'entamer l'entaille.
6. Au moment d'entamer l'entaille, placer la chaîne en mouvement contre le bois. Tenir la tronçonneuse fermement en place pour éviter qu'elle rebondisse ou dérape (mouvement latéral).
7. Guider l'outil en exerçant une légère pression. Ne pas forcer dessus. Le moteur serait surchargé et pourrait griller. Il fonctionnera de façon plus efficace et plus sûre à la vitesse pour laquelle il a été prévu.
8. Retirer la tronçonneuse d'une coupe en gardant la tronçonneuse à pleine vitesse. Arrêter la tronçonneuse en relâchant la gâchette. S'assurer que la chaîne est arrêtée avant de poser la tronçonneuse.

## UTILISATION DE LA TRONÇONNEUSE

9. S'exercer à scier jusqu'à ce qu'on puisse maintenir une allure régulière.

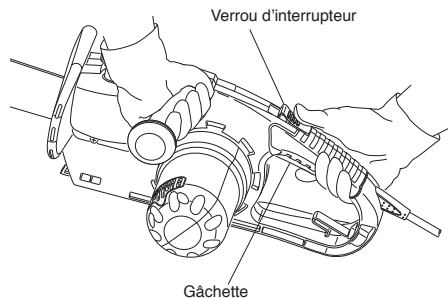


Figure 12 - Emplacement du bouton de verrouillage et de la gâchette

### ABATTAGE D'UN ARBRE

#### ⚠ AVERTISSEMENT :

- Éviter la réaction de recul qui peut provoquer des blessures graves ou la mort. voir *Recul* pour éviter les risques de recul.
- Ne pas abattre d'arbres si l'on ne possède pas l'expérience suffisante et si l'on ne dispose pas d'assistance expérimentée.
- Ne pas laisser les enfants, animaux et personnes présentes s'approcher de l'endroit où l'arbre pourrait tomber.
- Si deux ou plusieurs personnes participent aux travaux de tronçonnage et d'abattage en même temps, prévoir un espace suffisant entre les différentes opérations. Il faut une distance au moins égale à deux fois la hauteur de l'arbre à abattre.

⚠ AVERTISSEMENT : Lors de l'abattage d'un arbre, bien étudier les alentours. Ne mettre personne en danger. Veiller à ne pas heurter de lignes de services publics et à ne pas causer de dégâts matériels. Si l'arbre heurte une ligne de service public, contacter immédiatement les responsables.

L'abattage est la coupe d'un arbre entier. Veiller à maintenir un bon équilibre. Garder les pieds écartés. Répartir le poids également sur les deux pieds. Procéder de la façon suivante pour l'abattage d'un arbre.

#### Avant d'abattre un arbre

1. Avant d'abattre un arbre, l'inspecter. S'assurer qu'il n'y a pas de branches mortes qui pourraient tomber sur l'utilisateur. Étudier l'inclinaison naturelle de l'arbre, l'emplacement des grosses branches et la direction du vent. Ceci aide à juger où l'arbre va tomber.
2. Dégager la zone de travail tout autour de l'arbre.
3. Avant d'abattre un arbre, prévoir un chemin de dégagement et le dégager. Le prévoir à l'opposé de la direction de chute de l'arbre et à un angle de 45°. (voir la Figure 13)

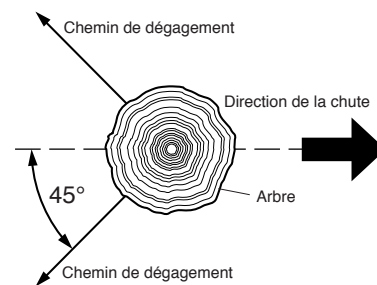


Figure 13 - Chemin de dégagement pour s'éloigner de l'arbre

4. Débarrasser l'arbre où l'on va effectuer les entailles de saleté, cailloux, écorce détachée, clous, agrafes et fil de fer qui pourraient s'y trouver.
5. Lors de l'abattage d'un arbre, rester du côté amont de la pente car il pourrait rouler ou glisser après sa chute.

#### Procédure d'abattage

##### A) Sifflet d'abattage

Un sifflet d'abattage correctement placé permet de déterminer la direction de la chute de l'arbre. Placer le sifflet d'abattage du côté de l'arbre où l'on veut qu'il tombe. (voir la Figure 14, page 62) Procéder de la façon suivante pour faire le sifflet.

1. Faire l'entaille inférieure aussi près du sol que possible. Tenir la tronçonneuse de manière à ce que la guide-chaîne soit horizontale. Tailler sur 1/3 du diamètre du tronc d'arbre (voir la Figure 14).

FRANÇAIS

## UTILISATION DE LA TRONÇONNEUSE

**Note :** Toujours commencer par faire cette entaille inférieure horizontale. Si l'on fait cette entaille en second, l'arbre risque de pincer la chaîne ou la guide-chaîne.

- Entamer l'entaille supérieure au-dessus de la 1ère entaille, à une distance égale à la profondeur de cette dernière.

**Exemple :** Si l'entaille inférieure a 20 cm (8 po) de profondeur, commencer l'entaille supérieure à 20 cm au-dessus de cette dernière. Scier vers le bas à un angle de 45°. L'entaille supérieure doit rencontrer l'extrémité de l'entaille inférieure. (voir la Figure 14.)

- Enlever le morceau de tronc créé par les deux entailles.

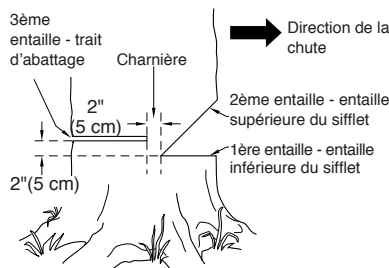


Figure 14 - Abattage d'un arbre

### B) Trait d'abattage

- De l'autre côté de l'arbre, faire le trait d'abattage à 5 cm (2 po) au-dessus de l'entaille inférieure du sifflet (voir la Figure 14). Faire le trait parallèle à l'entaille inférieure.
- Scier en direction du sifflet.

**AVERTISSEMENT :** Ne pas scier l'arbre complètement. Laisser environ 5 cm (2 po) de bois non scié directement derrière le sifflet d'abattage. (voir la Figure 14.) Cette partie non sciée sert de charnière. La charnière empêche l'arbre de se tordre et de tomber dans la mauvaise direction.

- Lorsque le trait d'abattage approche de la charnière, l'arbre doit commencer à tomber. **Note :** Si nécessaire, enfoncer des coins dans le trait d'abattage pour contrôler la direction de la chute. Si l'arbre revient en arrière et pince la chaîne, enfoncer des coins dans le trait d'abattage pour libérer la tronçonneuse. Utiliser uniquement des coins en plastique, en bois ou en aluminium. Ne jamais utiliser de coin en acier. Ceci provoquerait une réaction de recul qui risquerait d'endommager la chaîne.

- Lorsque l'arbre commence à tomber, faire très rapidement les opérations suivantes :
  - sortir la tronçonneuse du trait d'abattage ;
  - lâcher la gâchette pour arrêter la tronçonneuse ;
  - poser la tronçonneuse sur le sol ;
  - s'éloigner par le chemin de dégagement.

**AVERTISSEMENT :** Surveiller les branches qui tombent. Regarder où l'on met les pieds en s'éloignant.

### ÉBRANCHAGE

**AVERTISSEMENT :** Éviter la réaction de recul qui peut provoquer des blessures graves ou la mort. Voir *Recul* pour éviter les risques de recul.

**AVERTISSEMENT :** Pour couper une branche sous tension, faire très attention. Veiller au bois qui fait ressort : quand la tension disparaît, la branche projetée risque de heurter l'utilisateur, entraînant des blessures graves ou la mort.

L'ébranchage est la coupe des branches d'un arbre tombé. Veiller à maintenir un bon équilibre. Garder les pieds écartés. Répartir le poids également sur les deux pieds. Ne pas retirer les grosses branches sous l'arbre qui soutiennent le tronc surélevé. Retirer chaque branche d'une seule coupe. (voir la Figure 15.) Dégager souvent la zone de travail en écartant le bois coupé. Ceci contribue à la sécurité du travail.

Veiller à entamer l'entaille à un endroit où la branche ne pincera pas la tronçonneuse durant la coupe. Pour éviter le pincement, entamer l'entaille sur des branches libres, à partir du dessus de la branche. Pour les branches sous tension, entamer l'entaille à partir du dessous de la branche. En cas de pincement, arrêter la tronçonneuse, soulever la branche puis retirer l'outil.

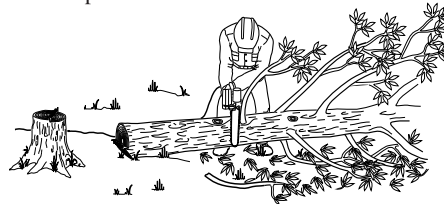


Figure 15 - Ébranchage d'un arbre

## UTILISATION DE LA TRONÇONNEUSE

### TRONÇONNAGE D'UNE BILLE

**⚠ AVERTISSEMENT :** Éviter la réaction de recul qui peut provoquer des blessures graves ou la mort. Voir *Recul* pour éviter les risques de recul.

**⚠ AVERTISSEMENT :**

- Si l'on se trouve sur une pente, s'assurer que la bille ne roulera pas. La maintenir en place à l'aide de piquets de bois. Enfoncer les piquets dans le sol du côté aval par rapport à la bille. Se tenir du côté amont de la bille pour tronçonner car les tronçons risquent de rouler.
- Ne jamais essayer de tronçonner deux billes à la fois. Ceci pourrait augmenter le risque de recul.
- Pendant le tronçonnage d'une bille, ne jamais tenir la bille avec la main, la jambe ou le pied.
- Pendant le tronçonnage d'une bille, ne jamais laisser quelqu'un d'autre tenir la bille.
- Arrêter la tronçonneuse et la débrancher avant de la déplacer d'un endroit à un autre.

Le tronçonnage d'une bille se fait en la coupant en tronçons. Veiller à maintenir un bon équilibre. Garder les pieds écartés. Répartir le poids également sur les deux pieds. Se tenir légèrement à gauche de la tronçonneuse. Ceci évite que le corps ne soit en prolongement direct de la chaîne. Autant que possible, soulever la bille ou le tronçon au-dessus du sol. Pour ce faire, utiliser des branches, tronçons, cales, etc.

Pendant le tronçonnage de la bille, maintenir le contrôle en réduisant la pression vers la fin du tronçonnage. Ne pas relâcher les poignées de la tronçonneuse. Veiller à ce que la chaîne en mouvement ne touche pas le sol car cela l'émousserait. Après le tronçonnage, lâcher la gâchette pour arrêter la tronçonneuse avant de la déplacer.

Procéder de la façon suivante pour tronçonner une bille.

### Toute la bille repose au sol.

Tronçonner la bille à partir du dessus (voir la Figure 16).

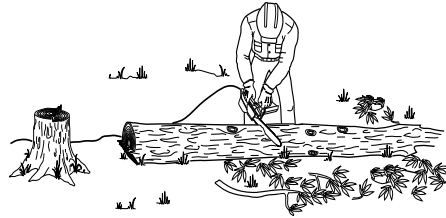


Figure 16 - Tronçonnage d'une bille qui repose entièrement au sol

### La bille est soutenue à une extrémité.

1. Faire la première entaille sur le dessous de la bille. (voir la Figure 17.) Pour ce faire, utiliser le haut de la guide-chaîne. Scier sur le tiers du diamètre de la bille. Cette entaille permet d'éviter la production d'éclats de bois.
2. Faire la seconde entaille directement au-dessus de la première. Aller jusqu'à la rencontre de la première entaille. Ceci permet d'éviter le pincement de la guide-chaîne et de la chaîne.

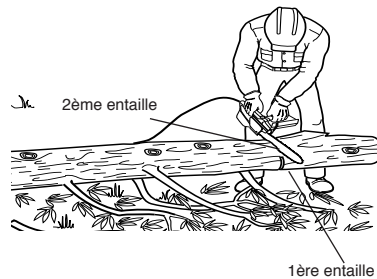


Figure 17 - Tronçonnage d'une bille soutenue à une extrémité

FRANÇAIS

## UTILISATION DE LA TRONÇONNEUSE

### La bille est soutenue aux deux extrémités.

1. Faire la première entaille à partir du dessus de la bille (voir la Figure 18). Scier sur le tiers du diamètre de la bille. Cette entaille permet d'éviter la production d'éclats de bois.
2. Faire la seconde entaille sur le dessous de la bille, directement au-dessous de la première. Pour ce faire, utiliser le haut de la guide-chaîne. Aller jusqu'à la rencontre de la première entaille. Ceci permet d'éviter le pincement de la guide-chaîne et de la chaîne.

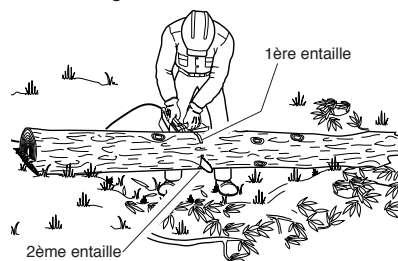


Figure 18 - Tronçonnage d'une bille soutenue aux deux extrémités

### TAILLE D'UN ARBRE (Élagage)

**AVERTISSEMENT : ÉVITER LA RÉACTION DE REcul QUI PEUT PROVOQUER DES BLESSURES GRAVES OU LA MORT. VOIR REcul POUR ÉVITER LES RISQUES DE REcul.**

**AVERTISSEMENT : Ne pas utiliser la tronçonneuse quand on est :**

- dans un arbre,
- sur une échelle ou toute autre surface instable,
- dans une position instable.

On risque de perdre le contrôle de l'outil, ce qui peut provoquer des blessures graves.

**AVERTISSEMENT : Ne pas couper de branches au-dessus de la hauteur de l'épaule.**

**AVERTISSEMENT : Si l'utilisateur estime les conditions de travail au-delà de ses capacités, il lui est conseillé de faire appel à un professionnel.**

La taille d'un arbre est la coupe des branches de l'arbre sur pied. Veiller à maintenir un bon équilibre. Garder les pieds écartés. Répartir le poids également sur les deux pieds. Procéder de la façon suivante pour la taille d'un arbre.

1. Faire la première entaille à 15 cm (6 po) du tronc, sur le dessous de la branche. Utiliser le haut de la guide-chaîne pour faire cette entaille. Couper sur 1/3 du diamètre de la branche (voir la Figure 19).
2. Avancer de 5 à 10 cm (2 à 4 po) plus loin sur la branche. Faire la seconde entaille à partir du dessus de la branche. Continuer jusqu'à ce que la branche soit sectionnée.
3. Faire la 3ème entaille aussi près du tronc que possible, sur le dessous du reste de la branche. Utiliser le haut de la guide-chaîne pour faire cette entaille. Couper sur 1/3 du diamètre du reste de la branche.
4. Faire la 4ème entaille juste au-dessus de la 3ème. Tailler pour rencontrer la 3ème entaille. Ceci enlève le reste de la branche.

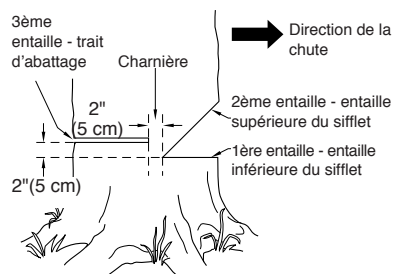


Figure 19 - Coupe d'une branche



## NETTOYAGE ET ENTRETIEN

**AVIS :** Les instructions pour l'entretien de la tronçonneuse se trouvent ci-dessous. Tout entretien qui n'est pas mentionné ci-dessous doit être effectué par un réparateur agréé.

### NETTOYAGE DU CARTER DE TRONÇONNEUSE

**⚠ AVERTISSEMENT :** Avant de procéder à l'entretien, débrancher la tronçonneuse de la prise de courant. Des blessures graves ou la mort peuvent être provoquées par les chocs électriques et le contact du corps avec la chaîne en mouvement.

**⚠ AVERTISSEMENT :** Les tranchants de la chaîne sont affûtés. Porter des gants de protection pour manipuler la chaîne.

**⚠ AVERTISSEMENT :** Pour nettoyer le carter de la tronçonneuse :

- Ne pas la plonger dans un liquide.
- Ne pas utiliser de produits contenant de l'ammoniaque, du chlore ou des abrasifs.
- Ne pas utiliser de solvants de nettoyage au chlore, de tétrachlorure de carbone, de kérosène ni d'essence.

Maintenir propre le carter de la tronçonneuse. Utiliser un chiffon doux imprégné d'un mélange d'eau et de savon doux. Essuyer le carter.

### ENTRETIEN DE LA GUIDE-CHAÎNE

La plupart des problèmes de guide-chaîne sont causés par son usure inégale. La cause en est souvent l'affûtage incorrect des taillants de la chaîne et le réglage incorrect des limiteurs de profondeur. Lorsque la guide-chaîne s'use de manière inégale, sa rainure s'élargit. (voir la Figure 20.) Ceci fait claquer la chaîne et sauter les rivets. La tronçonneuse ne peut plus scier droit. Il faut dans ce cas remplacer la guide-chaîne.

Inspecter la guide-chaîne avant d'affûter la chaîne. Une guide-chaîne usée ou endommagée présente des dangers. Elle endommage la chaîne. Le sciage devient également plus difficile.

### Entretien normal de la guide-chaîne

1. Sortir la guide-chaîne de la tronçonneuse.
2. Retirer périodiquement la sciure se trouvant dans la rainure de la guide-chaîne. Utiliser un couteau à mastic ou un morceau de fil de fer (voir la Figure 20).
3. Nettoyer les fentes à huile après chaque journée d'utilisation.
4. Éliminer les ébarbures des côtés de la guide-chaîne. Utiliser une lime plate pour redresser les bords.

Remplacer la guide-chaîne quand :

- la lame est tordue ou fendue,
- la rainure interne de la lame est très usée.

**Note :** Pour le remplacement de la guide-chaîne, consulter le paragraphe *Pièces de Rechange et Accessoires* pour connaître la guide-chaîne correcte à utiliser.

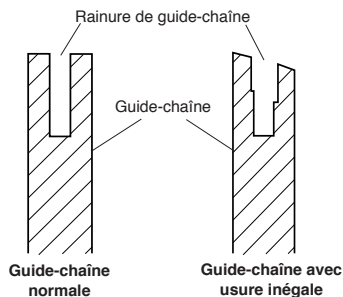


Figure 20 - Coupe transversale d'une guide-chaîne montrant une usure inégale

FRANÇAIS

## NETTOYAGE ET ENTRETIEN

### AFFÛTAGE DE LA CHAÎNE

**⚠ AVERTISSEMENT : Avant de procéder à l'entretien, débrancher la tronçonneuse de la prise de courant. Des blessures graves ou la mort peuvent être provoquées par les chocs électriques et le contact du corps avec la chaîne en mouvement.**

**⚠ AVERTISSEMENT : Les tranchants de la chaîne sont affûtés. Porter des gants de protection pour manipuler la chaîne.**

Maintenir la chaîne affûtée. La tronçonneuse scie plus rapidement et de façon plus sécuritaire. Une chaîne émoussée provoque l'usure prématurée du pignon, de la guide-chaîne, de la chaîne et du moteur. Si l'utilisateur est contraint de forcer sur la chaîne pour la faire entrer dans le bois et si le sciage ne produit que de la sciure avec peu de gros copeaux, c'est que la chaîne est émoussée.

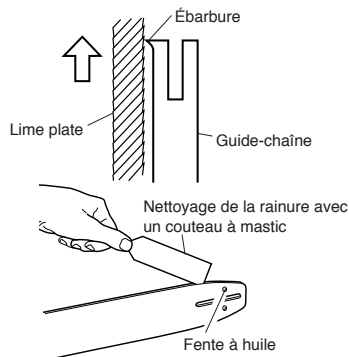


Figure 21 - Entretien de la guide-chaîne

### Outils nécessaires pour affûter la chaîne

Ces outils peuvent être achetés chez le concessionnaire local, dans une quincaillerie ou un dépôt de fournitures pour tronçonneuses.

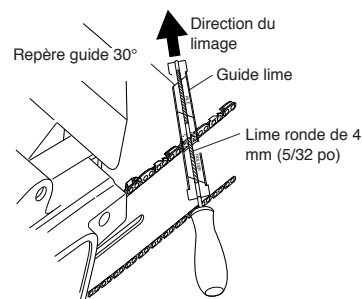
- lime ronde de 4 mm (5/32 po)
- outil pour limiteur de profondeur
- lime plate moyenne
- guide lime
- étau

### Affûtage des taillants

Utiliser le guide lime pour un limage à 30°.

1. Régler la chaîne à sa tension correcte (voir *Réglage de la Tension de la Chaîne*)
2. Serrer la guide-chaîne dans un étau pour immobiliser la tronçonneuse. **Note** : Ne pas serrer la chaîne.
3. Enfoncer la lime ronde de 4 mm (5/32 po) (attachée au guide lime) dans la rainure, entre la plaque supérieure et le limiteur de profondeur sur la chaîne. Le guide lime doit reposer sur la plaque supérieure et sur le limiteur de profondeur. (voir les Figure 22.)

**Note** : Limer au milieu de la guide-chaîne.



**Note** : Cette illustration représente la position du guide lime et la direction du limage pour l'affûtage des taillants du côté gauche de la chaîne.

Figure 22 - Position de la lime et du guide lime sur la chaîne

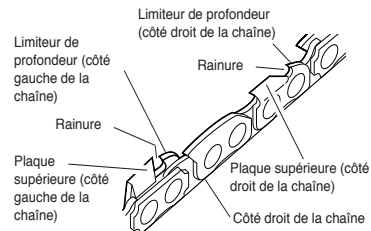


Figure 23 - Emplacement des pièces de la chaîne

4. Tenir le guide lime horizontal. S'assurer que le repère 30° du guide lime est parallèle à l'axe de la guide-chaîne (voir la Figure 22). Ceci permet de s'assurer que l'on lime les taillants à un angle de 30°.
5. Limer le taillant de l'intérieur vers l'extérieur, jusqu'à ce qu'il soit affûté. Ne limer que dans cette seule direction (voir la Figure 22). **Note** : 2 ou 3 coups de lime doivent affûter le taillant.
6. Une fois le taillant affûté, avancer la chaîne pour affûter le taillant suivant. Limer tous les taillants du même côté de la chaîne.
7. Passer de l'autre côté de la chaîne et répéter l'opération.

## NETTOYAGE ET ENTRETIEN

### Limage des limiteurs de profondeur des taillants

Le dégagement des limiteurs de profondeur des taillants est réduit lorsque ces derniers sont affûtés. Tous les 2 ou 3 affûtages, régler les limiteurs de profondeur.

1. Placer l'outil pour limiteur de profondeur fermement par-dessus 2 taillants. S'assurer que le limiteur de profondeur entre dans la fente de l'outil (voir la Figure 24).
2. Utiliser une lime plate moyenne. Limer le limiteur de profondeur avec l'outil.
3. Retirer l'outil. Avec la lime plate, arrondir le coin avant du limiteur de profondeur (voir la Figure 25).

Après plusieurs limages à la main, faire affûter la chaîne par un centre de réparation agréé ou dans une affûteuse. Ceci permet d'avoir un limage uniforme.

### REPLACEMENT DE LA CHAÎNE

Remplacer la chaîne lorsque les taillants sont trop usés pour être affûtés ou lorsque la chaîne casse. Utiliser uniquement la chaîne de rechange spécifiée dans ce manuel. Toujours remplacer le pignon d'entraînement par un neuf lors du remplacement de la chaîne. On obtient ainsi l'entraînement correct de la chaîne. **Note** : Pour connaître la chaîne et le pignon d'entraînement corrects à utiliser, voir *Pièces de Rechange et Accessoires*.

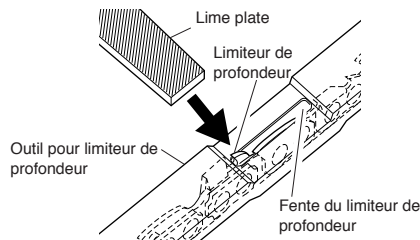


Figure 24 - Position de l'outil pour limiteur de profondeur sur la chaîne

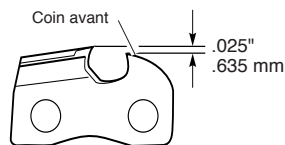


Figure 25 - Arrondir le coin avant du limiteur de profondeur

### CHAÎNES DE RECHANGE

Vous pouvez vous procurer une chaîne de rechange chez le quincaillier ou le centre de rénovation de votre localité.

Voici la liste des caractéristiques d'une telle chaîne.

Toutes les chaînes sont de calibre 0.050 et ont un pas de 3/8:

Les chaînes de 10 po possèdent 42 maillons-guide.

Les chaînes de 12 po possèdent 48 maillons-guide.

Les chaînes de 14 po possèdent 52 maillons-guide.

Les chaînes de 16 po possèdent 58 maillons-guide.

Vous pouvez aussi commander une chaîne de rechange à « l'atelier en ligne » à l'adresse [www.desatech.com](http://www.desatech.com) en utilisant le numéro de pièce inscrit dans la liste illustrée des pièces de rechange aux pages 72 à 73 de ce guide.

FRANÇAIS

---

## REMISAGE

Si l'on remise la tronçonneuse pour plus de 30 jours, procéder de la façon suivante :

1. Vidangez le réservoir d'huile après chaque utilisation.
2. Déposer la guide-chaîne et la chaîne et les nettoyer. Pour ce faire, les tremper dans un solvant à base de pétrole ou dans un mélange d'eau et de savon doux.
3. Sécher la guide-chaîne et la chaîne.
4. Placer la chaîne dans un récipient rempli d'huile. Ceci l'empêche de rouiller.
5. Passer une légère couche d'huile sur la surface de la guide-chaîne.
6. Essuyer l'extérieur du carter de la tronçonneuse avec un chiffon doux imprégné d'un mélange d'eau et de savon doux.
7. Remiser la chaîne :
  - dans un endroit en hauteur ou verrouillé, hors de la portée des enfants,
  - dans un endroit sec,
  - dans une malette de transport ou avec un fourreau recouvrant la guide-chaîne.

## SERVICE TECHNIQUE

Peut-être aurez-vous d'autres questions sur l'assemblage, le fonctionnement ou l'entretien de ce produit. Si c'est le cas, visitez le site Web du Service technique à l'adresse [www.remingtonpowertools.com](http://www.remingtonpowertools.com) ou contactez le Service technique au 1-800-626-2237 (en anglais seulement). Vous pouvez aussi nous écrire à l'adresse suivante :

DESA Power Tools

ATTN. : Technical Service

P.O. Box 90004

Bowling Green, KY 42101-9004

Lorsque vous contactez DESA Power Tool veuillez avoir à portée de la main :

- Votre nom
- Votre adresse
- Votre numéro de téléphone
- Le numéro de modèle du produit
- La date d'achat (y compris une copie du reçu de caisse pour les demandes écrites).

## PIÈCES DE RECHANGE ET ACCESSOIRES

Pour obtenir des pièces de rechange et des accessoires d'origine pour ce produit, contactez le détaillant autorisé ou le centre de service autorisé le plus proche. Si ces derniers ne sont pas en mesure de vous fournir la pièce ou l'accessoire dont vous avez besoin, contactez le dépôt de pièces le plus proche, inscrit sur la liste à la page 74. Chaque détaillant autorisé, centre de service autorisé et dépôt de pièces est la propriété exclusive de la personne qui en assure l'exploitation de façon indépendante. Vous pouvez aussi commander des pièces à « l'atelier en ligne » à l'adresse [www.remingtonpowertools.com](http://www.remingtonpowertools.com).

Consultez les pages 72p ar 73 pour une liste illustrée des pièces.

Pour plus de détails, contactez le Service technique (voir *Service technique*).

Au Canada, faites le 1 800 561-3372 pour obtenir plus de détails sur les pièces.

## SERVICE DE RÉPARATION

**Note** : Utilisez seulement des pièces de rechange d'origine. Vous aurez ainsi droit à la protection de la garantie pour toute pièce remplacée en vertu de la garantie.

### Service sous garantie

Si le produit doit être réparé pendant la période de validité de la garantie, apportez-le au centre de service autorisé le plus proche. Vous devrez alors présenter une preuve d'achat. Si le problème est attribuable à un défaut de fabrication ou de matériau, nous assurerons sans frais la réparation ou le remplacement du produit. **Note** : Les dommages attribuables à l'usure normale, à une utilisation abusive ou à mauvais escient, à la négligence ou à un accident ne sont pas couverts aux termes de la garantie.

### Service hors garantie

Si le produit doit être réparé, apportez-le au centre de service autorisé le plus proche. Les frais de réparation vous seront facturés conformément au prix habituel des réparations.

Pour plus de détails sur le centre de service ou sur la garantie, faites le 1-800-626-2237 ou visitez le site Web du Service technique à l'adresse [www.remingtonpowertools.com](http://www.remingtonpowertools.com)

## DÉPANNAGE

**Remarque :** Pour toute assistance supplémentaire, visitez le site Internet du service technique de DESA Power Tools à [www.remingtonpowertools.com](http://www.remingtonpowertools.com).

**⚠ AVERTISSEMENT :** Avant de faire l'entretien, débrancher la tronçonneuse de la prise de courant. Des blessures graves ou la mort peuvent être provoquées par les chocs électriques et le contact du corps avec la chaîne en mouvement.

DÉFAILLANCE OBSERVÉE	CAUSE POSSIBLE	REMÈDE
La chaîne tourne mais ne scie pas	Chaîne assemblée à l'envers sur la guide-chaîne	Voir Montage
La chaîne ne scie que lorsqu'elle est forcée. La taille ne produit que de la sciure avec quelques gros copeaux	La chaîne est émoussée	Voir Affûtage de la Chaîne
La chaîne tourne lentement. Elle cale facilement	Faible tension électrique d'alimentation	La rallonge électrique est d'un calibre trop petit. Voir Rallonges électriques.
Le moteur de la tronçonneuse ne marche pas quand on appuie sur la gâchette	<ol style="list-style-type: none"> <li>1. Verrou d'interrupteur pas poussé vers l'avant pour libérer la gâchette</li> <li>2. Raccords des cordons électriques desserrés</li> <li>3. Fusible ou disjoncteur de ligne ouvert</li> <li>4. Balais de moteur usés</li> <li>5. Circuit électrique ouvert dans la tronçonneuse</li> </ol>	<ol style="list-style-type: none"> <li>1. Pousser le verrou d'interrupteur vers l'avant avant d'appuyer sur la gâchette</li> <li>2. Vérifier les raccords</li> <li>3. Vérifier le fusible ou le disjoncteur</li> <li>4. Contacter un réparateur agréé</li> <li>5. Contacter un réparateur agréé</li> </ol>
Le moteur de la tronçonneuse marche mais la chaîne ne bouge pas	Engrenage du pignon	Retirez le pignon et inspectez-le à la recherche de dommage.
L'huile n'arrive pas à la chaîne	<ol style="list-style-type: none"> <li>1. Fente à huile bouchée dans la guide-chaîne</li> <li>2. Huile trop épaisse</li> </ol>	<ol style="list-style-type: none"> <li>1. Déposer la guide-chaîne et nettoyer la fente à huile</li> <li>2. Utiliser l'huile de viscosité correcte. Voir Remplissage du Réservoir D'huile</li> </ol>
La chaîne saute hors de la guide-chaîne	<ol style="list-style-type: none"> <li>1. Chaîne détendue</li> <li>2. Le guide-chaîne et la chaîne ne sont pas montés correctement</li> </ol>	<ol style="list-style-type: none"> <li>1. Tendre la chaîne. Voir Réglage de la Tension de la Chaîne</li> <li>2. Voir Montage</li> </ol>
La tronçonneuse fume	Outil endommagé. Ne pas l'utiliser	Contactez un réparateur agréé
L'huile fuit	Un suintement d'huile est normal lorsque la tronçonneuse n'est pas utilisée.	Bien fermer le bouchon d'huile. <b>Note : Vidanger le réservoir d'huile quand on n'utilise pas l'outil</b>

FRANÇAIS

## INFORMATION SUR LA GARANTIE

### TRONÇONNEUSE ÉLECTRIQUE DE MARQUE DE REMINGTON GARANTIES LIMITÉES

#### PRODUITS NEUFS

##### Garantie standard

DESA Power Tools garantit ce produit neuf et toutes les pièces qu'il comprend contre tout défaut de main-d'œuvre et de matériau pour une durée d'un (1) an à compter de la date d'achat originale auprès d'un détaillant autorisé, à la condition que le produit ait été utilisé et entretenu conformément aux directives et aux mises en garde de DESA Power Tools.

#### PRODUITS REMIS À NEUF À L'USINE

##### Garantie limitée

DESA Power Tools garantit les produits remis à neuf à l'usine et toutes les pièces qu'il comprend contre tout défaut de main-d'œuvre et de matériau pour une durée de 90 jours à compter de la date d'achat originale auprès d'un détaillant autorisé, à la condition que le produit ait été installé, utilisé et entretenu conformément aux directives et aux mises en garde de DESA Power Tools.

#### MODALITÉS COMMUNES À TOUTES LES GARANTIES

Les modalités qui suivent s'appliquent à toutes les garanties ci-dessus :

- Spécifier toujours le numéro de modèle lors des communications avec le fabricant. Le reçu de caisse ou une autre preuve d'achat doit être fournie lors d'une réclamation en vertu de la présente garantie.
- Cette garantie est accordée seulement à l'acheteur original, lorsque la tronçonneuse a été achetée auprès d'un détaillant autorisé.
- Cette garantie couvre le coût des pièces nécessaires pour remettre la tronçonneuse en bon état de marche et prévoit une indemnité de main-d'œuvre lorsque les réparations sont effectuées par un centre de service autorisé de DESA Power Tools. Les pièces sous garantie doivent être achetées chez un détaillant autorisé à vendre le produit ou auprès de DESA Power Tools, qui fournira des pièces de rechange originales de l'usine. Le fait d'utiliser des pièces autres que les pièces de rechange originales de l'usine annule la présente garantie.
- Les frais de déplacement, de manutention, de transport, de diagnostic, de matériau, de main-d'œuvre et les frais accessoires associés aux réparations effectuées en vertu de la présente garantie ne sont pas remboursables aux fins de cette garantie, à moins d'être expressément indiqués dans la garantie, et doivent donc être assumés par le propriétaire.
- Cette garantie ne couvre pas les produits ni les pièces défectueux ou endommagés par suite d'une utilisation abusive, d'un accident, d'un manque d'entretien, d'une altération ou d'une modification.
- Cette garantie ne couvre pas les produits destinés à un usage commercial, industriel ou pour location.
- La présente constitue la garantie exclusive offerte par DESA Power Tools dans toute la mesure autorisée par les lois en vigueur; cette garantie expresse exclut toute autre garantie, explicite ou implicite, écrite ou verbale, et limite la durée de toute garantie implicite, y compris toute garantie de marchandise ou d'adaptation à un usage en particulier, à un (1) an pour les produits neufs et à quatre-vingt-dix (90) jours pour les produits remis à neuf à l'usine, à compter de la date d'achat originale. DESA Power Tools n'offre aucune autre garantie en ce qui concerne le produit.
- La responsabilité de DESA Power Tools se limite au prix d'achat du produit, et DESA Power Tools ne peut être tenue responsable des dommages de quelque sorte que ce soit, attribuables à quelque circonstance que ce soit, notamment des dommages indirects, accessoires ou consécutifs.
- Certains états ne reconnaissent pas les restrictions relatives à la durée des garanties implicites ni les limites ou exclusions en matière de dommages indirects ou consécutifs; il se peut donc que les limitations et restrictions ci-dessus ne s'appliquent pas à votre situation.
- Cette garantie vous accorde des droits juridiques particuliers, et il se peut que vous ayez aussi d'autres droits, qui varient d'un état à l'autre.

Pour plus de détails sur cette garantie, communiquez avec :



Bowling Green, KY 42102-9004  
U.S.A.  
800-626-2237 (en anglais seulement)  
www.remingtonpowertools.com

Modèle \_\_\_\_\_

Date d'achat \_\_\_\_\_

**DESA**  
Industries of Canada,  
Inc.  
82 Akron Road  
Tornoto, Ontario  
M8W 1T2  
1-800-561-3372  
FAX: 1-800-561-8003  
www.remingtonpowertools.com

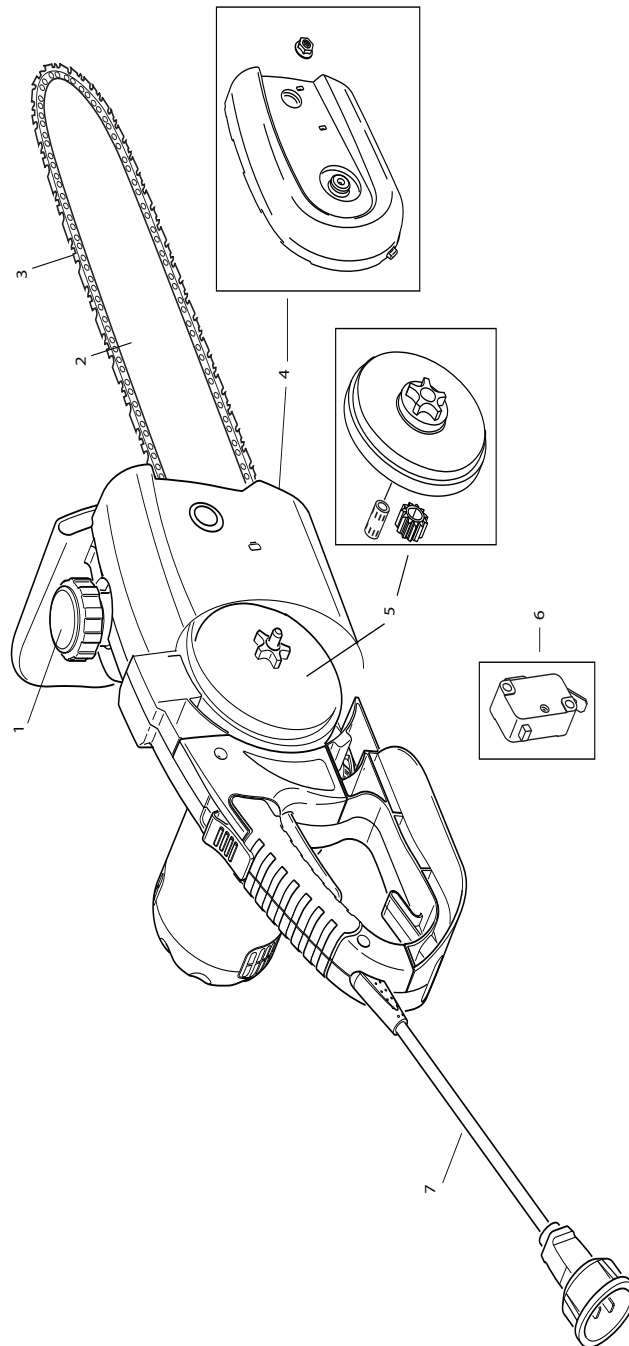


## ILLUSTRATED PARTS BREAKDOWN/DESGLOSE ILUSTRADO DE PARTES/SCHÉMA DES PIÈCES

This list contains replaceable parts used in your chainsaw. When ordering parts, be sure to provide the correct model number (from the model plate), then the part number and description of the desired part.

Esta lista contiene partes reemplazables y que se utilizan en su sierra de cadena. Cuando solicite repuestos, asegúrese de facilitar el número correcto del modelo (de la placa del modelo), luego el número de parte y la descripción de la parte deseada.

La présente liste énumère les différentes pièces remplaçables qu'utilise votre scie à chaîne. Pour commander une pièce, ne manquez pas de fournir le bon numéro de modèle de votre scie (que vous trouverez sur sa plaque signalétique), puis le numéro et la description de la pièce désirée.





**PARTS LIST/LISTA DE REPUESTOS/LISTE DES PIÈCES**

KEY NO./ NÚMERO CLAVE/N° DE RENVOI	PART NO./ NÚMERO DE PARTE/ N° DE PIÈCE	DESCRIPTION/DESCRIPCIÓN/DESCRIPTION	QTY./CANTIDAD/QTÉ			
			M15012US	M15014AS	M30016US M30016AS	M30016AW M35016AW
1	122512-01	Kit, Oil Cap/Includes: Oil Cap, Squeeze Bulb Juego, tapa del aceite/Incluye: Tapa del tanque de aceite, Pera de apriete Trousse, bouchon du réservoir d'huile/Comprend: Bouchon de réservoir d'huile, Poire	1	1	1	1
2	12SB	Bar, 12" Mod saw Service/Barra de servicio Mod saw de 12 pulg./ Guide-chaîne, scie 12 po	1	—	—	—
	14SB	Bar, 14" Mod saw Service/Barra de servicio Mod saw de 14 pulg./ Guide-chaîne, scie 14 po	—	1	—	—
	EL16SB	Bar, 16" Mod saw Service/Barra de servicio Mod saw de 16 pulg./ Guide-chaîne, scie 16 po	—	—	1	1
3	12SC	Chain, 12" Mod saw Service/Cadena de servicio Mod saw de 12 pulg./ Chaîne, scie 12 po	1	—	—	—
	14SC	Chain, 14" Mod saw Service/Cadena de servicio Mod saw de 14 pulg./ Chaîne, scie 14 po	—	1	—	—
	16SC	Chain, 16" Mod saw Service/Cadena de servicio Mod saw de 16 pulg./ Chaîne, scie 16 po	—	—	1	1
4	116675-01	Kit, Sprocket Cover/Includes: E-Fling, Chain tensioning Screw, Adjustment Block, Sprocket Cover, Sprocket Cover Busing, Guide Bar Nut Juego, cubre-piñón/Incluye: Anillo E, Tornillo de tensión de cadena, Bloque de calibración, Cubierta de la rueda dentada, Buje de la tapa de rueda dentada, Tuerca de la barra guía Trousse, couvercle de pignon/Comprend: Joint en E, Vis du tendeur de chaîne, Bloc de réglage, Carter du pignon, Bague du couvercle du pignon, Écrou du guide-chaîne, Kit, Internal Gear/Includes: Sprocket Gear, Drive Gear IIT 20DP, Sprocket Roller Bearing	1	1	1	1
5	122513-01	Juego, engranajes internos/Incluye: Rueda Dentada Engranaje, Engranaje impulsor IIT 20DP, Rodamiento de la rueda dentada del rodillo Trousse, engrenages intérieurs/Comprend: Engrenage du pignon, Engrenage d'entraînement IIT 20DP, Pignon Palier Switch/Interruptor/Interrupteur	—	—	—	—
6	107729-02	Shrouded Cord/Cordón con recubrimiento/Corde renforcée	1	1	1	1
7	114261-01	Shrouded Cord/Cordón con recubrimiento/Corde renforcée	1	1	—	—
	114261-02	Shrouded Cord/Cordón con recubrimiento/Corde renforcée	—	—	1	1

## PARTS CENTRAL/CENTRAL DE PIEZAS/DÉPÔT DE PIÈCES

### **Ray's Portable Heater Service**

3191 Myers Road  
Camino, CA 95709-9550  
530-644-7716

### **Tool & Equipment**

5 Manila Drive  
Hamden, CT 06514-0322  
203-248-7553  
1-800-397-7553

### **Bernie's Tools & Fasteners**

4211 Highway Avenue  
Jacksonville, FL 32254  
Ph: 904-384-4999

### **Bernie's Tools & Fasteners**

2322 NE Waldo Road  
Gainesville, FL 32609  
Ph: 352-375-1244

### **Grainger Parts Operations**

1657 Shermer Road  
Northbrook, IL 60062-5362  
708-498-5900  
1-800-323-0620  
www.grainger.com

### **Portable Heater Parts**

342 North County Road 400 East  
Valparaiso, IN 46383-9704  
219-462-7441  
1-800-362-6951  
www.portableheaterparts.com  
sales@portableheaterparts.com  
techservice@portableheaterparts.com

### **Lyons & Lyons Sales Co. Inc.**

Glen Arm Road  
Glen Arm, MD 21057-9454  
301-665-6500  
1-800-333-5966  
lyonsco@erols.com

### **Master Part Distributors**

1251 Mound Avenue NW  
Grand Rapids, MI 49504-2672  
616-791-0505  
1-800-446-1446  
www.masterparts.net

### **Hance Distributors, Inc.**

12795 16th Avenue North  
Plymouth, MN 55441-4556  
763-559-2299  
www.hanceco.com

### **Automotive Equipment Service**

3117 Holmes  
Kansas City, MO 64109-1716  
816-531-9144  
1-800-843-3546  
www.aes-lawnparts.com

### **Bowden Electric Motor Service**

1681 S. Wesleyan Blvd.  
Rocky Mount, NC 27803  
252-446-4203  
**East Coast Energy**  
10 East Route 36  
West Long Branch, NJ 07764-1501  
1-800-755-8809

### **Forrest Lytle and Sons, Inc.**

740 West Galbraith Road  
Cincinnati, OH 45231-6002  
513-521-1464

### **Bortz Chain Saw Shop**

Road #2, Box 64A  
Oley, PA 19547-9412  
610-987-6452

### **21st Century**

2950 Fretz Valley Road  
Perkasie, PA 18944-4034  
215-795-0400  
1-800-325-4828

### **La Porte's**

2444 N 5th Street  
Hartsville, SC 29550-7704  
843-332-0191

### **MTA Distributors**

555 Hickory Hills Blvd.  
Nashville, TN 37189-9244  
615-299-8777  
1-800-264-0225

### **Webbs Appliance Center**

1519 Church Street  
Nashville, TN 37203-3004  
615-329-4079  
1-800-899-4079

### **Industrial Hardware**

4109 Bainbridge Blvd.  
Chesapeake, VA 23324-1403  
757-543-2232  
1-800-788-0008  
catatem@erols.com

### **Mills Lawn and Garden**

4750-B Baxter Road  
Virginia Beach, VA 23462  
757-490-7001  
www.mills-parts.com

### **Tuco Industrial Products**

5223 180th Street SW  
Suite 4A-1  
Lynnwood, WA 98037-4506  
425-743-9533  
1-800-735-1268  
www.tucoheat.com



113005-01  
Rev.G  
03/08

## Free Manuals Download Website

<http://myh66.com>

<http://usermanuals.us>

<http://www.somanuals.com>

<http://www.4manuals.cc>

<http://www.manual-lib.com>

<http://www.404manual.com>

<http://www.luxmanual.com>

<http://aubethermostatmanual.com>

Golf course search by state

<http://golfingnear.com>

Email search by domain

<http://emailbydomain.com>

Auto manuals search

<http://auto.somanuals.com>

TV manuals search

<http://tv.somanuals.com>