

SeeSnake® LCDPak Monitor Inspection Camera Monitor



The new SeeSnake® LCDPak Monitor features our full size color display with the battery powered freedom and small size you need to take your camera places it has never gone before.

- **Lithium Ion Battery Power** allows you to run your complete system for up to 4 hours.
- **Reduced Size** frees up truck space and makes it easier to transport to the job.
- **New Integrated Line Trace Feature** allows you to trace the push cable with your RIDGID® locator (*requires transmitter*).



Specifications

- Display 10.4" Color LCD (26.4 cm)
- Resolution 640 x 480
- Power Source 1 or 2 RIDGID® 18V LI Batteries or AC Plug
- Weight 16.2 lbs. (7.3 kg.) (without batteries)
- Length 14.3 inches (36.3 cm)
- Width 11.9 inches (30.2 cm)
- Height 12.4 inches (31.5 cm)
- Output Composite Video Out
- Lighting 10 Level Adjustable LED Control



Optional Battery Power



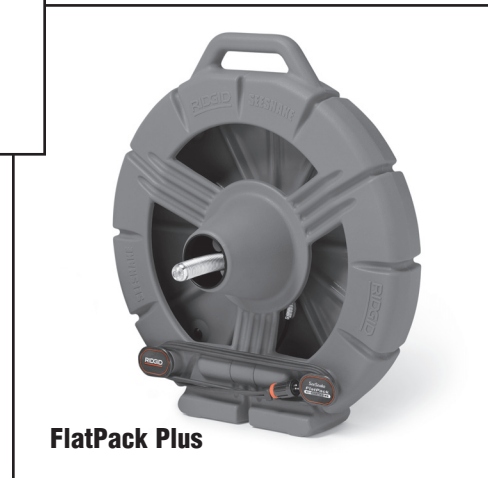
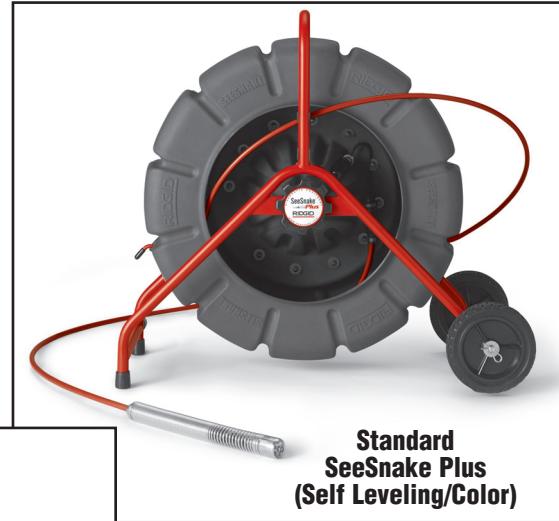
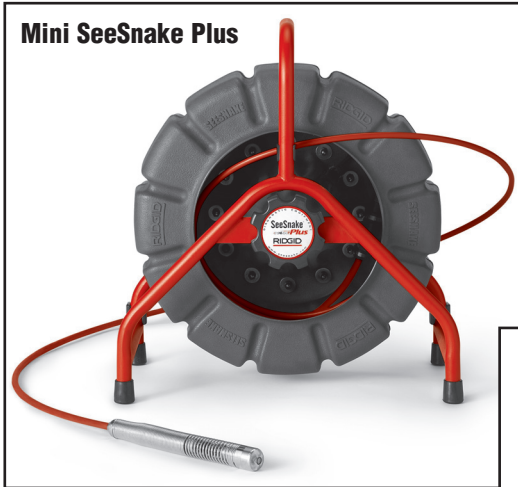
Compact, Light Weight Design

Ordering Information

Catalog No.	Description	Weight		Std Pack
		(lbs.)	kg	
31763	LCDPak Monitor Only (115V)	16.2	7.3	1
32898	LCDPak Monitor w/2 Batteries and Charger (115V)	22.2	10	1
32648	2 Batteries and Charger Kit (115V)	6	2.7	1
32743	18V 2.2Ah LI Battery	2	0.9	1
27958	18V LI Battery Charger (115V)	2	0.9	1



The LCDPak Monitor is Compatible with All SeeSnake® Reels.



Component Ordering Information

	Catalog No.	Description
Self Leveling Color Reels	13988	200' Color Self-Leveling Reel – NTSC
	13998	325' Color Self-Leveling Reel – NTSC
Color Reels	14053	200' Color SeeSnake Plus Reel – NTSC
	14058	325' Color SeeSnake Plus Reel – NTSC
	14063	200' Color Mini SeeSnake Plus Reel – NTSC
	95567	100' Color SeeSnake FlatPack Plus – NTSC

For the complete selection of the Ridge Tool product line, please refer to the Ridge Tool Catalog or www.RIDGID.com.

Distributor

Free Manuals Download Website

<http://myh66.com>

<http://usermanuals.us>

<http://www.somanuals.com>

<http://www.4manuals.cc>

<http://www.manual-lib.com>

<http://www.404manual.com>

<http://www.luxmanual.com>

<http://aubethermostatmanual.com>

Golf course search by state

<http://golfingnear.com>

Email search by domain

<http://emailbydomain.com>

Auto manuals search

<http://auto.somanuals.com>

TV manuals search

<http://tv.somanuals.com>