



Wireless Bluetooth® Headset

Casque d'écoute sans fil
Bluetooth^{MD}

Auricular inalámbrico con
Bluetooth[®]

RF-SH230

User Guide Guide de l'utilisateur Guía del Usuario

Rocketfish RF-SH230 Wireless Bluetooth® Headset

Contents

Introduction	3
Features	3
Setting up the headset.....	6
Using the headset.....	12
Using the menus	15
Maintaining	17
Using the headset safely.....	18
Troubleshooting	19
Specifications.....	19
Legal notices	20
1 Year Limited Warranty.....	23
Français.....	26
Español	53

Bluetooth is a registered trademark owned by Bluetooth SIG, Inc. U.S.A.

Introduction

Thank you for choosing the Rocketfish RF-SH230 Wireless Bluetooth® Headset. This user guide provides the information you need to use and care for your headset.

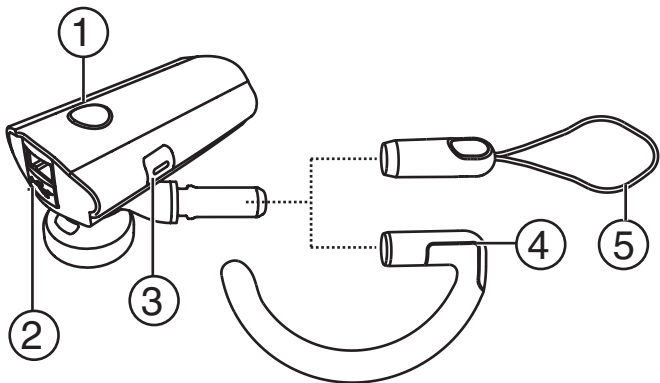
Features

- Interchangeable color plates
- Favorite (speed dial) number (user configurable)
- Favorite number calling identification
- Noise shield audio design for optimum voice quality
- Easy pairing (automatic pairing at power-on)
- Automatic call answer (configurable)
- Power save mode for extended use (auto power off after 12 hours)
- Left or right ear wearable, with or without the ear hook
- 12 configurable ring tones

Package contents

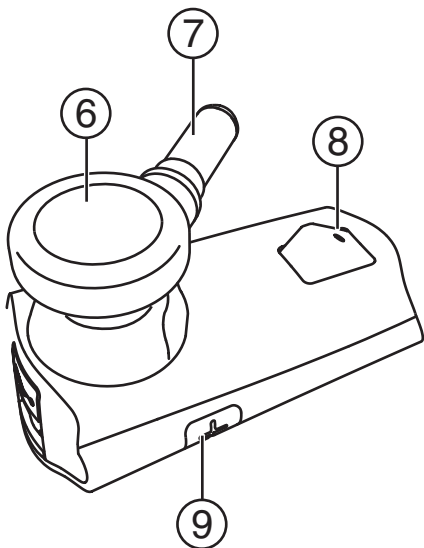
- Headset
- Power supply
- Two removable color faceplates
- Earpiece hook
- Headset clip
- User guide

Identifying parts (top)



#	Part
1	Multi-function button/Indicator light
2	Headset charging socket
3	Vol-
4	Ear hook
5	Headset cord

Identifying parts (bottom)



#	Part
6	Speaker
7	Multi-function arm
8	Microphone
9	Vol+

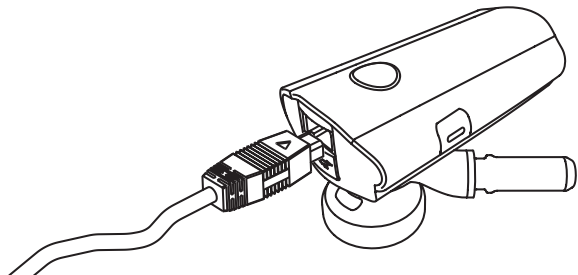
Setting up the headset

Charging the headset

Before using the headset, you need to charge the battery.

To charge the battery:

- 1 Plug the power supply into a power outlet.
- 2 Plug the other end of the power supply into the headset charging socket [2]. The indicator light [1] turns green to indicate the headset battery is charging.



- 3 Unplug the headset from the power supply after the indicator light turns off. The headset is fully charged.

Note:

The headset does not work while charging.

If the indicator light remains off when you connect it to the power supply, the battery is already fully charged and does not require further charging.

To maximize battery life, do not charge the headset longer than necessary.

When your battery is completely discharged, it takes up to three hours to fully charge your headset.

Battery life may seem short when you first use the headset. The battery will fully charge after two or three complete charge/discharge cycles.

Pairing the headset

Auto-pairing

For added convenience, your headset has an auto-pairing function so that when you turn the headset on for the first time, it is already in pairing mode. Your headset should beep every two seconds to indicate that it is in pairing mode, and can be paired to your mobile phone.

To pair your headset:

- 1 Put the mobile phone into pairing mode (see your mobile phone user manual). Make sure that the mobile phone is no more than three feet (one meter) away from the headset.
- 2 Select the headset name "RF-SH230".
- 3 Enter the PIN number: 0000. If pairing is successful, the beeping stops and the indicator flashes every three seconds.

Normal pairing

Complete this procedure if you want to pair your headset with another mobile phone.

To pair your headset:

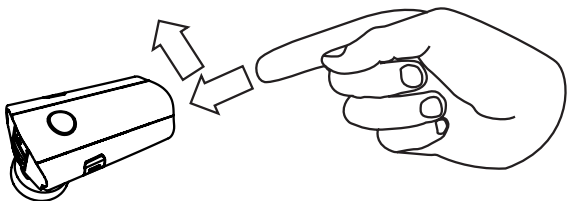
- 1 Make sure that the headset is turned off.
- 2 Put the headset in pairing mode by pressing and holding the multi-function button for about five seconds. The indicator light should flash twice every second and you should hear a series of beeps every two seconds.
- 3 Complete the auto-pairing procedure.

Changing the color plates

Your headset comes with two additional interchangeable color covers to suit your style.

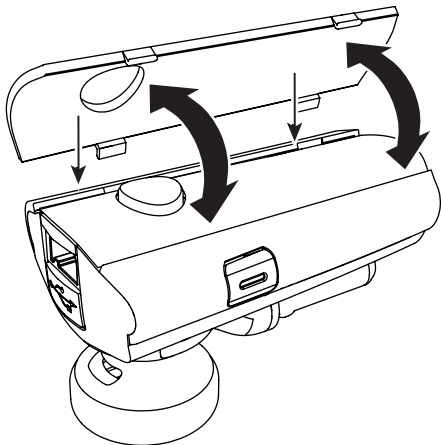
To remove a color cover:

- Place your finger on the end of the cover, close to the microphone, and gently swing it up.



To install the new cover:

- Insert the cover side with the **larger tabs first**, then swing the other side down and press smaller tabs into the corresponding slots.



Wearing and carrying the headset

You can wear your headset on either ear and carry it in different ways using the rotating multi-function arm [7].

Wearing the headset without the earhook

You can wear the headset without using the earhook.

To wear the headset without the earhook:

- 1 Gently place the speaker [6] into your ear canal.



- 2 Rotate the headset forward and backward to find the most comfortable position.

Wearing the headset with the earhook

The earhook may be used for maximum comfort and adjustability.

To mount the earhook:

- Rotate the multi-function arm [7] upwards and slide it inside the earhook [4] jack.

To place the earhook on your ear:

- 1 Rotate the earhook [4] slightly forwards.
- 2 Gently place the speaker [6] into your ear canal.



- 3 Rotate the earhook [4] backwards and adjust it behind your ear.

To switch the earhook from one ear to the other:

- Rotate the multi-function arm [7] downwards and rotate the earhook [4] to the opposite side.

Carrying the headset

Use the headset cord to attach the headset to your mobile phone.



Using the headset

Caution: Prolonged use of the headset at high volumes may affect your hearing capacity.

Turning the headset on and off

To turn the Headset on:

- Press and hold the multi-function button [1] for about three seconds until a series of tones is heard. The indicator light [1] flickers for one second and starts flashing.

To turn the headset off:

- Press and hold the multi-function button [1] for about three seconds until a series of tones is heard. The indicator light flashes before turning off.

Changing the volume

To increase the volume:

- During a call, press Vol+ button [9].

To decrease the volume:

- During a call, press the Vol- button [3].

The headset remembers all volume settings even when it is switched off.

Accepting or rejecting a call

To accept a call:

- When the mobile phone rings (ring tone can be heard in the headset), briefly press the multi-function button [1] once.

To reject a call:

- Press and hold the multi-function button [1] for one second.

Note: To reject a call, the mobile phone must support the Hands-free profile

Automatic answer (call pick up)

You can configure the headset to automatically answer all incoming calls after three seconds.

To configure the headset for automatic answer:

- Press and hold the multi-function and Vol- buttons for one second.

Initiating a call from your mobile phone

To initiate a call:

- Dial the number as usual with your mobile phone. If your headset is on and the mobile phone has been correctly paired, your mobile phone transfers the call to your headset.

Initiating a call with voice dialing

To voice dial a call:

- 1 Briefly press the multi-function button and wait for the feedback tone from the mobile phone.
- 2 Speak the name of the person you wish to call.

Note: your mobile phone must support voice dialing and you must first record voice tags into your mobile phone associated to phone numbers (see your mobile phone manual for details).

Ending a call

To end a call:

- Press the multi-function button [1] briefly during a call. The call is ended.

Saving a favorite number

It is possible to save a favorite number in the headset and speed dial it with the multi-function button. This number can be automatically saved from the last incoming call number (not compatible for hidden or unidentified call numbers).

To save a favorite number from the last incoming call:

- Once the received call has ended, press and hold both the Vol+ and Vol- buttons for three seconds, until you hear a series of tones. The number from the last received call is stored.

To call the favorite number:

- Press and hold the multi-function button for one second.

Identifying the favorite calling number

When the mobile phone rings, if the calling number is already stored as a favorite number, a special tone sounds identifying the favorite number call.

Note: *Saving a favorite number and caller identification do not work if the calling number is hidden or unidentified by the network.*

Conserving battery life

To conserve battery life, your headset features an auto-sleep function. This function turns the headset off after 12 hours of inaction. Once your headset has entered auto-sleep, it can be switched on again normally.

When the battery has only 10% charge remaining, the headset produces an audible warning tone sequence every time a call is ended.

To check your battery level:

Press the multi-function button [1] four times.

Resetting your headset

Should your headset stop responding, try plugging it into the power supply for a few seconds. Your headset should function again as normal.

Using the menus

To activate the extended menu functions:

- Press the Vol+ [9], Vol- [3] and multi-function [1] buttons until you hear a series of four ascending beeps.

To return to the main menu:

- Press the Vol+ [9], Vol- [3] and multi-function [1] buttons until you hear a series of four ascending beeps.

Note: All extended menu function settings will be lost.

Main menu

How to...	Action	Headset response
Turn the power on.	With the headset off, press and hold the multi-function button for three seconds.	Headset turns on and indicator flashes green.
Turn the power off.	With the headset on, press and hold the multi-function button for three seconds.	Indicator flashes green three times every second for two seconds, then the headset turns off.
Increase the volume.	With the headset on or during a call, press the Vol+ button repeatedly.	Every press you hear a beep with a higher volume and higher tone.
Decrease the volume.	With the headset on or during a call, press the Vol- button repeatedly.	Every press you hear a beep with a lower volume and lower tone
Enter pairing mode.	With the headset off, press and hold the multi-function button for five seconds. See the pairing instructions of your mobile phone.	Headset indicator flashes green twice every second and you will hear a series of high tones.

How to...	Action	Headset response
Accept a call.	During the incoming call, press the multi-function button once.	Headset picks up the call.
Reject a call. (Only available with mobile phones supporting hands-free mode 2)	During the incoming call, press and hold the multi-function button for one second.	Headset rejects the call.
Voice dial. (Only available with mobile phones supporting voice dialing)	With the headset on, press the multi-function button once.	Headset makes a series of short beeps while mobile phone initiates the voice dialing command.
End a call.	During a call, press the multi-function button once.	Headset hangs up the current call.
Save a favorite number.	Press the Vol- and Vol+ buttons for three seconds.	Last incoming call number is stored as favorite.
Call a favorite number	Press the multi-function button for one second.	Calls the favorite number.
Activate automatic call pick up.	With the headset on, press the multi-function button and the Vol- button for one second.	Selects the automatic call pick up mode. You can deactivate automatic call pick up in the same way.
Check the battery level.	With the headset on, press the multi-function button four times.	The number of tones (1, 2, 3, or 4) approximately indicates the remaining talk time in hours (>1, 2, 3, or 4).

Extended menu

How to...	Action	Headset response
Activate or deactivate the extended menu.	With the headset on, press Vol+, Vol-, and the multi-function button for one second.	A series of 4 beeps.
Mute the microphone.	During a call, press the multi-function button twice.	Microphone is muted and periodic tones are heard.

How to...	Action	Headset response
Reactivate the microphone.	During a call with muted microphone, press the multi-function button twice.	Microphone is reactivated.
Redial the last number. (Only available with mobile phones supporting hands-free mode 2)	With the headset on, press the multi-function button twice.	The mobile phone redials.
Enter the ring tone selection.	With the headset on, press and hold either the Vol+ or Vol- button for five seconds.	Enters the ring tone list.
Hear a different ring tone.	In ring tone menu press Vol+ or Vol- to listen to the different tones.	Up and down in the ring tone list.
Select a ring tone.	In ring tone menu press the multi-function button once.	Selects a ring tone in the headset.
Swap Vol+ and Vol- buttons.	In ring tone menu press the multi-function button twice.	Swaps the Vol+ and the Vol- buttons.

Maintaining

Caring for the battery

Your headset battery will have a long life provided you follow these guidelines:

- Do not charge your headset outdoors
- Do not charge your headset if the ambient temperature is above 113° Fahrenheit (45° Celsius) or below 50° Fahrenheit (10° Celsius).
- Do not leave your headset connected to the charger for extended periods of time, as excessive charging will reduce battery life.

Using the headset safely

- Only use the headset according to the directions within this *User Guide*. Using this headset contrary to these directions could cause injury. In addition, any use of this headset contrary to this *User Guide* will void any warranty.
- Do not use the headset in an environment where it may come in contact with liquid or be exposed to high humidity or extreme temperatures.
- Do not place the headset in a fire as it may explode causing injury or death.
- Do not use the headset in areas where using radio transmitters is prohibited (such as in an aircraft or in a hospital) or close to sensitive devices that may be affected by a radio transmitter (such as a pacemaker).
- Do not attempt to service this headset yourself. If the headset requires servicing, it must be performed by an approved service person.
- If the headset becomes dirty, clean it with a soft cloth. Do not use any cleaning agents as these may damage the plastics, electronics, or battery.
- Using this headset while driving may reduce your ability to react to road conditions.
- Be aware that using a wireless headset while driving is illegal in certain countries.
- As this headset contains parts which may cause injury if consumed, keep it out of reach of children.
- Use only the power supply provided in the packaging labeled as compatible with the RF-SH230 Headset.

Caution: *Prolonged use of the headset at high volumes may affect your hearing capacity.*

Troubleshooting

Problem	Solution
The headset does not turn on.	<ul style="list-style-type: none"> The headset battery may be discharged. Try recharging the headset.
Pairing is unsuccessful.	<ul style="list-style-type: none"> Try moving the mobile phone and headset closer together during pairing. Make sure that the mobile phone is in the correct Bluetooth mode. Some electrical devices such as microwave ovens create a noisy electrical environment making it difficult for the headset to communicate with the mobile phone. Try moving away from such devices and try again.
Pairing has succeeded but calls cannot be heard	<ul style="list-style-type: none"> Make sure that your mobile phone is switched on and ready to connect to the headset.
The headset stops responding to button presses.	<ul style="list-style-type: none"> Make sure that your headset battery is charged. Try resetting your headset according to the directions given in "Resetting your headset" on page 15.
Favorite calling number doesn't work.	<ul style="list-style-type: none"> If the calling number is hidden, it will not function Certain mobile phones do not implement the caller ID feature in the standard format. The feature cannot function with these mobile phones.

Specifications

Bluetooth compliance	Bluetooth 2.0, 1.2, and 1.1
Talk time	Up to eight hours
Standby time	Up to two weeks
Range	Up to 33 feet (10 meters)
Weight	0.024 lb (11 grams)
Dimensions	1.8" x 0.8" x 1.1" (45mm x 21mm x 27mm)

Legal notices

Rocket Fish RF-SH230



Tested To Comply
With FCC Standards

FOR HOME OR OFFICE USE

FCC Part 15

This device complies with Part 15 of the FCC Rules. Operation of this product is subject to the following two conditions: (1) this device may not cause harmful interference, and (2) this device must accept any interference received, including interference that may cause undesired operation.

This equipment has been tested and found to comply within the limits for a class B digital device, pursuant to Part 15 of the FCC Rules. These limits are designed to provide reasonable protection against harmful interference in a residential installation. This equipment generates, uses, and can radiate radio frequency energy and, if not installed and used in accordance with the instructions, may cause harmful interference to radio communications. However, there is no guarantee that interference will not occur in a particular installation. If this equipment does cause harmful interference to radio or television reception, which can be determined by turning the equipment off and on, the user is encouraged to try to correct the interference by one or more of the following measures:

- Reorient or relocate the receiving antenna.
- Increase the separation between the equipment and receiver.
- Connect the equipment into an outlet on a circuit different from that to which the receiver is connected.
- Consult the dealer or an experienced technician for help.

FCC warning

Changes or modifications not expressly approved by the party responsible for compliance with the FCC Rules could void the user's authority to operate this equipment.

Copyright

© 2007 Rocketfish. Rocketfish and the Rocketfish logo are trademarks of Best Buy Enterprise Services, Inc. Other brands and product names are trademarks or registered trademarks of their respective holders. Specifications and features are subject to change without notice or obligation.

For service and support call (800) 305-2204.

1 Year Limited Warranty

Rocketfish Products ("Rocketfish") warrants to you, the original purchaser of this new **RF-SH230** ("Product"), that the Product shall be free of defects in the original manufacture of the material or workmanship for one (1) year from the purchase of the Product ("Warranty Period"). This Product must be purchased from an authorized dealer of Rocketfish brand products and packaged with this warranty statement. This warranty does not cover refurbished Product. If you notify Rocketfish during the Warranty Period of a defect covered by this warranty that requires service, terms of this warranty apply.

How long does the coverage last?

The Warranty Period lasts for one year (365 days), beginning on the date you purchased the Product. The purchase date is printed on the receipt you received with the product.

What does this warranty cover?

During the Warranty Period, if the original manufacture of the material or workmanship of the Product is determined to be defective by an authorized Rocketfish repair center or store personnel, Rocketfish will (at its sole option): (1) repair the Product with new or rebuilt parts; or (2) replace the Product at no charge with new or rebuilt comparable products or parts. Products and parts replaced under this warranty become the property of Rocketfish and are not returned to you. If service of Products and parts are required after the Warranty Period expires, you must pay all labor and parts charges. This warranty lasts as long as you own your Rocketfish Product during the Warranty Period. Warranty coverage terminates if you sell or otherwise transfer the Product.

How to obtain warranty service?

If you purchased the Product at a retail store location, take your original receipt and the Product to the store you purchased it from. Make sure that you place the Product in its original packaging or packaging that provides the same amount of protection as the original packaging. If you purchased the Product from an online web site, mail your original receipt and the Product to the address listed on the web site. Make sure that you put the Product in its original packaging or packaging that provides the same amount of protection as the original packaging.

Where is the warranty valid?

This warranty is valid only to the original purchaser of the Product in the United States and Canada.

What does the warranty not cover?

This warranty does not cover:

- Customer instruction
- Installation
- Set up adjustments
- Cosmetic damage
- Damage due to acts of God, such as lightning strikes
- Accident
- Misuse
- Abuse
- Negligence
- Commercial use
- Modification of any part of the Product, including the antenna

This warranty also does not cover:

- Damage due to incorrect operation or maintenance
- Connection to an incorrect voltage supply

- Attempted repair by anyone other than a facility authorized by Rocketfish to service the Product
- Products sold as is or with all faults
- Consumables, such as fuses or batteries
- Products where the factory applied serial number has been altered or removed

REPAIR REPLACEMENT AS PROVIDED UNDER THIS WARRANTY IS YOUR EXCLUSIVE REMEDY. ROCKETFISH SHALL NOT BE LIABLE FOR ANY INCIDENTAL OR CONSEQUENTIAL DAMAGES FOR THE BREACH OF ANY EXPRESS OR IMPLIED WARRANTY ON THIS PRODUCT, INCLUDING, BUT NOT LIMITED TO, LOST DATA, LOSS OF USE OF YOUR PRODUCT, LOST BUSINESS OR LOST PROFITS. ROCKETFISH PRODUCTS MAKES NO OTHER EXPRESS WARRANTIES WITH RESPECT TO THE PRODUCT, ALL EXPRESS AND IMPLIED WARRANTIES FOR THE PRODUCT, INCLUDING, BUT NOT LIMITED TO, ANY IMPLIED WARRANTIES OF AND CONDITIONS OF MERCHANTABILITY AND FITNESS FOR A PARTICULAR PURPOSE, ARE LIMITED IN DURATION TO THE WARRANTY PERIOD SET FORTH ABOVE AND NO WARRANTIES, WHETHER EXPRESS OR IMPLIED, WILL APPLY AFTER THE WARRANTY PERIOD. SOME STATES, PROVINCES AND JURISDICTIONS DO NOT ALLOW LIMITATIONS ON HOW LONG AN IMPLIED WARRANTY LASTS, SO THE ABOVE LIMITATION MAY NOT APPLY TO YOU. THIS WARRANTY GIVES YOU SPECIFIC LEGAL RIGHTS, AND YOU MAY ALSO HAVE OTHER RIGHTS, WHICH VARY FROM STATE TO STATE OR PROVINCE TO PROVINCE.

Contact Rocketfish:

For customer service please call 1-800-620-2790

www.rocketfishproducts.com

ROCKETFISH™ is a trademark of Best Buy Enterprise Services, Inc.

Distributed by Best Buy Purchasing, LLC.

Rocketfish, 7601 Penn Avenue South, Richfield, Minnesota, U.S.A.

Rocketfish RF-SH230

Casque d'écoute sans fil

Bluetooth^{MD}

Table des matières

Introduction	26
Fonctionnalités	27
Installation du casque d'écoute.....	30
Utilisation du casque d'écoute.....	36
Utilisation des menus	40
Entretien	43
Utilisation du casque d'écoute en toute sécurité	44
Problèmes et solutions.....	45
Spécifications.....	46
Avis juridiques	46
Garantie limitée d'un an	49
Bluetooth est une marque déposée propriété de Bluetooth SIG, Inc. U.S.A.	

Introduction

Merci d'avoir choisi ce casque d'écoute sans fil Bluetooth^{MD} RF-SH230 de Rocketfish. Ce guide de l'utilisateur fournit les informations nécessaires à l'utilisation et à l'entretien du casque d'écoute.

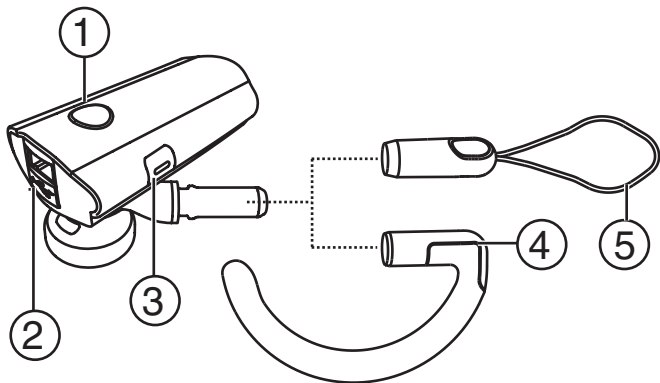
Fonctionnalités

- Couvertres de couleur interchangeables
- Numéros favoris (numéros abrégés) configurables par l'utilisateur
- Identification des appels de numéros favoris
- Conception à réduction de bruit pour une qualité vocale optimale
- Couplage facile (couplage automatique à la mise sous tension)
- Réponse aux appels automatique (configurable)
- Mode économie d'énergie pour une utilisation prolongée (mise hors tension automatique après 12 heures)
- Peut-être porté sur l'oreille gauche ou droite, avec ou sans le contour d'oreille
- 12 sonneries configurables

Contenu de l'emballage

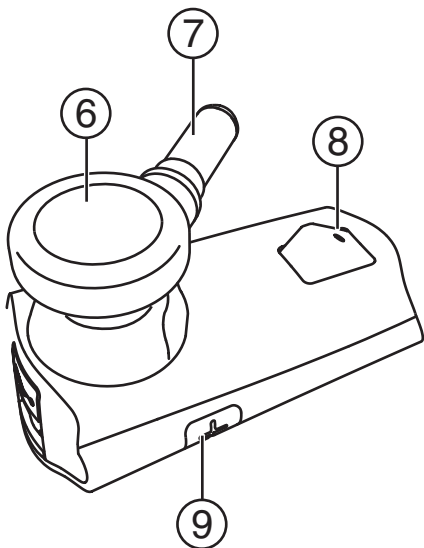
- Casque d'écoute
- Alimentation
- Deux couvertres de couleur amovibles
- Contour d'oreille
- Pince pour casque d'écoute
- Guide de l'utilisateur

Identification des éléments (dessus)



#	Élément
1	Touche multifonction/Témoin lumineux
2	Connecteur de charge du casque d'écoute
3	Vol-
4	Contour d'oreille
5	Cordon du casque d'écoute

Identification des éléments (dessous)



#	Élément
6	Haut-parleur
7	Bras multifonction
8	Microphone
9	Vol+

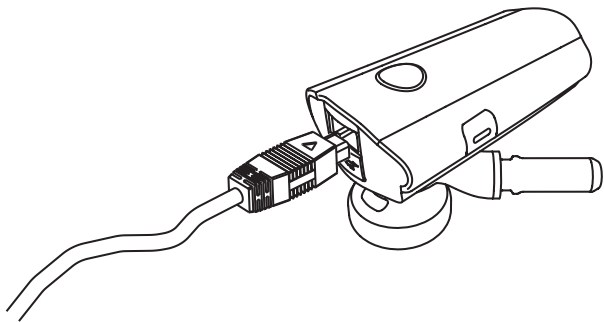
Installation du casque d'écoute

Charge du casque d'écoute

Avant d'utiliser le casque d'écoute il est nécessaire de charger la batterie.

Pour charger la batterie°:

- 1 Brancher l'alimentation sur une prise secteur.
- 2 Brancher l'autre extrémité de l'alimentation sur le connecteur de charge du casque d'écoute [2]. Le témoin lumineux [1] devient vert pour indiquer que la batterie du casque d'écoute est en cours de charge.



- 3 Débrancher le casque d'écoute de l'alimentation quand le témoin lumineux s'éteint. Le casque d'écoute est complètement chargé.

Remarque°:

Le casque d'écoute ne fonctionne pas pendant la charge.

Si le témoin lumineux reste éteint lors de la connexion à l'alimentation, cela signifie que la batterie est déjà complètement chargée.

Pour augmenter la durée d'utilisation de la batterie, ne pas charger le casque d'écoute plus longtemps que nécessaire.

Quand la batterie est complètement déchargée, il faut environ trois heures pour recharger complètement le casque d'écoute.

La durée d'utilisation de la batterie peut sembler courte quand le casque d'écoute est utilisé pour la première fois. La batterie ne sera complètement chargée qu'après deux ou trois cycles complets de charge/décharge.

Couplage du casque d'écoute

Couplage automatique

Pour plus de commodité, le casque d'écoute est doté d'une fonction de couplage automatique; aussi quand il est mis sous tension pour la première fois il est déjà en mode couplage. Le casque d'écoute émettra un bip toutes les deux secondes pour indiquer qu'il est en mode couplage et qu'il peut être couplé à un téléphone cellulaire.

Pour coupler le casque d'écoute:

- 1** Mettre le téléphone cellulaire en mode couplage (voir le manuel de l'utilisateur du téléphone cellulaire). Prendre soin de tenir le téléphone cellulaire à plus de trois pieds (un mètre) du casque d'écoute.
- 2** Sélectionner le nom du casque d'écoute « RF-SH230 ».
- 3** Saisir le NIP°: 0000. Si le couplage à été effectué avec succès, les bips s'arrêtent et le témoin clignote toutes les trois secondes.

Couplage normal

Cette procédure est nécessaire pour coupler le casque d'écoute avec un autre téléphone cellulaire.

Pour coupler le casque d'écoute°:

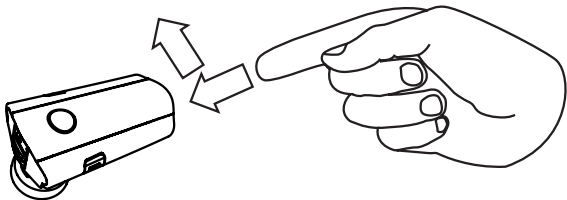
- 1 Vérifier que le casque d'écoute est hors tension.
- 2 Mettre le casque d'écoute en mode couplage en maintenant appuyée la touche multifonction pendant environ cinq secondes. Le témoin lumineux doit clignoter deux fois par seconde et une série de bips retentit toutes les deux secondes.
- 3 Terminer la procédure de couplage automatique.

Remplacement des couvercles de couleur

Le casque d'écoute est livré avec deux couvercles de couleur interchangeables supplémentaires pour s'adapter au style de l'utilisateur.

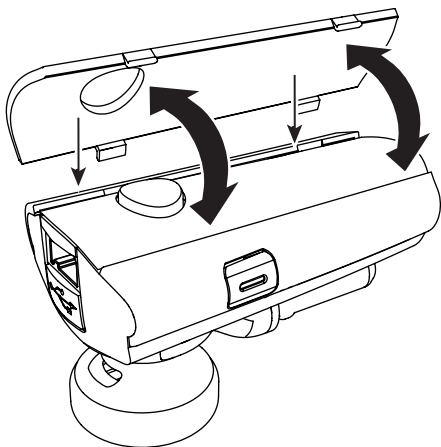
Pour retirer le couvercle de couleur°:

- Placer le doigt à l'extrémité du couvercle proche du microphone, puis l'extraire délicatement.



Pour installer le nouveau couvercle°:

- Insérer **d'abord l'onglet le plus large** du côté du couvercle, puis abaisser l'autre côté en appuyant sur les onglets plus petits pour les insérer dans les fentes correspondantes.



Port et utilisation du casque d'écoute

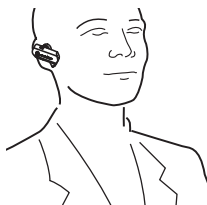
Le casque d'écoute peut être porté sur n'importe quelle oreille et utilisé de façons diverses par rotation du bras multifonction [7].

Port du casque d'écoute sans le contour d'oreille

Le casque d'écoute peut être porté sans utiliser le contour d'oreille.

Pour porter le casque d'écoute sans le contour d'oreille

- 1 Placer délicatement le haut-parleur [6] dans le conduit auditif.



- 2 Faire pivoter le casque d'écoute vers l'avant et l'arrière pour détecter la position la plus confortable.

Port du casque d'écoute avec le contour d'oreille

Le contour d'oreille peut être utilisé pour un confort maximal et un meilleur positionnement.

Pour installer le contour d'oreille°:

- Faire pivoter le bras multifonction [7] vers le haut et le glisser à l'intérieur du connecteur du contour d'oreille [4].

Pour positionner le contour d'oreille sur l'oreille°:

- 1 Faire pivoter légèrement le contour d'oreille [4] vers l'avant.

- 2 Placer délicatement le haut-parleur [6] dans le conduit auditif.



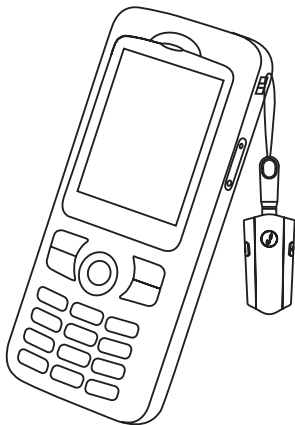
- 3 Faire pivoter le contour d'oreille [4] vers l'arrière et le positionner derrière l'oreille.

Pour adapter le contour d'oreille d'une oreille à l'autre°:

- Faire pivoter le bras multifonction [7] vers le bas et faire pivoter le contour d'oreille [4] dans le sens opposé.

Transport du casque d'écoute

Utiliser le cordon du casque d'écoute pour le fixer au téléphone cellulaire.



Utilisation du casque d'écoute

Attention°: L'utilisation prolongée du casque d'écoute à volume élevé peut affecter la capacité auditive.

Mise sous et hors tension du casque d'écoute

Pour mettre le casque d'écoute sous tension°:

- Maintenir appuyée la touche multifonction [1] pendant environ trois secondes jusqu'à l'émission d'une série de sons. Le témoin lumineux [1] scintille pendant une seconde et commence à clignoter.

Pour mettre le casque d'écoute hors tension°:

- Maintenir appuyée la touche multifonction [1] pendant environ trois secondes jusqu'à l'émission d'une série de sons. Le témoin lumineux clignote avant de s'éteindre.

Réglage du volume

Pour augmenter le volume°:

- Pendant un appel, appuyer sur la touche Vol+ [9].

Pour diminuer le volume°:

- Pendant un appel, appuyer sur la touche Vol- [3].

Le casque d'écoute mémorise tous les réglages de volume même après avoir été mis hors tension.

Acceptation ou refus d'un appel

Pour accepter un appel°:

- Quand le téléphone cellulaire sonne (la sonnerie retentit dans le casque d'écoute), appuyer une fois brièvement sur la touche multifonction [1].

Pour refuser un appel°:

- Maintenir appuyée la touche multifonction [1] pendant une seconde.

Remarque°: Pour refuser un appel, le téléphone cellulaire doit prendre en charge le profil mains libres

Réponse automatique (décrocher lors d'un appel)

Le casque d'écoute peut être configuré pour répondre automatiquement à tous les appels après trois secondes.

Pour configurer le casque d'écoute pour répondre automatiquement:

- Maintenir appuyées les touches multifonction et Vol pendant une seconde.

Composition d'un appel à partir du téléphone cellulaire

Pour faire un appel°:

- Composer le numéro comme d'habitude avec le téléphone cellulaire. Si le casque d'écoute est sous tension et le téléphone cellulaire correctement couplé, celui-ci transfère l'appel sur le casque d'écoute.

Composition d'un appel avec numérotation vocale

Pour faire un appel avec composition vocale°:

- 1 Appuyer brièvement sur la touche multifonction et attendre la tonalité du téléphone cellulaire.
- 2 Donner le nom de la personne à appeler.

Remarque°: le téléphone cellulaire doit prendre en charge la composition vocale et des étiquettes vocales doivent d'abord être associées dans le téléphone avec des numéros téléphoniques (voir le manuel du téléphone cellulaire pour plus de détails).

Terminer un appel

Pour terminer un appel°:

- Appuyer brièvement sur la touche multifonction [1] pendant un appel. La communication est déconnectée.

Enregistrement d'un numéro favori

Un numéro favori peut être enregistré dans le casque d'écoute comme numéro abrégé qui peut être appelé à l'aide de la touche multifonction. Ce numéro peut être enregistré automatiquement à partir du dernier appel reçu (cette fonction est inopérante pour les numéros cachés ou non identifiés).

Pour enregistrer un numéro favori à partir du dernier appel reçu:

- Quand l'appel reçu est terminé, maintenir appuyées pendant trois secondes les touches Vol+ et Vol-, jusqu'à l'émission d'une série de sons. Le numéro du dernier appel reçu est enregistré.

Pour appeler un numéro favori:

- Maintenir appuyée la touche multifonction pendant une seconde.

Identification du numéro d'appel favori

Quand le téléphone cellulaire sonne, si le numéro d'appel est déjà enregistré parmi les numéros favoris, une sonnerie spéciale permettra d'identifier qu'il s'agit d'un appel en provenance d'un numéro favori.

Remarque°: L'enregistrement d'un numéro favori et l'identification de l'appelant sont inopérants si le numéro de l'appelant est caché ou non identifié par le réseau.

Économie de la batterie

Pour économiser la durée d'utilisation de la batterie, le casque d'écoute intègre une fonction de mise hors tension automatique. Cette fonction éteint le casque d'écoute après 12 heures d'inactivité. Quand le casque d'écoute a été mis hors tension, il peut être remis en marche de nouveau normalement.

Quand la charge restante de la batterie n'est que de 10 %, le casque d'écoute émet un avertissement sonore chaque fois qu'un appel est terminé.

Pour vérifier le niveau de la batterie°:

Appuyer quatre fois sur la touche multifonction [1].

Réinitialisation du casque d'écoute

Si le casque d'écoute cesse de fonctionner, essayer de le brancher sur une alimentation pendant quelques secondes. Le casque d'écoute doit reprendre son fonctionnement normal.

Utilisation des menus

Pour activer les fonctions de menus étendues°:

- Appuyer sur Vol+ [9], Vol- [3] et la touche multifonction [1] jusqu'à entendre une série de quatre bips croissants.

Pour revenir au menu principal°:

- Appuyer sur les touches Vol+ [9], Vol- [3] et la touche multifonction [1] jusqu'à entendre une série de quatre bips croissants.

Remarque°: Tous les réglages de fonctions de menus étendues seront perdus.

Menu principal

Comment...	Action	Réponse du casque d'écoute
Mise du casque sous tension.	Alors que le casque d'écoute est éteint, maintenir appuyée la touche multifonction pendant trois secondes.	Le casque d'écoute s'allume et le témoin clignote en vert.
Mise du casque hors tension.	Alors que le casque d'écoute est allumé, maintenir appuyée la touche multifonction pendant trois secondes.	Le témoin clignote en vert trois fois par seconde pendant deux secondes, puis le casque d'écoute s'éteint.
Augmenter le volume.	Alors que le casque d'écoute est sous tension ou pendant un appel, appuyer de façon répétée sur Vol+.	À chaque appui un bip est émis avec une tonalité et un volume de plus en plus élevés.

Comment...	Action	Réponse du casque d'écoute
Diminuer le volume.	Alors que le casque d'écoute est sous tension ou pendant un appel, appuyer de façon répétée sur Vol-.	A chaque appui un bip est émis avec une tonalité et un volume de moins en moins élevés.
Entrée en mode couplage.	Alors que le casque d'écoute est éteint, maintenir appuyée la touche multifonction pendant cinq secondes. Voir les instructions de couplage du téléphone cellulaire.	Le témoin du casque d'écoute clignote en vert deux fois par seconde et une série de tonalités élevées est émise.
Pour accepter un appel.	Quand un appel se manifeste, appuyer une fois sur la touche multifonction.	Le casque d'écoute répond à l'appel.
Pour refuser un appel (n'est disponible que sur les téléphones cellulaires prenant en charge la fonction mains libres mode 2).	Quand un appel se manifeste, maintenir appuyée la touche multifonction pendant une seconde.	Le casque d'écoute refuse l'appel.
Composition vocale (n'est disponible que sur les téléphones cellulaires prenant en charge la composition vocale).	Alors que le casque d'écoute est sous tension, appuyer une fois sur la touche multifonction.	Le casque d'écoute émet une série de bips courts, pendant que le téléphone cellulaire exécute la commande de composition vocale.
Terminer un appel.	Quand un appel se manifeste, appuyer une fois sur la touche multifonction.	Le casque d'écoute met fin à l'appel en cours.
Enregistrement d'un numéro favori.	Appuyer sur Vol- et Vol+ pendant trois secondes.	Le numéro du dernier appel reçu est enregistré parmi les favoris.
Appel d'un numéro favori.	Appuyer sur la touche multifonction pendant une seconde.	Le numéro favori est appelé.

Comment...	Action	Réponse du casque d'écoute
Pour activer la réponse automatique à un appel.	Alors que le casque d'écoute est allumé, appuyer sur les touches multifonction et Vol pendant une seconde.	Cela permet de sélectionner le mode de réponse automatique à un appel. La réponse automatique à un appel est désactivée de la même façon.
Vérifier le niveau de la batterie.	Alors que le casque d'écoute est sous tension, appuyer quatre fois sur la touche multifonction.	Le nombre de tonalités (1, 2, 3 ou 4) indique approximativement le nombre d'heures de communication restant (>1, 2, 3 ou 4).

Menu étendu

Comment...	Action	Réponse du casque d'écoute
Activer ou désactiver le menu étendu.	Alors que le casque d'écoute est allumé, appuyer sur Vol+, Vol- et la touche multifonction pendant une seconde.	Une série de quatre bips est émise.
Mise en sourdine du microphone.	Quand un appel se manifeste, appuyer deux fois sur la touche multifonction.	Le microphone est mis en sourdine et des tonalités périodiques sont émises.
Pour réactiver le microphone.	Quand un appel se manifeste alors que le microphone est mis en sourdine, appuyer deux fois sur la touche multifonction.	Le microphone est réactivé.
Recomposition du dernier numéro (n'est disponible que sur les téléphones cellulaires prenant en charge la fonction mains libres mode 2).	Alors que le casque d'écoute est sous tension, appuyer deux fois sur la touche multifonction.	Le téléphone cellulaire recompose le numéro.
Choix de la sonnerie.	Alors que le casque d'écoute est allumé, maintenir appuyé Vol+ ou Vol- pendant cinq secondes.	Cela permet d'accéder à la liste des sonneries.

Comment...	Action	Réponse du casque d'écoute
Pour entendre une sonnerie différente.	Dans le menu des sonneries, appuyer sur Vol+ ou Vol- pour écouter les différentes sonneries.	Parcourir la liste des sonneries.
Sélectionner une sonnerie.	Dans le menu des sonneries appuyer une fois sur la touche multifonction.	Sélectionner ensuite une sonnerie pour le casque d'écoute.
Permutation des touches Vol+ et Vol-.	Dans le menu des sonneries appuyer deux fois sur la touche multifonction.	Permuter ensuite les touches Vol+ et Vol-.

Entretien

Entretien de la batterie

La batterie du casque d'écoute aura une durée d'utilisation plus longue si les conseils ci-après sont appliqués°:

- Ne pas charger le casque d'écoute à l'extérieur
- Ne pas charger le casque d'écoute si la température ambiante est supérieure à 113° Fahrenheit (45° Celsius) ou inférieure à 50° Fahrenheit (10° Celsius).
- Ne pas laisser le casque d'écoute connecté au chargeur pendant une durée prolongée, car une charge excessive affectera la durée d'utilisation de la batterie.

Utilisation du casque d'écoute en toute sécurité

- N'utiliser le casque d'écoute qu'en appliquant les instructions de ce *Guide de l'utilisateur*. Une utilisation contraire à ces instructions peut être source de blessures. En outre, toute utilisation de ce casque d'écoute non conforme aux instructions de ce *Guide de l'utilisateur* annulera toute garantie.
- Ne pas utiliser le casque d'écoute dans un environnement où il pourrait être en contact avec des liquides ou être exposé à une humidité élevée ou des températures excessives.
- Ne pas mettre le casque d'écoute dans un feu, car il peut exploser et être source de blessures graves voire mortelles.
- Ne pas utiliser le casque d'écoute dans des endroits où l'utilisation d'émetteur radio est interdite (tels que dans un avion ou un hôpital) ou à proximité de dispositifs sensibles qui peuvent être affectés par un émetteur radio (tels qu'un stimulateur cardiaque).
- L'utilisateur ne doit pas essayer de réparer ce casque d'écoute. Si le casque d'écoute nécessite une réparation, elle doit être réalisée par du personnel qualifié.
- Lorsque le casque d'écoute est sale, il faut le nettoyer avec un chiffon doux. Ne pas utiliser d'agents de nettoyage, car cela pourrait endommager le plastique, l'électronique ou la batterie.
- L'utilisation du casque d'écoute pendant la conduite peut affecter la capacité du conducteur à réagir aux conditions du trafic.
- En outre l'utilisation d'un casque d'écoute sans fil pendant la conduite d'un véhicule est illégale dans certains pays.

- Comme ce casque d'écoute contient des pièces qui peuvent être sources de blessures en cas d'incendie, le conserver à l'écart des enfants.
- N'utiliser que l'alimentation fournie, dont l'étiquette indique qu'elle est compatible avec le casque d'écoute RF-SH230.

Attention: L'utilisation prolongée du casque d'écoute à volume élevé peut affecter la capacité auditive.

Problèmes et solutions

Problème	Solution
Le casque d'écoute ne se met pas sous tension.	<ul style="list-style-type: none"> • La batterie du casque d'écoute est peut être déchargée. Essayer de recharger le casque d'écoute.
Le couplage ne peut être effectué.	<ul style="list-style-type: none"> • Essayer de rapprocher le téléphone cellulaire et le casque d'écoute pendant le couplage. • Vérifier que le téléphone cellulaire est en mode Bluetooth correct. • Certains appareils électriques tels que les fours à micro-ondes émettent des parasites d'origine électrique pouvant gêner la communication contre le casque d'écoute et le téléphone cellulaire. Rester à l'écart de tels appareils et essayer de nouveau.
Le couplage à été effectué mais il n'est pas possible d'entendre les appels	<ul style="list-style-type: none"> • Vérifier que le téléphone cellulaire est sous tension et prêt à communiquer avec le casque d'écoute.
Le casque d'écoute ne répond pas quand les touches sont appuyées.	<ul style="list-style-type: none"> • Vérifier que la batterie du casque d'écoute est chargée. • Essayer de réinitialiser le casque d'écoute conformément aux instructions de la rubrique « Resetting your headset » à la page 15.
L'appel des numéros favoris ne fonctionne pas.	<ul style="list-style-type: none"> • Si le numéro appelant est caché cette fonction est inopérante • Certains téléphones cellulaires ne prennent pas en charge la fonctionnalité d'identification du demandeur au format standard. Cette fonctionnalité est inopérante avec ces téléphones cellulaires.

Spécifications

Conformité Bluetooth.....	Bluetooth 2.0, 1.2 et 1.1
Durée de conversation	Jusqu'à huit heures
Durée en mode attente	Jusqu'à deux semaines
Portée	Jusqu'à 33 pieds (10 m)
Poids	0,024 lb (11 g)
Dimensions... 1,8 po x 0,8 po x 1,1 po	(45 mm x 21 mm x 27 mm)

Avis juridiques

Rocket Fish RF-SH230



Tested To Comply
With FCC Standards

FOR HOME OR OFFICE USE

FCC article 15

Cet appareil est conforme à l'article 15 du règlement de la FCC. Son utilisation est soumise aux deux conditions suivantes : (1) cet appareil ne doit pas provoquer d'interférences préjudiciables, et (2) il doit accepter toute interférence reçue, y compris celles risquant d'engendrer un fonctionnement indésirable.

Cet équipement a été mis à l'essai et déclaré conforme aux limites prévues pour un appareil numérique de classe B, définies dans la section 15 de la réglementation FCC. Ces limites ont été établies pour fournir une protection raisonnable contre les interférences préjudiciables lors d'une installation résidentielle. Cet équipement génère, utilise et diffuse des ondes radio et, s'il n'est pas installé et utilisé conformément aux instructions dont il fait l'objet, il peut provoquer des interférences préjudiciables aux communications radio. Cependant, il n'est pas possible de garantir qu'aucune interférence ne se produira pour une installation particulière. Si cet équipement produit des interférences importantes lors de réceptions radio ou télévisées, qui peuvent être détectées en éteignant puis en rallumant l'appareil, essayer de corriger l'interférence au moyen de l'une ou de plusieurs des mesures suivantes°:

- Réorienter ou déplacer l'antenne réceptrice.
- Augmenter la distance entre l'équipement et le récepteur.
- Brancher l'équipement sur la prise électrique d'un circuit différent de celui auquel le récepteur est relié.
- Contacter le revendeur ou un technicien qualifié pour toute assistance.

Avertissement de la FCC

Tous changements ou modifications qui ne seraient pas expressément approuvés par les responsables de l'application des règles FCC pourraient rendre nul le droit de l'utilisateur d'utiliser cet équipement.

Droits d'auteurs

© 2007 Rocketfish. Rocketfish et le logo de Rocketfish sont des marques de commerce de Best Buy Enterprise Services, Inc. Les autres noms de marques et de produits mentionnés sont des marques de commerce ou des marques déposées de leurs propriétaires respectifs. Les spécifications et caractéristiques sont susceptibles d'être modifiées sans préavis.

Pour toute réparation ou assistance technique, appeler le (800) 305-2204.

Garantie limitée d'un an

Rocketfish Products (« Rocketfish ») garantit au premier acheteur de ce **RF-SH230** neuf (« Produit »), qu'il est exempt de vices de fabrication et de main-d'œuvre à l'origine, pour une période d'un (1) an à partir de la date d'achat du Produit (« Période de garantie »). Ce Produit doit avoir été acheté chez un revendeur agréé des produits de la marque Rocketfish et emballé avec cette déclaration de garantie. Cette garantie ne couvre pas les Produits remis à neuf. Les conditions de la présente garantie s'appliquent à tout Produit pour lequel Rocketfish est notifié pendant la Période de garantie, d'un vice couvert par cette garantie qui nécessite une réparation.

Quelle est la durée de la couverture?

La Période de garantie dure 1 an (365 jours) à compter de la date d'achat de ce Produit. La date d'achat est imprimée sur le reçu fourni avec le produit.

Que couvre cette garantie?

Pendant la Période de garantie, si un vice de matériau ou de main-d'œuvre d'origine est détecté sur le Produit par un service de réparation agréé par Rocketfish ou le personnel du magasin, Rocketfish (à sa seule discrétion) : (1) réparera le Produit en utilisant des pièces détachées neuves ou remises à neuf; ou (2) remplacera le Produit par un produit ou des pièces neuves ou remises à neuf de qualité comparable. Les produits et pièces remplacés au titre de cette garantie deviennent la propriété de Rocketfish et ne sont pas retournés à l'acheteur. Si les Produits ou pièces nécessitent une réparation après l'expiration de la Période de garantie, l'acheteur devra payer tous les frais de main-d'œuvre et les pièces. Cette garantie reste en vigueur tant que l'acheteur reste propriétaire du Produit Rocketfish pendant la Période de garantie. La garantie prend fin si le Produit est revendu ou transféré d'une quelconque façon que ce soit à tout autre propriétaire.

Comment obtenir une réparation sous garantie?

Si le Produit a été acheté chez un détaillant, le rapporter accompagné du reçu original chez ce détaillant. Prendre soin de remettre le Produit dans son emballage d'origine ou dans un emballage qui procure la même qualité de protection que celui d'origine. Si le Produit a été acheté en ligne, l'expédier accompagné du reçu original à l'adresse indiquée sur le site Web. Prendre soin de remettre le Produit dans son emballage d'origine ou dans un emballage qui procure la même qualité de protection que celui d'origine.

Où cette garantie s'applique-t-elle?

Cette garantie ne s'applique qu'à l'acheteur original du Produit aux États-Unis et au Canada.

Ce qui n'est pas couvert par cette garantie limitée

La présente garantie ne couvre pas :

- la formation du client;
- l'installation;
- les réglages de configuration;
- les dommages esthétiques;
- les dommages résultants de catastrophes naturelles telles que la foudre;
- les accidents;
- une utilisation inadaptée;
- une manipulation abusive;
- la négligence;
- une utilisation commerciale;
- la modification de tout ou partie du Produit, y compris l'antenne.

La présente garantie ne couvre pas non plus :

- les dommages ayant pour origine une utilisation ou une maintenance défectueuse;
- la connexion à une source électrique dont la tension est inadéquate;
- toute réparation effectuée par quiconque autre qu'un service de réparation agréé par Rocketfish pour la réparation du Produit;
- les produits vendus en l'état ou hors service;
- les consommables tels que les fusibles ou les piles;
- les produits dont le numéro de série usine a été altéré ou enlevé.

LA RÉPARATION OU LE REMPLACEMENT, TELS QU'OFFERTS PAR LA PRÉSENTE GARANTIE, CONSTITUENT LE SEUL RECOURS DE L'ACHETEUR. ROCKETFISH NE SAURAIT ÊTRE TENU POUR RESPONSABLE DE DOMMAGES ACCESSOIRES OU CONSÉCUTIFS, RÉSULTANT DE L'INEXÉCUTION D'UNE GARANTIE EXPRESSE OU IMPLICITE SUR CE PRODUIT, Y COMPRIS, SANS S'Y LIMITER, LA PERTE DE DONNÉES, L'IMPOSSIBILITÉ D'UTILISER LE PRODUIT, L'INTERRUPTION D'ACTIVITÉ OU LA PERTE DE PROFITS. ROCKETFISH PRODUCTS N'OCTROIE AUCUNE AUTRE GARANTIE EXPRESSE RELATIVE À CE PRODUIT; TOUTES LES GARANTIES EXPRESSES OU IMPLICITES POUR CE PRODUIT, Y COMPRIS MAIS SANS LIMITATION, TOUTE GARANTIE DE QUALITÉ MARCHANDE, D'ADÉQUATION À UN BUT PARTICULIER, SONT LIMITÉES À LA PÉRIODE DE GARANTIE APPLICABLE TELLE QUE DÉCRITE CI-DESSUS ET AUCUNE GARANTIE EXPRESSE OU IMPLICITE, NE S'APPLIQUERA APRÈS LA PÉRIODE DE GARANTIE. CERTAINS ÉTATS ET PROVINCES NE RECONNAISSENT PAS LES LIMITATIONS DE LA DURÉE DE VALIDITÉ DES GARANTIES IMPLICITES. PAR CONSÉQUENT, LES LIMITATIONS SUSMENTIONNÉES PEUVENT NE PAS S'APPLIQUER À L'ACHETEUR ORIGINAL. LA PRÉSENTE GARANTIE DONNE À L'ACHETEUR DES GARANTIES JURIDIQUES SPÉCIFIQUES; IL PEUT AUSSI BÉNÉFICIER D'AUTRES GARANTIES QUI VARIENT D'UN ÉTAT OU D'UNE PROVINCE À L'AUTRE. Contacter Rocketfish :

Pour le service à la clientèle, appeler le 1-800-620-2790
www.rocketfishproducts.com
ROCKETFISH^{MC} est une marque de commerce de Best Buy Enterprise
Services, Inc.
Distribué par Best Buy Purchasing, LLC.
Rocketfish, 7601 Penn Avenue South, Richfield, Minnesota, U.S.A.

Rocketfish RF-SH230 Auricular Inalámbrico con Bluetooth®

Contenido

Introducción	53
Características	54
Preparación del auricular	57
Uso del auricular	62
Uso de los menús.....	66
Mantenimiento.....	69
Uso seguro del auricular	70
Localización y corrección de fallas	71
Especificaciones	71
Avisos legales	72
Garantía Limitada de 1 Año	75

Bluetooth es una marca comercial propiedad de Bluetooth SIG, Inc. U.S.A.

Introducción

Gracias por escoger el auricular inalámbrico con Bluetooth® Rocketfish RF-SH230. Esta guía del usuario le proporciona la información que necesita para usar y cuidar su auricular.

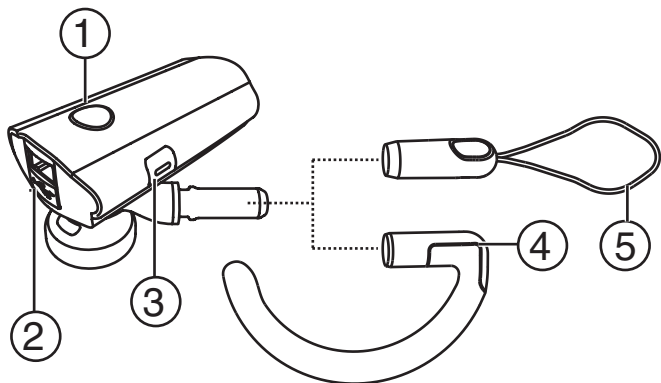
Características

- Cubiertas de color intercambiables
- Número favorito (marcado rápido) (configurable por el usuario)
- Identificador de llamadas de números favoritos
- Diseño de audio con protección contra ruido para una óptima calidad de voz
- Emparejamiento sencillo (emparejamiento automático al momento de encender)
- Contestador de llamadas automático (configurable)
- Modo de ahorro de energía para uso extendido (apagado automático después de 12 horas)
- Para uso al lado izquierdo o derecho, con o sin el gancho para la oreja
- 12 tonos de llamada configurables

Contenido del paquete

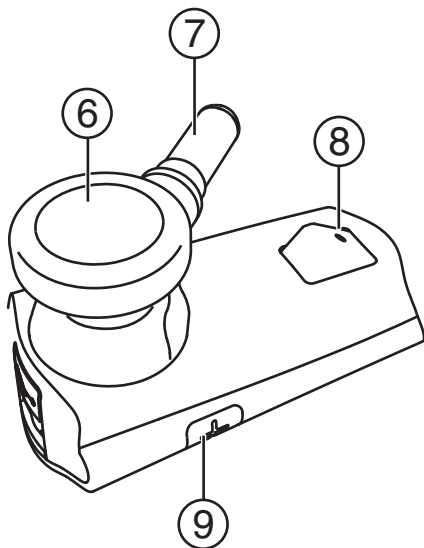
- Auricular
- Fuente de alimentación
- Dos cubiertas frontales desmontables de color
- Gancho para la oreja
- Clip para el auricular
- Guía del usuario

Identificación de piezas (superior)



#	Pieza
1	Botón/luz indicadora de función múltiple
2	Tomacorriente para el cargador del auricular
3	Vol-
4	Gancho para la oreja
5	Cable del auricular

Identificación de piezas (inferior)



#	Pieza
6	Altavoz
7	Brazo de función múltiple
8	Micrófono
9	Vol+

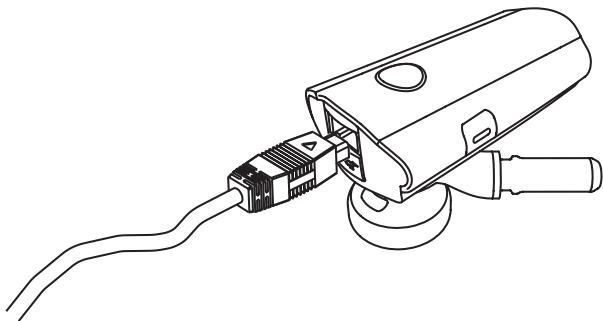
Preparación del auricular

Carga del auricular

Antes de usar el auricular, necesita cargar la batería.

Para cargar la batería:

- 1 Enchufe la fuente de alimentación en un tomacorriente.
- 2 Conecte el otro extremo de la fuente de alimentación en el tomacorriente para el cargador del auricular [2]. La luz indicadora [1] se ilumina color verde para indicar que la batería del auricular se está cargando.



- 3 Desconecte el auricular de la fuente de alimentación después que se apague la luz indicadora. El auricular está completamente cargado.

Nota:

El auricular no funciona durante la carga.

Si la luz indicadora permanece apagada cuando lo conecte a la fuente de alimentación, la batería ya está completamente cargada y no requiere más carga.

Para maximizar la vida útil de la batería, no cargue el auricular más de lo necesario.

Cuando su batería esté completamente descargada, toma hasta tres horas cargar completamente su auricular.

La vida útil de batería puede parecer corta cuando se usa el auricular por primera vez. La batería se cargará completamente después de dos o tres ciclos completos de carga y descarga.

Emparejamiento del auricular

Emparejamiento automático

Para mayor conveniencia, su auricular tiene una función de emparejamiento automático para que cuando encienda su auricular por primera vez, ya se encuentre en el modo de emparejamiento. Su auricular deberá emitir un sonido cada dos segundos para indicar que está en modo de emparejamiento y se puede emparejar con su teléfono celular.

Para emparejar su auricular:

- 1 Coloque su teléfono celular en modo de emparejamiento (refiérase al manual del usuario de su teléfono celular). Verifique que el teléfono celular esté a no más de tres pies (un metro) del auricular.
- 2 Seleccione el nombre del auricular "RF-SH230".
- 3 Ingrese el número de PIN: 0000. Si el emparejamiento tiene éxito, el pitidos se detiene y el indicador parpadeará cada tres segundos.

Emparejamiento normal

Complete este procedimiento si quiere emparejar su auricular con otro teléfono celular.

Para emparejar su auricular:

- 1 Verifique que el auricular esté apagado.

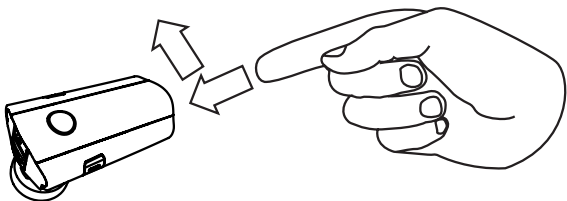
- 2 Coloque el auricular en modo de emparejamiento manteniendo presionado el botón de función múltiple por cerca de cinco segundos. La luz indicadora deberá parpadear dos veces por segundo y se deberá escuchar una serie de pitidos cada dos segundos.
- 3 Complete el procedimiento de emparejamiento automático.

Cambio de las cubiertas de color

Su auricular viene con dos cubiertas de color adicionales intercambiables para ajustarse a su estilo.

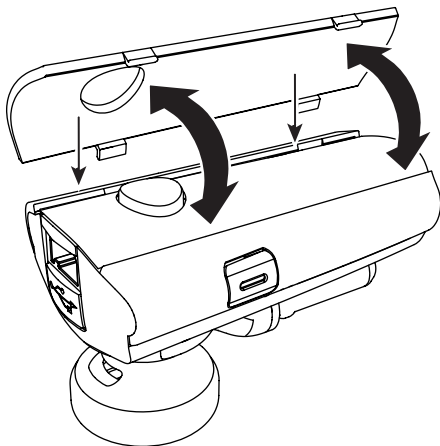
Para retirar una cubierta de color:

- Coloque su dedo en el extremo de la cubierta, cerca del micrófono y gírela suavemente hacia arriba.



Para instalar la cubierta nueva:

- Inserte el lado de la cubierta con las **pestañas de más grandes primero**, después gire hacia abajo el otro lado y presione las pestañas más pequeñas en sus ranuras correspondientes.



Uso y transporte del auricular

Usted puede usar su auricular en cualquiera de sus orejas y transportarlo en diferentes formas usando el brazo giratorio de función múltiple [7].

Uso del auricular sin el gancho para la oreja

Usted puede usar el auricular sin usar el gancho para la oreja.

Para usar el auricular sin el gancho para la oreja:

- 1 Coloque suavemente el altavoz [6] en su oído.



- 2 Gire el auricular hacia adelante y hacia atrás hasta encontrar la posición más confortable.

Uso del auricular con el gancho para la oreja

Para mayor comodidad y ajuste se puede usar el gancho para la oreja.

Para colocar el gancho para la oreja:

- Gire el brazo de función múltiple [7] hacia arriba y deslícelo dentro del conector del gancho para la oreja [4].

Para colocar el gancho en su oreja:

- 1 Gire ligeramente hacia adelante el gancho para la oreja [4].
- 2 Coloque suavemente el altavoz [6] en su oído.



- 3 Gire hacia atrás el gancho para el oído [4] y ajústelo detrás de su oído.

Para cambiar el gancho para la oreja de una oreja a otra:

- Gire hacia abajo el brazo de función múltiple [7] y gire el gancho para la oreja [4] hacia el lado opuesto.

Transporte del auricular

Use el cable del auricular para conectar el auricular a su teléfono celular.



Uso del auricular

Cuidado: El uso prolongado del auricular a niveles elevados de volumen puede dañar su audición.

Encendido y apagado del auricular

Para encender el auricular:

- Mantenga presionado el botón de función múltiple [1] por cerca de tres segundos hasta que se escuche una serie de tonos. La luz indicadora [1] brillará intermitentemente por un segundo y empezará a parpadear.

Para apagar el auricular:

- Mantenga presionado el botón de función múltiple [1] por cerca de tres segundos hasta que se escuche una serie de tonos. La luz indicadora parpadea antes de apagarse.

Ajuste del volumen

Para subir el volumen:

- Durante una llamada, presione el botón Vol+ [9].

Para bajar el volumen:

- Durante una llamada, presione el botón Vol- [3].

El auricular recuerda todos los ajustes de volumen aun cuando esté apagado.

Aceptar o rechazar una llamada

Para aceptar una llamada:

- Cuando el teléfono celular timbra (el tono de llamada se puede escuchar en el auricular), presione brevemente el botón de función múltiple [1].

Para rechazar una llamada:

- Mantenga presionado el botón de función múltiple [1] por un segundo.

Nota: Para rechazar una llamada, el teléfono celular debe soportar la característica de Manos libres

Contestador automático (Recepción de llamadas)

Usted puede configurar el auricular para contestar automáticamente todas las llamadas entrantes después de tres segundos.

Para configurar el contestador automático del auricular:

- Mantenga presionados los botones de función múltiple y de Vol- por un segundo.

Inicio de una llamada desde su teléfono celular

Para iniciar una llamada:

- Marque el número como de costumbre con su teléfono celular. Si su auricular está encendido y se ha emparejado correctamente el teléfono celular, su teléfono celular transferirá la llamada a su auricular.

Inicio de una llamada con marcación de voz

Para hacer una llamada con marcación de voz:

- 1 Presione brevemente el botón de función múltiple y espere el tono de respuesta del teléfono celular.
- 2 Diga el nombre de la persona que desea llamar.

Nota: su teléfono celular deberá soportar la marcación de voz y primero deberá grabar en su teléfono celular las etiquetas de voz asociadas con los números telefónicos (refiérase al manual de su teléfono celular para obtener más detalles).

Terminación de una llamada

Para terminar una llamada:

- Presione brevemente el botón de función múltiple [1] durante una llamada. La llamada se termina.

Almacenamiento de un número favorito

Es posible guardar un número favorito en el auricular y hacer un marcado rápido con el botón de función múltiple. Se puede guardar automáticamente el número de la última llamada entrante (no es compatible con los números privado o no identificados).

Para guardar número de la última llamada entrante como favorito:

- Una vez que ha terminado la llamada recibida, mantenga presionados ambos botones Vol+ y Vol- por tres segundos, hasta que escuche una serie de tonos. El número de la última llamada recibida quedará almacenado.

Para llamar al número favorito:

- Mantenga presionado el botón de función múltiple por un segundo.

Identificación del número de llamada favorito

Cuando timbra el teléfono celular, si el número entrante ya está almacenado como un número favorito, suena un tono especial que identifica la llamada del número favorito.

Nota: El almacenamiento de un número favorito y la identificación de llamadas no funcionarán si el número entrante es un número privado o no identificado por la red.

Conservación de la carga de la batería

Para conservar la carga de la batería, su auricular cuenta con una función de apagado automático. Esta función apaga el auricular después de 12 horas de inactividad. Una vez que su auricular se ha apagado automáticamente, se puede encender de nuevo normalmente.

Cuando la carga restante de la batería es de tan solo 10%, el auricular produce una secuencia de tonos de alerta audibles cada vez que se termina una llamada.

Para verificar el nivel de carga de la batería:

Presione cuatro veces el botón de función múltiple [1].

Reestablecimiento de su auricular

En caso de que su auricular deje de responder, intente conectarlo en la fuente de alimentación por unos segundos. Su auricular deberá funcionar nuevamente como de costumbre.

Uso de los menús

Para activar las funciones extendidas del menú:

- Presione los botones Vol+ [9], Vol- [3] y de función múltiple [1] hasta que escuche una serie de cuatro pitidos en tono ascendente.

Para regresar al menú principal:

- Presione los botones Vol+ [9], Vol- [3] y de función múltiple [1] hasta que escuche una serie de cuatro pitidos en tono ascendente.

Nota: La configuración de función extendida del menú se perderá.

Menú principal

Para ...	Acción	Respuesta del auricular
Encender la unidad.	Con el auricular apagado, mantenga presionado el botón de función múltiple por tres segundos.	Se enciende el auricular y la luz indicadora parpadea color verde.
Apague la unidad.	Con el auricular encendido, mantenga presionado el botón de función múltiple por tres segundos.	La luz indicadora parpadea color verde tres veces por segundo por dos segundos y después se apaga el auricular.

Para ...	Acción	Respuesta del auricular
Subir el volumen.	Con el auricular encendido o durante una llamada, presione repetidamente el botón Vol+.	Cada vez que presione escuchará un pitido con mayor volumen y un tono más alto.
Bajar el volumen.	Con el auricular encendido o durante una llamada, presione repetidamente el botón Vol-.	Cada vez que presione escuchará un pitido con menor volumen y un tono más bajo.
Entrar en el modo de emparejamiento.	Con el auricular apagado, mantenga presionado el botón de función múltiple por cinco segundos. Consulte las instrucciones de emparejamiento de su teléfono celular.	La luz indicadora del auricular parpadea color verde dos veces por segundo y se escucha una serie de tonos altos.
Aceptar una llamada.	Durante la llamada entrante, presione una vez el botón de función múltiple.	El auricular contesta la llamada.
Rechazar una llamada. (Solo está disponible con los teléfonos celulares que soportan el modo 2 de manos libres)	Durante la llamada entrante, mantenga presionado el botón de función múltiple por un segundo.	El auricular rechaza la llamada.
Realizar marcación de voz. (Solo está disponible con los teléfonos celulares que soportan la marcación de voz)	Con el auricular encendido, presione el botón de función múltiple.	El auricular emite una serie de pitidos cortos mientras el teléfono celular inicia el comando de marcado de voz.
Terminar una llamada.	Durante una llamada, presione el botón de función múltiple.	El auricular cuelga la llamada actual.
Guardar un número favorito.	Presione los botones Vol- y Vol+ por tres segundos.	El número de la última llamada entrante se almacena como favorito.
Llamar a un número favorito	Presione el botón de función múltiple por un segundo.	Llama al número favorito.

Para ...	Acción	Respuesta del auricular
Activar la recepción automática de llamadas.	Con el auricular encendido, presione los botones de función múltiple y de Vol- por un segundo.	Selecciona el modo de recepción automática de llamadas. De la misma manera se puede desactivar la recepción automática de llamadas.
Verifique el nivel de carga de la batería.	Con el auricular encendido, presione cuatro veces el botón de función múltiple.	El número de tonos (1, 2, 3 ó 4) indica aproximadamente el tiempo para hablar restante en horas (>1, 2, 3 ó 4).

Menú extendido

Para ...	Acción	Respuesta del auricular
Activar o desactivar el menú extendido.	Con el auricular encendido, presione los botones Vol+, Vol- y de función múltiple por un segundo.	Una serie de 4 pitidos.
Silenciar el micrófono.	Durante una llamada, presione dos veces el botón de función múltiple.	El micrófono se silenciará y se escucharán tonos periódicos.
Reactivar el micrófono.	Durante una llamada con el micrófono silenciado, presione dos veces el botón de función múltiple.	El micrófono se reactivará.
Volver a marcar el último número. (Solo está disponible con los teléfonos celulares que soportan el modo 2 de manos libres)	Con el auricular encendido, presione dos veces el botón de función múltiple.	El teléfono celular vuelve a marcar.
Ingresar la selección de tonos de llamada.	Con el auricular encendido, mantenga presionado ya sea el botón Vol+ o el Vol- por cinco segundos.	Accede a la lista de tonos de llamada.
Escuchar un tono de llamadas diferente.	En el menú de tonos de llamada presione Vol+ o Vol- para escuchar los diferentes tonos.	Hacia arriba y hacia abajo en la lista de tonos de llamada.

Para ...	Acción	Respuesta del auricular
Seleccionar un tono de llamada.	En el menú de tonos de llamada presione una vez el botón de función múltiple.	Selecciona un tono de llamada en el auricular.
Intercambiar los botones Vol+ y Vol-.	En el menú de tonos de llamada presione dos veces el botón de función múltiple.	Intercambia los botones Vol+ y Vol-.

Mantenimiento

Cuidado de la batería

La batería de su auricular tendrá una mayor vida útil si se siguen estas guías:

- No cargue su auricular al aire libre
- No cargue su auricular si la temperatura ambiente está arriba de 113° Fahrenheit (45° Celsius) o abajo de 50° Fahrenheit (10° Celsius).
- No deje su auricular conectado al cargador durante períodos prolongados de tiempo, ya que la carga excesiva reduce la vida útil de la batería.

Uso seguro del auricular

- Solamente use el auricular siguiendo las instrucciones de esta *Guía del usuario*. Usar este auricular ignorando estas direcciones puede causar lesiones. Adicionalmente, cualquier uso de este auricular contra esta *Guía del usuario* anulará cualquier garantía.
- No use el auricular en un ambiente donde pueda entrar en contacto con líquidos o estar expuesto a altos niveles de humedad o a temperaturas extremas.
- No coloque el auricular en el fuego ya que podría explotar y ser causa de lesiones personales o de muerte.
- No use el auricular en áreas donde se prohíba el uso de transmisores de radio (como en un avión o en un hospital) o cerca de dispositivos sensibles que puedan ser afectados por un transmisor de radio (como un marcapasos).
- No intente realizar reparaciones de este auricular. Si el auricular requiere reparación, ésta deberá efectuarla el personal de servicio autorizado.
- Si el auricular se ensucia, límpielo con un paño suave. No use agentes limpiadores ya que pueden dañar los plásticos, los componentes electrónicos o la batería.
- El uso de este auricular mientras maneja puede reducir su capacidad de reaccionar a las condiciones del camino.
- Note que usar un auricular inalámbrico mientras maneja es una práctica ilegal en ciertos países.
- Ya que este auricular contiene partes que pueden causar daños si se consumen, manténgalo fuera del alcance de los niños.
- Use únicamente la fuente de alimentación incluida con esta unidad marcada como compatible con el Auricular RF-SH230.

Cuidado: *El uso prolongado del auricular a niveles elevados de volumen puede dañar su audición.*

Localización y corrección de fallas

Problema	Solución
El auricular no enciende.	<ul style="list-style-type: none"> • La batería del auricular puede estar descargada. Intente recargar el auricular.
No se puede realizar el emparejamiento.	<ul style="list-style-type: none"> • Intente acercar el teléfono celular y el auricular durante el emparejamiento. • Verifique que el teléfono celular se encuentre en el modo correcto de Bluetooth. • Algunos dispositivos eléctricos como hornos de microondas crean un ambiente eléctrico ruidoso lo que dificulta que el auricular se comunice con el teléfono celular. Manténgase lejos de dichos dispositivos e intente nuevamente.
El emparejamiento se realizó con éxito pero no se pueden escuchar las llamadas	<ul style="list-style-type: none"> • Verifique que su teléfono celular esté encendido y listo para conectarse con el auricular.
El auricular deja de responder cuando se presionan los botones.	<ul style="list-style-type: none"> • Verifique que esté cargada la batería de su auricular. • Intente restablecer su auricular de acuerdo con las instrucciones especificadas en "Resetting your headset en la página 15.
No funciona el número de llamada favorito.	<ul style="list-style-type: none"> • Si el número entrante es privado, esta característica no funcionará. • Algunos teléfonos celulares no cuentan con la característica de identificador de llamadas en el formato estándar. La característica no puede funcionar con estos teléfonos celulares.

Especificaciones

Compatibilidad de Bluetooth	Bluetooth 2.0, 1.2, y 1.1
Tiempo para hablar.....	Hasta ocho horas
Tiempo de suspensión	Hasta dos semanas
Rango de alcance	Hasta 33 pies (10 metros)
Peso	0.024 lb (11 gramos)
Dimensiones	1.8" x 0.8" x 1.1" (45 mm x 21 mm x 27 mm)

Avisos legales

Rocket Fish RF-SH230



Tested To Comply
With FCC Standards

FOR HOME OR OFFICE USE

FCC Parte 15

Este dispositivo satisface la parte 15 del reglamento FCC. La operación de este producto está sujeta a las dos condiciones siguientes: (1) Este dispositivo no puede causar interferencia dañina, y (2) este dispositivo debe aceptar cualquier interferencia recibida incluyendo interferencias que puedan causar una operación no deseada.

Este equipo ha sido sometido a prueba y se ha determinado que satisface los límites establecidos para ser clasificado cómo dispositivo digital de la Clase B de acuerdo con la Parte 15 del reglamento FCC. Estos límites están diseñados para proporcionar una protección razonable contra interferencias dañinas en un ambiente residencial. Este equipo genera, usa y puede emitir energía de radiofrecuencia, y si no se instala y usa de acuerdo con las instrucciones, puede causar interferencias perjudiciales a las comunicaciones de radio. Sin embargo, no se garantiza que no ocurrirá interferencia en una instalación particular. Si este equipo causa interferencias perjudiciales en la recepción de la señal de radio o televisión, lo cual puede comprobarse encendiendo y apagando el reproductor alternativamente, se recomienda al usuario corregir la interferencia mediante uno de los siguientes procedimientos:

- Cambie la orientación o la ubicación de la antena receptora.
- Aumente la distancia entre el equipo y el receptor.
- Conecte el equipo a un tomacorriente de un circuito distinto de aquel al que está conectado el receptor.
- Solicite consejo al distribuidor o a un técnico calificado para obtener ayuda.

Advertencia de la FCC

Cualquier cambio o modificación que no esté aprobado expresamente por la parte responsable por el cumplimiento con el reglamento de FCC puede anular la autoridad del usuario para operar el equipo.

Derechos de reproducción

© 2007 Rocketfish. Rocketfish y el logotipo de Rocketfish son marcas comerciales de Best Buy Enterprise Services, Inc. Otras marcas y nombres de productos son marcas comerciales o marcas registradas de sus respectivos dueños. Las especificaciones y características están sujetas a cambio sin aviso previo u obligación.

Para reparación y soporte llamar al (800) 305-2204.

Garantía Limitada de 1 Año

Rocketfish Products ("Rocketfish") le garantiza a usted, el comprador original de este nuevo **RF-SH230** ("Producto"), que éste se encontrará libre de defectos de material o de mano de obra en su fabricación original por un periodo de un (1) año a partir de la fecha de compra del Producto ("Período de Garantía"). Este Producto debe ser comprado en un distribuidor autorizado de productos de la marca Rocketfish y empackado con esta declaración de garantía. Esta garantía no cubre Productos reacondicionados. Si notifica a Rocketfish durante el Período de Garantía sobre un defecto cubierto por esta garantía que requiere reparación, los términos de esta garantía se aplican.

¿Cuánto dura la garantía?

El Período de Garantía dura por un año (365 días) a partir de la fecha en que compró el Producto. La fecha de compra se encuentra impresa en el recibo que recibió con el producto.

¿Qué es lo que cubre esta garantía?

Durante el Período de Garantía, si un centro de reparación autorizado de Rocketfish concluye que la fabricación original del material o la mano de obra del Producto se encuentran defectuosos Rocketfish (cómo su opción exclusiva): (1) reparará el Producto con repuestos nuevos o reacondicionados; o (2) reemplazará el Producto con uno nuevo o con uno reacondicionado con repuestos equivalentes. Los Productos y repuestos reemplazados bajo esta garantía se volverán propiedad de Rocketfish y no se le regresarán a usted. Si se requiere la reparación de Productos y partes después de que se vence el Período de Garantía, usted deberá pagar todos los costos de mano de obra y de repuestos. Esta estará vigente con tal que usted sea el dueño de su Producto Rocketfish durante el periodo de garantía. El alcance de la garantía se termina si usted vende o transfiere el producto.

¿Cómo se obtiene la reparación de garantía?

Si ha comprado el Producto en una tienda de ventas, lleve su recibo original y el Producto a la tienda en donde lo compró. Asegúrese de que vuelva a colocar el Producto en su empaque original o en un empaque que provea la misma protección que el original. Si compró el Producto en un sitio Web, envíe por correo su recibo original y el Producto a la dirección postal listada en el sitio Web. Asegúrese de colocar el Producto en su empaque original o en un empaque que provea la misma protección que el original.

¿En dónde es válida la garantía?

Esta garantía sólo es válida al comprador original del Producto en los Estados Unidos y en Canadá.

¿Qué es lo que no cubre la garantía?

Esta garantía no cubre:

- Capacitación del cliente
- Instalación
- Ajuste de configuración
- Daños cosméticos
- Daños debido a actos de la naturaleza, tal como rayos
- Accidentes
- Mal uso
- Abuso
- Negligencia
- Uso comercial
- Modificación de alguna parte del Producto, incluyendo la antena

Esta garantía tampoco cubre:

- Daño debido al uso o mantenimiento incorrecto
- La conexión a una fuente de voltaje incorrecta

- El intento de reparación por alguien que no sea una compañía autorizada por Rocketfish para reparar el Producto
- Productos vendidos tal cual (en el estado en que se encuentran) o con todas sus fallas
- Productos consumibles, tal cómo fusibles o baterías
- Productos en los cuales el número de serie asignado en la fábrica ha sido alterado o removido.

EL REEMPLAZO DE REPARACIÓN SEGÚN PROVISTO BAJO ESTA GARANTÍA ES SU ÚNICO RECURSO. ROCKETFISH NO SERÁ RESPONSABLE POR DAÑOS INCIDENTALES O CONSECUENTES DEBIDO AL INCUMPLIMIENTO DE CUALQUIER GARANTÍA EXPRESA O IMPLÍCITA RELACIONADA CON ESTE PRODUCTO, INCLUYENDO, PERO SIN LIMITARSE A ELLO, PÉRDIDA DE DATOS, IMPOSIBILIDAD DE USO DE SU PRODUCTO, PÉRDIDA DE NEGOCIO O LUCRO CESANTE. ROCKETFISH NO CONCEDE NINGUNA OTRA GARANTÍA EXPRESA CON RESPECTO AL PRODUCTO; TODAS LAS GARANTÍAS EXPRESAS E IMPLÍCITAS DE ESTE PRODUCTO, INCLUYENDO PERO SIN LIMITARSE A, CUALQUIER GARANTÍA IMPLÍCITA DE O CONDICIONES DE COMERCIALIZACIÓN O IDONEIDAD PARA UN USO PARTICULAR, ESTÁN LIMITADAS EN DURACIÓN AL PERÍODO DE GARANTÍA DECLARADO ANTERIORMENTE Y NINGUNA GARANTÍA YA SEA EXPRESA O IMPLÍCITA SE APLICARÁ DESPUÉS DEL PERÍODO DE GARANTÍA. ALGUNOS ESTADOS, PROVINCIAS Y JURISDICIONES NO PERMITEN RESTRICCIONES EN CUANTO A LA DURACIÓN DE UNA GARANTÍA IMPLÍCITA, ASÍ QUE LA RESTRICCIÓN ANTERIOR PUEDE NO APLICARSE EN SU CASO. ESTA GARANTÍA LE DA DERECHOS LEGALES ESPECÍFICOS, Y USTED PUEDE POSEER OTROS DERECHOS QUE VARIÁN DE ESTADO A ESTADO, O DE PROVINCIA A PROVINCIA.

Comuníquese con Rocketfish:

Para servicio al cliente favor llamar al 1-800-620-2790

www.rocketfishproducts.com

ROCKETFISH™ es una marca comercial de Best Buy Enterprise Services, Inc.

Distribuido por Best Buy Purchasing, LLC

Rocketfish, 7601 Penn Avenue South, Richfield, Minnesota, U.S.A.



Free Manuals Download Website

<http://myh66.com>

<http://usermanuals.us>

<http://www.somanuals.com>

<http://www.4manuals.cc>

<http://www.manual-lib.com>

<http://www.404manual.com>

<http://www.luxmanual.com>

<http://aubethermostatmanual.com>

Golf course search by state

<http://golfingnear.com>

Email search by domain

<http://emailbydomain.com>

Auto manuals search

<http://auto.somanuals.com>

TV manuals search

<http://tv.somanuals.com>