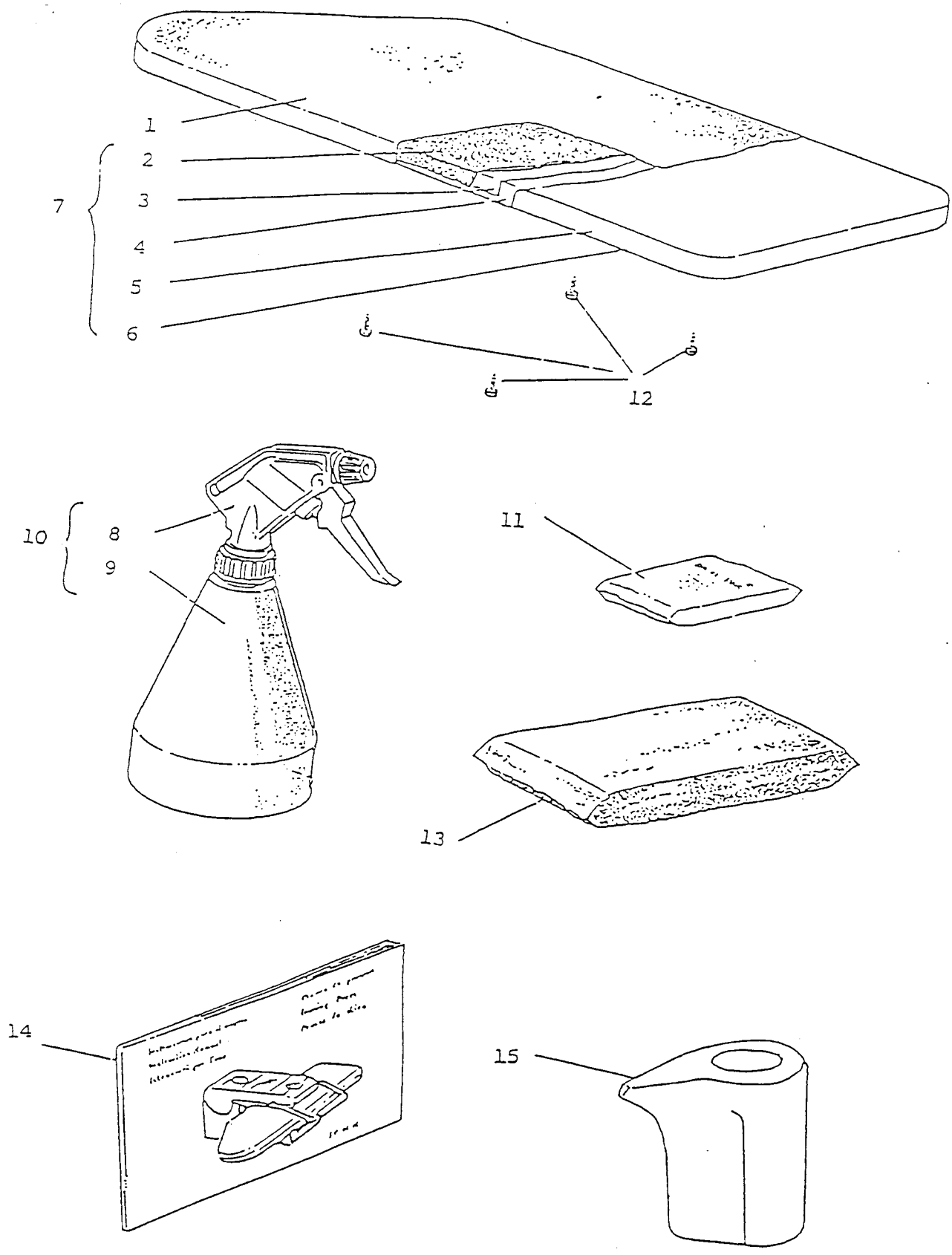


# **SINGER**

## **MSP8**

620 MSP8 PARTS CHT

Magic Steam Press 8  
Part List



**FIG 1C**

\* \* REFER TO FIGURE. 1C \* \*

ITEM	DESIGNATION	PART NO.	QTY.
1	FORMED IRONING CLOTH	284,137 -000	1
2	FORMED IRONING BACK-UP	284,138 -000	1
3	STUFFING FOR ITEM	284,139 -000	1
4	AL-FOIL	284,140 -000	1
5	PLATE STANDARD	284,141 -000	1
6	VINYL COVERING	284,074 -000	1
7	IRONING BOARD ASSEMBLY	284,928 -000	1 SET
8	SPRAYER HEAD	284,155 -000	1
9	SPRAYER BOTTOM	284,156 -000	1
10	SPRAYER BOTTLE ASSEMBLY	284,913 -000	1
11	DESICCATOR BAG	284,221 -000	1
12	SCREW	284,186 -000	4
13	SMOOTHING FELLOW	284,142 -000	1
14	INSTRUCTION BOOK (SPANISH-ENGLISH-ITALIAN)	284,214 -000	1
15	FILLER BEAKER	284,056 -000	1

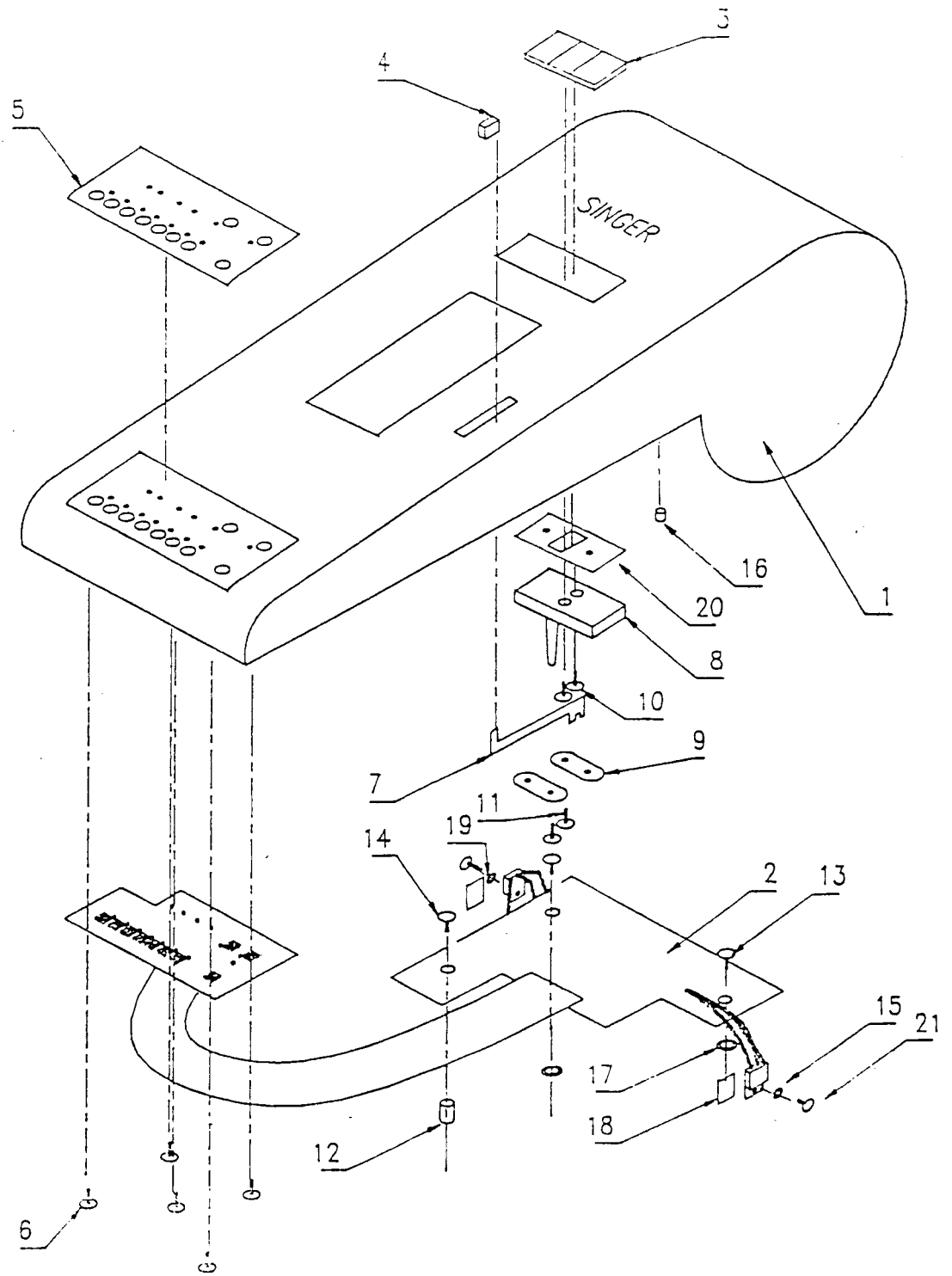


Fig. 3

\* \* REFER TO FIGURE. 3a\* \* (120V)

ITEM	DESIGNATION	PART NO	QTY.
1	ARM COVER	284301-000	1
2	PCB <i>120V</i>	284302-000	1
3	UPPER LOCK KNOB	284303-000	1
4	STEAM ADJUSTING KNOB	284304-000	1
5	GRAPHIC LABEL	284305-000	1
6	SCREW	284306-000	5
7	STEAM ADJUST SLIDE BLADE	284307-000	1
8	LOWER LOCK KNOB	284308-000	1
9	CLAMP PLATE	284309-000	2
10	SCREW	284177-000	2
11,13,21	SCREW	284178-000	6
12	PCB SPACER	284310-000	1
14	SCREW	284179-000	1
15	WASHER	284311-000	1
16	INSERT	284086-000	2
17	WASHER	284312-000	2
18	INSULATION TAPE	284313-000	2
19	WASHER	284314-000	1
20	LOCK KNOB PLATE	284315-000	1

\* \* REFER TO FIGURE. 3b\* \* (240V)

ITEM	DESIGNATION	PART NO.	QTY.
1	ARM COVER	284301-010	1
2	PCB <i>240V</i>	284302-010	1
3	UPPER LOCK KNOB	284303-000	1
4	STEAM ADJUSTING KNOB	284304-000	1
5	GRAPHIC LABEL	284305-000	1
6	SCREW	284306-000	5
7	STEAM ADJUST SLIDE BLADE	284307-000	1
8	LOWER LOCK KNOB	284308-000	1
9	CLAMP PLATE	284309-000	2
10	SCREW	284177-000	2
11,13,21	SCREW	284178-000	6
12	PCB SPACER	284310-000	1
14	SCREW	284179-000	1
15	WASHER	284311-000	1
16	INSERT	284086-000	2
17	WASHER	284312-000	2
18	INSULATION TAPE	284313-000	2
19	WASHER	284314-000	1
20	LOCK KNOB PLATE	284315-000	1

7 6 5 4 3 2 1

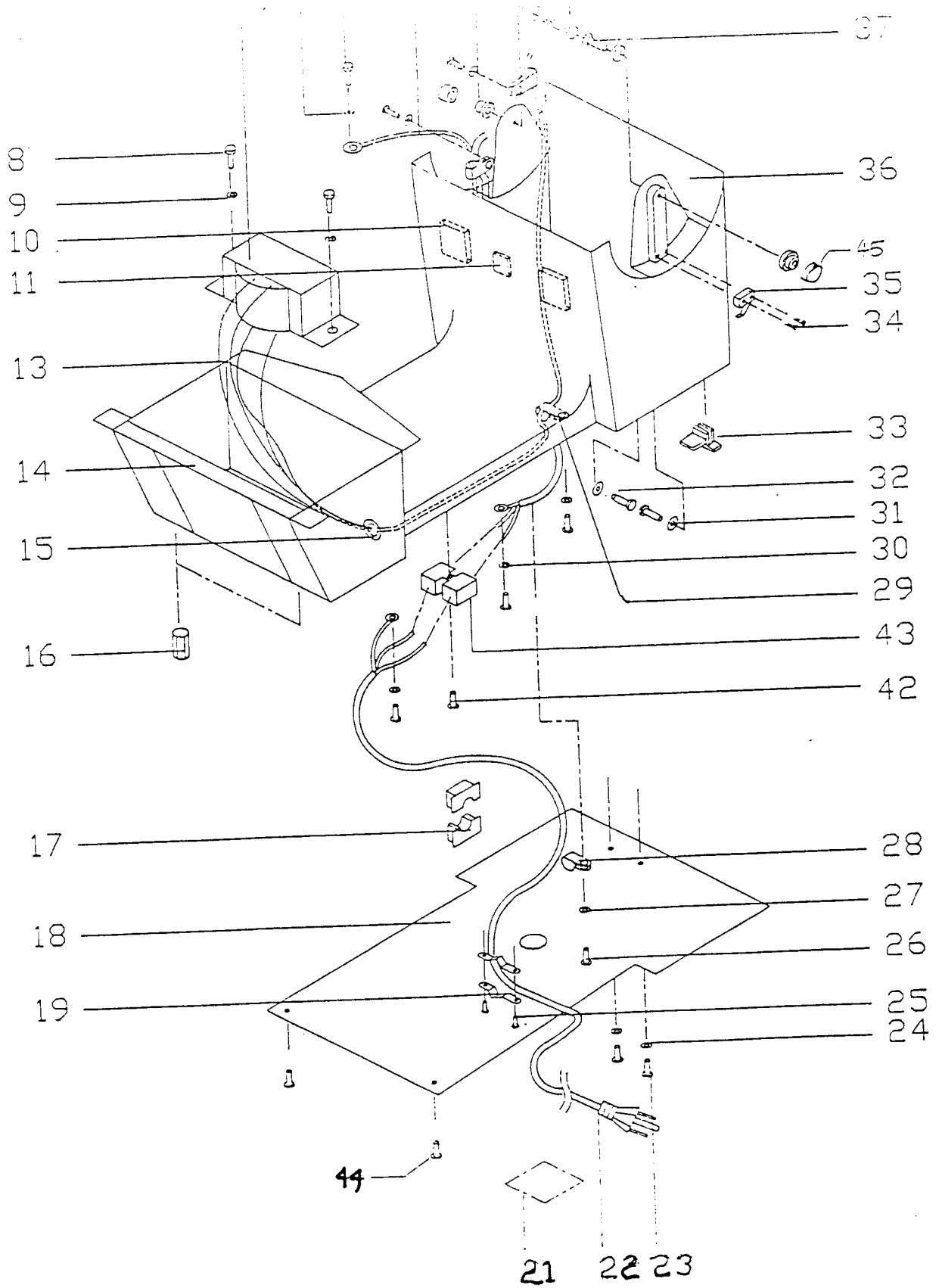


Fig 4A



\* \* REFER TO FIGURE. 4a\* \* (240V)

ITEM	DESIGNATION	PART NO.	QTY
1	SHAFT (LONG)	284116-000	1
2	WASHER	284203-000	2
3	FLANGE NUT (WITH SERRATIONS)	284152-000	2
5	SCREW	284178-000	1
6	M3 RETAINING WASHER	284195-000	3
7	TRANSFORMER ASSY	284316-000	1
8,26,29	SCREW	284183-000	8
9,27	WASHER	284197-000	2
10	SELF ADHESIVE BUFFER	284119-000	2
11	SELF ADHESIVE BUFFER	284117-000	1
13	TRANSFORMER LEAD WIRE (INPUT)	-----	-
14	SOCKET FRONT COVER (ADD COVER TRF)	284317-000	1
15	BUSHING SLEEVE	284318-000	1
16	RUBBER FEET	284319-000	2
17	CABLE PASS	284121-000	2
18	BASIC SHEET	284124-000	1
19	STRAIN BELIEF ASSEMBLY	284320-000	2
21	RATING LABEL	284321-000	1
22	CABLE SET (EUROPE)	284322-000	1
23	SCREW	284177-000	2
25	SCREW	284323-000	2
28	CABLE CLAMPING COLLAR	284120-000	1
29	CABLE CLAMPING COLLAR	284120-010	3
30	M4 RETAINING WASHER	284196-000	2
31	M8 RETAINING WASHER	284202-000	2
32	SCREW	284188-000	2
33	REAR FOOT	284324-000	2
34	MICRO SWITCH SCREW	284325-000	2
35	MICRO SWITCH	284326-000	1
36	BED/ SOCKET	284327-000	1
37	SHAFT (SHORT)	284111-000	1
41	MSP8 CABLE ASSY	284328-000	1
42	SCREW	284179-000	1
43	TERMINAL BLOCK	284329-000	1
44	SCREW	284330-000	2
45	FRONT FOOT	284331-000	2

USE 284316 NOT AVAILABLE SEPERATE.

220V & 120V IS SAME PART NUMBER HAVE TO INDICATE WHICH VOLTAGE ON PURCHASE ORDER.

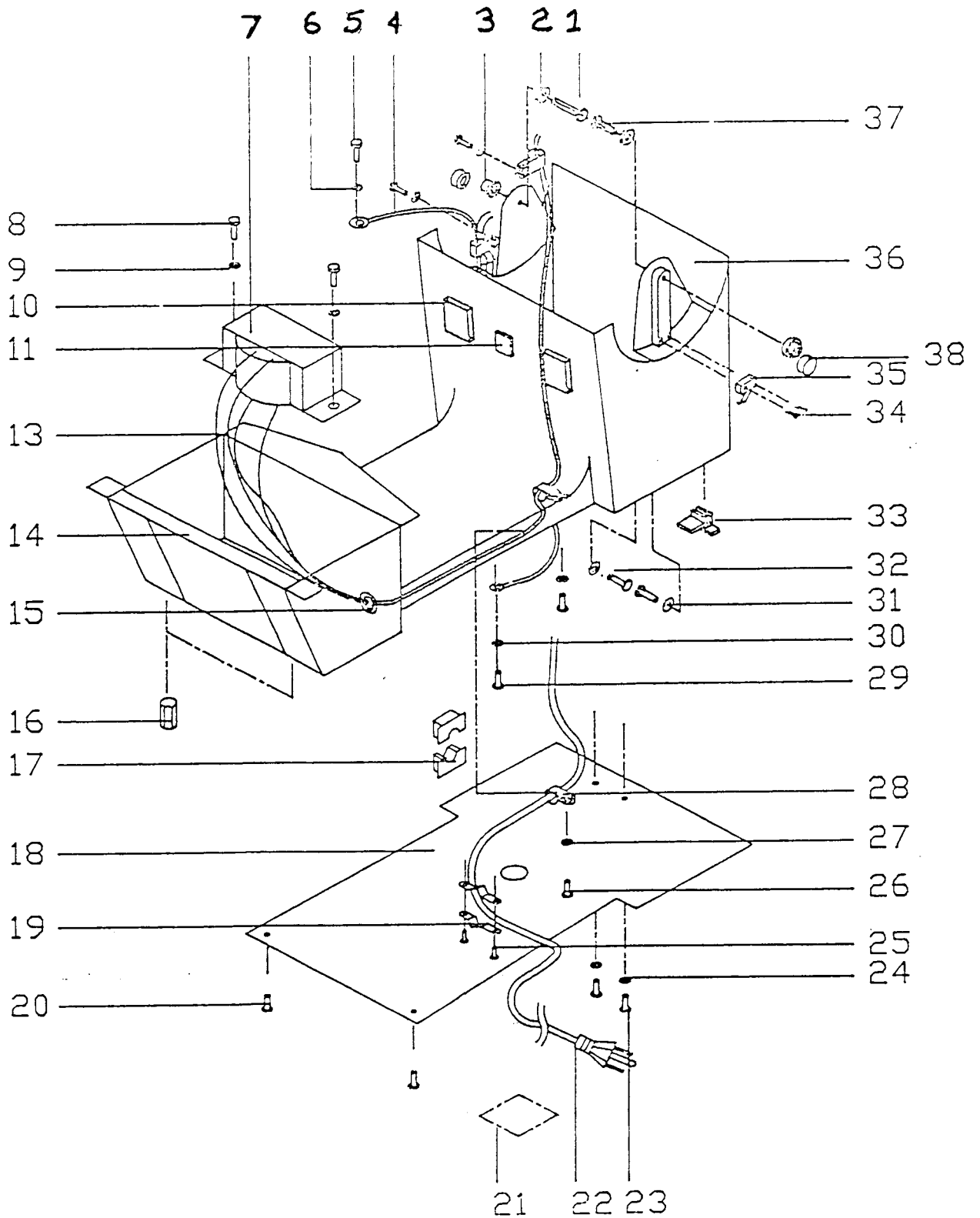
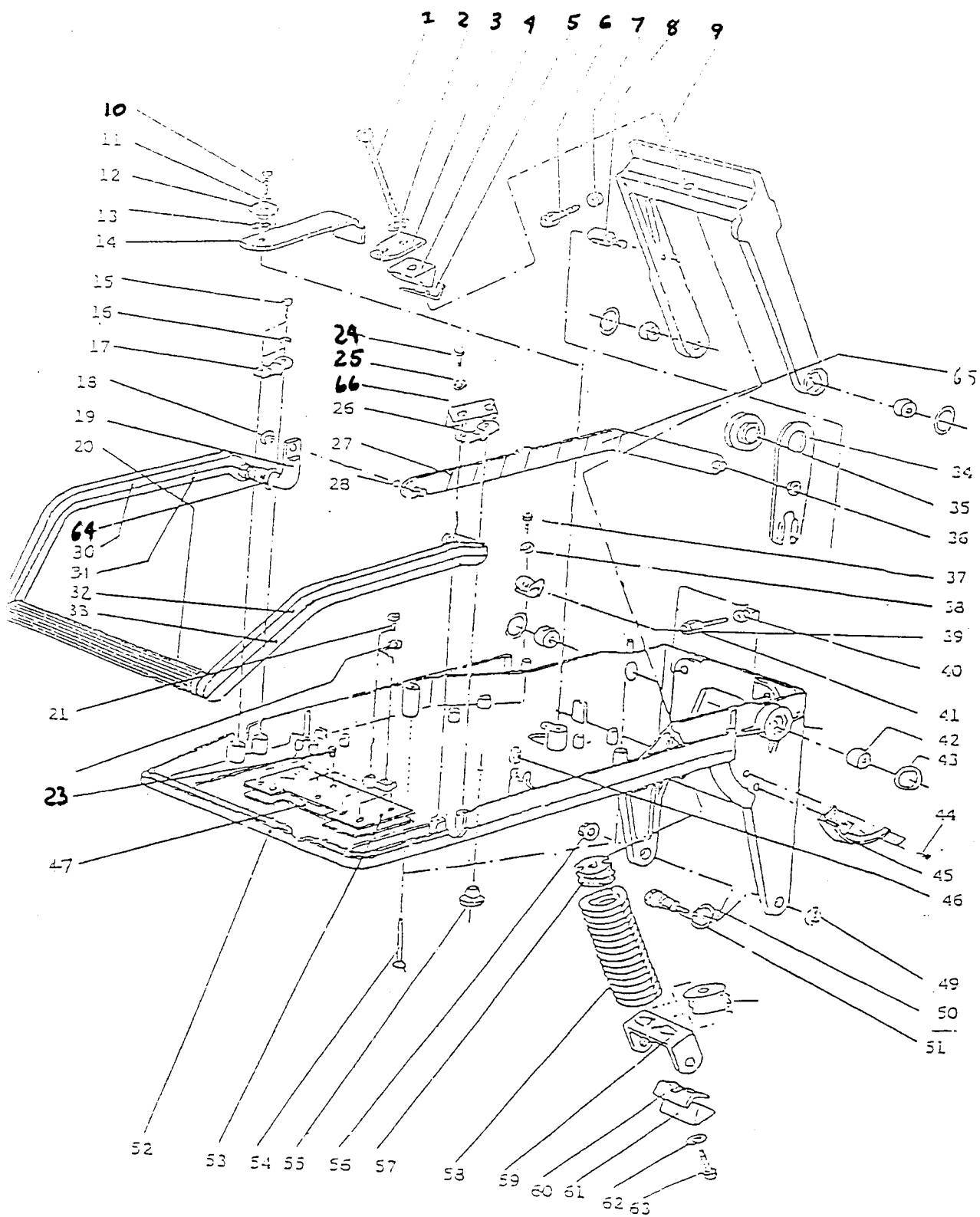


Fig. 4b

\* \* REFER TO FIGURE. 4b\* \* (120V)

ITEM	DESIGNATION	PART NO.	QTY.
1	SHAFT (LONG)	284116-000	1
2	WASHER	284203-000	2
3	FLANGE NUT (WITH SERRATIONS)	284152-000	2
4	EARTH WIRE ASSEMBLY (120)	284906-000	1
5	SCREW	284178-000	1
6,24	M3 RETAINING WASHER	284195-000	3
7	TRANSFORMER ASSY	284316-000	1
8, 26, 29	SCREW	284183-000	7
9, 27	WASHER	284197-000	6
10	SELF ADHESIVE BUFFER	284119-000	2
11	SELF ADHESIVE BUFFER	284117-000	1
13	TRANSFORMER LEAD WIRE (INPUT)	-----	-
14	SOCKET FRONT COVER (ADD COVER TRF)	284317-000	1
15	BUSHING SLEEVE	284318-000	1
16	RUBBER FEET	284319-000	2
17	CABLE PASS	284121-000	2
18	BASIC SHEET	284124-000	1
19	STRAIN BELIEF ASSEMBLY	284320-000	2
21	RATING LABEL (120V)	284321-000	1
22	CABLE SET (USA)	284332-000	1
23	SCREW	284177-000	4
25	SCREW	284179-000	2
28	CABLE CLAMPING COLLAR	284120-000	1
29	CABLE CLAMPING COLLAR	284120-010	3
30	M4 RETAINING WASHER	284196-000	1
31	M8 RETAINING WASHER	284202-000	2
32	SCREW	284188-000	2
33	REAR FOOT	284324-000	2
34	MICRO SWITCH SCREW	284325-000	2
35	MICRO SWITCH	284326-000	1
36	BED/ SOCKET	284327-000	1
37	SHAFT(SHORT)	284111-000	1
38	FRONT FOOT	284331-000	2

USE 284316 NOT AVAILABLE SEPARATE.



**FIG 5A**

\* \* REFER TO FIGURE. 5a\* \* (120V)

ITEM	DESIGNATION	PART NO.	QTY.
1	SCREW	284190-000	1
2, 62	M8 RETAINING WASHER	284200-000	2
3	SAFETY STOP PLATE	284333-000	1
4, 61	ANCHOR NUT	284099-000	2
5, 60	SUPPORT PRESSURE SHEET	284100-000	2
6, 41	SPECIAL SCREW	284095-000	3
7, 40	HEXAGONAL NUT	284101-000	3
8	SHAFT	284103-000	1
9	FORK LEVER	284104-000	1
10	SCREW	284334-000	1
11, 16, 25	M4 RETAINING WASHER	284196-000	5
12	COLLET	284335-000	1
13	WAVE WASHER	284204-000	2
14	LOCK PLATE	284336-000	1
15, 24, 37	SCREW	284183-000	7
17, 26	HANDLE CLAMPING PLATE	284105-000	2
18	M5 E-RING	284106-000	1
19	HANDLE	284337-000	1
20	HANDLE COVER	284338-000	2
21	SCREW	284178-000	1
22	M3 RETAINING WASHER	284195-000	1
23	SCREW	284339-000	8
27	PRESS CLOSING CONNECTING ROD	284107-000	1
28	PIVOT PIN (FRONT)	284108-000	1
30	HANDLE LEFT ARM COVER	284400-000	1
31	HANDLE LEFT ARM BOTTOM	284401-000	1
32	HANDLE RIGHT ARM COVER	284402-000	1
33	HANDLE RIGHT ARM BOTTOM	284403-000	1
34	CLOSING LEVER	284147-000	1
35	CLOSING LEVER BUSHING	284148-000	1
36	PIVOT PIN (REAR)	284109-000	1
38	WASHER	284197-000	3
39	CABLE CLAMPING COLLAR	284120-000	3
42	SINTERED BEARING	284143-000	4
43	SINTERED BEARING COVER PLATE	284144-000	4
44	SCREW	284178-000	2
45	INCLINATION SENSOR	284404-000	1
46	PVC TUBE	284405-000	1
47	STEAM INSULATOR	284406-000	1
49, 56	FLANGE NUT (WITH SERRATIONS)	284152-000	2
50	WASHER	284407-000	2
51	SHAFT (SHORT)	284111-000	2
52	PRESS ARM	284408-000	1
53	METAL FRAME	284409-000	1
54	SCREW	284410-000	2
55	RUBBER BUFFER	284114-000	1
57	SPRING INSERT	284145-000	2
58	TENSION SPRING	284112-000	1
59	ANCHOR BRACKET	284113-000	1
63	SCREW	284189-000	1
64	WASHER	284411-000	2
65	PROTECTIVE TAPE	284412-000	1
66	BRACKET	284413-000	1

\* \* REFER TO FIGURE. 5b\* \* (240V)

ITEM	DESIGNATION	PART NO.	QTY.
1	SCREW	284190-000	1
2, 62	M8 RETAINING WASHER	284200-000	2
3	SAFETY STOP PLATE	284333-000	1
4, 61	ANCHOR NUT	284099-000	2
5, 60	SUPPORT PRESSURE SHEET	284100-000	2
6, 41	SPECIAL SCREW	284095-000	3
7, 40	HEXAGONAL NUT	284101-000	3
8	SHAFT	284103-000	1
9	FORK LEVER	284104-000	1
10	SCREW	284334-000	1
11, 16, 25	M4 RETAINING WASHER	284196-000	5
12	COLLET	284335-000	1
13	WAVE WASHER	284204-000	2
14	LOCK PLATE	284336-000	1
15, 24, 37	SCREW	284183-000	7
17, 26	HANDLE CLAMPING PLATE	284105-000	2
18	M5 E-RING	284106-000	1
19	HANDLE	284337-000	1
20	HANDLE COVER	284338-000	2
21	SCREW	284178-000	1
22	M3 RETAINING WASHER	284195-000	1
23	SCREW	284339-000	8
27	PRESS CLOSING CONNECTING ROD	284107-000	1
28	PIVOT PIN (FRONT)	284108-000	1
30	HANDLE LEFT ARM COVER	284400-000	1
31	HANDLE LEFT ARM BOTTOM	284401-000	1
32	HANDLE RIGHT ARM COVER	282402-000	1
33	HANDLE RIGHT ARM BOTTOM	284403-000	1
34	CLOSING LEVER	284147-000	1
35	CLOSING LEVER BUSHING	284148-000	1
36	PIVOT PIN (REAR)	284109-000	1
38	WASHER	284197-000	3
39	CABLE CLAMPING COLLAR	284120-010	3
42	SINTERED BEARING	284143-000	4
43	SINTERED BEARING COVER PLATE	284144-000	4
44	SCREW	284178-000	2
45	INCLINATION SENSOR	284404-000	1
46	PVC TUBE	284405-000	1
47	STEAM INSULATOR	284406-000	1
49, 56	FLANGE NUT (WITH SERRATIONS)	284152-000	2
50	WASHER	284407-000	2
51	SHAFT (SHORT)	284111-000	2
52	PRESS ARM	284408-000	1
53	METAL FRAME	284409-000	1
54	SCREW	284410-000	2
55	RUBBER BUFFER	284114-000	1
57	SPRING INSERT	284145-000	2
58	TENSION SPRING	284112-000	1
59	ANCHOR BRACKET	284113-000	1
63	SCREW	284189-000	1
64	WASHER	284411-000	2
65	PROTECTIVE TAPE	284412-000	1
66	BRACKET	284413-000	1

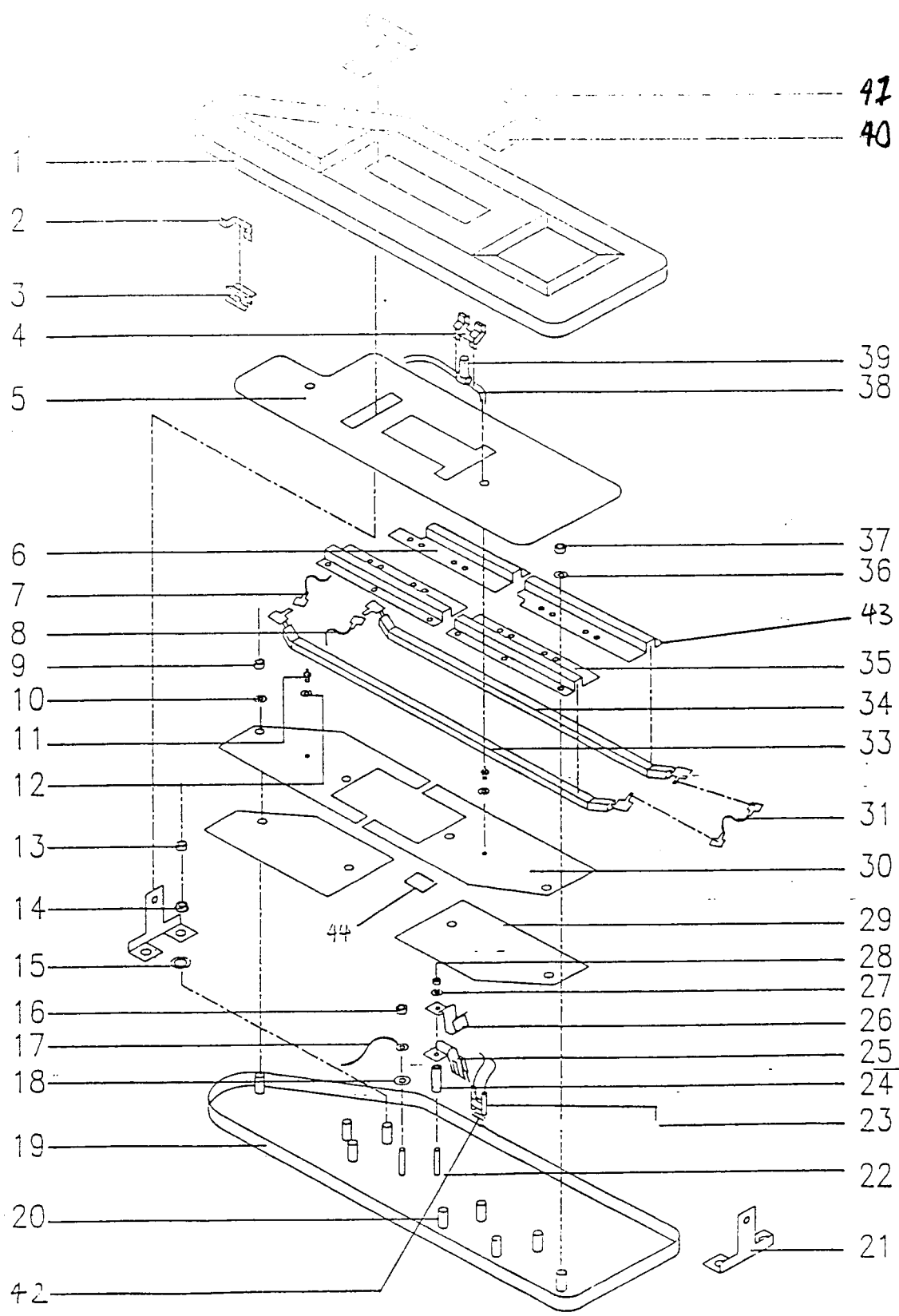


Fig 6a

\* \* REFER TO FIGURE. 6a\* \* (240V)

ITEM	DESIGNATION	PART NO.	QTY.
1	IRONING PLATE COVER (ADD IRON COVER)	284414-000	1
2	COVER CLAMPING PLATE	284127-000	4
3	PLATE ARM LOCK	284128-000	4
4	HOSE CLAMP	284415-000	1
5	REFLECTOR	284416-000	1
6	SHORT HEATER COVER	284417-000	1
7	MSP8 WIRE	284418-000	1
8	MSP8 WIRE	284419-000	1
9, 37	M6 NUT - HEAT PLATE	284131-000	23
10, 36	SPRING WASHER - HEAT PLATE	284420-000	23
11	WATER TUBE FITTING	284421-000	2
12	WASHER TUBE FITTING	284422-000	2
13	M6 NUT	284131-000	4
14	M6 FLANGE NUT (WITH SERRATIONS)	284154-000	4
15	WASHER	284130-000	4
16	M4 NUT	284136-000	1
17	EARTH ASSEMBLY (240V)	284423-000	1
18	M4 RETAINING WASHER	284196-000	1
19	SOLE PLATE WITH HOLES	284424-000	1
20	WELD STUD	284425-000	27
21	FIXING BRACKET	284132-000	2
22	M4 STUD SCREW	284426-000	2
23	SENSOR ASSEMBLY	284427-000	1
24	SPACER	284428-000	1
25	SENSOR LOCATOR	284429-000	1
26	BRACKET	284167-000	1
27	M4 RETAINING WASHER	284196-000	1
28	M4 NUT	284136-000	1
29	STEAM MANIFOLD PLATE	284430-000	2
30	HEAT PLATE (ADD STEAM PLATE)	284431-000	2
31	MSP8 WIRE	284432-000	1
33	HEATER (LONG) ASSY	284433-000	1
34	HEATER (SHORT) ASSY	284434-000	1
35	HEATER COVER II	284435-000	2
38	LOWER TUBE	284436-000	2
39	TEE FITTING	284437-000	1
40	SECURITY SPRING	284738-000	2
41	FIXING SHAFT	284126-000	2
42	SPACER	284439-000	1
43	HEATER COVER III	284440-000	1
44	MANIFOLD SPACER	284441-000	1



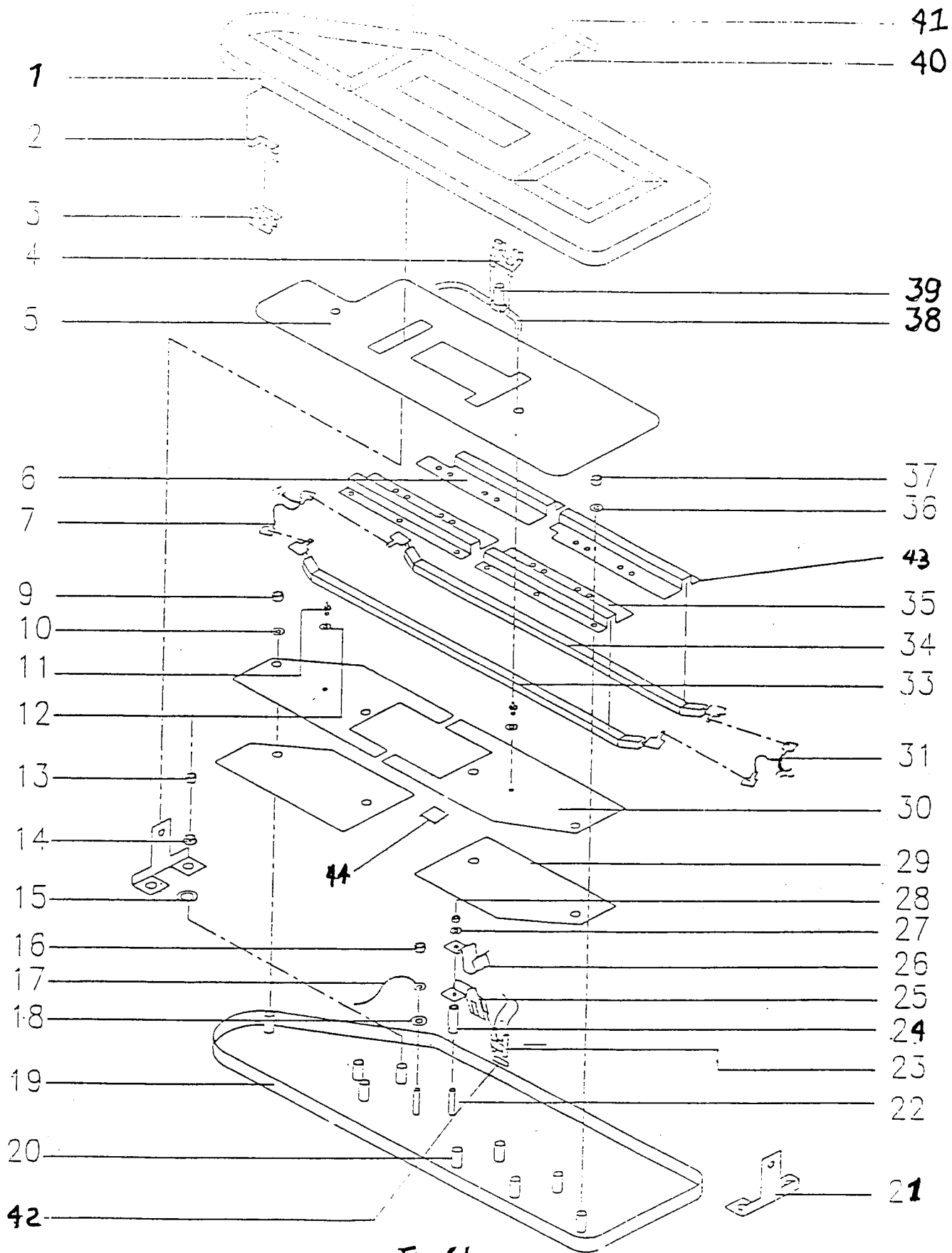


Fig 6b

\* \* REFER TO FIGURE. 6b\* \* (120V)

ITEM	DESIGNATION	PART NO.	QTY.
1	IRONING PLATE COVER	284414-000	1
2	COVER CLAMPING PLATE	284127-000	4
3	PLATE ARM LOCK	284128-000	4
4	HOSE CLAMP	284415-000	1
5	REFLECTOR	284416-000	1
6	SHORT HEATER COVER	284417-000	1
7	MSP8 WIRE	284442-000	1
9, 37	M6 NUT - HEAT PLATE	284131-000	23
10, 36	SPRING WASHER - HEAT PLATE	284420-000	23
11	WATER TUBE FITTING	284421-000	2
12	WASHER TUBE FITTING	284422-000	2
13	M6 NUT	284131-000	4
14	M6 FLANGE NUT (WITH SERRATIONS)	284154-000	4
15	WASHER	284130-000	4
16	M4 NUT	284136-000	1
17	EARTH ASSEMBLY (120V)	284443-000	1
18	M4 RETAINING WASHER	284196-000	1
19	SOLE PLATE WITH HOLES	284424-000	1
20	WELD STUD	284425-000	27
21	FIXING BRACKET	284132-000	2
22	M4 STUD SCREW	284426-000	2
23	SENSOR ASSEMBLY	284427-000	1
24	SPACER	284428-000	1
25	SENSOR LOCATOR	284429-000	1
26	BRACKET	284167-000	1
27	M4 RETAINING WASHER	284196-000	1
28	M4 NUT	284136-000	1
29	STEAM MANIFOLD PLATE	284430-000	2
30	HEAT PLATE (ADD STEAM PLATE)	284431-000	2
31	MSP8 WIRE	284444-000	1
33	HEATER (LONG) ASSY	284445-000	1
34	HEATER (SHORT) ASSY	284446-000	1
35	HEATER COVER II	284435-000	2
38	LOWER TUBE	284436-000	2
39	TEE FITTING	284437-000	1
40	SECURITY SPRING	284438-000	2
41	FIXING SHAFT	284126-000	2
42	SPACER	284439-000	1
43	HEATER COVER III	284440-000	1
44	MANIFOLD SPACER	284441-000	1

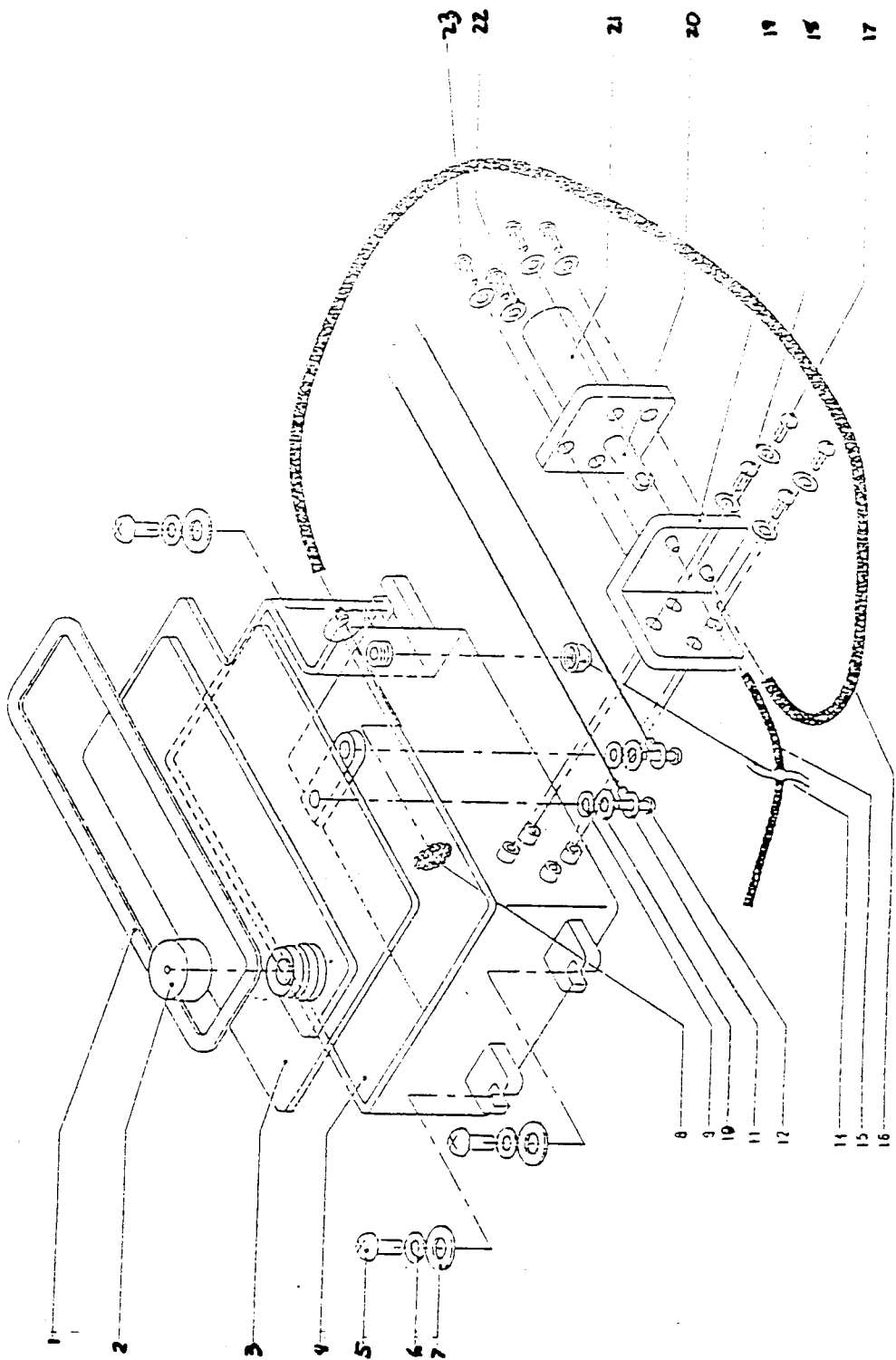


Fig 7

\* \* REFER TO FIGURE. 7 \* \*

ITEM	DESIGNATION	PART NO.	QTY.
1	WATER TANK RUBBER CUSHION	284447-000	<del>1</del>
2	TANK CAP. ASSEMBLY	284448-000	1
3	WATER TANK COVER (NEW TANK)	284449-000	1
4	WATER TANK BASE (NEW TANK BOTTOM)	284450-000	1
5	SCREW (TANK)	284184-000	3
6	M4 RETAINING WASHER (TANK)	284196-000	3
7	WASHER (TANK)	284451-000	3
8	PUMP FILTER	284168-000	1
9	WATER TANK WASHER	284452-000	2
10	WASHER	284453-000	2
11	MSP8 WIRE	284454-000	1
12	SCREW	284455-000	2
14	DRAIN SCREW	284456-000	1
15	UPPER TUBE II	284457-000	1
16	UPPER TUBE I	284458-000	1
17	PUMP SCREW	284459-000	4
18	PUMP WASHER	284460-000	7
19	FRONT VALVE HOUSING	284461-000	1
20	CHECK VALVE GASKET	284462-000	1
21	REAR VALVE HOUSING	284463-000	1
22	WASHER	284464-000	1
23	SCREW	284176-000	4

110 LUMEX PUMP  
USE 270 SEAL SAMPLE

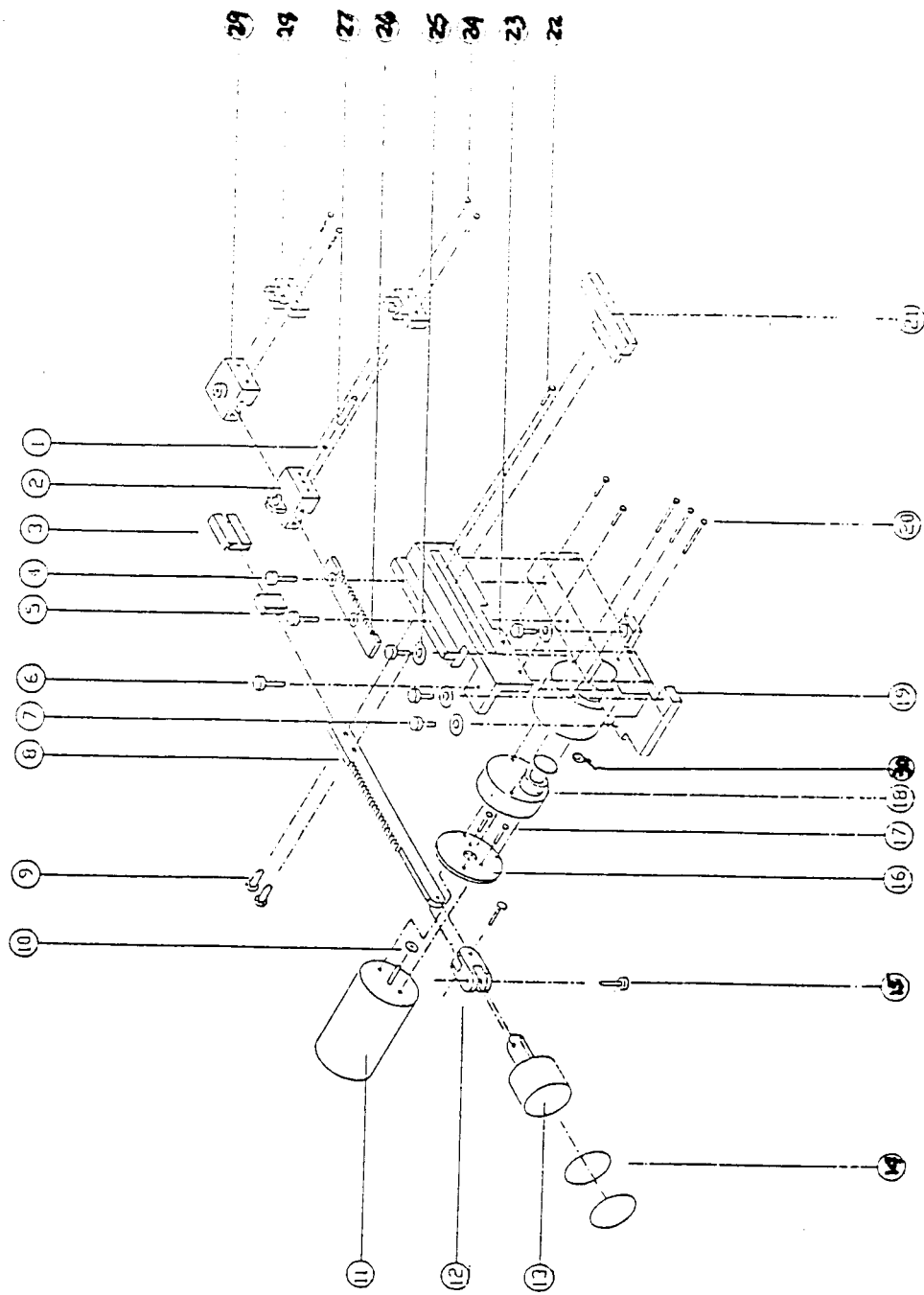


Fig. 8

\* \* REFER TO FIGURE. 8 \* \*

ITEM	DESIGNATION	PART NO.	QTY.
1	STEEL BALL	284465-000	1
2	SWITCH SLIDE	284466-000	1
3	"C" BUSHING	284467-000	1
4	SCREW	284468-000	2
5	RECTANGULAR BUSHING	284469-000	1
6	SCREW	284470-000	1
7	SCREW	284183-000	4
8	SLIDE GEAR	284471-000	1
9	SCREW	284472-000	2
10	10T SPUR GEAR	284473-000	1
11	D.C. MOTER	284474-000	1
12	ALIGNMENT JOINT	284475-000	1
13	PISTON FRAME	284476-000	1
14	O RING	284477-000	2
15	PISTON RIVET	284478-000	2
16	FIXING PLATE	284479-000	1
17	SCREW	284480-000	2
18	GEAR BOX ASSEMBLY	284481-000	1
19	SLIDE GEAR BASE	284482-000	1
20	SCREW	284483-000	3
21	MICRO SWITCH ACTUATOR	284484-000	1
22	SCREW	284485-000	3
23	UPPER SLIDE HOUSING	284486-000	1
24	SCREW	284487-000	4
25	WASHER	284197-000	4
26	SWITCH SLIDE GUIDE	284488-000	1
27	SPRING	284489-000	1
28	MICRO SWITCH	284490-000	2
29	SWITCH BASE	284491-000	1
30	WASHER	284492-000	1

## Free Manuals Download Website

<http://myh66.com>

<http://usermanuals.us>

<http://www.somanuals.com>

<http://www.4manuals.cc>

<http://www.manual-lib.com>

<http://www.404manual.com>

<http://www.luxmanual.com>

<http://aubethermostatmanual.com>

Golf course search by state

<http://golfingnear.com>

Email search by domain

<http://emailbydomain.com>

Auto manuals search

<http://auto.somanuals.com>

TV manuals search

<http://tv.somanuals.com>