

# Video Camera Recorder 8

CCD-FX240/FX340/FX640

---

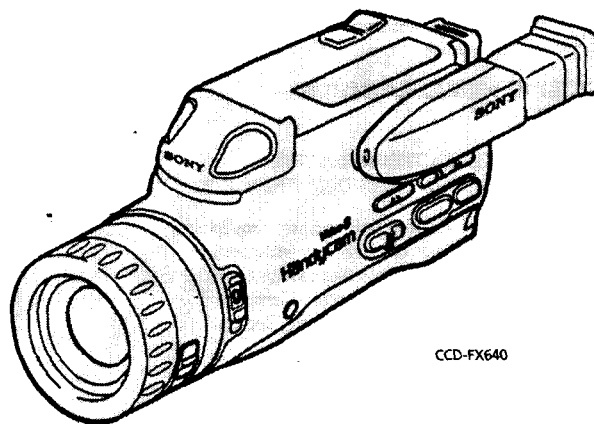
## Operation Manual

Before operating the unit, please read this manual thoroughly and retain it for future reference.

## Owner's Record

The model and serial numbers are located on the bottom. Record the serial number in the space provided below. Refer to these numbers whenever you call upon your Sony dealer regarding this product.

Model No. CCD-FX \_\_\_\_\_ Model No. AC-V \_\_\_\_\_  
Serial No. \_\_\_\_\_ Serial No. \_\_\_\_\_



**Video8 Handycam**

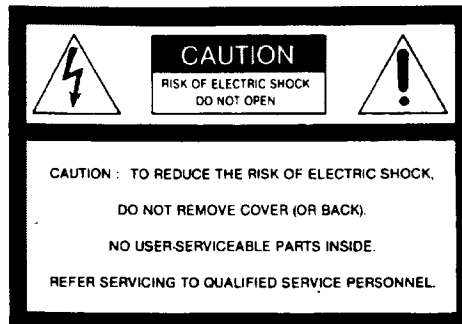
©1995 by Sony Corporation

## Welcome to Video 8

Congratulations on your purchase of this Sony Handycam® camcorder. With your Handycam you can capture life's precious moments with superior picture and sound quality. Your Handycam is loaded with advanced features, but at the same time it is very easy to use. You will soon be producing home video that you can enjoy for years to come.

### WARNING

**To prevent fire or shock hazard, do not expose the unit to rain or moisture.**



This symbol is intended to alert the user to the presence of uninsulated "dangerous voltage" within the product's enclosure that may be of sufficient magnitude to constitute a risk of electric shock to persons.



This symbol is intended to alert the user to the presence of important operating and maintenance (servicing) instructions in the literature accompanying the appliance.

### RECYCLING NICKEL-CADMIUM BATTERIES



**NICKEL-CADMIUM BATTERY. MUST BE DISPOSED OF PROPERLY.**

**Ni-Cd**

Nickel-Cadmium batteries are recyclable. You can help preserve our environment by returning your unwanted batteries to your nearest Sony Service Center or Factory Service Center for collection, recycling or proper disposal.

**Note:** In some areas the disposal of nickel-cadmium batteries in household or business trash may be prohibited.

For the Sony Service Center nearest you call 1-800-222-SONY (United States only)

For the Factory Service Center nearest you call 416-499-SONY (Canada only)

**Caution: Do not handle damaged or leaking nickel-cadmium batteries.**

**2**

### For Customers in the U.S.A.

#### Note:

This equipment has been tested and found to comply with the limits for a Class B digital device, pursuant to Part 15 of the FCC Rules. These limits are designed to provide reasonable protection against harmful interference in a residential installation. This equipment generates, uses, and can radiate radio frequency energy and, if not installed and used in accordance with the instructions, may cause harmful interference to radio communications. However, there is no guarantee that interference will not occur in a particular installation. If this equipment does cause harmful interference to radio or television reception, which can be determined by turning the equipment off and on, the user is encouraged to try to correct the interference by one or more of the following measures:

- Reorient or relocate the receiving antenna.
- Increase the separation between the equipment and receiver.
- Connect the equipment into an outlet on a circuit different from that to which the receiver is connected.
- Consult the dealer or an experienced radio/TV technician for help.

#### CAUTION

You are cautioned that any changes or modifications not expressly approved in this manual could void your authority to operate this equipment.

# Table of Contents

## Before You Begin

- Checking Your Model Number 4
- Checking Supplied Accessories 5

## Getting Started

- Charging and Installing the Battery Pack 6
- Inserting a Cassette 9
- Adjusting the Viewfinder Lens 10

## Basic Operations

- Camera Recording 11
  - Using the Zoom Feature 13
- Hints for Better Shooting 14
- Checking the Recorded Picture 15
- Connections for Playback 16
- Playing Back a Tape 17

## Advanced Operations

- Using Alternative Power Sources 19
  - Using House Current 19
- Recording with the Date or Time 21
- Recording with the Age 22
- Shooting with Backlighting 25
- Using the PROGRAM AE Function 26
- Fade-in and Fade-out 27
- Releasing the STEADY SHOT Function 28
- Focusing Manually 29
- Changing the Mode Settings 31
- Editing onto Another Tape 33

## Additional Information

- Changing the Lithium Battery 34
- Resetting the Date and Time 35
- Playback Modes 36
- Tips for Using the Battery Pack 36
- Maintenance Information and Precautions 38
- Using Your Camcorder Abroad 42
- Trouble Check 43
- Specifications 46
- Identifying the Parts 48
  - Operation Indicators 51
  - Remote Commander 52
- Indicators in the Viewfinder 54
- Index 55

# Checking Your Model Number

The instructions in this manual are for the three models listed below. Before you start reading this manual and operating the unit, check your model number by looking at the bottom of your camcorder. The CCD-FX240 is the model used for illustration purposes. Otherwise, the model name is indicated in the illustrations. Any differences in operation are clearly indicated in the text, for example, "CCD-FX340 only." As you read through this manual, buttons and settings on the camcorder are shown in capital letters. e.g. "Set the POWER switch to CAMERA."

## Types of differences

Model number	Viewfinder		Audio		Steady Shot	Digital Zoom (24x)	Beep	Manual Focus
	Monochrome	Color	Monaural	Stereo				
CCD-FX240	•		•					
CCD-FX340		•	•					
CCD-FX640		•		•	•	•	•	•

## Note on TV Color Systems

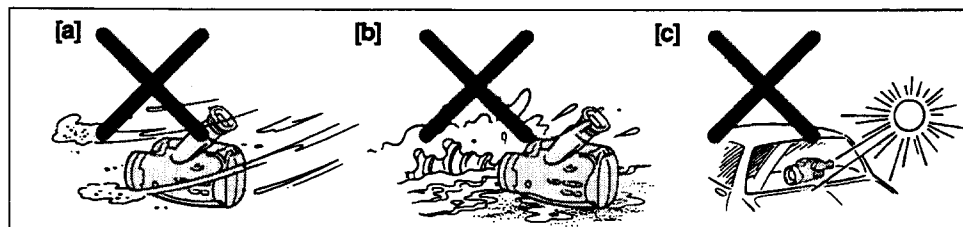
TV color systems differ from country to country. To view your recordings on a TV, you need an NTSC system-based TV. When you want to use a PAL-M system-based TV, you will need an NTSC/PAL-M transcoder (as this is an NTSC system based camcorder). Please check the list on page 42 to find out the TV color system used in your country.

## Precaution on Copyright

Television programs, films, video tapes, and other materials may be copyrighted. Unauthorized recording of such materials may be contrary to the provision of the copyright laws.

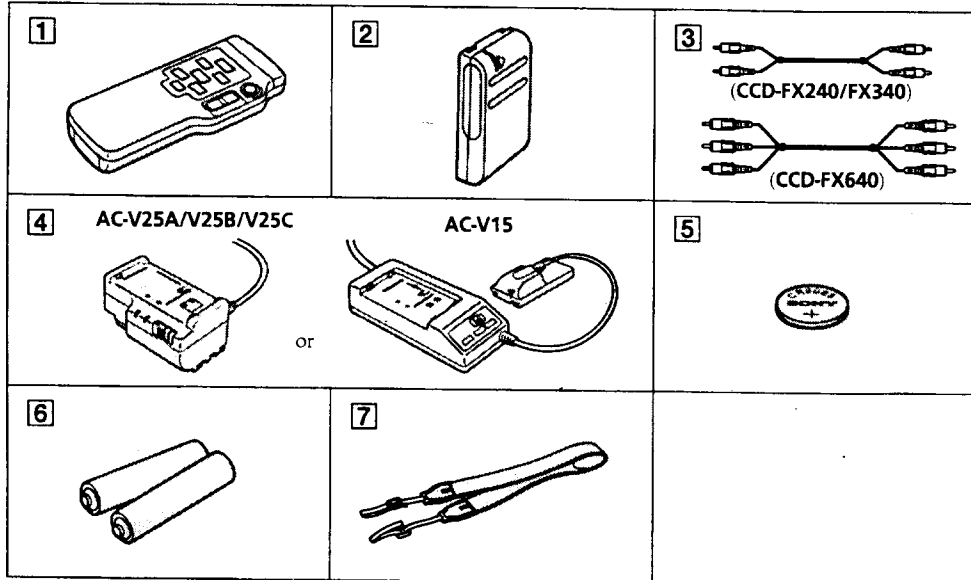
## Precautions on Camcorder Care

- Do not let sand get into the camcorder. When you use the camcorder on a sandy beach or dusty place, protect it from the sand or dust. Sand or dust may cause the unit to malfunction and sometimes the malfunction cannot be repaired [a].
- Do not let the camcorder get wet. Keep the camcorder away from rain and sea water. Letting the camcorder get wet may cause the unit to malfunction and sometimes the malfunction cannot be repaired [b].
- Never leave the camcorder exposed to temperatures above 140°F (60°C), such as in a car parked in the sun or under direct sunlight [c].



# Checking Supplied Accessories

Check that the following accessories are supplied with your camcorder.

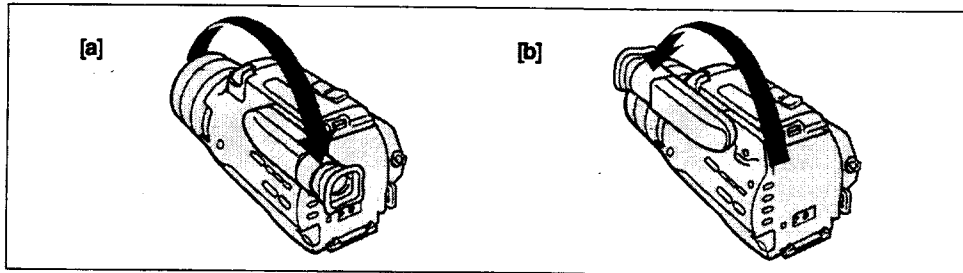


Before You Begin

- 1** Wireless Remote Commander (1) (p. 52)
- 2** NP-33 Battery pack (CCD-FX240/FX340) (1) (p. 6)  
NP-55 Battery pack (CCD-FX640 only) (1) (p. 6)
- 3** A/V connecting cable (monoral) (CCD-FX240/FX340) (1) (p. 16)  
A/V connecting cable (stereo) (CCD-FX640 only) (p. 16)
- 4** AC-V25A/V25B/V25C/V15 AC power adaptor (1) (p. 6, 19, 20)
- 5** CR2025 Lithium Battery (1) (p. 34)  
(The lithium battery is already installed in your camcorder.)
- 6** Size AA (R6) battery for Remote Commander (2) (p. 52)
- 7** Shoulder strap (1) (p. 50)

## After Taking the Camcorder out of the Box

Turn the viewfinder barrel in the direction of the arrow [a]. When storing your camcorder, turn the viewfinder barrel in the direction of the arrow [b].



5

# Charging and Installing the Battery Pack

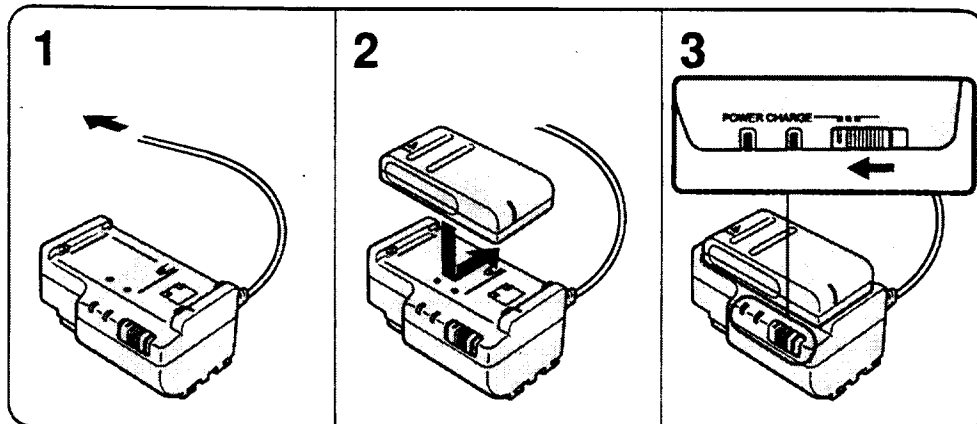
Before using your camcorder, you first need to charge and install the battery pack. To charge the battery pack, use the supplied AC-V25A/V25B/V25C/V15 AC power adaptor.

## Charging the Battery Pack

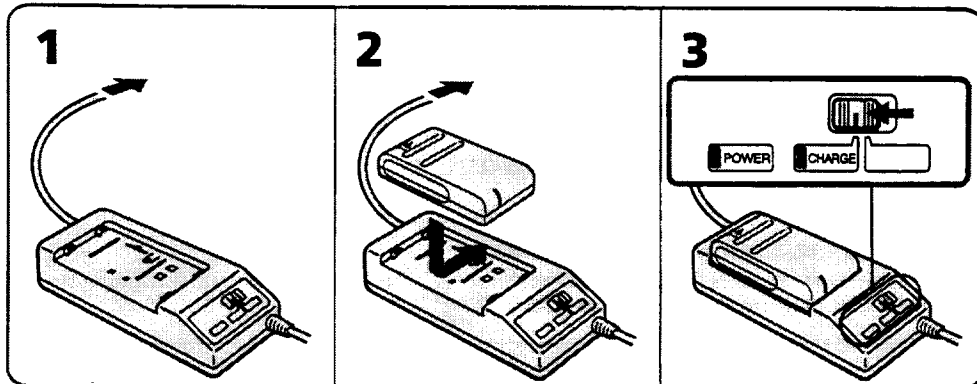
Charge the battery pack on a flat surface without vibration.

- (1) Connect the power cord to a wall outlet.
- (2) Align the right side of the battery pack with the line on the AC power adaptor, then slide the battery pack in the direction of the arrow.
- (3) Set the selector to CHARGE. The CHARGE lamp (orange) lights up. Charging begins. When charging is completed, the CHARGE lamp goes out.

### AC-V25A/V25B/V25C



### AC-V15



## Charging Time

Battery pack	NP-33 (supplied)	NP-55 (supplied)	NP-60D	NP-C65	NP-68	NP-77H	NP-80 NP-80D
Charging time*	60	70	90	105	125	170	190

\* Approximate minutes to charge an empty battery pack using the AC-V25A/V25B/V25C/V15 (Lower temperatures require a longer charging time.)

6

## Battery Life

### CCD-FX240

Battery pack	NP-33 (supplied)	NP-60D	NP-C65	NP-68	NP-77H	NP-80 NP-80D
Typical recording time**	25	45	50	60	85	90
Continuous recording time***	50	85	95	120	165	170

### CCD-FX340

Battery pack	NP-33 (supplied)	NP-60D	NP-C65	NP-68	NP-77H	NP-80 NP-80D
Typical recording time**	25	40	45	60	80	85
Continuous recording time***	50	80	90	115	155	165

### CCD-FX640

Battery pack	NP-55 (supplied)	NP-60D	NP-C65	NP-68	NP-77H	NP-80 NP-80D
Typical recording time**	25	35	40	55	70	75
Continuous recording time***	55	70	80	105	140	145

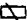
\*\* Approximate minutes when recording while you repeat recording start/stop or zooming and turning the power on/off. The actual battery life may be shorter.

\*\*\* Approximate continuous recording time indoors.

### Important!

#### Use the battery completely before re-charging!

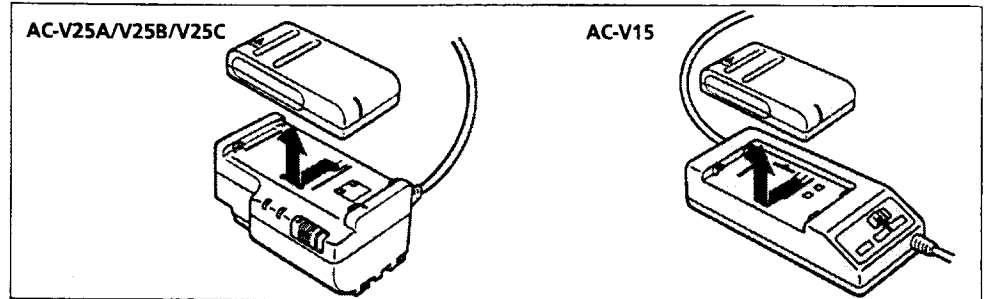
Before you recharge the battery pack, make sure the battery has been used up (discharged) completely. Repeated charging while some capacity remains causes a lowering of battery capacity. However, the original battery capacity can be recovered if you use the battery completely and charge it fully again.

To use up the battery, remove the cassette and slide the POWER switch to CAMERA with the battery pack attached, and leave the camcorder until the  indicator flashes and the red lamp flashes rapidly in the viewfinder.

## Charging and Installing the Battery Pack

### Removing the Battery Pack

Slide the battery pack in the direction of the arrow (see drawing).

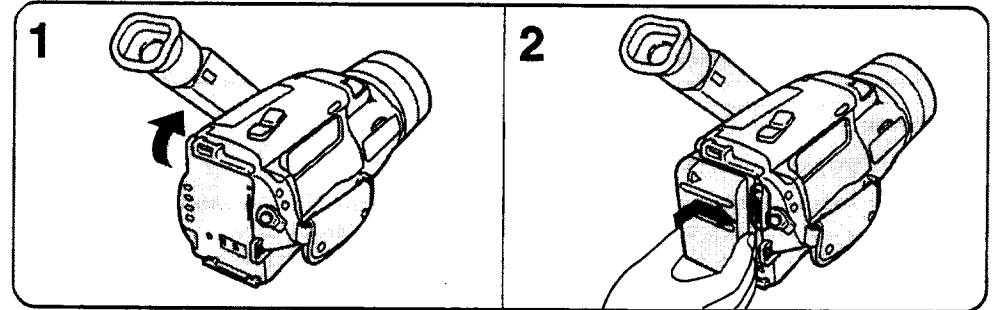


### Note on charging the battery pack

- The POWER lamp will remain lit for a while even if the battery pack is removed and the power cord is unplugged after charging the battery pack. This is normal.
- If the POWER lamp does not light, set the selector to the center (AC-V25A/V25B/V25C)/VTR/(AC-V15) position and disconnect the power cord. After about one minute, reconnect the power cord and set the selector to CHARGE again.
- You cannot operate the camcorder using the AC power adaptor while charging the battery pack.

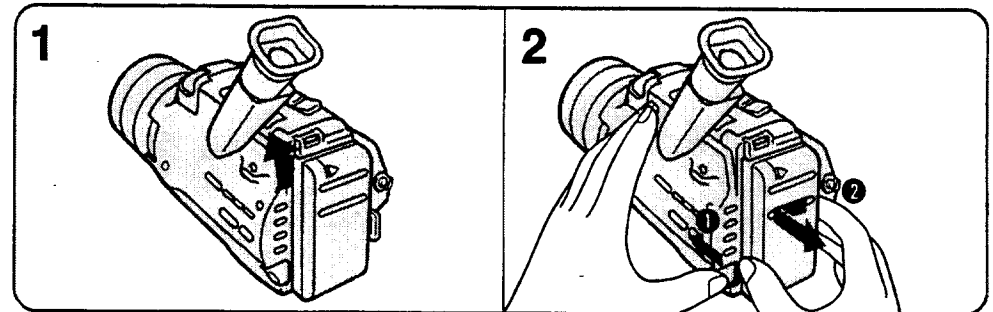
### Installing the Battery Pack

- (1) Lift up the viewfinder.
- (2) Align the right side of the battery pack with the white line on the camcorder, and slide the battery pack to the right.



### Removing the Battery Pack

- (1) Lift up the viewfinder.
- (2) While pressing BATT, slide the battery pack to the left.

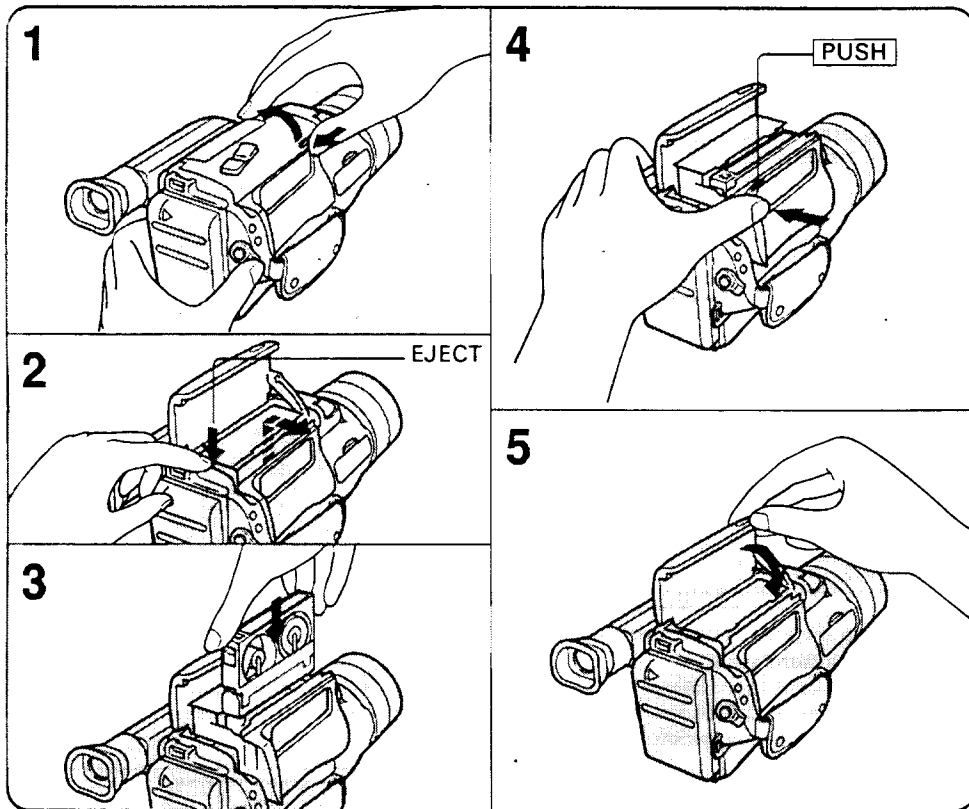




# Inserting a Cassette

Make sure that the power source is installed.

- (1) While sliding the lid lock in the direction of the arrow, lift up the lid.
- (2) Press EJECT. The cassette compartment automatically lifts up and opens.
- (3) Insert a cassette with the window facing out.
- (4) Close the cassette compartment by pressing the "PUSH" mark on the cassette compartment.
- (5) Close the lid.



Getting Started

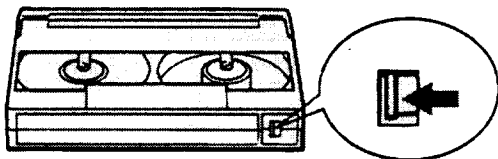
## To Eject the Cassette

While sliding the lid lock in the direction of the arrow, lift up the lid of the cassette holder and press EJECT.

## Preventing Accidental Erasure

To prevent accidental erasure, slide the tab on the cassette to expose the red mark. If you try to record with the red mark exposed, the and indicators flash in the viewfinder, and you cannot record.

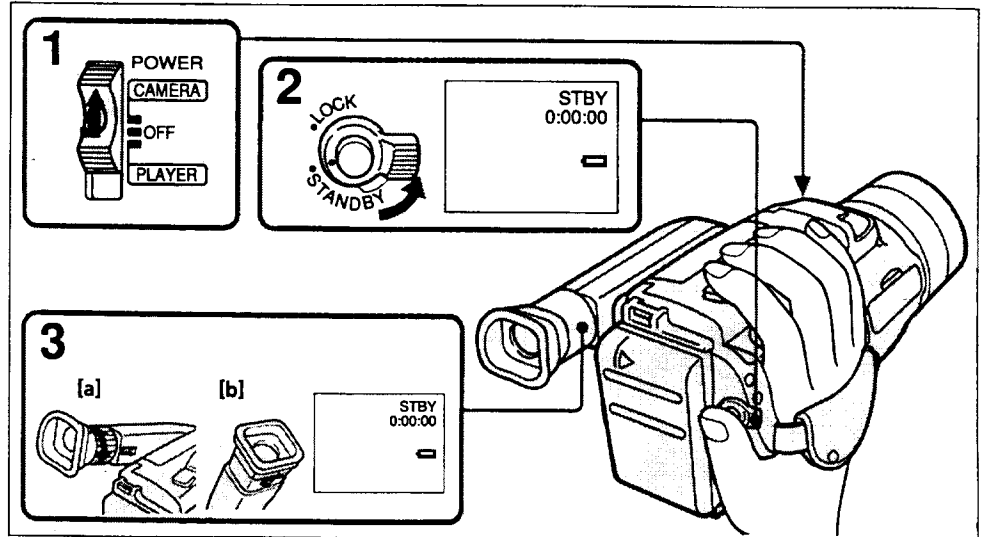
To re-record on this tape, slide the tab back out covering the red mark.



# Adjusting the Viewfinder Lens

Before you use the camcorder for the first time or after someone else has used it, focus the viewfinder lens. Make sure that the power source is attached to the camcorder.

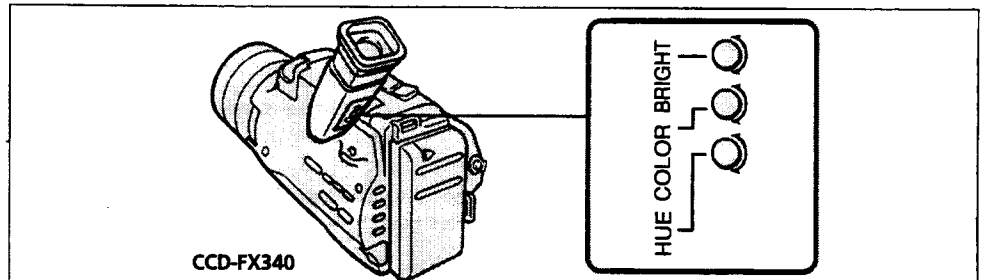
- (1) While pressing the small green button on the POWER switch, slide it to CAMERA. The lens cover opens.
- (2) Turn STANDBY up. You can hear the BEEP sound to confirm your operation (CCD-FX640 only).
- (3) Focus on the indicators: [a] When using a monochrome viewfinder, turn the viewfinder lens adjustment ring so that the indicators in the viewfinder come into sharp focus. [b] When using a color viewfinder, move the viewfinder lens adjustment lever so that the indicators in the viewfinder come into sharp focus.



## When Using a Color Viewfinder — For CCD-FX340/FX640

### To adjust the picture quality

If you want to change hue, color and brightness of the picture displayed on the viewfinder screen, turn the screws on the viewfinder slowly using a screwdriver (not supplied). You do not need to adjust them in everyday operation.



	Turn clockwise	Turn counterclockwise
BRIGHT	More brightness	Less brightness
COLOR	More color intensity	Less color intensity
HUE	Greenish skin tones	Reddish skin tones

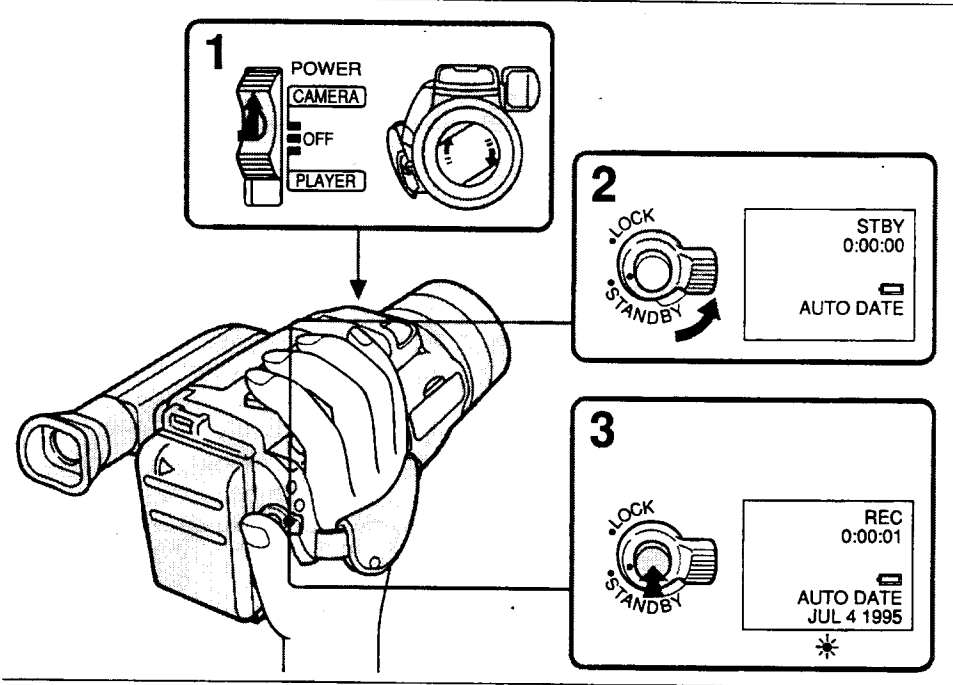
# Camera Recording

Make sure that the power source is installed and a cassette is inserted. When you use the camcorder or the first time, reset the date and time to your time (p. 35) before you start recording. The date is automatically recorded for 10 seconds after you start recording (AUTO DATE feature). This feature works only once a day.

You can hear the BEEP sound to confirm your operation (CCD-FX640 only).

Before you record one-time events, you may want to make a trial recording to make sure that the camcorder is working correctly.

- 1) While pressing the small green button on the POWER switch, slide it to CAMERA.
- 2) Turn STANDBY up.
- 3) Press START/STOP. The camcorder starts recording. The "REC" indicator appears and the red lamp lights up in the viewfinder. The camera recording/battery lamp on the viewfinder barrel also lights up.



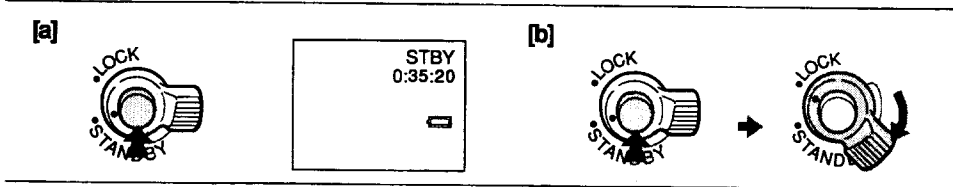
Getting Started / Basic Operations

### o Stop Recording Momentarily [a]

Press START/STOP again. The "STBY" indicator appears in the viewfinder (Standby mode).

### o Finish Recording [b]

Press START/STOP again. Turn STANDBY down and slide the POWER switch to OFF. The lens cover closes. Then, eject the cassette (p. 9) and remove the battery (p. 8).



(See next page for further information) **11**

### **Note on Standby mode**

If you leave the camcorder in Standby mode for 5 minutes while the cassette is inserted, the camcorder turns off automatically. This prevents wearing down the battery and wearing out the tape. To resume Standby mode, turn STANDBY down once and turn it up again. To start recording, press START/STOP.

### **Note on recording**

When you record from the beginning of a tape, run the tape for about 15 seconds before starting the actual recording. This will ensure that you won't miss any start-up scenes when you play back the tape.

You can record tapes in SP (standard play) mode only.

### **Note on the tape counter**

The tape counter indicates the recording or playback time. Use it as a guide. There will be a time lag of several seconds from the actual time. To set the counter to zero, press COUNTER RESET.

### **Note on beep sound (CCD-FX640 only)**

A beep sounds when you turn the power on or when you start recording and two beeps sound when you stop recording, confirming the operation. Several beeps also sound as a warning of any unusual condition of the camcorder (p. 54).

Note that the beep sound is not recorded on the tape. If you do not want to hear the beep sound, select "OFF" in the menu system.

### **Note on the AUTO DATE feature**

The clock is set to the East Coast Standard Time at the factory, but you can reset the clock in the menu system (p. 35). You can change the AUTO DATE settings by selecting ON or OFF in the menu system.

The AUTO DATE feature works once a day. However, the date may automatically appear more than once a day when:

- you reset the date and time.
- you eject and insert the tape again.
- you stop recording within 10 seconds.
- you set AUTO DATE to OFF once and set to ON again in the menu system.

### **When moving from indoors to outdoors (or vice versa)**

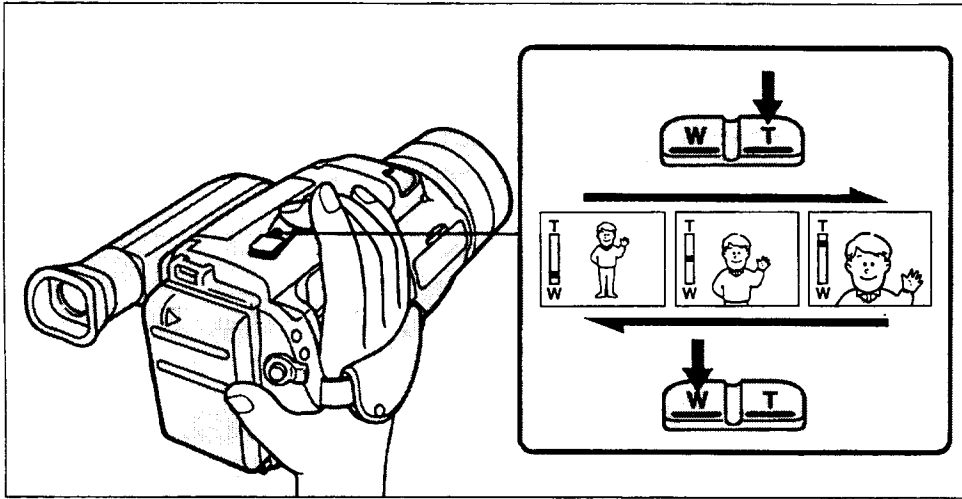
Turn STANDBY up and point the camcorder at a white object for about 15 seconds so that the white balance is properly adjusted.

## Using the Zoom Feature

Zooming is a recording technique that lets you change the size of the subject in the scene. For more professional-looking recordings, use the zoom function sparingly.

"T" side: for telephoto (subject appears closer)

"W" side: for wide-angle (subject appears farther away)



Basic Operations

### Zooming Speed (Dual speed zooming)

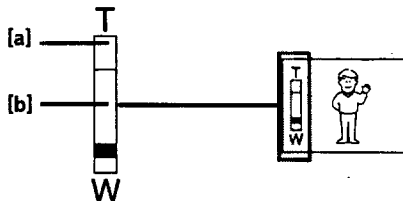
Press the power zoom button firmly for a high-speed zoom, press it softly for a relatively slow zoom.

### When you shoot a subject using a telephoto zoom

If you cannot get a sharp focus while in extreme telephoto zoom, press the "W" side of the power zoom button until the focus is sharp. You can shoot a subject that is at least about 3 1/4 feet (100 cm) away from the lens surface in the telephoto position, or about 1/2 inches (1 cm) in the wide-angle position.

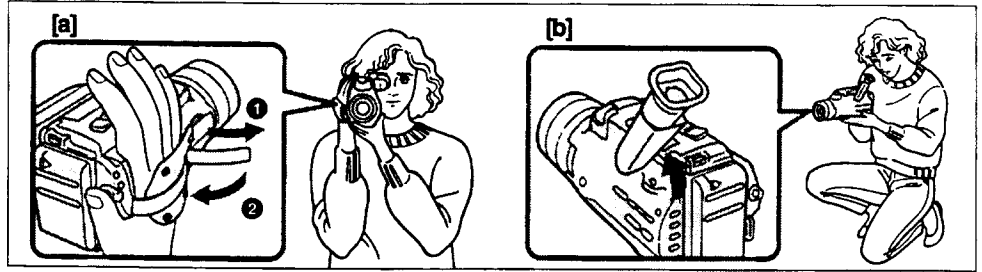
### Notes on Digital Zoom (CCD-FX640 only)

- More than 12x zoom is performed digitally, and the picture quality deteriorates as you go toward the T side. If you do not want to use the digital zoom, set the D ZOOM function to OFF in the menu system (p. 32).
- The horizontal bar in the power zoom indicator separates the digital zooming zone (above the bar [a]) and the optical zooming zone (under the bar [b]). If you set the D ZOOM function to OFF, the part above the bar disappears.



## Hints for Better Shooting

For hand-held shots, you'll get better results by holding the camcorder according to the following suggestions:



- Hold the camcorder firmly and secure it with the grip strap so that you can easily manipulate the controls with your thumb [a].
- Place your right elbow against your side.
- Place your left hand under the camcorder to support it.
- Place your eye firmly against the viewfinder eyecup.
- Use the viewfinder frame as a guide to determine the horizontal plane.
- You can also record in a low position to get an interesting recording angle. Lift the viewfinder up for recording from a low position. (You can turn it to 180 degrees.) [b]

### Place the camcorder on a flat surface or use a tripod

Try placing the camcorder on a table top or any other flat surface of suitable height. If you have a tripod for a still camera, you can also use it with the camcorder (p. 49). When attaching a non-Sony tripod, make sure that the length of the tripod screw is less than 9/32 in (6.5 mm). Otherwise, the screw may damage the inner parts of the camcorder.

### Using the Viewfinder as a Sports Finder — CCD-FX240 only

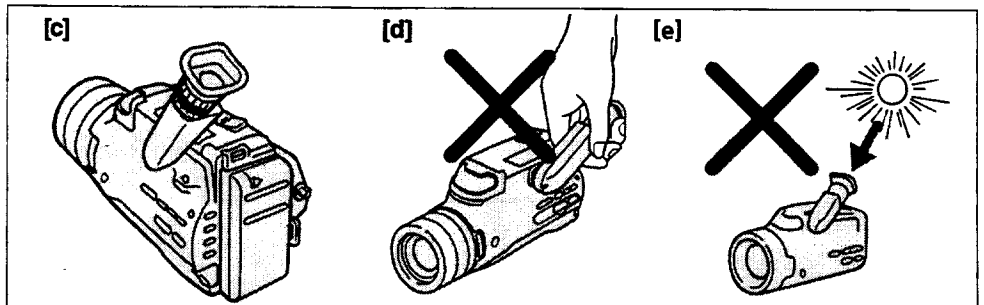
With the Sports Finder, you can monitor the picture while your eyes are at a distance from the eyecup. You can shoot scenes while moving around.

When using the viewfinder as a Sports Finder, turn the viewfinder lens adjustment ring clockwise until it stops [c].

When returning to the normal viewfinder position, turn the viewfinder lens adjustment ring counterclockwise until the indicators in the viewfinder come into sharp focus.

### Cautions on the viewfinder

- Do not pick up the camcorder by the viewfinder [d].
- Do not place the camcorder so as to point the viewfinder toward the sun. The inside of the viewfinder may be deformed. Be careful when placing the camcorder under sunlight or by the window [e].



# Checking the Recorded Picture

Using EDITSEARCH, you can review the last recorded scene or check the recorded picture in the viewfinder.

(1) While pressing the small green button on the POWER switch, slide it to CAMERA.

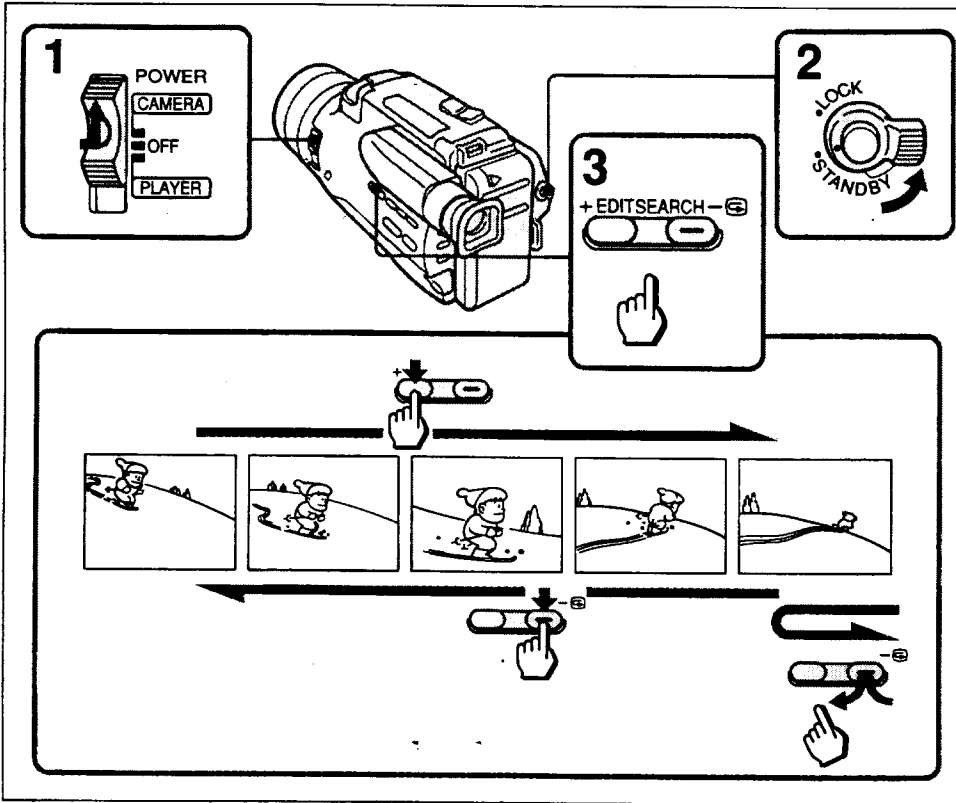
(2) Turn STANDBY up.

You can hear the BEEP sound to confirm your operation (CCD-FX640 only).

(3) Press the - (⊖) side of EDITSEARCH momentarily; the last few seconds of the recorded portion plays back (Rec Review).

You can also monitor the sound by using an earphone/headphones (not supplied).

Hold down the - side of EDITSEARCH until the camcorder goes back to the scene you want. The last recorded portion is played back. To go forward, hold down the + side (Edit Search).



Basic Operations

## To Stop Playback

Release EDITSEARCH.

## To Begin Re-recording

Press START/STOP. Re-recording begins from the point you released EDITSEARCH. Provided you do not eject the tape, the transition between the last scene you recorded and the next scene you record will be smooth.

## Monitoring the Sound while Viewing the Playback Picture in the Viewfinder

Connect an earphone/headphones (not supplied) to the Ⓜ / Ⓡ jack.

Play back the tape in PLAYER mode (p. 17).

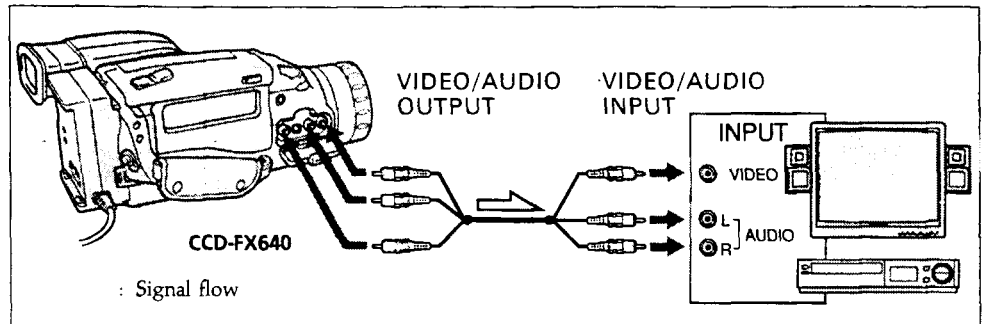
# Connections for Playback

You can use the camcorder as a VCR by connecting it to your TV for playback. Connect your camcorder as shown below. It is recommended to use the house current as the power source (p. 19).

## Connecting to a TV or VCR with Video/Audio Input Jack

### For the Stereo Model (CCD-FX640 only)

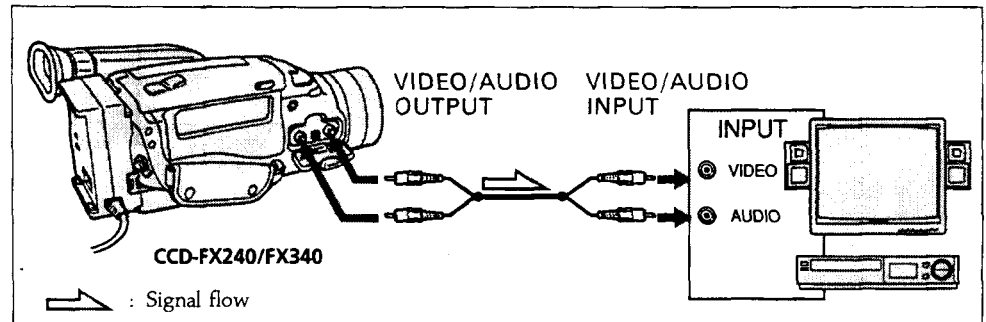
Connect the camcorder to your TV or VCR by using the supplied A/V connecting cable. Set the TV/VCR selector on the TV to VCR. When connecting the camcorder to VCR set the input selector on the VCR to LINE.



If your TV or VCR is monaural type, connect only the white plug for audio on both the camcorder and the TV or the VCR. With this connection, the sound is monaural.

### For Monaural Models (CCD-FX240/FX340)

Connect the camcorder to your TV by using the supplied A/V connecting cable. Set the TV/VCR selector on the TV to VCR. When connecting the camcorder to VCR, set the input selector on the VCR to LINE.



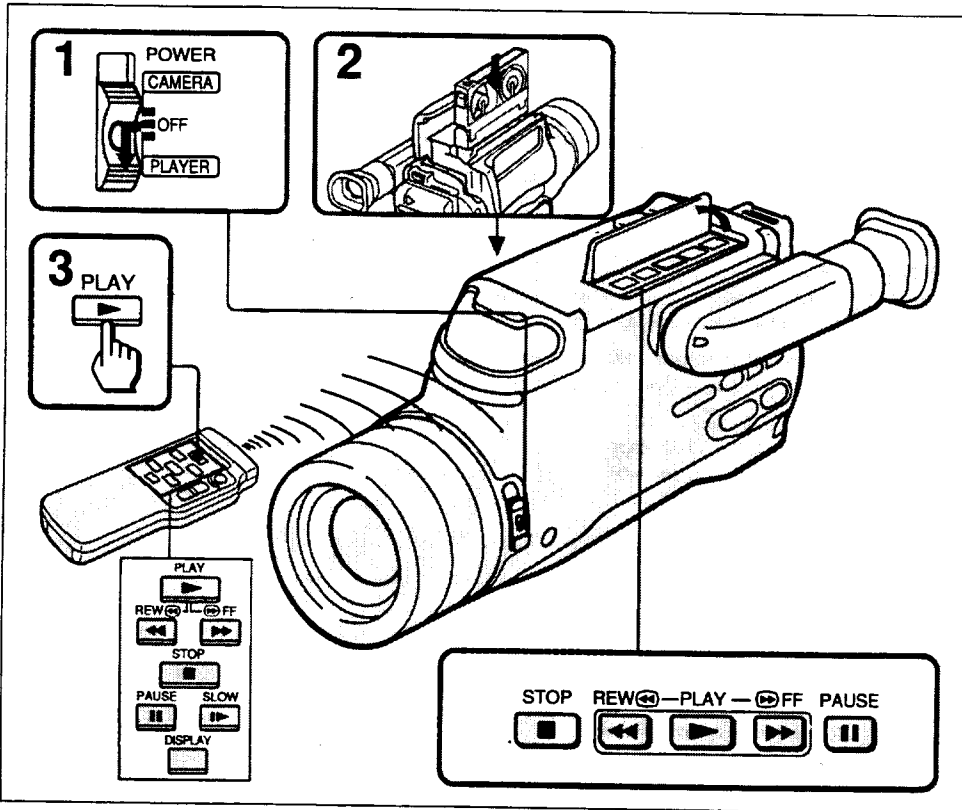
**To connect a TV or a VCR without audio/video input jacks**  
Use the RFU-95UC RFU adaptor (not supplied).



# Playing Back a Tape

You can monitor the playback picture in the viewfinder. You can also monitor the picture on a TV screen, after connecting the camcorder to a TV or VCR (p. 16). You can use the supplied Remote Commander to control playback.

- (1) While pressing the small green button on the POWER switch, slide it to PLAYER.  
You can hear the BEEP sound to confirm your operation (CCD-FX640 only).
- (2) Insert the recorded tape with the window facing out.
- (3) Press ►. Playback starts.



Basic Operations

- To stop playback, press ■.
- To rewind the tape, press ◀◀.
- To advance the tape rapidly, press ▶▶.

### Various Playback Modes

#### To view a still picture (Playback pause)

Press **||** during playback. To resume playback, press **||** or **▶**.

#### To locate a scene (Picture search)

Keep pressing **◀◀** or **▶▶** during playback. To resume normal playback, release the button.

#### To monitor the high-speed picture while advancing the tape or rewinding (Skip scan)

Keep pressing **◀◀** while rewinding or **▶▶** while advancing the tape. To resume normal playback, press **▶**.

#### To view the picture in a sequence of stop-motion images

Press **EDITSEARCH** in playback pause mode. If you keep pressing **EDITSEARCH**, you can view the picture play back in the forward (+) or reverse (-) direction.

#### To view the picture at 1/5 speed (Slow Playback) (only with the Remote Commander)

Press **▶** on the Remote Commander during playback. To resume normal playback, press **▶**. If slow playback lasts for about 1 minute, it shifts to normal speed automatically.

#### Note on playback

- Streaks appear and the sound is muted in the various playback modes.
- When Playback pause mode lasts for 5 minutes, the camcorder automatically enters stop mode.

#### To display the viewfinder screen indicators on the TV

Press **DISPLAY** on the Remote Commander. To erase the indicators, press **DISPLAY** again.

#### To select the playback sound

##### — For stereo model (CCD-FX640 only)

Change the "HiFi SOUND" mode setting in the menu system (p. 32)

# Using Alternative Power Sources

You can choose any of the following power sources for your camcorder: battery pack (p. 6), house current, and 12/24 V car battery. Choose the appropriate power source depending on where you want to use your camcorder.

Place	Power source	Accessory to be used
Indoors	House current	AC power adaptor AC-V25A/V25B/V25C/V15 (supplied), AC-S10, AC-V55
Outdoors	Battery pack	Battery pack NP-33/55 (supplied), NP-60D, NP-C65, NP-68, NP-77H, NP-80/80D
In the car	12 V or 24 V car battery	DC pack DCP-77

**Note on power sources**

Disconnecting the power source or removing the battery pack during recording or playback may damage the inserted tape. If this happens, restore the power supply again immediately.

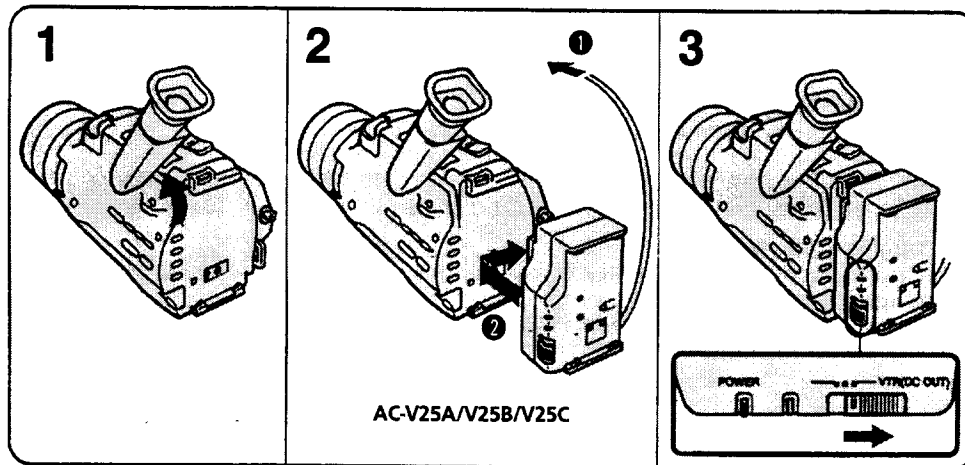


This mark indicates that this product is a genuine product related our 8mm video equipment. When purchasing our 8mm video equipment, we recommend that you purchase related 8mm video products provided with the same mark or products provided with our logotype mark.

## Using House Current

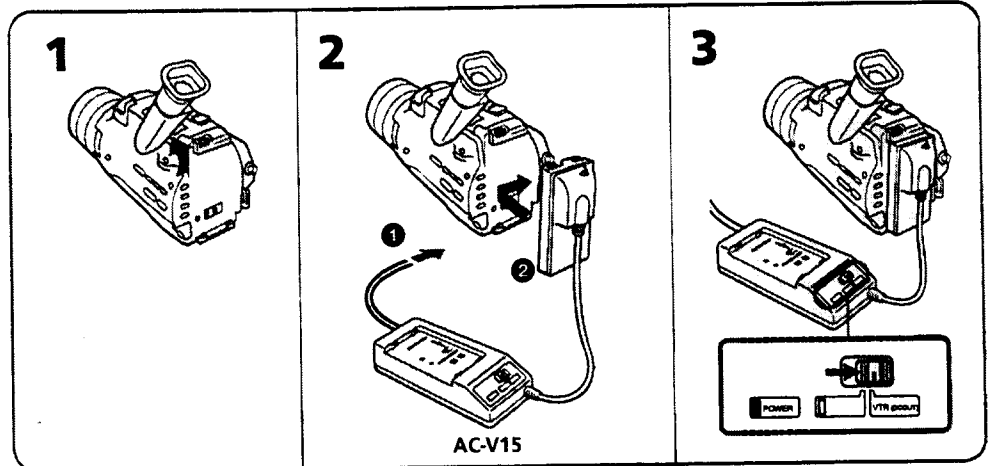
To use the supplied AC-V25A/V25B/V25C/V15 AC power adaptor:

- (1) Lift up the viewfinder.
- (2) Connect the AC power cord to a wall outlet. Connect the bottom of the AC power adaptor to the battery mounting surface of the camcorder.
- (3) Set the selector to VTR (DC OUT).



Basic Operations / Advanced Operations

## Using Alternative Power Sources



### Notes on the POWER lamp

- The POWER lamp will remain lit for a while even if the unit is unplugged after use. This is normal.
- If the POWER lamp does not light, set the selector to the center (AC-V25A/V25B/V25C)/VTR (AC-V15) position and disconnect the power cord. After about one minute, reconnect the power cord and set the selector to VTR (DC OUT) again.

### To remove the adaptor

The adaptor is removed in the same way as the battery pack (p. 8).

## Using a Car Battery

Use the DCP-77 DC pack (not supplied). Connect the cord of the DC pack to the cigarette lighter socket of the car (12 V or 24 V). Connect the DC pack to the battery mounting surface of the camcorder.

### To remove the DC pack

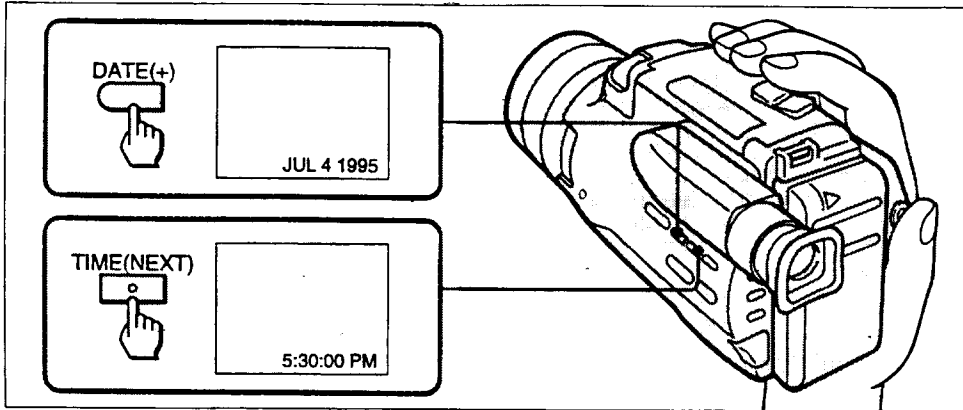
The DC pack is removed in the same way as the battery pack (p. 8).

## Options for Charging the Battery Pack

- AC-S10 AC power adaptor:  
You can charge a battery pack whether it is used up or not with this adaptor because it has a discharging function.
- BC-S10 portable battery charger (ideal for travel):  
You can charge a battery pack on 100 — 240 V AC current.

## Recording with the Date or Time

Before you start recording, press DATE (+) or TIME (NEXT). You can record the date or time displayed in the viewfinder with the picture. You cannot record the date and time at the same time. Except for the date, time or age indicator, no indicator in the viewfinder is recorded. The clock is set to the East Coast Standard Time at the factory, but you can reset the clock in the menu system (p. 35).



### To Stop Recording with the Date or Time

Press DATE (+) or TIME (NEXT) again. The date or time indicator disappears. The recording continues.

# Recording with the Date or Time

## Storing a Birth Date in Your Camcorder

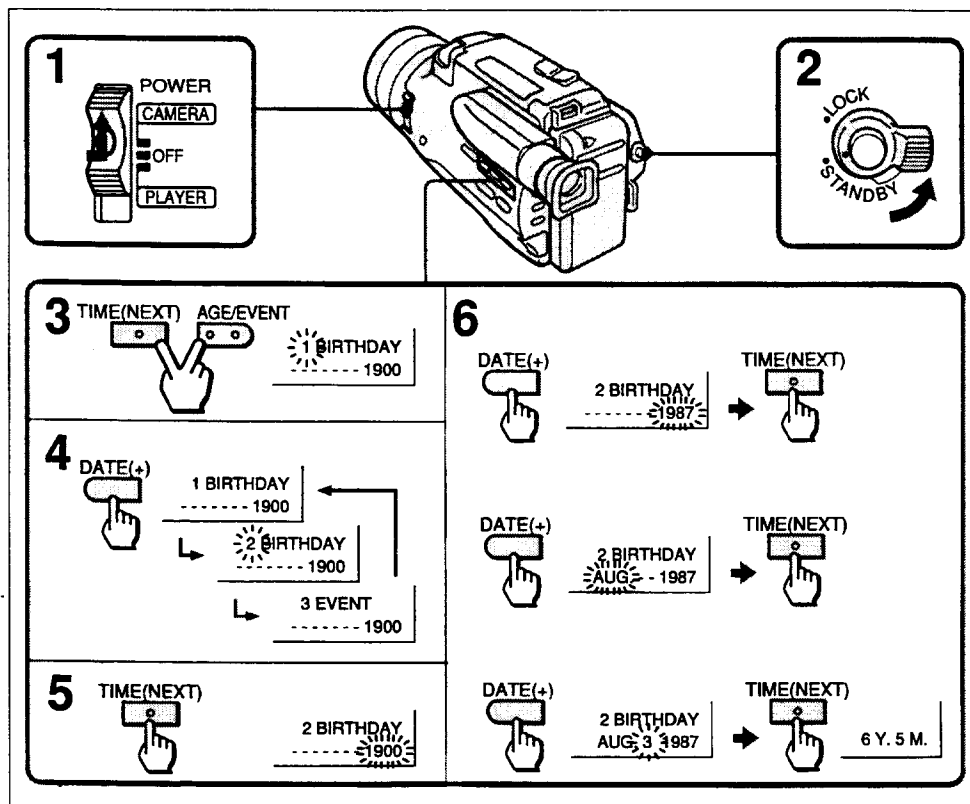
By presetting your child's birth date in your camcorder, you can record your child's age in years and months on your tape. Once you enter the birth date of your child, the camcorder's clock will automatically update the age of your child. You can preset up to three birth dates or events in the camcorder's memory.

Before storing a birth date, make sure a power source and the lithium battery are installed, and the date setting is correct. The following procedure stores "Aug. 3 1987" in memory 2 as an example.

- (1) While pressing the small green button on the POWER switch, slide it to CAMERA.
- (2) Turn STANDBY up.

You can hear the BEEP sound to confirm your operation (CCD-FX640 only).

- (3) Press TIME (NEXT) and AGE/EVENT simultaneously for a few seconds until the "1 BIRTHDAY-- 1900" indicator appears in the viewfinder.
- (4) Press DATE (+) to select "2 BIRTHDAY."
- (5) Press TIME (NEXT). The "1900" indicator flashes.
- (6) Enter the birth date by adjusting the flashing indicators of the year, month and day by pressing DATE (+) and TIME (NEXT). Note that when you keep DATE (+) pressed, the digits advance faster.



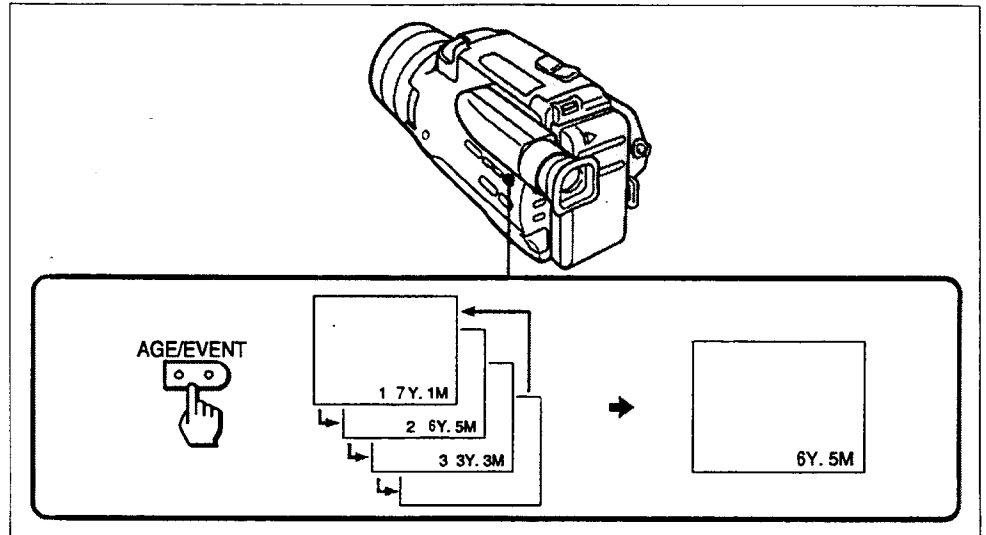
### Note on the birth or event dates indicators

Each time you press DATE (+), the display in the viewfinder changes from "1 BIRTHDAY" to "2 BIRTHDAY," "3 EVENT" and comes back to "1 BIRTHDAY."



### Recording with the Age

Make sure the age is set. While recording, press AGE/EVENT to select memory 1, 2 or 3. You can record the time elapsed since the date set, for example, your child's birthday. Except for the age, date or time (p. 21) indicator, no indicator in the viewfinder is recorded.



#### Note on the age indicator

Each time you press AGE/EVENT, the indicator changes from 1 "The first age" to 2 "The second age," 3 "The third age" and back to no indicator. Items for which no setting has been made will be skipped. The 1, 2 or 3 indicator disappears after one second.

#### To Stop Recording with the Age

Press AGE/EVENT repeatedly until the age indicator disappears.

#### To Correct the Age Settings while Recording

Press AGE/EVENT repeatedly until the desired age appears. The recording starts after the 1, 2 or 3 indicator disappears.


#### When the camcorder is connected to a TV

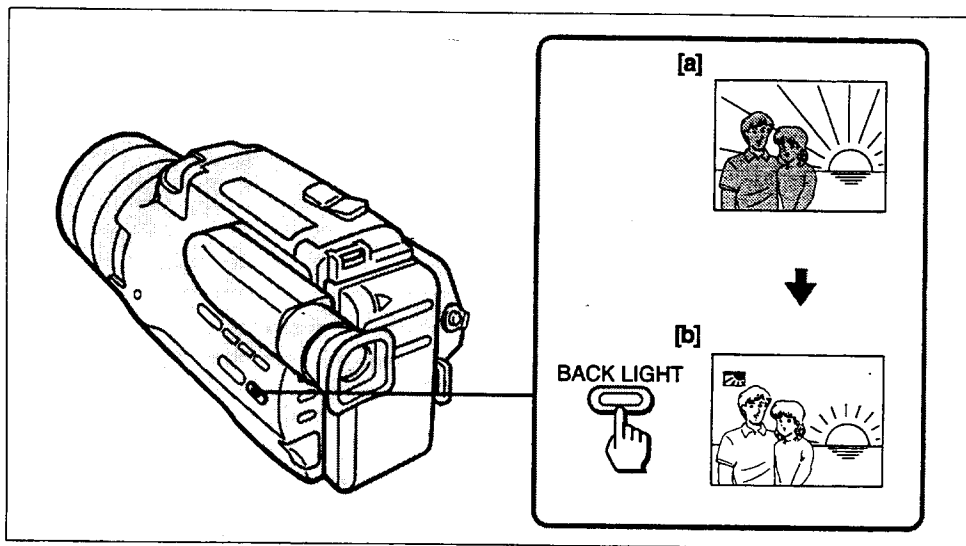
The age indicator appears on the TV screen after the 1, 2 or 3 indicator disappears in the viewfinder screen.



# Shooting with Backlighting

When you shoot a subject with the light source behind the subject or a subject with a light background, use the BACK LIGHT function.


Press BACK LIGHT. The  indicator appears in the viewfinder.



[a] Subject is too dark because of backlight.

[b] Subject becomes bright with backlight compensation.

## After shooting

Be sure to release this adjustment condition by pressing BACK LIGHT again. The  indicator in the viewfinder disappears. Otherwise, the picture will be too bright under normal lighting condition.

## This function is also effective under the following conditions:

- On snow, e.g. at a ski resort
- At the beach under strong sunshine
- A subject with a light source nearby or a mirror reflecting light
- A white subject against a white background. Especially when you shoot a person wearing shiny clothes made of silk or synthetic fiber, his or her face tends to become dark if you do not use this function.

# Using the PROGRAM AE Function

You can select from four PROGRAM AE (Auto Exposure) modes to suit your shooting situation. When you use PROGRAM AE, you can get a Portrait effect (the subject is in focus and the background is out of focus), capture high-speed action, or record night views.

## Selecting the Best Mode

Select one of four modes, referring to the following.



### Portrait mode

- A still subject such as a person or a flower
- Zooming in on a subject in the telephoto mode
- A subject behind an obstacle such as a net

### Sports mode

- Outdoor sports scenes such as football, tennis, golf or skiing
- A landscape from a moving car

### High-speed shutter mode

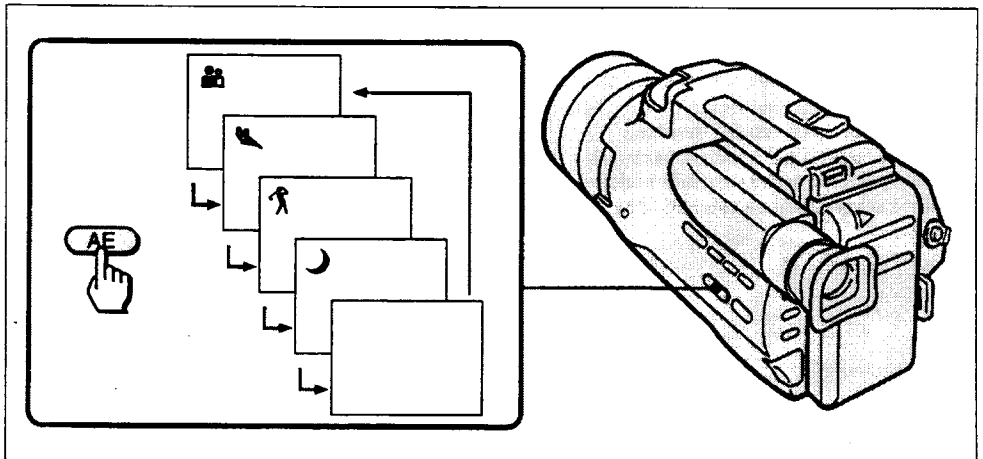
- A golf swing or a tennis match in fine weather with the ball captured clearly
- Playing back certain scenes with high-speed movements in a clear, sharp picture

### Twilight mode

- Recording night views, neon signs or fireworks

## Using the PROGRAM AE Function

Press PROGRAM AE. The indicator of the selected PROGRAM AE mode appears in the viewfinder.



### Note on shutter speed

The shutter speed in each PROGRAM AE mode is as follows:

Portrait mode — between 1/60 to 1/2000

Twilight mode — 1/60

Sports mode — between 1/60 to 1/500

Normal mode — 1/60

High-speed shutter mode — 1/4000

# Fade-in and Fade-out

You can fade in or out to give your recording a professional appearance.

When fading in, the picture gradually fades in from black or mosaic while the sound increases. When fading out, the picture gradually fades to black or mosaic while the sound decreases.

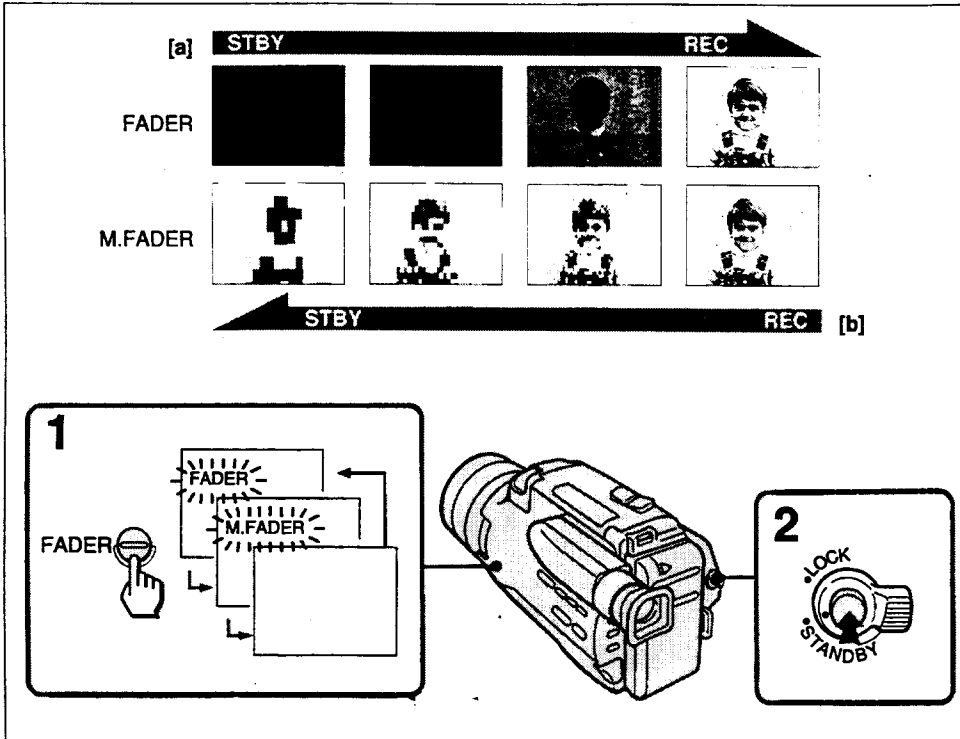
You can hear the BEEP sound to confirm your operation (CCD-FX640 only).

## When Fading in [a]

- (1) While the camcorder is in Standby mode, press FADER. The fade indicator starts flashing.
- (2) Press START/STOP to start recording. The fade indicator stops flashing.

## When Fading out [b]

- (1) During recording, press FADER. The fade indicator starts flashing.
- (2) Press START/STOP to stop recording. The fade indicator stops flashing, and then recording stops.



Advanced Operations

## To Cancel the Fade-in/Fade-out Function


Before pressing START/STOP, press FADER until the fade indicator disappears.

## When the date/time or age indicator is displayed

The date/time or age indicator does not fade in nor fade out.

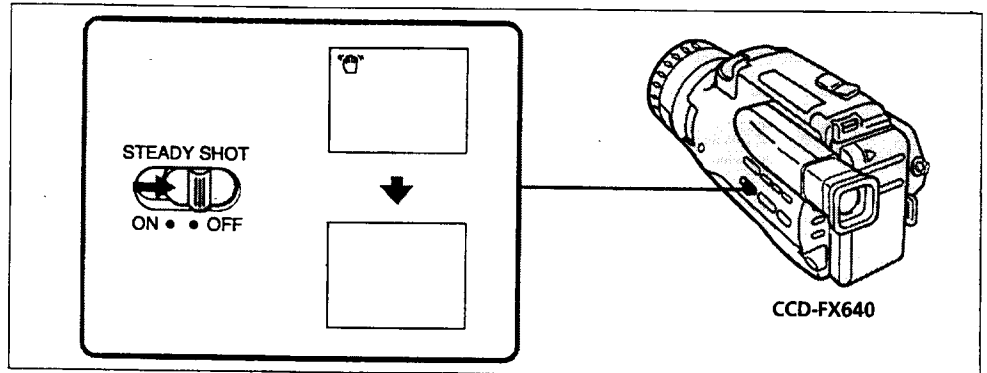
## Releasing the STEADY SHOT Function

### — For model with the STEADY SHOT switch (CCD-FX640 only)

When you shoot, the  indicator appears in the viewfinder. This indicates that Steady Shot function is working and the camcorder compensates for camera-shake.

You can release the steady shot function when you do not need to use the Steady Shot function. Do not use the steady shot function when shooting a stationary object with a tripod.

Set STEADY SHOT to OFF.



### To Activate the Steady Shot Function again

Set STEADY SHOT to ON.

#### Notes on the Steady Shot Function

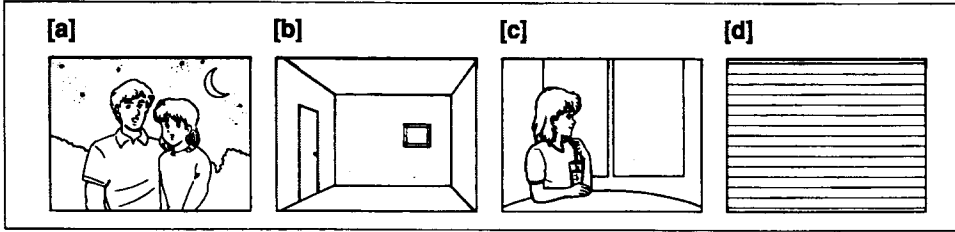
- The Steady Shot Function will not correct excessive camera-shake.
- When you switch the STEADY SHOT function on or off, the exposure may fluctuate.

# Focusing Manually

— For models with the FOCUS switch (CCD-FX640 only)

## When to Use Manual Focus


In the following cases you should obtain better results by adjusting the focus manually.

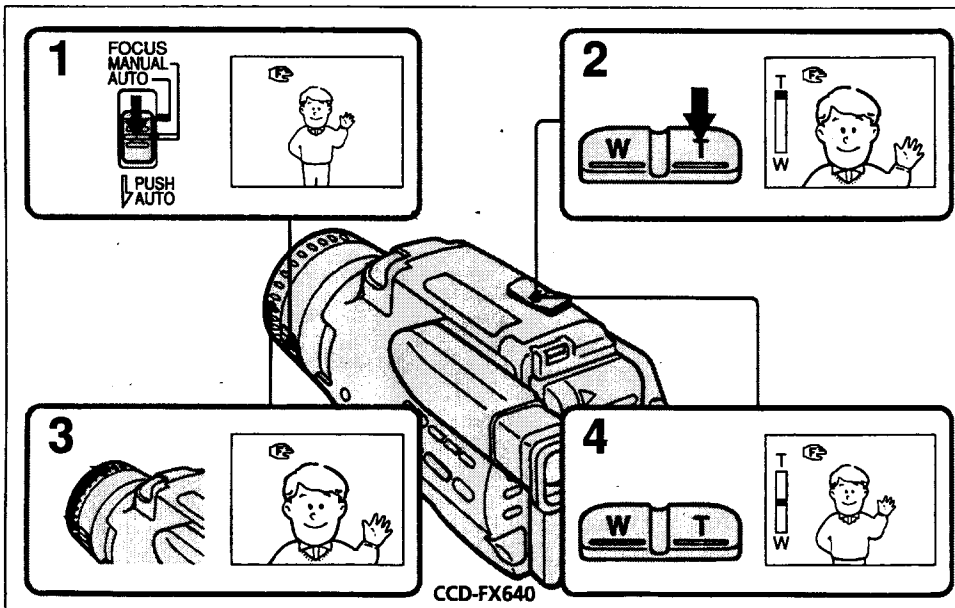


- Insufficient light [a]
- Subjects with little contrast — walls, sky, etc. [b]
- Too much brightness behind the subject [c]
- Horizontal stripes [d]
- Subject through frosted glass
- Subjects beyond nets, etc.
- Bright subject or subject reflecting light
- Shooting a stationary subject when using a tripod

## Focusing Manually

When focusing manually, first focus in telephoto before recording, and then reset the shot length.

- (1) Set FOCUS to MANUAL. The  indicator appears in the viewfinder.
- (2) Keep pressing the "T" (telephoto) side of the power zoom button until the zooming stops.
- (3) Turn the focus ring to achieve a sharp focus.
- (4) Set the desired shot length using the power zoom button.

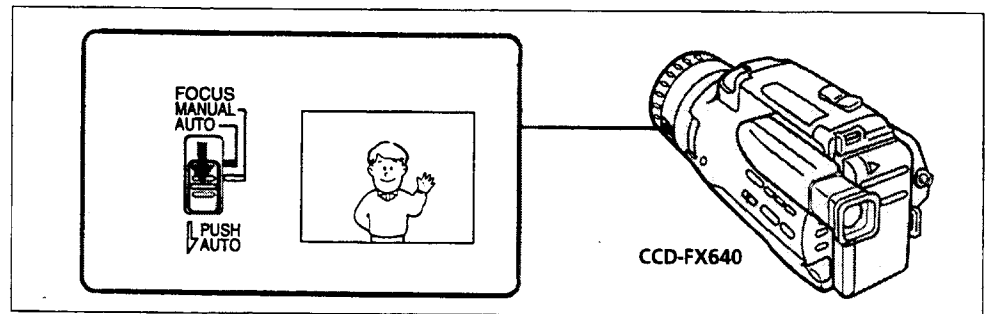


Advanced Operations


## Focusing Manually

### To Shoot with Autofocus Momentarily

When you want to switch to autofocus momentarily while recording in manual focus mode, push FOCUS down to PUSH AUTO. Autofocus functions while FOCUS is held down. When it is released, manual focus mode will be resumed.



### To Return to Autofocus Mode

Set FOCUS to AUTO. The  indicator in the viewfinder disappears.

### Shooting in relatively dark places

Shoot at wide-angle after focusing in the telephoto position.

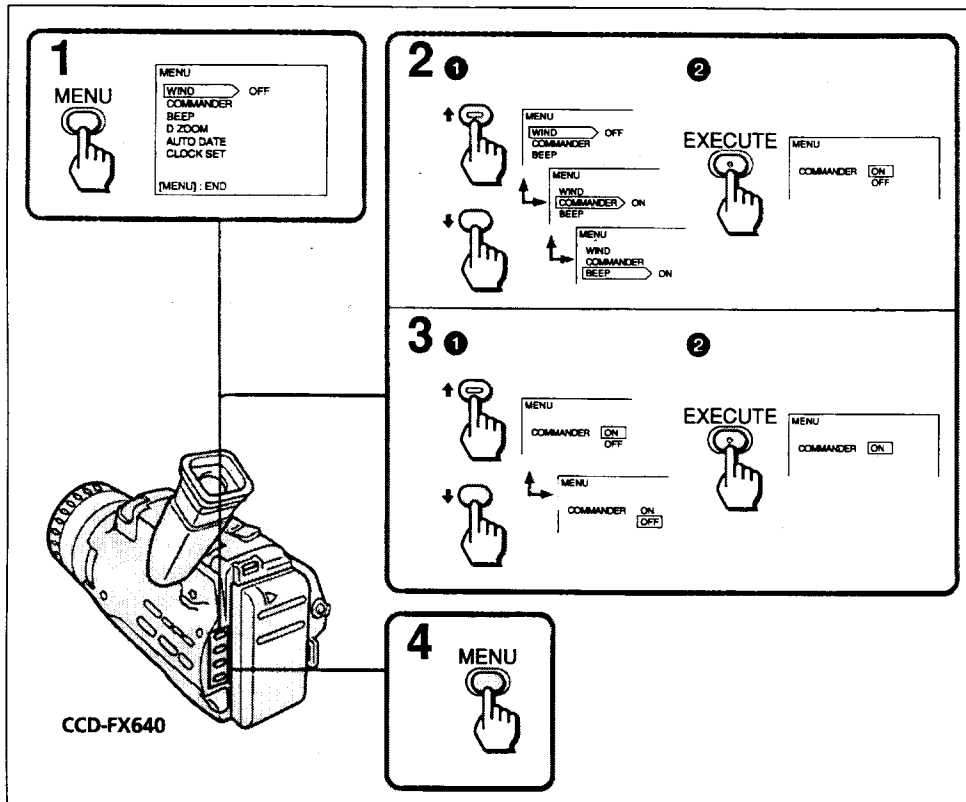
### Note on the focus ring

The focus ring does not have a stop position.

# Changing the Mode Settings

You can change the mode settings in the menu system to further enjoy the features and functions of the camcorder.

- (1) Press MENU to display the menu in the viewfinder.
- (2) Press  $\uparrow$  or  $\downarrow$  to select the desired item, then press EXECUTE.
- (3) Press  $\uparrow$  or  $\downarrow$  to set the desired mode, then press EXECUTE. If you want to change the other modes, repeat steps 2 and 3.
- (4) Press MENU to erase the menu display.



Advanced Operations

## Note on BACK UP

When the BACK UP indicator appears on the menu display, the settings are retained even when the battery is removed, as long as the lithium battery is in place.

## Selecting the Mode Setting of Each Item

### Items for both PLAYER and CAMERA Mode

#### COMMANDER <ON/OFF>

- Select ON when using the supplied Remote Commander for the camcorder.
- Select OFF when not using the Remote Commander.


#### BEEP <ON/OFF> (CCD-FX640 only)

- Select ON to turn the beep sound on.
- Select OFF to turn the beep sound off.

### Items for CAMERA Mode only

#### WIND <ON/OFF>

— For stereo model (CCD-FX640 only)

- Select ON when recording in a strong wind. The  indicator appears in the viewfinder and noise from the wind will be reduced.
- Normally select OFF.

#### D ZOOM ON/OFF (CCD-FX640 only)

- Select ON to activate digital zooming (24 x).
- Select OFF to not use the digital zoom.  
The camcorder goes back to 12 x zoom.

#### AUTO DATE <ON/OFF>

- Select ON to record the date for 10 seconds after recording has started.
- Select OFF to not record the date (AUTO DATE feature p. 12).

#### CLOCK SET

- Select this item to reset the date or time.

### Items for PLAYER Mode only

#### EDIT <ON/OFF>

- Select ON to minimize picture deterioration when editing.
- Normally select OFF.

#### HiFi SOUND <STEREO/1/2>

— For stereo model (CCD-FX640 only)

- Normally select STEREO.
- Select 1 or 2 to play back a dual sound track tape.



# Editing onto Another Tape

You can create your own video program by editing with any other **8** 8 mm, **Hi8** Hi8, **VHS** VHS, **S-VHS** S-VHS, **VHS-C** VHSC, **S-VHS-C** S-VHSC, **B** Betamax or **ED Beta** ED Betamax VCR that has audio/video inputs.

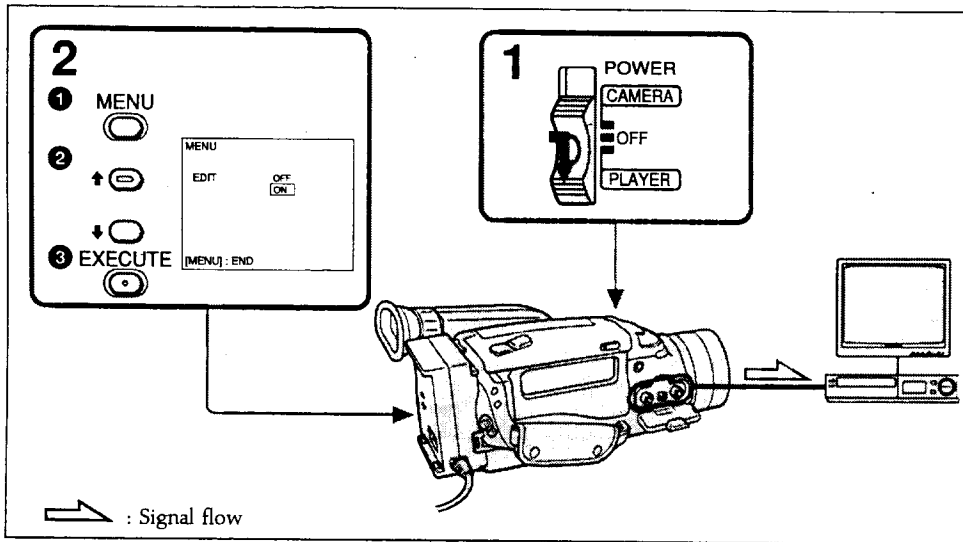
## Before Editing

Connect the camcorder to the VCR using the supplied A/V connecting cable (p. 16).  
Set the input selector on the VCR to LINE, if available.

(1) Set the POWER switch to PLAYER.

You can hear the BEEP sound to confirm your operation (CCD-FX640 only).

(2) Set EDIT to ON in the menu system (p. 32).



Advanced Operations

## Starting Editing

- (1) Insert a blank tape (or a tape you want to record over) into the VCR, insert your recorded tape into the camcorder.
- (2) Play back the recorded tape on the camcorder until you locate the point where you want to start editing, then set the camcorder in the playback pause mode.
- (3) On the VCR, locate the recording start point and set the VCR in the recording pause mode.
- (4) Press **II** on the camcorder and VCR simultaneously to start editing.

## To Edit More Scenes

Repeat steps 2 to 4.

## To Stop Editing

Press **■** on both the camcorder and the VCR.

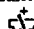
## Use of the EDITSEARCH button

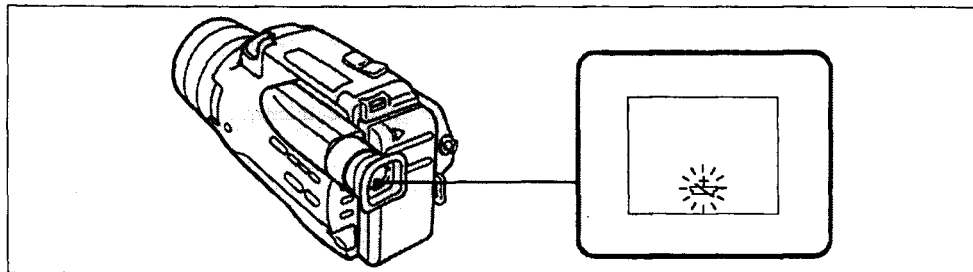
You can play back the tape in normal/reverse direction by holding down EDITSEARCH during playback pause mode. You can also play back still pictures successively at specific intervals by pressing EDITSEARCH intermittently.

## Note on the DISPLAY function

If you have displayed the viewfinder screen indicators on the TV, erase the indicators by pressing DISPLAY on the Remote Commander so that they will not be superimposed on the edited tape.

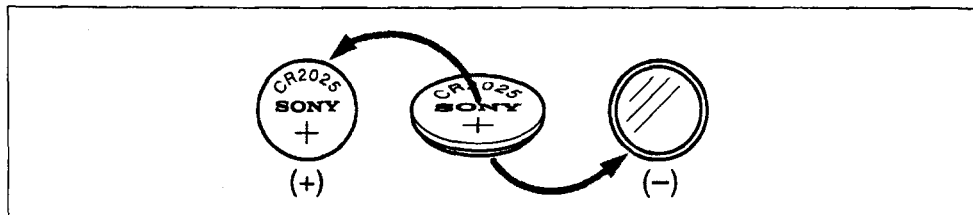
## Changing the Lithium Battery

Your camcorder is supplied with a lithium battery installed. The lithium battery for the camcorder lasts for about 1 year under normal operation. When the battery becomes weak or dead, the  indicator flashes in the viewfinder for about 5 seconds when you set the POWER switch to CAMERA. In this case, **replace the battery with a Sony CR2025 or Duracell DL-2025 lithium battery. Use of any other battery may present a risk of fire or explosion.**



### Note on Lithium Battery

The lithium battery has a positive (+) side and a negative (-) side as illustrated. Be sure to insert the lithium battery with the positive side facing out.



### WARNING

The battery may explode if mistreated. Do not recharge, disassemble, or dispose of in fire.

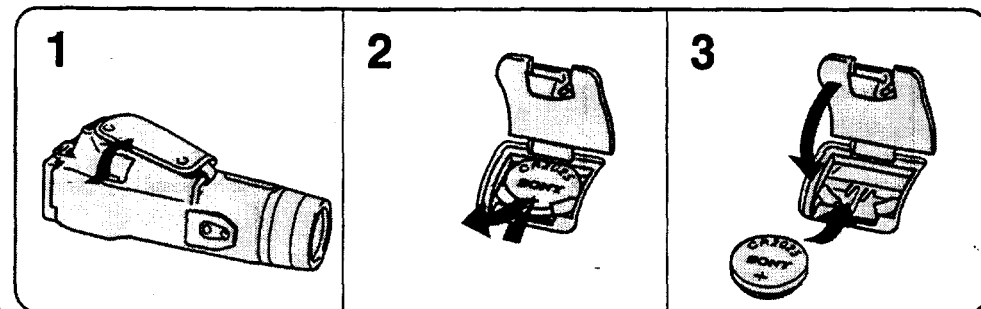
### Caution

**Keep the lithium battery out of the reach of children. Should the battery be swallowed, consult a doctor immediately.**

### Changing the Lithium Battery

When replacing the lithium battery, keep the battery pack or other power source attached. Otherwise, you will need to reset the date, time, age and other BACK UP items in the menu system.

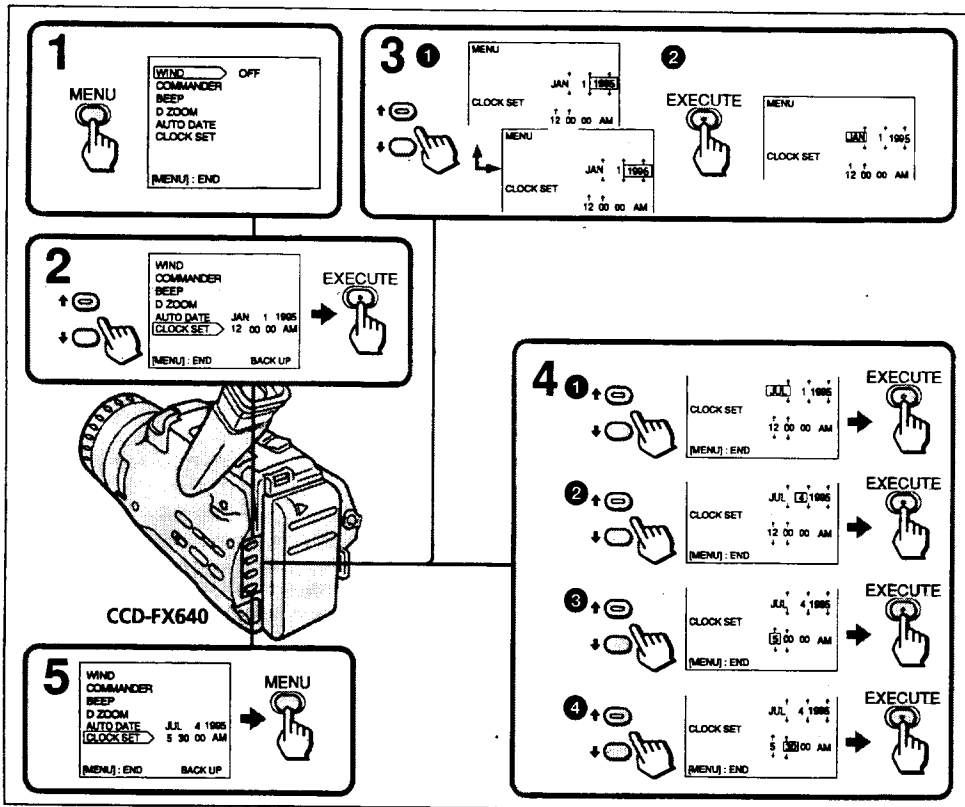
- (1) Open the lid of lithium battery compartment under the grip strap of the camcorder.
- (2) Push the battery down once and pull it out from the holder.
- (3) Install the lithium battery with the positive (+) side facing out. Close the lid.



# Resetting the Date and Time

You can reset the date and time in the menu system.

- (1) Press MENU to display the menu in the viewfinder.
- (2) Select CLOCK SET, then press EXECUTE.
- (3) Press ↑ or ↓ to adjust the year, and then press EXECUTE.
- (4) Press ↑ or ↓ to adjust the month, day, hour and minutes, and then press EXECUTE. Note that when you keep ↑ or ↓ pressed, the indications in the menu display advance faster.
- (5) Press MENU to erase the menu display.



## To Check the Preset Date and Time

Press DATE (+) to display the date indicator in the viewfinder.

Press TIME (NEXT) to display the time indicator. When you press the same button again, the indicator goes off.

### Note on the setting of the year

When you set the year, each time you press DATE (+) the digits change as follows.

1995 → 1996 → - - - - → 2024

### Note on the time indicator

The internal clock of this camcorder operates on a 12-hour cycle.

12:00 AM stands for midnight.

12:00 PM stands for noon.

Additional Information

## Playback Modes

The playback mode (SP or LP) is selected automatically according to the format in which the tape has been recorded. The quality of the recorded picture in LP mode, however, will not be as good as that in SP mode.

### Note on AFM Hi-Fi stereo — For stereo model (CCD-FX640 only)

When you play back a tape, the sound will be in monaural if:

- You record the tape using this camcorder, then play it back on an AFM Hi-Fi monaural video recorder/player.
- You record the tape on an AFM Hi-Fi monaural video record, then play it back on this camcorder.

### LP (long play) mode

When you play back a tape recorded in LP mode, the LP indicator lights up in the viewfinder. This camcorder cannot record a tape in LP mode.

### Foreign 8 mm video

You cannot play back software recorded on a different TV color system. Because the TV color systems differ from country to country, you may not be able to play back foreign pre-recorded software. Refer to page 42 to check the TV color system of foreign countries.

## Tips for Using the Battery Pack

This section shows you how you can get the most out of your battery pack.

### Preparing the Battery Pack

#### Always Carry Additional Batteries

Have sufficient battery pack power to do 2 to 3 times as much recording as you have planned.

#### Battery Life is Shorter in Cold Environment

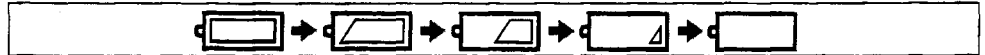
Battery efficiency is decreased and the battery will be used up more quickly if you are recording in a cold environment.

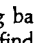
#### To Save Battery Power

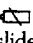
Turn STANDBY on the camcorder down when not recording to save battery power (p. 37) [a]. A smooth transition between scenes can be made even if recording is stopped and started again. While you are positioning the subject, selecting an angle, or looking through the viewfinder lens, the lens moves automatically and the battery is used. The battery is also used when a tape is inserted or removed.

### When to Replace the Battery Pack

While you are using your camcorder, the remaining battery indicator in the viewfinder decreases gradually as battery power is used up.



When the remaining battery indicator reaches the lowest point, the  indicator appears and starts flashing in the viewfinder (p. 37) [b].

When the  indicator in the viewfinder changes from slow flashing to rapid flashing while you are recording, slide the POWER switch to OFF on the camcorder and replace the battery pack. Leave the tape in the camcorder to obtain a smooth transition between scenes after the battery pack is replaced.

#### Note on the remaining battery indicator

The remaining battery indicator of the camcorder may indicate a different remaining capacity from that of the battery pack with its own indicator (not supplied). The indicator on the battery pack is more accurate.

### Notes on the Rechargeable Battery Pack

#### The Battery Pack Heats Up

During charging or recording, the battery pack heats up. This is caused by energy that has been generated and a chemical change that has occurred inside the battery pack. This is not cause for concern.

#### Battery Pack Care

- Remove the battery pack from the camcorder after using the battery pack, and keep it in a cool place. When the battery pack is attached to the camcorder, a small amount of current flows to the camcorder even if the POWER switch is set to OFF, which shortens battery life.

## Tips for Using the Battery Pack

- The battery pack is always discharging even when it is not in use after charging. Therefore, you should charge the battery pack right before using the camcorder.

### How to Use the Switch on the Battery Pack

When the switch is supplied with the battery pack [c], you can use it to confirm whether the battery pack is charged or not. Set the switch to the "no mark" position when charging is completed. Set the switch to the "red mark" position when the battery is used up (or in whichever direction you want to remind yourself).

### The Life of the Battery Pack

If the battery indicator flashes rapidly just after turning on the camcorder with a fully charged battery pack, the battery pack should be replaced with a new fully charged one.

### Charging Temperature

You should charge batteries at temperatures from 50°F to 86°F (from 10°C to 30°C). Lower temperature require a longer charging time.

### Sony Batteries are Recommended

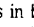
Use of non-Sony batteries may damage your Handycam camcorder.

## Notes on Charging

### A Brand-new Battery Pack

A brand-new battery pack is not charged. Before using the battery pack, charge it completely.

### Before Recharging a Used Battery Pack

- Make sure to use up the battery before recharging.
- If recording is completed before the  indicator appears in the viewfinder, you should remove the tape, slide the POWER switch to CAMERA, turn STANDBY up, and leave the camcorder until the battery indicator flashes rapidly.
- When you use the AC-S10 power adaptor or the BC-S10 portable battery charger, you can use the discharging function.
- **Charging a usable battery pack causes a lowering of battery capacity. Battery capacity can be recovered if you fully discharge and charge the battery pack again.**

### After Long Storage

Recharge the battery pack after a long period of storage. If the battery pack is charged fully but not used for a long time (about 1 year), it becomes discharged. Charge it again, but in this case the battery life will be shorter than normal. After several charging and discharging cycles, the battery life will recover its original capacity.

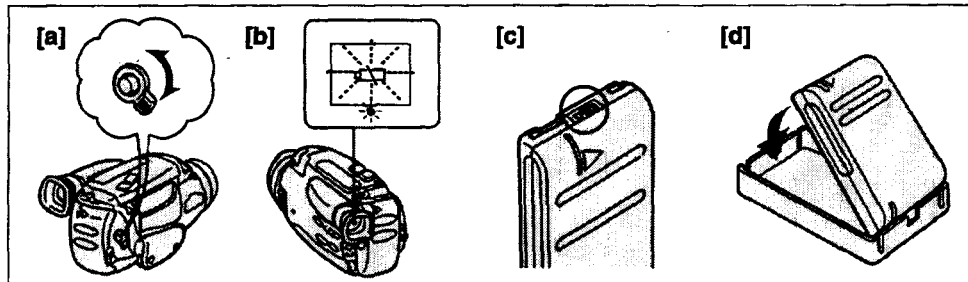
## Notes on the Terminals

**If the terminals (metal parts on the back) are not clean, the battery duration will be shortened.**

When the terminals are not clean or when the battery pack has not been used for a long time, repeatedly install and remove the battery pack. This improves the contact condition. Also, wipe the + and - terminals with a soft cloth or paper.

### Be Sure to Observe the Following

- **To prevent an accident caused by a short circuit, do not allow metal objects such as a necklace to touch the battery terminals. When carrying the battery pack, attach the terminal cover [d].**
- Keep the battery pack away from fire.
- Keep the battery pack dry.
- Do not open nor convert the battery pack.
- Do not expose the battery pack to any mechanical shock.






Additional Information

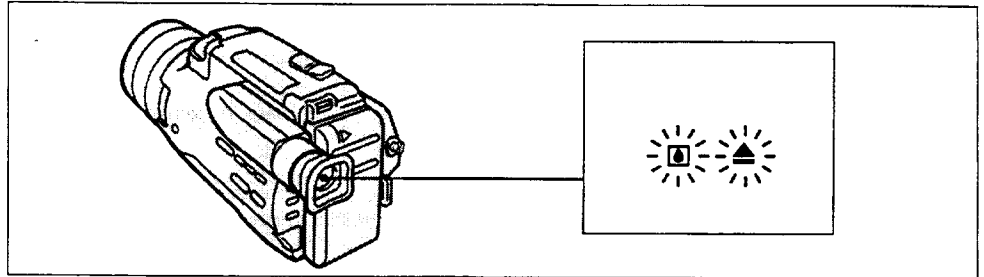
## Moisture Condensation

If the camcorder is brought directly from a cold place to a warm place, moisture may condense inside the camcorder, on the surface of the tape, or on the lens. In this condition, the tape may stick to the head drum and be damaged or the unit may not operate correctly. To prevent possible damage under these circumstances, the camcorder is furnished with moisture sensors. However, take the following precautions.

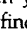
### Inside the Camcorder

When the  and  indicators flash in the viewfinder, moisture has condensed inside the camcorder. If this happens, no other functions except for tape ejection will work.


**Eject the tape, turn off the camcorder and leave it with the cassette holder open for at least one hour.** The camcorder can be used again if the  indicator does not appear when the power is turned on again.



### On the Surface of the Tape

If there is moisture on the surface of the tape, when you insert the cassette and press a tape transport button (▶PLAY, etc.), the  indicator in the viewfinder flashes.

In this case, no other functions except for tape ejection will work.

**Eject the tape, turn off the camcorder and leave it with the cassette holder open for at least one hour.** The camcorder can be used again if the  indicator does not appear when you insert the cassette and press one of the tape transport buttons.

### On the Lens

If moisture condenses on the lens, no indicator appears, but the picture becomes dim. Turn off the power and do not use the camcorder for about one hour.

### How to Prevent Moisture Condensation

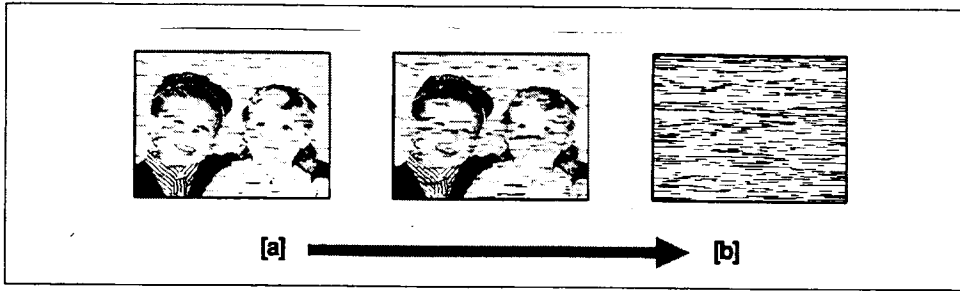
When bringing the camcorder from a cold place to a warm place, put the camcorder in a plastic bag and allow it to adapt to room conditions over a period of time.

(1) Be sure to tightly seal the plastic bag containing the camcorder.

(2) Remove the bag when the air temperature inside it has reached the temperature surrounding it (after about 1 hour).

## Video Head Cleaning

To ensure normal recording and clear pictures, clean the video heads often. When the ⊗ indicator in the viewfinder flashes or playback pictures are "noisy" or hardly visible, the video heads may be dirty.



[a] Slightly dirty

[b] Very dirty

If this happens, clean the video heads with the Sony V8-25CLH cleaning cassette (not supplied). After checking the picture, if it is still "noisy," repeat the cleaning. (Do not repeat cleaning more than 5 times.)

### Caution

Do not use a commercially available wet-type cleaning cassette. It may damage the video heads.

### Note

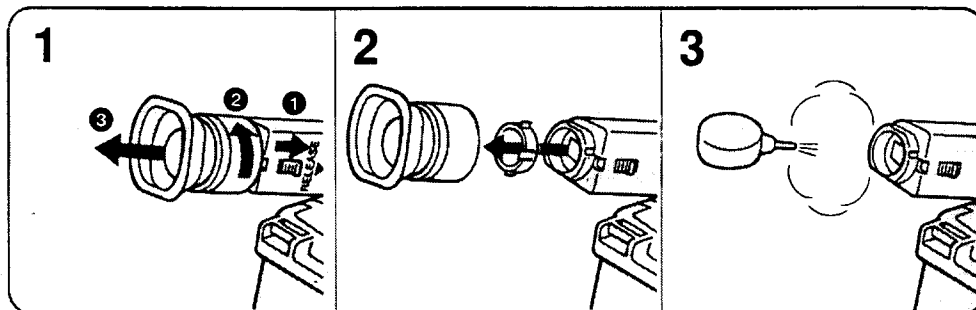
If the V8-25CLH cleaning cassette is not available in your area, consult your nearest Sony dealer.

Additional Information

## Removing Dust from Inside the Viewfinder

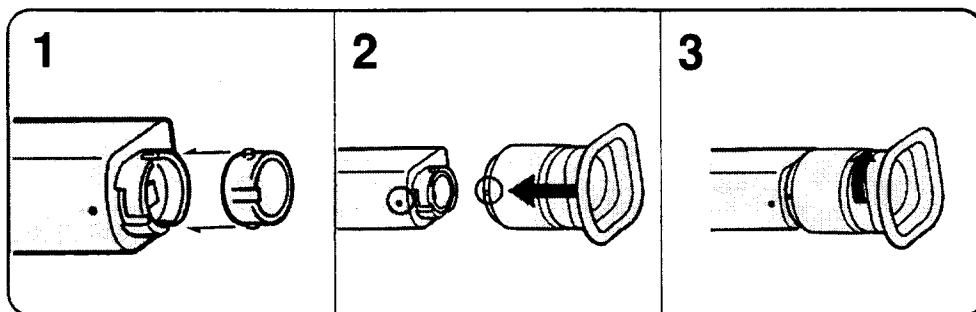
### When Using a Monochrome Viewfinder — For CCD-FX240

- (1) While holding down the switch on the viewfinder barrel, turn the eyecup in the direction of the arrow and pull it out.
- (2) Remove the small lens from inside the viewfinder.
- (3) Clean the surface with a commercially available blower.



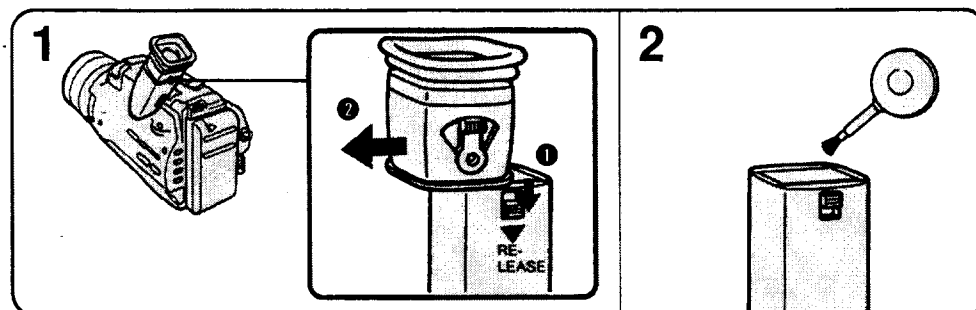
### To Reattach the Eyecup

- (1) Replace the small lens inside the viewfinder. Be sure to replace it with the correct side.
- (2) Align the groove on the eyecup with the ● mark on the barrel.
- (3) Turn the eyecup clockwise.



### When Using a Color Viewfinder — For CCD-FX340/FX640

- (1) While pressing down the hook, slide the viewfinder barrel in the direction of the arrow and remove it from the viewfinder.
- (2) Clean the surface with a commercially available blower.



### To reattach the viewfinder barrel

- 40** Slide the viewfinder barrel in the opposite direction of the arrow in the above illustration.



## Precautions

### Camcorder Operation

- Operate the camcorder on 6.0 V (battery pack) or 7.5 V (AC power adaptor).
- For DC or AC operation, use the accessories recommended in this manual.
- Should any solid object or liquid get inside the casing, unplug the camcorder and have it checked by Sony dealer before operating it any further.
- Avoid rough handling or mechanical shock. Be particularly careful of the lens.
- Keep the POWER switch set to OFF when not using the camcorder.
- Do not wrap up the camcorder and operate it since heat may build up internally.
- Keep the camcorder away from strong magnetic fields or mechanical vibration.

### On Handling Tapes

Do not insert anything in the small holes on the rear of the cassette. These holes are used to sense the type, thickness of tape, if the tab is out or in, etc.

### Camcorder Care

- When the camcorder is not to be used for a long time, disconnect the power source and remove the tape. Periodically turn on the power, operate the camera and player sections and play back a tape for about 3 minutes.
- Clean the lens with a soft brush to remove dust. If there are fingerprints on it, remove them with a soft cloth.
- Clean the camcorder body with a dry soft cloth, or a soft cloth lightly moistened with a mild detergent solution. Do not use any type of solvent which may damage the finish.

### AC Power Adaptor

#### Charging

- **Repeated charging while some capacity remains causes a lowering of battery capacity. However, the original battery capacity can be recovered if you use the battery completely and charge it fully again.**
- Charge the battery pack on a flat surface without vibration.
- The battery pack will get hot during charging. This is normal.

#### Others

- Model for the USA and Canada: One blade of the plug is wider than the other for safety purposes and will fit into the power outlet only one way. If you are unable to insert the plug fully into the outlet, contact your dealer.
- Unplug the unit from the wall (mains) outlet when not in use for a long time. To disconnect the cord (mains lead), pull it out by the plug. Never pull the cord itself.
- Do not operate the unit with a damaged cord or if the unit has been dropped or damaged.
- Do not bend the AC power cord forcibly, or put a heavy object on it. This will damage the cord and may cause a fire or an electrical shock.
- Be sure that nothing metallic comes into contact with the metal parts of the connecting plate. If this happens, a short may occur and the unit may be damaged.
- Always keep the metal contacts clean.
- Do not disassemble the unit.
- Do not apply mechanical shock or drop the unit.
- While the unit is in use, particularly during charging, keep it away from AM receivers and video equipment because it will disturb AM reception and video operation.
- The unit becomes warm while in use. This is normal.
- Do not place the unit in locations that are:
  - Extremely hot or cold
  - Dusty or dirty
  - Very humid
  - Vibrating

If any difficulty should arise, unplug the unit and contact your nearest Sony dealer.

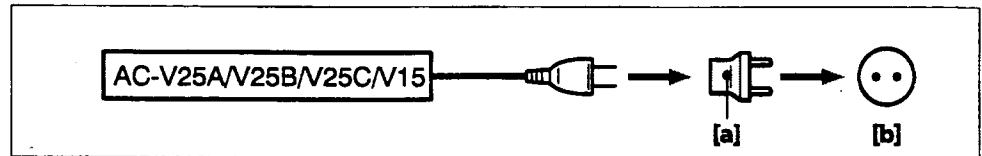
# Using Your Camcorder Abroad

Each country has its own electric and TV color systems. Before using your camcorder abroad, check the following points.

## Power Sources

You can use your camcorder in any country with the supplied AC power adaptor within 110 V to 240 V AC, 50/60 Hz.

Use a commercially available AC plug adaptor [a], if necessary, depending on the design of the wall outlet [b].



## Difference in Color Systems

This camcorder is an NTSC system based camcorder. If you want to view the playback picture on a TV, it must be an NTSC system based TV or a PAL-M system based TV with an NTSC/PAL-M transcoder.

Check the following list.

### NTSC system countries

Bahama Islands, Bolivia, Canada, Central America, Chile, Colombia, Ecuador, Jamaica, Japan, Korea, Mexico, Peru, Surinam, Taiwan, the Philippines, the U.S.A., Venezuela, etc.

### PAL system countries

Australia, Austria, Belgium, China, Denmark, Finland, Germany, Great Britain, Holland, Hong Kong, Italy, Kuwait, Malaysia, New Zealand, Norway, Portugal, Singapore, Spain, Sweden, Switzerland, Thailand, etc.

### PAL-M system country

Brazil

### PAL-N system countries

Argentina, Paraguay, Uruguay

### SECAM system countries

Bulgaria, Czech Republic, France, Guiana, Hungary, Iran, Iraq, Monaco, Poland, Russia, Slovak Republic, Ukraine, etc.

# Trouble Check

If you run into any problem using the camcorder, use the following table to troubleshoot the problem. Should the difficulty persist, disconnect the power source and contact your Sony dealer or local authorized Sony service facility.

## Camcorder

	Symptom	Cause	Corrective Actions	page
Power	The power is not on.	The battery pack is not attached.	Attach the battery pack.	8
		The battery is dead.	Use a charged battery pack.	6
		The AC power adaptor is not connected to a wall outlet.	Connect the AC power adaptor to a wall outlet.	19 20
	The power goes off.	While being operated in CAMERA mode, the camcorder has been in the Standby mode for more than 5 minutes.	Turn STANDBY down once and turn it up again.	12
		The battery is dead.	Use a charged battery pack.	6
	The battery pack is quickly discharged.	The ambient temperature is too low.	—	36
		The battery pack has not been charged fully.	Charge the battery pack again.	6
		The battery pack is completely dead, and cannot be recharged.	Use another battery pack.	37
	Operation	START/STOP does not operate.	The tape is stuck to the drum.	Eject the tape.
The tape has run out.			Rewind the tape or use a new one.	17
The POWER switch is set to PLAYER.			Set it to CAMERA.	11
The tab on the cassette is out (red).			Use a new tape or slide the tab.	9
The cassette cannot be removed from the holder.		The battery is dead.	Use a charged battery pack or the AC power adaptor.	6 19 20
No function except for cassette ejection works.		Moisture condensation has occurred.	Remove the cassette and leave the camcorder for at least an hour.	38
The date or time indicator is flashing.		You pressed DATE (+) and TIME (NEXT) together for more than 2 seconds.	The camcorder is not malfunctioning. You may start recording. Flashing will stop soon.	—
The date or time indicator disappears.	—	Reset the date and time.	35	

Additional Information

## Trouble Check

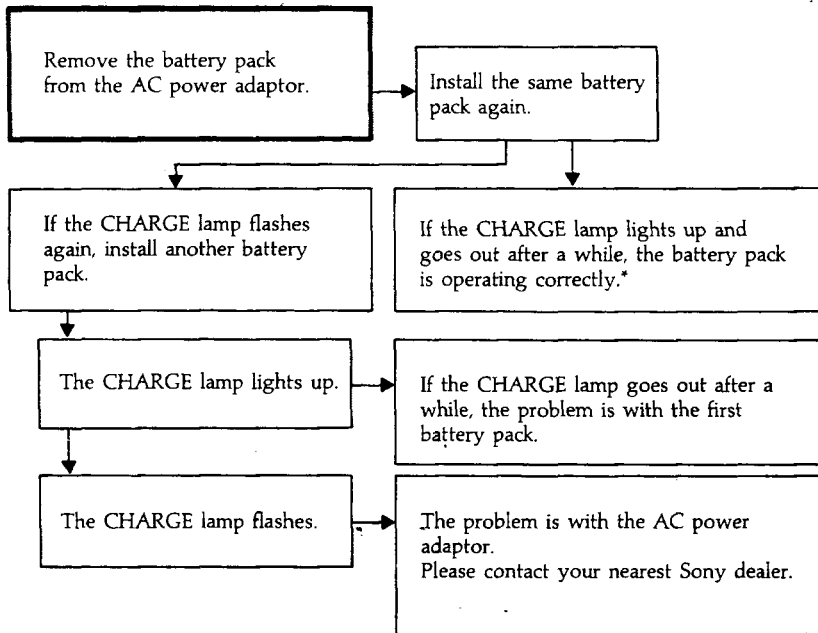
	Symptom	Cause	Corrective Actions	page
<b>Operation</b>	The tape does not move when a tape transport button is pressed.	The POWER switch is set to CAMERA or OFF.	Set it to PLAYER.	17
		The tape has run out.	Rewind the tape or use a new one.	17
	The STEADY SHOT function does not activate. (CCD-FX640 only)	STEADY SHOT is set to OFF.	Set STEADY SHOT to ON.	28
	No sound or only a low sound is heard when playing back a tape. (CCD-FX640 only)	The stereo tape is played back with HiFi SOUND set to "1" or "2" in the menu system.	Set to "STEREO" in the menu system.	32
	Excessive high-pitched sound is heard. (CCD-FX640 only)	The picture has been recorded with WIND set ON in the menu system.	When there is no wind, set the selector to OFF.	32
<b>Picture</b>	The image on the viewfinder screen is not clear.	The viewfinder lens is not adjusted.	Adjust the viewfinder lens.	10
	A vertical band appears when a subject such as lights or a candle flame is shot against a dark background.	The contrast between the subject and background is too high.	The camcorder is not malfunctioning. Change locations.	—
	The menu is not displayed on the TV.	DISPLAY on the Remote Commander has not been pressed.	Press DISPLAY on the Remote Commander.	18
	The playback picture is not clear.	EDIT is set to ON in the menu system.	Set it to OFF.	32
	The picture is "noisy."	The video heads may be dirty.	Clean the heads using the Sony V8-25CLH cleaning cassette.	39
<b>Others</b>	The supplied Remote Commander does not work.	COMMANDER is set to OFF in the menu system.	Set it to ON.	31
		Something is blocking the infrared rays.	Remove the obstacle.	—
		The battery is not inserted with the correct polarity.	Insert the battery with the correct polarity.	52
		The batteries are dead.	Insert new ones.	52
	There is dust in the viewfinder.	—	Remove the viewfinder barrel and clean the viewfinder screen or viewfinder lens.	40

## AC Power Adaptor

	Symptom	Cause	Corrective Actions	page
AC power adaptor	The POWER lamp does not light.	—	Set the selector to the center (AC-V25A/V25B/V25C)/VTR (AC-V15) position and disconnect the power cord. After about one minute, reconnect the power cord and set the selector to CHARGE again.	8
	The CHARGE lamp flashes.	See the following chart.		

### When the CHARGE Lamp Flashes

Check through the following chart.



\* If you use a battery pack which you have just bought or which has been left unused for a long time, the CHARGE lamp may flash at the first charging. This does not indicate a problem. Repeat again to charge with the same battery pack.

Additional Information

## Video Camera Recorder

### System

Video recording system:  
Two rotary heads, Helical scanning FM system

Audio recording system:  
Rotary heads, FM system

Video signal:  
NTSC color, ELA standards

Usable cassette:  
8 mm video format cassette (standard 8 mm)

Tape speed:  
<SP mode> Approx. 19/32 inches (1.43 cm)/second,  
<LP mode> Approx. 5/16 inches (0.72 cm)/second (playback only)

Recording time:  
<SP mode> 2 hours (P6-120)

Playback time:  
<SP mode> 2 hours (P6-120),  
<LP mode> 4 hours (P6-120)

Fastforward/rewind time:  
Approx. 6 min. 30 sec. (P6-120)

Image device:  
CCD (Charge Coupled Device)

Viewfinder:  
Electronic viewfinder  
CCD-FX240: monochrome  
CCD-FX340/FX640: color

Lens:  
Combined 12 x power,  
Filter diameter 2 1/8 inches (52 mm), TTL autofocus system, inner focus wide macro system

Focal distance:  
See the table next page.

Color temperature:  
Auto

Minimum illumination:  
See the table next page.

Illumination range:  
See the table next page.

Recommended illumination:  
More than 100 lux

### Output connector

Video output:  
Phono jack, 1 V<sub>p-p</sub>, 75 Ω, unbalanced, sync negative

Audio output:  
See the table next page.

RFU DC OUT:  
Special minijack, DC 5 V

Earphone/headphones jack:  
See the table next page.

LANC control jack:  
Stereo mini-minijack (ø 2.5 mm)

MIC jack:  
See the table next page.

### General

Power requirements:  
On battery mounting surface  
6.0 V (battery pack)  
7.5 V (AC power adaptor)

Average power consumption:  
See the table next page.

Installation:  
Vertically, horizontally

Operating temperature:  
32 °F to 104 °F (0 °C to 40 °C)

Storage temperature:  
-4 °F to +140 °F (-20 °C to +60 °C)

Dimensions:  
CCD-FX240:  
4 3/4 x 4 3/8 x 10 1/4 inches (120 x 111 x 260 mm)  
CCD-FX340/FX640:  
4 3/4 x 4 3/8 x 10 3/4 inches (120 x 111 x 270 mm) (w x h x d)

Mass:  
See the table next page.

Microphone:  
See the table next page.

Supplied accessories:  
See page 5.

### AC power adaptor

Power requirements:  
110 — 240 V AC\*, 50/60 Hz

Power consumption:  
See the table next page.

Output voltage:  
<DC OUT>  
See the table next page.  
<Battery charge terminal>  
10 V, 1.1 A in charge mode

Application:  
Sony battery packs NP-33, NP-55, NP-60D, NP-C65, NP-68, NP-77H, NP-80/80D

Operating temperature:  
32 °F to 104 °F (0 °C to 40 °C)

Storage temperature:  
-4 °F to +140 °F (-20 °C to +60 °C)

Dimensions:  
Approx.  
4 1/8 x 1 15/16 x 2 1/2 inches (103 x 49 x 63 mm) (w/h/d) including projecting parts and controls

Mass:  
See the table next page.

Design and specifications are subject to change without notice.

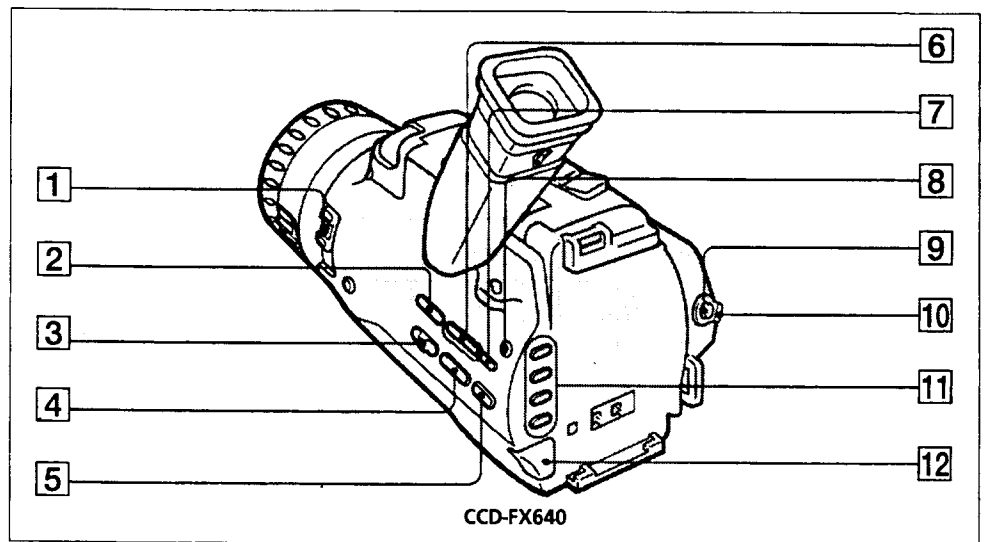
	CCD-FX240	CCD-FX340	CCD-FX640	Notes
Focal distance	7/32 — 2 5/8 inches (5.4 — 64.8 mm)		9/32 — 3 1/8 inches (6.5 — 78 mm) when recording (CCD-FX640 only)	
	1 9/16 — 18 1/2 inches (39 — 468 mm)		When converted to a 35 mm still camera 1 7/8 — 22 1/4 inches (47 — 564 mm) when recording (CCD-FX640 only)	
Minimum illumination	0.8 lux		3 lux	—
Illumination range	0.8 lux to 100,000 lux		3 lux to 100,000 lux	—
Audio output	Monaural		2 : stereo L and R	Phono jacks 327 mV, (at output impedance 47 kΩ) impedance less than 2.2 kΩ
Earphone/headphones jack	Minijack		Stereo minijack	—
MIC jack	MIC jack		Stereo minijack	0.388 mV low impedance with 2.5 to 3.0 V DC, output impedance 6.8 kΩ (ø 3.5 mm)
Average power consumption	4.9 W	5.2 W	5.7 W	During camera recording including the viewfinder
Mass	1 lb 14 oz (860 g)		1 lb 15 oz (880 g)	Excluding the battery pack, lithium battery, cassette and shoulder strap
	2 lb 5 oz (1,070 g)		2 lb 7 oz (1,100 g)	Including the battery pack NP-33 (CCD-FX240/FX340)/ NP-55 (CCD-FX640), lithium battery CR2025, cassette P6-120, and shoulder strap
Microphone	Monaural type		Stereo type	Electret condenser microphone

#### AC power adaptor

	AC-V25A	AC-V25B	AC-V25C	AC-V15	Notes
Power consumption	17 W		18 W		—
Output voltage	7.5 V, 1.5 A		7.5 V, 1.6 A		DC OUT in operating mode
Mass (Approx.)	11 oz (320 g)	10 oz (300 g)		420 g	—

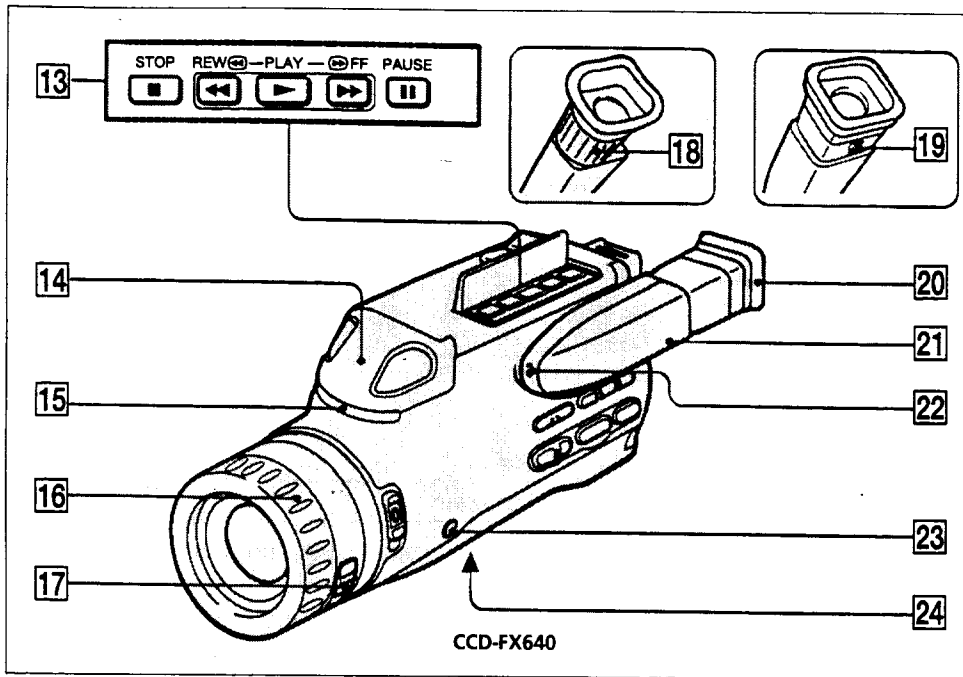
Additional Information

## Identifying the Parts



- |   |  |
|---|--|
| <b>1</b> POWER switch (p. 11, 17)                       | <b>7</b> AGE/EVENT button (p. 22)          |
| <b>2</b> EDITSEARCH button (p. 15)                      | <b>8</b> COUNTER RESET button (p. 12)      |
| <b>3</b> STEADY SHOT switch (CCD-FX640 only)<br>(p. 28) | <b>9</b> START/STOP button (p. 11)         |
| <b>4</b> PROGRAM AE button (p. 26)                      | <b>10</b> STANDBY switch (p. 11)           |
| <b>5</b> BACK LIGHT button (p. 25)                      | <b>11</b> Menu operation buttons (p. 31)   |
| <b>6</b> DATE (+) and TIME (NEXT) buttons (p. 21)       | <b>12</b> BATT (battery eject) knob (p. 8) |





**13** Tape transport buttons (p. 17)

- (stop)
- ◀ REW (rewind)
- ▶ (playback)
- ▶▶ FF (fastforward)
- || PAUSE

**14** Built-in microphone

**15** Remote sensor (p. 53)

Aim the Remote Commander here for remote control.

**16** Focus ring (CCD-FX640 only) (p. 29)

**17** Focus switch (CCD-FX640 only) (p. 29)

**18** Viewfinder lens adjustment ring (CCD-FX240) (p. 10)

**19** Viewfinder lens adjustment lever (CCD-FX340/FX640) (p. 10)

**20** Eyecup

**21** Viewfinder (p. 10)

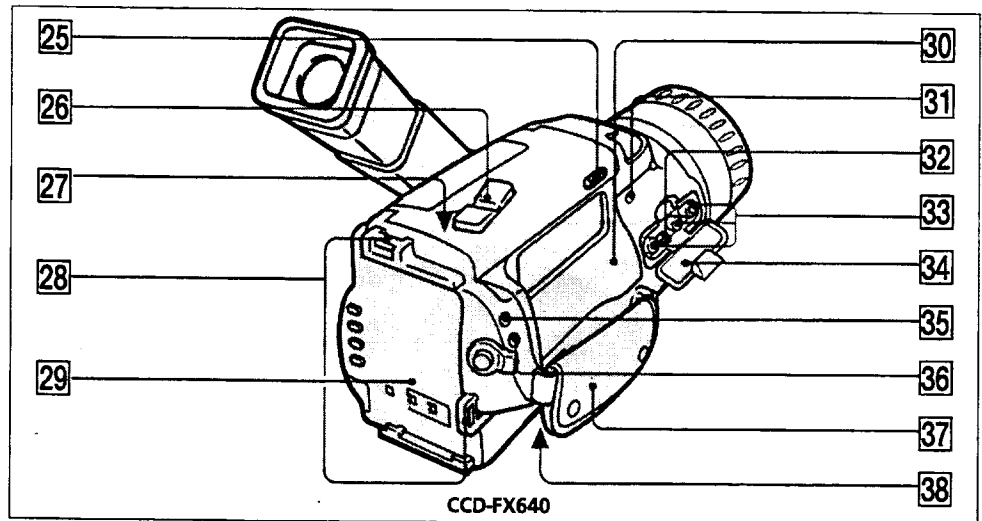
**22** Camera recording/battery lamp





**23** FADER button (p. 27)

**24** Tripod receptacle (p. 14)

Additional Information

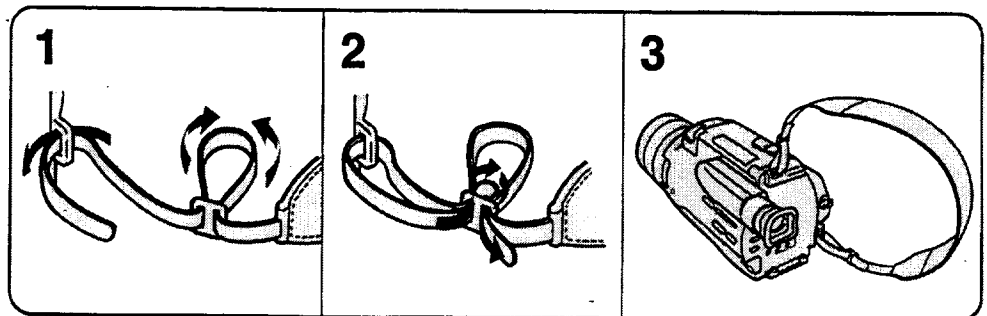
## Identifying the Parts



- |  |  |
|--|--|
| <p><b>25</b> Lid lock (p. 9)</p> <p><b>26</b> Power zoom button (p. 13)</p> <p><b>27</b> Eject button (under the cover) (p. 9)</p> <p><b>28</b> Hooks for shoulder strap (See below.)</p> <p><b>29</b> Battery mounting surface (p. 8)</p> <p><b>30</b> Cassette compartment (p. 9)</p> <p><b>31</b> MIC jack (PLUG IN POWER)<br/>Connect an optional external microphone. This jack also accepts a "plug-in-power" microphone.</p> <p><b>32</b> RFU DC OUT (RFU adaptor DC output) jack (p. 16)</p> | <p><b>33</b> Audio/Video output jacks (p. 16)</p> <p><b>34</b> Jack cover</p> <p><b>35</b> LANC  control jack<br/> stands for Local Application Control Bus System. The  control jack is used for controlling the tape transport of video equipment and peripherals connected to it. This jack has the same function as the jack indicated as CONTROL L or REMOTE.</p> <p><b>36</b>  (Earphone/Headphones) jack</p> <p><b>37</b> Grip strap (p. 14)</p> <p><b>38</b> Lithium battery compartment (p. 34)</p> |
|--|--|

## Attaching the Shoulder Strap

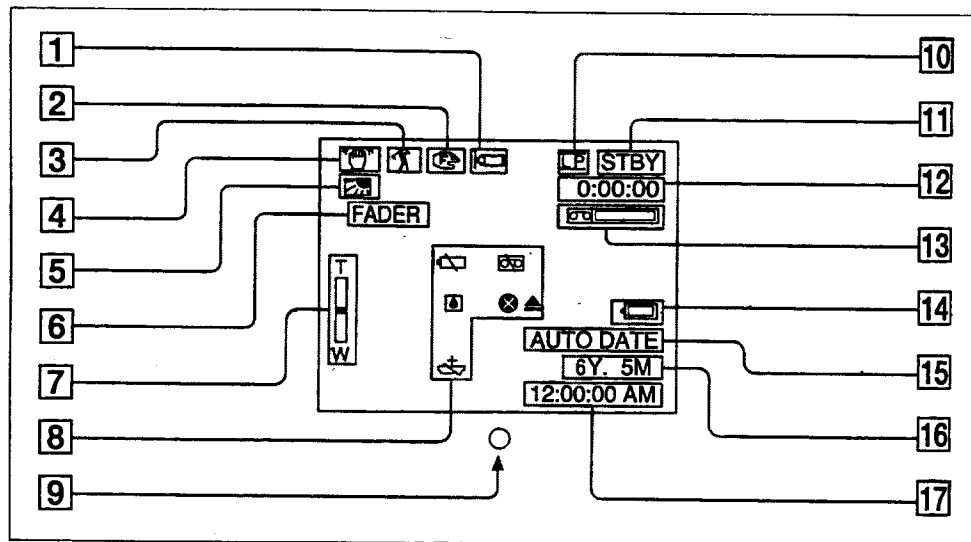
Attach the supplied shoulder strap to the hooks for the shoulder strap (**28**).



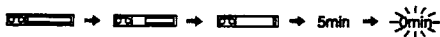

50

## Operation Indicators

For details on each indicator, refer to the pages indicated in the parentheses.



- 1** WIND (p. 32)  
For CCD-FX640 only
- 2** Manual focusing indicator (p. 29)  
For CCD-FX640 only
- 3** PROGRAM AE indicator (p. 26)
- 4** Steady Shot (p. 28)  
For CCD-FX640 only
- 5** Back Light indicator (p. 25)
- 6** FADER indicator (p. 27)
- 7** Power zoom indicator (p. 13)
- 8** Warning indicators (p. 54)
- 9** Recording lamp/Battery lamp (p. 11)
- 10** Lights up when playing back a tape recorded in LP mode.

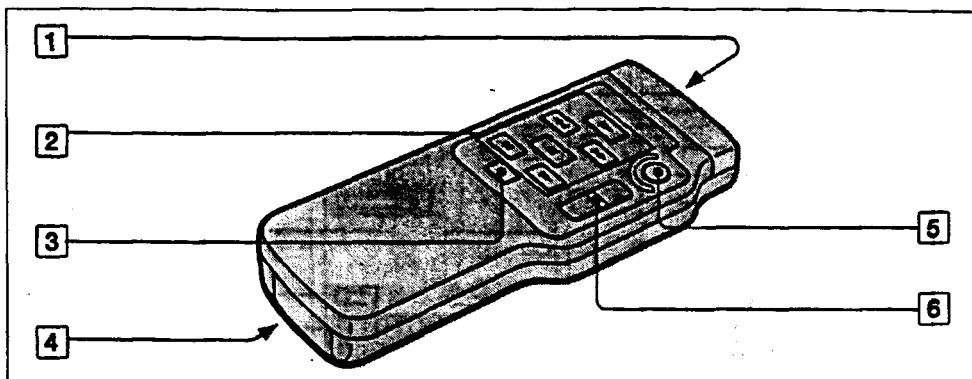
- 11** Tape transport mode (p. 11)
- 12** Tape counter (p. 12)
- 13** Remaining tape indicator  

- 14** Remaining battery indicator (p. 36, 54)  

- 15** AUTO DATE indicator (p. 11, 12)
- 16** AGE/EVENT indicator (p. 24)
- 17** Date or Time (p. 21)

Additional Information

## Identifying the Parts

### Remote Commander

The buttons that have the same name on the Remote Commander as on the camcorder function identically.

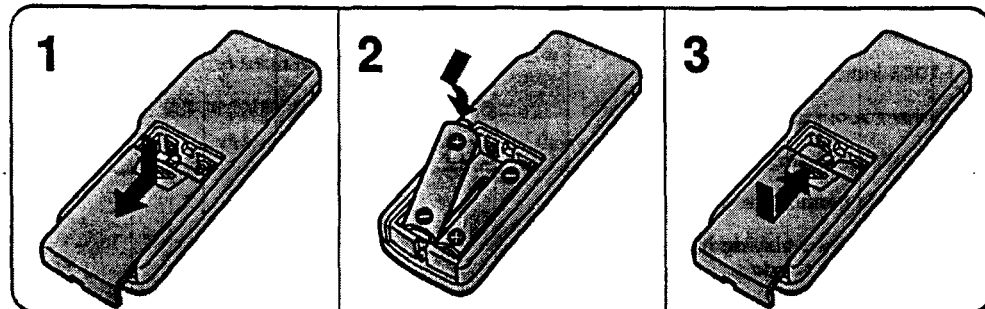


- |   |  |
|---|--|
| <b>1</b> Transmitter<br>Point toward the remote sensor to control the camcorder after turning on the POWER switch on the camcorder. | <b>4</b> Size AA (R6) battery holder   |
| <b>2</b> Tape transport buttons   | <b>5</b> START/STOP button   |
| <b>3</b> DISPLAY button   | <b>6</b> Power zoom button<br>The zooming speed is unchangeable in the Remote Commander. |

### Preparing the Remote Commander

To use the Remote Commander, you must insert two size AA (R6) batteries. Use the supplied size AA (R6) batteries.

- (1) Remove the battery cover from the Remote Commander.
- (2) Insert both of the size AA (R6) batteries with correct polarity.
- (3) Put the battery cover back onto the Remote Commander.



### Note on battery life

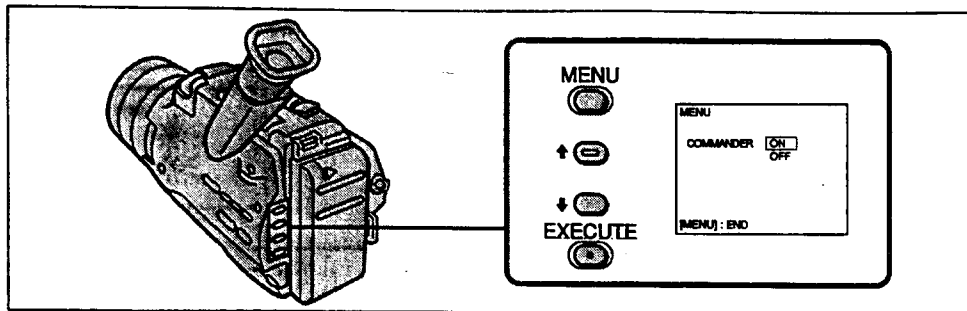
The batteries for the Remote Commander last about 6 months under normal operation. When the batteries become weak or dead, the Remote Commander does not work.

### To avoid damage from possible battery leakage

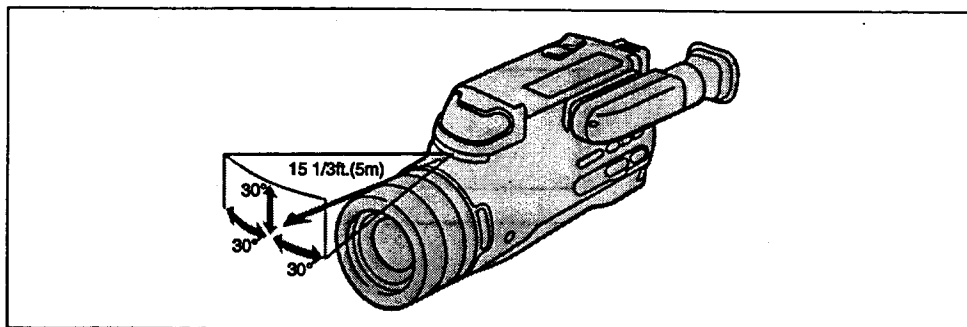
Remove the batteries when you will not use the Remote Commander for a long time.

## Using the Remote Commander

Make sure that the COMMANDER mode is set to ON in the menu system.



## Remote Control Direction



## Notes on the Remote Commander

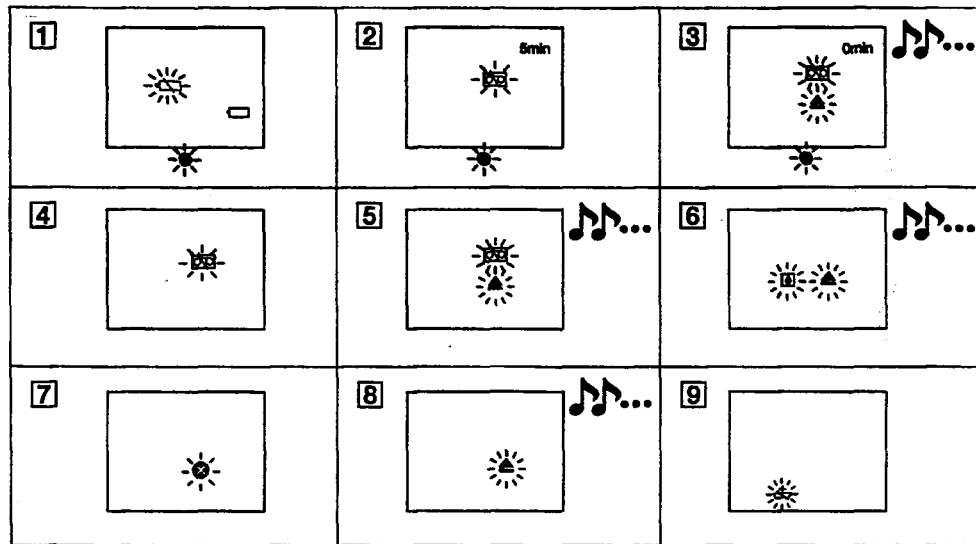
- Keep the remote sensor away from strong light sources such as direct sunlight or illumination. Otherwise, the remote control may not be effective.
- Be sure that there is no obstacle between the remote sensor and the Remote Commander.
- This camcorder works at commander mode VTR 2. The commander modes (1, 2 and 3) are used to distinguish this camcorder from other Sony VCRs to avoid remote control misoperation. If you use another Sony VCR at commander mode VTR 2, we recommend you change the commander mode or cover the remote sensor of the VCR with black paper.

Additional Information

# Indicators in the Viewfinder

## Warning Indicators

If indicators flash in the viewfinder or a caution lamp on the camcorder flashes, check the following:  
 ♪ : you can hear the beep sound when the BEEP is set to ON (CCD-FX640 only).



- 1 **The battery is weak or dead.**  
 Slow flashing: The battery is weak.  
 Fast flashing: The battery is dead.
- 2 **The tape is near the end.**  
 The flashing is slow.
- 3 **The tape has run out.**  
 The flashing becomes rapid.
- 4 **No tape has been inserted.**
- 5 **The tab on the tape is out (red).**
- 6 **Moisture condensation has occurred.** (p. 38)
- 7 **The video heads may be contaminated.** (p. 39)
- 8 **Some other trouble has occurred.**  
 Disconnect the power source and contact your Sony dealer or local authorized facility.
- 9 **The lithium battery is weak or is not installed.** (p. 34)

## Free Manuals Download Website

<http://myh66.com>

<http://usermanuals.us>

<http://www.somanuals.com>

<http://www.4manuals.cc>

<http://www.manual-lib.com>

<http://www.404manual.com>

<http://www.luxmanual.com>

<http://aubethermostatmanual.com>

Golf course search by state

<http://golfingnear.com>

Email search by domain

<http://emailbydomain.com>

Auto manuals search

<http://auto.somanuals.com>

TV manuals search

<http://tv.somanuals.com>