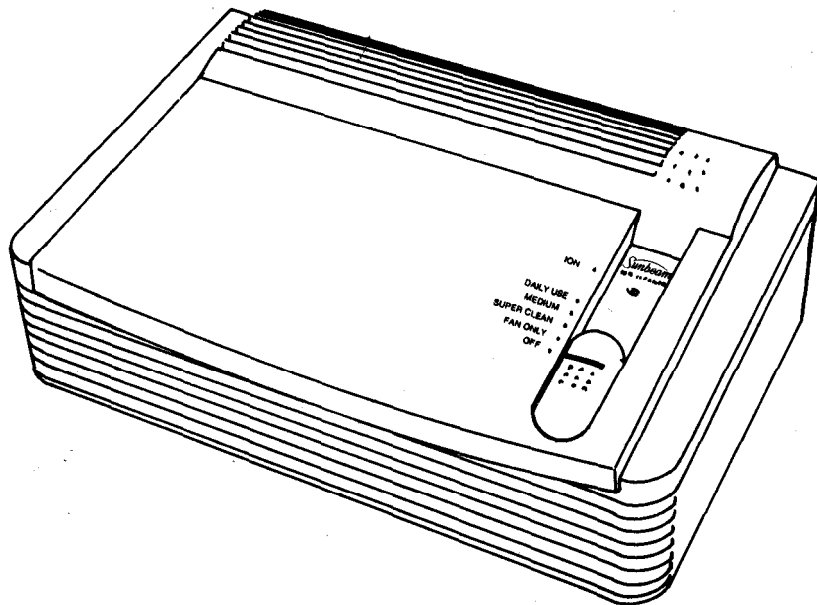


*Sunbeam*<sup>®</sup>  
MODEL 2571



**OWNER'S  
MANUAL**

*Sunbeam*<sup>®</sup>  
**900 AIR CLEANER  
AND IONIZER**

**OPERATING INSTRUCTIONS**

**CAUTION:  
READ AND  
SAVE THESE  
INSTRUCTIONS.**

*Any questions or comments?*  
**Call 1-800-526-2832**  
Mon.-Fri. 8 a.m. - 4 p.m. Central Time

## INTRODUCTION

Your Sunbeam 900 Air Cleaner has been designed to let you enjoy a refreshing experience in clean air living.

Airborne particles are removed from air passing through the unit by the process of electrostatic precipitation and an activated charcoal filter.

**NOTE: This owner's manual should be read thoroughly before your air cleaner is operated. Retain your owner's manual for future reference.**

## HOW THE SUNBEAM 900 AIR CLEANER AND IONIZER WORKS

The air around you is filled with thousands of particles of air pollution. Some of the pollutants (dust, smoke and lint) are visible to the naked eye, but most of the pollutants (pollen and bacteria, to name a few) are microscopic in size.

Polluted air enters the air cleaner through the front of the air cleaner. (Figure 1) As shown in Figure 2, the fan pulls in dirty air and the Pre-Filter (#1) traps large particles (hair, lint, etc.). The smaller particles (dust, smoke, pollen) in the dirty air receive a positive electrical charge as they pass through the ionizing section. (#2) The positively charged particles then enter the collecting section (#3) which uses a series of alternately charged aluminum plates to attract and retain the particles. It works like a powerful magnet and the particles remain there through natural adhesion until removed by the washing process. The air then passes through a charcoal filter (#4) that helps remove household odors. Next, the negative ion generator (#5) freshens stale air. Finally, electronically cleaned air passes back into the room through the top grill. (Figure 1)

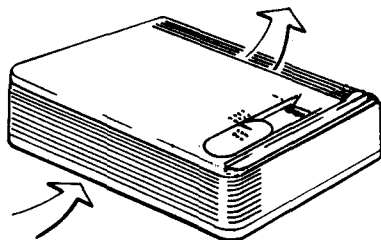


Figure 1

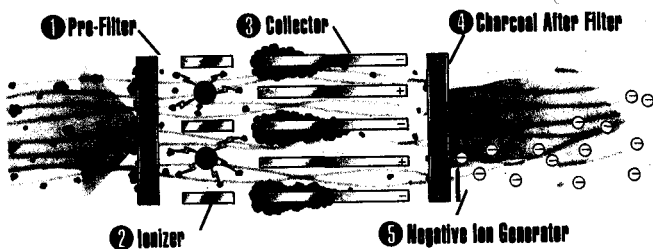


Figure 2

## LOCATION

Remove the plastic bag covering your air cleaner. Select the location for your air cleaner with electrical outlet nearby. **Do not use an extension cord to supply power to your air cleaner.** Remember, the air cleaner must be placed so that air can freely circulate into the front grill and out of the top grill. (Figure 1) Never place your air cleaner on soft surfaces (such as beds, sofas or carpet), near computers or next to sources of heat (such as stove tops, ovens, etc.).

## OPERATION

**WARNING: DO NOT USE THIS ELECTRONIC AIR CLEANER WHEN OXYGEN IS BEING USED OR WHEN COMBUSTIBLE GASES ARE PRESENT.**

Plug the cord into any standard household electrical outlet. (See data label on bottom of your air cleaner for electrical specifications and power consumption.)

Turn the unit on by sliding the ON/OFF switch to the desired speed. (DAILY USE, MEDIUM or SUPER CLEAN, Figure 3) Until your air cleaner is adequately broken in, the speed should be set on SUPER CLEAN for 1 minute initially before switching to desired speed. Your electronic air cleaner is designed for continuous operation -- **peak efficiency is obtained when the air cleaner remains on constantly. For best results, Select "DAILY USE" setting.**

The "FAN ONLY" speed is provided to assist in the dry cycle after cleaning the cell.

**NOTE:** You may notice an occasional, infrequent Sharp snapping sound coming from your unit. This is a normal occurrence called "arcing" and results as large particles of dust are collected in the ionizing-collecting cell. Should prolonged or continuous arcing occur, the Electronic Collecting Cell should be thoroughly cleaned and dried. (See "To Clean Electronic Collecting Cell".)

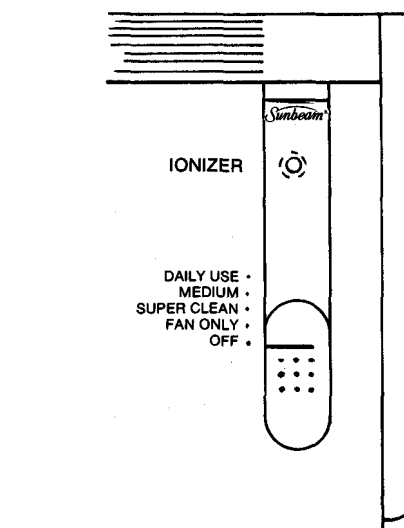


Figure 3

## CARE OF CABINET

The outside of the cabinet can be cleaned by using a soft, clean, damp cloth. Never immerse the unit in water.

### TO REMOVE ELECTRONIC COLLECTING CELL FOR CLEANING

The Electronic Collecting Cell Will need cleaning about every four to eight weeks when your air cleaner is in constant use.

Turn off the air cleaner and unplug it from the electrical power source.

Remove cabinet lid by depressing tab located under lid overhang. (See Figure 11 for exact tab placement) Slide lid forward from base and lift off. (Figure 4)

Push Cell Locking Latch (Figure 5) away from Cell while lifting Cell out of the cabinet using the two small handles on top of the Cell. (Figure 5 & Figure 6)

Slide Pre-Filter upward from the front of the Cell (Figure 7) and remove.

Slide Charcoal Filter upward from back of the Cell (Figure 6) and remove.

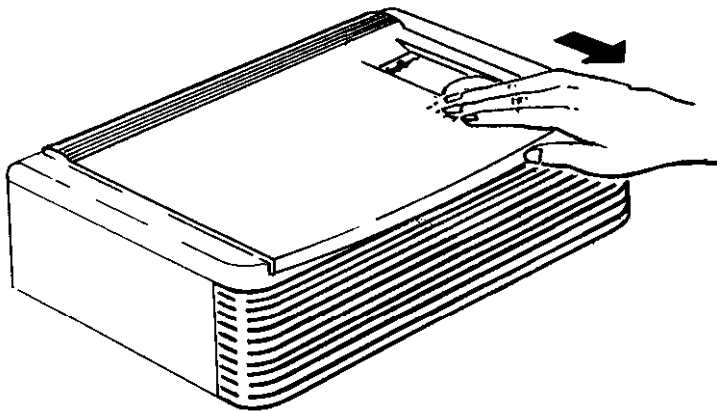


Figure 4

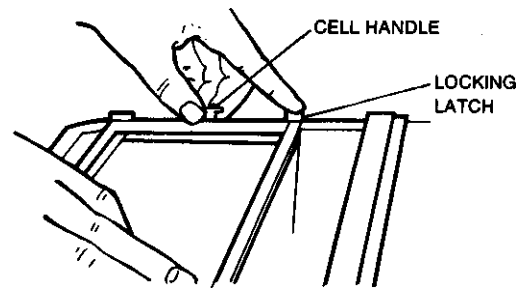


Figure 5

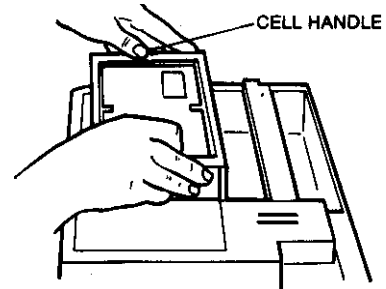


Figure 8

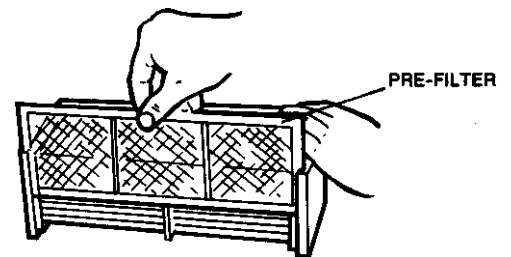


Figure 7

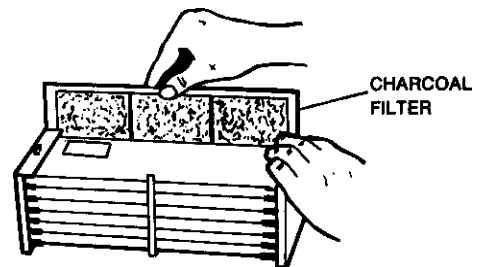


Figure 5

## REPLACEMENT OF CHARCOAL FILTER

### ACTIVATED CHARCOAL FILTER HELPS REMOVE HOUSEHOLD ODORS

Washing the Charcoal Filter with soap and water Will destroy its ability to adsorb odor.

Odor adsorption effectiveness Will gradually deteriorate and the Charcoal Filter should be replaced every three months. These filters are available in your retail store or through a reorder form enclosed with this unit.

## TO CLEAN ELECTRONIC COLLECTING CELL

**NOTE:** When handling the collecting cell, care should be taken to avoid damaging wires and metal plates. **Do not wash Charcoal Filter. Do not wash Electronic Collecting Cell in dishwasher.**

Slide out Pre-Filter located on front of the Cell. Rinse thoroughly with clean warm water. Set aside to dry.

Use dishwashing detergent and the hottest water available to make a good soaking solution.

**NOTE:** If the Cell is extremely dirty, spray the cell with a household cleaning agent such as 409, Fantastik or Lysol. Let the cell soak five (5) minutes before proceeding to washing instructions.

Completely immerse the Cell and soak for 20 to 30 minutes.

After the Cell has soaked sufficiently, it should be shaken vigorously in water until clean. (Figure 9)

Thoroughly rinse both sides of the cell. If a sprayer is available, spray with water. (Figure 10) Check to make sure the cell plates are clean. **Carefully wipe with a Q-tip and alcohol along the ionizing wires.**

Repeat the above last 3 paragraphs if necessary.

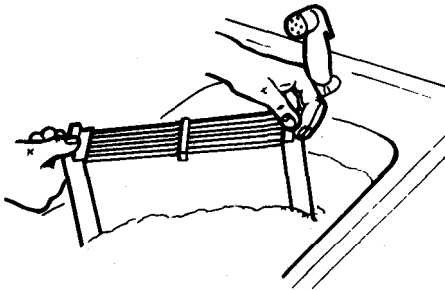


Figure 9

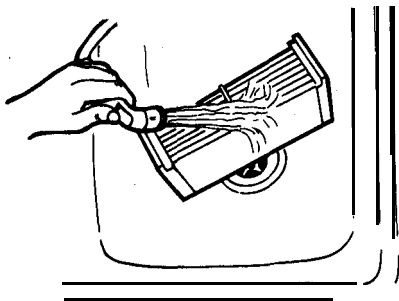


Figure 10

Shake as much water out of the cell as possible. Replace Cell in the unit as described below and operate unit in "FAN ONLY" position for a minimum of one hour to insure cell is thoroughly dry.

## TO CLEAN NEGATIVE ION GENERATOR NEEDLE

**Make sure the air cleaner is turned off and unplugged from the electric power source for approximately 1 minute before cleaning needle.**

The negative ion generator needle is located in the right rear of the air cleaner (Figure 11) and should be cleaned at least every 60 days.

Simply use cotton swab dipped in alcohol and wipe off the dirt from the needle. Using a dry cotton swab, make sure the needle is dry.

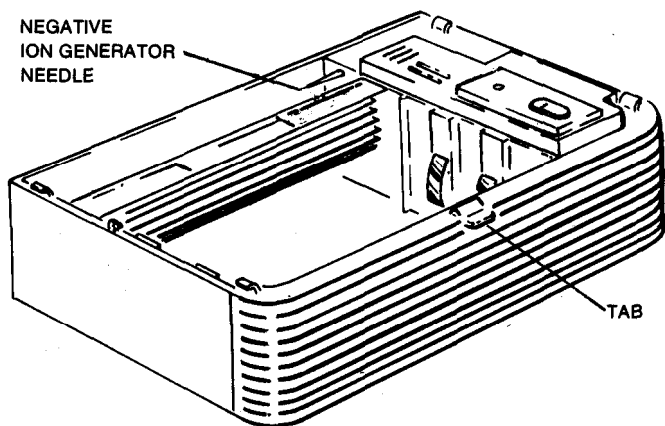


Figure 11

## TO REPLACE ELECTRONIC COLLECTING CELL AFTER CLEANING

**NOTE:** Use directions on top of Cell for proper placement of the filters into the Cell and for replacing the Cell into the unit. **Unit will not operate properly if the Cell is not replaced correctly.**

Slide the Pre-Filter in the slots provided in the front of the Cell. (Figure 12)

Slide the Charcoal Filter in the slots provided in the back of the Cell. (Figure 13)

Using the cell handles (Figure 14), align the Cell with the ribs (Figure 14) on the inside cabinet wall. Gently slide Cell into place.

## TO REPLACE CABINET TOP

Replace the cabinet top by positioning over the unit. (Figure 15) Gently slide top forward until the top drops into place. (Figure 16) Slide top backward until flush with the back of the unit. (Figure 17)

Operate the unit in "FAN ONLY" position for a minimum of one hour to insure the cell is thoroughly dry.

**NOTE:** An occasional "arcing" sound is normal when operating the unit immediately after cleaning the Cell and should stop after a few minutes of operation. If cleaning the Cell does not alleviate excessive arcing, refer to the Troubleshooting Section on page 5.

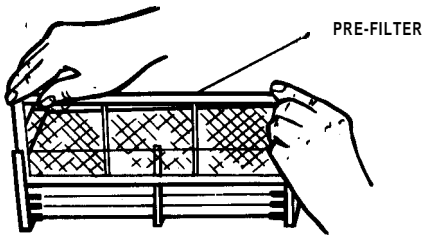


Figure 12

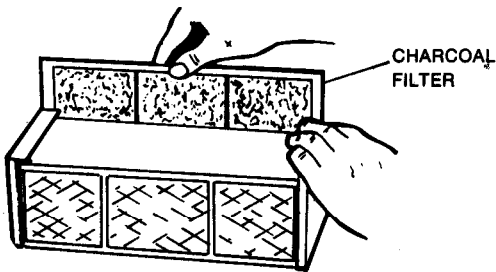


Figure 13

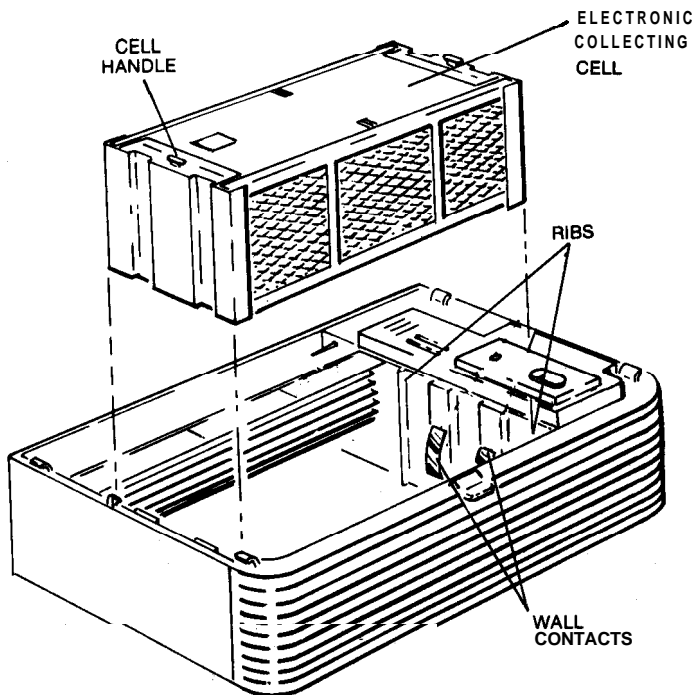


Figure 14

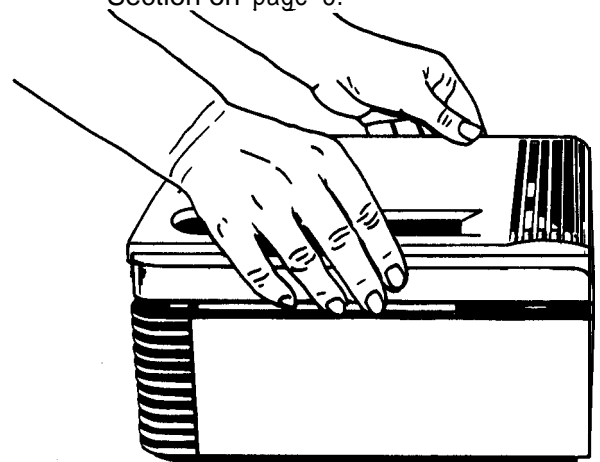


Figure 15

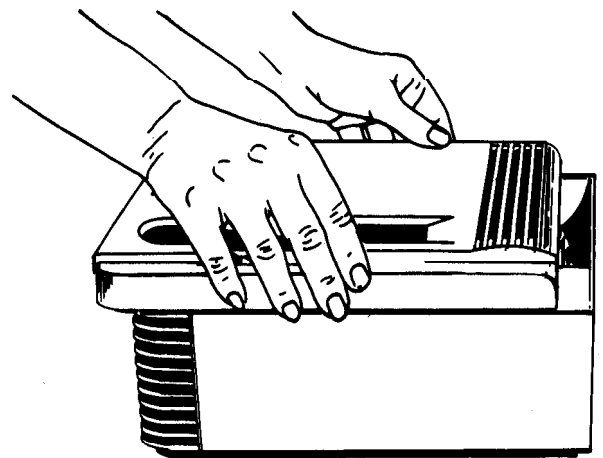
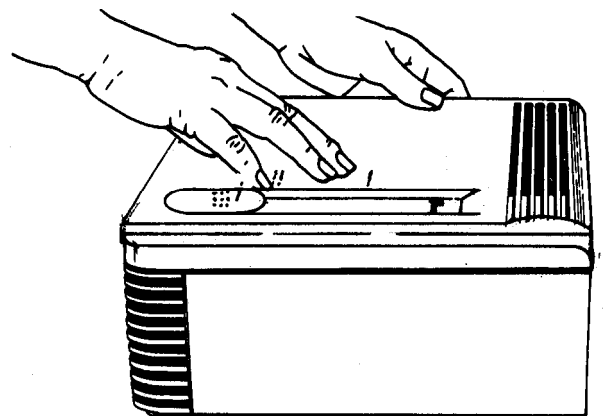


Figure 16



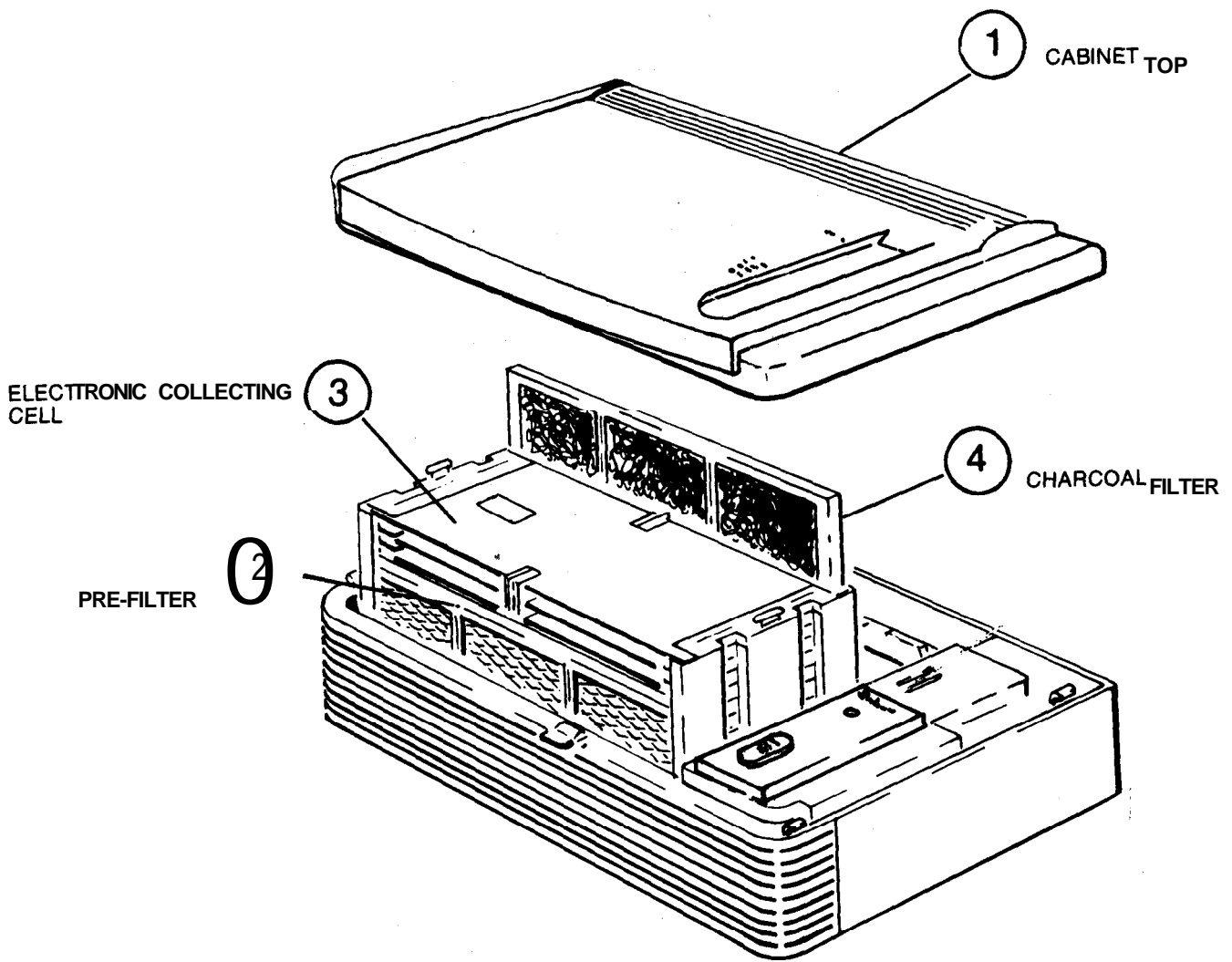
## TROUBLESHOOTING CHECKLIST

Many times service problems that appear to be major can be solved easily. The chart below lists potential problems and how to correct them. Remember, check the simple things first.

CONDITION	WHAT TO CHECK	WHAT TO DO
Unit arcs, sparks or pops	Electronic Collecting Cell 1. Is Cell cleaned thoroughly? Heavy deposits of tar & nicotine may require a stronger cleaner such as 409 or Fantastik. 2. Is Cell completely dry? 3. Is Cell positioned properly? 4. Check for broken wires or bent plates 5. Are electrical contacts clean and free of mineral deposit buildup? 6. Are wall contacts slightly bent upwards?	1. Clean Cell; consult cleaning instructions. Clean wires with a Q-tip and alcohol.  2. Dry Cell; Operate unit on "FAN ONLY" speed until Cell is completely dry. 3. Be sure Cell is positioned properly, not in backwards, and is completely in place (making good contact). 4. One complete wire may be removed without affecting operation. Straighten bent plates if possible. 5. Remove electrical contacts from Cell, clean thoroughly and replace. Clean wall contacts. 6. Be sure wall contacts are slightly bent upward and Cell is positioned against contacts. (Ref. Fig. 14)
	Negative Ion Generator Needle	Reposition needle towards back wall of unit by pressing front center of needle backwards.
Machine will not operate	Power Cord	Plug power cord into electrical outlet.
	Electrical Outlet	Check for power to the electrical outlet. Plug a table lamp into the electrical outlet to ensure power availability.
	Cabinet Top	Cabinet Top must be replaced properly to activate safety switch. Unit will not operate with top removed.
	Speed Selection Switch	Turn Slide Switch to desired speed.
	Blower Wheel	If blower wheel will not rotate, return unit to Appliance Service Station, Hattiesburg, MS, for service. See Warranty Information on back cover for address.
Interference with radio and TV	Electrical Outlet	Move unit to a different location away from TV or radio. Do not operate unit on the same electrical outlet as TV or radio.
	Electronic Collecting Cell	1. Clean Cell if dirty. 2. Be sure Cell is positioned against wall contacts and not in backwards.
	Negative Ion Generator Needle	Reposition needle towards back wall of unit by pressing front center of needle back.
Unit is not removing pollutants	Speed Selection Switch	Operate unit in any position except "OFF" and "FAN ONLY".
	Unit	1. Operate unit continuously, not occasionally. 2. Check location of unit. Be sure that intake and exhaust areas of unit are not blocked.
	Electronic Collecting Cell	1. Clean Cell; Operate unit for 1 week and clean Cell again. Notice the "dirt" washed away from Cell. 2. Check for broken wires. If more than 1 wire is broken, cell will need to be replaced.
No longer notice "fresh smell"	Negative Ion Generator Needle	Clean Negative Ion Generator Needle per cleaning instructions.
	Charcoal After-Filter	Replace Charcoal Filter.
Machine still does not operate properly	Recheck the above points.	Return unit to Appliance Service Station, MS, for service. See Warranty Information on back cover for address.

### NOTES:

1. Discoloration of aluminum collector cell plates is normal with use, even after cleaning.
2. Blowing smoke directly into the front grill is not a good test for unit performance.



## REPLACEMENT PARTS

Key Number	Part Number	Description
1	344950-001	Cabinet Top
2	342480-001	Pre-Filter
3	442415-001	Electronic Collecting'cell
4	6571	Charcoal Filter (Set of 2)

To order Replacement Parts, write to Appliance Service Center, P.O. Box  
MS, 39475.

Purvis,

*Sunbeam*<sup>®</sup>

**MODEL 2571**

# **OWNER'S MANUAL**

*Sunbeam*

## **900 AIR CLEANER AND IONIZER**

### **LIMITED ONE YEAR WARRANTY STATEMENT**

This product is warranted for one year from the date of purchase against electrical and mechanical defects in material and workmanship. If the unit fails to operate during this period, return it, prepaid, to Appliance Service Station, 117 Central Industrial Row, Purvis, Mississippi, 39475, for repair or replacement without charge at the manufacturer's option. This warranty gives you specific legal rights, and you may also have other rights which vary from state to state.

Warrantor: Sunbeam-Oster Household Products

Made in America



## Free Manuals Download Website

<http://myh66.com>

<http://usermanuals.us>

<http://www.somanuals.com>

<http://www.4manuals.cc>

<http://www.manual-lib.com>

<http://www.404manual.com>

<http://www.luxmanual.com>

<http://aubethermostatmanual.com>

Golf course search by state

<http://golfingnear.com>

Email search by domain

<http://emailbydomain.com>

Auto manuals search

<http://auto.somanuals.com>

TV manuals search

<http://tv.somanuals.com>