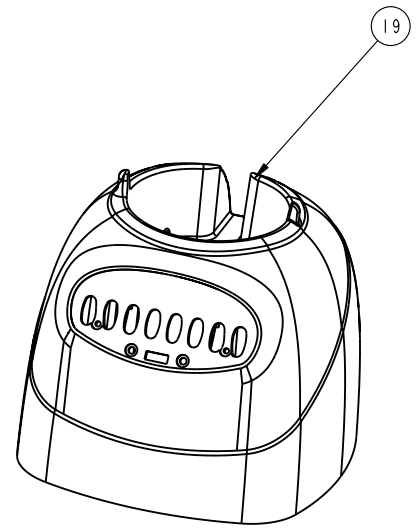
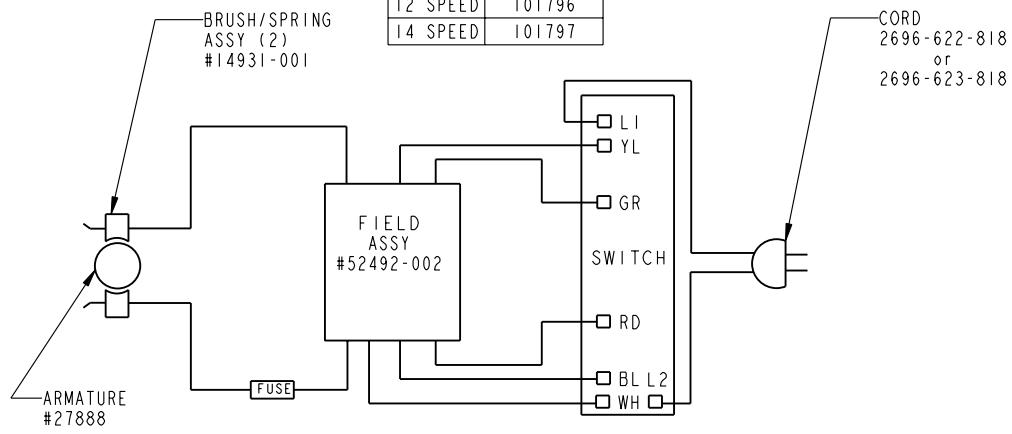


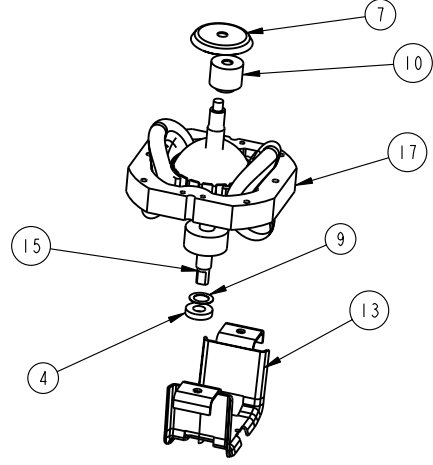
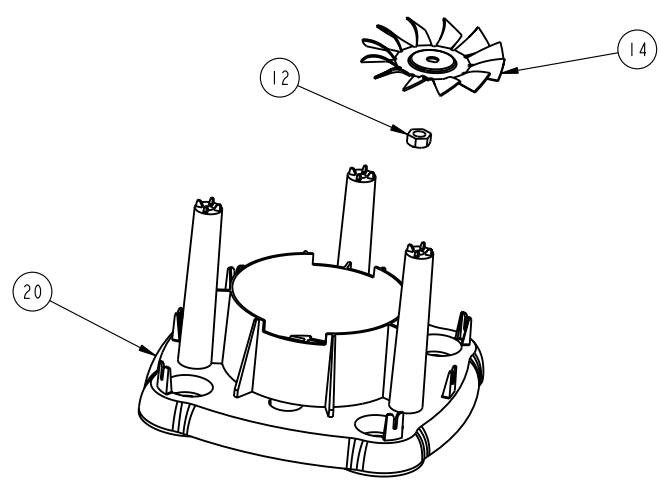
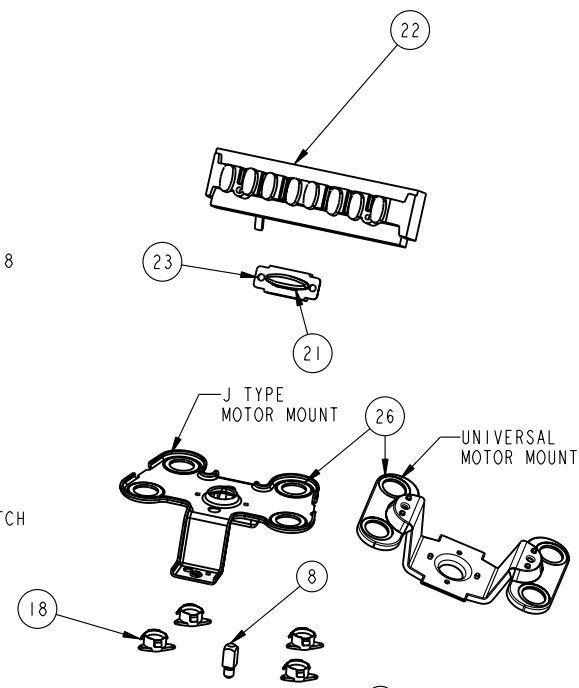
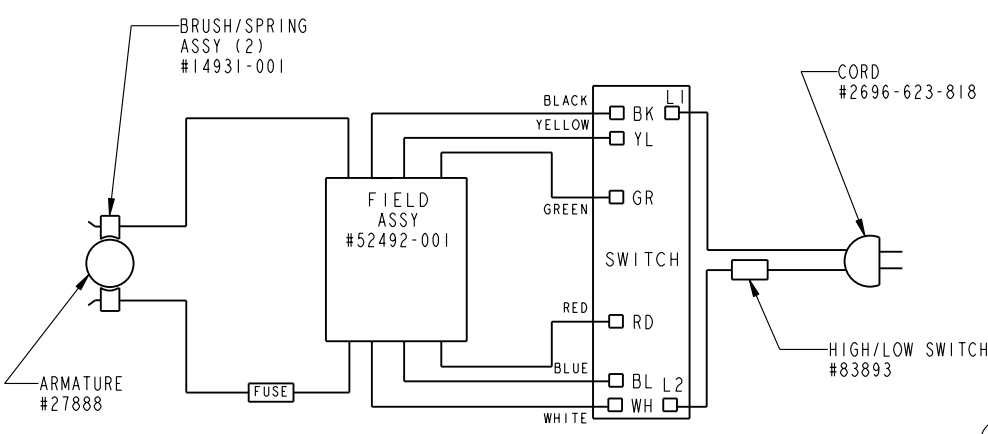


**J TYPE PARTS:** There are some of our Blenders with this parts. Please check the exploded view below to identify. Please see the motor mount to identify the J type. Parts with (\*) are NOT interchangeable with the others of same description. To replace the old motor ( J type) use the new motor (see service manual) and use the old motor mount to be able

BLENDER	SWITCH
10 SPEED	101795
12 SPEED	101796
14 SPEED	101797



BLENDER	SWITCH
12 SPEED	83882
14 SPEED	83883-001



## Free Manuals Download Website

<http://myh66.com>

<http://usermanuals.us>

<http://www.somanuals.com>

<http://www.4manuals.cc>

<http://www.manual-lib.com>

<http://www.404manual.com>

<http://www.luxmanual.com>

<http://aubethermostatmanual.com>

Golf course search by state

<http://golfingnear.com>

Email search by domain

<http://emailbydomain.com>

Auto manuals search

<http://auto.somanuals.com>

TV manuals search

<http://tv.somanuals.com>