

Sunbeam

Salon Finish Mobile Straightener

Instruction Booklet
HS6700



Download from www.Somanuals.com All Manuals Search And Download.
Please read these instructions carefully and retain for future reference.

Contents

Sunbeam's Safety Precautions	3
Features of your Mobile Straightener	4
Using your Mobile Straightener	6
Help Line	7
Care and Cleaning	8
Battery Disposal	9

تأكد من تفهم احتياطات السلامة المذكورة اعلاه

請務必理解上述的安全預防措施。

Assurez-vous que les précautions ci-dessus relatives à la sécurité sont bien comprises

Versichern Sie sich daß die obenstehenden Sicherheitsmaßnahmen Verstanden werden

Βεβαιώνετε πως οι παραπάνω προφυλάξεις ασφαλείας γίνονται κατανοητές

Pastikan bahwa tindakan-tindakan keselamatan seperti di atas dimengerti anda

Accertatevi che le suddette norme di sicurezza siano comprese a dovere

上記の注意事項をよくお読みになり、安全を御確認ください

Уверете се дека погоре споменатите мерки на претпазливост се добро разбрани

Asegúrese de que las precauciones de seguridad precedentes sean bien comprendidas

کاری بکنید کہ احتیاطهای بالا حتماً درک بشوند

ต้องแน่ใจว่า ข้อควรระวังเรื่องความปลอดภัยข้างต้น
เป็นที่เข้าใจกันดี

Yukarda belirtilen güvenlik önlemlerinin anlaşıldığından emin olunuz

Xin kiểm chắc rằng những biện pháp làm an toàn kể trên được hiểu rõ

Sunbeam's Safety Precautions

SAFETY PRECAUTIONS FOR YOUR SUNBEAM MOBILE STRAIGHTENER

- This hairstyler must not come into contact with water or any other liquid.
- Always switch off your hairstyler at the power outlet and remove the plug when not in use.
- Do not store your hairstyler near tubs, basins, baths or other vessels containing water or any other liquid.
- When the hairstyler is used in the bathroom, unplug it after use as the proximity of water presents a hazard even when the unit is switched off.
- Do not touch heating plates when in use as they will become extremely hot.
- Use only those adapters supplied with your mobile straightener.
- A rubber stopper is provided with you straightener. If the appliance is to be kept in your handbag or other bag or near metal objects, please ensure that the rubber stopper is in place to protect the charging connector.

If you have any concerns regarding the performance and use of your appliance, please visit www.sunbeam.com.au or contact the Sunbeam Consumer Service Line.

Ensure the above safety precautions are understood.

Sunbeam's Safety Precautions

Sunbeam are very safety conscious when designing and manufacturing consumer products, but it is essential that the product user also exercise care when using an electrical appliance. Listed below are precautions which are essential for the safe use of an electrical appliance:

- Read carefully and save all the instructions provided with an appliance.
- Always turn the power off at the power outlet before you insert or remove a plug. Remove by grasping the plug - do not pull on the cord.
- Turn the power off and remove the plug when the appliance is not in use and before cleaning.
- Do not use your appliance with an extension cord unless this cord has been checked and tested by a qualified technician or service person.
- Always use your appliance from a power outlet of the voltage (A.C. only) marked on the appliance.
- Close supervision is necessary when your appliance is being used near children or infirm persons.
- Never leave an appliance unattended while in use.
- Young children should be supervised to ensure that they do not play with the appliance.
- Do not use an appliance for any purpose other than its intended use.

Sunbeam's Safety Precautions continued

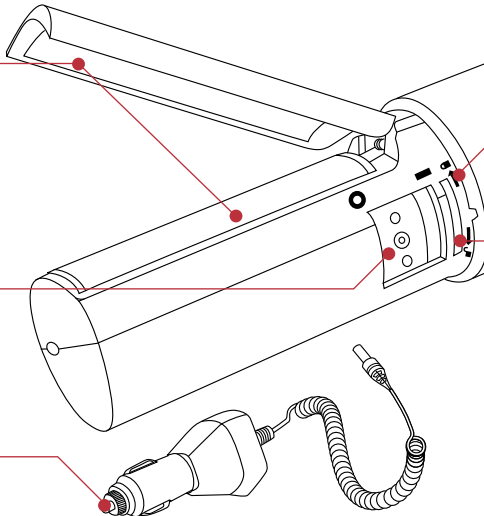
- Do not place an appliance on or near a hot gas flame, electric element or on a heated oven. Do not place on top of any other appliance.
- Do not let the power cord of an appliance hang over the edge of a table or bench top or touch any hot surface.
- For safety reasons and to avoid maintenance by unskilled persons, some appliances are 'sealed' using tamperproof screws. Such appliances should always be returned to the nearest Sunbeam Appointed Service Centre for adjustment or repair if required.
- Do not operate any electrical appliance with a damaged cord or after the appliance has been dropped or damaged in any manner. If damage is suspected, return the appliance to the nearest Sunbeam Appointed Service Centre for examination, repair or adjustment.
- For additional protection, Sunbeam recommend the use of a residual current device (RCD) with a tripping current not exceeding 30mA in the electrical circuit supplying power to your appliances.
- Do not immerse the appliance in water or any other liquid unless recommended.

Features of your Mobile Straightener

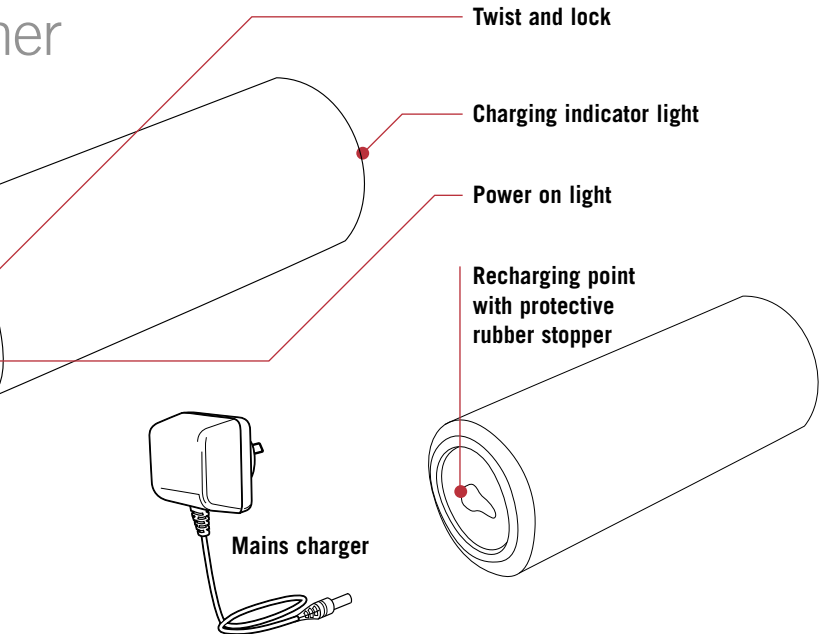
Straightening plates

**On/off switch with
automatic switch off**

Car charger



ner



Using your Mobile Straightener

Your Mobile Straightener has been designed to retouch your style on the move and should be used when your straightened hair needs a touch up. The appliance achieves a maximum of 30 minutes use once fully charged.

Charging & discharging the batteries

- A new battery's full performance is only achieved after two or three complete charge and discharge cycles. For the first three uses of your straightener, allow to fully discharge before recharging.
- For all subsequent uses, you not need to fully discharge before you can recharge.
- When a charger is not in use, disconnect it from the power source.
- Do not leave the mobile straightener connected to a charger for more than 24 hours as this may shorten the battery life.
- If left unused, a fully charged battery will discharge itself over time.
- The appliance can be used when connected to the mains.
- The first time you charge the battery, it will require charging for 8 hours.
- After the first use, it will only take 4 hours to recharge.

Using your Mobile Straightener

IMPORTANT: After charging, ensure that the rubber stopper is in place to cover the charging connection.

Using the Mobile Straightener

- To open, push the centre section of the straightener upwards.
- Switch on by sliding the on/off switch to position I. The power on light will come on to show that the unit is working.
- Slide the barrel three quarters of the way back into its casing. The plates need to be closed whilst they heat up. This will take about 5 minutes. Please note that the outer plate is not heated up directly.

- Slide the barrel upwards and fully out of the casing and twist to lock in place.

IMPORTANT: The appliance will automatically switch off as soon as the straightener is pushed back into the casing.

Retouching your Hair Style

- Take small sections of hair and clamp inside the plates.
- You can clamp it over or under the sectioned pieces of hair as your style requires.
- Use your fingers to hold the outer plate closed over your hair.
- Repeat as necessary.

Help Line

If you have any additional questions about using the Mobile Straightener, please call the Sunbeam help line in Australia on 1800 025 059. In New Zealand, please call 0800 786 232

Care and Cleaning

- Switch off after use, allow to cool and close the appliance.
- Do not leave turned on as charge will be lost and the batteries will go flat.
- To close, twist to unlock and push back into the barrel.
- The straightening plates and the outside of the styler can be wiped with a damp cloth. Ensure that the styler is completely dry before storing.
- Ensure the rubber stopper is in place before storing.
- Store in a dry place.

Battery Disposal

- Nickel metal hydride batteries are used in this appliance and are not replaceable.
- When the batteries have reached the end of their useful life they must be returned to a Sunbeam Service Centre for correct disposal.
- The batteries must be removed from the appliance before it is scrapped and must be disposed of safely.
- Ensure that the appliance is disconnected from the power supply when removing the battery.

'Sunbeam', is a registered trademark of Sunbeam Corporation. Made in China. Due to minor changes in design or otherwise, the product may differ from the one shown in this leaflet. Backed by Sunbeam's 2 Year Replacement Guarantee and National Service Network.

© Copyright. SUNBEAM CORPORATION LIMITED 2004.

(INCORPORATED IN N.S.W.) A.C.N. 000 006 771

Sunbeam Corporation is a division of GUD Holdings Ltd.

For more information or advice on this or any other Sunbeam appliance, visit www.sunbeam.com.au or contact the Sunbeam Consumer Service Line.

Australia 1800 025 059 New Zealand 0800 786 232.

The Sunbeam logo features the word "Sunbeam" in a white, elegant cursive script. The text is set against a dark red rectangular background. A thin white arc is positioned above the letters, starting from the 'S' and ending at the 'm', which helps to define the brand's identity.

Consumer Hotline

Australia

1800 025 059

New Zealand

0800 786 232

www.sunbeam.com.au

A smaller version of the Sunbeam logo, consisting of the word "Sunbeam" in white cursive on a dark red background, with a white arc above it.

is a registered Trademark of Sunbeam Corporation Limited. ACN 000 006 771.

© Sunbeam Corporation Limited 2004.

Download from Www.Somanuals.com. All Manuals Search And Download.

Free Manuals Download Website

<http://myh66.com>

<http://usermanuals.us>

<http://www.somanuals.com>

<http://www.4manuals.cc>

<http://www.manual-lib.com>

<http://www.404manual.com>

<http://www.luxmanual.com>

<http://aubethermostatmanual.com>

Golf course search by state

<http://golfingnear.com>

Email search by domain

<http://emailbydomain.com>

Auto manuals search

<http://auto.somanuals.com>

TV manuals search

<http://tv.somanuals.com>