

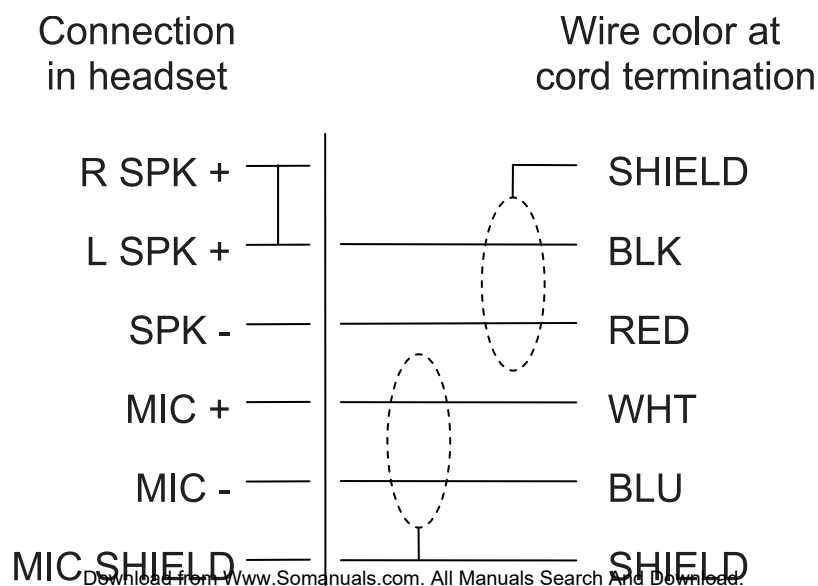


HD-3A

Dual-Sided Headset with 21dB NRR, Flexible Dynamic Boom Mic, & A4F Connector

The HD-3A is a dual-sided monaural hearing protector type headset with noise-canceling dynamic microphone. EPA rated NRR of 21 dB. The polyurethane earcups house 150Ω dynamic elements and feature an easily adjustable headband. The 6' cord is coiled for tangle-free use.

Wiring Diagram



HD-3A Specifications

Connector Termination

XLR 4-pin Female coiled cord

Type

Dual Sided Monaural

Mic Type

Dynamic Noise-Canceling

Mic Sensitivity

-65dBV/Pa @1cm

Mic Frequency Range

200Hz - 6kHz

Mic Impedance

150Ω

Speaker Sensitivity

95dB SPL @3kHz, 1mW

Speaker Frequency Range

1kHz - 10kHz

Speaker Impedance

150Ω

Weight

17oz. (not including cord)

Cord Length

1.75 ft. retracted, 9 ft. extended

Contact Information

Telex Communications, Inc.
12000 Portland Avenue South
Burnsville, Minnesota 55337
Telephone: 877-863-4169
Fax: (800) 323-0498

Form Number: 38109-211 Rev C

Date: December, 2007

Ordering Information**HD-3A**

Dual-Sided Headset with 21dB NRR, Flexible Dynamic Boom Mic, & A4F Connector
Catalog Number: 63700-011

This specifications information is preliminary and is subject to change without notification.

Brand names mentioned are the property of their respective companies.

Free Manuals Download Website

<http://myh66.com>

<http://usermanuals.us>

<http://www.somanuals.com>

<http://www.4manuals.cc>

<http://www.manual-lib.com>

<http://www.404manual.com>

<http://www.luxmanual.com>

<http://aubethermostatmanual.com>

Golf course search by state

<http://golfingnear.com>

Email search by domain

<http://emailbydomain.com>

Auto manuals search

<http://auto.somanuals.com>

TV manuals search

<http://tv.somanuals.com>