

FACTORY SERVICE

All equipment returned for repair must be accompanied by documentation stating your return address, telephone number and proof of date of purchase, along with a description of the problem.

Return equipment to:

Factory Service Department
Telex Communications, Incorporated
West 1st Street
Blue Earth, MN 56013 U.S.A.

Warranty Repairs - If in warranty, no charge will be made for the repairs. Equipment being returned for warranty repair must be sent prepaid and will be returned prepaid.

Non-Warranty Repairs - Equipment that is not under warranty must be sent prepaid. If requested, an estimate of repair costs will be issued prior to service. Once your approval for repair, and repair of equipment is completed, the equipment will be returned on a collect basis. Collect charges may be avoided by sending a signed check for payment in full along with your signed estimate approval form (the estimate includes the shipping charge.)

CUSTOMER SUPPORT

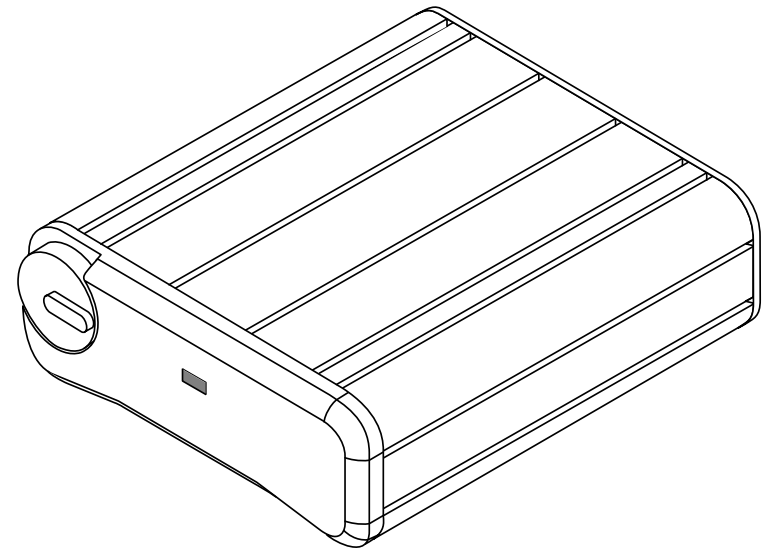
Technical questions should be directed to:

Customer Service Department
Telex Communications, Inc.
12000 Portland Avenue South
Burnsville, MN 55337 U.S.A.

Telephone: (952) 884-4051
Fax: (800) 323-0498

Telex[®]

Operating Instructions



IFB-1000 Belt Pack *Audiocom*[®] Intercom System

GENERAL

The Audiocom® IFB-1000 is a one-channel listen only IFB belt pack.

OPERATION

SYSTEM POWER

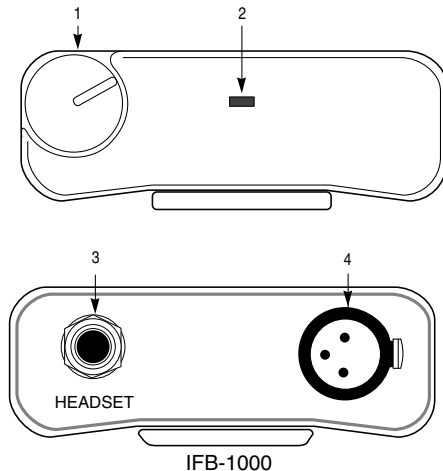
The IFB-1000 belt pack receives power externally, via the intercom channel.

IFB-1000 SETUP

The channel termination is set for balanced operation, which is compatible with other Audiocom equipment.

The headset/earset jack is set for 150 ohm operation.

EXTERNAL CONNECTIONS & CONTROLS



1. Volume Control.
Use this control to adjust the headset/earset listen level.
2. On Indicator
This LED glows green when the belt pack is connected to an intercom channel that is functioning.
3. Headset Connector
This connector accepts a wide-response earset, such as the Telex EMV-2 (catalog number 60194-001), with a 1/4" monaural phone plug.
4. Intercom Channel Connectors
The IFB-1000 intercom channel is connected via a 3-pin female connector. The IFB-1000 is powered from the intercom system power supply and will turn on with the intercom system.

CONNECTOR PIN CONFIGURATIONS

HEADSET CONNECTOR

Type: 1/4" Monaural Plug
Sleeve Headset audio low
Tip Headset audio high

INTERCOM CHANNEL CONNECTORS

Type: XLR-3F
Pin 1 Common
Pin 2 Intercom audio and +24 VDC input
Pin 3 Intercom audio and +24 VDC input

SPECIFICATIONS

GENERAL:

Channel Supplied Power Requirements:

+24 VDC nominal (standard Audiocom line), 50 to 80 mA

Environmental Requirements:

Storage: -20°C to 80°C; 0% to 95% humidity, non-condensing
Operating: 0°C to 50°C; 0% to 95% humidity, non-condensing

Dimensions:

3.25" (82.6 mm) H x 3.5" (88.9 mm) W x 1.8" (45.7 mm) D

Weight:

1.0 pounds (0.45 kg)

INTERFACE REQUIREMENTS:

Earset:

150 to 600 ohm headphones

Balanced Intercom Channel Level & Impedance:

1 Vrms nominal; 300 ohms $\pm 5\%$

Noise Contribution:

Less than -60 dB on the line.

HEADPHONE AMPLIFIER:

Voltage Gain:

27 ± 3 dB from the line

Maximum Output:

60 mW into 150 ohms

Frequency Response:

200 Hz to 8 kHz +1/-3 dB

Free Manuals Download Website

<http://myh66.com>

<http://usermanuals.us>

<http://www.somanuals.com>

<http://www.4manuals.cc>

<http://www.manual-lib.com>

<http://www.404manual.com>

<http://www.luxmanual.com>

<http://aubethermostatmanual.com>

Golf course search by state

<http://golfingnear.com>

Email search by domain

<http://emailbydomain.com>

Auto manuals search

<http://auto.somanuals.com>

TV manuals search

<http://tv.somanuals.com>