

PAM-32

User Guide

Up to and including firmware version 1.1.1



PROPRIETARY NOTICE

The product information and design disclosed herein were originated by and are the property of Telex Communications, Inc. Telex reserves all patent, proprietary design, manufacturing, reproduction, use and sales rights thereto, and to any article disclosed therein, except to the extent rights are expressly granted to others.

COPYRIGHT NOTICE

Copyright 2006 by Telex Communications, Inc. All rights reserved. Reproduction, in whole or in part, without prior written permission from Telex is prohibited.

WARRANTY NOTICE

See the enclosed warranty card for further details.

CUSTOMER SUPPORT

Technical questions should be directed to:

Customer Service Department
RTS/Telex Communications, Inc.
12000 Portland Avenue South
Burnsville, MN 55337 USA
Telephone: 800-392-3497
Fax: 800-323-0498
Factory Service: 800-553-5992

RETURN SHIPPING INSTRUCTIONS

Customer Service Department
Telex Communications, Inc (Lincoln, NE)
Telephone: 402-467-5321
Fax: 402-467-3279
Factory Service: 800-553-5992

Please include a note in the box which supplies the company name, address, phone number, a person to contact regarding the repair, the type and quantity of equipment, a description of the problem and the serial number(s).

SHIPPING TO THE MANUFACTURER

All shipments of product should be made via UPS Ground, prepaid (you may request from Factory Service a different shipment method). Any shipment upgrades will be paid by the customer. The equipment should be shipped in the original packing carton. If the original carton is not available, use any suitable container that is rigid and of adequate size. If a substitute container is used, the equipment should be wrapped in paper and surrounded with at least four (4) inches of excelsior or similar shock-absorbing material. All shipments must be sent to the following address and must include the Proof of Purchase for warranty repair. Upon completion of any repair the equipment will be returned via United Parcel Service or specified shipper, collect.

Factory Service Department
Telex Communications, Inc.
8601 Cornhusker Hwy.
Lincoln, NE 68507 U.S.A.
Attn: Service

This package should include the following:

Table of Contents

CHAPTER 1

<i>Introduction</i>	3
<i>PAM-32 Production Audio Monitor</i>	3
<i>General Description</i>	3
<i>Features</i>	3
<i>Connections</i>	4
<i>Keypanel Connections</i>	4
<i>Specifications</i>	5
<i>General</i>	5
<i>Connectors (other connector options available)</i>	5

CHAPTER 2

<i>Installation</i>	7
<i>Option DIP Switch Settings</i>	7
<i>Power Up</i>	8
<i>Setup Menu</i>	8
<i>Address Switch Setting - General Information</i>	8
<i>Address Setting for Zeus</i>	9
<i>Address for ADAM CS</i>	9
<i>Address Setting for Adam</i>	9
<i>PAM-32 Addressing</i>	9
<i>Operation</i>	9
<i>Listen Key Operation</i>	9

CHAPTER 3

<i>Basic Operation</i>	13
<i>Screen Saver Operation</i>	13
<i>Selecting Headset or Speaker</i>	13
<i>Listen Volume Adjustments</i>	13
<i>Intercom Keys and Displays</i>	14
<i>Alphanumeric Display Indications for Intercom Keys</i>	14

CHAPTER 4

<i>PAM-32 Menu System</i>	15
<i>Menu System, Menu Access</i>	15
<i>Menu System, Display Menu</i>	15
<i>Display Menu, Asgn Type</i>	15
<i>Display Menu, Chans On</i>	15
<i>Display Menu, Matrix</i>	16
<i>Display Menu, Panel ID</i>	16
<i>Display Menu, Version</i>	16
<i>Menu System, Key Assign Menu</i>	16
<i>Key Assign Menu, Matrix</i>	17
<i>Key Assign Menu, Pt-to-Pt</i>	17
<i>Key Assign Menu, Key Gain</i>	17
<i>Key Assign Menu, Reset Vols.</i>	17
<i>Key Assign Menu, Setup Page</i>	17
<i>Service Menu</i>	18
<i>Service Menu, Aux Inputs</i>	18
<i>Service Menu, DIM</i>	18
<i>Service Menu, Baud Rate</i>	18
<i>Service Menu, DSP Func</i>	19
<i>Service Menu, LCP-32</i>	20
<i>Service Menu, Min Volume</i>	20
<i>Service Menu, Mod Assign</i>	21
<i>Service Menu, Ref Level</i>	21
<i>Service Menu, Reset Cfg</i>	22
<i>Service Menu, RVON Setup</i>	22
<i>Service Menu, Save Cfg</i>	23
<i>Service Menu, Scr Saver</i>	23
<i>Service Menu, Test Panel</i>	24

PAM-32 Production Audio Monitor

General Description

The RTS™ Model PAM-32 keypanel fits in a standard 19" rack and is two rack spaces high. It has 32 push button keys; 30 of which are monitoring inputs; one key for copying from alpha scroll lists; and one is for headset/speaker. It adds significant new features such as digital signal processing and binaural headset operation with left/right assignment of audio signals. The PAM-32 also introduces large, super-bright, long-life fluorescent displays with adjustable brightness control, making it suitable for all types of ambient lighting from direct sunlight to darkness.

Features

- Super-bright, fluorescent displays: Provides much better visibility and usable life than LCD displays. A display saver mode with programmable scrolling message extends display life and conserves power during periods of inactivity.
- 32 Push Button Keys, with 30 keys available for monitoring inputs.
- Only 3.54 inches (90 mm) deep behind the front panel (approximately 5.11 inches/ 130mm with connectors). Perfect for consoles, OB vans, etc.
- Digital Signal Processing (DSP) adds new mixing and metering capabilities.
- Binaural (1/4" phone/stereo plug) Headset Connector. Works with the DSP mixing feature. Lets you independently assign intercom, and program audio to left or right headphone.
- Easy upgrades. Firmware update can be received via the Internet, for example, and then downloaded to the PAM-32 via the intercom connection. Ready for future communication enhancements, including coax, fiber, and ISDN.

Connections

Keypanel Connections

Connections are identical for each keypanel.

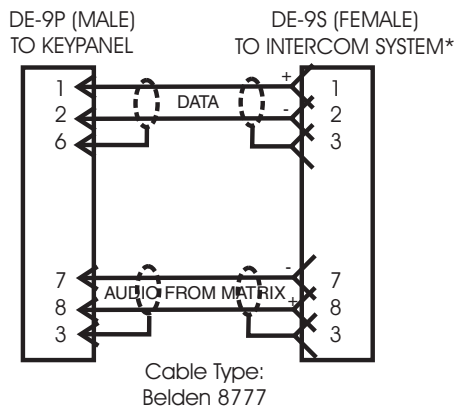
1. **Intercom Connection:** Use a standard RJ-12 or DB-9 intercom cable (Figures 1 and 2). Connect from the FRAME connector to an available intercom port.
2. **EXP Connect:**
3. **LCP Connect:**
4. **Auxiliary Input Connection:** Connect an auxiliary audio input to the AUX INPUT connector on the backpanel. This is used as a second input from the matrix during split operation.

AUX Input Specifications:

Input level: 0 - +8dB

Connector: 3-pin XLR Female

- Pin 1: Shield
- Pin 2: Audio +
- Pin 3: Audio -



Important!

*When connecting to an ADAM CS backpanel, use only low-profile cable connectors such as AMP Part No. 747516-3 (Telex Part No. 59926-678)

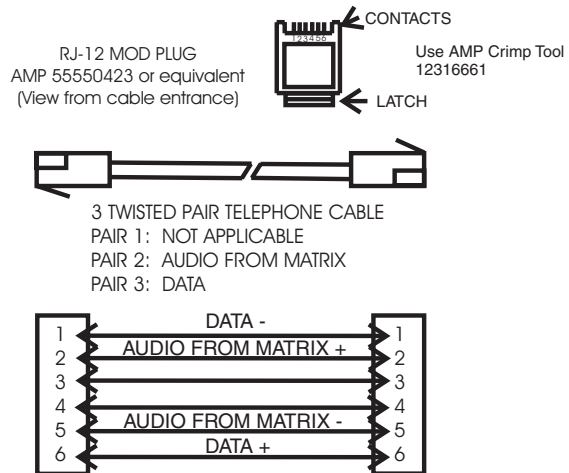


FIGURE 1. 9-pin intercom cable wiring diagram and RJ-12 intercom wiring diagram (PAM-32)

5. Headphone Connector Specification:

Connector Type: 3-conductor, 1/4 inch plug

- Tip: Left
- Ring: Right
- Sleeve: Common

6. **Power Supply Connector:** The power supply input operates between 100-240 VAC, 50/60Hz.

Specifications

The PAM-32 is a 32-key (push button) monitor panel, with both headset and speaker outputs.

General

AC Supply: External, switching type, 100-240 VAC, 50/60 Hz with locking DIN connector for attachment to the keypanel and

Environmental	Input
Storage	Nominal
-40°C to 60°C (-40°F to 140°F)	+8dBu
Operating	Peak
-10°C to 41°C (14°F to 105.8°F)	±20dBu max.
Dimensions	Aux Inputs (Side B)
19" wide x 2RU x 3.5" (90mm) deep	Input Level
Physical	+8dBu nominal
Height	
2 RU	
Mounting Depth Needed (approx.)	
7"	
Headphone Amplifier	
Max Voltage Gain	
200dB	
Frequency Response	
100Hz to 10kHz, ±2dB	
Headphone Impedance	
8 to 600 ohms	
Output Power	
160mW into 50 ohms	
Output Voltage Level	
8 volts peak to peak (max.)	
Sidetone Range	
25dB	
Speaker Amplifier and Speaker	
Frequency Response	
100Hz to 10kHz, ±2dB	
Output Power (per amplifier)	
11.3 volts peak to peak (max.)	
Volume Control Range	
30dB	
Speaker Rating	
4 watts max.	
Intercom Inputs (Side A)	

Connectors (other connector options available)

Headset Connector Type: 3-circuit, 1/4" phone jack with threaded metal bushing

Pin Out

Pin 1 Audio side A+
Pin 2 Audio side B+
Pin 3 Ground

universal IEC connector for connection to various AC mains cords.

Power Input Connector		Matrix Out Balanced Output	
Type:	5-pin locking DIN	Type	3-pin Male XLR
Pin Out		Pin Out	
Pin 1	Common	Pin 1	Shield (circuit common)
Pin 2	Common	Pin 2	Audio output +
Pin 3	+5 VDC, 1.50A max.	Pin 3	Audio output -
Pin 4	-15 VDC, 0.150A max.		
Pin 5	+15 VDC, 0.5A max.		

NOTE: Output level +8dBu nominal (balanced).

Intercom Connectors: Parallel-wired DE9S and RJ-12 Connectors

Type	DE9S
Pin Out	
Pin 1	Data +
Pin 2	Data -
Pin 3	Audio In (from Matrix) shield
Pin 4	Audio Out (to Matrix) +
Pin 5	Audio Out (to Matrix) -
Pin 6	Data Shield
Pin 7	Audio In (from Matrix) -
Pin 8	Audio In (from Matrix) +
Pin 9	Audio Out (to Matrix) shield

Type	RJ-12
Pin Out	
Pin 1	Data -
Pin 2	Audio In (from Matrix) -
Pin 3	Audio Out (to Matrix) +
Pin 4	Audio Out (to Matrix) -
Pin 5	Audio In (from Matrix) -
Pin 6	Data +

Expansion Connector

Type	RJ-45
------	-------

LCP Connector

Type	RJ-45
------	-------

Foot Switch / Speaker

Type	9-pin Male D-Sub
Pin Out	
Pin 1	Ground
Pin 2	Speaker minus (-)
Pin 3	Ground
Pin 4	No Connection
Pin 5	Foot Switch
Pin 6	Speaker plus (+)
Pin 7	No Connection
Pin 8	No Connection
Pin 9	Ground

Option DIP Switch Settings

Switch 1:	Latch Enable/Disable
Default Setting:	Open: Enable
Description:	An intercom key can always be turned ON for momentary listening by pressing and holding the key during the monitoring. There is also an electronic latching feature that lets you tap intercom keys to turn them ON or OFF. This permits convenient hands-free monitoring. However it can also result in a listen circuit being left ON unintentionally. NOTE: DIP switch 1 disable latching for the entire keypanel. If you just need to disable latching for selected keys, leave DIP switch 1 in the “open” position. Then, disable latching for the desired keys using the “D” check boxes in the Keypanels/Ports setup screen in AZedit.
Switch 2:	Key Gain Enable/Disable
Default Setting:	Open: Enable
Description:	Enables or disables the Key Gain item in the Key Assign menu.
Switch 3:	Screen Saver Enable/Disable
Default Setting:	Open: Enable
Description:	With Screen Saver enabled, the PAM-32 will shut off the display and enter a low-power state after a few minutes of inactivity. The display reactivates instantaneously on incoming call or when the keypanel operator actuates any control. As with all fluorescent and back lit LCD displays, some dimming will occur after many years of operation. Using the screen saver helps maximize the display life.
Switch 4:	Call Tally
Default Setting:	Open: 15 Second Flash
Description:	Whenever there is an incoming call and there is a key assigned to the caller, the talk LED next to the key will flash. The flash can be set for a 15 second time-out, or until the caller’s key is released.
Switch 5:	Split Panel Operation
Default Setting:	
Description:	In this mode, the panel replies to the intercom at two separate polling IDS. For example, if the polling ID is set to 6, in split mode, the PAM-32 will respond at IDs 6 and 7. Keys on the two sides of the panel operate independently. With this mode, the audio for the second intercom port could see the AUX IN of the keypanel, and the audio for the two ports could be routed separately to the left and right headset channels.

Switch 6:	Standard / Alternate Keypad Sequence
Default Setting:	
Description:	For Standard Keypad Sequences (DIP 6 Open) Listen Key ON - Solid Green LED Listen Key Locked ON (in "one" mode) - Solid Red LED Listen Key Held ON, doing ISO (in "many" mode) - Solid Red LED In-use Tally (e.g. IFB being interrupted) - Solid Red LED Busy Tally (e.g. no trunks available) Flashing Red LED NOTE: Tallies also tally on the alphanumeric display. For the Headset Key (key 32) the upper LED is Solid Green if the headset is selected. For Alternate Keypad Sequences (DIP 6 Closed) Listen Key ON - Solid Green LED Listen Key Locked ON (in "one" mode): Solid Red LED Listen Key Held ON, doing ISO (in "many" mode) - Solid Red LED NOTE: Tallies also tally on the alphanumeric display. For the Headset Key, (key 32) the LED is Solid LED is Solid RED if the headset is selected.
Switch 7:	Reserved for Debugging Purposes "Must be left *OPEN"
Switch 8:	Normal / Forced Firmware Download
Default Setting	Open: Normal Operation
Description	In this mode, you can choose to run in normal mode or in forced firmware download. This means that once the keypad is restarted, it will automatically look for a copy of the latest firmware to download.

Power Up

Turn ON the power switch. Asterisks may briefly appear in the alpha numeric displays. After a few moments, the displays should show listen key assignments (or dashes where there are not assignments). If either keypad continues to display asterisks, it cannot establish communications with the intercom system. In this case, check the intercom cable and connections.

At power-up, the alphanumeric displays will first show asterisks (****). After several seconds, the intercom key assignments will display.

NOTE: If the keypad cannot establish communication with the intercom system, all alphanumeric displays will continue to show asterisks. Check the keypad to Matrix cable connection if this occurs. If the keypad loses communications with the intercom, it will not revert ****'s for 30 seconds.

Setup Menu

Before using each keypad, you must set the keypad address.

Address Switch Setting - General Information

In Zeus, ADAM CS, and ADAM Intercom Systems, intercom ports are arranged in groups of eight. All ports in a group share a common data port. Each PAM-32 keypad is uniquely identified on the data port by the setting of its Address switch. The

method of determining the proper Address switch setting varies for each intercom system. Use the method for your intercom system as described below. Then set the white point on the Address switch to point to the correct setting.

Address Setting for Zeus

Intercom port connectors on the Zeus back panel are arranged in three groups of eight intercom ports. For each group, intercom port connectors are labeled ID1, ID2, etc. When you connect a PAM-32 keypanel to Zeus, set the Address switch to match the corresponding ID number on the Zeus backpanel. Note, the address switch setting 0 and 9 through F are not used.

Address for ADAM CS

Each Audio I/O card contains 1 group of intercom ports. However, the method of breaking out the groups depends on the type of connectors on the back panel.

ADAM CS with RJ-12 or DB-9 back panel:

The intercom port connectors are arranged in groups of 8. The first connector at the left for each group is Address 1, the next is Address 2, and so forth.

NOTE: Address switch settings 0, and 9 through F are not used.

Address Setting for Adam

Each Audio I/O card contains 1 group of 8 intercom ports. Determine the address setting from Figure X. To use the table, locate the intercom port number to which the PAM-32 Address will be connected. Then, read across the Address column to find the Address number.

PAM-32 Addressing

A rotary switch is used to indicate the logical port address the key panel is to use when communicating with the Matrix. The switch is read continuously through polling by the matrix. If the port address is changed, the new address is not seen on a powered unit until the power is recycled.

NOTE: The Address port, by default, is shipped with an invalid address to ensure that there are no conflicts with existing keypanels. It is important to set the address port for the KP-32 keypanel for it to function properly.

In Zeus, ADAM CS, and ADAM intercom system, intercom ports are arranged in groups of 8. Within each group, each keypanel is uniquely identified by its Address switch setting. In the below example, the Address switch has a white pointer pointing at position 7, indicating port 7.



Operation

Operation is identical for each keypanel.

Listen Key Operation

ONE Mode: ONE mode gives preference to a single active key. Tap a key to turn it on. The green LED lights. When you tap another key, the first key turns off and the second key turns on.

MANY Mode: MANY mode gives preference to many keys being on at once. Tap any key to latch it in the ON position. The green LED will be list while the key is ON. You can tap several keys to latch them on.

Settings for ADDR		Intercom Port Numbers																																																																																																																																																																																																																																																																																																																																																																																																																																																																																																																																																																																																																																																																																																																																																																																																																																																																																																																																																																																																																																																																																																																																																																																																																																																																																																																																																																																																				
		1	2	3	4	5	6	7	8	9	10	11	12	13	14	15	16	17	18	19	20	21	22	23	24	25	26	27	28	29	30	31	32	33	34	35	36	37	38	39	40	41	42	43	44	45	46	47	48	49	50	51	52	53	54	55	56	57	58	59	60	61	62	63	64	65	66	67	68	69	70	71	72	73	74	75	76	77	78	79	80	81	82	83	84	85	86	87	88	89	90	91	92	93	94	95	96	97	98	99	100	101	102	103	104	105	106	107	108	109	110	111	112	113	114	115	116	117	118	119	120	121	122	123	124	125	126	127	128	129	130	131	132	133	134	135	136	137	138	139	140	141	142	143	144	145	146	147	148	149	150	151	152	153	154	155	156	157	158	159	160	161	162	163	164	165	166	167	168	169	170	171	172	173	174	175	176	177	178	179	180	181	182	183	184	185	186	187	188	189	190	191	192	193	194	195	196	197	198	199	200																																																																																																																																																																																																																																																																																																																																																																																																																																																																																																																																																																																																																																																																																																																																																																																																																																																																																																																																																																																																																																																																																																																																																																																													
1	201	202	203	204	205	206	207	208	401	402	403	404	405	406	407	408	601	602	603	604	605	606	607	608	409	410	411	412	413	414	415	416	609	610	611	612	613	614	615	616	209	210	211	212	213	214	215	216	417	418	419	420	421	422	423	424	617	618	619	620	621	622	623	624	217	218	219	220	221	222	223	224	425	426	427	428	429	430	431	432	625	626	627	628	629	630	631	632	225	226	227	228	229	230	231	232	433	434	435	436	437	438	439	440	633	634	635	636	637	638	639	640	233	234	235	236	237	238	239	240	441	442	443	444	445	446	447	448	641	642	643	644	645	646	647	648	241	242	243	244	245	246	247	248	449	450	451	452	453	454	455	456	649	650	651	652	653	654	655	656	249	250	251	252	253	254	255	256	457	458	459	460	461	462	463	464	657	658	659	660	661	662	663	664	257	258	259	260	261	262	263	264	465	466	467	468	469	470	471	472	665	666	667	668	669	670	671	672	265	266	267	268	269	270	271	272	473	474	475	476	477	478	479	480	673	674	675	676	677	678	679	680	273	274	275	276	277	278	279	280	481	482	483	484	485	486	487	488	681	682	683	684	685	686	687	688	281	282	283	284	285	286	287	288	489	490	491	492	493	494	495	496	689	690	691	692	693	694	695	696	289	290	291	292	293	294	295	296	497	498	499	500	501	502	503	504	697	698	699	700	701	702	703	704	297	298	299	300	301	302	303	304	505	506	507	508	509	510	511	512	705	706	707	708	709	710	711	712	305	306	307	308	309	310	311	312	513	514	515	516	517	518	519	520	713	714	715	716	717	718	719	720	313	314	315	316	317	318	319	320	521	522	523	524	525	526	527	528	721	722	723	724	725	726	727	728	321	322	323	324	325	326	327	328	529	530	531	532	533	534	535	536	729	730	731	732	733	734	735	736	329	330	331	332	333	334	335	336	537	538	539	540	541	542	543	544	737	738	739	740	741	742	743	744	337	338	339	340	341	342	343	344	545	546	547	548	549	550	551	552	745	746	747	748	749	750	751	752	345	346	347	348	349	350	351	352	553	554	555	556	557	558	559	560	753	754	755	756	757	758	759	760	353	354	355	356	357	358	359	360	561	562	563	564	565	566	567	568	761	762	763	764	765	766	767	768	361	362	363	364	365	366	367	368	569	570	571	572	573	574	575	576	769	770	771	772	773	774	775	776	369	370	371	372	373	374	375	376	577	578	579	580	581	582	583	584	777	778	779	780	781	782	783	784	377	378	379	380	381	382	383	384	585	586	587	588	589	590	591	592	785	786	787	788	789	790	791	792	385	386	387	388	389	390	391	392	593	594	595	596	597	598	599	600	785	786	787	788	789	790	791	792	385	386	387	388	389	390	391	392	593	594	595	596	597	598	599	600	785	786	787	788	789	790	791	792	385	386	387	388	389	390	391	392	593	594	595	596	597	598	599	600	785	786	787	788	789	790	791	792	385	386	387	388	389	390	391	392	593	594	595	596	597	598	599	600	785	786	787	788	789	790	791	792	385	386	387	388	389	390	391	392	593	594	595	596	597	598	599	600	785	786	787	788	789	790	791	792	385	386	387	388	389	390	391	392	593	594	595	596	597	598	599	600	785	786	787	788	789	790	791	792	385	386	387	388	389	390	391	392	593	594	595	596	597	598	599	600	785	786	787	788	789	790	791	792	385	386	387	388	389	390	391	392	593	594	595	596	597	598	599	600	785	786	787	788	789	790	791	792	385	386	387	388	389	390	391	392	593	594	595	596	597	598	599	600	785	786	787	788	789	790	791	792	385	386	387	388	389	390	391	392	593	594	595	596	597	598	599	600	785	786	787	788	789	790	791	792	385	386	387	388	389	390	391	392	593	594	595	596	597	598	599	600	785	786	787	788	789	790	791	792	385	386	387	388	389	390	391	392	593	594	595	596	597	598	599	600	785	786	787	788	789	790	791	792	385	386	387	388	389	390	391	392	593	594	595	596	597	598	599	600	785	786	787	788	789	790	791	792	385	386	387	388	389	390	391	392	593	594	595	596	597	598	599	600	785	786	787	788	789	790	791	792	385	386	387	388	389	390	391	392	593	594	595	596	597	598	599	600	785	786	787	788	789	790	791	792	385	386	387	388	389	390	391	392	593	594	595	596	597	598	599	600	785	786	787	788	789	790	791	792	385	386	387	388	389	390	391	392	593	594	595	596	597	598	599	600	785	786	787	788	789	790	791	792	385	386	387	388	389	390	391	392	593	594	595	596	597	598	599	600	785	786	787	788	789	790	791	792	385	386	387	388	389	390	391	392	593	594	595	596	597	598	599	600	785	786	787	788	789	790	791	792	385	386	387	388	389	390	391	392	593	594	595	596	597	598	599	600	785	786	787	788	789	790	791	792	385	386	387	388	389	390	391	392	593	594	595	596	597	598	599	600	785	786	787	788	789	790	791	792	385	386	387	388	389	390	391	392	593	594	595	596	597	598	599	600	785	786	787	788	789	790	791	792	385	386	387	388	389	390	391	392	593	594	595	596	597	598	599	600	785	786	787	788	789	790	791	792	385	386	387	388	389	390	391	392	593	594	595	596	597	598	599	600	785	786	787	788	789	790	791	792	385	386	387	388	389	390	391	392	593	594	595	596	597	598	599	600	785	786	787	788	789	790	791	792	385	386	387	388	389	390	391	392	593	594	595	596	597	598	599	600	785	786	787	788	789	790	791	792	385	386	387	388	389	390	391	392	593	594	595	596	597	598	599	600	785	786	787	788	789	790	791	792	385	386	387	388	389	390	391	392	593	594	595	596	597	598	599	600	785	786	787	788	789	790	791	792	385	386	387	388	389	390	391	392	593	594	595	596	597	598	599	600	785	786	787	788	789	790	791	792	385	386	387	388	389	390	391	392	593	594	595	596	597	598	599	600	785	786	787	788	789	790	791	792	385	386	387	388	389	390	391	392	593	594	595	596	597	598	599	600	785	786	787	788	789	790	791	792	385	386	387	388	389	390	391	392	593	594	595	596	597	598	599	600	785	786	787	788	789	790	791	792	385	386	387	388	389	390	391	392	593	594	595	596	597	

Screen Saver Operation

If the PAM-32 is set for screen saver operation, the alpha numeric display automatically shuts off after a user defined period of inactivity. The display reactivates on incoming call or when the keypanel operator actuates any control. DIP switch 3 enables and disables the screen saver operation.

NOTE: You can override the normal time-out period for the screen saver operation and immediately place the keypanel in screen saver mode.

Selecting Headset or Speaker

Tap the Headset/Vol. Sel. key. The Vol. Sel. display alternates between Hdst and Spkr with each key tap. The Headset LED lights when the headset is selected and is off when the speaker is selected.

Listen Volume Adjustments

By default, the Vol. control adjusts the listen volume for the speaker or headset, whichever appears in the Vol. Sel. display. The level of auxiliary program inputs 1 & 2 (if no GPIO board is present and Aux inputs are enabled) and the level of incoming audios from the intercom matrix can be adjusted. To adjust a level, press the Vol. Sel. button until the desired source appears in the Vol. Sel. display (Aux 1, Aux 2, or ICOM). Then, use the Vol. control to adjust the listen volume. The Vol. control defaults back to the speaker or headset after about one minute of inactivity of the control. The minimum volume level for either the keypanel speaker or headset may be adjusted.

NOTE: You can save the volume adjustments to be the power-up defaults using “Service Menu, Save Cfg”.

Intercom Keys and Displays

Alphanumeric Display Indications for Intercom Keys

Upper Case Letters: Upper case letters indicate keys that have an assignment.

Dashes ----: Dashes indicate a key that has no talk or listen assignment.

Flashing Alphanumeric Display: This means the key is activated to listen to an IFB, ISO or TIF.

NOTE: The flashing alphanumeric display for TIF keys, remote IFB keys, and remote ISO keys can be disabled by placing a check mark next to “Don’t generate tallies for TIF and trunk use” in AZedit (Options menu, Intercom Configuration, Options Tab).

PAM-32 Menu System

Menu System, Menu Access

1. Clear all names from the Call Waiting display (if not clear) by tapping one or more time on the Call waiting key.
2. Tap **MENU** to activate the menu system.
3. Press the *))* to scroll forward through the list of menus. Press the *--* to scroll back.
4. Tap **FWD** or **PGM** to enter a menu. Tap **BACK** to exit a menu.
5. Within a menu:
 - Press *))* or *--* to scroll.
 - Tap **FWD** or **PGM** to select an item
 - Tap **BACK** to cancel a selection or to go back to the previous menu.

Menu System, Display Menu

Use this menu to display information about the keypanel configuration.

Display Menu, Asgn Type

Displays the talk level 1 assignment types for all keys. Abbreviations for the key assignment types appear in the alphanumeric displays as follows:

PP	Point-to-Point	SL	Special List
PL	Party Line	GPI Out.....	GPI Out
IFB	IFB	ISO.....	ISO
IFB SL.....	IFB Special List	UPL.....	User Programmable Logic Resources

Display Menu, Chans On

Displays an alpha list, in the Call Waiting Window, of all intercom ports that currently have talk crosspoints closed to this keypanel. Chans On is typically used to locate an open mic or other open audio source that needs to be shut off. The most likely cause is typically a talk key that has been left on at some keypanel. In this case, use the *))* and *--* keys to scroll through the list of names. You can then press the Call waiting key to ask the person at the other end to turn off their talk key.

Display Menu, Matrix

Displays the intercom system name for all talk level 1 key assignments. In non-trunked intercom systems, the intercom system name is always LOCL (local). In trunked intercom systems, intercom system names are created in AZedit.

Display Menu, Panel ID

Panel ID displays the calculated port number that the keypanel is connected to. The calculation is based on the data group that the keypanel is connected to, along with the Address switch setting on the keypanel. If the Address switch is incorrectly set, the wrong Panel ID will display. Panel ID also displays the port alpha in brackets if the port is not scroll restricted.

Display Menu, Version

Displays the firmware version of the keypanel.

NOTE: For firmware upgrades, contact our intercom system dealer. The PAM-32 firmware can be upgraded from AZedit.

Menu System, Key Assign Menu

Use this menu to assign intercom keys, to adjust listen levels for point-to-point keys and party line keys, and to assign setup pages.

General Procedure to use the Key Assign Menu

1. Clear the Call Waiting Window by tapping the **Call Waiting** button.
2. Tap **Menu**.
3. Tap **))** to scroll down to the Key Assign menu.
4. Tap PGM or FWD to enter the menu.

NOTE: If you do not have a trunking intercom system, the next step.

5. Remote key assignment only (trunking system only): If your intercom system is configured for trunking, Matrix displays in the Call Waiting Window. You must select a remote intercom matrix before assigning intercom keys to destinations in that matrix. You do not need to select an intercom matrix if you are assigning keys in your own intercom system. Also, do not select an intercom matrix if you are assigning auto functions or setup pages, or if you are changing listen gains for remote point-to-point keys or remote party line keys. Select a matrix as follows:
 - Press FWD or PGM to access the Matrix.
 - Press **))** or **--**, to locate the desired Matrix.
 - Press FWD or PGM to select a matrix. Wait may display while the scroll lists for that matrix are loading.

Pt-toPt should now display in the Call Waiting Window (both for local and remote key assignment). This is the list of available point-to-point key assignments. Press **))** or **--** to select a different list as follows:

- | | |
|-------------|---|
| Pt-to-Pt: | Assign a key to listen to another intercom port. |
| Key Gain: | Adjust the listen gain for a key that already has a point-to-point or party line assignment. (If you select this item, skip the rest of this procedure and go to “Key Assign Menu, Key Gain”. |
| Reset Vols: | Restore the default listen level for keys that have a point-to-point or party line assignment. (If you select this item, skip the rest of this procedure and go to “Key Assign Menu, Reset Vols). |
| Setup Page: | Change the setup page assignments. (If you select this item, skip the rest of this procedure and go to “Key Assign Menu, Setup Page”). |

6. Tap **PGM** or **FWD** to select a list. In some cases Wait may display while the requested list is uploaded from the intercom system.
Tap Key should now display.
7. Tap an available intercom key to assign a listen-only key.
If you assign a key that is listen only, the assignment will appear briefly in upper-case letters, then will change to lower-case letters.

NOTE: when reassigning keys remember to remove any Chime, solo, or Key Group options if they will not be needed for the new key assignment.

Key Assign Menu, Matrix

Matrix appears only for trunked intercom systems. You must select a remote intercom matrix before assigning intercom keys to destinations in that matrix. You do not need to select matrix to assign keys to destinations in your own matrix. You also do not need to select a matrix when assigning an auto-function to a key.

Key Assign Menu, Pt-to-Pt

Assigns a key that listens to another intercom port. Note, some pt-to-pt destinations may be non-keypanel devices that cannot activate listen paths. Therefore, if you want full communication, you may need to assign both talk and listen on the key.

Key Assign Menu, Key Gain

Use this menu item to adjust the listen gains for point-to-point assignments.

1. Press **FWD** or **PGM** to select Key Gain in the Key Assign menu.
Tap Key displays.
2. Tap the key that you want to adjust.
The current listen level displays in the Call Waiting Window.
3. Press **)** or **--** to change the listen level.
4. You may tap additional point-to-point to change their listen levels, or tap **CLR** to quit.

NOTE: you do not need to run Save Cfg after resetting key gains. These settings are stored in the intercom system.

Key Assign Menu, Reset Vols.

Use this menu item to simultaneously reset gains for all point-to-point keys.

1. Press **FWD** or **PGM** to select Reset Vols in the Key Assign menu.
Done displays. All key gains are now reset to the default level.
2. Tap **CLR** to quit.

NOTE: You do not need to Save Cfg after resetting key gains. These settings are stored in the intercom setting.

Key Assign Menu, Setup Page

Use this menu item to change the setup page assignments on the PAM-32. One setup page is used for the top row of keys, another setup page is used for the bottom row.

1. Press **FWD** or **PGM** to select Setup Page in the Key Assign menu.
Page 1 displays.
2. Press **--** or **--** to select any of the following:
Page 1: Assign setup page 1 to the PAM-32
Page 2: Assign setup page 2 to the PAM-32
Page 3: Assign setup page 3 to the PAM-32
Page 4: Assign setup page 4 to the PAM-32
Clear Page: Clear page assignment from the PAM-32

3. Tap PGM
Tap Key displays.
4. Tap any key in the row where you want to assign the setup page.
The key assignments for that page should appear in the displays.
5. You can press the $\overline{\text{--}}$ or $\overline{\text{--}}$ to select or assign another setup page. Or, tap CLR to exit.

NOTE: You do not need to run Save Cfg to store changes to setup pages. These are stored in the intercom system.

Service Menu

Service Menu, Aux Inputs

Enables or disables the volume controls from the VOL SEL Menu Button for any of the following functions: AUX 1, AUX 2, or ICOM (Intercom).

1. Select Aux Inputs.
2. Tap **PGM**.
Aux IN 1 displays.
3. To select Aux In 1, Aux In 2, or Intercom press $\overline{\text{))}}$.
4. Tap **PGM**.
◆ *Enabled displays.*
5. To select enable or disabled, press $\overline{\text{--}}$.
the arrow indicates the active selection.
6. Tap PGM.
7. Tap CLR to exit when finished.
The new AUX In assignment is now set.
8. Run Service menu, Save Cfg to store the Aux Inputs setting.

NOTE: To assign the destination of the Aux Inputs, see the Mixing entry for "Service Menu, DSP Func".

Service Menu, DIM

This item causes the speaker or headphone level to diminish by a specified amount whenever a listen key is activated.

1. Select **DIM**, then tap **PGM**.
Speaker displays.
2. To select headset, press $\overline{\text{))}}$.
3. Press **PGM**.
By default, -8dB displays for speaker and 0dB displays for headset. This is the default amount of dimming.
4. Press $\overline{\text{))}}$ to increase the amount of dimming.
Press $\overline{\text{--}}$ to decrease the amount of dimming.
5. Tap **CLR** to exit when finished.
The new dimming level is now set.
6. Run **Service Menu, Save Cfg**, to store the DIM setting

Service Menu, Baud Rate

This item sets the baud rate for the PAM-32.

1. Select Baud, then tap **PGM**.
Auto Baud displays.

2. Press **)]** to select any of the following:

Auto Baud: Senses what the Matrix is running, and sets the PAM accordingly.

9600 Baud

76.8 K Baud

NOTE: Run Service Menu, Save Cfg to store the settings.

Service Menu, DSP Func

This item increases the digital signal processing features.

1. Select **DSP Func**, then tap **PGM**.

Filtering displays.

2. Press **)]** or **--** to display any of the following items:

Filtering

Gating

Metering

Mixing

Metering

Metering lets you use the Vol. display as an LED bar graph meter to monitor an audio signal for about 1 minute.

1. Tap **PGM**.

Microphone displays

2. Press **)]** or **--** to display any of the following items:

Microphone

Matrix

Aux 1

Aux 2

3. Tap **PGM**.

Meter: Mic displays.

4. Press **)]** or **--** to display any of the following items:

Meter: Mic

Meter: Mtx

Meter: Aux 1

Meter: Aux 2

5. Tap **PGM**.

The Vol. bar graph is now monitoring the selected audio source.

6. Tap **CLR** to exit metering or allow the metering function to time-out after about one minute.

Mixing

Mixing lets you route selected audio signals to the intercom system, to the speaker, or to the left or right headphone when using a headset. By default, the microphone signal is routed to the matrix, and the matrix signal is routed to the speaker and to the left and right headphones.

1. Tap **PGM**.

To Matrix displays.

2. Press **)]** or **--** to display any of the following items:

To Matrix

Speaker

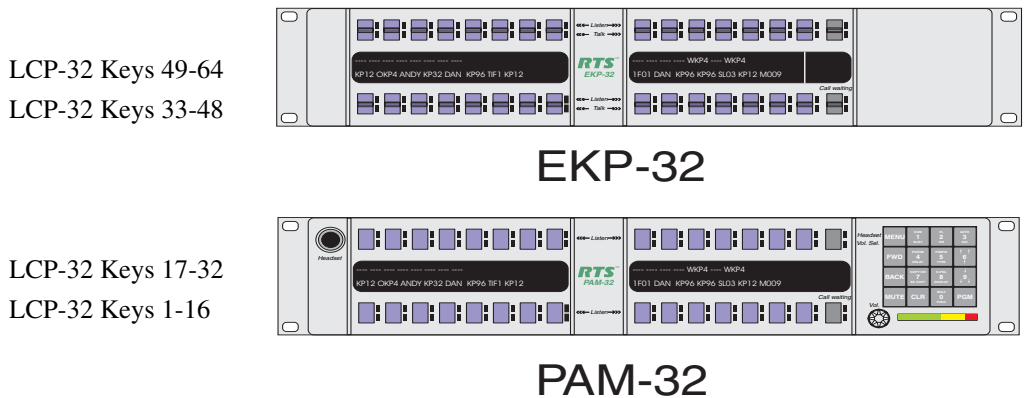
Left Hdst

Right Hdst

3. Tap **PGM**.
 - ◆ *Mic or Mic displays. If an arrow displays, this indicates the mic signal is currently being routed to the destination that you selected in step 2*
4. To toggle the selection, press **PGM**.
You can also press // or -- to display and toggle any of the following items:
 Mic
 Matrix
 Aux 1
 Aux 2
5. Tap **CLR** to exit when you are finished changing the mixing selections.
6. Run **Service Menu, Save Cfg** to store any mixing changes.

Service Menu, LCP-32

By default, each LCP-32 that you connect to the PAM-32 takes control of level adjustment for the first available group of 16 physical keys that it finds. The LCP-32 adjust keys 1-16, which corresponds to the bottom row of keys on the PAM-32; the second LCP-32 adjusts keys 17-32, and so forth. If you do not want to use an LCP-32 with certain keys, you must program the PAM-32 to skip those keys.



For example, you may not want to use LCP's with the PAM-32 but do not want to use them with an EKP-32. In this case, you must turn off LCP usage for keys 1-32 as follows:

1. Select **LCP-32**, then tap **PGM**.
1-16: Yes displays. This indicates the first connected LCP-32 will attach to keys 1-16.
2. Tap **PGM**.
1-16: Skip displays. This indicates the first connected LCP-32 will skip keys 1-16 and will attach to the next available row of keys.
3. Tap // to display 17-32: Yes.
4. Tap **PGM**.
17-32: Skip displays. This indicates the first connected LCP-32 will skip keys 17-32 and will attach to the next available row of keys.
5. Tap **CLR** to exit.
6. Run **Service Men, Save Cfg** to store the new LCP-32 settings.

Service Menu, Min Volume

This menu item allows the user to set the minimum volume level for both the keypanel speaker and the headset speaker(s). This is the minimum volume level available on the volume control located on the front panel of the PAM-32.

1. Select **Min Volume** from the Service menu, then tap **PGM**.
◆*Speaker displays.*
2. Press **))** to select either Speaker or Headset.
3. Tap **PGM**.
4. Press **))** or **--** to increase or decrease the minimum volume level. The range is -24dB to -60dB or full Mute.
5. Tap **PGM**.
6. Tap **CLR** to exit.
7. Run **Service Menu, Save Cfg** to store Min Volume settings.

Service Menu, Mod Assign

NOTE: Normally, this is a service adjustment that is required only when replacing a key an display module. It may also be required if for some reason, the key assignments, as displayed in AZedit, appear to be in the wrong positions on the keypanel or expansion panel.

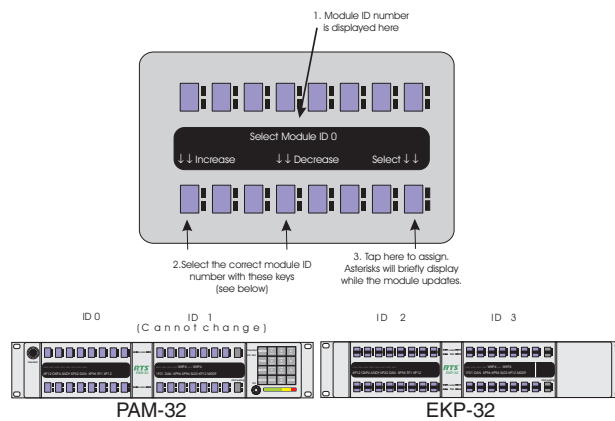
The PAM-32 and the EKP-32 use module ID numbers (Mod ID numbers) to define the address of each key and display module. By default, Mod 1 is always assigned to the right half of the PAM-32 and this never changes, since this module has the keypad and is unique. However, the rest of the modules are identical. When replacing any of these modules, you may have to reset the Mod ID number as follows:

1. Select Mod Assign from the Service menu, then tap PGM.
Cancel? displays.

To exit the procedure without making changes, tap PGM.

All the alphanumeric displays, except Mod 1, will appear as shown below.

2. Assign the Mod IDs as shown. Repeat the procedure for each module.



NOTE: You do not need to run Save Cfg after changing Mod assignments.

Service Menu, Ref Level

Allows the adjustment of the nominal audio output level to the matrix from 0dB to +8dB.

1. Select Outp Level, then tap PGM.
+8dB displays
-- decreases the level
-- increases the level
2. Tap PGM.

3. Tap CLR to exit.
4. Run Service Menu, Reset Cfg to store the Output Level settings.

Service Menu, Reset Cfg

Reset Cfg restores all custom settings to the defaults and erases all stored autodial numbers.

Service Menu, RVON Setup

NOTE: To use the RVON-1 with the PAM-32, the PAM must be at firmware version 1.0.0 or higher.

The RVON-1 card, when shipped has a default IP Address already configured. This must be changed in order for the RVON-1 card to function properly because the pre-configured IP Address may not work with your network.

To set the IP Address, do the following:

1. On the PAM-32, press Menu.
The top level menu appears.
2. Using the *))*, scroll to **Service**.
3. Press **PGM**.
The Service menu appears.
4. Using the *))*, scroll to **RVON Setup**.
5. Press **PGM**.
The IP Address menu item appears.
6. Press **PGM**.
The actual IP Address appears.
7. Enter the **first number** in the IP Address.
This activates the first octet of the IP Address and clears the rest of the IP Address.
8. Press **PGM**.
This confirms the first octet in the IP Address and moves you to the second octet.

NOTE: Press PGM to skip over any octet that does not need modifications.

9. Repeat steps 7 and 8 until the entire IP Address is entered.
10. Press **PGM**.
The Netmask menu item appears.

NOTE: Once you have entered the IP Address, you will then enter the Netmask. The Netmask is a string of numbers similar to an IP Address, except that it masks or screens out the network part of an IP Address so that only the host computer part of the address remains (for example, 255.255.255.0).

11. Press **PGM**.
The actual Netmask appears.
12. Enter the **first number** in the Netmask.
This activates the first octet of the Netmask and clears the rest of the Netmask.
13. Press **PGM**.
This confirms the first octet in the Netmask and moves you to the second octet.

NOTE: Press PGM to skip over any octet that does not need modifications.

14. Repeat steps 12 and 13 until the entire Netmask is entered.
15. Press **PGM**.
The Gateway IP Address menu item appears.

NOTE: Once you have entered the Netmask, you may need to enter the Gateway IP Address. A Gateway is a node (for example, a computer) on a network that serves as an entrance to another network.

16. Press PGM.

The actual Gateway IP Address appears.

17. Enter the first number in the Gateway IP Address.

This activates the first octet of the Gateway IP Address and clears the rest of the address.

18. Press PGM.

This confirms the first octet of the Gateway IP Address and moves you the second octet.

NOTE: Press **PGM** to skip over any octet that does not need modifications.

19. Repeat steps 19 and 20 until the entire Gateway is entered.

20. Press PGM.

21. Press CLR to exit the menu.

The changes are now enabled.

Service Menu, Save Cfg

Save Cfg PGM saves custom settings that you have made in the Key Option or Service menus. After customizing settings in Key Option and Service menus, run Save Cfg to store your custom settings in non-volatile memory. This will assure protection of your settings when the keypanel is powered down. To erase all custom settings, run Services Menu, Reset Cfg.

Service Menu, Scr Saver

A screen saver is an animated image that is activated on a display when no user activity has been detected for a certain time.

To set the screen saver delay time, do the following:

1. On the PAM-32, press Menu.

Display appears in the keypanel display.

2. Press)) to scroll to service.

3. Press PGM.

Aux inputs appears in the keypanel display.

4. Press)) to scroll to Scr Saver.

5. Press PGM.

Delay appears in the keypanel display.

NOTE: There are three options to choose from this list: Delay, DSP OFF, and Activate. When DSP Off is selected, the keypanel display turns off (pressing any key will re-activate the display). When Activate is selected, the screen saver is immediately enabled. (pressing any key will re-activate the display). Delay allows you to set a specific amount of time the keypanel is inactive before the screen saver engages.

6. Press PGM.

30 min appears on the keypanel display.

Using)) scroll through the following times to determine how much inactivity on the keypanel must pass before the screen saver is activated.

30 min

1 hr

2 hr

4 hr

6 hr

8 hr
10 hr
12 hr

Service Menu, Test Panel

Test Panel PGM lets you check the operation of all keys and displays.

All alphanumeric displays show a% symbol. Pressing down on any key (except the **Headset/Vol Sel.** key) will cause OK to display. This verifies operation of the key. Tapping on the **Headset/Vol.Sel.** key will cause the display to cycle through the available selections.

If latching is enabled, tapping any intercom key, or the Call waiting key, will cause the corresponding red LED to light. This verifies latching operation and also that each red LED is OK>

Holding any key will cause the corresponding green LED to light. This verifies operation of the green LEDs.

Tapping any keypad button (except CLR) will cause the keypad button name to appear in the Call Waiting Window. This verifies operation of the keypad buttons.

Tap **CLR** to quit.

Free Manuals Download Website

<http://myh66.com>

<http://usermanuals.us>

<http://www.somanuals.com>

<http://www.4manuals.cc>

<http://www.manual-lib.com>

<http://www.404manual.com>

<http://www.luxmanual.com>

<http://aubethermostatmanual.com>

Golf course search by state

<http://golfingnear.com>

Email search by domain

<http://emailbydomain.com>

Auto manuals search

<http://auto.somanuals.com>

TV manuals search

<http://tv.somanuals.com>