

MODEL 752 AM-FM TUNER

INSTALLATION AND OPERATION INSTRUCTIONS

Model 752 is a sensitive Hi Fidelity AM-FM Tuner complete with AFC and should be used in connection with a high-grade audio amplifier. The Tuner has an audio output jack and an additional jack for attachment to a Multiplex Converter.

UNPACKING:

The unit is to be removed carefully from the carton and inspected for any possible damage in transit. If there is any evidence of damage which might have occurred in shipment, immediately notify your dealer or the transportation company which delivered it. Claims for damage sustained in transit must be made upon the Carrier. Save all packing material for inspection by the claim agent who will furnish you with the proper forms and will also give you the necessary instructions for filing a claim. In addition to the Unit, there should be a warranty card included in the carton. To insure proper servicing and to protect your rights under the warranty, be sure to fill in the warranty registration card without delay and mail to the factory.

WARRANTY

Your RAYMER unit has been very carefully inspected and tested at the factory and normally should require no service other than a semi-annual check of the tubes. Each unit is warranted to be free from defects in material and workmanship under normal use and service for a period of 90 days from date of delivery to the original purchaser. If any unit appears to be defective, the factory will repair any unit returned within said 90 days, providing all transportation charges are pre-paid, and which our examination shall disclose to our satisfaction to be defective.

This Warranty does not include free labor, nor is it applicable to any unit which shall have been subject to accident, tampered with, mis-used, abused, or altered in any manner whatsoever. Further, this Warranty shall not apply to any unit which has been connected improperly.

It is recommended that any Tuner on which service is required, be processed through your dealer wherever possible.

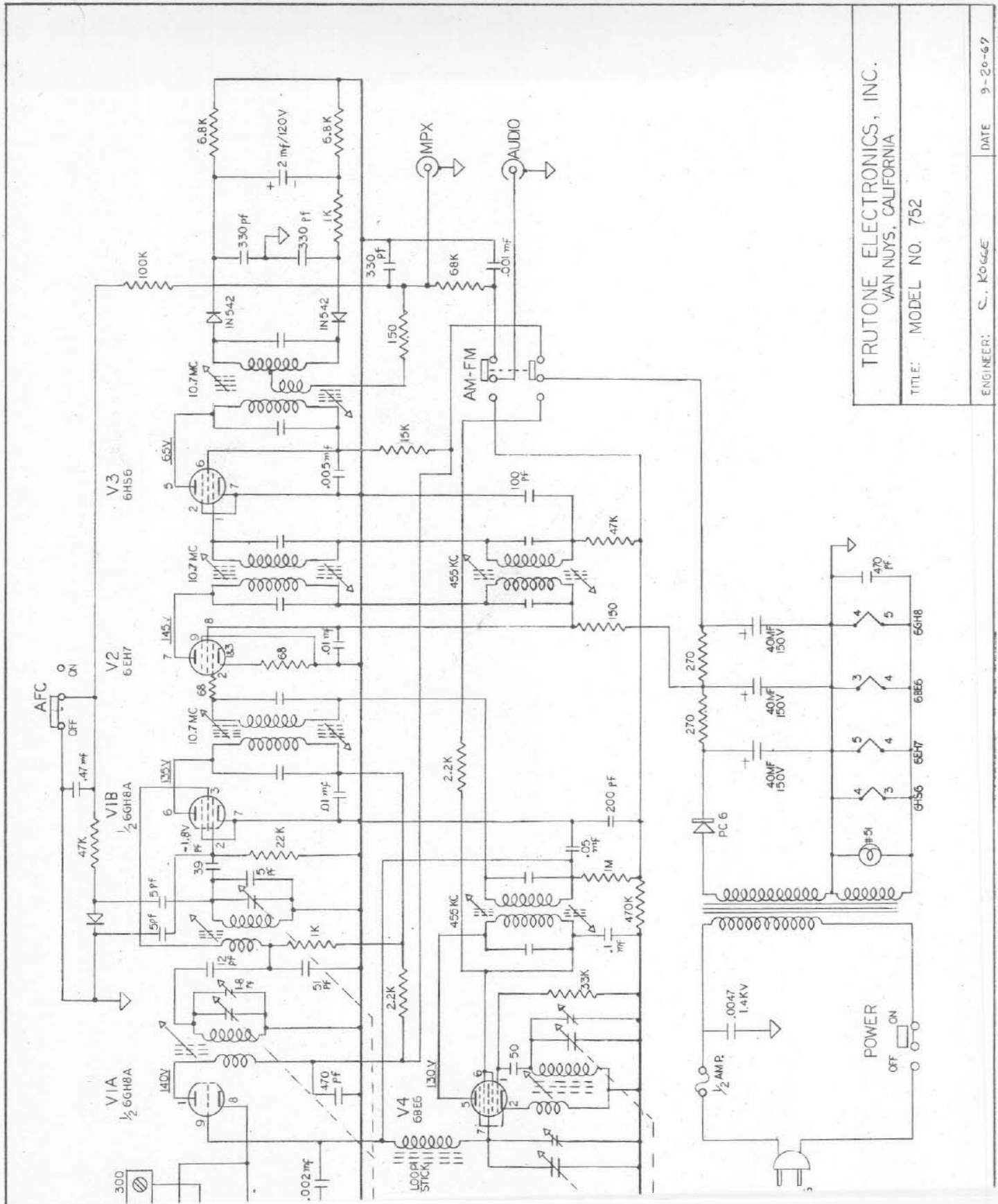
This Warranty is expressly in lieu of all other Warranties, expressed or implied, and of all other obligations or liabilities on our part. We neither assume nor authorize any other person to assume for us any other liability in connection with the products manufactured by Trutone Electronics, Inc.

INSTALLATION:

Because of its attractive appearance, the Tuner may be placed on a table or a bookshelf. If installed in a cabinet, the cover is to be removed, and ample ventilation must be allowed. Model 752 Tuner is designed to operate on a 110 to 120 volt, 60 cycle A.C. line.

All connections are provided on the rear of the unit. One end of a proper patch cord is to be connected into the audio jack and the other end inserted in the input jack of the audio amplifier, which is usually designated as a "Radio" or "Tuner". The Multiplex jack can be used for connecting to a Multiplex Converter to receive simultaneous signals on both FM and Multiplex broadcast, and for Multiplex Stereo Reception. The unit is to be plugged either in the rear of the amplifier or in the event the amplifier does not have an A.C. receptacle, insert in any 110 volt A.C. outlet.

There are three slide switches on the left side of the front panel. The upper switch marked "Power" is to turn the Tuner on or off. The lower slide switch (MODE) is used to select either AM or FM. The center slide switch is used to turn the AFC on or off in accordance with the instructions as indicated below. The knob at the right is used to tune the desired station for either AM or FM reception.



TRUTONE ELECTRONICS, INC.
 VAN NUYS, CALIFORNIA

TITLE: MODEL NO. 752

ENGINEER: C. KOGGE

DATE 9-20-67

Free Manuals Download Website

<http://myh66.com>

<http://usermanuals.us>

<http://www.somanuals.com>

<http://www.4manuals.cc>

<http://www.manual-lib.com>

<http://www.404manual.com>

<http://www.luxmanual.com>

<http://aubethermostatmanual.com>

Golf course search by state

<http://golfingnear.com>

Email search by domain

<http://emailbydomain.com>

Auto manuals search

<http://auto.somanuals.com>

TV manuals search

<http://tv.somanuals.com>