

Description and Wiring Diagrams

Model PH-3500 Headset (300623 Series)



General Description

The Telex PH-3500 is a passive noise attenuating headset for use in a noisy environment. Dual controls allow the user to individually adjust the volume level for each ear. Using the latest design and modeling techniques, Telex has been able to maximize the amount of hearing protection provided by the PH-3500, while at the same time minimizing weight. The PH-3500 has a noise reduction rating of 24 dB, and is suitable for use in noisy environments. The PH-3500 features a unique headband design that provides comfort for long periods of time. Two versions of the PH-3500 are available: with a male or female XLR4 connector.

Design Features

Comfortable foam-filled headband pad and ear cushions. The headband pad evenly distributes the headset weight, with no pressure points, for maximum comfort. The ear cushions combine comfort and light weight with an excellent acoustic seal. An outer urethane layer ensures long life. Gel-filled ear cushions are also available for this headset for users who prefer this type. All cushions are field-replaceable.

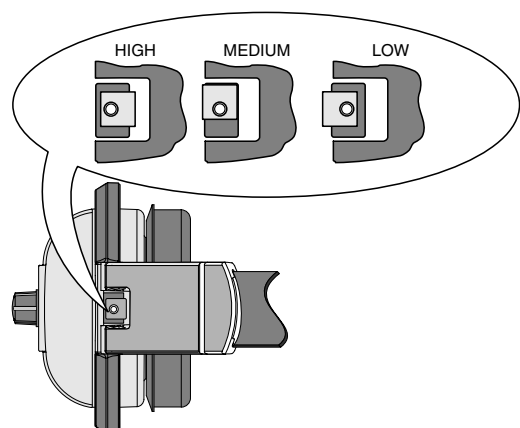
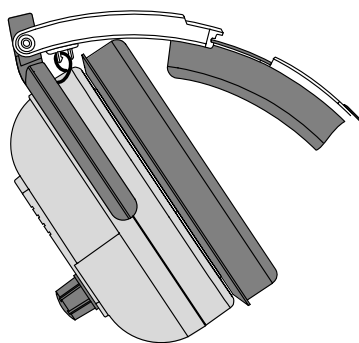
Boom Microphone: The boom arm features a sealed ball-and-socket joint and flexible boom for precise microphone placement on any head size. The boom and cord rotate for microphone placement on either side of the head. The microphone cartridge is an electret condenser element. The microphone housing and cartridge are easily removed for replacement.

Cordage: The microphone cordage is protected inside the boom arm. Shielded wire throughout the headset protects against RFI and EMI. Strain-reliefs on all cords provide maximum durability.

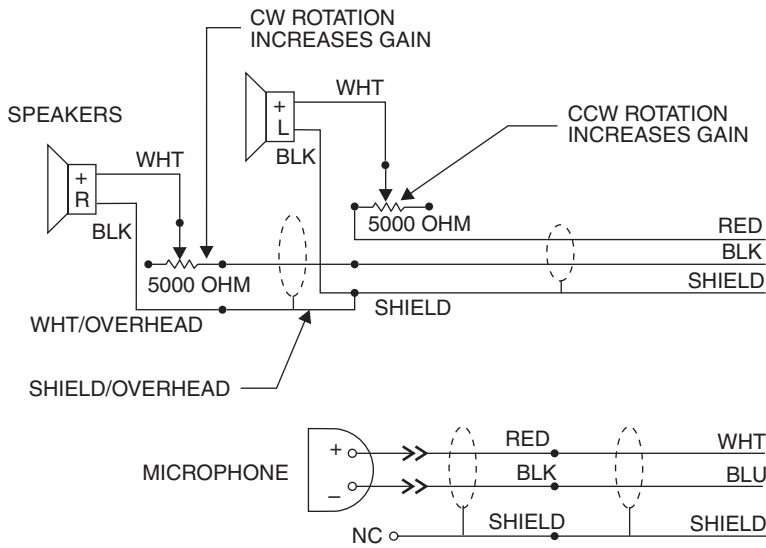
Operation

Headband Pressure Adjustments

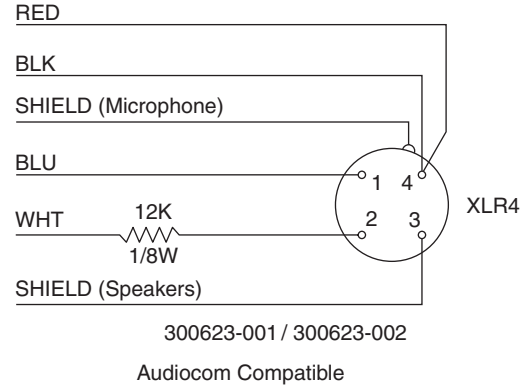
There are three pressure settings. Increasing the pressure will improve the seal between the earcup and the head for greater noise reduction. To change the pressure setting, remove the headset and fold the earcup inward as shown, then rotate the adjustment knob to the desired setting. Repeat for both earcups. Both sides of the headband should be set to the same pressure setting to keep the headband properly centered on the head.



PH-3500 Headset



Connectors



SPECIFICATIONS

Receivers:

Type: Dynamic
 Frequency Response: 350 Hz - 3.0 kHz ± 6 dB (150 Ω at max. volume)
 Sensitivity: 90 ± 5 dB SPL (1 kHz, 1 mW input)

Microphone and Amplifier:

Element Type: Noise-canceling electret condenser
 Frequency Response: 100 Hz - 3.5 kHz
 Sensitivity: -53 ± 2 dB (ref: 1 V/ μ bar)
 Output Impedance: 50 ohms (designed for intercom input impedances from 50 - 600 ohms)
 Operating Voltage: 8 - 30 Vdc

Cordage:

Straight cord, 5 ft. (1.5 m)

Connectors:

4 pin XLR male or female XLR4 connector

Weight:

Gross Weight: Approx 13.6 oz. (385 g)

Color: Satin black

ORDERING INFORMATION

Description	Catalog No.
PH-3500 Double sided w/boom, 4 pin female XLR connector	300623-001
PH-3500 Double sided w/boom, 1/4" stereo phone plug	300623-002
Foam Ear Cushions (set of 2)	800147-001
Gel-filled Ear Cushions (set of 2)	800027-002
Replacement Head Pad	800146-000
Replacement Microphone Housing Assembly	800136-002
Windscreen	57012-001

TELEX®

Free Manuals Download Website

<http://myh66.com>

<http://usermanuals.us>

<http://www.somanuals.com>

<http://www.4manuals.cc>

<http://www.manual-lib.com>

<http://www.404manual.com>

<http://www.luxmanual.com>

<http://aubethermostatmanual.com>

Golf course search by state

<http://golfingnear.com>

Email search by domain

<http://emailbydomain.com>

Auto manuals search

<http://auto.somanuals.com>

TV manuals search

<http://tv.somanuals.com>