
Dyna-Glo™, Dyna-Glo™ Delux

PROPANE CONSTRUCTION HEATER

USER'S INSTRUCTION MANUAL

- Dyna-Glo™ Delux** RMC-FA40DLX (40,000 BTU/HR, FORCED - AIR)
MODELS: RMC-FA100DLX (70,000/100,000 BTU/HR, FORCED - AIR)
RMC-FA150DLX (120,000/150,000 BTU/HR, FORCED - AIR)
- Dyna-Glo™** RMC-FA40A (40,000 BTU/HR, FORCED - AIR)
MODELS: RMC-FA50A (30,000/50,000 BTU/HR, FORCED - AIR)
RMC-FA100A (70,000/100,000 BTU/HR, FORCED - AIR)
RMC-FA150A (120,000/150,000 BTU/HR, FORCED - AIR)



☞ GENERAL HAZARD WARNING:

FAILURE TO COMPLY WITH THE PRECAUTIONS AND INSTRUCTION PROVIDED WITH THIS HEATER, CAN RESULT IN DEATH, SERIOUS BODILY INJURY AND PROPERTY LOSS OR DAMAGE FROM HAZARDS OF FIRE EXPLOSION, BURN, ASPHYXIATION, CARBON MONOXIDE POISONING, AND/OR ELECTRIC SHOCK.

ONLY PERSONS WHO CAN UNDERSTAND AND FOLLOW THE INSTRUCTIONS SHOULD USE OR SERVICE THIS HEATER.

IF YOU NEED ASSISTANCE OR HEATER INFORMATION SUCH AS AN INSTRUCTION MANUAL, LADLES, ETC. CONTACT THE MANUFACTURER.

☞ **RETAIN THIS INSTRUCTION MANUAL FOR FUTURE REFERENCE**

5/05 Rev.1

TABLE OF CONTENTS

• Introduction & Specifications	4
• General Safety Instructions	5
• Product Features	5
• Unpacking Heater	6
• Size & Capacity Of Propane Cylinders	6
• Installation To The Propane Gas Tank	7
• Refilling The Propane Gas Tank	7
• Leak Checking & Location Heater	8
• Lighting & Shutdown Instructions	8
• Test Firing Heater & Storage	9
• Wiring Diagrams	10
• Troubleshooting	11
• Replacement Parts List	12
• Warranty Information	

⚠ WARNING: FIRE, BURN, INHALATION, AND EXPLOSION HAZARD, KEEP SOLID COMBUSTIBLES, SUCH AS BUILDING MATERIALS, PAPER OR CARDBOARD, A SAFE DISTANCE AWAY FROM THE HEATER AS RECOMMENDED BY THE INSTRUCTIONS.

NEVER USE THE HEATER IN SPACES WHICH DO OR MAY CONTAIN VOLATILE OR AIRBORNE COMBUSTIBLES, OR PRODUCTS SUCH AS GASOLINE, SOLVENTS, PAINT THINNERS, DUST PARTICLES OR UNKNOWN CHEMICALS.

⚠ WARNING: NOT FOR HOME OR RECREATIONAL VEHICLE USE.

Dyna-Glo Propane Forced Air Construction Heaters

The heater is designed and approved for use as a construction heater under ANSI Z83.7., CSA2.14

It is hard to anticipate every use which may be made of this heater. **CHECK WITH YOUR LOCAL FIRE SAFETY AUTHORITY IF YOU HAVE QUESTIONS ABOUT APPLICATIONS.**

Other standards govern the use of fuel gases and heat producing products in specific applications. Your local authority can advise you about these.

IMPORTANT: Read this user's manual carefully and completely before trying to operate or service this heater. Improper use of this heater can cause serious injury or death from fire, explosion and carbon monoxide poisoning.

This is a direct-fired forced-air construction heater for either indoor or outdoor use. Its intended use is primarily the temporary heating of buildings or structures under construction, alteration or repair. All the products of combustion generated by the heater are forced through the heater and released into the area being heated. This heater operates at approximately 98%+ combustion efficiency but still produces a small amount of carbon monoxide. Humans can tolerate small amounts of carbon monoxide for short periods. Carbon monoxide can build up in a heated space and failure to provide adequate ventilation could result in poisoning or death.

☞ **WARNING: Not for use with ductwork.**

SPECIFICATIONS:

Model No.	RMC-FA40DLX		-		RMC-FA100DLX	RMC-FA150DLX
	<u>RMC-FA40A</u>	<u>RMC-FA(50A)</u>	<u>RMC-FA100A</u>	<u>RMC-FA150A</u>		
Input Rating	40,000 Btu/hr -	30,000 Btu/hr 50,000 Btu/hr	70,000 Btu/hr 100,000 Btu/hr	120,000 Btu/hr 150,000 Btu/hr		
Type of Gas	Propane	Propane	Propane	Propane		
Gas Supply Pressures to Regulator Maximum	Cylinder Pressure	Cylinder Pressure	Cylinder Pressure	Cylinder Pressure		
Minimum (for purpose of Input Adjustment)	5psig	5psig	5psig	5psig		
Manifold Pressure	11" W.C.	10" W.C.	9.5" W.C	8" W.C.		
Gas Consumption	1.9lbs/hr 3.3lbs/hr	2.3lbs/hr 1.4lbs/h	4.6lbs/hr 3.3lbs/h - 5.6lbs/hr	7lbs/hr 5.6lbs/hr		
Electrical Input	120V, 60Hz, 1 Ø	120V, 60Hz, 1 Ø	120V, 60Hz, 1 Ø	120V, 60Hz, 1 Ø		
Amperage	Unload Load	0.35A 0.63A	0.58A 0.75A	0.6A 0.8A	0.6A 0.8A	
Fan	Unload Load	3550rpm 3000rpm	3570rpm 3300rpm	3580rpm 3300rpm	3580rpm 3300rpm	
Ignition	Piezo/Manual Spark	Continuous Spark	Continuous Spark	Continuous Spark		
Spark Gap	0.16"	0.16"	0.16"	0.16"		
Size (L x W x H)	18.1" x 7.7" x 12.8"	18.1" x 7.7" x 12.8"	25.12" x 9" x 15.5"	25.12" x 9" x 15.5"		
Weight	15.2lbs (6.9kg)	15.2lbs (6.9kg)	22.7lbs (10.3kg)	22.7lbs (10.3kg)		

GENERAL SAFETY INSTRUCTIONS:

Accidents are always tragic especially because so many of them could have been prevented with little care and judgment. There are some basic good practices, we hope you will follow for safe use of your heater.

IMPORTANT SAFETY INFORMATION:

- Children should be carefully supervised, when they are in the area.
- Always maintain proper clearance from combustible materials. Minimum clearance from combustibles. Side - 24"; Top - 36"; Combustible and Front - 72". Floor -noncombustible.
- Heater must be placed on level and adequate level and stable surface
- Never place anything including clothes or other flammable items on the heater.
- The appliance area shall be kept clear and free from combustible materials, gasoline and other flammable vapours and liquids.
- Do not modify or operate a heater which has been modified.
- Adequate clearance for accessibility and for combustion & ventilation air supply must be maintained at all times when the heater is operating.
- Service and repair should be done by a qualified service person. The heater should be inspected before each use and at least annually by a qualified person. More frequent cleaning may be required as necessary. Do not service while hot or operating.
- Never connect heater to an unregulated gas supply.
- The heater is shipped from the factory for LP(Propane) gas. This heater is for use with propane gas only, do not convert heater to any other gas. Installation must conform to local codes or, in the absence, with the standard for the Storage and Handling of Liquefied Petroleum Gases ANSI/NFPA NFPA 58 and the Natural Gas and Propane Installation Code CSA B149.1
- The minimum and maximum inlet pressures to the regulator from the gas tank are 5 psi and bottle pressure, respectively. Use only the regulator & hose assembly provided with the heater. Inspect the regulator/hose assembly prior to each use of the heater. If there is excessive abrasion or wear, or hose is cut, replace with regulator/hose assembly listed on the parts list prior to using this heater.
- Gas supply connections should be checked using a 50/50 solution of liquid dish soap and never use a flame to check for gas leaks.
- The electrical connection & grounding must comply with National Electrical Code. ANSI/NFPA 70 or in Canada CSA C22.1, Canadian Electrical Code, Part 1. Use only a properly grounded three (3) prong receptacle.
- Do not restrict inlet or outlet by any means. The flow of combustion and ventilation air is not to be obstructed.
- Forced air heaters should not be directed toward any propane or gas container within 20 feet of the exit nozzle. The heater should also be located at least 6 feet away from any propane gas container (regulations in Canada are 10 feet)
- The propane cylinder supply system must be arranged to provide for vapour withdrawal from the operating cylinder.

WARNING: Motor and fan must be running before lighting, during operation and at shutdown, in order to prevent a flame-out condition which could result in personal injury or property damage.

PRODUCT FEATURES:

- Portable, Stable & Fully Assembled
- Wind Resistant & Rain Protected
- Continuous Spark Ignition or Piezo Electric Spark Ignition
- 100% Safety Shutoff System
- Adjustable Input Ratings

UNPACKING:

1. Remove heater from carton.
2. Remove all protective packing applied to heater for shipment.
3. Retain cartons and packaging material until unit is operated and found in good condition.
4. Check heater for any shipping damage. If heater shows any external or internal damage, promptly inform dealer/distributor where you purchased heater.

INFORMATION ON SIZE * CAPACITY OR PROPANE GAS CYLINDERS:

The chart below shows the number and size of propane tanks needed to run this heater.

*Less gas is vaporized at lower temperatures.

You may need two or more 100 pound tanks or one larger tank in colder weather.

Temperature (°F) At tank	Number of Tanks		
	40,000 BTU/h-50,000BTU/h	100,000 BTU/h	150,000 BTU/h
Above 32°F	1 - 20lb	1 - 100lb	1 - 100lb
32°F	1 - 20lb	1 - 100lb	2 - 100lb
20°F	1 - 20lb	2 - 100lb	3 - 100lb
10°F	1 - 20lb	3 - 100lb	3 - 100lb
-10°F	2 - 20lb	Use Larger Tank	Use Larger Tank
-20°F	1 - 100lb	Use Larger Tank	Use Larger Tank

(See the parts list for your model of heater to get the specified regulator assembly.)

The propane (LP) gas tank must also be equipped with the following:

- A collar to protect the Propane gas valve.
- A shutoff valve terminating a Propane gas cylinder valve outlet as specified in the American National Standards for Compressed Gas Cylinder Valve Outlets and Inlet Connections.
- A safety relief valve having direct communications with the vapor space of the tank.
- An arrangement of vapor withdrawal.

The propane (LP) gas pressure regulator and hose assembly supplied with this heater must be used without alteration.

The hose assembly shall be visually inspected prior to each use of the heater. If it is evident that there is excessive abrasion or wear, or the hose is cut, it must be replaced prior to the heater being put into operation. The replacement hose assembly shall be that specified by the manufacturer. (See page 11, Part number 42)

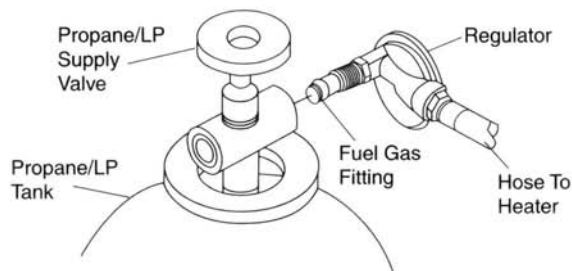


Figure 1

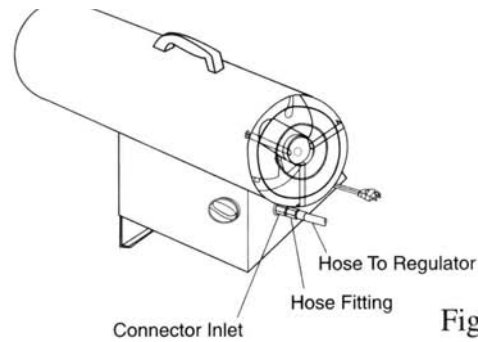


Figure 2

INSTALLATION TO THE PROPANE GAS TANK:

IMPORTANT: You must use a propane/LP gas supply cylinder that is compatible with the connection device provided with the hose and regulator.

1. Provide propane/LP supply system (see Propane/LP Supply, page 6).
2. Connect fuel gas fitting hose/regulator assembly to propane LP tank(s). Turn fuel fitting counter-clockwise into threads on tank. Tighten firmly using a wrench. **IMPORTANT:** Position regulator so that hose leaving the regulator is in a horizontal position (see Figure 1)
3. Connect hose to heater inlet. Tighten firmly using a wrench. You must use the regulator supplied with heater.
4. Open propane/LP supply valve on propane/LP tank(s) slowly. **NOTE:** If not opened slowly, excess flow device in regulator may stop gas flow. If this happens, close propane/LP supply valve, wait one minute (or until you hear a click) and open again slowly.
5. Check all connections for leaks. Apply a 50/50 solution of liquid dish soap and water to gas joints. Bubbles forming show a leak that must be corrected.
6. Close propane / LP supply valve before attempting to repair connection.

WARNING: Purging and filling of LP gas tanks must be performed by personnel who has been thoroughly trained in accepted LP gas industry procedures. Failure to follow these instructions may result in explosion, fire, severe personal injury, or death.

REFILLING THE PROPANE GAS TANK:

ALL NEW CYLINDERS MUST BE PURGED BEFORE THE FIRST FILLING.

- Turn heater gas valve knob and gas tank valve to OFF position.
- Propane tank valve equipped with the old style fitting has LEFT HANDED THREADS. Turn POL fitting **CLOCKWISE** to loosen. Protect POL fitting when disconnected from tank.
- Have tank filled by your local Propane gas supplier.
- Some propane tanks have a bleed-off valve. This valve should be inspected for leaks after each filling of the tank. Turn clockwise to close the valve.
- Fasten full Propane tank and connect POL fitting to tank valve by turning **COUNTERCLOCKWISE**.
- With heater gas valve knob still in the OFF position, turn ON tank valve and check for leaks with soap solution.

Propane is safe to use when properly handled. Careless handling of the Propane gas tank could result in fire and/or an explosion. Therefore:

- Always keep tank/cylinder securely fastened in an upright position.
- Avoid tipping tank on its side when connected to a regulator since this may cause damage to diaphragm in regulator.
- Handle valves with care.
- Never connect an unregulated Propane tank to construction heater.
- Do not subject Propane tank to excessive heat.
- Tightly close the gas shutoff valve on the Propane tank after each use.
- The POL fitting must be protected when disconnected from the propane tank.
- Never store a Propane gas tank inside a building or in the vicinity of any gas burning appliance.

THE DISCONNECTED TANK MUST NEVER BE STORED IN A BUILDING, GARAGE OR ANY OTHER ENCLOSED AREA.

LEAK CHECKING:

Check all gas connections with a soap solution to be sure they are tight and leak proof.

- The installation of your heater must meet all local codes and/or gas utility requirements or, in the absence of local codes, with the Storage and Handling of Liquefied Petroleum Gases, ANSI/NFPA 58 and the Natural and Propane Installation Code, CSA B149.1.
- The minimum clearances to combustible construction shown above must be maintained at all times.
- The hose assembly should be visually inspected prior to each use of the heater. If it is evident that there is excessive abrasion or wear, or the hose is cut, it must be replaced prior to the heater being put into operation.
- The replacement hose assembly shall be that specified by the manufacturer (See page 11 for part numbers).

LIGHTING INSTRUCTIONS:

WARNING: Motor and fan must be running before lighting, during operation and shutdown, in order to prevent a flame-out condition which could result in personal injury or property damage.

1. Connect power cord to a properly grounded three (3) prong 120V, 60Hz, single phase receptacle.
2. Turn gas valve knob clockwise to OFF position.
3. Wait five (5) minutes to clear any gas. Then smell for gas, if you don't smell gas, go to next step.
4. Turn gas supply ON by turning Propane tank valve counterclockwise.
5. Push in and turn gas control knob counterclockwise to "LOW/IGN". This will light the burner. If needed, keep pressing control knob until the burner lights and keep depressing and turning from OFF to LOW/IGN on Piezo electric spark models. ("HIGH/IGN": In case of RMC-FA40DLX)
6. Keep the valve knob depressed for at least 30 seconds after lighting the burner. After 30 seconds release valve knob.
7. If burner does not stay lit, repeat the lighting procedure.
8. When burner is lit, turn gas valve knob counterclockwise to desired setting. (All models, except RMC-FA40DLX, RMC - 40 has only one heat setting)

SHUTDOWN INSTRUCTIONS:

Shutoff Heater:

WARNING: Motor and fan must be running before lighting, during operation and at shutdown, in order to prevent a flame-out condition which could result in personal injury or property damage.

Turn gas valve knob clockwise to OFF position.

Turn gas supply OFF by turning Propane tank valve clockwise to close.

Disconnect the power cord once the heater has cooled to ambient temperature.

TEST FIRING HEATER:

Test fire your construction heater, following the lighting instructions applicable to the gas control system employed. Leak test all gas connections with soap solution. Soap bubbles indicate gas leakage. DO NOT use a match or flame to test for gas leaks.

STORAGE: Never store a Propane gas tank inside a building or in the vicinity of any gas or oil burning appliance. When the Propane tank is not disconnected from the construction heater, the gas tank and heater must be stored outdoors in a well ventilated area, out of the reach of children. If for any reason the heater is to be stored indoors, the tank must be disconnected and stored outdoors in a well ventilated area out of reach of children, in accordance with the standard for the the Storage and Handling of Liquefied Petroleum Gases, ANSI / NFPA 58 and CSA B149.1, Natural Gas and Propane Installation Code. The plastic tank valve plug supplied with your tank must be tightly installed when the tank is disconnected from the heater.

MAINTENANCE INSTRUCTIONS:

1. Turn unit off, allow heater to fully cool and disconnect propane hose before performing any Maintenance functions.
2. Keep unit clean and keep the inside of the torpedo housing debris free.
3. Have unit checked by a qualified technician at least once a year, preferably prior to the heating season.

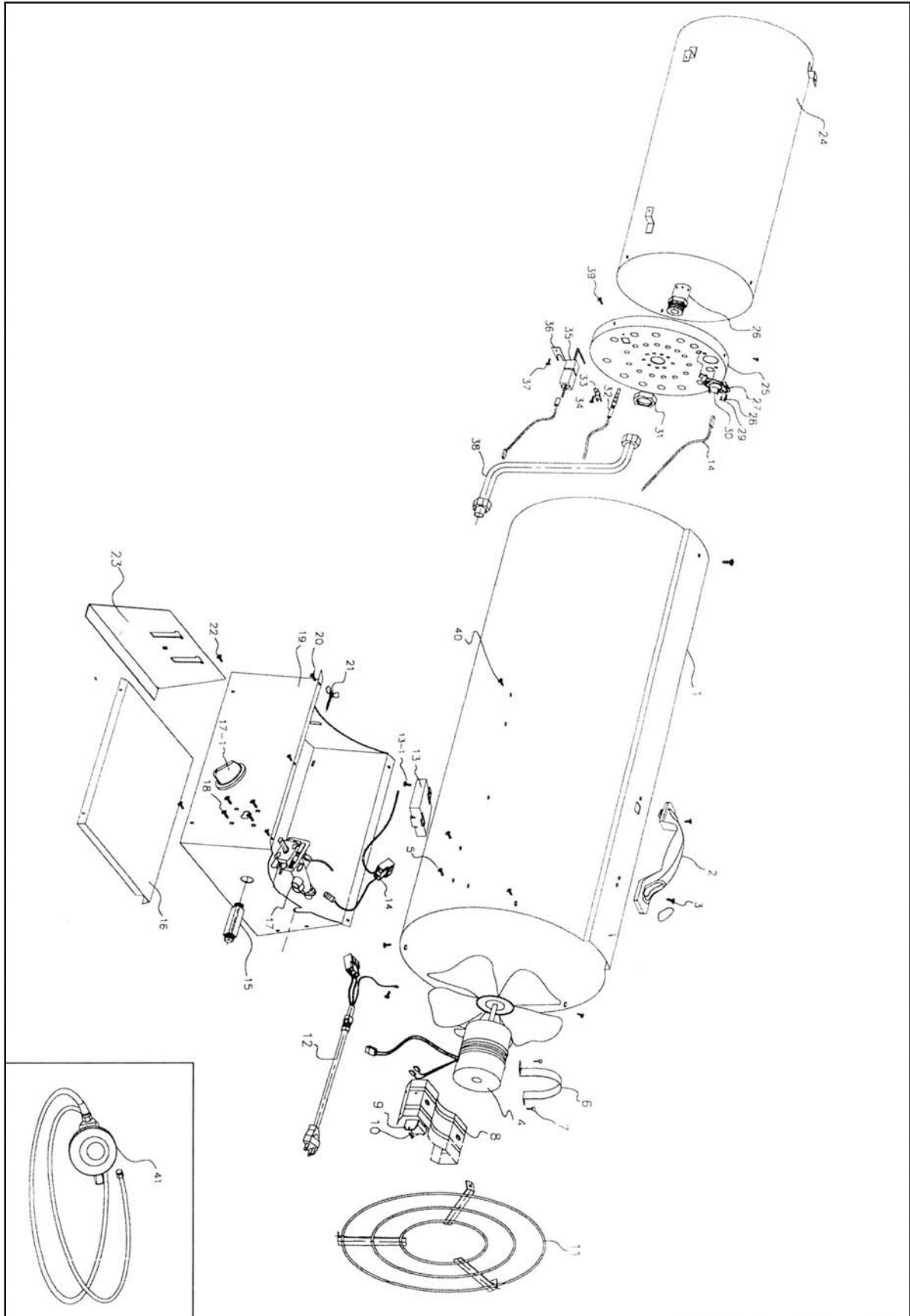
TROUBLESHOOTING:

PROBLEM	POSSIBLE CAUSE	CORRECTIVE ACTION
Fan does not turn when electrical connection is made.	<ol style="list-style-type: none">1. No electric power to heater.2. Fan blade contacts inside of heater housing.3. Fan blade(s) bent4. Fan motor defective.	<ol style="list-style-type: none">1. Check current to electric outlet. If voltage is correct, check power cord and extension cord for cuts and extension cord for cuts and breaks.2. Be sure that housing is not damaged. Make sure there are no obstructions to the fan.3. Straighten blade(s) to match others.4. Replace motor.
Heater will not fire.	<ol style="list-style-type: none">1. No spark at ignitor.2. Improper spark gap.3. Bad electrode.	<ol style="list-style-type: none">1. Check ignitor wire. Re-attach or tighten if loose. Check Spark module. Replace if necessary.2. Set gap to 0.16"3. Replace Spark Plug.
Heater quits while running.	<ol style="list-style-type: none">1. Internal temperature too high causing limit switch to shut down operation.2. Damaged Control Valve.3. Dust or debris build-up inside of heater.	<ol style="list-style-type: none">1. If the heaters output is restricted, internal temperature becomes too high. Move heater away from any obstructions.2. Replace Control Valve.3. Clean inside of heater.

Always be sure to follow proper maintenance procedures, by cleaning the heater once per month during regular usage, and check spark gap at least once per season.

PROPANE CONSTRUCTION HEATER ILLUSTRATED

40,000 BTU/Hr - 50,000 BTU/Hr

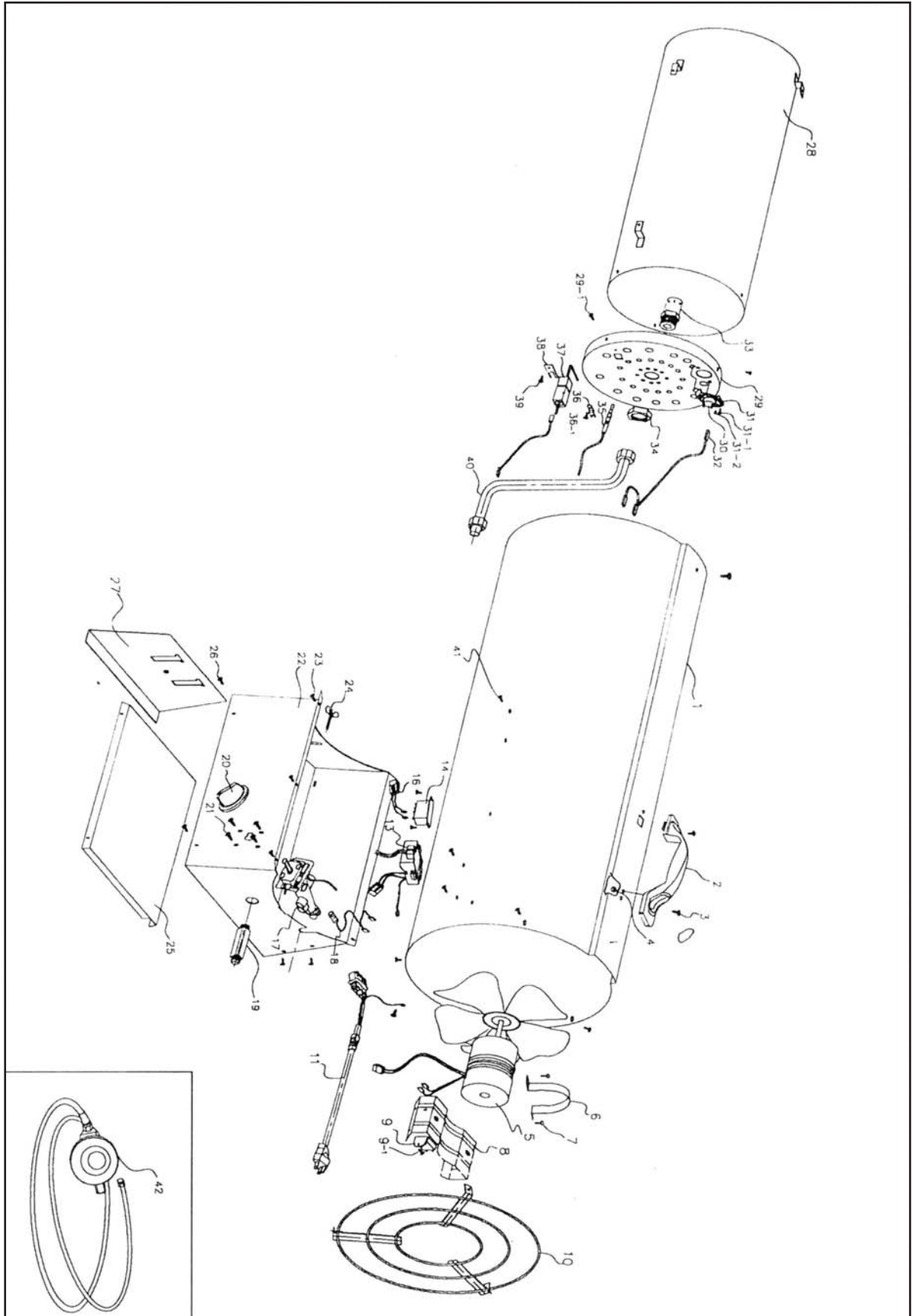


ILLUSTRATED PARTS BREAKDOWN

ITEM NO.	DESCRIPTION	QTY.	PART NUMBER	REMARK
			RMC-FA40DLX/ RMC-FA40A/RMC-FA50A	
1	OUT SHELL	1	CFM40.01	
2	HANDEL ASSEMBLY	1	CFM40.10	
3	SCREW	2	M5X10	
4	MOTOR ASSEMBLY	1	CFM40.09-02	
4-1	FAN	1	CFM40.05-01	
5	SCREW	4	ST3.9X8	
6	SUPPORT MOTOR	1	CFM40.06-02	
7	SUPPORT MOTOR SCREW	2	M6X15	
8	MOTOR BRACKET	1	CFM40.06-01	
9	MOTOR CONDENSER	1	CFM50.09-03	
10	SCREW	1	M4X8	
11	GUARD FAN	1	CFM40.08	
12	POWER CORD	1	CFM40.09-01A	
13	PCB ASSEMBLY	1	3TH0001	
13-1	SCREW	1	ST4.2X10	
14	LEAD WIRE ASSEMBLY	1	CFM40.09-03.01A	
15	CONNECTOR INLET	1	CFM40.13	
16	BASE LOWER	1	CFM40.02-03	
17	VALVE	1	CK-890SL-A1(A)	
17-1	VALVE KNOB	1	CFM40.11	
18	SCREW	4	ST3.9X8	
19	BASE ASSEMBLY	1	CFM40.02	
20	SCREW	4	ST4.2X10	
21	WING BOLT	1	CFM40-M6X12	
22	SCREW	1	ST4.2X10	
23	HEIGHT CONTROLLER	1	CFM40.02-04	
24	SHELL IN ASSEMBLY	1	CFM40.03	
25	FLAME HOLDER	1	CFM40.03-02	
26	NOZZLE	1	CFM40.12-01	
27	THERMAL SWITCH BRACKET	1	CFM40.07-02	
28	SCREW	1	ST4.2X10	
29	SCREW	1	ST2.9X6	
30	THERMAL SWITCH	1	CFM50.09-06	
31	NOZZLE NUT	1	CFM80.00-07	
32	THERMOCOUPLE	1	1130/1395C-180	
33	THERMOCOUPLE BRACKET	1	CFM40.07-01	
34	SCREW	1	ST4.2X10	
35	SPARK PLUG	1	CFM40.09-04	
36	SPARK PLUG BRACKET	1	CFM80.00-04	
37	SCREW	1	ST4.2X10	
38	TUBING ASSEMBLY	1	CFM40.12	
39	SCREW	3	ST4.2X10	
40	SCREW	6	ST3.9X8	
41	REGULATOR ASSEMBLY	1	TYQ-9C	

PROPANE CONSTRUCTION HEATER ILLUSTRATED

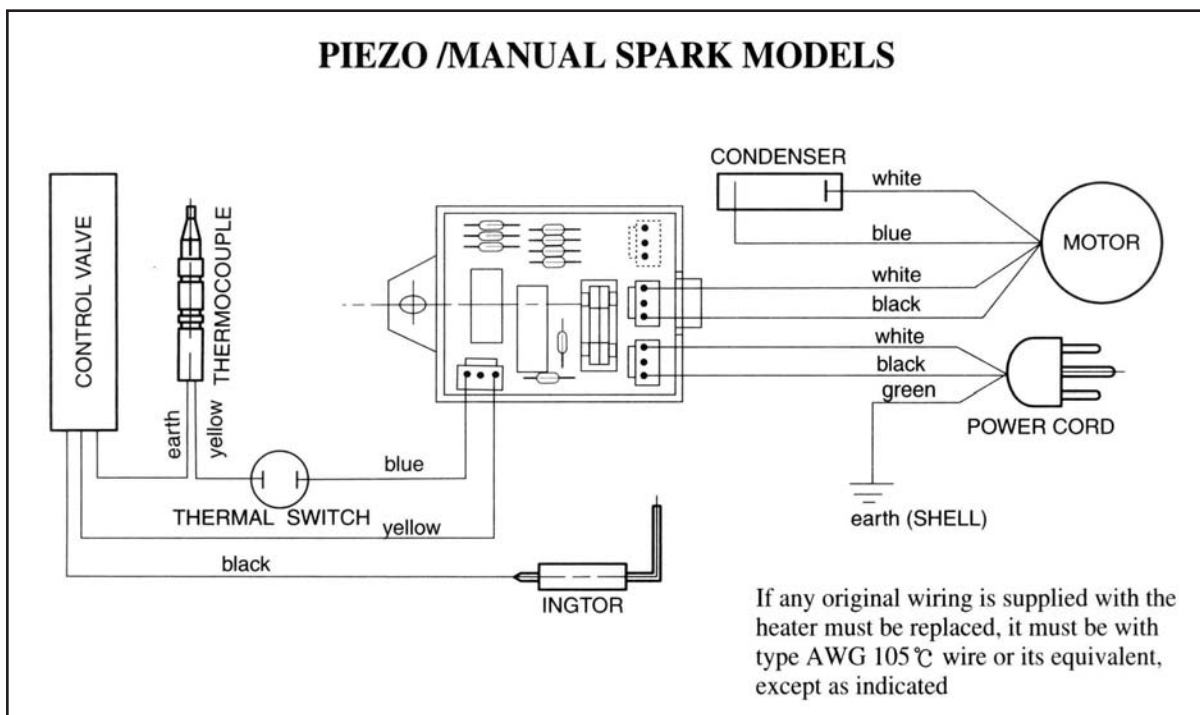
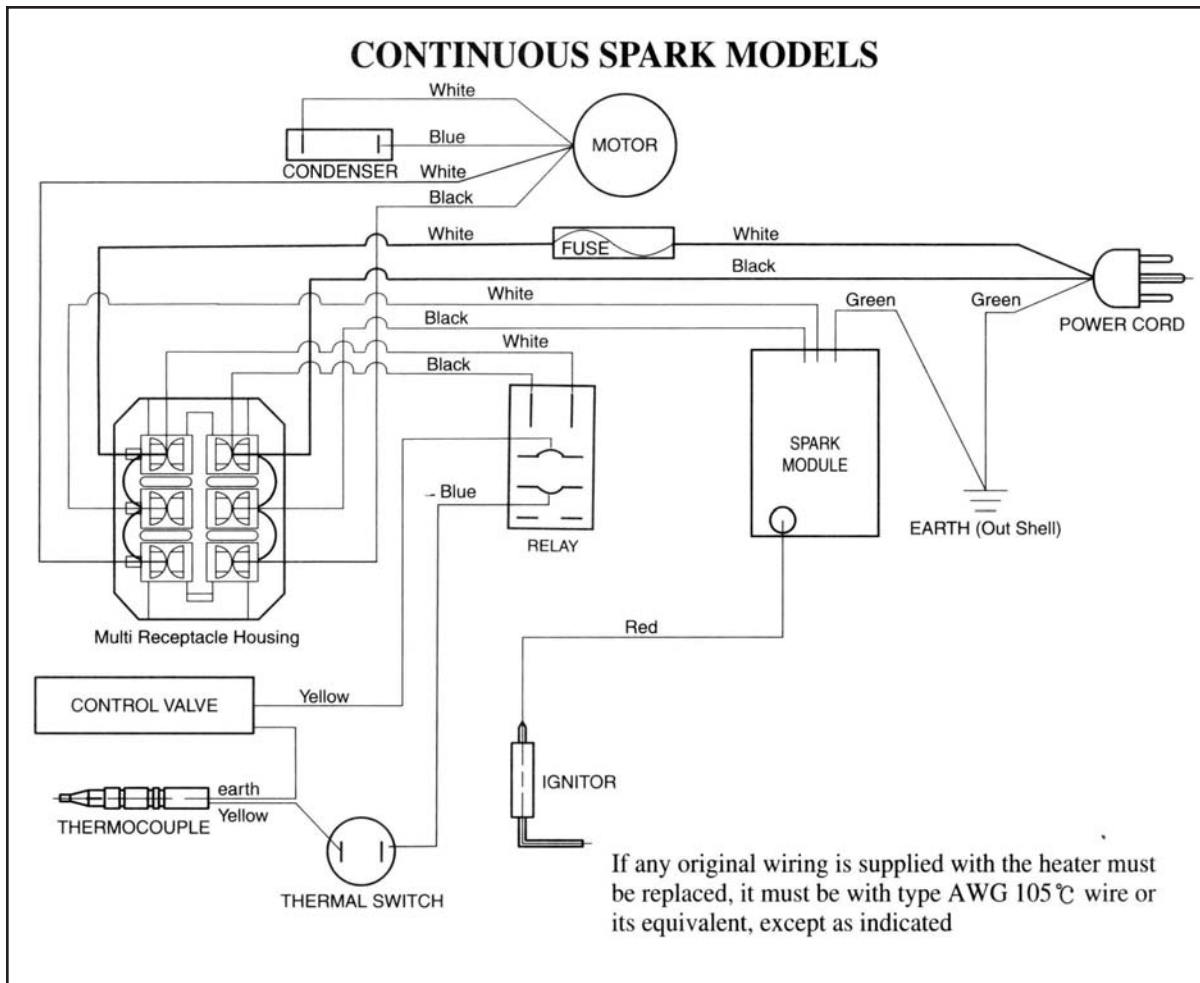
100,000 BTU/Hr - 150,000 BTU/Hr



ILLUSTRATED PARTS BREAKDOWN

ITEM NO.	DESCRIPTION	QTY.	PART NUMBER		REMARK
			RMC-FA100DLX/ RMC-FA100A	RMC-FA150DLX/ RMC-FA150A	
1	OUT SHELL	1	1A0091A	1A0091B	
2	HANDEL ASSEMBLY	1	3A0197	3A0197	
3	SCREW	1	PMF 4012Y	PMF 4012Y	
4	NUT	1	HOT04Y	HOT04Y	
5	MOTOR ASSEMBLY	1	2A0169B	2A0169B	
5-1	MOTOR FAN	1	3A0199B	3A0199B	
6	MOTOR SUPPORT	1	3A0196	3A0196	
7	MOTOR SUPPORT SCREW	2	HBT 0620W	HBT 0620W	
8	MOTOR BRACKET	1	2A0157	2A0157	
9	MOTOR CONDENSER	1	7 μ F	7 μ F	
9-1	SCREW	1	BT1408W	BT1408W	
10	GUARD FAN	1	2TH0009	2TH0009	
11	POWER CORD	1	3TPH013A	3TPH013A	
12					
13	SPARK MODULE	1	3A0198B	3A0198B	
14	CIRCUIT BOARD ASSEMBLY	1	3TH0001	3TH0001	
15	CIRCUIT SCREW		BT1408W	BT1408W	
16	LEAD WIRE ASSEMBLY	1	4TPH013	4TPH013	
17	VALVE	1	DMV110PB	DMV110PC	
18	MPU LEAD WIRE ASSEMBLY	1	4A0304	4A0304	
19	CONNECTOR INLET	1	4A0234	4A0234	
20	VALVE KNOB	1	3D00279	3D00279	
21	SCREW	4	BT1408W	BT1408W	
22	BASE ASSEMBLY	1	1A0090	1A0090	
23	SCREW	6	BT1408B	BT1408B	
24	HEIGHT ADJUSTER KNOB	1	4TH0034	4TH0034	
25	BASE LOWER	1	1A0092	1A0092	
26	SCREW	6	BT1408B	BT1408B	
27	HEIGHT CONTROLLER	1	3A0192A	3A0192A	
28	COMBUSTION CHAMBER	1	1A0093	1A0093	
29	FLAME HOLDER	1	2A0156	2A0155	
29-1	SCREW	3	BT1406W	BT1406W	
30	THERMAL SWITCH	1	4A0229A	4A0229A	
31	THERMAL SWITCH BRACKET	2	4TH0004	4TH0004	
31-1	SCREW	1	TBQ22362	TBQ22362	
31-2	SCREW	1	TBQ1830V	TBQ1830V	
32	THERMAL SWITCH CABLE	1	4A0299	4A0299	
33	NOZZLE	1	4A0233B	4A0247	
34	NOZZLE NUT	1	4A0207B	4A0235	
35	THERMOCOUPLE	1	3A0207A	3A0207A	
36	THERMOCOUPLE BRACKET	1	4A0260	4A0260	
36-1	SCREW	1	PT2406W	PT2406W	
37	SPARK PLUG	1	4A0287B	4A0287C	
38	SPARK PLUG BRACKET	1	4A0261	4A0261	
39	SCREW	1	PT2406B	PT2406B	
40	TUBING ASSEMBLY	1	3A0222	3A0212	
41	SCREW	11	BT1408W	BT1408W	
42	REGULATOR ASSEMBLY	1	5TH0002	5TH0002	

WIRING DIAGRAMS:



WARRANTY:

SERVICE AND LIMITED WARRANTY

CFM Home Products warrants this product to be free from defects in materials and components for two (2) years from the date of first purchase, provided that the product has been properly installed, operated and maintained in accordance with all applicable instructions. To make a claim under warranty the Bill of Sale or cancelled check must be presented.

This warranty is extended only to the original retail purchaser. This warranty covers the cost of part(s) required to restore this heater to proper operating condition and an allowance for labor when provided by a CFM Home Products Authorized Service Center. Warranty part(s) MUST be obtained through authorized dealers of this product and/or CFM Home Products who will provide original factory replacement parts. Failure to use original factory replacement parts voids this warranty. The heater MUST be installed by a qualified installer in accordance with all local codes and instructions furnished with the unit.

This warranty does not apply to parts that are not in original condition because of normal wear and tear, or parts that fail or become damaged as a result of misuse, accidents, lack of proper maintenance or defects caused by improper installation. Travel, diagnostic cost, labor, transportation and any and all such other costs related to repairing a defective heater will be the responsibility of the owner.

TO THE FULL EXTENT ALLOWED BY THE LAW OF THE JURISDICTION THAT GOVERNS THE SALE OF THE PRODUCT; THIS EXPRESS WARRANTY EXCLUDES ANY AND ALL OTHER EXPRESSED WARRANTIES AND LIMITS THE DURATION OF ANY AND ALL IMPLIED WARRANTIES, INCLUDING WARRANTIES OF MERCHANTABILITY AND FITNESS FOR A PARTICULAR PURPOSE TO TWO (2) YEARS FROM THE DATE OF FIRST PURCHASE PRICE OF THE PRODUCT AND CFM HOME PRODUCTS SHALL NOT BE LIABLE FOR ANY OTHER DAMAGES WHATSOEVER INCLUDING INDIRECT, INCIDENTAL OR CONSEQUENTIAL DAMAGES.

Some states do not allow a limitation on how long an implied warranty lasts or an exclusion or limitation of incidental or consequential damages, so the above limitation on implied warranties, or exclusion or limitation on damages may not apply to you.

This warranty gives you specific legal rights, and you may also have other rights that vary from state to state.

Contact CFM Home Products for consumer information, technical assistance and to obtain replacement parts. You will need to provide the following information when communicating with the help desk:

- Heater type and model number
- Serial Number
- Description of the part or problem.

CFM Home Products
2695 Meadowvale Blvd.
Mississauga, Ontario L5N 8A3 Canada
Tel 1-800-668-5323

Free Manuals Download Website

<http://myh66.com>

<http://usermanuals.us>

<http://www.somanuals.com>

<http://www.4manuals.cc>

<http://www.manual-lib.com>

<http://www.404manual.com>

<http://www.luxmanual.com>

<http://aubethermostatmanual.com>

Golf course search by state

<http://golfingnear.com>

Email search by domain

<http://emailbydomain.com>

Auto manuals search

<http://auto.somanuals.com>

TV manuals search

<http://tv.somanuals.com>