

INSTALLER / CONSUMER SAFETY INFORMATION

Please read this manual
before installing and using
appliance.

WARNING: If the information in
this manual is not followed
exactly, a fire or explosion may
result causing property damage,
personal injury or loss of life.

- Do not store or use gasoline or
other flammable vapors and liquids in
the vicinity of this or any appliance.
- **WHAT TO DO IF YOU SMELL GAS**
- Do not try to light any appliance
- Do not touch any electrical switch;
do not use any phone in your building
- Immediately call your gas supplier
from a neighbor's phone. Follow the
gas supplier's instructions
- If you cannot reach your gas
supplier, call the fire department
- Installation and service must be
performed by a qualified installer,
service agency or the gas supplier.

**Installer: Leave this manual
with the consumer.**

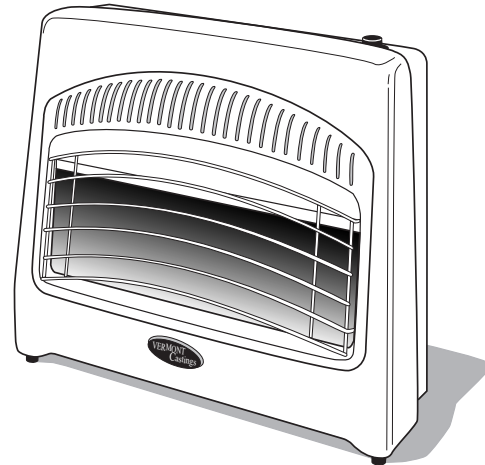
**Consumer: Retain this
manual for future reference.**



Unvented Gas-Fired Room Heater

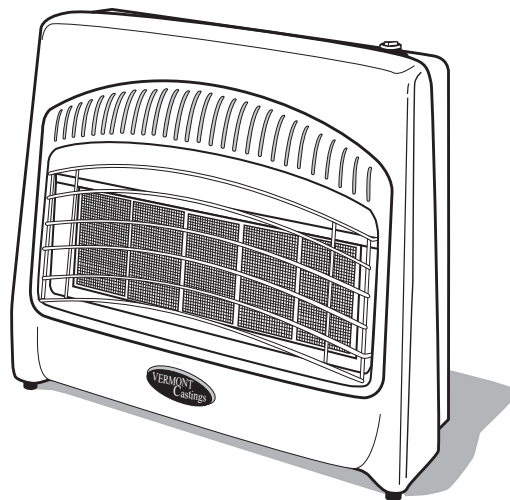
Blue Flame Heaters

Models: VCBV30MN, VCBV30MP - 30,000 Btu/Hr Manual
VCBV20MN, VCBV20MP - 20,000 Btu/Hr Manual
VCBV10MN, VCBV10MP - 10,000 Btu/Hr Manual



Plaque Heaters

Models: VCPV30MN, VCPV30MP - 30,000 Btu/Hr Manual
VCPV18MN, VCPV18MP - 18,000 Btu/Hr Manual
VCPV10MN, VCPV10MP - 10,000 Btu/Hr Manual
VCPV06MN, VCPV06MP - 6,000 Btu/Hr Manual



User's Operation and Installation Manual

20003769 8/02 Rev. 1

General Safety Information

SAFETY: Accidents are always tragic, especially because so many of them could have been prevented with a little care and judgment. There are some basic good practices we hope you will follow for safe use of your gas fired room heater.

IMPORTANT: Read this user's manual carefully and completely before trying to assemble, operate or service this heater. Improper use of this heater can cause serious injury or death from burns, fire, explosion, electrical shock and carbon monoxide poisoning.

Early signs of carbon monoxide poisoning resembles the flu, with headaches, dizziness or nausea. If you have these signs, the heater may not be working properly. **Get fresh air at once!** Have heater serviced. Some people are more affected by carbon monoxide than others. These include pregnant women, people with heart or lung disease or anemia, those under the influence of alcohol and those at high altitudes.

Begin by ensuring proper installation and servicing. Follow the installation instructions provided with this product. Have your heater installed by a qualified technician. Have the installer show you where the gas supply shut off valve is located so that you know where to shut off the gas to the heater. If the connections are not perfectly seated or tightened, you may have a leak and therefore a faint gas smell.

Finding a leak is not a **DO-IT-YOURSELF** procedure. Some leaks can only be found with the main burner gas on and this must be done by a qualified technician.

WARNING:

This appliance is for use with gas referenced on Rating Label. Field conversion is not permitted.

Precautions

- Never use natural gas in a unit designed for liquefied petroleum gases.
- Never use liquefied petroleum gases in a unit designed for natural gas.
- Check all joints and connections. To avoid the danger of fire, accident or explosion, never check a potential gas leak with an open flame.
- The VCBV30, VCBV20, VCPV30 and VCPV18 heaters may not be installed in a bedroom or bathroom.
- The VCBV10 and VCPV10 heaters may be installed in a bedroom, but not a bathroom.
- The VCPV06 heaters may be installed in a bedroom or bathroom.

- This appliance is intended for supplemental heating.
- **Never install the heater in any of the following locations:**
 - Recreational vehicles
 - Where curtains, furniture, clothing or other flammable objects are less than 36" from the front, top or sides of the heater
 - Fireplace
 - High traffic area
 - Drafty areas
- This heater needs fresh, outside air for ventilation to run properly. This heater has an oxygen depletion sensor (ODS) pilot light safety system. The ODS shuts down the heater if not enough fresh air/oxygen content (18%) is available.
- Never run heater in confined space. Refer to Page 4.
- If heater shuts off, do not relight until you provide fresh, outside air. If heater keeps shutting off, have it serviced.
- **Do not run the heater where:**
 - Flammable liquids or vapors are used or stored
 - Dusty condition exists
- Never place any objects on the heater.
- Supervise children when they are in the same room with heater, never allow them to sit, stand or play on or around the heater.
- Make sure grille guard is in place before running heater.
- Do not use heater if any part has been under water. Immediately call a qualified service technician to inspect the room heater and to replace any part of the control system and any gas control which has been under water.
- Keep appliance area clear and free from combustible materials, gasoline and other flammable vapors and liquids.
- Turn off heater and let cool before servicing. Only a qualified technician should service and repair heater.

Table of Contents

General Safety Information	2
Specifications	3
Installation	4
Operating Instructions	8
Troubleshooting	10
Maintenance	11
Replacement Parts	12
Accessories	15

VCBVMN, VCBVMP, VCPVMN, VCPVMP Specifications

Models	Gas Type	Input Rating (Btu/Hr) Variable		Regulator Pressure Setting	Inlet Gas Supply Pressure		Size of Heater	Weight
		Min.	Max.		Min.	Max.		
VCBV30MN	Natural	15,000	30,000	3.0" w.c.	7.0" w.c.	10.5" w.c.	27" x 24" x 8 ⁵ / ₈ "	30 lbs.
VCBV20MN		10,000	20,000				19 ³ / ₈ " x 22 ⁷ / ₈ " x 8 ¹ / ₂ "	22 lbs.
VCBV10MN		5,000	10,000				15 ¹ / ₂ " x 20 ⁷ / ₁₆ " x 7 ⁷ / ₈ "	17 lbs.
VCBV30MP	LP	15,000	30,000	8.0" w.c.	11.0" w.c.	14.0" w.c.	27" x 24" x 8 ¹ / ₂ "	30 lbs.
VCBV20MP		10,000	20,000				19 ³ / ₈ " x 22 ⁷ / ₈ " x 8 ¹ / ₂ "	22 lbs.
VCBV10MP		5,000	10,000				15 ¹ / ₂ " x 20 ⁷ / ₁₆ " x 7 ⁷ / ₈ "	17 lbs.
VCPV30MN	Natural	6,400	30,000	6.0" w.c.	7.0" w.c.	10.5" w.c.	27" X 24" X 8 ⁵ / ₈ "	30 lbs.
VCPV18MN		6,400	18,000				19 ³ / ₈ " x 22 ⁷ / ₈ " x 8 ¹ / ₂ "	22 lbs.
VCPV10MN		5,500	10,000				15 ¹ / ₂ " x 20 ⁷ / ₈ " x 7 ⁷ / ₈ "	17 lbs.
VCPV06MN		2,600	6,000				15 ¹ / ₂ " x 20 ⁷ / ₈ " x 7 ⁷ / ₈ "	17 lbs.
VCPV30MP	LP	6,400	30,000	10.0" w.c.	11.0" w.c.	14.0" w.c.	27" x 24" x 8 ¹ / ₂ "	30 lbs.
VCPV18MP		6,400	18,000				19 ³ / ₈ " x 22 ⁷ / ₈ " x 8 ¹ / ₂ "	22 lbs.
VCPV10MP		5,500	10,000				15 ¹ / ₂ " x 20 ⁷ / ₈ " x 7 ⁷ / ₈ "	17 lbs.
VCPV06MP		2,600	6,000				15 ¹ / ₂ " x 20 ⁷ / ₈ " x 7 ⁷ / ₈ "	17 lbs.

NOTES: For altitudes above 2,000 feet, reduce the input ratings (Btu/Hr) 4% for each 1,000 feet above sea level.

DO NOT USE THIS HEATER AT AN ELEVATION ABOVE 4,500 FEET

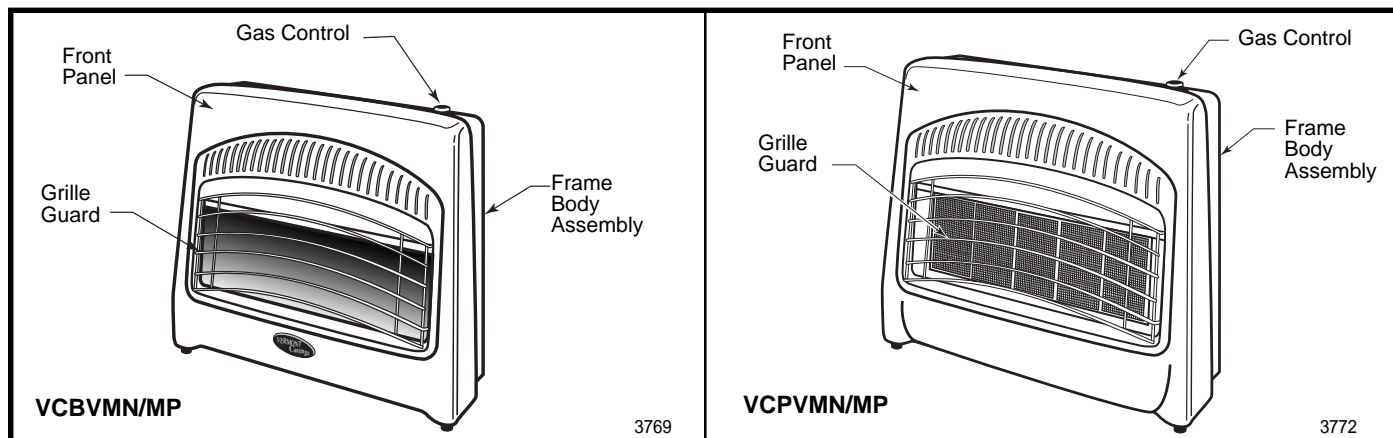


Fig. 1 Product identification.

Local Codes

VCBV30 / VCBV20 / VCBV10
VCPV30 / VCPV18 / VCPV10 / VCPV06
Certified to

ANSI Z21.11.2b-2002 Unvented Heaters

Install and use heater with care. Follow all local codes. In the absence of local codes, use the latest edition of the National Fuel Gas Code ANSI Z223.2, also known as NFPA54.

Available from:

American National Standards Institute, Inc.
1430 Broadway
New York, NY 10018

National Fire Protection Association, Inc.
Batterymarch Park
Quincy, MA 02269

Product Features

Safety Device

This heater has a pilot with an Oxygen Depletion Sensor shut-off system (ODS). The ODS pilot is a required feature for vent-free heaters. The ODS pilot shuts off the heater if the normal air oxygen content is reduced to 18%.

Piezo Ignition System

This heater has a piezo ignitor. This system requires no matches, batteries or other sources to light the heater.

Installation

Installation Requirements

Fresh Air for Combustion and Ventilation

WARNING:

This heater must have fresh air for proper operation. If not, poor fuel combustion could result. Read the following instructions to insure proper fresh air for this and other fuel-burning appliances in your home.

Modern construction standards have resulted in homes that are highly energy-efficient and that allow little heat loss. Your home needs to breathe, however, and all fuel-burning appliances need fresh air to function properly and safely. Exhaust fans, clothes dryers, fireplaces and other fuel burning appliances all use the air inside the building. If the available fresh air supply is insufficient to meet the demands of these appliances, problems can result.

Provide for Adequate Ventilation

Any space within a home can be classified in these categories:

Unusually tight construction: The air that leaks around doors and windows may provide enough fresh air for combustion and ventilation. However, in buildings of unusually tight construction, you must provide additional fresh air. Unusually tight construction is defined as construction where:

Walls and ceilings exposed to the outside atmosphere have a continuous water vapor retarder with a rating of one perm or less with openings gasketed or sealed and;

Caulking or sealants are applied to areas such as joints around window and door frames, between sole plates and floors, between wall/ceiling joints, between wall panels, at penetrations for plumbing, electrical and gas lines, and at other openings.

Unconfined space: An unconfined space whose volume is not less than 50 cubic feet for each 1,000 Btu/Hr of the aggregate input rating of all appliances installed in that space. Rooms communicating directly with the space in which the appliances are installed, through openings not furnished with doors are considered a part of the unconfined space.

Confined space: A confined space whose volume is less than 50 cubic feet for each 1,000 Btu/Hr of the aggregate input rating of all appliances in that space.

WARNING: You must provide additional ventilation air in a confined space.

For proper operation of the unit, provide fresh air opening(s) to the room. Follow the National Fuel Code NFPA54/ANSI Z223.1, for required size of combustion and ventilation openings.

NOTICE: A qualified service technician should install heater. Follow all local codes.

Gas Type

Verify the type of gas supply to be used, either natural gas or LP (Propane), and make sure the marking on the appliance rating plate agrees with that of the supply gas. The rating plate is located on the side of the heater, which indicates the type of gas the heater is orificed for.

Items Needed for Heater Installation

Before installing the heater, make sure you have these items:

- Gas piping (check local codes)
- Test gauge connection
- Sealant (resistant to LP gases) - approved thread compound
- Manual shut-off valve *
- Sediment trap - where required
- Ground joint union
- Tee joint and pipe wrench

* An installer supplied design-certified manual shut-off valve with 1/8" NPT tap connection.

Locating the Heater

This heater is designed to be mounted on a wall or on the floor.

WARNING: Never install the heater:

- in a bathroom *
- in a recreational vehicle,
- where curtains, furniture, clothing or other flammable objects are less than 36" from the front, top, or sides of the heater,
- as a fireplace insert,
- in high traffic areas, or
- in windy or drafty areas.

* Models VCPV06M(N,P) permitted for bathroom installations.

WARNING: Vent-free heaters add moisture to the air. Although this is beneficial, installing heater in rooms without enough ventilation may cause mildew formation from too much moisture content. See National Fuel Code for Fresh Air for Combustion and Ventilation.

This appliance may be installed in an aftermarket* manufactured (mobile) home, where not prohibited by state or local codes.

*Aftermarket: Completion of sale, not for purpose of resale from manufacturer.

This appliance is only for use with the type of gas indicated on the rating plate. This appliance is not convertible for use with other gases.

CAUTION: If you install the heater in a home garage:

- Heater must be at least 18" above floor
- Locate heater where moving vehicle will not hit it.

Preparing for Installation

1. Remove heater from carton.
2. Remove all protective packaging applied to heater for shipment.
3. Check heater for any shipping damage. If heater is damaged, promptly inform dealer/distributor.
4. Select a location for the heater that will provide maximum exposure of the radiant surface to the room, but will not be subjected to accidental contact.
5. Adequate clearance must be available around the air opening. Refer to Figure 2 for clearances that must be maintained to the side walls, floor and horizontal surface surrounding the heater.

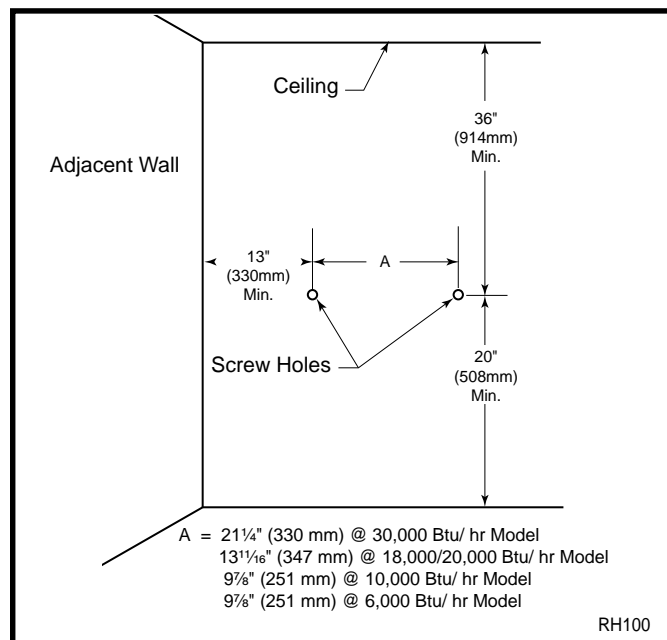


Fig. 2 Minimum clearances to floor, adjacent walls and ceiling.

Attach Mounting Screws to Wall

NOTE: Wall anchors and mounting screws are in hardware package provided with heater.

1. Install mounting screws on wall as shown in Figure 3. Use enclosed "paper template" for proper location of holes. Be sure template is level. It may be necessary to use plastic or lead anchors for plaster walls.
2. Drill holes at marked locations using 9/64" drill bit. Insert mounting screw.
3. Leave screw head out from wall far enough to attach heater.

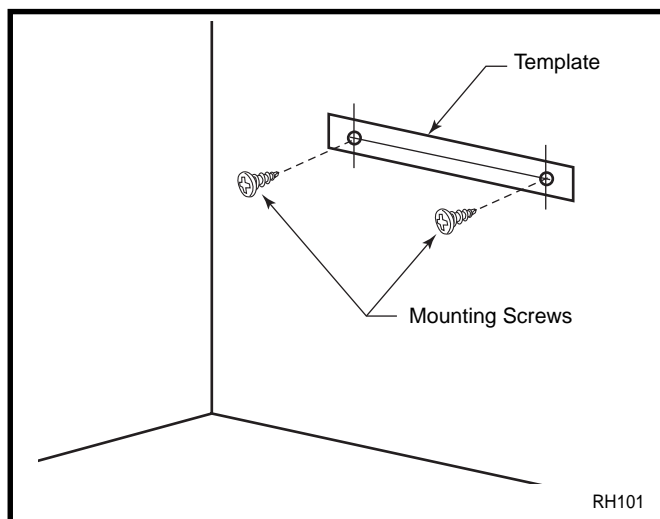


Fig. 3 Use paper template supplied to mark location of mounting holes. Be sure template is level.

Wall Anchor Method

When mounting heater to hollow walls (wall areas between studs) or solid walls (concrete or masonry) it may be necessary to use wall anchors.

1. Place paper template on wall maintaining minimum clearance. Be sure template is level.
2. Drill holes at marked locations using 5/16" drill bit. For solid walls, concrete or masonry, drill holes at least 1" deep.
3. Insert plastic anchor. Tap anchor flush to wall. (Fig. 4)
4. Insert screw into wall anchor leaving screw head out far enough from wall to attach heater. (Fig. 4)
5. Hang heater on mounting screws in holes provided at the rear of the heater.

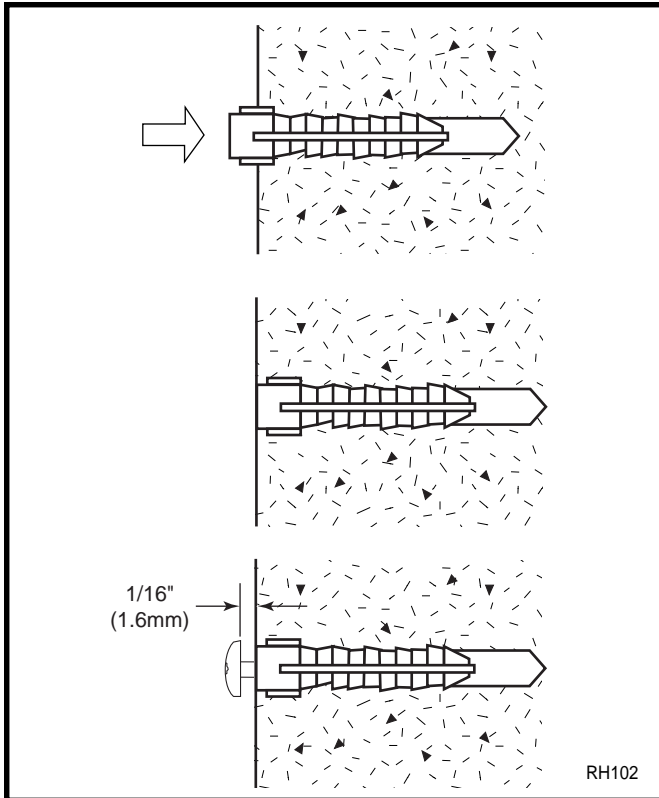


Fig. 4 Wall anchor.

Floor Installation

1. Heater may only be installed on a noncombustible flat surface. Wall mounting screws may be used to keep heater from side movements.
2. Measure heater mounting screw location "X" as desired above floor. (Fig. 5)
3. Use enclosed "paper template" for proper distance between holes. Be sure template is level. It may be necessary to use plastic or lead anchors for plaster wall.
4. Drill holes at marked locations using 9/64" drill bit.
5. Leave screw head out from wall far enough to attach heater.

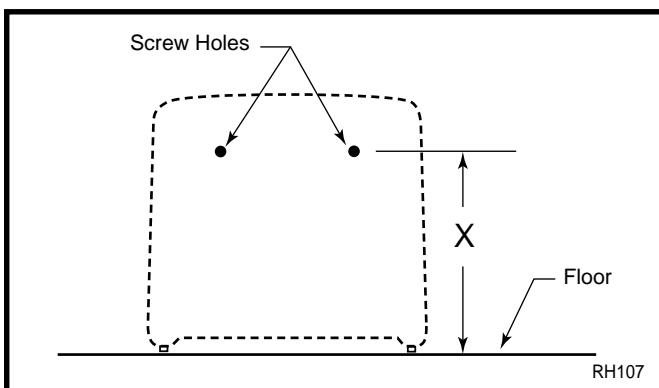


Fig. 5 Optional wall mounting screws for floor installation.

Connect to Gas Supply

Before connecting the appliance, turn off all gas appliances. Close the main gas valve at the gas meter or Lp tank. Make certain there is good ventilation where the installation will be made. Installation should comply with all applicable building codes and ANSI Z223.1, latest edition. Use LP gas resistant pipe compound to seal threaded joints.

An installer supplied, design certified gas pressure regulator must be installed to bring the gas supply pressure down to 14" w.c.

WARNING: Never connect an unregulated gas line to the heater.

IMPORTANT: Check gas line pressure before connecting heater to gas line. Gas line pressure must not be higher than 14" w.c. If gas line pressure is higher, heater gas pressure regulator damage could occur.

NOTE: The gas line connection can be made with 3/8" black or steel pipe. Internally tinned copper tubing may be used in certain areas. Check your local codes. Use pipe of large enough diameter to allow proper gas volume to heater. If pipe is too small, undue pressure loss will occur.

CAUTION: Use pipe joint sealant that is resistant to liquefied petroleum gases.

Install sediment trap in supply line as shown in Figure 6. Locate sediment trap where it is within reach for

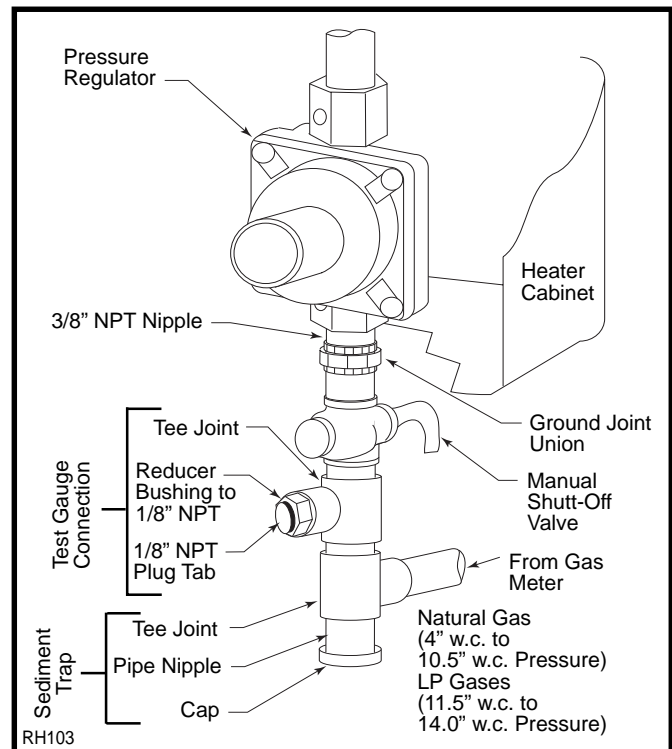


Fig. 6 Gas line connection.

cleaning. Locate sediment trap where trapped matter is not likely to freeze. A sediment trap prevents moisture and contaminants from going into the heater controls. If the sediment trap is not installed or is installed wrong, the heater may not operate properly.

Test for gas leaks with a mild soap and water solution. Apply water/soap solution with brush only - *do not over apply*. **NEVER test with an open flame.**

Pressure Test Gas Supply Piping System

The appliance and its individual shut-off valve must be disconnected from the gas supply piping system during any pressure testing of the system at test pressures in excess of 1/2 psi.

The appliance must be isolated from the gas supply piping system by closing the individual manual shut-off valve (Fig. 7) during any pressure testing of the gas supply system at test pressures equal to or less than 1/2 psi.

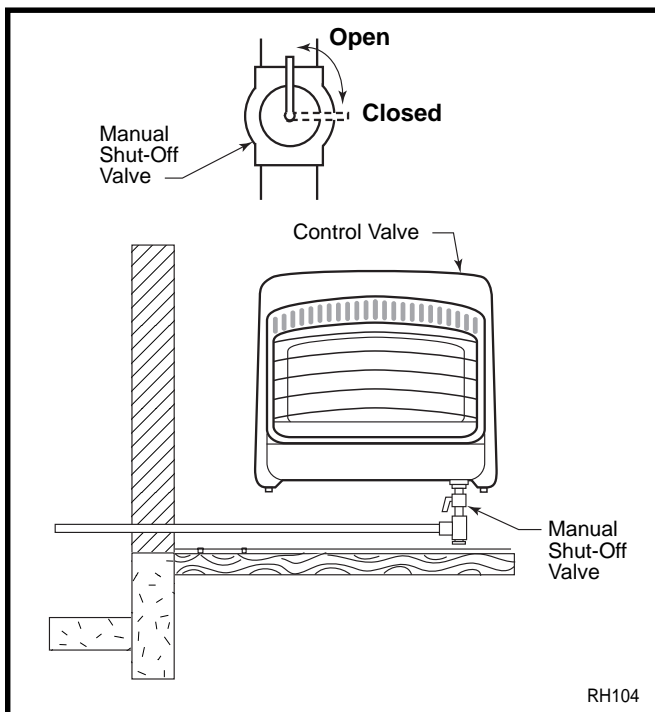


Fig. 7 Manual shut-off valve location.

Leak Testing Heater Gas Connections

1. Open manual shut-off valve.
2. Open main gas valve located near gas meter.
3. Make sure control knob of heater is in the OFF position.
4. Check all joints from manual gas valve up to control valve and including the manifold assembly. Apply the soap solution around the connections, valve and tubing. Soap bubbles will appear where a leak is present.
5. If a leak is present, immediately turn off gas supply, tighten any leaky fittings, turn gas on and recheck.
6. To check burner and safety valve, the burner must be lit. (See Operating Instructions) Check the rest of the connections for leaks.
7. Turn off the heater.

Operating Instructions

FOR YOUR SAFETY - READ THIS SECTION BEFORE LIGHTING

WARNING: IF YOU DO NOT FOLLOW THESE INSTRUCTIONS EXACTLY, A FIRE OR EXPLOSION MAY RESULT CAUSING PROPERTY DAMAGE, PERSONAL INJURY OR LOSS OF LIFE.




- A. BEFORE LIGHTING** smell all around the appliance area for gas. Be sure to smell next to floor because some gas is heavier than air and will settle on the floor.


IF YOU SMELL GAS:

1. Do not try to light any appliance.
2. Do not touch electrical switches; do not use any phone in your building.
3. Immediately call your gas supplier from a neighbor's phone. Follow your gas supplier's instructions.
4. If you cannot reach your gas supplier, call the fire department.

- B.** Use only your hand to push in or turn the gas valve control knob. Never use tools. If the knob will not push in or turn by hand, do not try to repair it, call a qualified service technician. Force or attempted repair may result in a fire or explosion.
- C.** Do not use this appliance if any part has been under water. Immediately call a qualified service technician to inspect the appliance and to replace any part of this control system and any gas control which has been under water.

Lighting Instructions

1. Read the safety information on previous page.
2. Make sure manual shut-off valve is fully open.
3. Push in gas control knob slightly and turn clockwise  to the OFF position.
4. **WAIT 5 MINUTES TO CLEAR OUT ANY GAS.** If you then smell gas, **STOP!** Follow **A** in the safety information. If you do not smell gas, go to next step.
5. Push in gas control knob slightly and turn counterclockwise  to 'PILOT/IGN' and depress for five (5) seconds. This will allow air to bleed from the gas system.
6. Release control knob pressure and turn clockwise  to "OFF".

7. Depress control knob while OFF, then turn back to PILOT/IGN. This should cause the spark from the piezo ignitor to light the pilot gas. Keep control knob depressed for ten (10) seconds before releasing. If pilot does not light, repeat steps 5 – 7, or use a match.
8. To select the heating level desired, partially press down the control slightly and rotate counterclockwise . Release the downward pressure on the knob while continuing to turn until the knob locks at the desired setting position. Do not operate between the locked positions.

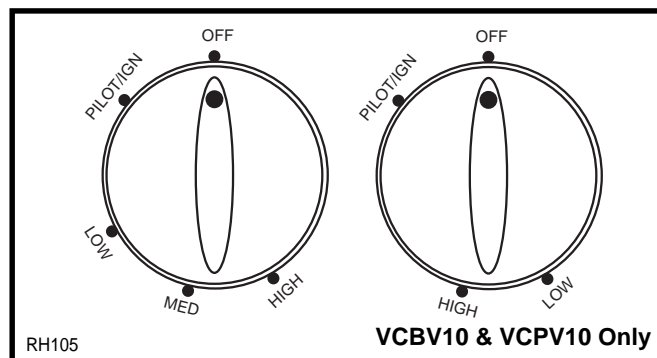


Fig. 8 Control knob.

To Turn Off Gas To Heater

Turning Heater Off

Turn control knob clockwise to the OFF position.


Turning Burner Only Off (Pilot stays lit)

Turn control knob clockwise to the PILOT position.

CAUTION: Do not try to adjust heating levels by using the manual shut-off valve.

NOTE: The thermostat sensing bulb measures the temperature of air near the heater cabinet. This may not always agree with room temperature (depending on housing construction, installation location, room size, etc.). Frequent use of your heater will let you determine your own comfort levels.

Manual Lighting Instructions

1. Remove lower front panel.
2. Follow steps 1 through 4 as stated under Lighting Instructions.
3. Press and turn control knob counterclockwise  to the PILOT/IGN position.
4. With control knob pressed in, strike match, hold match to pilot until pilot lights.
5. Keep control knob pressed in for 30 seconds after lighting pilot. After 30 seconds, release control knob.
6. Replace lower front panel.

Pilot and Burner Inspection

Each time you light your heater check that the pilot flame and burner flame patterns are as shown in Figures 9, 10 and 11. If flame patterns are incorrect, turn the heater off. Contact your dealer or a qualified gas technician for assistance. Do not operate the heater until the pilot flame is correct.

WARNING: If yellow tipping occurs, your heater could produce increased levels of carbon monoxide. If burner flame pattern shows yellow tipping, follow instructions in the Troubleshooting section on page 10. **NOTE:** Do not mistake orange flames with yellow tipping. Dirt or other particles may enter the heater and cause transient patches of orange flame.

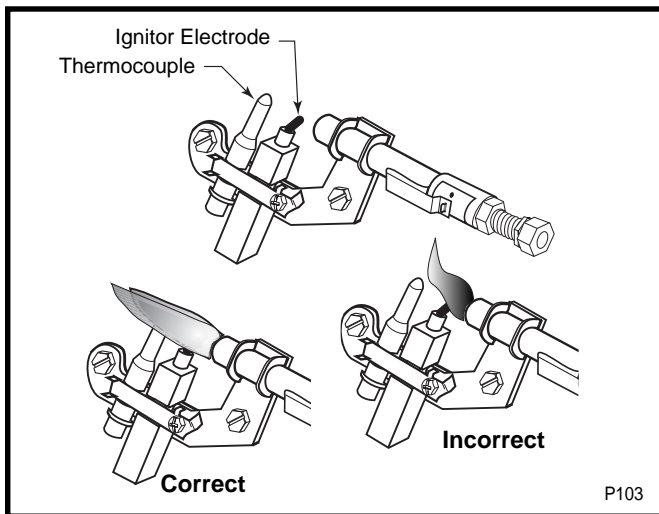


Fig. 9 Proper pilot flame.

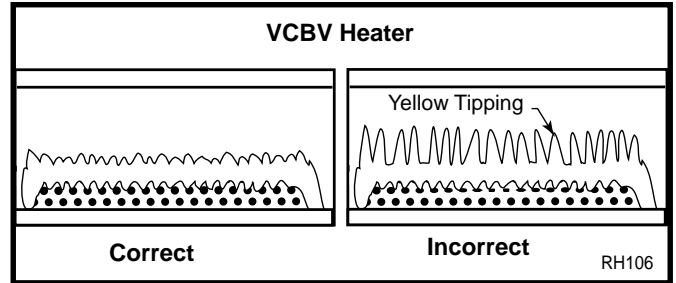


Fig. 10 Correct burner flame pattern for the VCBV blue flame burner.

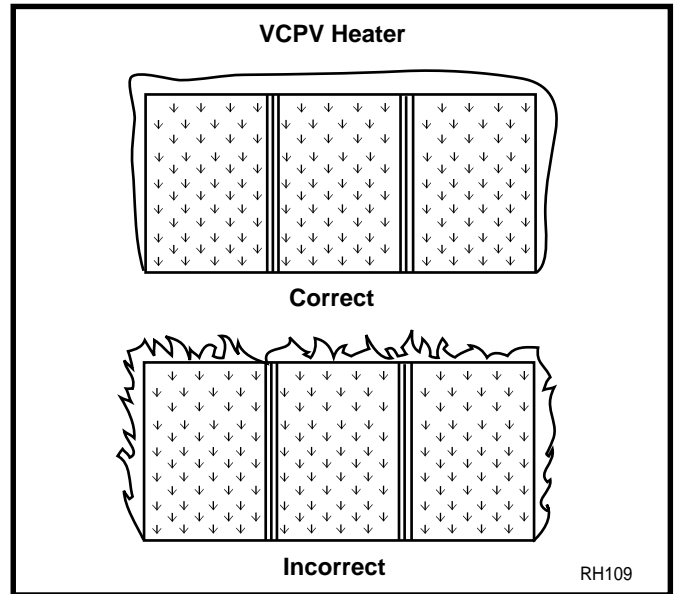


Fig. 11 Correct burner flame pattern for the VCPV plaque heater.

Troubleshooting

Problem	Possible Cause	What To Do
When control knob is pressed in and turned counterclockwise to ignition, there is no spark at ODS pilot.	<ol style="list-style-type: none"> 1. Ignitor electrode positioned wrong. 2. Ignitor electrode broken. 3. Ignitor cable pinched or broken. 4. Ignitor cable not connected to ignitor electrode. 	<ol style="list-style-type: none"> 1. Replace ignitor electrode. 2. Replace electrode. 3. Free ignitor cable, if damaged replace. 4. Connect cable to electrode.
When control knob is pressed in and turned counterclockwise to ignition/pilot position, there is spark but no ignition.	<ol style="list-style-type: none"> 1. Gas supply turned off. 2. Control knob not in pilot position. 3. Control knob not pressed in while in pilot position. 4. ODS pilot is clogged. 5. Air in gas lines. 	<ol style="list-style-type: none"> 1. Turn gas supply on. 2. Turn control knob to pilot position. 3. Press in control while in pilot position. 4. Call a qualified service technician. 5. Purge gas lines and repeat ignition operation.
ODS pilot lights but flame goes out when control knob is released.	<ol style="list-style-type: none"> 1. Control knob not pressed long enough. 2. Safety interlock is triggered. 3. Pilot flame not touching the thermocouple. Problem could be result of one or both of the following: <ul style="list-style-type: none"> • Partially clogged ODS pilot orifice. • Low gas pressure. 4. Thermocouple damaged. 5. Thermocouple connection loose at gas control valve. 6. Gas control valve damaged. 	<ol style="list-style-type: none"> 1. After ODS pilot lights, keep control knob pressed in approximately 30 seconds. 2. Wait one minute, repeat ignition operation. 3. Contact your gas company, gas supplier or qualified service technician. 4. Replace thermocouple. 5. Hand tight until snug then tighten 1/4 turn with a wrench. 6. Replace gas control.
Burner does not light after ODS pilot is lit.	<ol style="list-style-type: none"> 1. Burner orifice clogged. 2. Gas supply pressure is very low. 	<ol style="list-style-type: none"> 1. Clean burner orifice. 2. Contact gas supplier.
Delayed ignition.	<ol style="list-style-type: none"> 1. Main burner carry over ports clogged. 2. Gas supply pressure is very low. 	<ol style="list-style-type: none"> 1. Clean main burner ports. 2. Contact gas supplier.
Burner backfiring during operation.	<ol style="list-style-type: none"> 1. Burner orifice is clogged. 2. Burner ports damaged. 	<ol style="list-style-type: none"> 1. Clean burner orifice. 2. Replace burner.
Yellow flames during burner operation. (VCBV)	<ol style="list-style-type: none"> 1. Not enough air. 	<ol style="list-style-type: none"> 1. Check air passageways and burner for dirt and debris (Refer to Maintenance section)
Burner plaque(s) does not glow. (VCPV)	<ol style="list-style-type: none"> 1. Plaque(s) is damaged. 2. Inlet gas pressure too low. 3. Control knob set between locked positions. 	<ol style="list-style-type: none"> 1. Replace burner. 2. Contact local gas supplier. 3. Turn control knob until it locks at desired setting.
Slight smoke and odor during initial operation.	<ol style="list-style-type: none"> 1. Residues from manufacturing processes. 	<ol style="list-style-type: none"> 1. Will stop after a few hours of operation.
Heater produces a whistling noise when burner is lit.	<ol style="list-style-type: none"> 1. Air passageways blocked. 2. Air in gas line. 	<ol style="list-style-type: none"> 1. Check minimum installation clearances and air passageways for debris. 2. Operate burner until the air is completely purged.

Troubleshooting, *continued*

Problem	Possible Cause	Solution
Heater produces a clicking noise just after burner is lit or turned off.	1. Metal expanding and contracting.	1. This is common with heaters. If noise is excessive, contact a qualified service technician.
Gas odor even when control knob is in OFF position.	1. Gas leaks. Refer to front page Warnings. 2. Gas control defective.	1. Locate and correct leaks immediately. 2. Replace gas control.
Gas odor during combustion.	1. Foreign matter in gas or on burner ports. 2. Heater burning vapors from paint, impurities in air. 3. Gas leaks, refer to front page Warnings.	1. Check gas passage way and burner. 2. Ventilate room, stop storing and using odor causing products near heater. 3. Locate and correct leaks immediately.
Heater shuts off on ODS	1. Not enough fresh air is available. 2. Low gas pressure. 3. ODS pilot partially clogged.	1. Open window. 2. Contact gas supplier. 3. Clean the pilot.

Maintenance

Dust, lint, cobwebs or debris may affect heater performance. The heater draws air into it during normal operation and in the process dust, lint or debris may be drawn in also. It is important to keep the burner, gas control and combustion and circulating air passageways clean. Inspect or have these areas inspected annually at the beginning of the heating season by a qualified service person. Depending on the surroundings, the room heater may require frequent cleaning due to excessive lint or debris.

Before cleaning ensure the gas supply is off and the gas control knob is in the OFF position. Make sure the heater is cool.

WARNING: Danger of bodily injury. If fan assembly accessory is used, turn off power supply at disconnect switch or service panel before removing any access panels from heater.

Burner and ODS Pilot Cleaning

Clean the exterior with soft bristle brush, vacuum cleaner or pressurized air. Never use a wooden toothpick as it may break off and clog the ODS pilot or main burner port.

Use a flashlight to inspect the main burner inlet to ensure it is not blocked. If obstruction can be seen, use a metal wire coat hanger that has been straightened out.

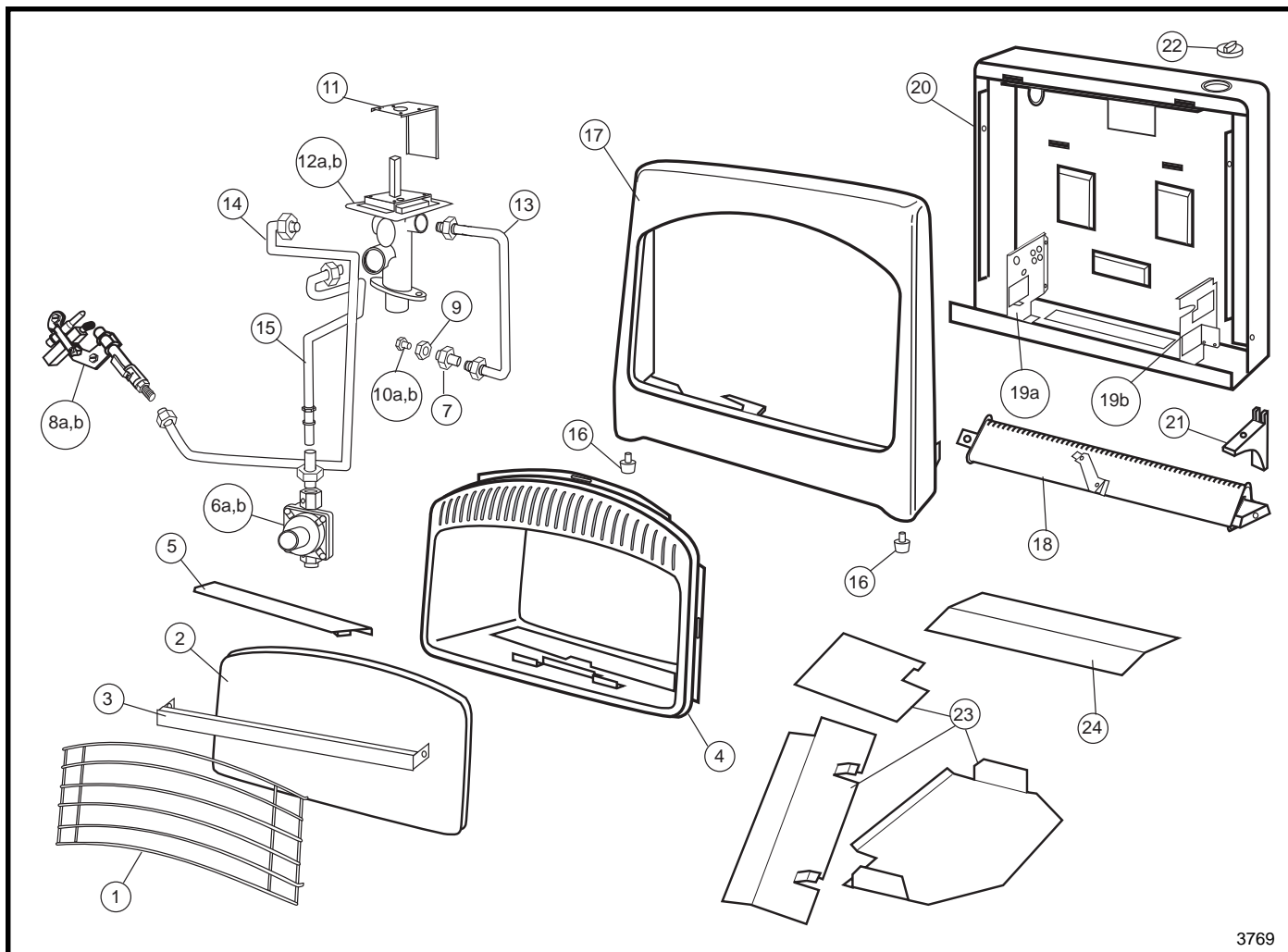
Use a vacuum cleaner to clean the primary air openings to the main burner(s).

WARNING: Failure to keep the primary air openings to the burner(s) clean may result in sooting and property damage.

In order to clean ODS pilot orifice, use pressurized air to blow dust out. Sometimes blowing air backwards through the pilot will get rid of the accumulated dirt. If that does not work, blow out any dust through primary air openings of pilot assemblies (Daemyeong has two openings; one beneath the bimetal strip and the second one opposite from bimetal strip. Use the one wide open, do not try to lift the bimetal strip.)

Cleaning Air Passageways and Unit Casings

Use a vacuum cleaner or pressurized air to clean the combustion and circulating air passageways and dampened cloth to clean the cabinet/casing.



3769

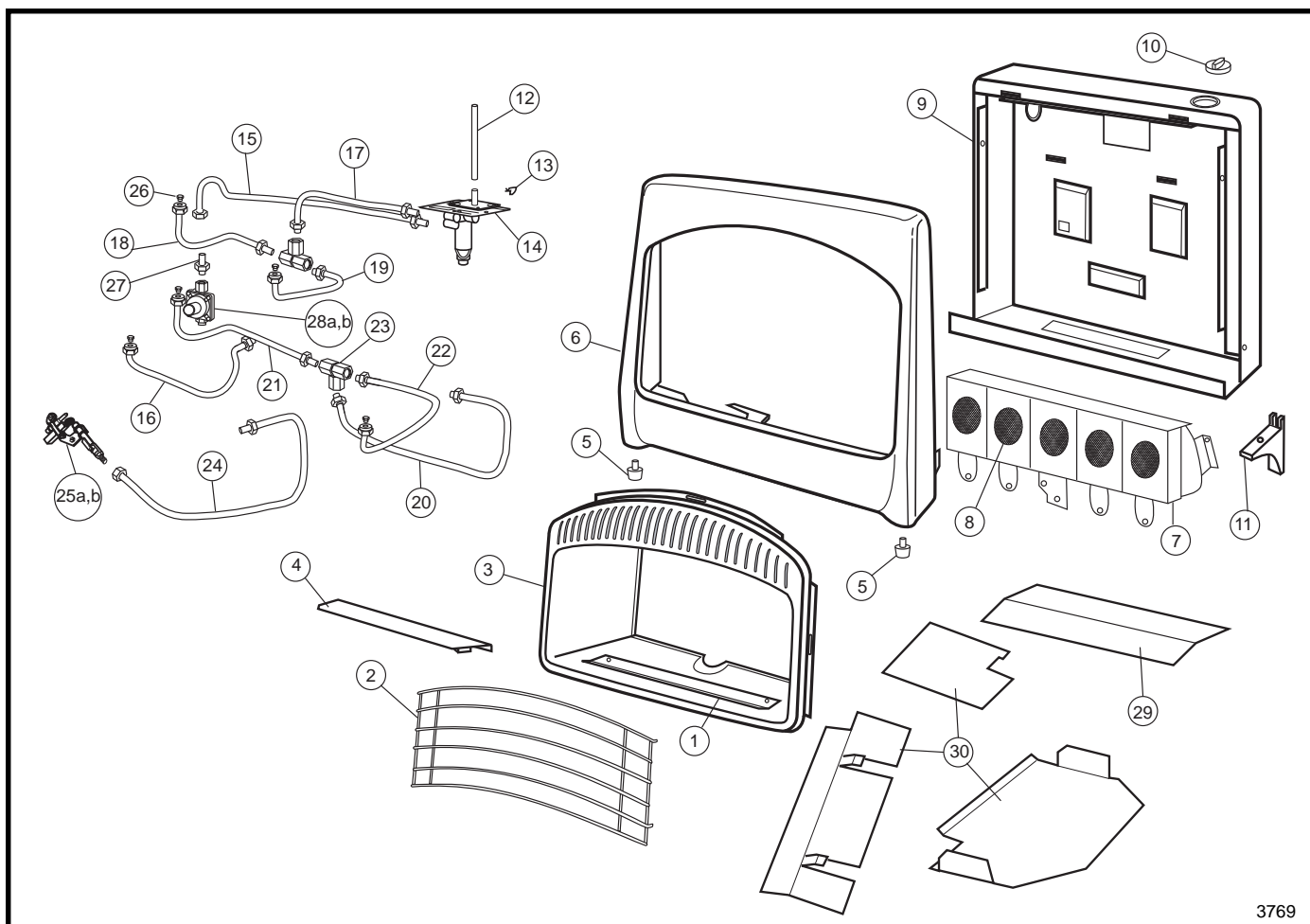
The Vermont Castings Majestic Products Company reserves the right to make changes in design, materials, specifications, prices and discontinue colors and products at any time, without notice.

VCBVMN/MP Unvented Room Heater

Item / Model Number	VCBV10MN/MP	VCBV20MN/MP	VCBV30MN/MP
1. Guard Assembly	RBW33XX0	RBW30XX0	RBW26XX0
2. Glass Panel	RBC02XC0	RBC02XB0	RBC02XA0
3. Holder Glass	RBP63PC0	RBP63PB0	RBP63XPA0
4. Reflector	RBP71PX0	RBP70PX0	RBW23XX0
5. Cover Heat - Upper	--	RBP61XB0	RBP61XA0
6a. Pressure Regulator (Daemyeong Korea) - Natural	DR40M2PN	DR40M2KN	DR40M3KN
6b. Pressure Regulator (Daemyeong Korea) - LP	DR40M2PL	DR40M2KL	DR40M3KL
7. Nozzle Holder	RBM06XX0	RBM06XX0	RBM06XX0
8a. ODS Pilot Assembly (Daemyeong Korea) - Natural	DS98N02	DS98N02	DS98N02
8b. ODS Pilot Assembly (Daemyeong Korea) - LP	DS98PL02	DS98PL02	DS98PL02
9. Fix Nut - Nozzle Holder	RBM08XX0	RBM08XX0	RBM08XX0
10a. Main Nozzle - Natural	RBM07XE	RBM07XA	RBM07XC
10b. Main Nozzle - LP	RBM07F0	RBM07B0	RBM07E0
11. Bracket - Valve	RBP59XX0	RBP59XX0	RBP59XX0
12a. Gas Control (Daemyeong Korea) - Natural	DMV101PA	DMV100PA	DMV100PC
12b. Gas Control (Daemyeong Korea) - LP	DMV101PB	DMV100PB	DMV100PD
13. Tubing Outlet Assembly	RBT28XX0	RBT22XX0	RBT16XX0

VCBVMN/MP, continued

Item / Model Number	VCBV10MN/MP	VCBV20MN/MP	VCBV30MN/MP
14. Tubing ODS Assembly	RBT27XX0	RBT21XX0	RBT15XX0
15. Tubing Inlet Assembly	RBT26XX0	RBT20XX0	RBT14XX0
16. Leg - Front	RBI06XX0	RBI06XX0	RBI06XX0
17. Front Panel	RBP69PA0	RBP66PA0	RBW22XA0
18. Burner Assembly	RBW13XX0	RBW09XX0	RBW08XX0
19a. Burner Support - Left	RBP06XA	RBP06XA-	RBP06XA
19b. Burner Support - Right	RBP06XB0	RBP06B0	RBP06B0
20. Frame Body Assembly	RBW31PB0	RBW31PB0	RBW20PB0
21. Leg - Rear	RB105XX0	RB105XX0	RB108XX0
22. Knob - Valve	RB104XX0	RB104XX0	RBI04XX0
23. Shield	RBP100	RBP101	RBP105
24. Rear Radiant Shield	--	10003986	10003984



Vermont Castings, Majestic Products reserves the right to make changes in design, materials, specifications, prices and discontinue colors and products at any time, without notice.

VCPVMN/MP Unvented Room Heater

Item / Model Number	VCPV06MN/MP	VCPV10MN/MP	VCPV18MN/MP	VCPV30MN/MP
1. Cover Heat - Lower	RCP10XC0	RCP10XC0	RCP10XB0	RCP10XA0
2. Guard Assembly	RBM33XX0	RBW33XX0	RBW30XX0	RBW26XX0
3. Reflector	0RH0002	RCP34PX0	RCP33PX0	RCW10XX0
4. Cover Heat - Upper	--	-	RBP61XA0	RBP61XA0
5. Leg Front	RB106XX0	RBI06XX0	RBI06XX0	RBI06XX0
6. Front Panel	RBP69PA0	RBP69PA0	RBP66PA0	RBP57PA0
7. Burner Body Assembly	2RH0006	RCW13XX0	RCW12XX0	RCW11XX0
8. Ceramic Plate	3D0310	RCC03XX0	RCC01XA0	RCC01XA0
9. Frame Body Assembly	RBW32PB0	RBW32PB0	RBW27PB0	RBW20PB0
10. Knob - Valve	RB104XX0	RBI04XX0	RBI04XX0	RBI04XX0
11. Leg - Rear	RB105XX0	RBI05XX0	RBI05XX0	RBI05XX0
12. Link - Valve	RCP13XE0	RCP13XE0	RCP13XD0	RCP13XC0
13. Fix Pin - Link	RCS01XX0	RCS01XX0	RCS01XX0	RSC01XX0
14a. Gas Control (Daemyeong Korea)	DMV100PHB	DMV200PA	DMV300PA	DMV300PA
15. Tubing Inlet Assembly	RCT65XX0	RCT65XX0	RCT51XX0	RCT37XX0
16. Tubing Outlet - A Assembly	3RH0005	RCT66XX0	RCT52XX0	RCT38XX0
17. Tubing Outlet - B Assembly	--	RCT67XX0	RCT53XX0	RCT09XX0
18. Tubing Outlet - BL Assembly	--	--	--	RCT40XX0
19. Tubing Outlet - BR Assembly	--	--	--	RCT41XX0

VCPVMN/MP, *continued*

Item / Model Number	VCPV06MN/MP	VCPV10MN/MP	VCPV18MN/MP	VCPV30MN/MP
20. Tubing Outlet - C Assembly	--	--	RCT54XX0	RCT12XX0
21. Tubing Outlet - CL Assembly	--	--	--	RCT13XX0
22. Tubing Outlet - CR Assembly	--	--	RCT14XX0	--
23. Manifold - "C"	--	--	RCD02XX0	--
24. Tubing ODS Assembly	RCT63XX0	RCT63XX0	RCT59	RCT45
25a. ODS Pilot Assembly (Daemyeong Korea) - Natural	DS99PN03	DS98PN01	DS98PN01	DS98PN01
25b. ODS Pilot Assembly (Daemyeong Korea) - LP	DS98PL01B	DS98PL01	DS98PL01	DS98PL01
26a. Main Nozzle - Natural	RCM02XG0	RCM02XD0	RCM02XB0	RCM02XA0
26b. Main Nozzle - LP	RCM02XB0	RCM02XE0	RCM02XC0	RCM02XB0
27. Connector - "B"	RCM01XX0	RCM01XX0	RCM01XX0	RCM01XX0
28a. Pressure Regulator (Daemyeong Korea) - Natural	DR40M3PN	DR40M2PN	DR40M3PN	DR40M5PN
28b. Pressure Regulator (Daemyeong Korea) - LP	DR40M3PL	DR40M2PL	DR40M3PL	DR40M5PL
29. Rear Radiant Heat Shield	--	--	10003986	10003985
30. Shield	RBP84	RBP84	RBP101	RBP104

Accessories

The following accessories are available from your local Vermont Castings dealer. Each accessory comes with a separate installation instruction. Be sure to read each instruction thoroughly before installing.

Description	Model Number
Manual Fan Kit	FMA-F
Thermostat Fan Kit	FMA-FT

Contact Vermont Castings Majestic, Products with questions concerning prices and policies covering replacement parts. Parts may be ordered through you Vermont Castings distributor or dealer.

You will need the following information when ordering replacement parts:

- the appliance model number,
- the serial number, and
- a description of the part.

Should you need additional information beyond what your dealer can furnish, contact:

Vermont Castings, Majestic Products
 410 Admiral Blvd.
 Mississauga, Ontario
 Canada L5T 2N6

Telephone: 905-670-7777

Model and serial numbers are listed on the rating plate (located on right side of heater). Record your model and serial numbers here for future reference.

Model # _____

Serial # _____

Warranty

Service and Limited Warranty

The Vermont Castings Majestic Products Company warrants this product to be free from defects in materials and components for two (2) years from the date of first purchase, provided that the product has been properly installed, operated and maintained in accordance with all applicable instructions. To make a claim under this warranty the Bill of Sale or cancelled check must be presented.

This warranty is extended only to the original retail purchaser. This warranty covers the cost of part(s) required to restore this heater to proper operating condition and an allowance for labor when provided by a Vermont Castings authorized dealer/distributor. Warranty part(s) MUST be obtained through authorized dealers of this product and/or Vermont Castings Majestic Products who will provide original factory replacement parts. Failure to use original factory replacement parts voids this warranty. The heater MUST be installed by a qualified installer in accordance with all local codes and instructions furnished with the unit.

This warranty does not apply to parts that are not in original condition because of normal wear and tear, or parts that fail or become damaged as a result of misuse, accidents, lack of proper maintenance or defects caused by improper installation. Travel, diagnostic cost, labor, transportation and any and all such other costs related to repairing defective heater will be the responsibility of the owner.

TO THE FULL EXTENT ALLOWED BY THE LAW OF THE JURISDICTION THAT GOVERNS THE SALE OF THE PRODUCT; THIS EXPRESS WARRANTY EXCLUDES ANY AND ALL OTHER EXPRESSED WARRANTIES AND LIMITS THE DURATION OF ANY AND ALL IMPLIED WARRANTIES, INCLUDING WARRANTIES OF MERCHANTABILITY AND FITNESS FOR A PARTICULAR PURPOSE TO TWO (2) YEARS FROM THE DATE OF FIRST PURCHASE; AND THE VERMONT CASTINGS MAJESTIC PRODUCTS COMPANY SHALL NOT BE LIABLE FOR ANY OTHER DAMAGES WHATSOEVER INCLUDING INDIRECT, INCIDENTAL OR CONSEQUENTIAL DAMAGES.

Some states do not allow a limitation on how long an implied warranty lasts or an exclusion or limitation of incidental or consequential damages, so the above limitation on implied warranties, or exclusion or limitation on damages may not apply to you.

This warranty gives you specific legal rights, and you may also have other rights that vary from state to state.

Always specify model and serial number when communicating with the factory.

Vermont Castings, Majestic Products

410 Admiral Blvd. • Mississauga, Ontario • Canada, L5T 2N6 • 905-670-7777
www.majesticproducts.com • www.vermontcastings.com

© Vermont Castings, Majestic Products

Free Manuals Download Website

<http://myh66.com>

<http://usermanuals.us>

<http://www.somanuals.com>

<http://www.4manuals.cc>

<http://www.manual-lib.com>

<http://www.404manual.com>

<http://www.luxmanual.com>

<http://aubethermostatmanual.com>

Golf course search by state

<http://golfingnear.com>

Email search by domain

<http://emailbydomain.com>

Auto manuals search

<http://auto.somanuals.com>

TV manuals search

<http://tv.somanuals.com>