

Formerly:



Now:



**Assembly and
Owners manual
Model A052041
2004 Series
Portable
Gas Grill**

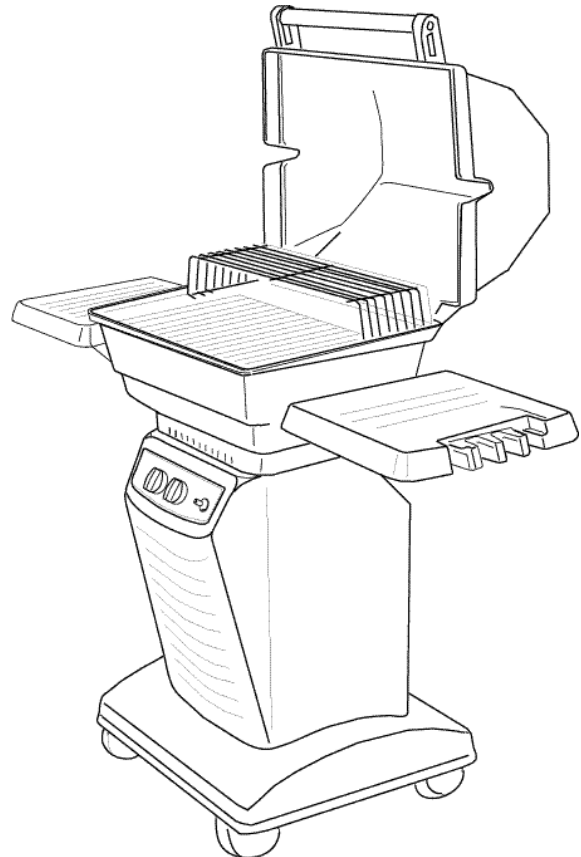


ASSEMBLER/INSTALLER:

Leave these instructions with the consumer .

CONSUMER/USER:

Read all of these instructions and keep them in a safe place for future reference.



FOR YOUR SAFETY

If you smell gas:

- 1 Shut off gas to the appliance.
- 2 Extinguish any open flame.
- 3 Open lid.
- 4 If odor continues, immediately call your gas supplier or fire department.

FOR YOUR SAFETY

- 1 Do not store or use gasoline or other flammable vapors and liquids in the vicinity of this or any other appliance.
- 2 An unconnected liquid propane cylinder should not be stored in the vicinity of this or any other appliance.

Table of Contents

	Page Number
Chapter One - INSTALLATION	4
Necessary Information	4
Choosing a Safe Location	4
Portable L.P. Gas Grills	5 - 7
Important Features of the Series 4000 LP Gas Grill	8
L.P. Gas Dealer Instructions	9
Chapter Two - ASSEMBLY INSTRUCTIONS	10
Identifying Parts	11
Attach Pillar to Grill Bottom	12 - 13
Assemble Base to Pillar	14 - 15
Install X-Brace	16 - 17
Install the Side Tables	18 - 19
Assemble Grill Lid	20 - 21
Installing the Internal Parts	22 - 23
Installing an L.P. Gas Cylinder	24
Connecting an L.P. Gas Cylinder	24 - 25

Formerly: 

Now: 
CFM Corporation
2695 Meadowvale Boulevard
Mississauga, Ontario L5N 8A3 Canada
(800) 668-5323

www.cfmcorp.com

Service Note: If you are experiencing difficulties or are dissatisfied with your purchase, please contact CFM at the telephone number listed above prior to returning your grill to the store.

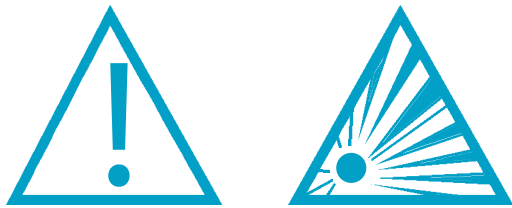
Model A052041 Series

Installation Chapter 1

Necessary Information to Safely Use a Gas Grill.

The gas fuel used by this product is highly flammable and must be used in a responsible and cautious manner.

It is your responsibility to assemble, operate, and maintain your gas barbecue grill properly.



If these instructions are ignored, there is a possibility of a hazardous fire or explosion which could result in property damage, physical injury or death.

Choosing a Safe Location for a Gas Barbecue Grill.

1. The gas barbecue grill may only be used for cooking out-of-doors.

- Do not operate this barbecue in garages, breezeways, sheds or any enclosed area.

- Operating this or any gas-fired appliance in an enclosed area can produce a build-up of carbon-monoxide, which could result in injury or death.

2. Installation must conform with local codes or, in the absence of local codes, with either the National Fuel Gas Code, ANSI Z223.1, NFPA 54 (USA), or CAN/CGA-B 149.2, Propane Installation Code (Canada) and CAN/CGA-B 149.1 Natural Gas Installation Code.

To check local codes, contact your local gas dealer or gas company listed in the Yellow Pages for recommended installation procedures and regulations.

3. This appliance is not intended to be installed in or on a recreational vehicle and/or boat.

4. Keep the barbecue grill at least 24 inches (61 cm) away from any combustible construction.

- Do not use a grill under a ceiling or cover where the heat or flame could cause damage.

- Choose a level surface where the grill is not facing directly into the wind.

- Avoid moving the grill during use.

5. The grill area must be clear and free from combustible materials, gasoline, and any other flammable liquids or vapors.

- Do not use lighter fluid or charcoal briquettes in a gas grill. The flow of combustion and ventilation air is not to be obstructed.



- The ventilation openings of the cylinder enclosure must be kept free and clear from other debris.

6. Do Not store a spare L.P. gas cylinder under or near this appliance.

- Do not store an L.P. cylinder in a building, garage or any other enclosed area. Instead, store the cylinder outdoors in a well ventilated area, away from people and out of the reach of children.

7. NOT FOR USE BY CHILDREN.

- Place your barbecue grill in a location away from children and pets.
- Do not leave grill unattended when in use.

8. The outside of the barbecue grill will become hot during use.

- To avoid burns, do not touch any hot grill surface. If necessary, use a protective glove when operating control knobs, tank shut-off valve, or lid handle.

- Do not place combustible material, such as cloth or plastic, on grill surface during use.
- Do not lean on side tables or place more than 15 pounds of weight on a side table.

9. Make sure that the heat shield and drip pan are in place under the grill bottom.

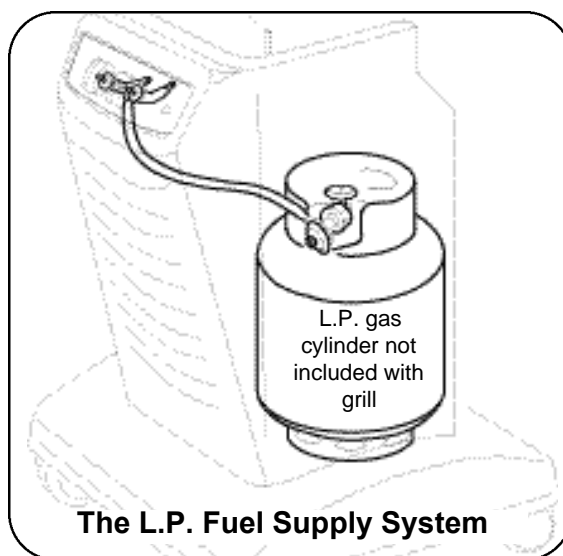
- Heat and hot drippings from cooking food could damage the fuel supply system.

Portable L. P. Gas Barbecue Grills

WARNING: Do not use natural gas in an appliance designed for L.P. gas. Use only liquid propane (L.P.) gas in an appliance designed for L.P. gas.

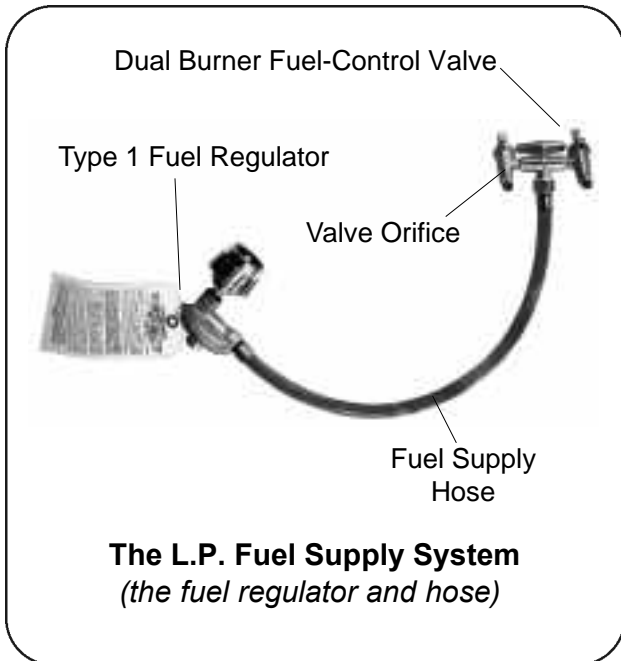
L.P. Gas

Liquid Propane (abbreviated L.P.) gas is stored under high pressure inside a cylinder and will vaporize when released. It is important that there are no leaky connections on the grill fuel supply system. Refer to the Leak Testing section of this manual.



The L.P. FUEL SUPPLY SYSTEM

An L.P. gas grill requires a fuel delivery system made up of an L.P gas supply cylinder, a fuel regulator with hose and a gas-control valve.



2. The system has a thermal element that will shut off the flow of gas between 240° F and 300° F.

3. The system has a flow-limiting device which when activated, will limit the flow of gas to 10 cubic feet per hour.

4. The pressure regulator and hose assembly provided is factory set at an outlet pressure of 11 inches water column (.4 lb. per sq. inch).

WARNING: Any attempt to adjust the regulator is dangerous and could create a situation causing personal injury or property damage. Consult your L.P. gas dealer if you think the regulator is not working properly.

L.P. GAS SUPPLY CYLINDER

NOTE: AN L.P. CYLINDER IS NOT INCLUDED WITH THIS GRILL MODEL.

An L.P. cylinder can be obtained at the store where you purchased your grill or from an authorized L.P. gas dealers.

FUEL REGULATOR AND HOSE

The fuel regulator supplied is equipped with a Type 1 coupling nut. Do not attempt to connect to any other L.P cylinder not equipped with a mating Type 1 cylinder valve.

This grill is not to be used with any other cylinder connection device.

The fuel regulator and hose assembly with the Type 1 fitting supplied must be used with the appliance. Do not use a hose and regulator assembly other than the one supplied with the grill or a manufacturer's replacement fuel pressure regulator assembly.

The Type 1 connection system has the following features:

1. The system will not allow gas to flow until a positive connection has been made.



L.P. GAS CYLINDER SPECIFICATIONS

Any L.P. gas-supply cylinder used with this grill must be approximately 12 inches diameter and 18 inches high. The maximum fuel capacity must be 20 pounds of propane. Full-cylinder weight should be approximately 38 pounds (43.7 lbs. nominal water capacity).

The L.P. cylinder must have a shut-off valve terminating in a Type 1 L.P. gas-cylinder-valve outlet. A Type 1 compatible cylinder with a Type 1 cylinder valve has a positive seating connection that does not permit gas flow until a positive seal has been obtained.

The cylinder must be arranged for vapor withdrawal. It must also include a Collar to protect the cylinder valve. A safety-relief device having direct communication with the vapor space of cylinder must be provided. This will expel high-pressure gas if the cylinder is overfilled or overheated.

All L.P. gas cylinders used with this appliance shall be constructed and marked in accordance with the specifications for L.P. gas cylinders of the U.S. Department of Transportation (DOT) or the National Standard of Canada, CAN/CSA-B339, Cylinders, Spheres and Tubes for Transportation of Dangerous Goods; and Commission, as applicable; and shall be provided with a listed overfilling-prevention device. Read labels on the L.P. gas-supply cylinder.

DANGER: Do not insert any foreign objects into the valve outlet. You may damage the back check. A damaged back check can cause a leak, which could result in explosion, fire, severe personal injury, or death.

Allow only a qualified L.P. gas dealer to fill or repair an L.P. gas-supply cylinder.

Inform the gas dealer if it is a new or used cylinder to be filled. Caution the gas dealer not to overfill the fuel cylinder.

After filling, have the gas dealer check for leaks and that the relief valve remains free to function.

Have the gas dealer weigh cylinder after filling to ensure that the cylinder is not overfilled.

DANGER:

a.) Do not store a spare L.P. gas cylinder under or near this appliance.

b.) Never fill the gas cylinder beyond 80 percent full.

c.) If the information in “(a.)” and “(b.)” is not followed exactly, a fire causing death or serious injury may occur.

TRANSPORTING A FULL CYLINDER

WARNING! Handle a full cylinder with care. Gas is under high pressure.

You should transport only one cylinder at a time. Transport the cylinder in an upright and secure manner with control valve turned off and the POL plug in place.

Do not transport cylinder in the passenger compartment of a vehicle.

Do not leave cylinder in direct sunlight or in a high-heat area such as a closed car trunk. High-heat areas could cause the relief valve to vent gas.

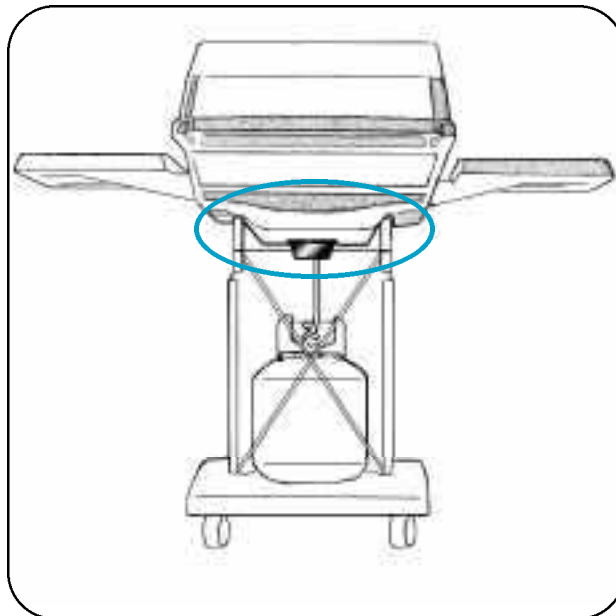
Use a cylinder cap on cylinder-valve outlet during transport and when the cylinder is not connected to grill. Keep cylinder valve closed when not in use.

Important Features of Series A052041 Gas Grills

HEAT SHIELD, GASKETS AND COLLAR

WARNING! Do not remove the heat shield, gaskets, collar assembly from the grill bottom.

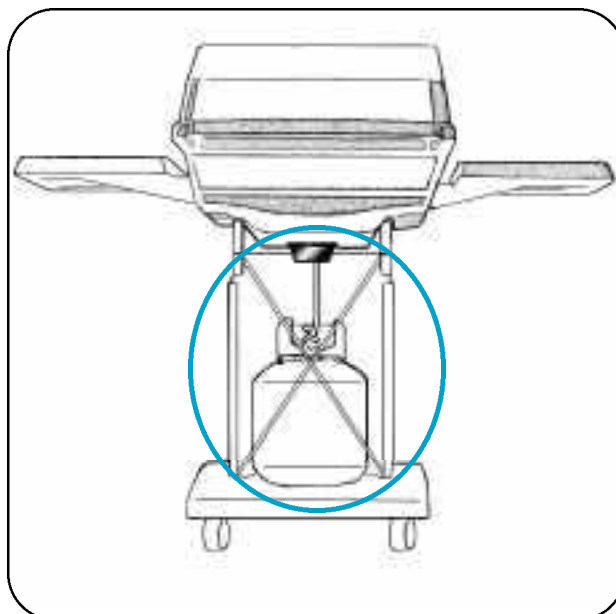
Operating this grill without the heat shield, gaskets, collar assembly attached to the grill bottom would result in a hazardous situation which could cause serious damage to property and possible physical injury.



Rear view of Series A052041 grill with the heat shield, gaskets, collar assembly.

X-BRACE RETAINER WIRE

It is important to properly fit the X-Brace retainer wire inside the pillar to provide additional stability. Remove the X-Brace only when installing an L.P. gas supply cylinder.



Rear view of Series A052041 grill with the X-Brace retainer wire shown in place.

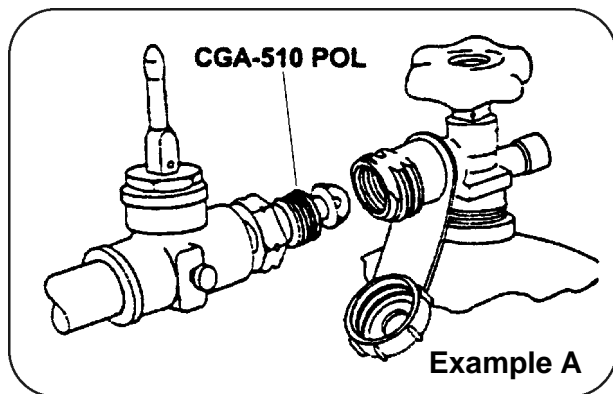
Take These Instructions to the L.P. Gas Dealer.

When using a cylinder exchange, be sure the exchanged cylinder is a Type 1 cylinder; a 510 POL cylinder will not fit a Type 1 regulator.

FILLING AND PURGING TYPE 1 L.P. GAS CYLINDERS

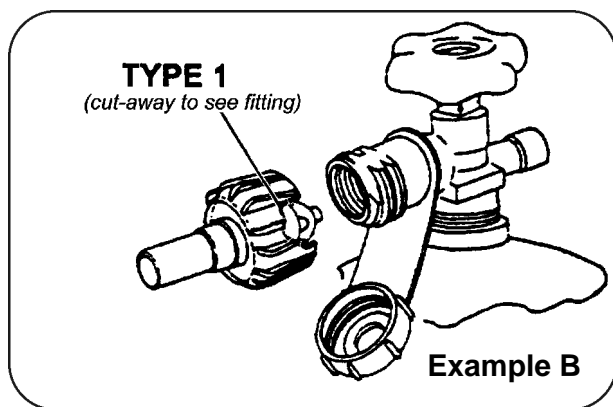
DANGER! Purging and filling of L.P. Gas cylinders must be performed by personnel who have been thoroughly trained in accepted L.P. gas industry procedures. Failure to follow this instruction may result in explosion, fire, severe personal injury, or death.

IMPORTANT: Purge new cylinders before filling. This tank is easily filled with a standard CGA 510 POL filling connection.



Filling a Type 1 Cylinder Valve

*Example A: shows a CGA-510 POL fitting.
Example B: shows using a Type 1 POL fitting.*



The L.P. gas cylinder has a Type 1 cylinder valve with a back-check module in its outlet that will not permit gas to flow until an evacuation device is installed. To purge the L.P. gas cylinder, the back-check module must be opened with an evacuation device.

PURGING AND EVACUATION DEVICES FOR L.P. GAS CYLINDER WITH TYPE 1 CYLINDER VALVES

A. Hose-end valve with a bleed port: Purging can be accomplished using a hose-end valve containing a bleed port, which also allows for evacuation without the use of an adapter.

B. Hose-end valve without a bleed port: When a hose end valve does not have a bleed port, a separate device must be used for evacuation.

C. Purging using a Type 1 connection: L.P. gas cylinder evacuation can be accomplished during each purging by using a Type 1 connection. The Type 1 valve outlet has 1 5/16" external ACME right-hand thread that will accept this connection.

CAUTION: After purging or filling an L.P. gas cylinder, do not insert a POL plug into the valve outlet. Insertion of this plug will prevent the back-check from closing. Use **ONLY** the provided cap and strap attached to the outlet. Close the cylinder valve knob before returning the cylinder to the customer.

For proper purging procedures in the U.S.A. refer to: Safety Bulletin NPGA #133, "Purging L.P. Gas Cylinders," and Safety Bulletin NPGA #130, "Recommended Procedures for Filling Cylinders."

DANGER: Do not fill an L.P. gas cylinder beyond 80% full. If this information is not followed exactly, a fire causing serious injury or death may occur.

Model A052041 Series

Assembly Instructions Chapter 2



Getting Started

1. Please follow the steps in the order that they are presented.
2. Assemble the grill where you plan to use it.
3. You may want to place an old towel or cloth at the assembly site to prevent nuts and bolts from becoming lost.
4. Have a friend help. An assistant can make the assembly easier by holding the parts in place while you fasten the nuts and bolts.
5. To be ready to barbecue immediately, obtain a filled L.P. gas cylinder from an authorized L.P. dealer or cylinder exchange center.

Unpacking the Grill Parts

1. Remove and set aside all inner boxes and parts from the master carton.
2. Remove and set aside all wrapping paper and additional packaging from the parts.
3. Do not destroy carton or packing until your grill is completely assembled and operating to your satisfaction.

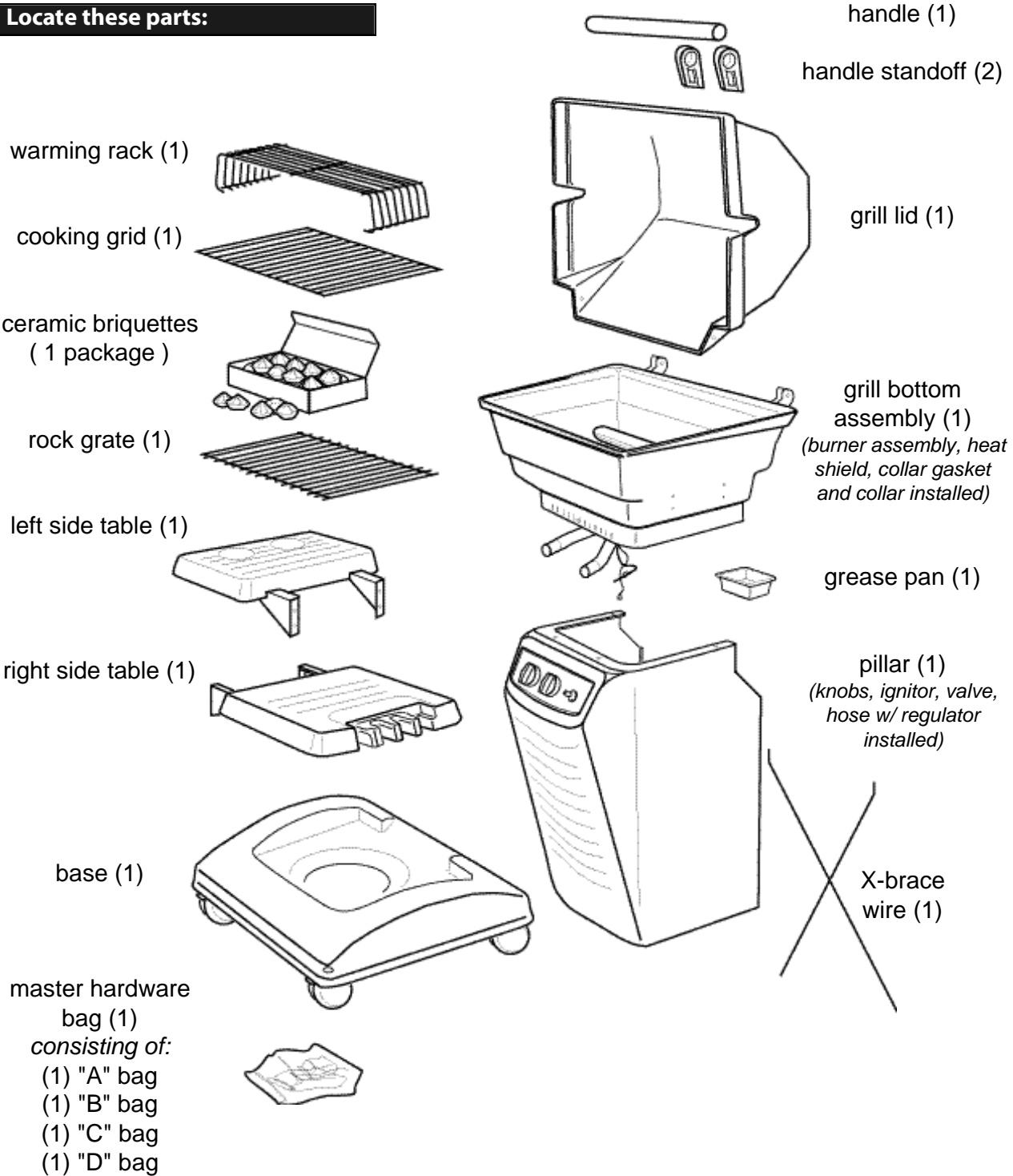
Tools needed to assemble grill:

- 3/8" open-end wrench*
- flat blade screwdriver
- 7/16" open-end wrench*

**HINT: A socket set or an adjustable wrench may be used instead.*

Assembly Instructions • Identify the Grill Parts

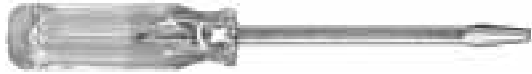
Locate these parts:



Assembly Instructions • Attach the Pillar to Grill Bottom.

tools needed:

$\frac{3}{8}$ " open-end wrench
flat-blade screwdriver

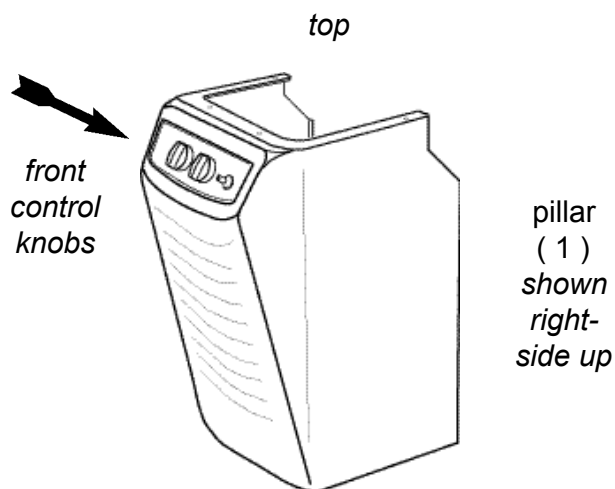
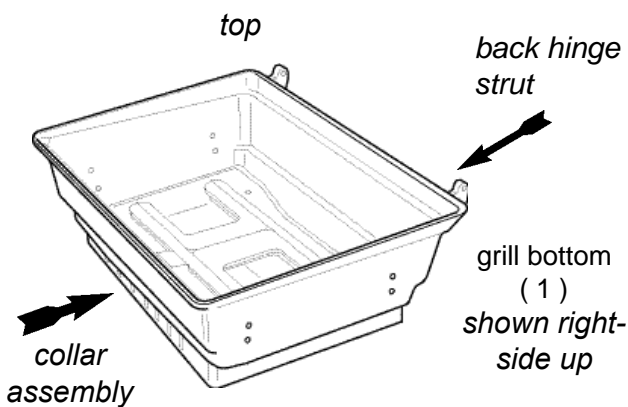


Use hardware bag "B":



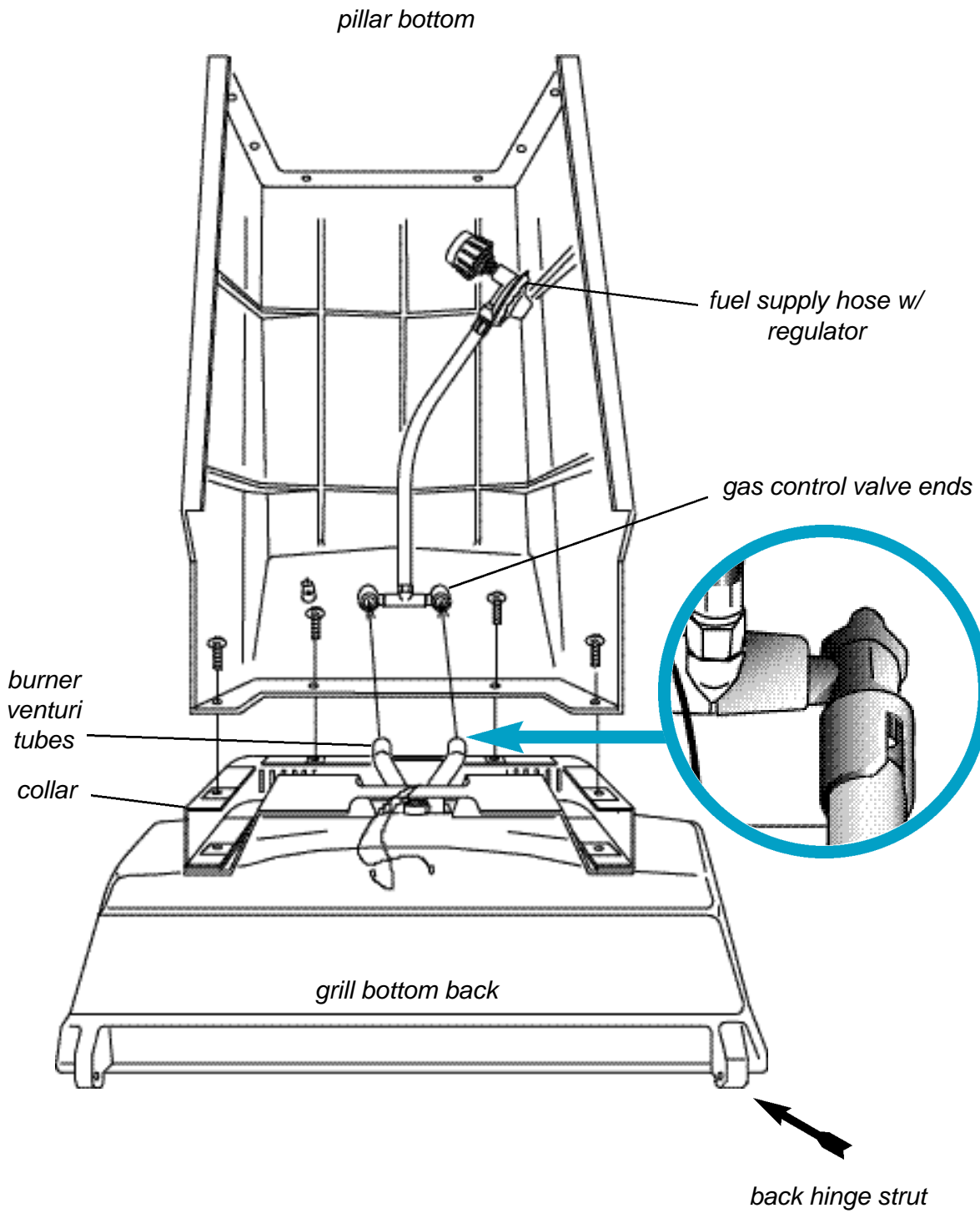
1/4-20 x 3/4"
(4)

Locate these parts:



HINT: For the first portion of the assembly you will be assembling the grill bottom, pillar and base upside-down.

1. Position the grill bottom casting upside down so that the heat collar assembly is upward.
2. Working from the back (open) side of the pillar, set the pillar upside down onto the collar assembly.
3. Locate the holes in the pillar bottom and align with holes in collar.
4. **IMPORTANT:** Make sure the gas control valve ends are inside the burner venturi tubes extending through the grill bottom as shown. (See Adjacent Page)
5. Thread screws into holes and tighten with a wrench / screwdriver.



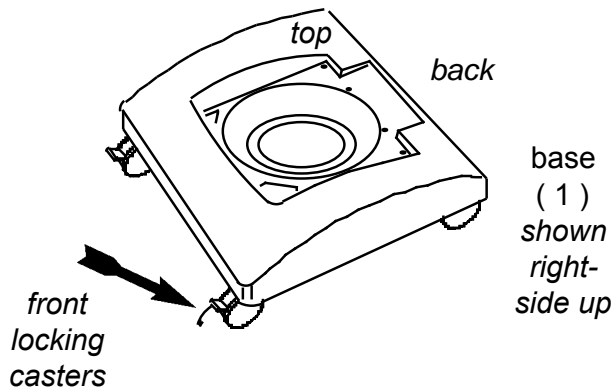
Assembly Instructions • Assemble Base to Pillar

tools needed:

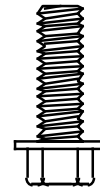
$\frac{3}{8}$ " open-end wrench
 $\frac{7}{16}$ " open-end wrench



Locate this part:



Use hardware bag "A":

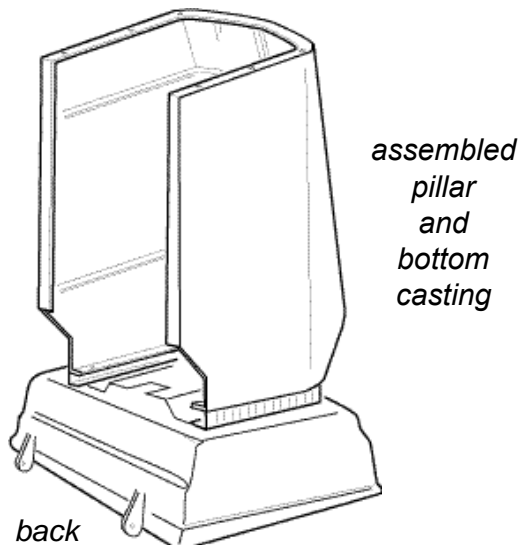


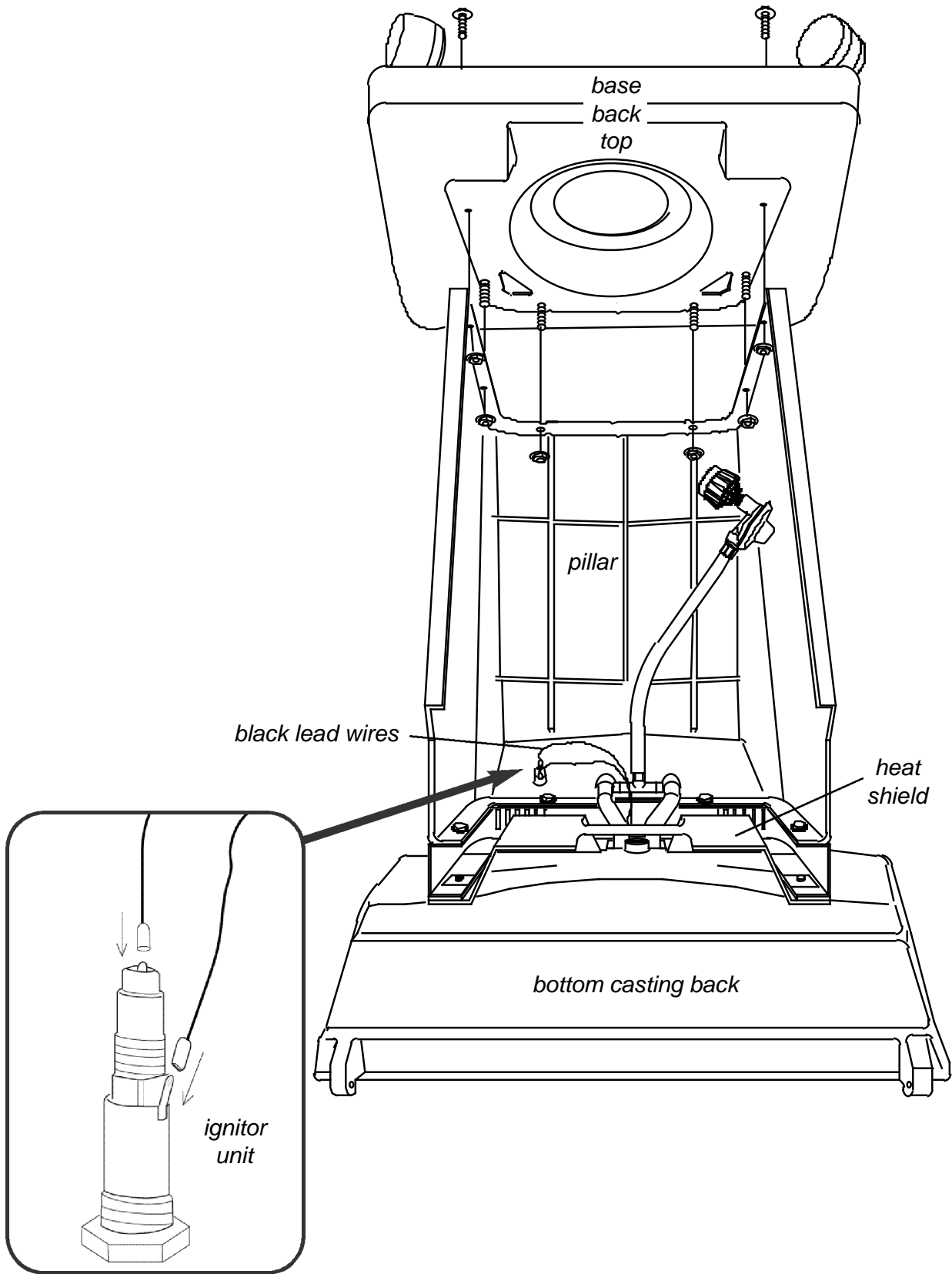
1/4-20 x 3/4"
(6)



1/4-20
(6)

1. Lock the pre-assembled casters on base by pushing down on the latch.
2. Set the base upside-down on onto the pillar bottom as shown on the adjacent page, aligning holes in base with holes in pillar.
3. Insert six bolts through the holes in the pillar and base. Thread the locking hex nuts onto bolts. Tighten with a wrench and a flat-head screwdriver.
4. Locate the two black lead wires inside the grill bottom. Press the metal contacts of the loose ends of the lead wires onto the metal pins located on the base and side of the ignitor unit.





Assembly Instructions • Install X-Brace.

No tools needed.

Locate this part:

top bent
ends

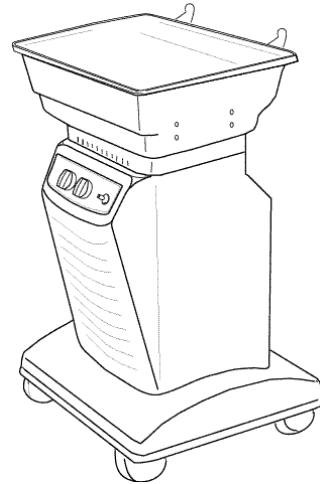


X-brace
(1)

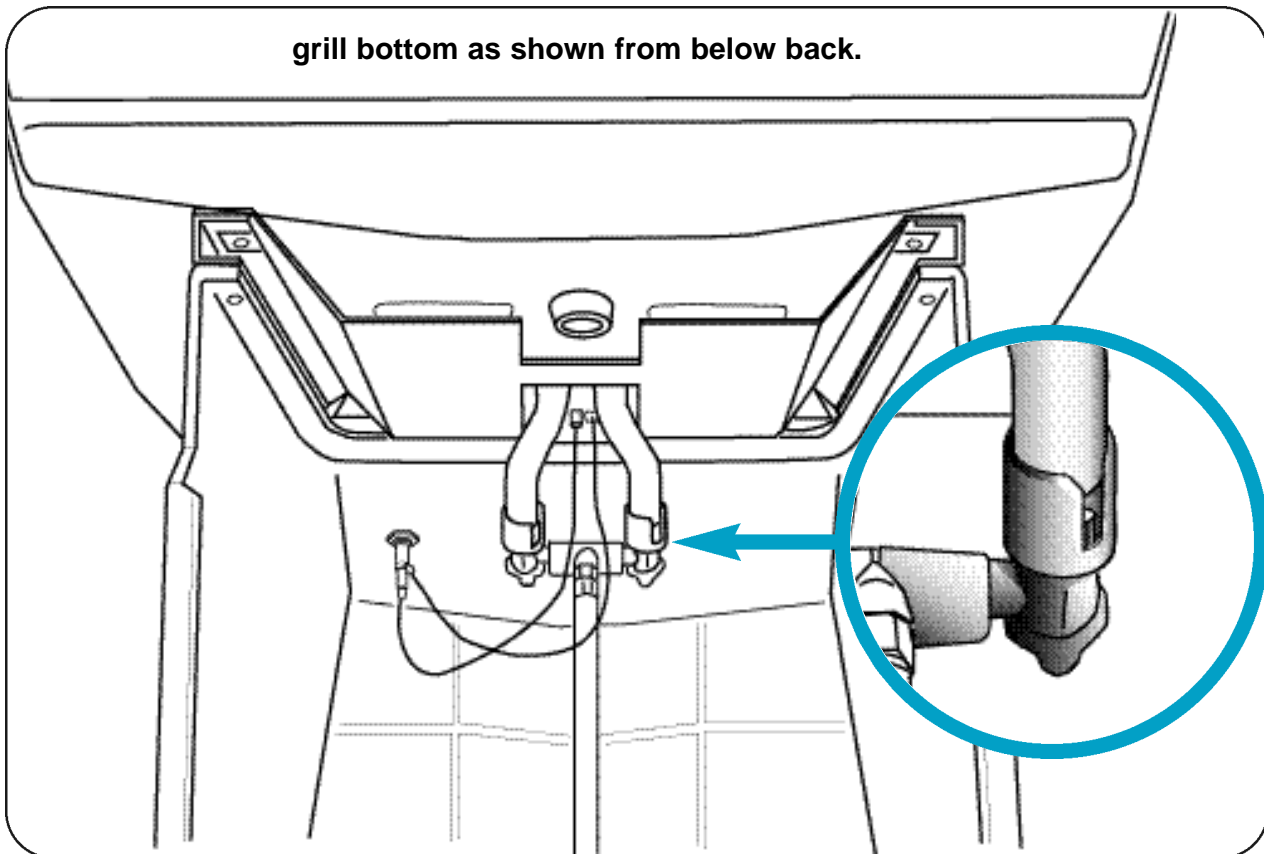
1 Now with the help of an assistant carefully turn the grill assembly right-side-up.

2. **IMPORTANT:**
Inspect beneath the grill bottom to check that the control-valve ends are still inside the burner venturi tubes.

The valve ends must always be inside the burner tubes for the grill to safely operate.

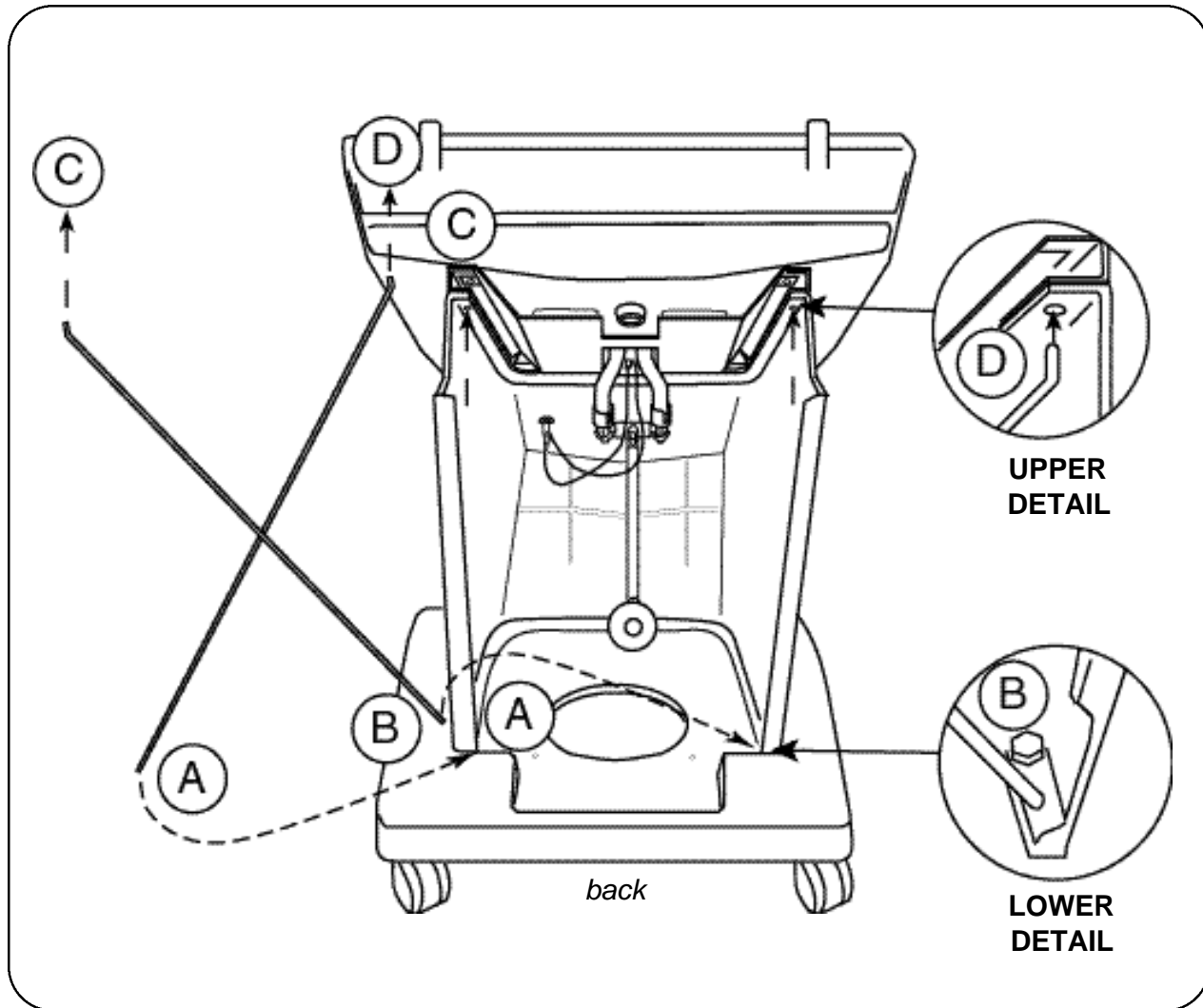


grill bottom as shown from below back.

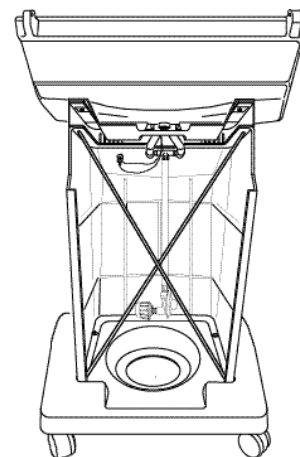


ATTENTION PRODUCT ASSEMBLER:

Install the X-brace retainer wire across the back of the pillar for warranty validation.



3. Position the wire ends "A" and "B" firmly into the pillar corners behind the bolt heads and against the base. (See Lower Detail.)
4. Complete the installation by snapping bent ends "C" and "D" into the two holes in the pillar. (See Upper Detail.)
5. When complete, the X-brace should be positioned as shown in the lower right picture.



Assembly Instructions • Install the Side Tables.

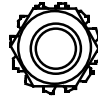
tools needed:

3/8" open-end wrench

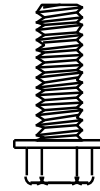
7/16" open-end wrench



Use hardware bag "C":



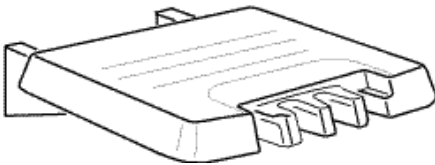
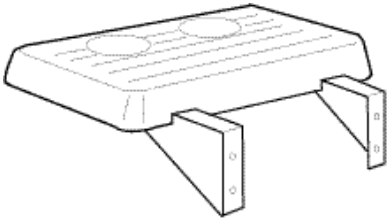
1/4-20
locking hex nut
(8)



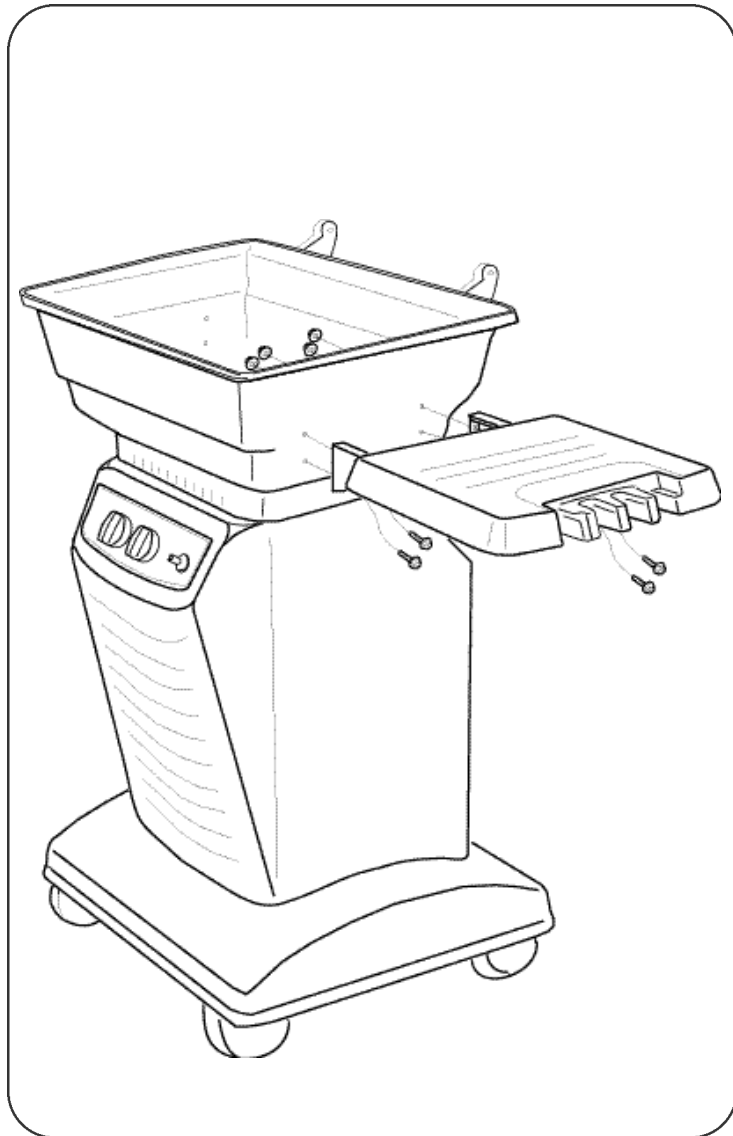
1/4-20 x 3/4" bolt
(8)

Locate these parts:

left side table
assembly (1)



right side table
assembly (1)



1. Insert four 3/4" bolts through holes in the support brackets of the right side table assembly.
2. Attach the right side table to the four holes located in the right side of the grill bottom using the locking hex nuts provided.



3. Insert four 3/4" bolts through holes in the support brackets of the left side table assembly.

HINT: Preformed hooks included on the right side table assembly may be used to keep cooking utensils (not included) at hand.

4. Attach the left side table to the four holes located in the left side of the grill bottom using the locking hex nuts provided.

CAUTION: Do not apply more than 15 pounds to either side table that could unbalance and tip the grill.

Assembly Instructions • Assemble the Grill Lid

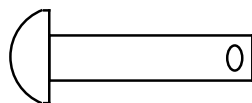
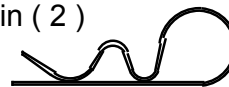


tools needed:
7/16" open-end wrench
flat-blade screwdriver

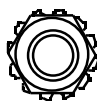


use
hardware bag "D":

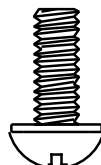
hairpin (2)



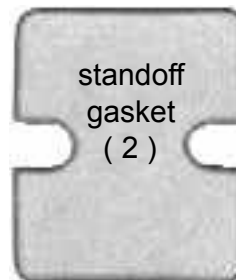
hinge pin
1/4 x 1 1/8"
(2)



1/4-20
hex nut (2)



1/4-20 x 3/4"
bolt (4)



standoff
gasket
(2)

Locate these parts:

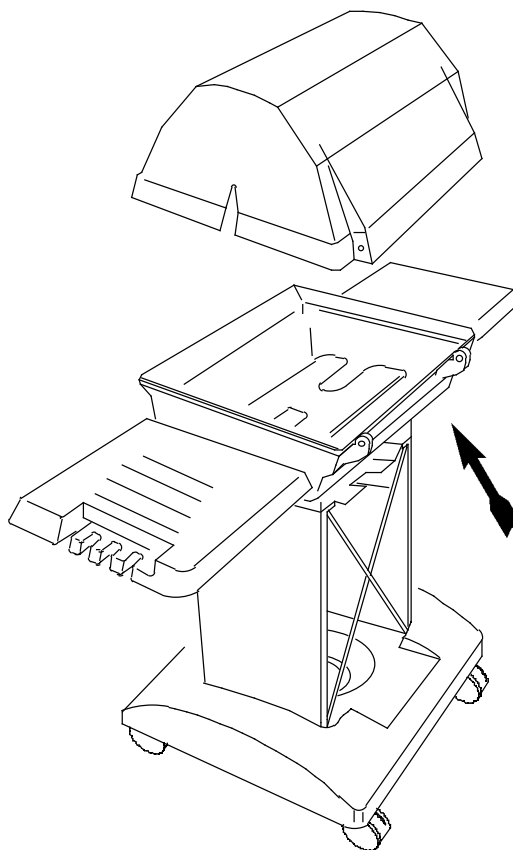
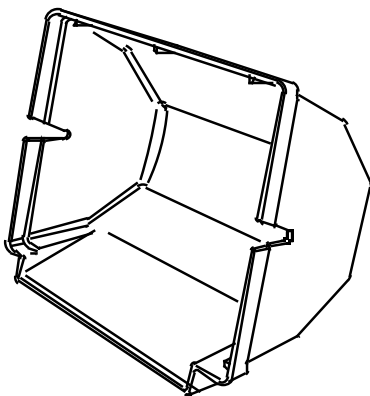
handle
(1)



handle standoff
(2)



grill lid
(1)

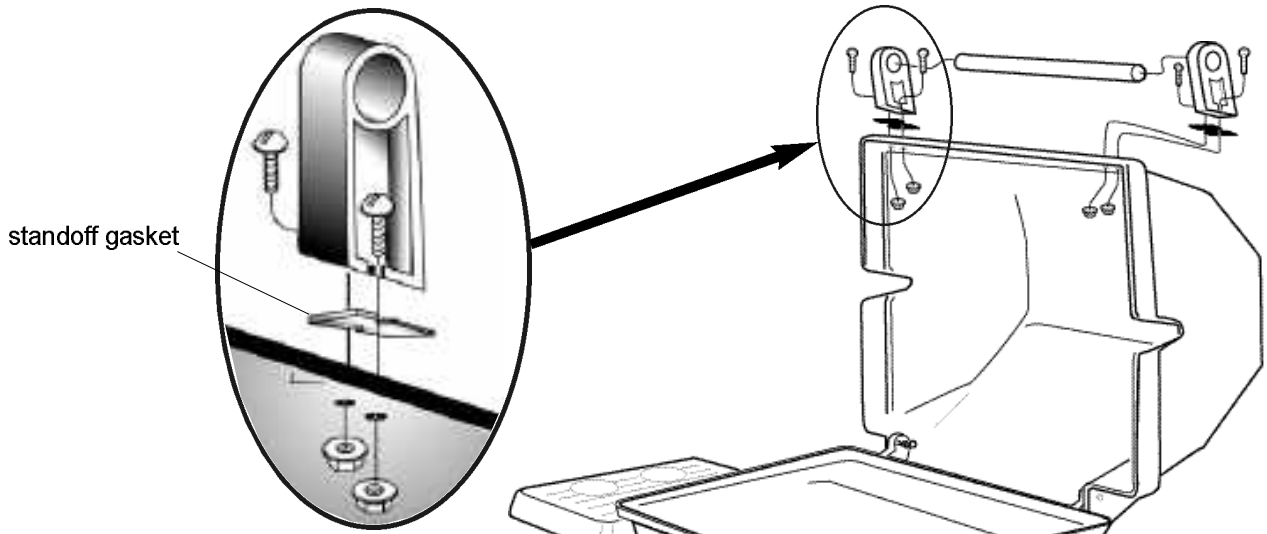
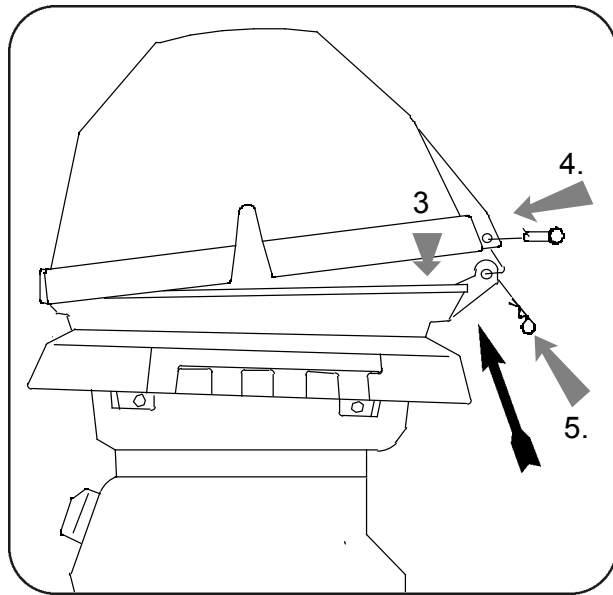


1. Position the back of the lid so that the rear holes are in line with the hinge struts on the back of the grill bottom.
2. Gently set the grill lid onto the grill bottom.

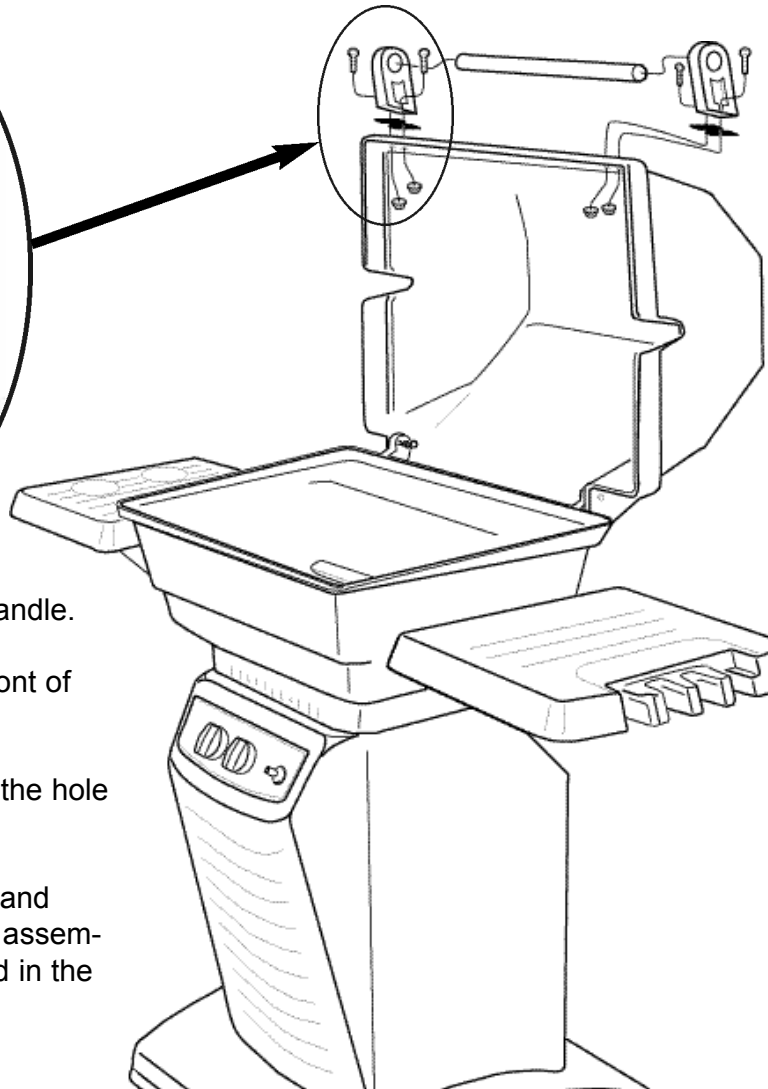
3. Hold the lid to align the hinge holes.
4. Insert a hinge pin through the hinge hole in the lid and into the hole in the bottom hinge strut.
5. After the hinge pin is in place, insert a hair pin through the hole of the hinge pin to secure it.

HINT: There is an air space between the back of the lid and the grill bottom where you can install the pins.

6. Repeat for the opposite side.



7. Raise the lid to attach the front handle.
8. Attach a handle standoff to the front of the grill lid, as shown.
9. Insert one end of the handle into the hole of the standoff.
10. Place other standoff onto handle and while holding the handle in place assemble the opposite standoff to the lid in the same manner.

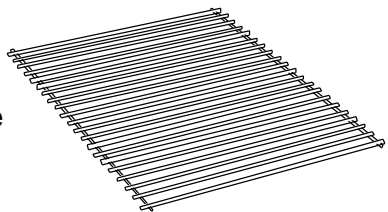


Assembly Instructions • Installing the Internal Grill Parts.

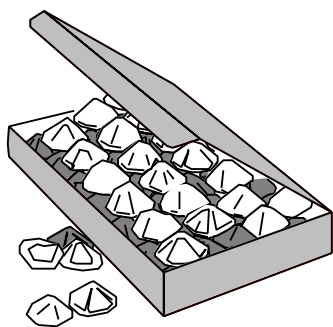
No tools are needed.

Locate these parts:

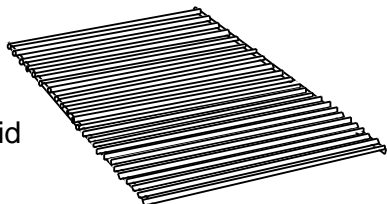
rock grate
(1)



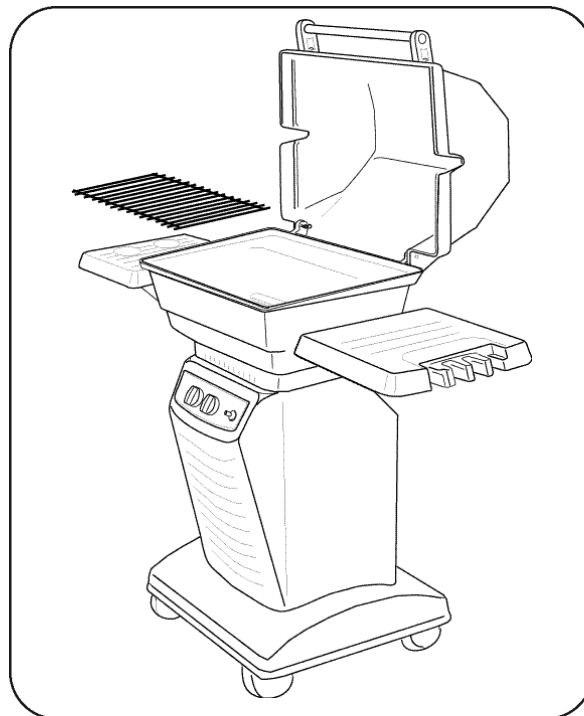
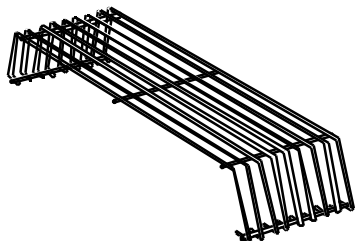
ceramic
briquettes
(1 box)



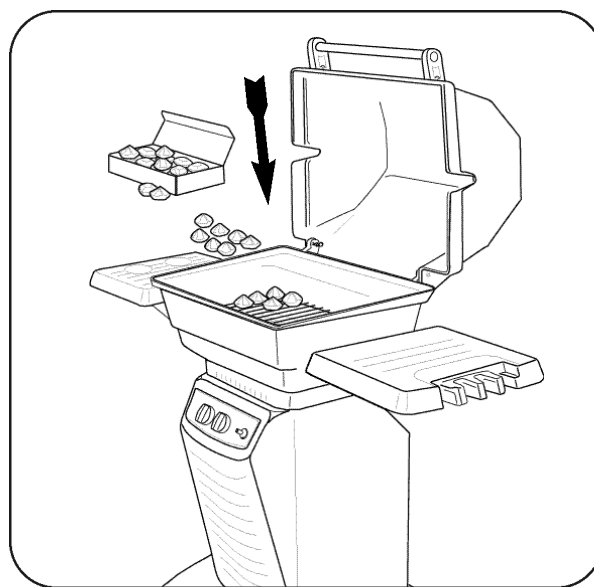
cooking grid
(1)



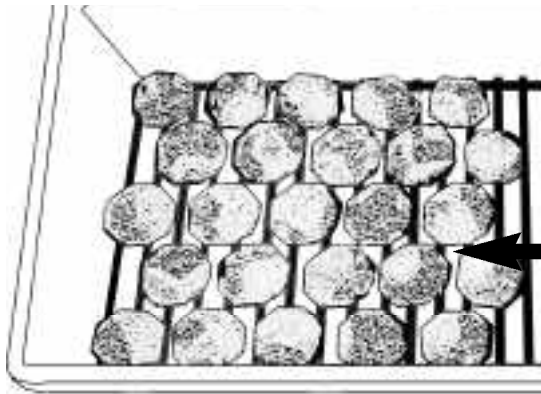
warming
rack
(1)



1. Place the single rock grate into the grill bottom.



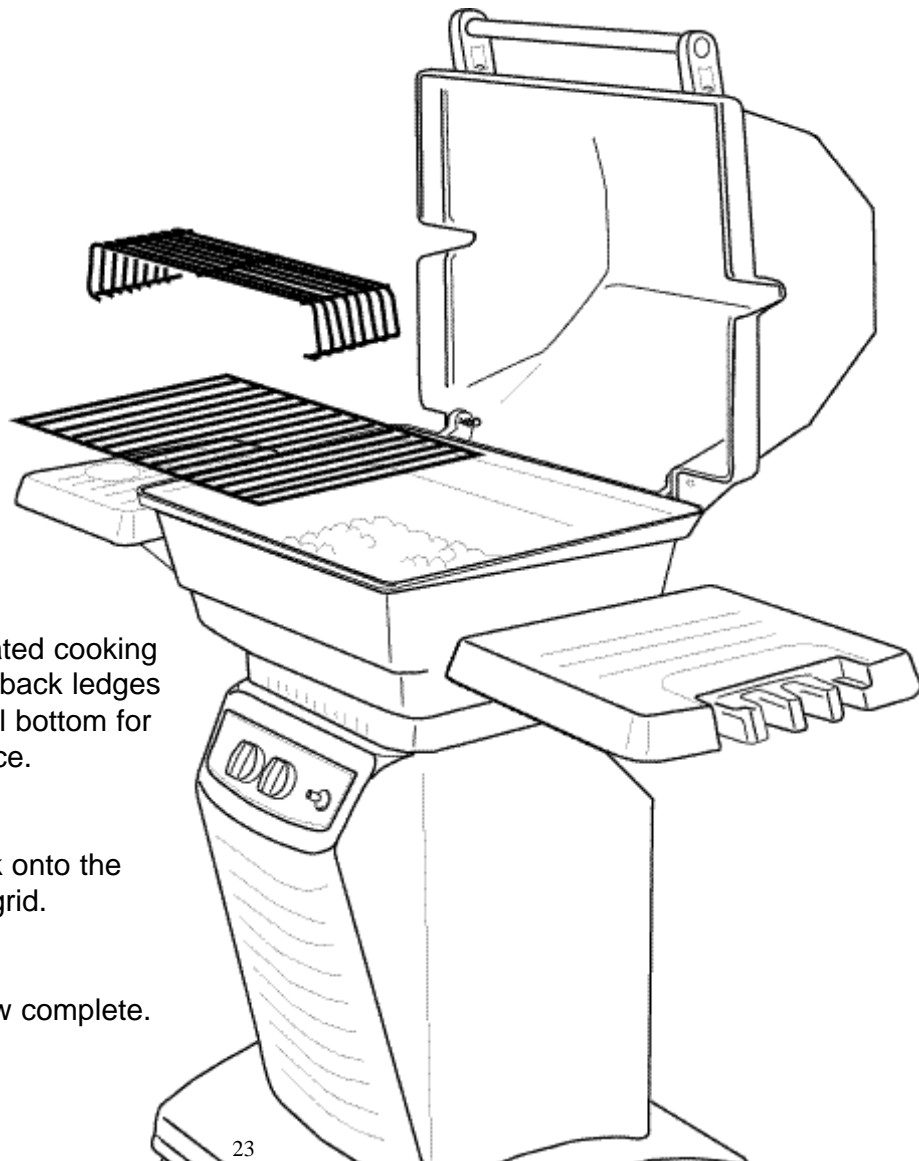
2. Open the package containing the ceramic briquettes and place them on the rockgrate.



3. It is important to properly arrange all the ceramic briquettes onto the rock grate to allow for good air flow during use.

NOTICE THE SPACING:

The proper amount of briquettes are supplied and there is no need to add more. Some space between the briquettes is necessary.



4. Set the porcelain coated cooking grid on the front and back ledges formed inside the grill bottom for a level cooking surface.

5. Set the warming rack onto the back of the cooking grid.

The grill assembly is now complete.

Model 4000 Series Replacement Parts

Replacement parts are available direct from our warehouse. Some components are not available preassembled and may be ordered separately. For convenience, the following parts list is provided along with a representation of the items listed. Charges for replacement parts and shipping may apply.

For warranty replacements, proof of ownership and date of purchase is required.

Please call 888-869-5454 to receive a return authorization number before returning any grill components.

To order parts call toll free in the USA: 888-869-5454.

You may also write to:

the Great Outdoors Grill Company®
7980 East American Drive
Joplin, Missouri U.S.A. 64804

PLEASE NOTE: All parts that meet the warranty requirement will be shipped at no-charge via the discretion of the Customer Service Department (ground shipments, US Mail, or Parcel Post ONLY). Any Special handling charges (i.e. Second Day, Overnight, etc.) will be the responsibility of the consumer.

Parts Enclosed

<i>quantity</i>	<i>description</i>	<i>part number</i>
1	Main Hardware Bag	AM000404
1	Hardware Bag "A"	
6	14 x 20 x 34" Bolt	AM000105
6	14 x 20 Hex Keps Nut	AM000904
1	Hardware Bag "B"	
4	14 x 20 x 3/4" Bolt	AM000105
1	Hardware Bag "C"	
8	14 x 20 x 34" Bolt	AM000105
8	14 x 20 Hex Keps Nut	AM000904
1	Hardware Bag "D"	
2	14 x 1 1/8" Hinge Pin	AM000908
2	Hairpin	AM000909
4	14 x 20 x 3/4" Bolt	AM000105
4	14 x 20 Hex Keps Nut	AM000904
2	Handle Gasket	AM000704

Parts Enclosed

<i>quantity</i>	<i>description</i>	<i>part number</i>
1	Grate	AF000203
1 package	Ceramic Briquettes	AQ000103
1	Cooking Grid	AF000104
1	Warming Rack	AF000304
1	Grill Lid	TOP350-BLK
1	Lid Handle	AP000102
2	Handle Standoffs	AZ000802
1	Aluminum Drip Pan	AI000302
1	X-Brace Cylinder Retainer	AF000404

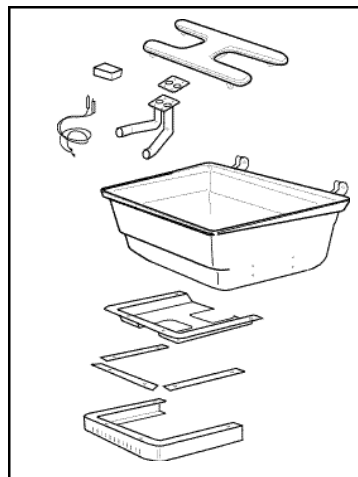
Preassembled Components

1	Base Assembly
1	Pillar Assembly
1	Bottom/Burner Assembly
1	Right Side Table Assembly
1	Left Side Table Assembly

Breakdown of Preassembled Components

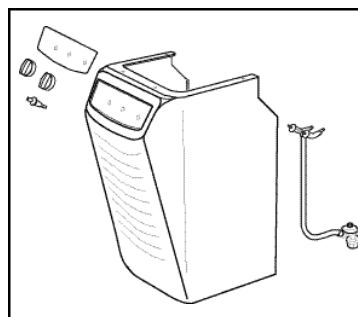
Bottom/Burner Assembly

quantity	description	part number
1	Bottom/Burner Assembly	
<i>consisting of:</i>		
1	Cast Iron Burner	AZ001505
1	Venturi Tube w/gasket	AZ000507
8	#8-32 x 7/16" Screw	AM000603
1	Bottom Grill Casting	BTM350-BLK
1	Collar	COLLAR C/P BLK
1	Heat Shield	AI000204
1	Forward Gasket	AM000911
2	Side Gasket	AM000910
4	1/4 x 20 x 1 1/4" bolt	AM000107
8	Speed Nuts	AM000906



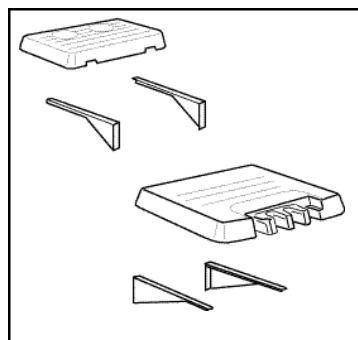
Pillar Assembly

1	Pillar Assembly	
<i>consisting of:</i>		
1	Pillar SF	AH000401
2	10 x 24 x 1/2" Bolt	AM000103
1	Valve/Regulator/Hose	AL000104
1	Push Button Igniter	AN000304
2	Control Knobs	AZ000704



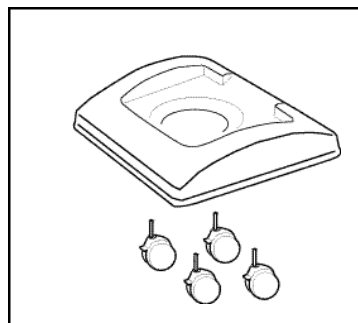
Side Table Assemblies

1	Right Side Table Assembly	
<i>consisting of:</i>		
1	R.H. Bracket	SDTBL BRKT R BLK
1	L.H. Bracket	SDTBL BRKT L BLK
1	Right Side Table (w/hooks)	AH000403
4	Screws	AM000206
1	Left Side Table Assembly	
<i>consisting of:</i>		
1	R.H. Bracket	SDTBL BRKT R BLK
1	L.H. Bracket	SDTBL BRKT L BLK
1	Left Side Table (cup holder)	AH000404
4	Screws	AM000206



Base Assembly

1	Base Assembly	
<i>consisting of:</i>		
1	Base SF	AH000402
2	Locking Caster	AH000303
2	Caster	AH000305



Free Manuals Download Website

<http://myh66.com>

<http://usermanuals.us>

<http://www.somanuals.com>

<http://www.4manuals.cc>

<http://www.manual-lib.com>

<http://www.404manual.com>

<http://www.luxmanual.com>

<http://aubethermostatmanual.com>

Golf course search by state

<http://golfingnear.com>

Email search by domain

<http://emailbydomain.com>

Auto manuals search

<http://auto.somanuals.com>

TV manuals search

<http://tv.somanuals.com>