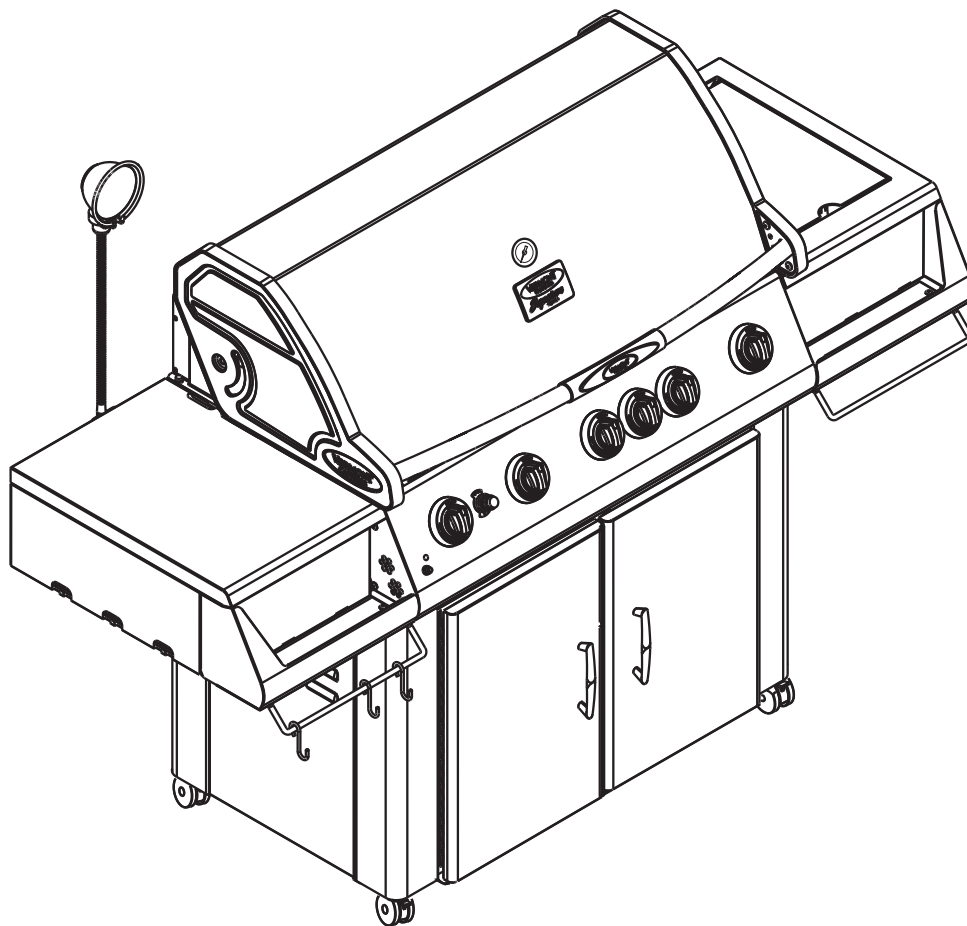




## Assembly Procedures VCS501 Series

**Tools Required:** Knife or scissors, Phillips or Robertson (square head) screwdriver, 7/16" and 3/8" wrench or ratchet. The use of a manual screwdriver is strongly recommended. A power drill may cause damage to the unit.



**CAUTION:** This grill is intended **ONLY** to be used as a cart model, this grill cannot be built into an enclosure.

**CAUTION:** The assembly of this grill requires two (2) people.

**WARNING:** Some parts may have sharp edges; to avoid injury, wearing gloves during assembly, lifting or moving the grill is recommended. Protective eyewear and long sleeves are also strongly recommended.

## Step 1: Unpack Carton and Verify Contents

Use a sharp cutting tool to cut the straps on the packaging and then lift off the carton top. Remove the box on the top. The sleeve surrounding the barbecue can be removed by lifting it straight up and over the top of the unit. Compare all contents to the parts list and the carton content lists below. Refer to the parts list for fastener detail.

**CAUTION:** Some parts may have sharp edges; to avoid injury, wearing gloves during assembly is strongly recommended.

### VCS501 Series Carton Contents

#### Box 1 (20302911)

Grease Pan  
Grease Cup  
Warming Rack  
Spit Rod  
Bracket Spit Rod Storage (2)

#### Box 2 (20302912)

Condiment Tray Left  
Condiment Tray Right  
Towel Bar (2)  
Utensil Hook (3)  
Hardware Bag Side Shelves  
Door Accessory Shelf

#### Box 3 (50004557)

Heat Plate (5)

#### Box 4 (30005363, 4 boxes)

Cook Grate

#### Box 5

(20302913LP for VCS501SSP)

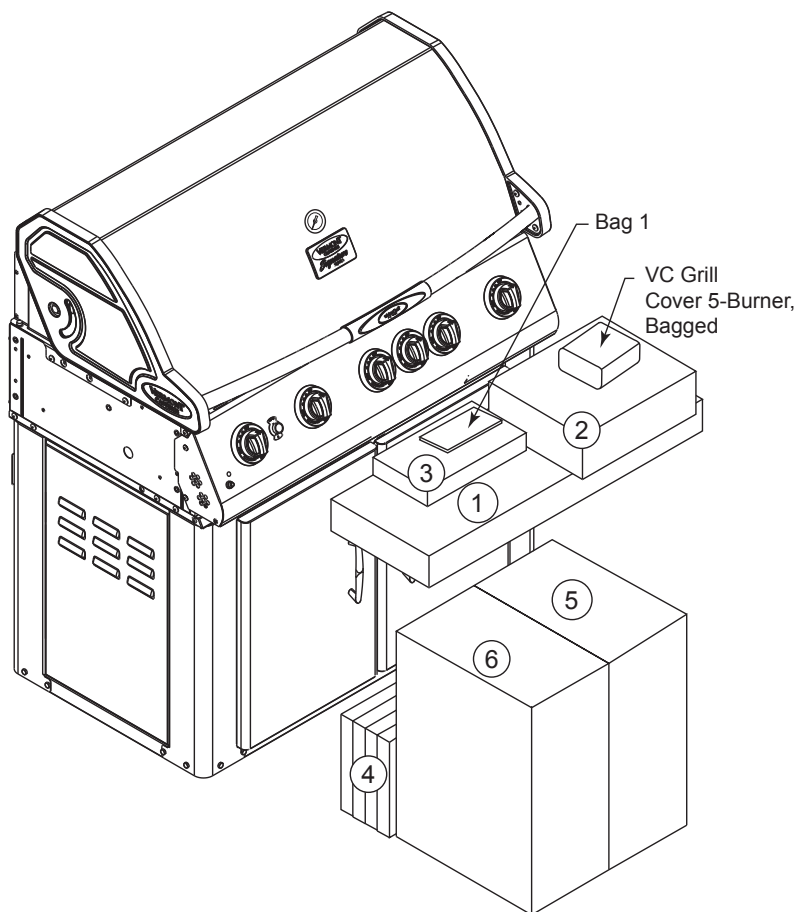
Shelf Right Assembly  
Cover Side Burner  
Side Burner Assembly LP  
Side Burner Cook Grate

#### OR

#### Box 5

(30005532NG for VCS501SSN)

Shelf Right Assembly  
Cover Side Burner  
Side Burner Assembly NG  
Side Burner Cook Grate



#### Box 6 (20302914)

Shelf Left Assembly  
Smoker Kit  
Kit VC Light  
Rotisseries Motor Kit  
Caster Swivel (2)  
Caster Swivel w/ Brakes (2)  
Hardware Bag, Casters

#### Bag 1: Instruction Bag Assembly

(30005529)  
User's Guide Manual  
Assembly Instructions  
Parts List  
Battery "AA"

**CAUTION:** Some parts may have sharp edges; to avoid injury, wearing gloves during assembly, lifting or moving the grill is recommended.

## Step 2a: Install the Casters

This step requires 2 people.

### Parts Required:

- (4) Casters (2 with brake, rear; 2 without brake, front)
- (1) Block (not included)
- (16) 1/4-20 Flange Nut (30005406)

Figure 1

**NOTE:** Casters (wheels) may differ from those shown in the illustration depending on the model you purchased.

Select a side to begin installing the casters. Place a block of wood, thick telephone book or anything else available - approximately 6 inches thick - under the side to support the weight of the barbecue. Insert the four (4) bolts attached on the casters into their respective holes located on the bottom, near the front. If you have any difficulty snapping them into place, try rotating the casters in a circular motion.

As one person holds the front caster in place, the other opens the front door and installs four (4) flange nuts. Tighten the flange nuts on the front caster. Repeat this process with the rear caster. When both casters are in place on one side, repeat the same procedure on the opposite side.

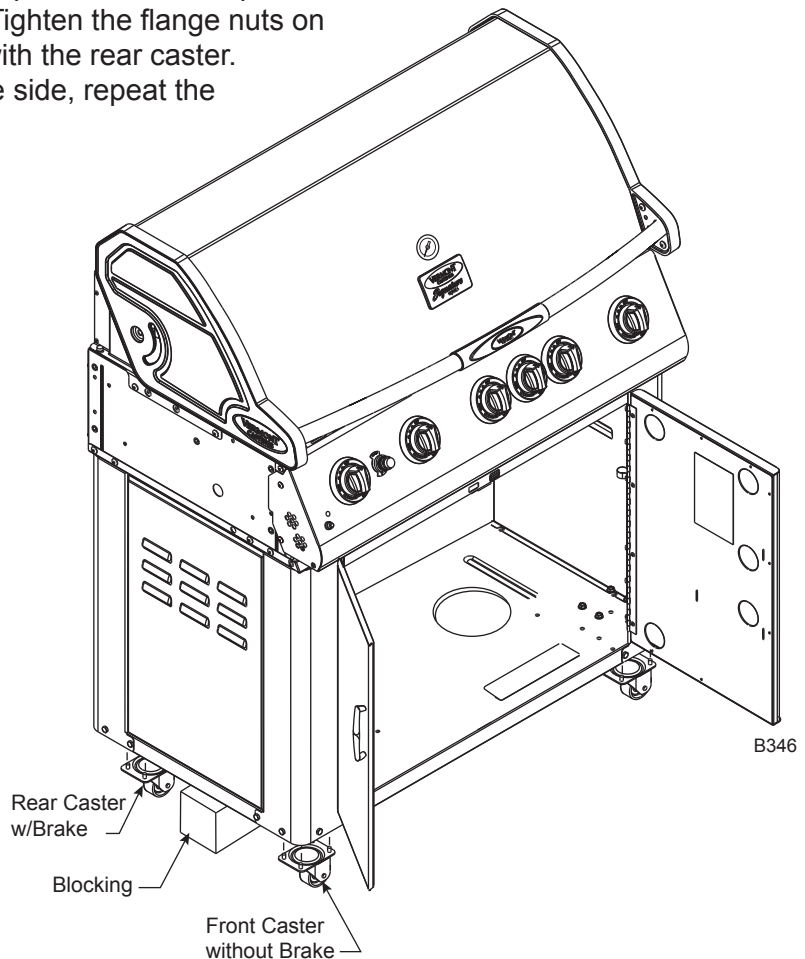


Figure 1

**CAUTION:** Some parts may have sharp edges; to avoid injury, wearing gloves during assembly, lifting or moving the grill is recommended.

## Step 2b: Attach Skirt (Optional)

### Parts Required:

- (1) Skirt Left Assembly
- (1) Skirt Right Assembly
- (1) Skirt Front Assembly
- (2) Skirt Corner Assemblies
- (7) #10-24 x 1/2" Screws (50000337)
- (4) Adjustable Leveling Glide

### Figures 2 & 3

**NOTE:** Remove protective coating from corner posts before proceeding with this step.

Screw-in two (2) adjustable leveling glides into hex threaded insert provided in front skirt assembly.

Screw-in one (1) adjustable leveling glide into hex threaded insert provided in left and right skirt assemblies.

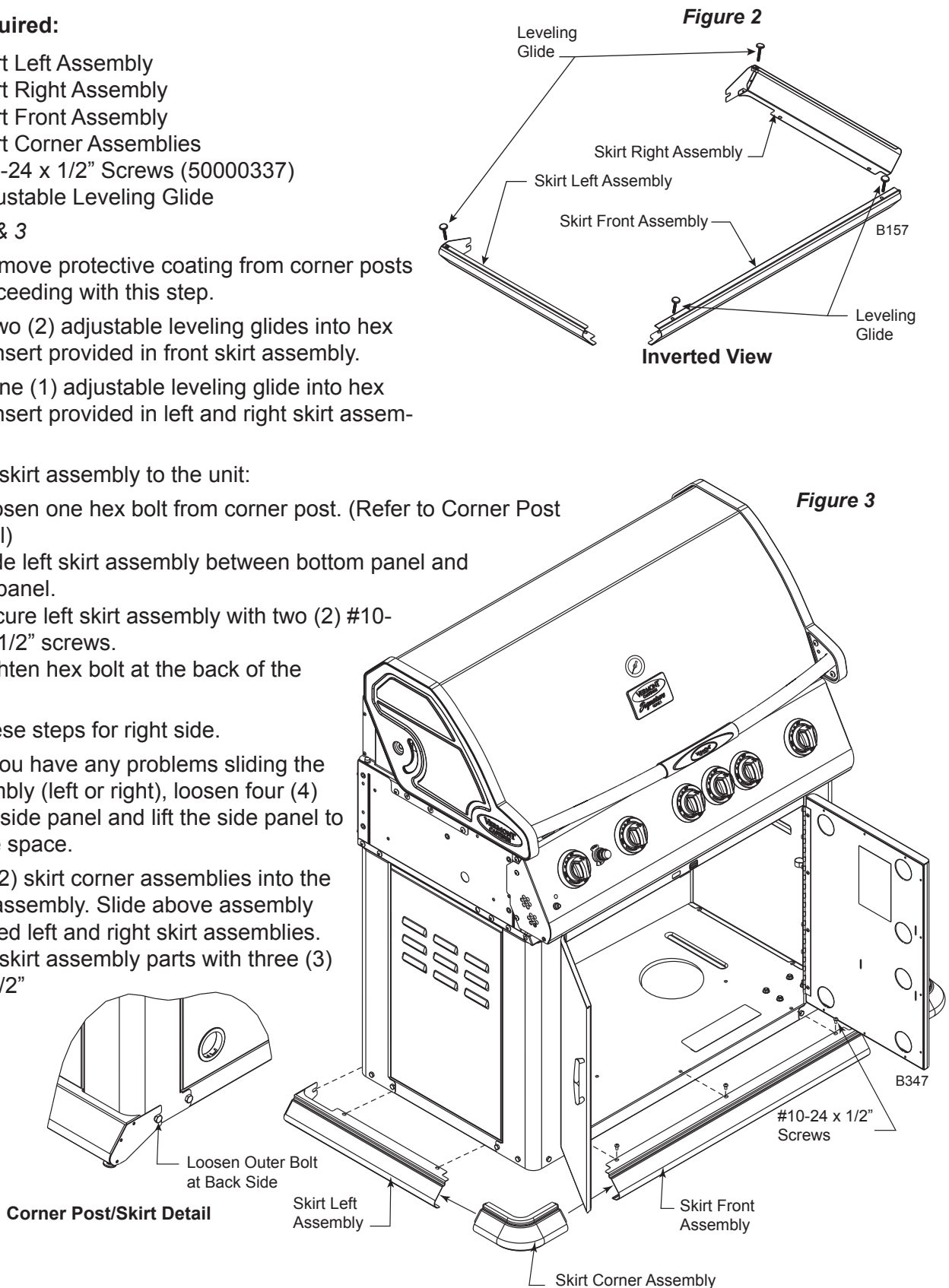
Attach left skirt assembly to the unit:

- Loosen one hex bolt from corner post. (Refer to Corner Post Detail)
- Slide left skirt assembly between bottom panel and side panel.
- Secure left skirt assembly with two (2) #10-24 x 1/2" screws.
- Tighten hex bolt at the back of the unit.

Repeat these steps for right side.

**NOTE:** If you have any problems sliding the skirt assembly (left or right), loosen four (4) screws on side panel and lift the side panel to allow more space.

Slide two (2) skirt corner assemblies into the front skirt assembly. Slide above assembly into attached left and right skirt assemblies. Secure all skirt assembly parts with three (3) #10-24 x 1/2" screws.



**CAUTION:** Some parts may have sharp edges; to avoid injury, wearing gloves during assembly, lifting or moving the grill is recommended.

### Step 3: Grease Pan / Grease Cup Installation

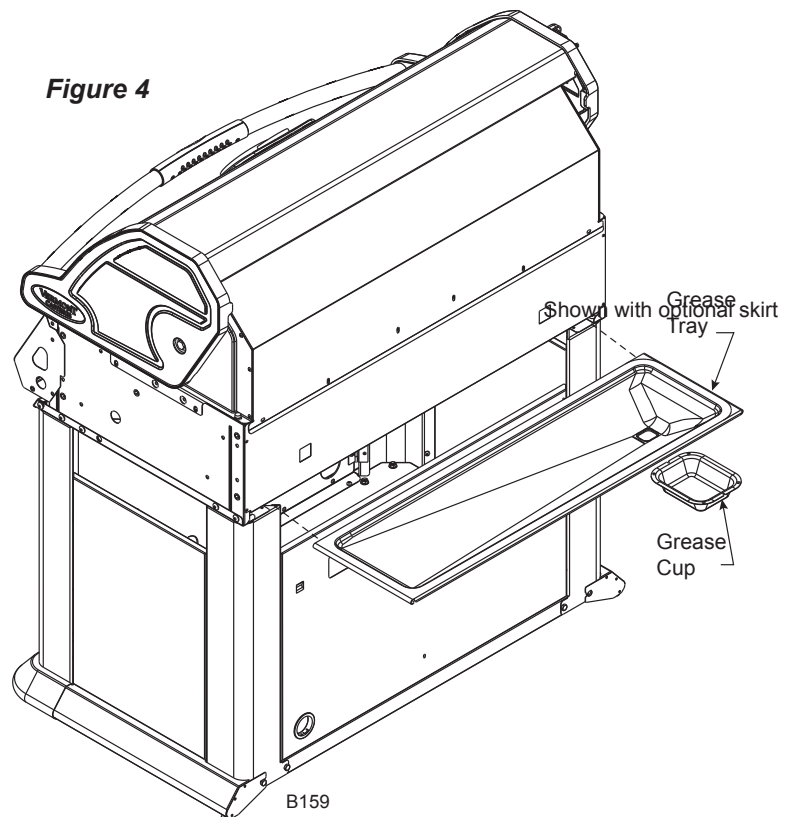
**Parts Required:**

- (1) Grease Pan
- (1) Grease Cup

*Figure 4*

Install grease pan from back side of unit. **NOTE:** Be sure the grease tray is positioned with the opening in the bottom of the grease tray located over the grease cup.

Place grease cup into grease cup holder attached to bottom of left brace support.



**CAUTION:** Some parts may have sharp edges; to avoid injury, wearing gloves during assembly, lifting or moving the grill is recommended.

**Parts Required for Steps 4, 5, 6 & 7**

**Right Side Shelf**

- (1) Kit Condiment Tray\*
- (1) Kit Shelf Right\*\*

**Left Side Shelf**

- (1) Kit Condiment Tray\*
- (1) Kit Shelf Left\*\*\*

**\*Kit Condiment Tray Contents**

- (1) Condiment Tray Left
- (1) Condiment Tray Right
- (2) Towel Bars
- (3) Utensil Hooks

**\*\*Kit Shelf Right Contents**

- (1) Shelf Right Assy w/Support Brackets
- (1) Cover Side Burner Assy
- (1) Side Burner Assembly

**\*\*\*Kit Shelf Left Contents**

- (1) Shelf Left Assy w/Support Brackets

**CAUTION: Some parts may have sharp edges; to avoid injury, wearing gloves during assembly, lifting or moving the grill is recommended.**

## Steps 4 & 5: Right & Left Side Shelf Assembly

### Parts Required:

- (1) Kit Condiment Tray
  - (1) Condiment Tray Left
  - (1) Condiment Tray Right
- (1) Hardware Bag Side Shelves (for both right and left side shelves)
- (1) Kit Shelf Right
  - (1) Shelf Right Assy w/Support Brackets, Cover and Side Burner Assembly installed
- (1) Kit Shelf Left
  - (1) Shelf Left Assy. w/Support Brackets

Figure 5

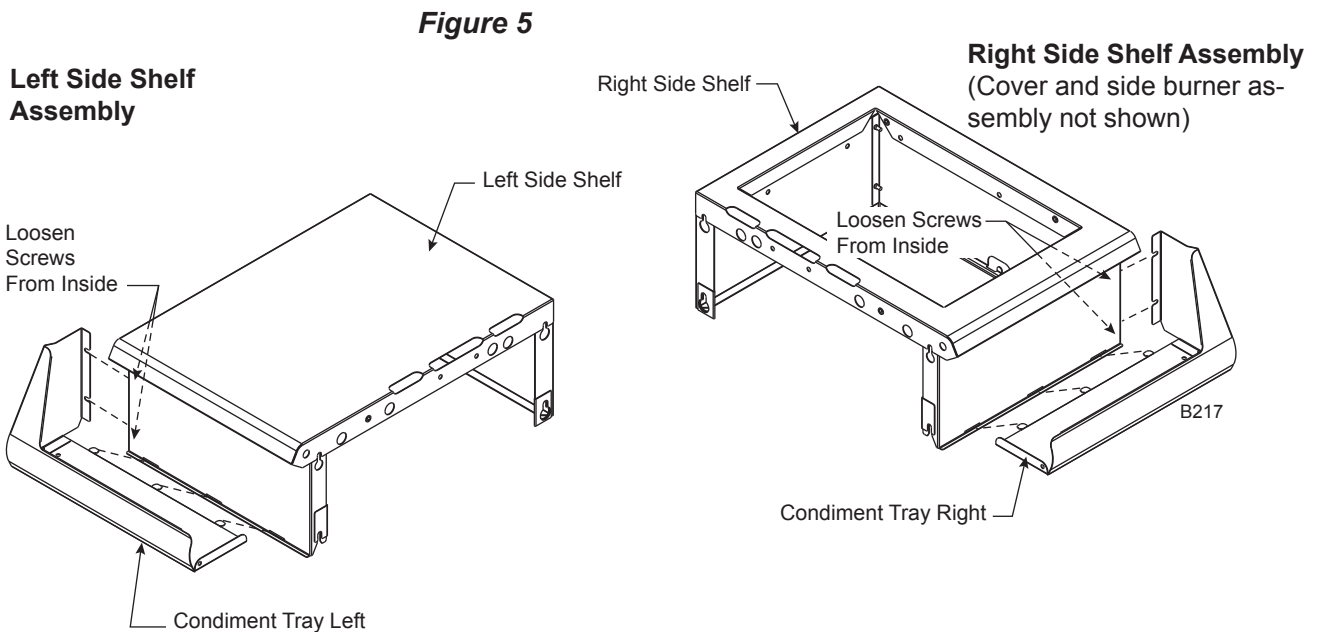
### Left Side Shelf

Loosen two (2) screws on the support front of the left shelf assembly.

Slide the front condiment tray into the gap between front support and the side panel as shown.

Tighten the two (2) screws loosened earlier.

Repeat for right side shelf.



**CAUTION:** Some parts may have sharp edges; to avoid injury, wearing gloves during assembly, lifting or moving the grill is recommended.



## Step 6: Attach Right Shelf Assembly to Grill

### Parts Required:

#### Right Shelf Assembly

- (1) Right Shelf Assy. (Step 4)
- (4) 1/4-20 x 1½" Screws (50001383)
- (2) #10-24 x 1/2" Screws (50000337)

### Figures 6 & 7

Loosely screw in (4-5 turns) four (4) 1/4-20 x 1½" screws to the side of the grill.

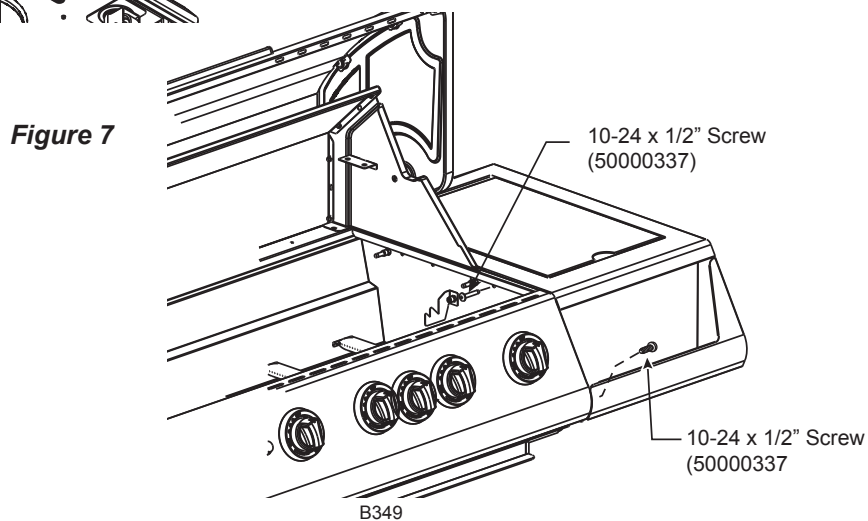
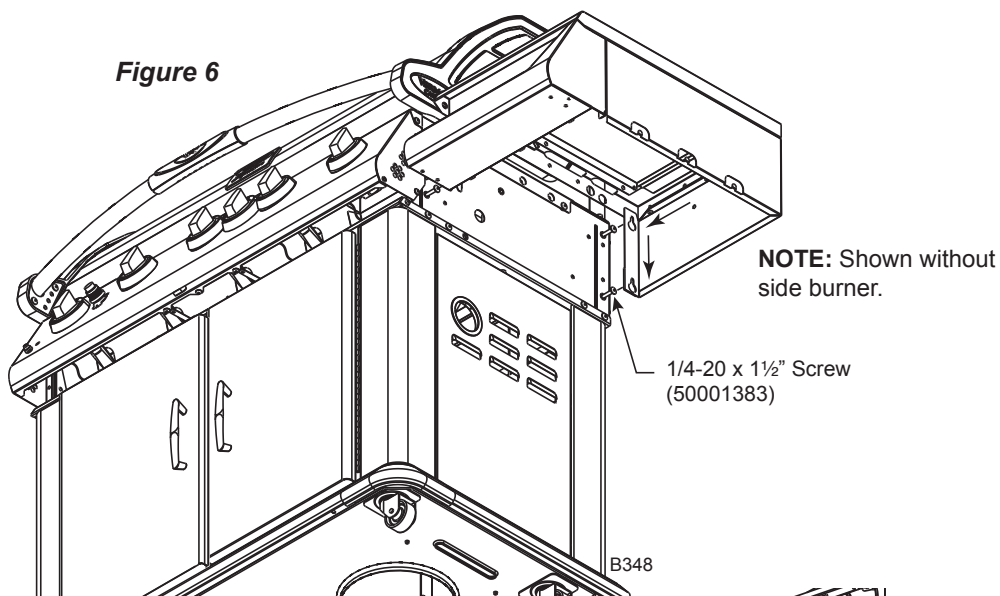
Place right shelf assembly onto screws.

**NOTE:** Ensure the side burner ignitor wire is not pinched as the shelf assembly is installed into the unit.

Secure (tighten) four (4) screws to the grill.

Secure condiment tray to the console with one (1) #10-24 x 1/2" screw.

From inside grill, attach 10-24 x 1/2" screw to the right shelf assembly.



**CAUTION:** Some parts may have sharp edges; to avoid injury, wearing gloves during assembly, lifting or moving the grill is recommended.



## Step 7: Attach Left Shelf Assembly to Grill

### Parts Required:

#### Left Shelf Assembly

- (1) Left Shelf Assy. (Step 5)
- (4) 1/4-20 x 1/2" Screws (50001383)
- (2) #10-24 x 1/2" Screws (50000337)

### Figure 8

Loosely screw in (4-5 turns) four (4) 1/4-20 x 1/2" screws to the side of the grill.

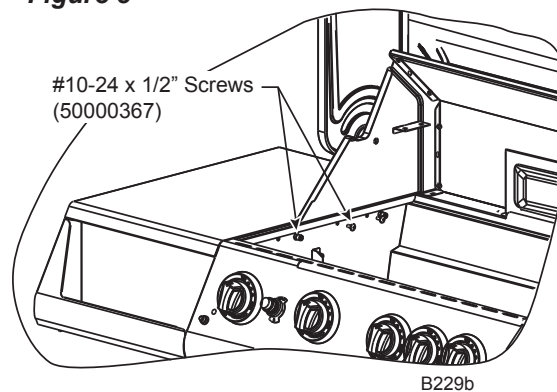
Place left shelf assembly onto screws.

Secure (tighten) four (4) screws to the grill.

Secure condiment tray to the console with one (1) #10-24 x 1/2" screws.

From inside grill, attach 10-24 x 1/2" screw to the left shelf assy.

Figure 8



B229b

**CAUTION:** Some parts may have sharp edges; to avoid injury, wearing gloves during assembly, lifting or moving the grill is recommended.

## Step 8: Attach Towel Bars, Utensil Hooks and Spit Rod Storage Brackets

### Parts Required

#### Left Side

- (1) Towel Bar
- (3) Utensil Hooks
- (4) #10-24 x 1/2" Screws (50000337)

#### Right Side

- (1) Towel Bar
- (4) #10-24 x 1/2" Screws (50000337)

#### Spit Rod Storage Bracket

- (2) Brackets (30005427)

### Towel Bars and Utensil Hooks

Figure 9

Slide three (3) utensil hooks into the towel bar. (Left side only)

Attach towel bar with utensil hooks to left side condiment tray as shown using four (4) #10-24 x 1/2" screws.

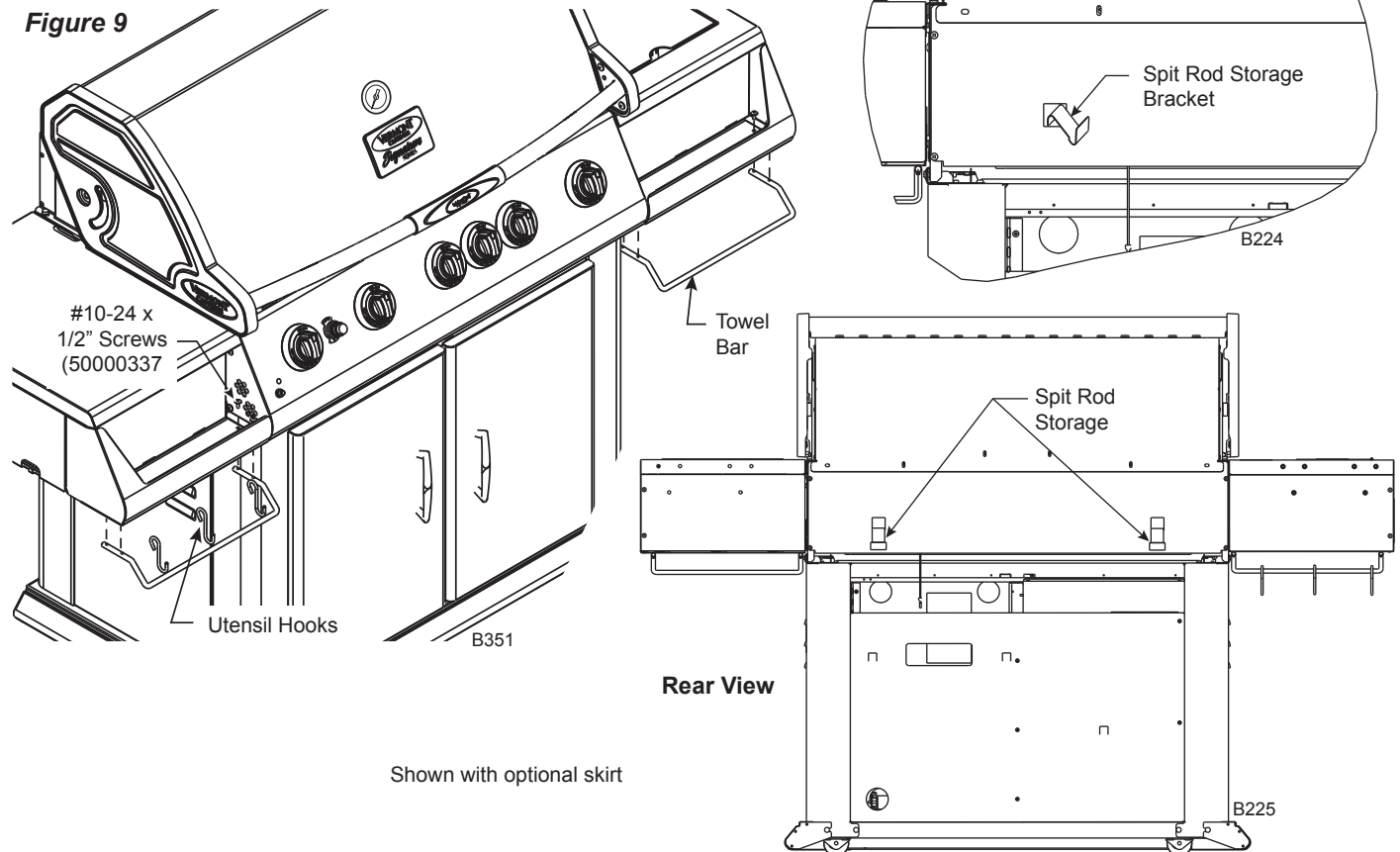
Attach towel bar without utensil hooks to right side condiment tray.

### Spit Rod Storage Brackets

Figure 10

The spit rod storage brackets are located on the back upper panel of the grill.

Tilt the bracket as shown, so the larger end of the bracket will fit into the opening. Then slide the bracket down. Repeat for both brackets.



**CAUTION:** Some parts may have sharp edges; to avoid injury, wearing gloves during assembly, lifting or moving the grill is recommended.

## Step 9: Attach Side Burner Assembly

Follow Side Burner Assembly Instructions to assemble side burner to unit.

## Step 10: Install the Ignitor Battery

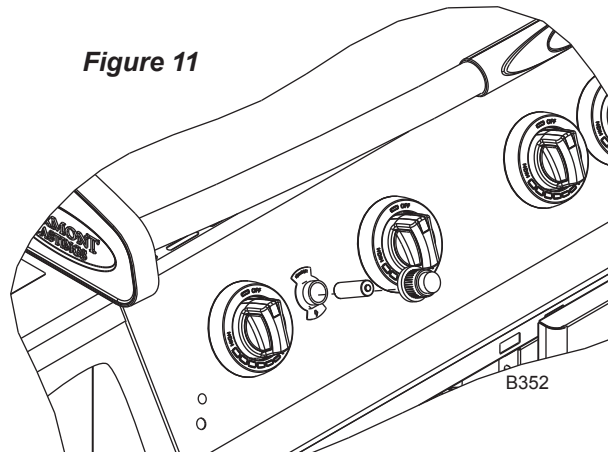
**NOTE:** VCS501 Series require one (1) "AA" battery.

*Figure 11*

Unscrew the ignition button from the console and insert the appropriate battery into the housing by placing the positive side of the battery first. Then screw the ignition button back into the console.

Check for sparks under each main burner before proceeding.

*Figure 11*



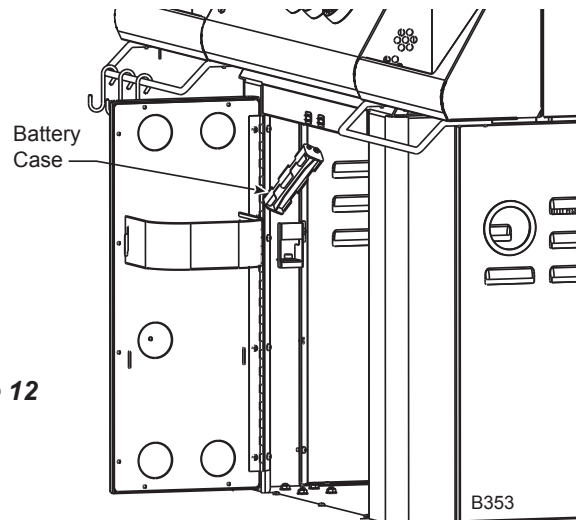
## Step 11: Install the Backlighting Batteries

**NOTE:** Eight (8) "AA" batteries are required. (Not included)

*Figures 12*

Remove the battery case from the battery holder. Insert the eight (8) "AA" batteries. Attach battery case to back light wire connection. Reinstall battery case in battery holder with back light connector on the top.

**WARNING:** Replacing the battery incorrectly might result in an explosion. Replace the battery only with the same or equivalent type recommended by the manufacturer. Dispose of used batteries according to your local environmental guidelines.



*Figure 12*

**CAUTION:** Some parts may have sharp edges; to avoid injury, wearing gloves during assembly, lifting or moving the grill is recommended.

## Step 12: Install the Internal Components

### Parts Required:

- (5) Sear Plates
- (4) Cooking Grates
- (1) Warming Rack
- (1) Smoker Box Assy

Figures 13, 14 & 15

Carefully place each of the sear plates side by side inside the barbecue. (Fig. 13) Make sure the semicircular finger groove is facing toward the front of the grill. Each sear plate rests just above each burner tube.

**NOTE:** Place the smoker box assembly on any sear plate by laying the bracket over the sear plate so the 'z' ends of the bracket fit into the 'z' slots of the sear plate. Slide the smoker box assembly back into the locked position. (Fig. 14) Continue placing the remaining sear plates. The smoker box may be left in place when not being used. **CAUTION:** Only add wood chips to the smoker box when grill is cool.

Figure 13

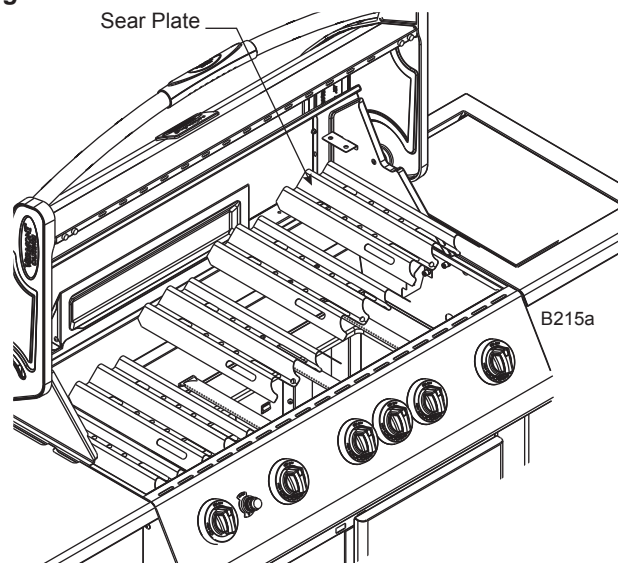
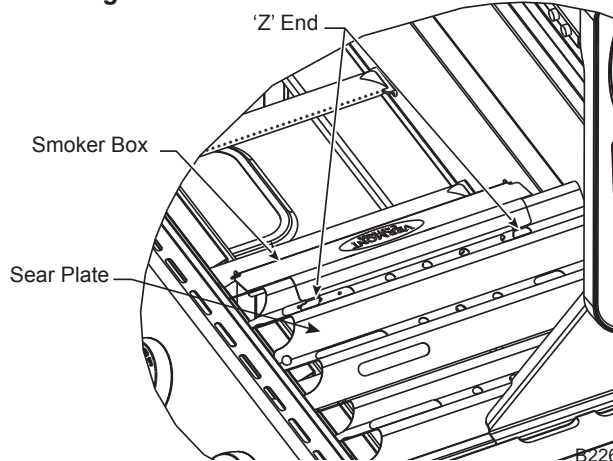


Figure 14



### Cooking Tips - Smoker Box

- To produce more smoke and prevent fast burning, pre-soak the wood chips in a separate bowl of water for at least 20 minutes.
- To add wood chips before cooking, fill the smoker box with your choice of flavored chips (remove wood chips from water first). The amount and type of wood you use is entirely up to you. Once the box is filled with the desired amount, close the lid and place the cooking grids in the proper position on the grill.
- Tips: Small wood chips work best inside the wood chip box.
- Allow grill to heat up before placing your food on the grill. This will allow time for the wood chips to begin to smoke.
- Do not use resinous woods such as pine or plywood. These will produce an unpleasant flavor.
- Do not try to add more wood chips while cooking. It is recommended that you allow grill to cool before replacing wood chips or handling the cooking grates which may still be hot.

**CAUTION:** Some parts may have sharp edges; to avoid injury, wearing gloves during assembly, lifting or moving the grill is recommended.

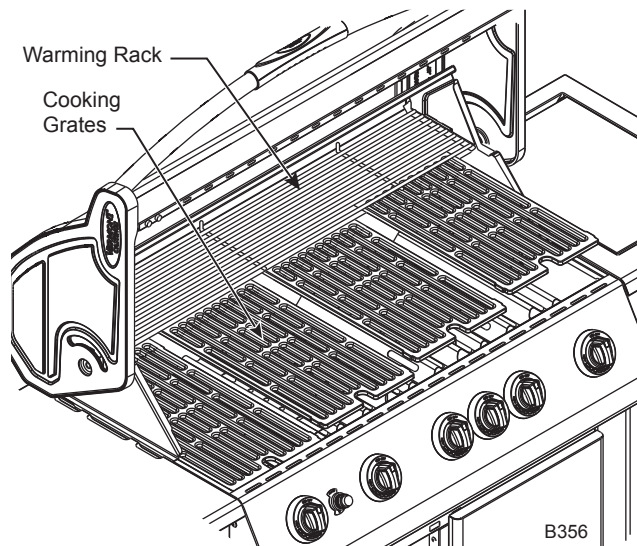
**Step 12: Install the Internal Components (continued)**

Set the cooking grates, side by side, on the upper ledge of the grill tub. (Fig. 15) Make sure the finger groove is facing toward the front of the grill.

Set the warming rack into the supports located on either side of the rear lid.

**CAUTION:** Do not attempt to turn the cooking grates over while the grill is in use and the grates are hot. Doing so could result in severe burns and other injuries.

**Figure 15**



**CAUTION:** Some parts may have sharp edges; to avoid injury, wearing gloves during assembly, lifting or moving the grill is recommended.

## Step 13: Install the LP Cylinder (LP Models ONLY)

### Parts Required:

(1) LP Gas Cylinder (not included)

Figures 16 & 17

**NOTE:** Check your User's Manual for the cylinder filling requirements, how to attach the regulator and how to test for leaks before you try lighting the grill.

**CAUTION:** Make sure the hose is not touching any hot or sharp surfaces.

Place the LP Cylinder into the hole in the bottom panel. Next secure it from moving by lifting the cylinder retainer wire and latching the bent edge over the lip of the cylinder.

The final step is to connect the regulator to the cylinder.

**CAUTION:** Do not turn on/ignite the grill until after performing a leak check at all gas connection points and fittings. With the main LP cylinder valve OPEN, and ALL CONTROL KNOBS FULLY OFF, use a spray solution of 50% liquid soap and 50% water onto all gas connection points and fittings. The formation of bubbles indicates an air leak that must be repaired and verified with this leak test before the grill is ignited.

**NOTE:** Ensure all plastic coatings have been removed from all stainless steel parts before using the grill.

Figure 16

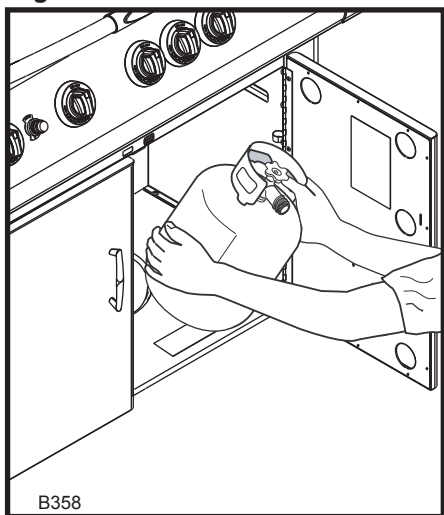
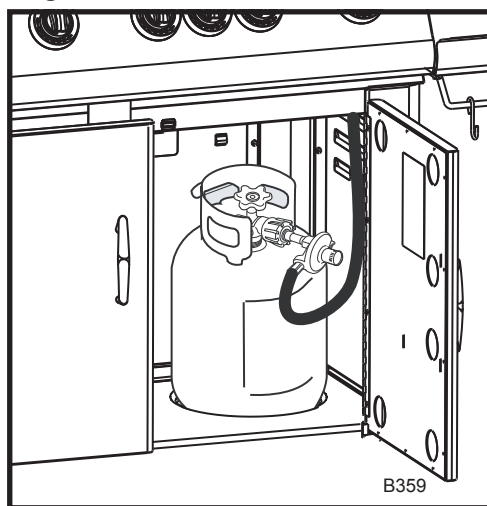


Figure 17



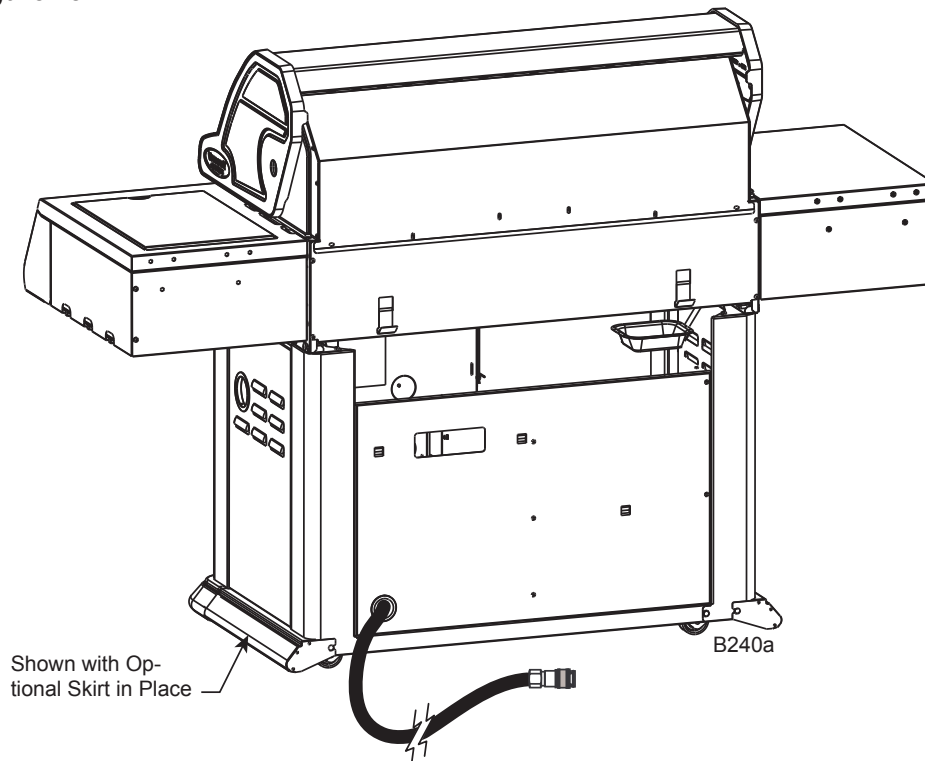
**CAUTION:** Some parts may have sharp edges; to avoid injury, wearing gloves during assembly, lifting or moving the grill is recommended.

## Step 14: Install the Natural Gas Hose (Natural Gas (NG) Models ONLY)

Figure 18

Run natural gas hose through bushing provided in back panel of grill.

Figure 18



**CAUTION:** Some parts may have sharp edges; to avoid injury, wearing gloves during assembly, lifting or moving the grill is recommended.



## Step 15: Install Shelf Light

### Parts Required:

- (1) Cook Light
- (3) #10-24 x 1/2" Screws (50000337)

Figures 19, 20 & 21

Attach the cook light to the side shelf using three (3) screws provided. (Fig. 19)

**Battery Installation** (3 "AA" alkaline batteries required, not included.)

Open the battery cap by turning the cap counterclockwise as shown in Figure 20. Insert the batteries into the battery compartment according to the layout in Figure 20. Replace battery cap.

### Operating Instructions

To turn the light ON and OFF, press the ON/OFF button located on the back of the cook light. (Fig. 20)

To adjust the cook light, simply move the flexible arm as desired to achieve the best lighting for your task.

After use, allow the light and grill to cool completely. Place the light face down on the shelf after use and for storage. (Fig. 21) Replace the grill cover. If a grill cover is not used, the light should be removed when not in use as rain, snow, etc. could damage the light.

**WARNING: The light may get hot when in close proximity to the grill surface. Do not touch the light lens when in operation. Allow it to cool.**

**WARNING: Keep the light away from flammable materials.**

**CAUTION: Do not move the cook light directly over the cooking area when the grill is on, as this may damage the cook light.**

**NOTE: The light will not work until the batteries are installed.**

**NOTE: For optimum battery life and to avoid damage to the light, we recommend you retract and turn off the light when not in use.**

**WARNING: Replacing the battery incorrectly might result in an explosion. Replace the battery only with the same or equivalent type recommended by the manufacturer. Dispose of used batteries according to your local environmental guidelines.**

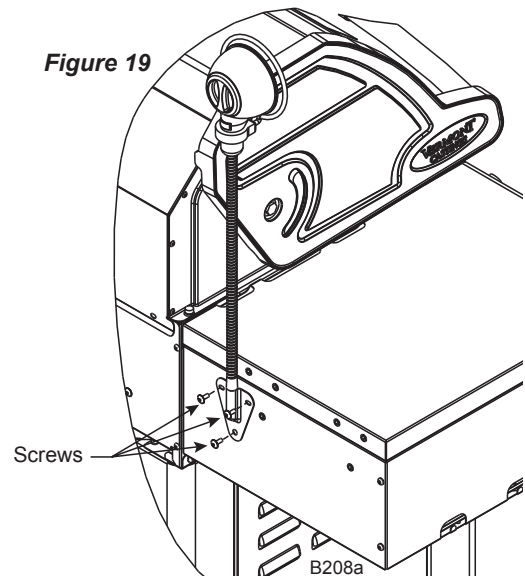


Figure 19

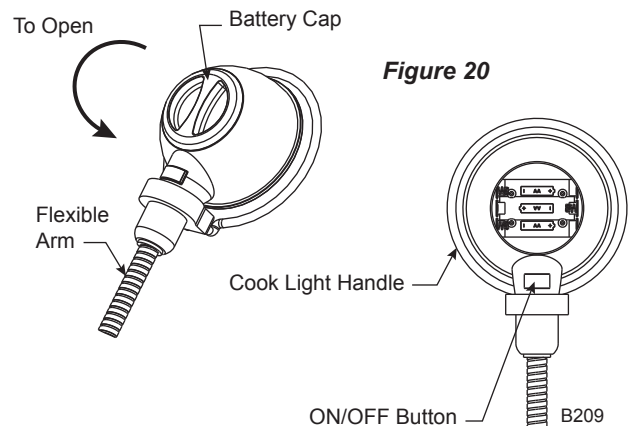


Figure 20

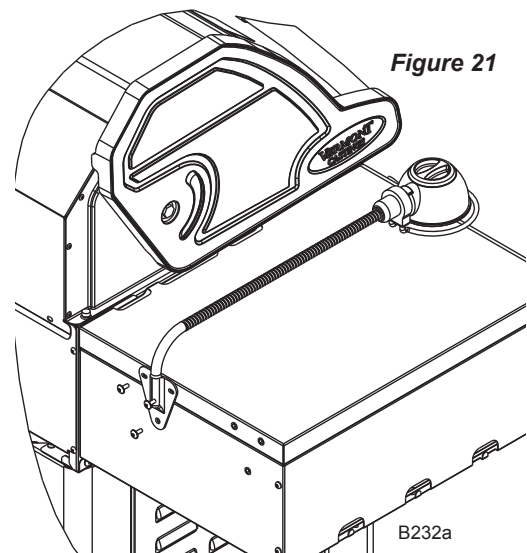


Figure 21

**CAUTION: Some parts may have sharp edges; to avoid injury, wearing gloves during assembly, lifting or moving the grill is recommended.**



**MHSC**

---

149 Cleveland Drive • Paris, Kentucky 40361  
www.mhsc.com

## Free Manuals Download Website

<http://myh66.com>

<http://usermanuals.us>

<http://www.somanuals.com>

<http://www.4manuals.cc>

<http://www.manual-lib.com>

<http://www.404manual.com>

<http://www.luxmanual.com>

<http://aubethermostatmanual.com>

Golf course search by state

<http://golfingnear.com>

Email search by domain

<http://emailbydomain.com>

Auto manuals search

<http://auto.somanuals.com>

TV manuals search

<http://tv.somanuals.com>