

# Free-Standing Fireplaces

—  
**MODEL A232**

## Installation Instructions & Homeowner's Manual

WARNING! IF THE INFORMATION IN THIS MANUAL IS NOT FOLLOWED EXACTLY, A FIRE OR EXPLOSION MAY RESULT CAUSING PROPERTY DAMAGE, PERSONAL INJURY OR LOSS OF LIFE.

### FOR YOUR SAFETY

#### WHAT TO DO IF YOU SMELL GAS:

- \* Do not try to light any appliance.
- \* Do not touch any electric switch
- \* Do not use any phone in your building.
- \* Immediately call your gas supplier from your neighbours phone. Follow the gas suppliers instructions.
- \* If you cannot reach your gas supplier call the fire department.

### FOR YOUR SAFETY

DO NOT STORE  
OR USE GASOLINE OR OTHER  
FLAMMABLE VAPOURS AND LIQUIDS  
IN THE VICINITY OF THIS OR ANY  
OTHER APPLIANCE.

- \* INSTALLATION AND SERVICE MUST BE PERFORMED BY A QUALIFIED INSTALLER, SERVICE AGENCY OR YOUR GAS SUPPLIER.



**INSTALLER: DO NOT DISCARD THIS MANUAL - LEAVE FOR HOMEOWNER**

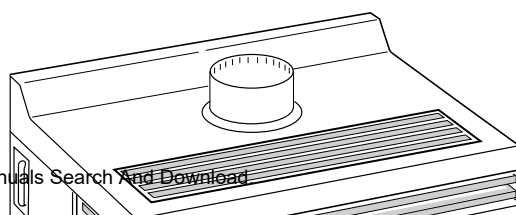
10002734  
6/00 Rev. 0

# TABLE OF CONTENTS

**PLEASE READ THE INSTALLATION & OPERATING INSTRUCTIONS BEFORE USING APPLIANCE.**

**IMPORTANT: Read all instructions and warnings carefully before starting installation. Failure to follow these instructions may result in a possible fire hazard and will void the warranty.**

<b>Installation Instructions</b> .....	3
Important Curing/Burn Information .....	3
Locating Your Fireplace .....	3
Clearance to Combustibles .....	3
Fireplace Dimensions .....	4
Gas Specifications .....	5
Preparation .....	5
Gas Line Installation .....	5
Installation of Remote Switch for RN/RP gas valve .....	6
Fan Kit .....	6
<b>General Information on Assembling the Vent Pipes</b> .....	7
Venting Instructions .....	7
Venting of the A232 Fireplace .....	7
Common Flue Installation .....	7
Retrofitting to an Existing Brick Chimney .....	8
Vent Safety System .....	8
Proper Vent Performance .....	8
Combustion Air .....	8
<b>Operating Instructions</b> .....	9
General Glass Information .....	9
Louvre Removal .....	9
Trim Removal .....	9
Glass Removal .....	9
Glass Cleaning .....	10
Installation of Logs and Burner Lava Rock .....	10
Maintenance .....	10
Cleaning Procedure .....	10
Flame Adjustment & Characteristics .....	11
Lighting and Operating Instructions .....	12
Troubleshooting Gas Control (SIT 630) .....	13
Troubleshooting Gas Control (Honeywell) .....	14
<b>Replacement Parts List</b> .....	15
Replacement Parts Pictorial .....	16
<b>Options</b> .....	27



# INSTALLATION INSTRUCTIONS

This gas fireplace should be installed by a qualified installer in accordance with local building codes and with current CAN / CGA-B149 (. 1 or .2) Installation codes for Gas Burning Fireplaces and Equipment.

FOR U.S.A Installations follow local codes and/or the current National Fuel Gas Code. ANSI Z223.1.

## FOR SAFE INSTALLATION AND OPERATION OF YOUR FIREPLACE PLEASE NOTE THE FOLLOWING:

1. This fireplace gives off high temperatures and should be located out of high traffic areas and away from furniture and draperies.
2. Children and adults should be alerted to the hazards of the high surface temperatures of this fireplace and should stay away to avoid burns or ignition of clothing.
3. Children should be carefully supervised when they are in the same room as your fireplace.
4. Under no circumstances should this fireplace be modified. Parts removed for servicing should be replaced prior to operating this fireplace again.
5. Installation and any repairs to this fireplace should be carried out by a qualified service person. A professional service person should be contacted to inspect this fireplace annually. Make it a practice to have all of your gas fireplaces checked annually. More frequent cleaning may be required due to excess lint and dust from carpeting, bedding material, etc.
6. Control compartments, burners and air passages in this fireplace should be kept clean and free of dust and lint. Make sure that the gas valve and pilot light are turned off before you attempt to clean this fireplace.
7. The venting system(chimney) of this fireplace should be checked at least once a year and if needed your venting system should be cleaned.
8. Keep the area around your fireplace clear of combustible materials, gasoline and other flammable vapour and liquids. This fireplace should not be used as a drying rack for clothing, nor should Christmas stockings or decorations be hung in the area of it.
9. Under no circumstances should any solid fuels (wood, coal, paper or cardboard etc.)be used in this fireplace.
10. The flow of combustion and ventilation air must not be obstructed in any way.
11. When the fireplace is installed directly on carpeting, vinyl tile or any combustible material other than wood, the fireplace must be installed on a metal or wood panel extending the full width and depth of the fireplace.
12. This fireplace requires adequate ventilation and combustion air to operate properly.
13. This fireplace must not be connected to a chimney flue serving a separate solid fuel burning fireplace.

## **IMPORTANT:** **PLEASE REVIEW THE FOLLOWING CAREFULLY**

**Remove any plastic from trim parts before turning the fireplace ON.**

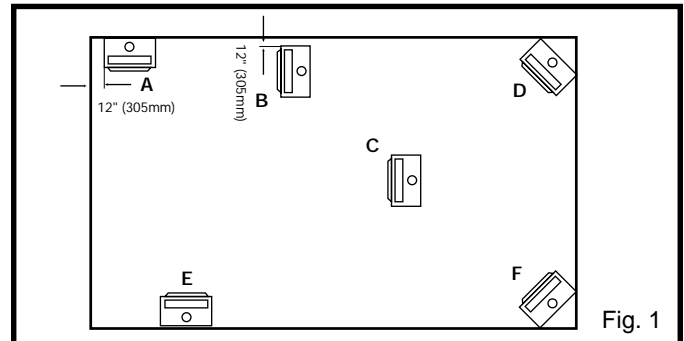
It is normal for fireplaces fabricated of steel to give off some expansion and/or contraction noises during the start up or cool down cycle. Similar noises are found with your furnace heat exchanger or car engine.

It is not unusual for your gas fireplace to give off some odour the first time it is burned. This is due to the curing of the paint and any undetected oil from the manufacturing process.

**Please ensure that your room is well ventilated - open all windows.**

It is recommended that you burn your fireplace for a least six (6) hours the first time you use it. If optional fan kit has been installed, place fan in the "OFF" position during this time.

## LOCATING YOUR GAS FIREPLACE



- A) \*Flat on wall corner      B) \*Room divider  
C) Island                      D) Cross corner  
E) Flat on wall

\* A & B must maintain a 12" (305mm) clearance between the wall and side glass of fireplace.



**A minimum 12 foot vent height is required to effectively vent this fireplace.**

## CLEARANCES TO COMBUSTIBLES

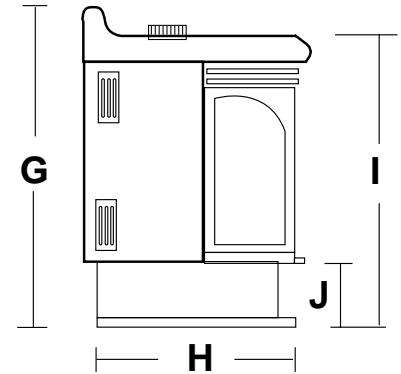
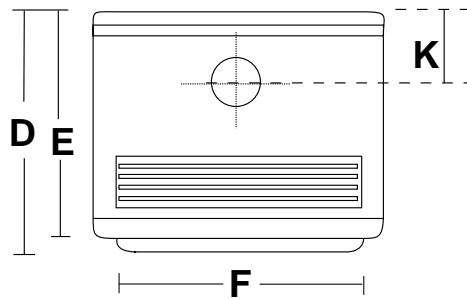
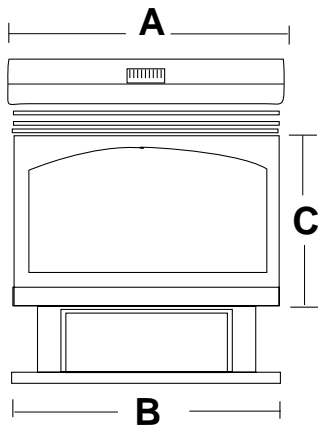
Adequate clearances as listed below must be maintained for servicing and proper operation.

BACK.....	1"
SIDES.....	12"
COMBUSTIBLE FLOOR.....	0"
TOP.....	36"
CORNER .....	0" to back edges

Flue Pipe Clearances - 6" Single Wall, 1" B" Vent.

# FIREPLACE DIMENSIONS

## MODEL A232



## MODEL A232

A	25"	635mm
B	24 <sup>1</sup> / <sub>8</sub> "	613mm
C	16"	406mm
D	20"	508mm
E	19"	483mm
F	21"	533mm
G	31 <sup>3</sup> / <sub>4</sub> "	806mm
H	17 <sup>3</sup> / <sub>4</sub> "	451mm
I	29 <sup>5</sup> / <sub>8</sub> "	752mm
J	9"	229mm
K	5 <sup>1</sup> / <sub>4</sub> "	133mm
L	–	–
M	–	–
N	–	–

## GAS SPECIFICATIONS

MODEL	FUEL	GAS CONTROL	MAX. INPUT B.T.U.H	MIN. INPUT B.T.U.H.
A232RN	Natural Gas	Millivolt Hi/Lo	30,000	21,000
A2S32RP	Propane Gas	Millivolt Hi/Lo	30,000	22,500

The installation of your Fireplace must conform with local codes, or in the absence of local codes, with National Fuel Gas Code, ANSI Z223.1 latest edition, or CAN 1 B1-149.1 and .2 Installation Code. (EXCEPTION: Do not derate this appliance for elevations up to 4,500 ft. (1,370mm). Maintain the manifold pressure at 3.5 inches W.C. for Natural Gas and 10 inches W.C. for LP gas.)

### A232 CERTIFIED TO

**ANSI.Z21.88b-1999 / CSA 2.33b - M99  
Vented Gas Fireplace Heaters**

## GAS INLET & MANIFOLD PRESSURES

	NATURAL	LP (Propane)
<b>Input Minimum</b>	<b>4.5" wc</b>	<b>11" wc</b>
<b>Input Maximum</b>	<b>7" wc</b>	<b>13" wc</b>
<b>Manifold Pressure</b>	<b>3.5" wc</b>	<b>10" wc</b>

## PREPARATION



The use of wall paper adjacent to this fireplace is not recommended, as the high heat given off by this fireplace may adversely effect the binders in the adhesive used to apply the wallpaper.

Before beginning, remove the glass door from the fireplace (See page 9). Also check to make sure there is no hidden damage to the fireplace. Take a minute and plan out the gas, vent and electrical supply.

## GAS LINE INSTALLATION



When purging gas line, the front glass must be removed.

The gas pipeline can be brought in through the rear of the fireplace as well as the bottom. Knockouts are provided on the bottom behind the valve to allow for the gas pipe installation and testing of any gas connection. It is most convenient to bring the gas line in from the rear right side of the valve, as this allows fan installation or removal without disconnecting the gas line.



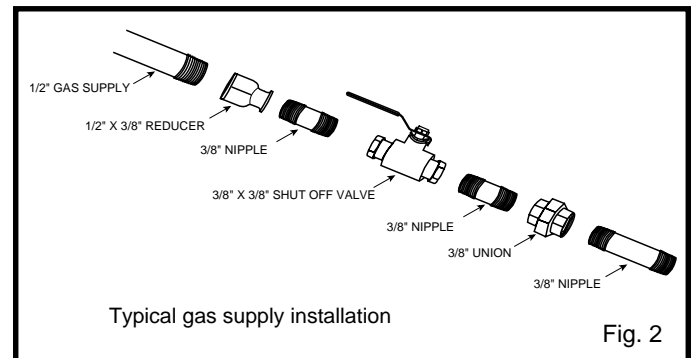
The gas line connection can be made with properly tinned 3/8" copper tubing, 3/8" rigid pipe or an approved flex connector. Since some municipalities have some additional local codes, it is always best to consult your local authority and the CAN/CGA- B149 (.1 or .2) installation code.

**FOR U.S.A Installations** consult the current National Fuel Gas Code, ANSI Z223.1

Always check for gas leaks with a mild soap and water solution. **Do not use an open flame for leak testing.**



The gas control is equipped with a captured screw type pressure test point, therefore it is not necessary to provide a 1/8" test point up stream of the control.



When using copper or flex connector use only approved fittings. **Always provide a union when using black iron pipe** so that gas line can be easily disconnected for burner or fan servicing. See Fig. 2. See gas specification for pressure details and ratings.

The fireplace valve must not be subjected to any test pressures exceeding 1/2 psi. Isolate or disconnect this or any other gas appliance control from the gas line when pressure testing.



**DO NOT USE THIS FIREPLACE IF ANY PART OF THIS FIREPLACE HAS BEEN UNDER WATER. IMMEDIATELY CALL A QUALIFIED SERVICE TECHNICIAN TO INSPECT THE HEATER AND TO REPLACE ANY PART CONTROL WHICH HAS BEEN UNDER WATER.**

## INSTALLATION OF REMOTE SWITCH FOR RN/RP GAS VALVE

Install on/off switch assembly on either the rear right or left side of the A232 Gas Fireplace.

1. Remove the screw at the back of the cabinet top either on the left or the right side of the fireplace.
2. Position switch assembly onto the back of the fireplace, then fasten two screws as shown in Fig. 5.
3. Attach wiring under the clips on the rear casing (Fig. 5) and install wiring through the rear opening of the fireplace before connecting to the valve as shown in Fig. 4.

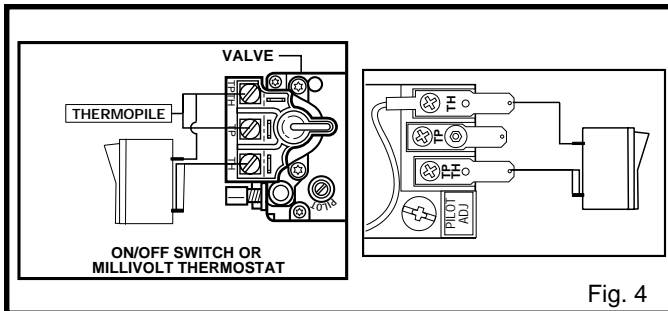


Fig. 4

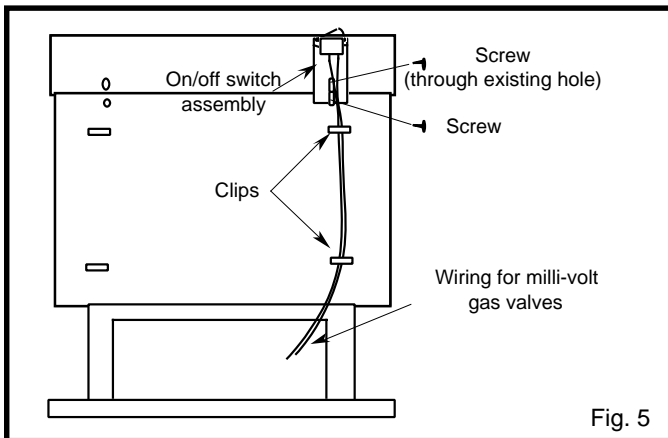


Fig. 5

## OPTIONAL FAN KIT - FK24



***It will be easier to install the fan before connecting the gas line to the fireplace.***

1. Open front access door panel by pulling forward on brass lip.
2. Guide the fan through the opening at the back of the pedestal, with the outlet pointed up and the fan mounting bracket facing the back of the fireplace. The fan mounts over two studs which hold the fan just below the firebox floor. Do not install this fan on the base. Hold the fan in place with the two nuts provided. (Fig. 7)
3. Locate the fan speed control/junction box on screw studs provided on base of the fireplace. Tighten with 3/8" nuts provided.
4. Install thermal sensor element on screw studs located to the right of the gas valve on the burner base.
5. Plug in grounded service cord to a convenient wall receptacle.

THIS FAN ASSEMBLY COMES COMPLETELY WIRED TO ELIMINATE THE NEED FOR ELECTRICIANS. THIS ELECTRICAL DEVICE, WHEN INSTALLED, MUST BE ELECTRICALLY CONNECTED AND GROUNDED IN ACCORDANCE WITH LOCAL CODES. IN THE ABSENCE OF LOCAL CODES, WITH THE CURRENT CSA C22.1 CANADIAN ELECTRICAL CODE.



FOR U.S.A. INSTALLATION: FOLLOW LOCAL CODES AND THE NATIONAL ELECTRICAL CODE ANSI/NFPA NO.70-1984.



***Should this fan require servicing, the power supply must be disconnected. For rewiring of any replacement components see Fig. 6.***

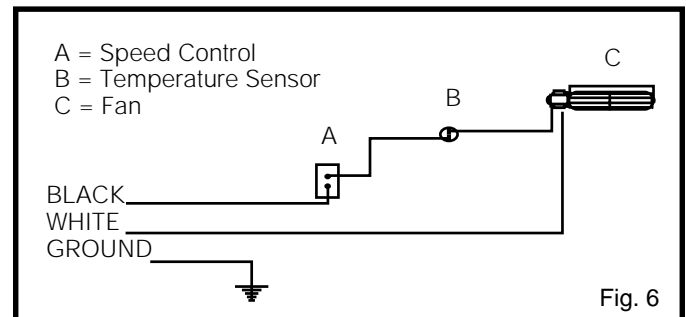


Fig. 6

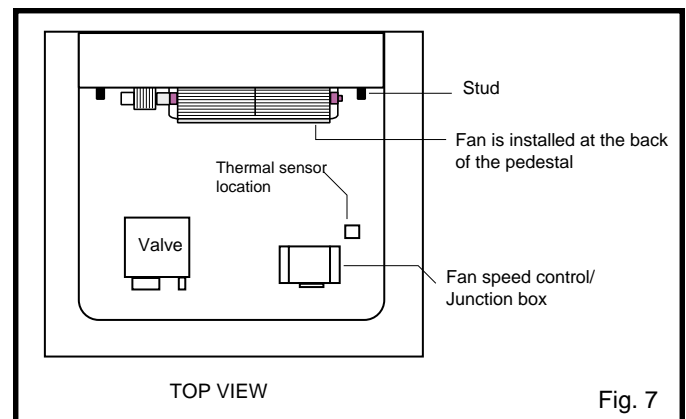


Fig. 7

## VENTING INSTRUCTIONS

### CANADIAN INSTALLATIONS:

The venting system must be installed in accordance with the current CAN/CGA-B149 (.1 or.2) installation code, and the authority having jurisdiction.

### U.S.A. INSTALLATIONS:

The venting system must be installed in accordance with the current National Fuel Gas Code, ANSI Z223.1.

Minimum clearances to combustibles is 1 inch (25 mm) for B Vent (Fig. 13, 15) and 6 inches for single wall vent (Fig. 14).

As with any natural drafted appliances, the vent cap must always extend a minimum of 2' above any structure within a 10' horizontal plane.(Fig. 12)

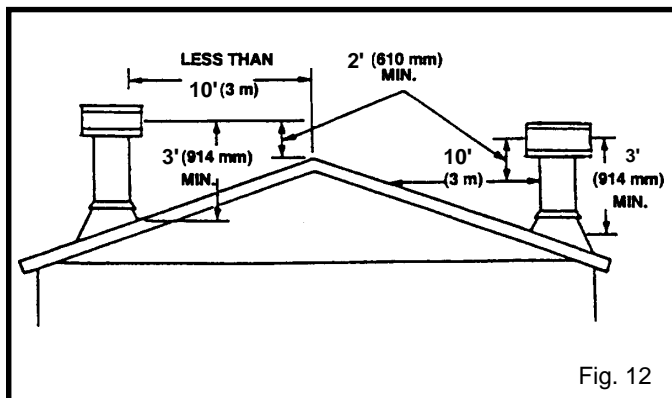


Fig. 12

## VENTING OF THE A232 FIREPLACE

**Note: Please refer to installation instructions supplied by chimney manufacturer prior to commencing installation.**

The A232 may be installed using 4" diameter single wall vent up to an existing masonry chimney.(Fig. 14) This vent should then be connected to a 4" liner running the full height of the chimney, as it is mandatory in most jurisdictions that the chimney be lined.

Another option is 4" "B" vent directly off the fireplace (Fig.13 & 11), going up to the chimney liner or up through the roof if no chimney exists.



**A minimum 12 foot vent height is required to effectively vent this fireplace.**

## COMMON FLUE INSTALLATIONS

In some areas it is possible to vent more than one gas fireplace into the same flue. You must ensure that the flue being shared has the proper capacity to handle both fireplaces. Check installation codes for venting capacity information.

As always it is best to check with the authority having jurisdiction prior to commencement of the installation.

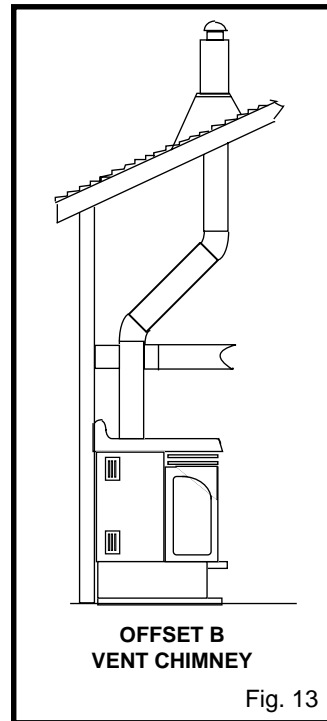


Fig. 13

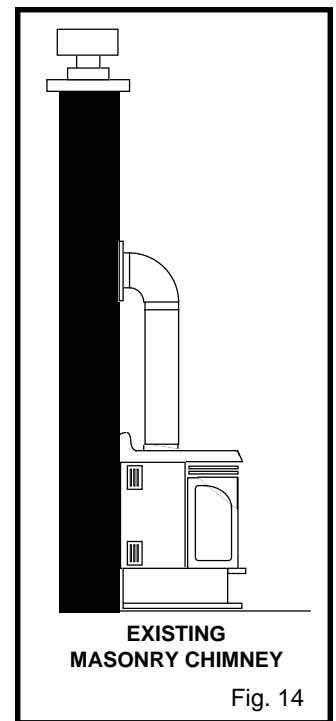


Fig. 14

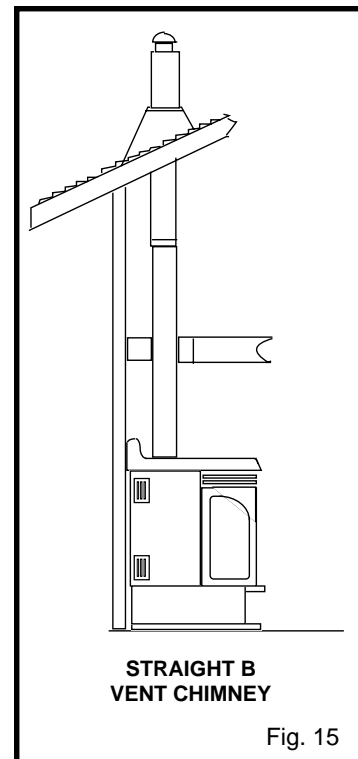


Fig. 15

## Retrofitting To An Existing Brick Chimney

It is strongly recommends installing an approved chimney liner in an existing brick chimney.

This will maximize the potential draft of the chimney and lessen the effects of slow chimney start up.

This is important because many homes (including older renovated ones) have become much tighter with respect to air exchange (a home breathing). An overly tight home will create conditions that will affect proper vent performance.

It may be necessary to install some form of makeup air to the lowest extremities of the home. This will help to ensure the above noted condition will not effect the proper operation of this or any other combustion fireplace within the dwelling.

## VENT SAFETY SYSTEM

This fireplace is equipped with a vent safety shut down switch. This switch is factory installed, wired and tested. Check and make sure the switch and wires are in the proper position. The safety switch is heat activated and wired in series with the pilot system.



**Operation of this fireplace when not connected to a properly installed and maintained venting system or tampering with the vent safety shutoff system can result in carbon monoxide (CO) poisoning and possibly death.**

## PROPER VENT PERFORMANCE

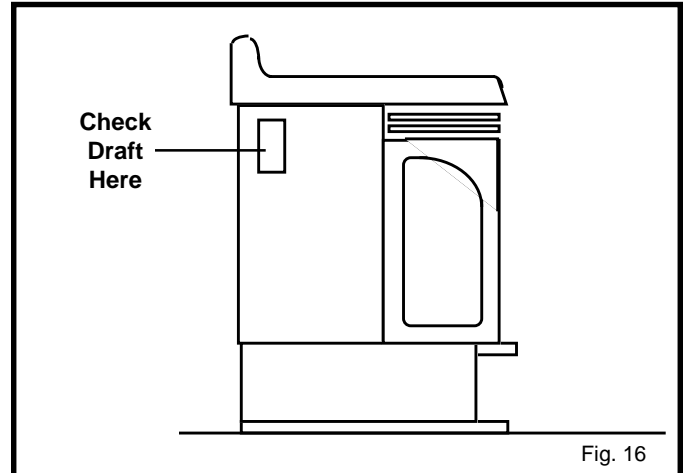


Fig. 16

**A spillage test must be performed prior to leaving the fireplace with the customer. Carry this test out in the following manner.**

- 1) Close all windows and doors in the room; start all exhaust fans in the house and furnace blower.
- 2) Light the fireplace and place in operation on high fire.
- 3) After several minutes, test with smoke match that there is adequate "pull" at the draft hood opening (located on the sides of the fireplace near back. See Figure 16) If the flue is blocked (match being blown back into room) the Vent Safety Switch will automatically shut down the heater.
- 4) Should the heater turn off, wait approximately 10-15 minutes to allow for the switch to reset. Check draft again. If the smoke is not drawn into the draft hood turn the fireplace off and check the cause of lack of draft, consult your dealer for expert advice.

## COMBUSTION AIR

It is very important that an adequate air supply is available when the unit is being operated. Since most homes of today are tightly sealed and insulated, additional make-up air is usually necessary.

This fireplace has been designed to operate by drawing air in from the front and outer perimeters of the fireplace. The air provides combustion air ensuring a clean burning flame, dilution air for proper venting, as well as, the air which the fan circulates over the firebox/heat exchanger system.

Insulating around the fireplace will result in overheating and possible malfunctioning of the circulating fan.



# OPERATING INSTRUCTIONS

## GENERAL GLASS INFORMATION



Only glass approved for use in these products may be used for replacement.

1. The use of substitute glass will void all product warranties.
2. Care must be taken to avoid breakage of the glass.

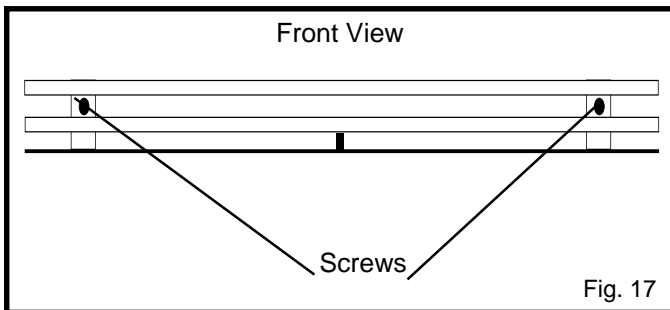


Under no circumstances should this fireplace be operated without the front glass or with a broken glass. Replacement of the glass (with gasket) as supplied by the manufacturer should be done by a licenced qualified service person.

## LOUVRE REMOVAL

### A232

To remove louvres first remove the two (2) screws (Fig. 17) fastening the louvre assembly to the fireplace. Lift the louvre assembly straight out sliding the back guides out of the fireplace body. (To reinstall, reverse).



## TRIM REMOVAL

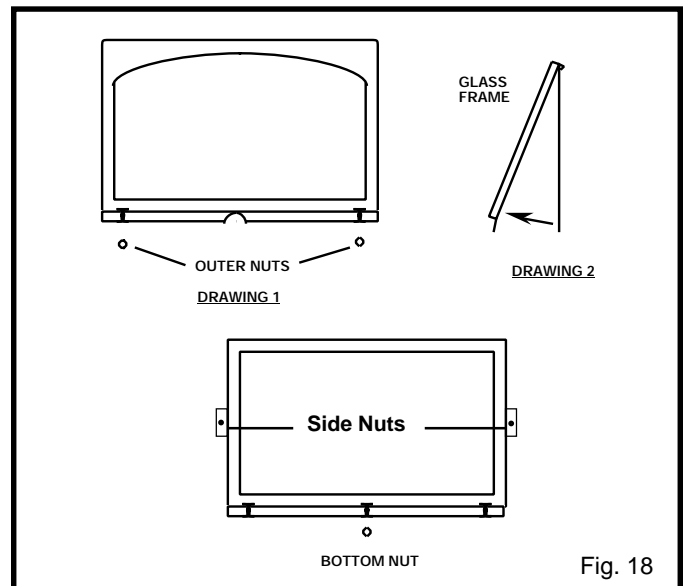
### A232

1. Remove the two (2) outer 3/8" nuts holding the frame window brass trim in place. (Fig. 18)
2. Remove the frame window brass trim by moving it straight forward.

## GLASS REMOVAL

### A232

1. Remove frame window brass trim (See Trim Removal section)
2. Remove remaining bottom 3/8" nut fat the bottom of the frame window.
3. Remove 3/8" nut from each side of the frame window (Fig. 18).
4. Remove frame window by pulling it forward and up.



## GLASS CLEANING

It will be necessary to clean the glass periodically. During start-up condensation, which is normal, forms on the inside of the glass and causes lint, dust and other airborne particles to cling to the glass surface. Also initial paint curing may deposit a slight film on the glass. It is therefore recommended that the glass be cleaned two or three times with a non-ammonia household cleaner and warm water (we recommend gas fireplace glass cleaner). After that the glass should be cleaned two or three times during each heating season depending on the circumstances present.



**Clean glass after first two weeks of operation.**

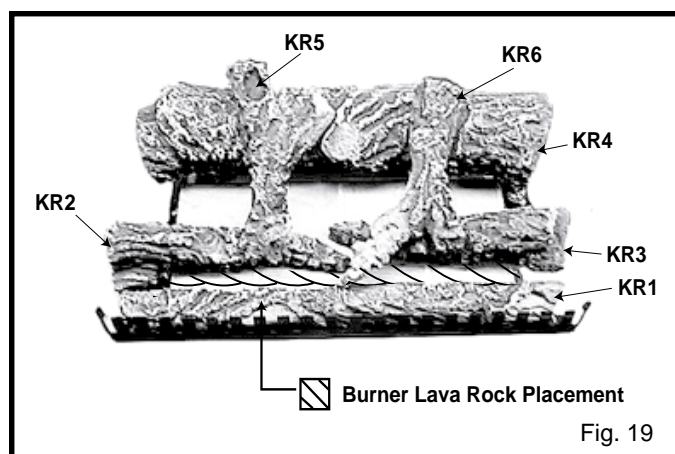
## INSTALLATION OF LOGS & BURNER LAVA ROCK

### A232

1. Remove front glass. (See "Glass Removal" section)
2. Remove logs from packaging.
3. Place rear log (KR4) on rear bracket (ensure log is seated properly, leveled and centered to the unit), so it will not move from side to side and it is firmly positioned on the bracket.
4. Slip front ember log (KR1) down in the front deflector.
5. Place front left log (KR2) on top burner, left side. Use log's bottom holes to locate it into the left bracket log locator studs.
6. Place front right log (KR3) on top of burner, right side. Use log's bottom holes to locate it into the right bracket log locator studs.
7. Place small lava rocks and ember material on top of burner. (See Fig. 19 for proper location).
8. Place top left log (KR5) onto locator notches. Ensure log is secure.
9. Place top right log (KR6) onto locator notches. Ensure log is secure.



**Top logs must be placed properly into notches**



## MAINTENANCE

1. It is important to keep the burner and the burner compartment clean. This must be done periodically, at least once per season. (See Cleaning Procedure).
2. Clean the brass trim using a soft clean cloth, slightly dampened with lemon oil and buff with a soft clean cloth. Do NOT use brass polish or household cleaners as these products will damage the brass trim. Lemon oil can be obtained at supermarkets or hardware stores.
3. The optional FK12 and FK24 Fan requires periodic cleaning. Check the fan and the area around the fan assembly and wipe or vacuum at least once per month during the operating season.
4. Contact your local representative to arrange an annual service program.

## CLEANING PROCEDURE

1. Turn off pilot light at gas valve.
2. Remove front glass.
3. Remove logs.

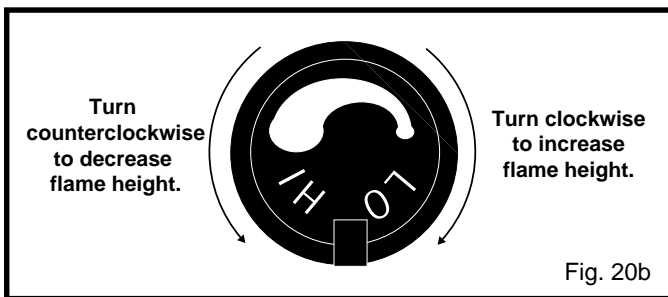
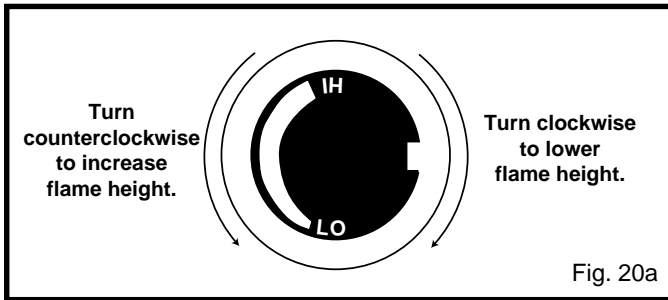


**CAUTION: LOGS MAY BE HOT**

4. Vacuum burner compartment especially around orifice/primary air openings.
5. Reinstall logs.
6. Check pilot and main burner operation.
7. Reinstall front glass.
8. Recheck pilot and main burner operation.
9. Check visually the flame pattern and compare with Fig. 22 or 23.

## FLAME ADJUSTMENT (RN/RP MODELS)

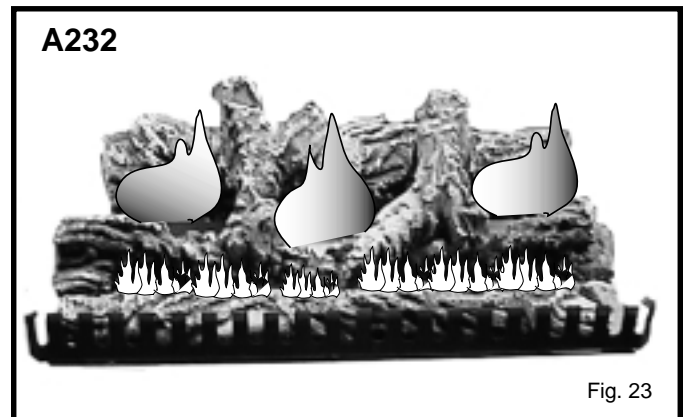
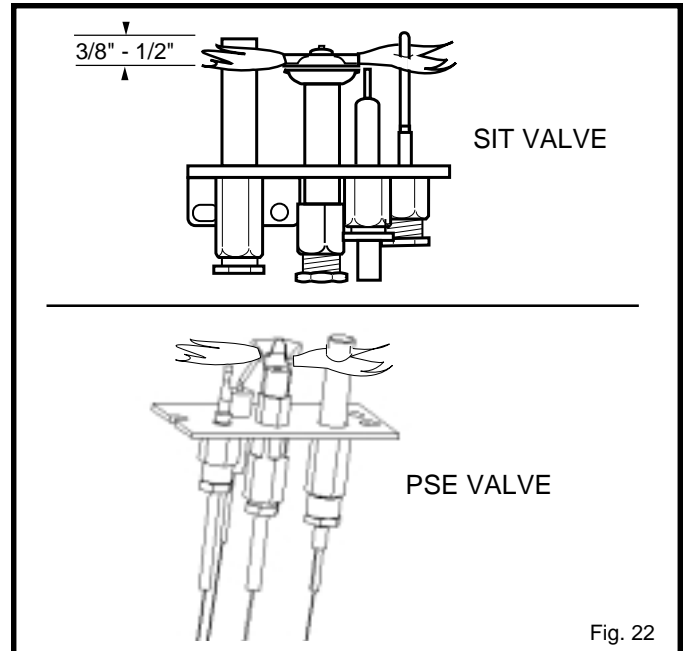
For units equipped with Hi/Lo valves, flame adjustment is accomplished by rotating the Hi/Lo adjustment knob located near the centre of the gas control. (Fig. 20a & b)



## FLAME CHARACTERISTICS



It is important to periodically perform a visual check of the pilot and the burner flames. Compare them to the pictorials illustrated below (Fig. 22, 23). If any of the flames appear abnormal call a service person.



# LIGHTING AND OPERATING INSTRUCTIONS

## FOR YOUR SAFETY READ BEFORE LIGHTING

**WARNING:** If you do not follow these instructions exactly, a fire or explosion may result causing property damage, personal injury or loss of life.

- A. This fireplace has a pilot which must be lit manually. When lighting the pilot follow these instructions exactly.
- B. BEFORE LIGHTING smell all around the fireplace area for gas. Be sure to smell next to the floor because some gas is heavier than air and will settle on the floor.

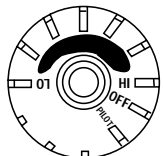
### WHAT TO DO IF YOU SMELL GAS

- Do not try to light any fireplace.
- Do not touch any electric switch
- Do not use any phone in your building
- Immediately call your gas supplier from a neighbor's phone. Follow the gas supplier's instructions.
- If you cannot reach your gas supplier, call the Fire Department

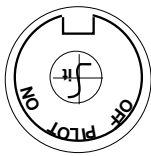
- C. Use only your hand to push in or turn the gas control knob. Never use tools. If the knob will not push in or turn by hand, do not try to repair it, call a qualified service technician. Applying force or any attempted repair may result in a fire or explosion.
- D. Do not use this fireplace if any part has been under water. Immediately call a qualified service technician to inspect the fireplace and to replace any part of the control system and any gas control which has been under water.

## LIGHTING INSTRUCTIONS

1. STOP! Read the safety information above on this label
2. Turn off all electrical power to the fireplace.
3. For MN/MP/TN/TP appliances ONLY, go on to Step 4. For RN/RP appliances turn the On/Off switch to off position or set thermostat to lowest level.
4. Open control access panel.
5. Push in gas control knob slightly and turn clockwise to "OFF". Do not force.



EURO SIT



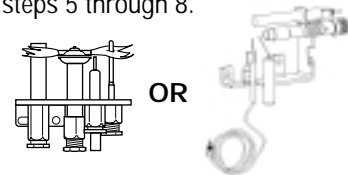
SIT NOVA



HONEYWELL

6. Wait five (5) minutes to clear out any gas. Then smell for gas, including near the floor. If you smell gas, **STOP!** Follow "B" in the safety information above on this label. If you don't smell gas, go to the next step.
7. Remove glass door before lighting pilot. (See Glass Frame Removal in manual).
8. Visibly locate pilot by the main burner.
9. Turn knob on gas control counterclockwise to "PILOT".

10. Push the control knob all the way in and hold. Immediately light the pilot by repeatedly depressing the piezo spark ignitor until a flame appears. Continue to hold the control knob in for about one (1) minute after the pilot is lit. Release knob and it will pop back up. Pilot should remain lit. If it goes out, repeat steps 5 through 8.



- If knob does not pop up when released, stop and immediately call your service technician or gas supplier.
  - If after several tries, the pilot will not stay lit, turn the gas control knob to "OFF" and call your service technician or gas supplier.
11. Replace glass door.
  12. Turn gas control knob to "On" position.
  13. For Rn/RP appliances turn the On/Off switch to "On" position or set thermostat to desired setting.
  14. Turn on all electrical power to the fireplace.

## TO TURN OFF GAS TO FIREPLACE

1. Turn the On/Off switch to Off position or set the thermostat to lowest setting.
2. Turn off all electric power to the fireplace if service is to be performed.
3. Open control access panel.
4. Push in gas control knob slightly and turn clockwise to "OFF". Do not force.
5. Close control access panel.

# TROUBLE SHOOTING THE GAS CONTROL SYSTEM

## SIT NOVA 820 MILLIVOLT VALVE

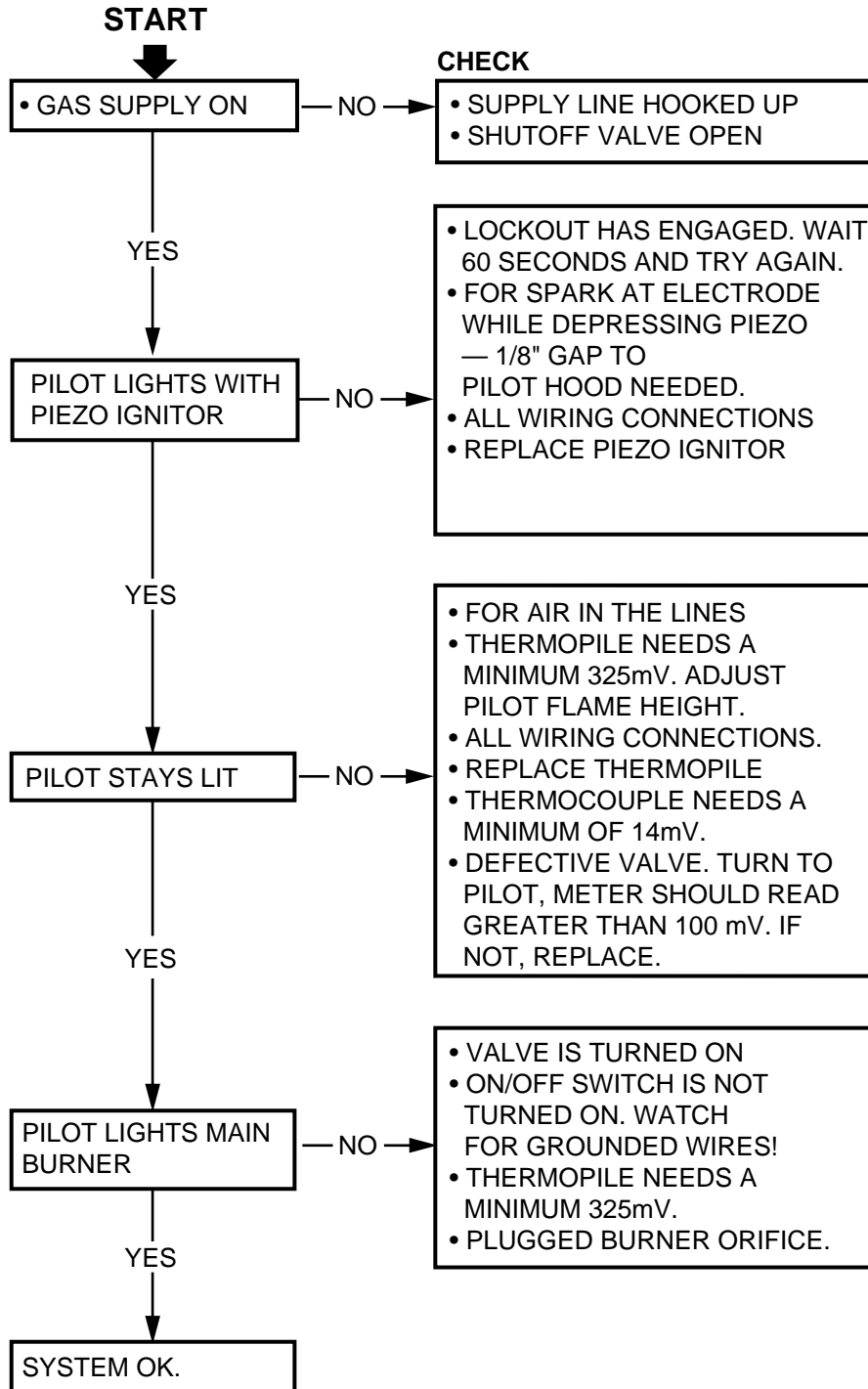
**Note:** Before trouble shooting the gas control system, be sure external gas shut off is in the "On" position.

**WARNING:** BEFORE DOING ANY GAS CONTROL SERVICE WORK, REMOVE GLASS FRONT.

SYMPTOM	POSSIBLE CAUSES	CORRECTIVE ACTION
1. Spark ignitor will not light	A. Defective or misaligned electrode at pilot.	Using a match, light pilot. If pilot lights, turn off pilot and push the red button again. If pilot will not light - check gap at electrode and pilot-should be 1/8" to have a strong spark.
	B. Defective ignitor (Push Button)	Push Piezo Ignitor Button. Check for spark at electrode and pilot. If no spark to pilot, and electrode wire is properly connected, replace ignitor.
2. Pilot will not stay lit after carefully following lighting instructions.	A. Defective pilot generator (thermocouple), remote wall switch.	1. Check pilot flame. Must impinge on thermocouple/thermopile. Note: this pilot burner assembly utilizes both a thermocouple and a thermopile. The thermocouple operates the main valve operation (On and Off). Clean and or adjust pilot for maximum flame impingement on thermopile and thermocouple.
	B. Defective automatic valve operator.	Turn valve knob to "Pilot". Maintain flow to pilot; millivolt meter should read greater than 10 mV. If the reading is okay and the pilot does not stay on, replace the gas valve. Note: An interrupter block (not supplied) must be used to conduct this test.
3. Pilot burning, no gas to burner, Valve knob "ON", Wall Switch "ON".	A. Wall switch or wires defective.	Check wall switch and wires for proper connections. Jumper wire across terminals at wall switch, if burner comes on, replace defective wall switch. If okay, jumper wires across wall switch wires at valve, if burner comes on, wires are faulty or connections are bad.
	B. Thermopile may not be generating sufficient millivoltage.	1. Be sure wire connections from thermopile at gas valve terminals are tight and thermopile is fully inserted into pilot bracket. 2. One of the wall switch wires may be grounded. Remove wall switch wires from valve terminals if pilot now stays lit, trace wall switch wiring for ground. May be grounded to fireplace or gas supply. 3. Check thermopile with millivolt meter. Take reading at thermopile terminals of gas valve. Should read 250-300 millivolts (minimum 150) while holding valve knob depressed in pilot position and wall switch "Off". Replace faulty thermopile if reading is below specified minimum.
	C. Plugged burner orifice.	Check burner orifices for debris and remove.
	D. Defective automatic valve operator.	Turn valve knob to "On", place wall switch to "On" millivolt meter should read greater than 100 mV. If the reading is okay and the burner does not come on, replace the gas valve.
4. Frequent pilot flare outage problem.	A. Pilot flame may be too low or blowing (high) causing the pilot safety to drop out.	Clean and/or adjust pilot flame for maximum flame impingement on thermopile and thermocouple.
	B. Vent safety shutdown.	Check the vent system for blockage. Check all connections on vent safety switch.

# TROUBLE SHOOTING THE GAS CONTROL SYSTEM

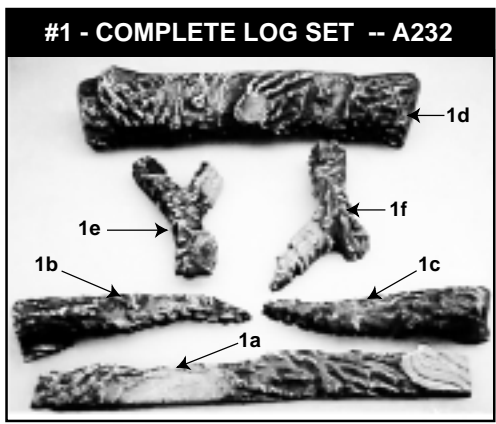
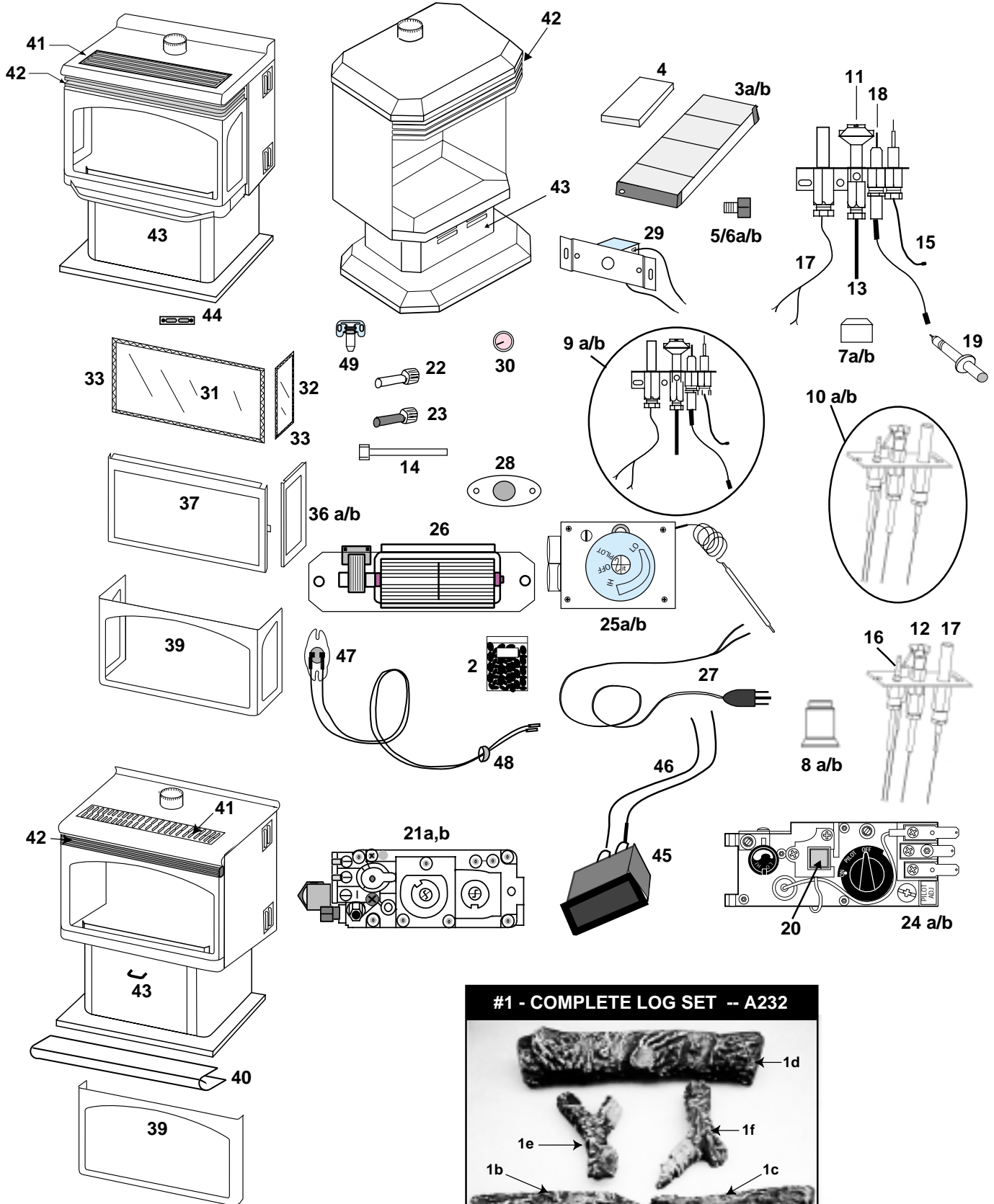
## HONEYWELL MILLIVOLT VALVE



# REPLACEMENT PARTS LIST

	DESCRIPTION	A232
1.	Log Set Complete	10000160
1a.	Log Ember Front	KR1
1b.	Log Front Left	KR2
1c.	Log Front Right	KR3
1d.	Log Rear	KR4
1e.	Log Top Left	KR5
1f.	Log Top Right	KR6
2.	Burner Lava Rock (Package)	57897
3a.	Burner with Tiles Nat.	10000198
3b.	Burner with Tiles Prop.	57904
4.	Ceramic Tile (single)	57803
5a.	Orifice Front Nat.	SEE RATING PLATE FOR ORIFICE SIZE
5b.	Orifice Front Prop.	SEE RATING PLATE FOR ORIFICE SIZE
6a.	Orifice Main Nat.	SEE RATING PLATE FOR ORIFICE SIZE
6b.	Orifice Main Prop.	SEE RATING PLATE FOR ORIFICE SIZE
7a.	Orifice Pilot SIT Nat.	54273
7b.	Orifice Pilot SIT Prop.	54272
8a.	Orifice Pilot PSE Nat.	10001822
8b.	Orifice Pilot PSE Prop.	10001823
9a.	Pilot Assembly SIT Nat.	54219
9b.	Pilot Assembly SIT Prop.	54221
10a.	Pilot Assembly PSE Nat.	10001739
10b.	Pilot Assembly PSE Prop.	10001740
11.	Pilot SIT	10001295
12.	Pilot w/ignitor and cable PSE	10001824
13.	Pilot Tubing w/fittings	53211
14.	Manifold Tubing w/fittings	57318
15.	Thermocouple with Interrupter SIT	54912
16.	Thermocouple with Interrupter PSE	10001828
17.	Thermopile	53374
18.	Electrode Ignitor w/cable SIT	52465
19.	Ignitor Piezo SIT	52464
20.	Ignitor Piezo Honeywell	2000062
21a.	Valve SIT 820 Nat.	52677
21b.	Valve SIT 820 Prop.	52678
22.	Extension Knob Hi/Lo (RN/RP)	10000165
23.	Extension Knob (On/Off) SIT (RN/RP)	10000166
24a.	Valve Honeywell Nat.	10001782
24b.	Valve Honeywell Prop.	10001759
25a.	Valve Eurosit 630 Nat.	51844
25b.	Valve Eurosit 630 Prop.	51845
26.	Fan with Bracket	54103
27.	Electrical Cord (6ft.)	51865
28.	Fan Temperature Sensor	51704
29.	Speed Control	51738
30.	Speed Control Knob	51882
31.	Glass with Gasket -Front	52035
32.	Glass with Gasket - Side	52032
33.	Gasket Glass	57316
36a.	Frame Window - Left Side	55110
36b.	Frame Window - Right Side	55111
37.	Frame Window - Front	55109
39.	Trim Frame Window (PB)	52027
41.	Top Louvre	53977
42.	Front Louvre Assembly	57907
43.	Access Door with Handle	52052
44.	Latch	52057
45.	Remote Switch	53606
46.	Remote Wire Harness with Terminals	57265
47.	Vent Safety Switch	51866
48.	Vent Safety Switch Wiring Harness	54849

# REPLACEMENT PARTS





# ***OPTIONS***

## **REMOTE CONTROL**

For units with RN/RP valves

- MRC1 - On/Off Button Remote Control
- MRC2 - Temperature Control Remote
- MRC3 - Temperature Control w/digital display &  
24 hour programmable clock
- IMT - Wall Mounted Thermostat

# LIMITED WARRANTY & EXTENDED LIFE TIME PROTECTION

## For Gas Appliance Products\*

### BASIC WARRANTY:

The CFM Majestic, Inc.™ (hereinafter referred to collectively as the "Company") warrants that your new Vermont Castings Gas Appliance is free from manufacturing and material defects for a period of one year from date of installation, subject to the following conditions and limitations.

### EXTENDED LIFE TIME WARRANTY:

The heat exchanger, combustion chamber and ceramic burner parts of every \*CFM Majestic, Inc. product are warranted for life to the original owner, subject to proof of purchase and the following conditions and limitations:

1. This new **CFM Majestic, Inc.** product must be installed by a competent, authorized service contractor. It must be installed and operated at all times in accordance with the Installation and Operating instructions furnished with the product. Any alteration, willful abuse, accident, or misuse of the product shall nullify this warranty.
2. This warranty is non-transferrable, and is made to the original owner, provided that the purchase was made through an authorized supplier of the Company.
3. This warranty is limited to the repair or replacement of part(s) found to be defective in material or workmanship, provided that such part(s) have been subjected to normal conditions of use and service, after said defect is confirmed by the Company's inspection.
4. The Company may, at its discretion, fully discharge all obligations with respect to this warranty by refunding the wholesale price of the defective part(s).
5. Any installation, labour, construction, transportation, or other related costs/expenses arising from defective part(s), repair, replacement, or otherwise of same, will not be covered by this warranty, nor shall the Company assume responsibility for same. Further, the Company will not be responsible for any incidental, indirect, or consequential damages, except as provided by law.
6. All other warranties - expressed or implied - with respect to the product, its components and accessories, or any obligations/liabilities on the part of the Company are hereby expressly excluded.
7. The Company neither assumes, nor authorizes any third party to assume, on its behalf, any other liabilities with respect to the sale of this **CFM Majestic, Inc.** product.
8. The warranties as outlined within this document do not apply to chimney components or other non **CFM Majestic, Inc.** accessories used in conjunction with the installation of this product.
9. **The Company will not be responsible for . . .**
  - a) Down drafts or spillage caused by environmental conditions such as near-by trees, buildings, roof tops, hills, or mountains.
  - b) Inadequate ventilation or negative air pressure caused by mechanical systems such as furnaces, fans, clothes dryers, etc.
10. **This warranty is void if:**
  - a) The fireplace has been operated in atmospheres contaminated by chlorine, fluorine or other damaging chemicals.
  - b) The fireplace is subjected to prolonged periods of dampness or condensation.
  - c) Any damage to the fireplace, combustion chamber, heat exchanger or other components due to water, or weather damage which is the result of, but not limited to, improper chimney/venting installation.
  - d) Any alteration, willful abuse, accident, or misuse of the product.

### GLASS DOORS & BRASS PLATED PARTS

Glass doors are not warranted for breakage due to misuse or accident. Brass parts should be cleaned with lemon oil **only**. Brass cleaners **cannot** be used. Mortar mix and masonry cleaners may corrode the brass finish. The Company will not be responsible for, nor will it warrant any brass parts which are damaged by external chemicals or down draft conditions.

### IF WARRANTY SERVICE IS NEEDED . . .

- 1) Contact your supplier. Make sure you have your warranty, your sales receipt, and the model/serial number of your **CFM Majestic, Inc. product**.
- 2) **DO NOT ATTEMPT TO DO ANY SERVICE WORK YOURSELF.**

### GARANTIE DE BASE:

The CFM Majestic, Inc. (aux présentes nommée la "Société") garantit votre nouveau foyer au gaz CFM Majestic, Inc. contre tous défauts de fabrication et de matières premières pour une période d'un an à compter de la date d'installation, sujet aux conditions et limitations suivantes.

### GARANTIE A VIE PROLONGEE:

Les pièces de l'échangeur de chaleur, de la chambre à combustion et du brûleur en céramique de tout produit \*CFM Majestic, Inc. sont garanties pour la vie de l'acheteur d'origine, le tout sujet à une preuve d'achat et aux conditions et limitations suivantes:

1. Ce nouveau produit **CFM Majestic, Inc.** doit être installé par un entrepreneur de service autorisé et compétent. Il doit être installé et utilisé en tout temps selon les instructions d'installation et de fonctionnement fournies avec le produit. Toute altération, abus volontaire, accident ou mauvais usage du produit annulera cette garantie.
2. Cette garantie n'est pas transférable et est offerte à l'acheteur au détail d'origine, à condition que l'achat soit effectué par l'entremise d'un détaillant autorisé de la Société.
3. Cette garantie est limitée à la réparation ou au remplacement de(des) pièce(s) trouvée(s) défectueuse(s) en matières premières ou main-d'oeuvre, à condition que lesdites pièces aient été sujettes aux conditions normales d'usage et de service, après que ledit défaut a été confirmé par une inspection par la Société.
4. La Société peut, à sa discrétion, se décharger entièrement de toutes obligations se rapportant à cette garantie en remboursant le prix de gros de la(des) pièce(s) défectueuse(s).
5. Tous les frais/dépenses d'installation, de main-d'oeuvre, de construction, de transport ou autres causés par une (des) pièce(s) défectueuse(s), une réparation, un remplacement ou autre, ne seront pas couverts sous cette garantie, et la Société n'assume aucune responsabilité pour ceux-ci. De plus, la Société ne pourra être tenue responsable pour tous dommages fortuits ou indirects sauf la ou prévu par la loi.
6. Toutes autres garanties, exprimées ou sous-entendues, en ce qui a trait au produit, ses composants et accessoires, ou toutes obligations/responsabilités de la part de la Société sont aux présentes expressément exclues.
7. La Société n'assume et n'autorise personne à assumer, en son nom, toutes responsabilités en ce qui a trait à la vente de ce produit **CFM Majestic, Inc.**
8. Les garanties, telles que décrites dans ce document, ne s'appliquent pas aux composants de cheminée ou aux autres accessoires non **CFM Majestic, Inc.** utilisés conjointement pour l'installation de ce produit.
9. **La Société n'encourra aucune responsabilité pour . . .**
  - a) Les refoulements de cheminées ou débordements causés par les conditions environnementales comme par les arbres, les édifices, les toits, les côtes ou les montagnes adjacents.
  - b) Une ventilation inadéquate ou une pression d'air négative causée par des systèmes mécaniques comme les fournaies, les ventilateurs, les sècheuses, etc.
10. **Cette garantie est nulle si:**
  - a) Le foyer a été utilisé dans une atmosphère contaminée par du chlore, du fluor ou tous autres produits chimiques.
  - b) Le foyer est assujéti à de longues périodes d'humidité ou de condensation.
  - c) Des dommages sont causés au foyer, à la chambre de combustion, à l'échangeur de chaleur ou aux autres composants par de l'eau ou par la température qui est le résultat mais sans y être limité, d'une mauvaise installation de cheminée/ventilation.
  - d) Toute altération, abus volontaire, accident ou mauvais usage du produit annulera cette garantie.

### PORTES EN VERRE & PIÈCES PLAQUÉES LAITON

Les portes en verre ne sont pas garanties contre le bris causé par un mauvais usage ou un accident.

Les pièces en laiton devraient être nettoyées qu'avec de l'essence de citron. Les nettoyeurs de laiton ne peuvent pas être utilisés. La Société ne sera pas responsable pour, et ne garantit pas les pièces en laiton qui sont endommagées par des conditions chimiques externes ou de refoulement.

### SI UN SERVICE SOUS GARANTIE EST REQUIS . . .

1. Communiquez avec votre détaillant. Assurez-vous que vous avez votre garantie, votre reçu de caisse ainsi que le numéro de modèle/série de votre produit **CFM Majestic, Inc.**
2. **NE TENTEZ PAS D'EFFECTUER DES REPARATIONS VOUS-MEME.**

CFM Majestic, Inc.

410 Admiral Blvd. • Mississauga, Ontario, Canada L5T 2N6 • 905-670-7885  
www.vermontcastings.com

© Copyright  
CFM Majestic, Inc.  
10002734 6/00

## Free Manuals Download Website

<http://myh66.com>

<http://usermanuals.us>

<http://www.somanuals.com>

<http://www.4manuals.cc>

<http://www.manual-lib.com>

<http://www.404manual.com>

<http://www.luxmanual.com>

<http://aubethermostatmanual.com>

Golf course search by state

<http://golfingnear.com>

Email search by domain

<http://emailbydomain.com>

Auto manuals search

<http://auto.somanuals.com>

TV manuals search

<http://tv.somanuals.com>