



# Assembly and Owner's Manual VC3624GS Stainless Steel Gas Smoker



## DANGER

If you smell gas:

1. Shut off gas to the appliance.
2. Extinguish any open flames.
3. Open door.
4. If odor continues, keep away from the appliance and immediately call your fire department.

Failure to follow these instructions could result in fire, explosion or burn hazard, which could cause property damage, personal injury or death.

## DANGER

1. Never operate this appliance unattended.
2. Never operate this appliance within 10 feet (3.05m) of any other gas cylinder.
3. Never operate this appliance within 10 feet (3.05m) of any flammable liquid.

Failure to follow these instructions could result in fire, explosion or burn hazard, which could cause property damage, personal injury or death.



**ASSEMBLER / INSTALLER:** Leave these instructions with the consumer.  
**CONSUMER / USER:** This instruction manual contains important information necessary for the proper assembly and safe use of the appliance. Read and follow all warnings and instructions before assembling and using the appliance. Follow all warnings and instructions when using the appliance. Keep this manual for future reference.



# Table of Contents

Important Warnings.....	1
Assembly	
Identifying the Parts.....	3
Attach the Legs.....	5
Attach the Control Panel.....	6
Attach the Burner Chamber.....	7
Attach the Carry Handles.....	8
Assemble the Door Handle.....	9
Assemble the Rack Supports.....	10
Install the Internal Components.....	11
Battery Installation.....	12
Connecting the LP Cylinder.....	13
Operating Instructions	
Adding Water.....	15
Adding Wood.....	16
Lighting Procedure.....	17
Shut-Down.....	18
Cooking Instructions.....	19
Temperature Chart.....	20
After Use Safety and Maintenance.....	21
Warranty.....	22

# READ ALL INSTRUCTIONS AND WARNINGS!

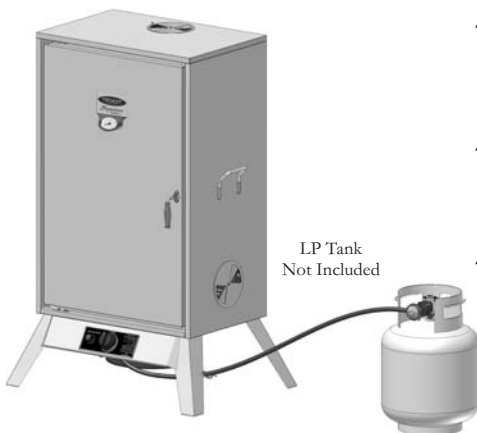
YOUR SAFETY IS VERY IMPORTANT - FAILURE TO FOLLOW PROPER PROCEDURES AND SAFEGUARDS MAY RESULT IN SERIOUS PERSONAL INJURY OR PROPERTY DAMAGE.

## **WARNING**

- ▲ DO NOT use this smoker in a manner other than its intended purpose. It is NOT intended for commercial use. It is NOT intended to be installed or used in or on a recreational vehicle and/or boats. The smoker is not to be used as a heater.
- ▲ Keep a fire extinguisher accessible at all times.
- ▲ The use of alcohol, prescription or nonprescription drugs may impair the user's ability to properly assemble or safely operate the smoker.
- ▲ This smoker is for outdoor use only, in a well-ventilated area. DO NOT operate the smoker indoors, in a garage, or in any other enclosed area or under overhead construction.
- ▲ Use caution when assembling and operating the smoker to avoid cuts and scrapes from rough or sharp edges.
- ▲ Use caution when lifting and moving the smoker to avoid strains or back injury. 2 people are recommended to lift or move the smoker. DO NOT move the smoker while it is in use.
- ▲ DO NOT operate the smoker near or under flammable or combustible materials such as decks, porches, or carports. A minimum clearance range of 36 inches (1m) is recommended. DO NOT operate the smoker under overhead construction.
- ▲ Operate the smoker only on a stable, level, non-flammable surface such as asphalt, concrete or solid ground. DO NOT operate the smoker on flammable material such as carpet or a wood deck.
- ▲ DO NOT store the smoker near gasoline or other combustible liquids or where combustible vapors may be present.
- ▲ DO NOT store or operate this smoker in an area accessible to children or pets. Store the smoker in a dry, protected location.
- ▲ DO NOT leave the smoker unattended while in use. Operate the smoker with close supervision.
- ▲ DO NOT allow anyone to conduct activities around the smoker during or following use until it has cooled. It is hot during operation and remains hot for a period of time following use.
- ▲ DO NOT leave hot ashes unattended until the smoker cools completely.
- ▲ DO NOT move the smoker while it is in use. Allow the smoker to cool completely before moving, storing, or covering.
- ▲ This smoker becomes extremely hot - allow the smoker to cool completely before handling. If you must handle the smoker while it is hot, ALWAYS wear protective oven mitts or heat resistant gloves when handling the smoker or its components.
- ▲ NEVER use gasoline or other highly volatile fluids as a starter. They can explode.
- ▲ The water bowl and wood chip box should not be moved while the smoker is operating or until the smoker has cooled sufficiently. These contain hot ashes and liquids that may cause serious injury. If you must move these components, ALWAYS wear protective oven mitts or heat resistant gloves.
- ▲ Dispose of cold ashes by wrapping them in heavy duty aluminum foil and putting them in a noncombustible container. Be sure there are no other combustible materials in or near the container.
- ▲ If you must dispose of the ashes in less time than it takes for them to completely cool, remove the ashes from the smoker, keeping them in heavy duty foil, and soak them completely with water before disposing of them in a noncombustible container.

# **! WARNING**

- ▲ DO NOT obstruct the flow of combustion air and/or ventilation air for the smoker.
- ▲ Use caution when opening the door of the smoker while in operation. Keep hands, face, and body safe from hot steam or flare-ups. Protect your nose and mouth from smoke inhalation.
- ▲ DO NOT wear loose clothing while operating the smoker. Tie back long hair while operating the smoker. ALWAYS wear fully-covering shoes while operating the smoker.
- ▲ Allow the smoker and its components to cool completely before conducting any routine cleaning or maintenance.
- ▲ NEVER use glassware, plastic, or ceramic cookware on or in your smoker.
- ▲ When using flavoring wood, add a sufficient amount prior to operation to avoid having to add wood while operating. Adding wood while operating may splash hot water and cause serious injury.
- ▲ Use of accessories not intended for this smoker is not recommended and may lead to injury or property damage.
- ▲ An LP cylinder not connected for use should not be stored in the vicinity of the smoker or any other appliance. DO NOT store spare LP cylinders within 10 feet of the smoker. LP cylinders must be stored outdoors, out of reach of children. DO NOT store LP cylinders in a building, garage, or any other enclosed area.
- ▲ DO NOT store LP gas cylinders inside or on top of the smoker. Improper storage of cylinders could lead to explosion, fire, and/or personal injury. Cylinders are to be stored outdoors, out of reach of children and must not be stored in a building, garage, or any other enclosed area.
- ▲ While the smoker is not in use, the gas must be turned off at the supply cylinder.
- ▲ LP gasses are heavier than air, tend to pool and collect in low-lying areas, are easily ignited and are highly flammable. Proper care and caution should be employed when dealing with any such fuels.
- ▲ The smoker should be shut off and all supply valves (on piping or on fuel cylinders) should be closed in the event that the odor of unburned gas is detected. Do not attempt to use the unit until any gas leaks are fixed and/or the source of the unburned gas odor is accounted for.
- ▲ Do not use the smoker if the burner fails to light or fails to remain lit. Under such conditions, gas should be shut off and fuel cylinders should be disconnected.



- ▲ Use under high wind conditions that result in poor burner operation such as blowing out and flaring should be avoided. If repositioning the unit does not improve operation under such wind conditions, the unit should be shut off.
- ▲ All installations are to conform to local codes. In the absence of local codes, installation should conform to the National Fuel Gas Code, ANSI Z223.1/NFPA 54, ANSI/NFPA 58, or CSA B149.1 Natural Gas and Propane Installation Code.
- ▲ **The smoker should be installed with the hose regulator assembly extended at full length of hose directly (24" maximum [0.6m]) away from the burner. When so configured, placement results in maximum tank to smoker distance. When the smoker is operated, the hose/regulator and gas tank should be on a line perpendicular to wind direction. Placing tank closer than 24" (0.6m) to the smoker can overheat the tank and cause release of propane through relief openings and can result in tank fire or explosion.**

USE CAUTION AND COMMON SENSE WHEN OPERATING YOUR SMOKER.  
READ ALL INSTRUCTIONS, WARNINGS AND SAFEGUARDS BEFORE  
ASSEMBLING AND OPERATING YOUR SMOKER.

## **SAVE THESE INSTRUCTIONS**

# Assembly Step 1 - Identifying the parts

Check your package contents for these parts. If you are missing any parts, or if any parts are damaged, please call our toll-free customer service line to order parts.

**DO NOT RETURN YOUR SMOKER TO THE RETAILER - CALL US FIRST!**

**1-800-668-5323**

## Hardware Bags:

**(A)** 1/4-20 x 5/8" SS Bolts (16)  
*part no. AZ001173*

**(A1)** 1/4-20 x 1/2" Bolts (3)  
*part no. AZ001172*

**(B)** 10-24 x 5/8" SS Bolts (3)  
10-24 Lock SS Washers (3)  
10-24 SS Nuts (3)  
*part no. AZ001174*

**(C)** 1/4-20 Nuts (4)  
*part no. AZ001196*

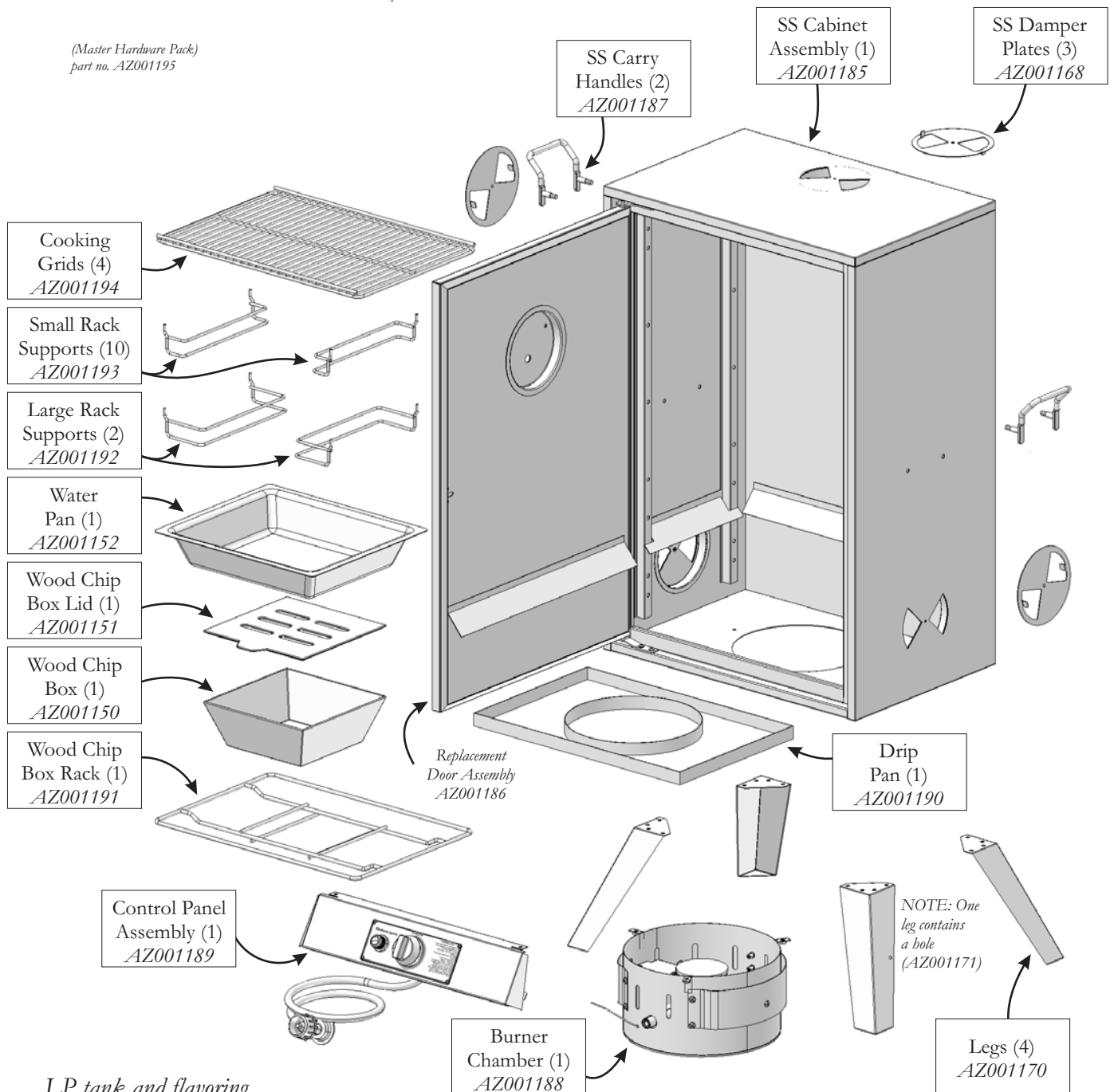
**(D)** 1/4-20 x 3/8" Bolts (2)  
1/4-20 Lock Washers (2)  
Handle Washer (1)  
Handle Mounting Plate (1)  
Handle Spring (1)  
(Door Handle)  
*part no. AZ001197*

**(E)** Heat Indicator Nameplate (1)  
Push Nuts (2)  
*part no. AZ001142*

**(F)** HVR S-Hook (1) and  
Zip Tie (1)  
*part no. AZ001143*

**(G)** "AAA" Battery (1)  
*part no. AZ001198*

*(Master Hardware Pack)  
part no. AZ001195*

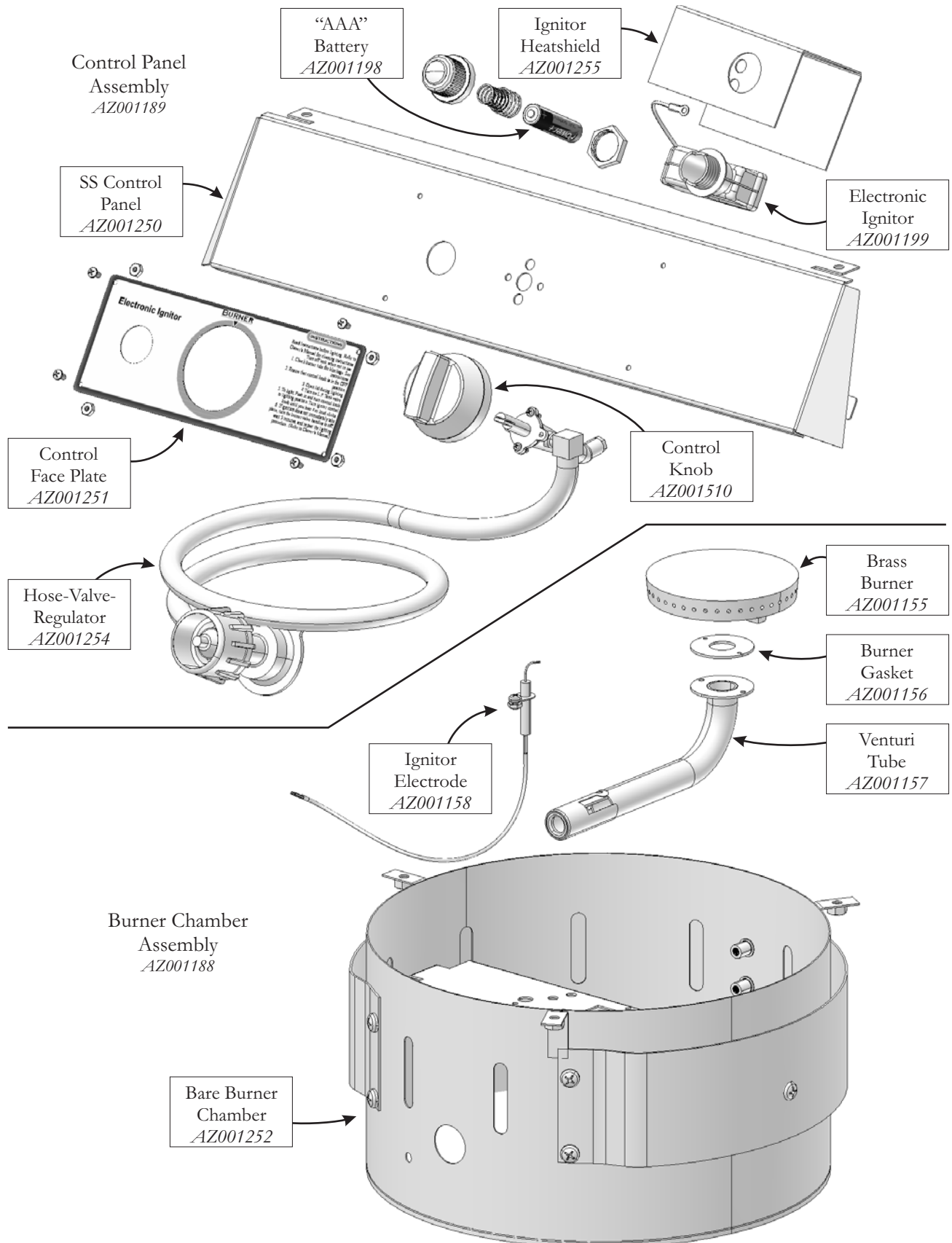


*LP tank and flavoring hardwood not included.*

# Identifying the Parts - Continued

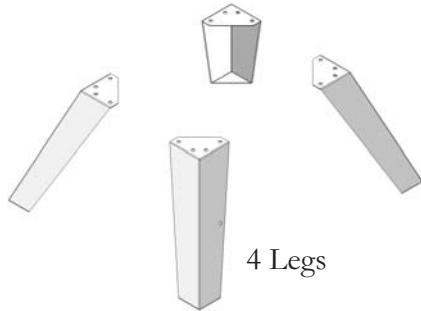
Check your package contents for these parts. If you are missing any parts, or if any parts are damaged, please call our toll-free customer service line to order parts.  
**DO NOT RETURN YOUR SMOKER TO THE RETAILER - CALL US FIRST!**

**1-800-668-5323**

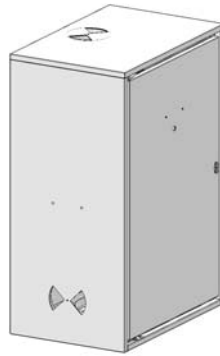


# Assembly Step 2

## Locate these parts:



Cabinet  
Assembly



## Tools needed:



Phillips Head  
Screwdriver

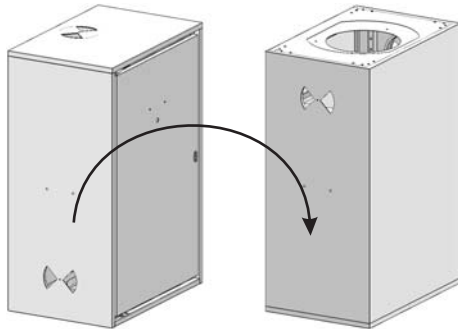
## Hardware:



1/4-20 x 5/8" Bolts  
16 Required

HARDWARE BAG

A



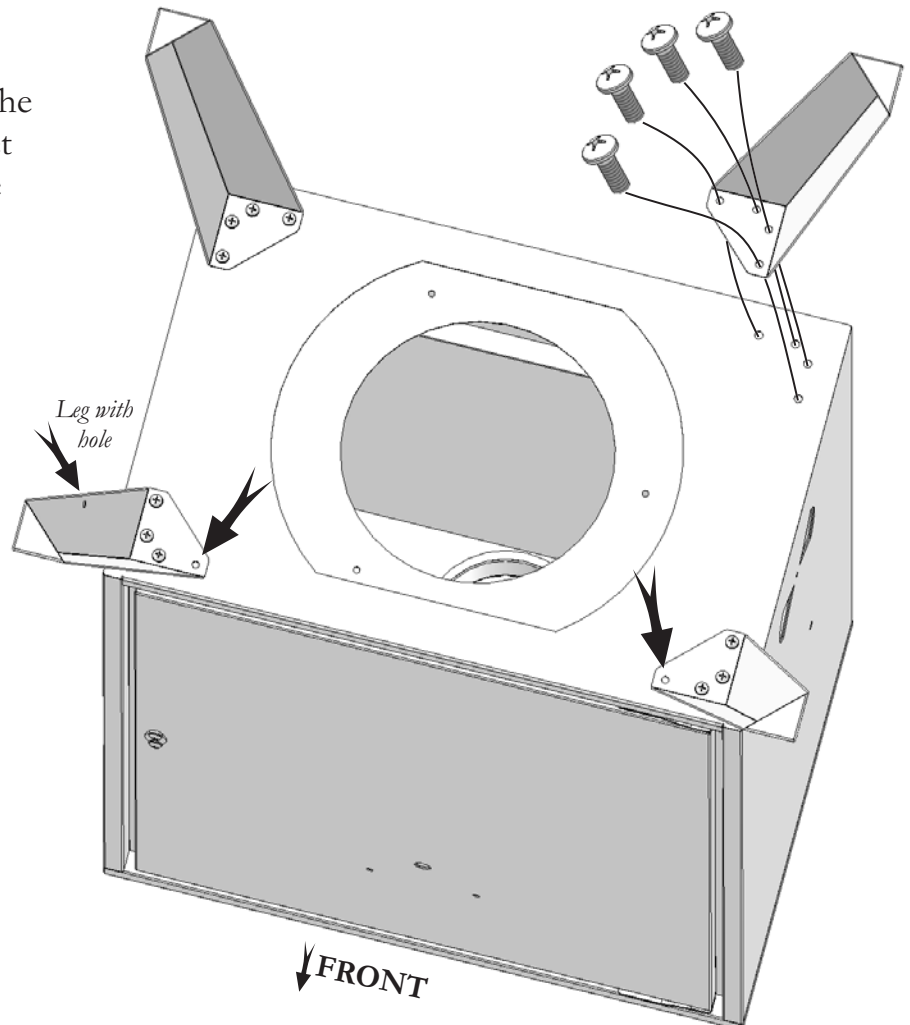
1. Turn the  
cabinet  
upside  
down.

2. For each leg, line up the holes and insert the bolts. Nuts are pre-welded to the cabinet.

**DO NOT** yet insert the two front bolts indicated by the red arrows. They will be used in the next assembly step.

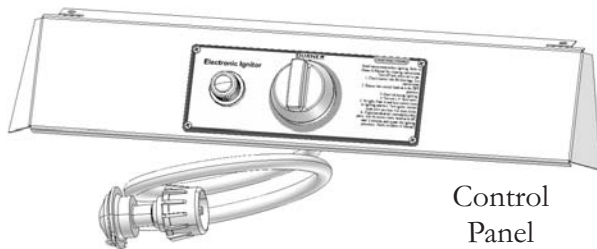
3. Securely tighten the bolts.

**IMPORTANT:** The leg that contains an extra hole on its side must be mounted at the front in the position shown. This hole will be used later to secure the gas hose to the leg with a zip-tie.



# Assembly Step 3

## Locate these parts:



## Tools needed:



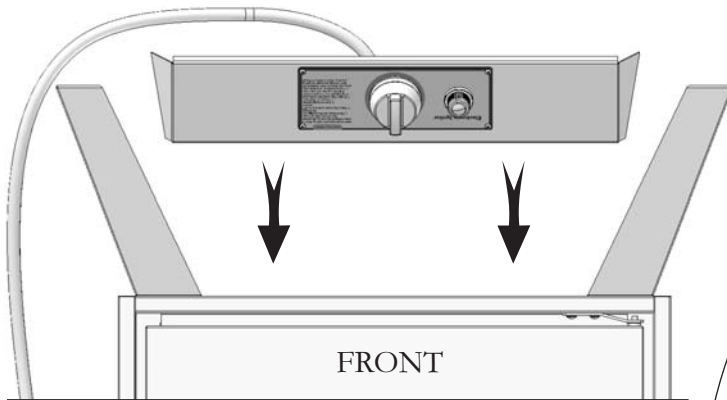
## Hardware:



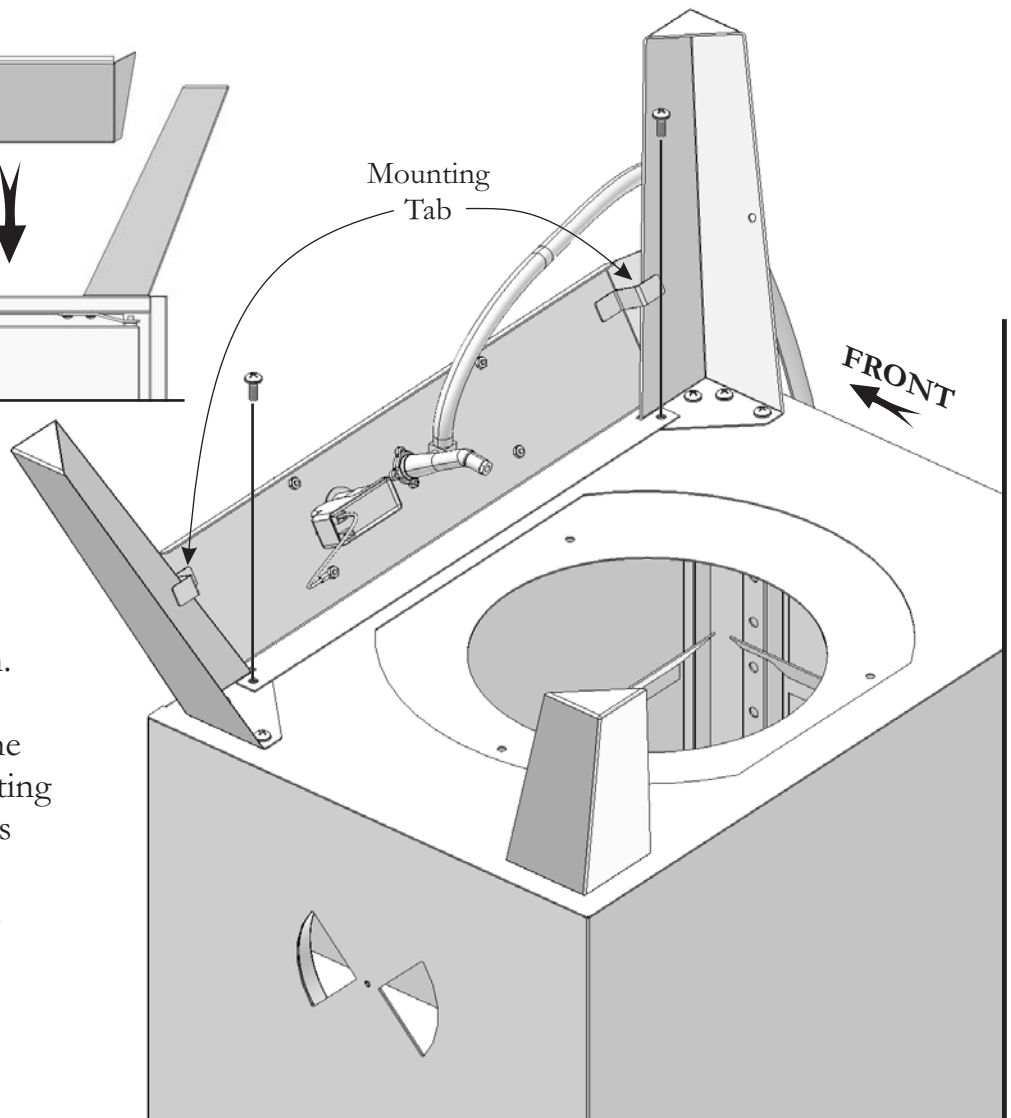
HARDWARE BAG

A

1/4-20 x 5/8" Bolts  
(2 remaining from previous step)



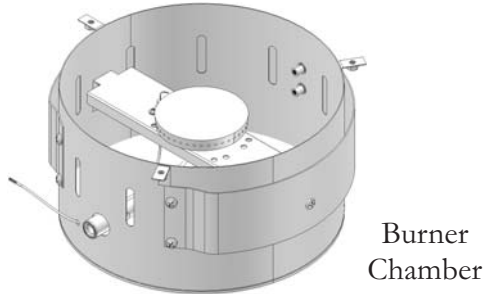
1. Leave the cabinet upside down.
2. From the front side, position the control panel upside down between the front legs as shown.
3. Set the control panel between the front legs and line up the mounting holes. Be sure the mounting tabs on the back side of the control panel capture the legs as shown.
4. Insert the 2 remaining bolts and tighten them securely.





# Assembly Step 4

## Locate these parts:



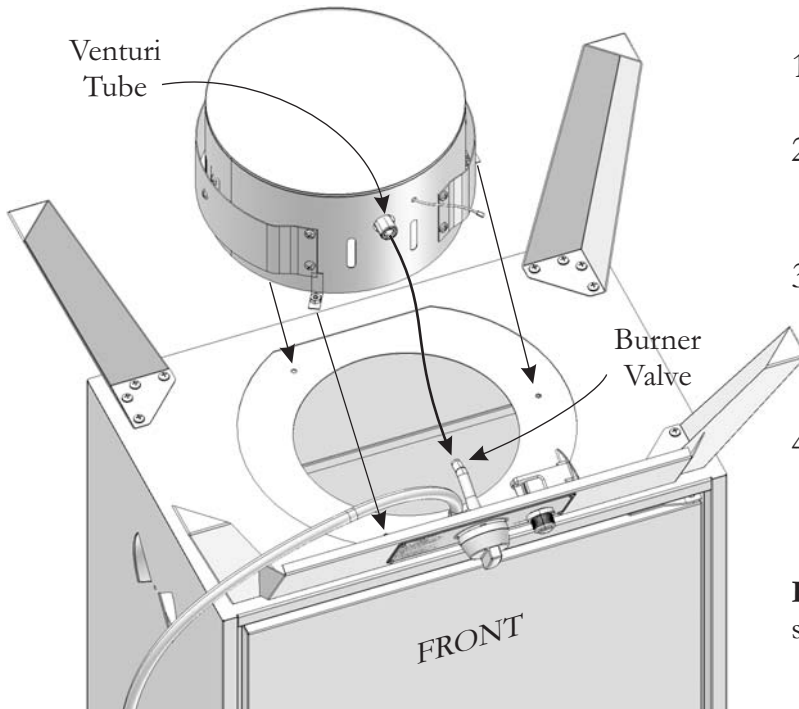
## Hardware:

1/4-20 x 1/2"  
Bolts  
3 Required



HARDWARE BAG **A1**

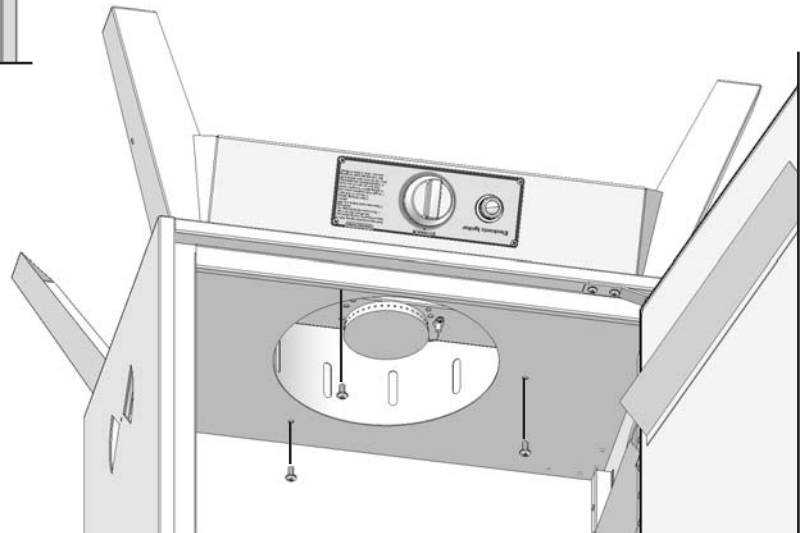
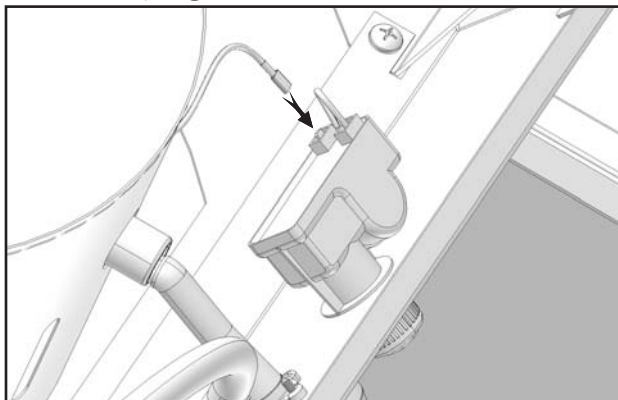
## Tools needed:



1. Leave the cabinet upside down.
2. Position the burner chamber upside down over the bottom of the cabinet as shown.
3. Set the burner chamber onto the bottom of the cabinet, just inside the cut out portion of the bottom panel.
4. Maneuver the burner chamber so that the burner valve seats into the end of the venturi tube.

**IMPORTANT!** The burner valve must be properly seated into the venturi tube for safe operation.

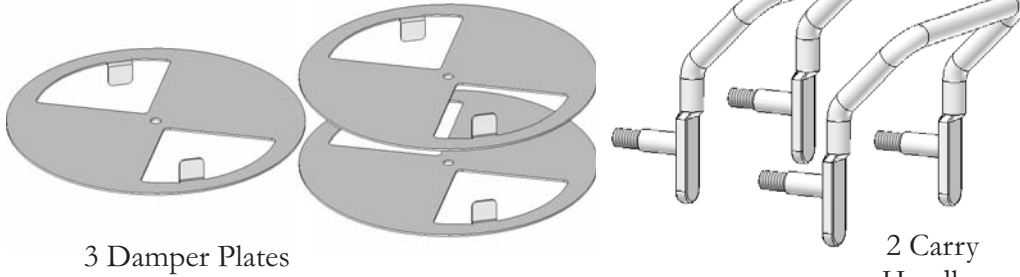
5. Open the cabinet door to access the burner chamber mounting holes.
6. From the inside of the cabinet, ensure that the mounting holes and mounting tabs are properly aligned; insert the 3 bolts into the mounting holes and securely tighten.



7. Locate the loose end of the ignitor wire routed from inside the burner chamber. Connect the wire to the unused prong on the back of the ignitor module.
8. Turn the smoker assembly upright.

# Assembly Step 5

## Locate these parts:



## Tools needed:

Phillips Head  
Screwdriver



## Hardware:

HARDWARE BAG

(B)

HARDWARE BAG

(C)



10-24x5/8" Bolts  
3 Required



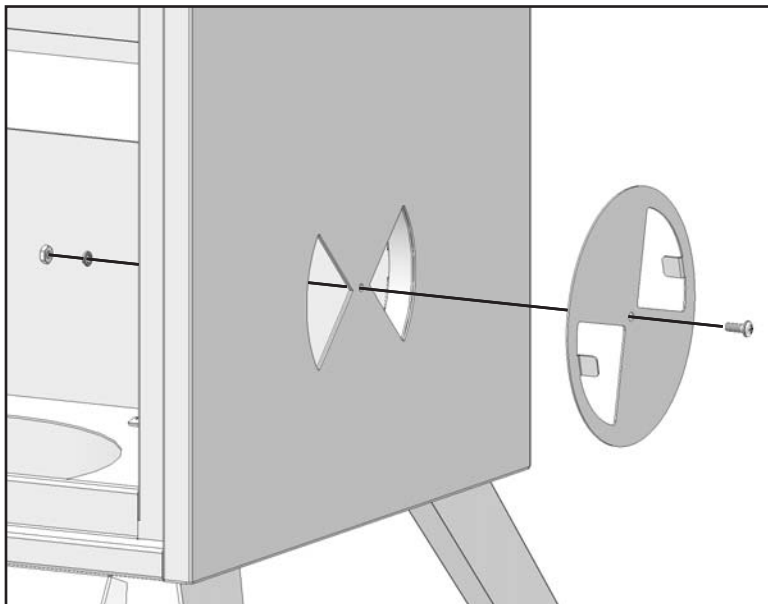
10-24 Lock  
Washers  
3 Required



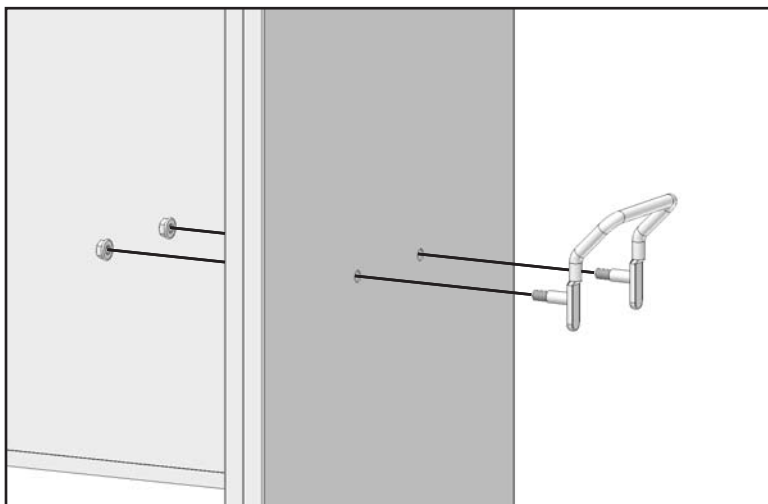
10-24 Nuts  
3 Required



1/4-20 Nuts  
4 Required



1. For each damper plate, line it up with the damper openings on the outside of the smoker cabinet.
2. Insert a 10-24x5/8" bolt into the center mounting hole from the outside of the smoker.
3. From the inside of the smoker cabinet, thread on a lock washer and nut. Slightly tighten the nuts, but allow them to stay loose enough to freely rotate the damper plates.



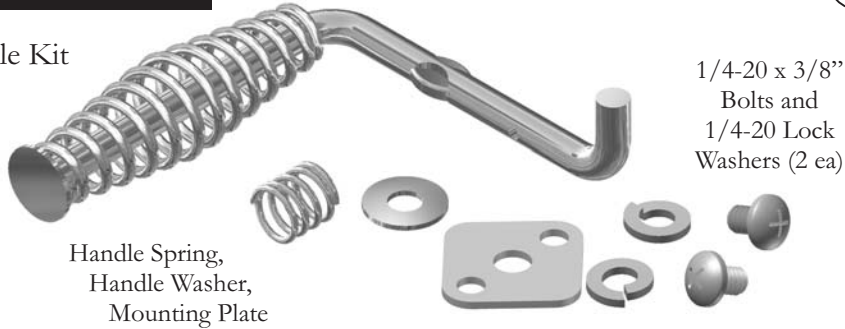
4. For each carry handle, insert the mounting studs into the mounting holes on the sides of the smoker cabinet.
5. From the inside of the smoker cabinet, thread on a nut onto each mounting stud. Securely tighten the nuts.

There are 3 damper locations and 2 carry handle locations - repeat steps until all are assembled.

# Assembly Step 6

## Locate these parts:

Door Handle Kit



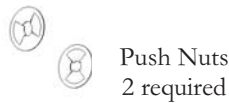
## Tools needed:



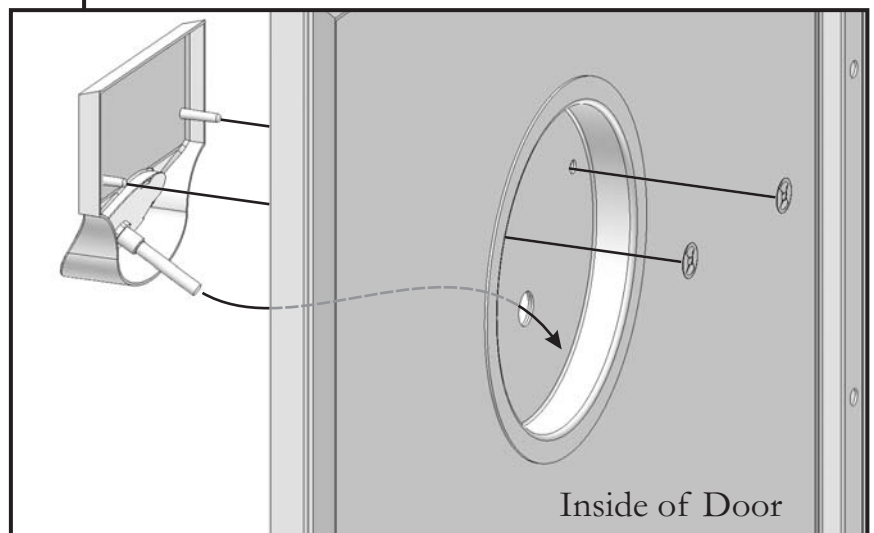
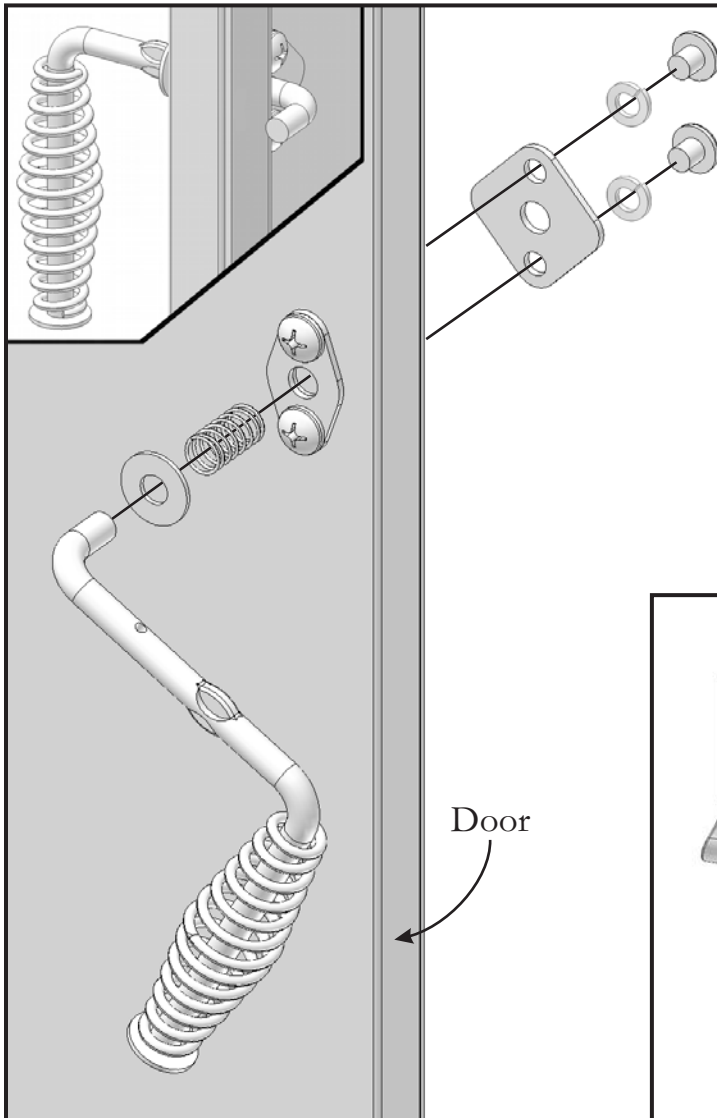
Nameplate with  
Heat Indicator



HARDWARE BAG **E**

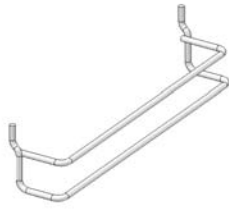


1. Assemble the door handle components as shown. With the handle washer and spring mounted to the door handle, insert the door handle into the front of the door as shown.
2. Place the mounting plate onto the backside of the door panel, capturing the door handle. Thread the bolts and washers into the back side of the door and tighten them securely.
3. Place the name plate onto the front of the door panel as shown below. From the back side of the door, place push nuts onto the mounting prongs of the name plate.

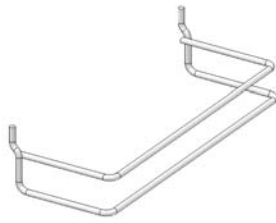


# Assembly Step 7

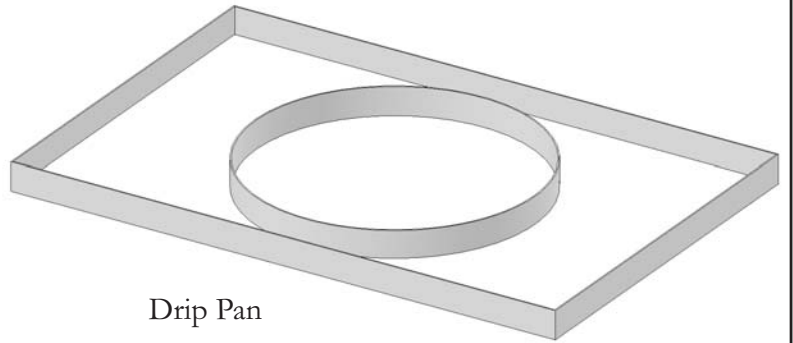
Locate these parts:



Small Rack Supports  
(10 included)



Large Rack Supports  
(2 included)

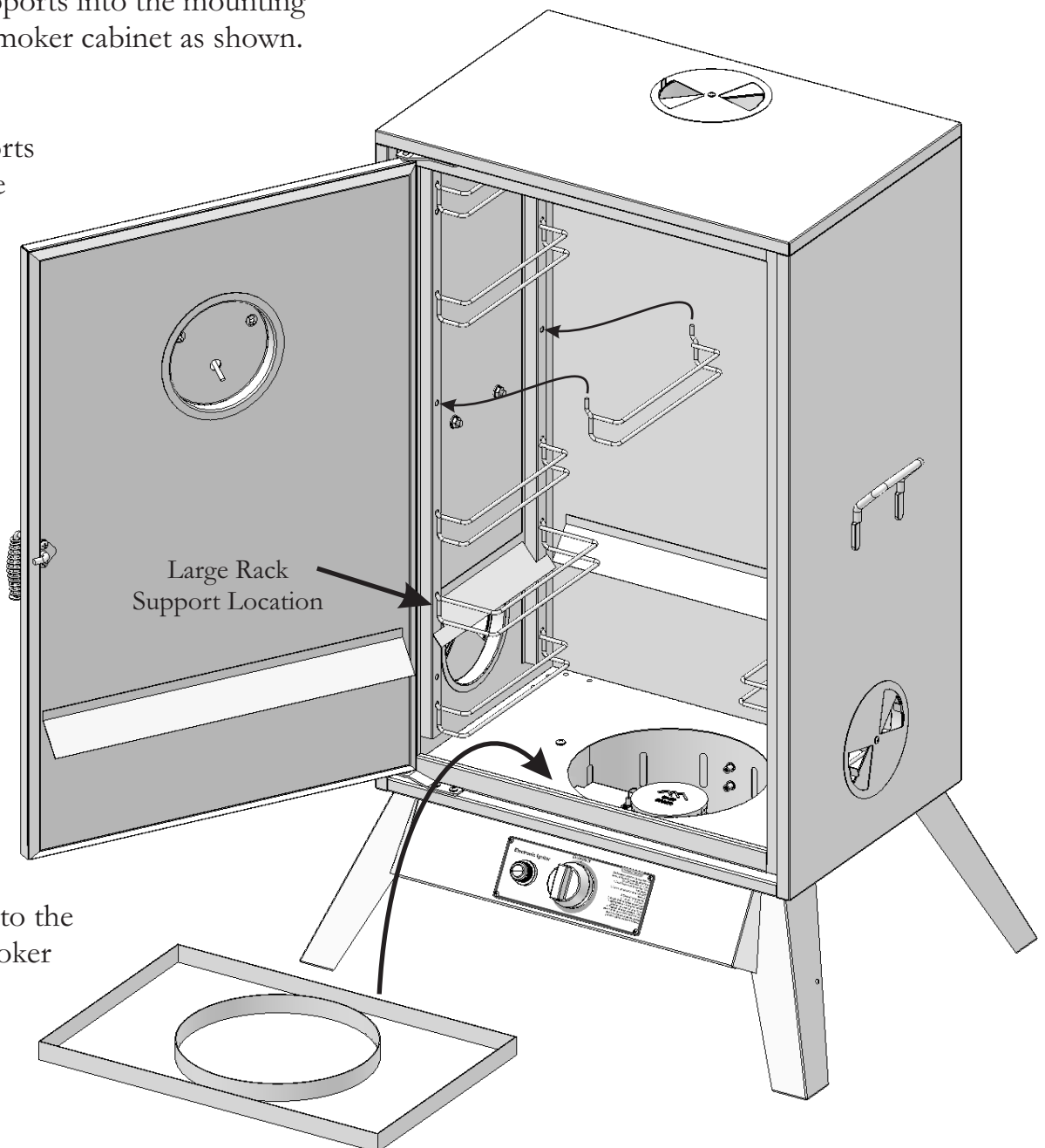


Drip Pan

1. Insert the rack supports into the mounting tracks inside the smoker cabinet as shown.

The large rack supports must be placed in the position shown.

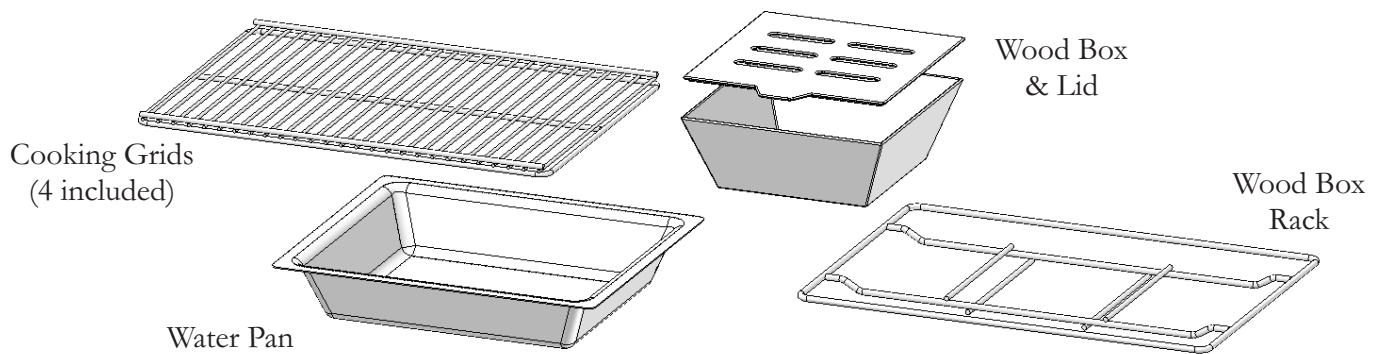
Place small rack supports into the bottom most positions of both sides, and evenly space the remaining racks into the upper positions.



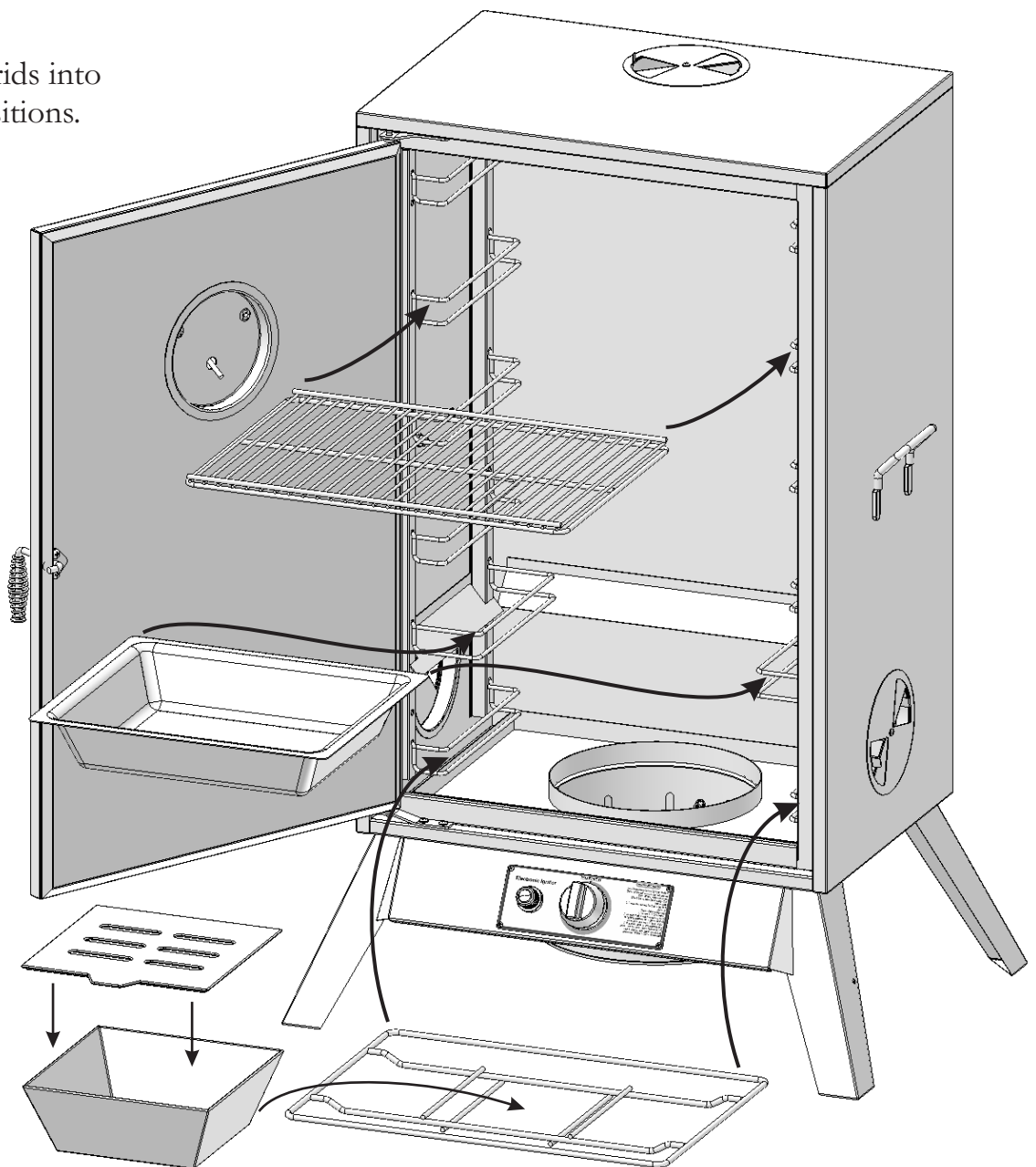
2. Set the drip pan into the bottom of the smoker cabinet as shown.

# Assembly Step 8

Locate these parts:



1. Insert the 4 cooking grids into the top 4 grid rack positions.
2. Place the water pan onto the large rack supports.
3. Insert the wood box rack into the lower most rack position.
4. Place the lid onto the wood box and set the wood box onto the wood box rack.

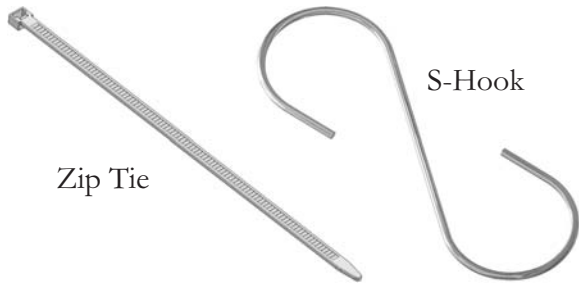


# Assembly Step 9

## Locate these parts:

HARDWARE BAG

F



Zip Tie

S-Hook

HARDWARE BAG

G

“AAA”  
Battery



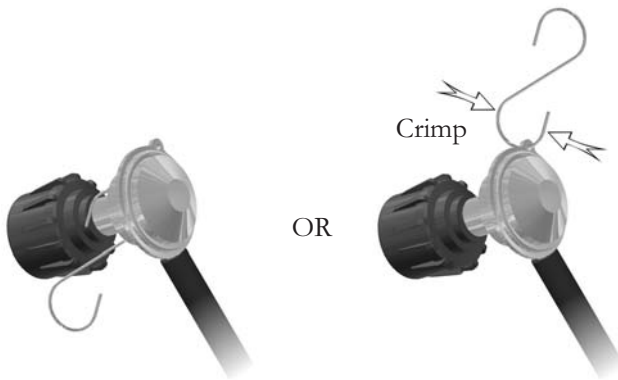
## Tools needed:



Pliers

1. Using the zip tie, secure the hose to the front leg as shown. Do not pull the zip tie tight - leave it just loose enough so that the hose can be adjusted if needed.

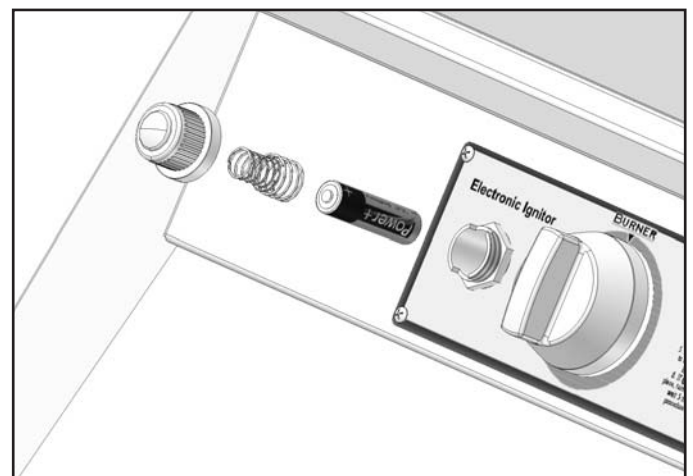
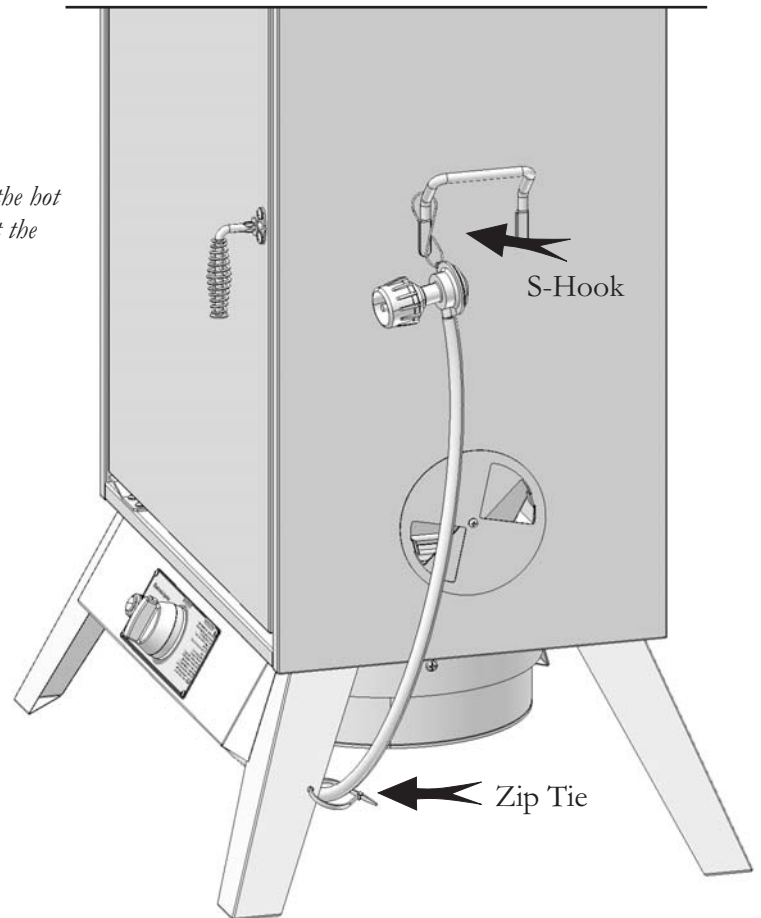
*Tying the hose to the leg helps prevent the hose from coming into contact with the hot burner chamber. Inspect the installation underneath the smoker to ensure that the hose is not rubbing any portion of the burner chamber.*



OR

Crimp

2. Place one end of the S-Hook around the regulator neck or through the eyelet as shown.
3. Using pliers, crimp the S-Hook securely to the HVR so that it can not be removed from the HVR.
4. When an LP tank is not attached to the smoker, use the S-Hook to hang the HVR from the carry handle on the side of the smoker. This will help prevent dirt and other particles from plugging the end of the HVR.
5. Unscrew the button cap off of the ignitor button and remove the cap and spring.
6. Insert the “AAA” battery, negative end first, into the ignitor module and replace the spring and cap.



# Connecting the LP Tank

## **⚠ WARNING**

ALL INSTRUCTIONS AND SAFEGUARDS ON THIS PAGE MUST BE FOLLOWED TO PREVENT FIRE, DAMAGE, AND / OR INJURY.

1. The knob on the LP tank must be closed. See that the knob is turned clockwise to a full stop.
2. Check that the control knob on the smoker is turned off.
3. Remove the protective cap from the LP tank valve and coupling nut, if present.
4. Hold the regulator in one hand and insert the nipple into the valve outlet. Be sure the nipple is centered in the valve outlet. The coupling nut connects to the large outside threads on the valve outlet. Use care - do not cross thread the connection.
5. Hand tighten the coupling nut clockwise until it comes to a full stop. Firmly tighten by hand only. Do not use tools.

**CAUTION:** In the connection process, the HVR side of the connection will seal on the back check in the valve, resulting in a slight resistance. The connection requires about one-half to three-quarters additional turn to complete the connection.

**⚠** Any fuel supply cylinder used must be constructed and marked in accordance with specifications for propane cylinders of the U.S. Department of Transportation (DOT) CFR 49, or CAN/CSA B339. The appliances is to be used only with the 20 pound, vertical standing vapor withdrawal type tank.

**⚠ (A) Do not store tanks under or near the smoker.**

**⚠ (B) Never fill tanks more than 80% full.**

**⚠ If instructions A and B above are not followed exactly, a fire causing death or serious injury may occur.**

This smoker is designed to operate on LP (Liquefied Propane) gas only.

The 20 lb LP cylinder used with this smoker must conform to the following requirements.

Diameter- 12" (30.5cm)

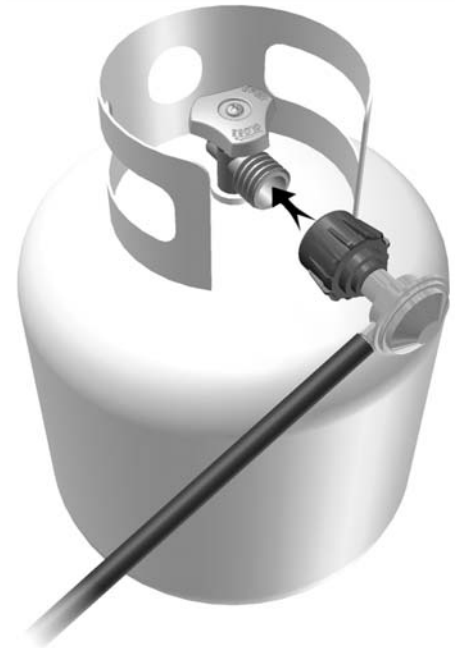
Height 18" (45.7cm)

With a maximum capacity of 20 pounds

The gas cylinder used must include a collar to protect the cylinder valve. The cylinder supply system must be arranged for vapor withdrawal.

**⚠ The instructions stated on gas cylinder tanks have to be followed when filling or transporting tanks. Failure to do so could result in problems relating to overfilling, excessive venting release of gas and to regulator freezing.**

Do not allow dirt or foreign material to get into or onto tank connection when it is not attached to the fuel supply system. Use the protective cap provided.



# Connecting the LP Tank - Continued

## **⚠ WARNING**

**ALL INSTRUCTIONS AND SAFEGUARDS ON THIS PAGE MUST BE FOLLOWED TO PREVENT FIRE, DAMAGE, AND / OR INJURY.**

Cylinders must be filled before initial use. All handling, transport, filling and storage of LP gas cylinders must be in accordance with NFPA 58 *Storage and Handling of Liquid Petroleum Gases*, or CAN/CGA b149.2 *Propane Installation Code*. Cylinders must be suitably tied down during transport. Do not place any other items on top of cylinders at any time. Cylinders are not to be exposed to excessive temperatures or high heat.

**If there is a question on the identity of your unit and of the type of fuel to be used, please look on the data plate. Units are factory equipped for use on only one type of fuel. These units cannot be, and should not be used on other type of fuels. Doing so can cause severe damage to the unit and the installation area and the added risk of serious injury. Any attempt to operate these smokers on fuels for which they are not design certified voids the manufacturer's warranty.**

Gas Tank outlet must have Type 1 gas connection termination in order to mate with gas hose provided with smoker.

The pressure regulator and hose assembly supplied by the manufacturer with the appliance must be used. Replacement pressure regulators and hose assemblies must be those specified by the appliance manufacturer.

The regulator/hose assembly should be handled carefully to prevent contamination by foreign objects and dirt. The assembly should be inspected before use for evidence of abrasion, wear, cuts, leaks, and any dirt or contamination should be wiped off. In order to insure proper operation, any replacement of the fuel tank regulator assembly has to be done with parts authorized by the smoker manufacturer.

This unit is not to be utilized with a non-self-contained LP-gas supply system

**⚠ Valve/pressure regulators are factory set to the correct operating pressures. No attempts should be made to adjust these settings!**

### ***Checking for Leaks***

After all connections are completed, check all connections and fittings for leaks with a soap solution.

- With all valves closed, apply the leak check solution (50/50 mix of dishwashing detergent and water) to all gas carrying connections and fittings.
- Open tank valve.

Presence of bubbles at areas of wet solution indicates a gas leak. If leaks are detected or you smell or hear gas, shut off the valve and repair the leak or replace the defective part. Do not use the smoker until all leaks are corrected.

When setting up the smoker and tank, it is recommended to have the tank and smoker on a line perpendicular to the wind direction.

The gas hose/regulator assembly should be totally extended to the maximum distance so that the hose is straight and the tank is as far from the smoker as it can be.

Keep the fuel hose away from any heated surface.

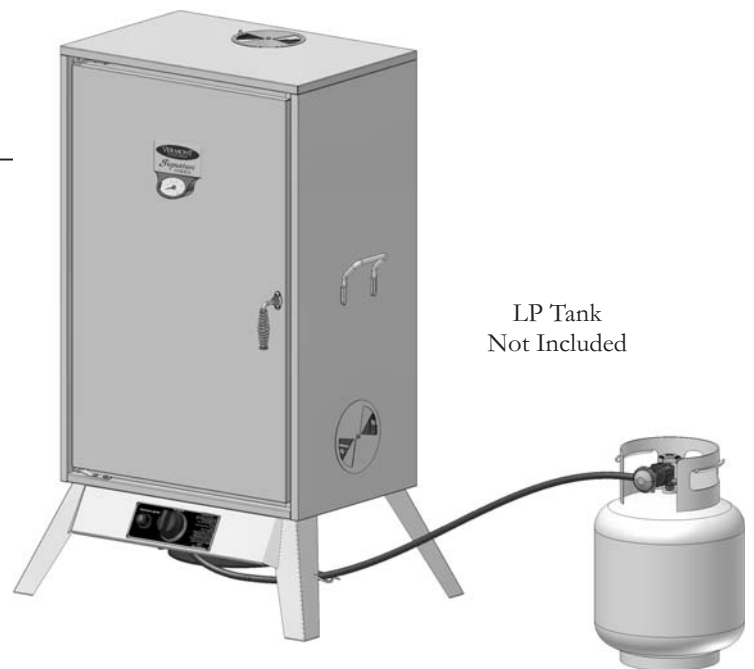
LP tanks are intended for operation in the upright position only.

Care should be taken to protect the fuel supply hose from damage from either foot or vehicle traffic.

If the appliance is not in use, the gas must be turned off at the supply cylinder and the cylinder should be disconnected from the appliance.

Storage of the appliance indoors is only permissible if the cylinder is disconnected and removed from the appliance.

Place dust cap on cylinder valve outlet whenever the cylinder is not in use. Only install the type of dust cap on the cylinder valve outlet that is provided with the cylinder valve. Other types of caps or plugs may result in leakage of propane.





# Operating Instructions

## Pre-Use Procedures

Your smoker has been packaged with a retail store level point-of-purchase label that hangs on the front of the door panel. This label must be removed before use. To remove the label, simply cut or tear along the indicated line and pull the top portion of the label from behind the name plate.

Before you cook food in your smoker, it is important to “season” your smoker. Seasoning seals the interior of your smoker to enhance flavoring, durability, and overall performance. This is also referred to as the “break-in” process.

To season your smoker, simply use it as you normally would; only do not cook any food. You will need to follow all of the operating procedures in the next few sections of this manual.

Using your desired flavoring woods and marinades, burn your smoker at low temperature (around 125°F) for 45-60 minutes. Let the smoker cool, and clean out the used water and wood.

Once seasoning is complete, your smoker's interior will have a durable, seasoned coating.

## Adding Water

To add water before cooking, simply remove the water bowl and fill it with water up to 1” below the rim. Then replace the bowl to the bottom of the rack.

To add water while the smoker is hot, **DO NOT** pull the water bowl out beyond the rack.

### Cooking Tip:

- ➔ Line the water bowl with aluminum foil before each use. This will make it easy to clean and help your water bowl last longer.
- ➔ To make adding water easier and safer, use a clean watering can with a long spout.



## Adding Wood

To add wood chips before cooking, simply fill the wood chip box with your choice of flavoring hardwood chips. The amount and type of wood you use is entirely up to you. One full box is typically enough for several hours of smoking. Once the box is filled, place the lid on top of the box and set the box in the smoker.



To add wood chips while cooking, we recommend using tongs or long handled pliers to remove the box lid and to place the pieces into the wood chip box without removing the box. It is not recommended to remove the wood chip box while the smoker is in operation.

**CAUTION! :** The wood chip box and lid get very hot. Avoid handling them while in use. Always wear protective oven mitts when handling hot components.



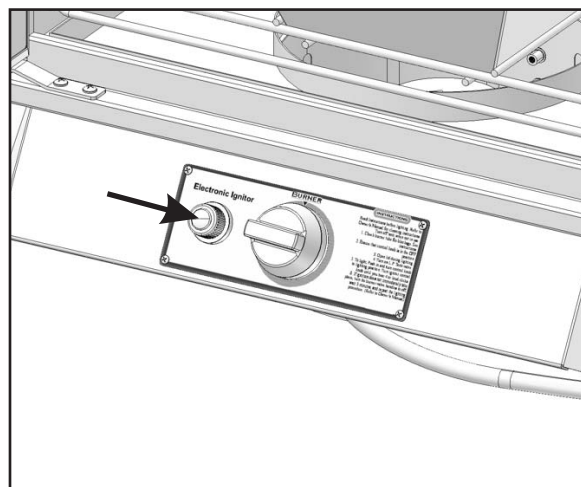
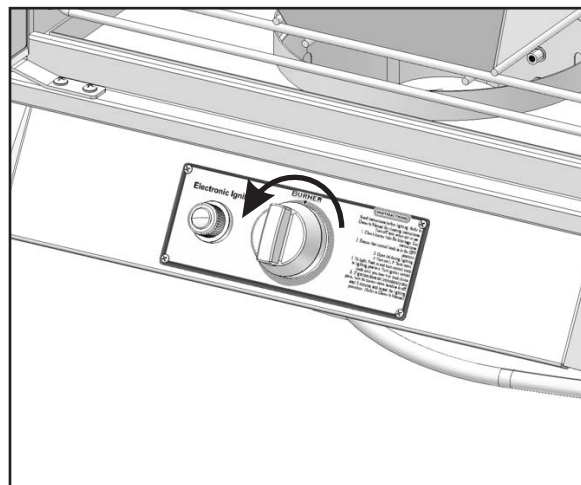
### Cooking Tip - Flavoring Wood:

- ➔ Small wood chips work best inside the wood chip box.
- ➔ Use dry hardwoods such as hickory, pecan, apple, cherry, or mesquite.
- ➔ Most fruit or nut tree woods produce excellent smoke flavoring.
- ➔ Do not use resinous woods such as pine or plywood. These usually produce unpleasant flavoring.
- ➔ Let your taste be your guide experiment with different types and quantities of wood chunks, chips, or sticks. You can even mix woods.
- ➔ To produce more smoke and to prevent fast burning, pre-soak the wood chips in a separate bowl of water for at least 20 minutes, or wrap the chips in perforated aluminum foil.
- ➔ Most smoke flavoring occurs within the first hour of cooking. Adding wood chips after the first hour is typically not necessary unless extra smoke flavoring is desired.

## Lighting Procedure

### Ignitor Lighting System:

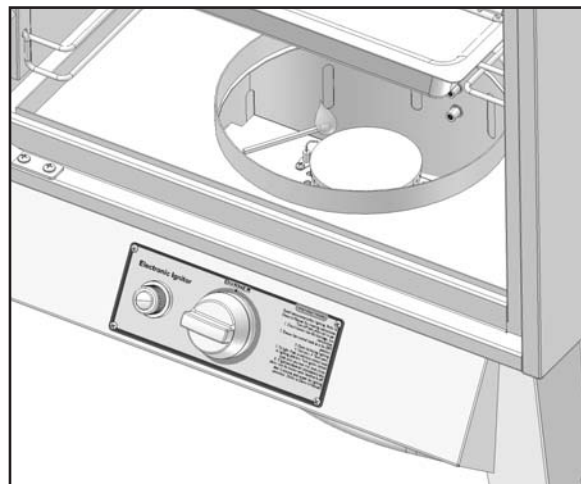
1. Check all connections for leaks using the "soapy water" test as explained on page 16.
2. Open the smoker cabinet door.
3. Check for any blockage to the venturi tube or burner. Remove any foreign objects or matter.
4. Be sure the burner control knob is in the "OFF" position.
5. Open the LP cylinder valve 1 ½ turns by turning counter-clockwise.
6. To light unit with the electronic ignitor, push in and turn the burner control knob counter-clockwise to the high setting.
7. Immediately push the ignitor button - you will hear rapid clicks (you should see a small spark jumping from the end of the electrode rod to the side of the burner). If the burner doesn't light within 3 to 5 seconds, turn the burner control knob off and wait five minutes before repeating the steps again. If the burner still fails to light, try match lighting the smoker using the instructions noted below.
8. Once the burner is lit, then close the door to allow heat to accumulate. The dampers can then be adjusted to the desired setting to allow proper air flow and combustion. Damper adjustment tips are listed on the next page.



### Match Lighting:

1. Repeat steps 1 thru 5 of the Ignitor Lighting System above.
2. Remove the Wood Chip Box and its stand from inside the smoker. Light a paper match and drop it into the burn chamber, making sure it falls next to the brass burner. Quickly turn the control knob to the light position. If the burner does not light within 4 or 5 seconds, turn the control knob off, wait 5 minutes, and repeat the process.

If the burner flame should go out during operation, immediately turn off the gas at the burner control valve and cylinder. Wait 5 minutes before re-lighting the unit.



### **Cooking Tip Damper Adjustments:**

- For better performance, rotate the smoker to where the front or back of the cabinet is facing the wind. This allows the adjustment of the dampers to be more effective and accurate.
- The dampers should never be fully closed.
- Opening a side damper allows more oxygen to be consumed by the fire, fueling the flames and causing an increase in temperature.
- Opening the top damper helps to exhaust both the heat and smoke.
- The key to effective smoking is to watch your heat indicator on the door and adjust the dampers accordingly.
- Temperature maintenance is best controlled by different damper adjustment configurations.

## **Shutting the Smoker Off**

**CAUTION:** The smoker can become very hot while in use. Do not touch any portion of the smoker except for the door handle and burner control knob. It may be necessary to use protective gloves.

- Turn the burner control knob off by pushing in and rotating clockwise. The burner flame should then go out.
- Turn off the LP cylinder valve by turning the knob clockwise until it stops.
- Follow all warnings and safety precautions before removing meat from smoker or preparing the unit for storage. Please see page 23 for proper storage procedures and the important warnings and safeguards on pages 1 and 2.

## Cooking Instructions

**IMPORTANT:** Before each use, clean and inspect the hose and the connection to the LP cylinder. If there is evidence of abrasion, wear, cuts or leaks, the hose must be replaced before the smoker is used. Refer to the “leak test” instructions in the LP Tank connection portion of this manual.

- Fill the wood chip box with flavoring wood chips and place the box inside the smoker as instructed in the assembly section of this manual. Refer to the section that explains flavoring wood for recommended use of flavoring wood.
- Place the water bowl inside the smoker in the lowest rack position as explained in the assembly section of this manual. Carefully fill the water bowl with water or marinade up to 1 inch below the rim. A full bowl will last for approximately 2-3 hours. Do not overfill or allow water to overflow from the water bowl.
- Insert or adjust the cooking grids in to the desired rack positions. For better access to the food with tongs or spatulas, make sure the grid wires run front to back as explained in the assembly section of this manual.
- You are now ready to light the burner. Refer to the Lighting Procedure on the previous pages of this manual. The heat from the burner will allow the wood chips to burn, causing the flavoring smoke to accumulate. Adjust the dampers to control the heat.
- Place the food on the cooking grids in a single layer with space between each piece. This will allow smoke and hot moisture to circulate evenly around all the food pieces.
- Smoking for 2 to 3 hours at the ideal constant cooking temperature of 225° to 250° F will get the best results. This temperature is according to the heat indicator mounted on the front of the smoker. For more tender and heavily smoked meat, a lower temperature may be preferred. If time is critical, a higher temperature range is recommended.
- Check water level periodically and add water if low. For best results and to retain heat, avoid opening the door of the smoker while in use. When the door must be opened, only open it briefly. The smoker will quickly resume cooking temperature after the door is closed.
- Always use a meat probe thermometer to ensure food is fully cooked before removing it from the smoker.
- After each use, and after the smoker is cooled, carefully remove the grease pan from the bottom of the smoker, empty the grease, and clean the grease pan.

## Temperature Chart

Here is a chart for measuring properly cooked meat temperature:  
(USDA standard)

### Ground Meat & Meat Mixtures

Turkey, Chicken	165°F / 74°C
Veal, Lamb	160°F / 72°C
Beef, Pork	160°F / 72°C

### Fresh Beef

Medium Rare	145°F / 63°C
Medium	160°F / 72°C
Well Done	170°F / 77°C

### Fresh Lamb

Medium Rare	145°F / 63°C
Medium	160°F / 72°C
Well Done	170°F / 77°C

### Fresh Veal

Medium Rare	145°F / 63°C
Medium	160°F / 72°C
Well Done	170°F / 77°C

### Poultry

Chicken, whole	180°F / 83°C
Turkey, whole	180°F / 83°C
Breasts, roast	170°F / 77°C
Thighs, wings	180°F / 83°C
Duck and Goose	180°F / 83°C

### Fresh Pork

Medium	160°F / 72°C
Well Done	170°F / 77°C

### Ham

Fresh (raw)	160°F / 72°C
Pre-Cooked	140°F / 60°C

### Fish

(Cook until opaque  
and flakes easily)

### Note:

**These temperatures are measured with a meat probe *thermometer*.  
The heat indicator on the door of the smoker is not an accurate  
*meat temperature* reading.**

# After Use Safety and Maintenance

## ⚠️ WARNING

- ⚠️ Use caution when lifting and moving the smoker to avoid strains or back injury. 2 people are recommended to lift or move the smoker.
- ⚠️ DO NOT store the smoker near gasoline or other combustible liquids or where combustible vapors may be present. Keep the area around the smoker clear and free of combustible materials and vapors.
- ⚠️ DO NOT store this smoker in an area accessible to children or pets. Store the smoker in a dry, protected location.
- ⚠️ DO NOT allow anyone to conduct activities around the smoker following use until it has cooled. It is hot during operation and remains hot for a period of time following use.
- ⚠️ DO NOT leave hot ashes unattended until the smoker cools completely.
- ⚠️ This smoker becomes extremely hot - allow the smoker to cool completely before handling. If you must handle the smoker while it is hot, ALWAYS wear protective oven mitts or heat resistant gloves when handling the smoker or its components. Allow the smoker to cool before removing and cleaning the grease pan.
- ⚠️ Dispose of cold ashes by wrapping them in heavy duty aluminum foil and putting them in a noncombustible container. Be sure there are no other combustible materials in or near the container.
- ⚠️ If you must dispose of the ashes in less time than it takes for them to completely cool, remove the ashes from the smoker, keeping them in heavy duty foil, and soak them completely with water before disposing of them in a noncombustible container.

## Care and Maintenance

**CAUTION:** All care and maintenance procedures are to be performed only while the smoker is turned off and cooled.

Clean the water bowl and cooking grids with hot, soapy water. Rinse and dry thoroughly. You may prefer to coat the water bowl and cooking grids lightly with cooking oil or cooking spray.

Frequently check and clean the venturi and burner for insects and insect nests. A clogged tube can lead to fire outside the smoker. Also make sure the smoker does not have any foreign objects obstructing the flow of combustion and ventilation air.

If your heat indicator seems to be out of calibration: Remove the heat indicator from the door of the smoker by loosening and removing the mounting nut from the inside. There is a second nut mounted on the back of the heat indicator that can be turned to adjust the heat indicator needle. Set the needle to the current outdoor ambient temperature and re-mount the heat indicator to the door of the smoker.

To clean the inside and outside of the smoker cabinet, simply use a damp cloth. Spray-washing with a water hose is not recommended. All moisture should be wiped away and not allowed to stand inside or on top of the smoker. Carefully remove the grease pan, dispose the grease, and wash thoroughly. Once cleaned, you may prefer to lightly coat the interior of the smoker cabinet with cooking oil or cooking spray.

If rust is present on the exterior surface of the smoker, clean the area with steel wool or emery cloth and use heavy duty, heat resistant paint.

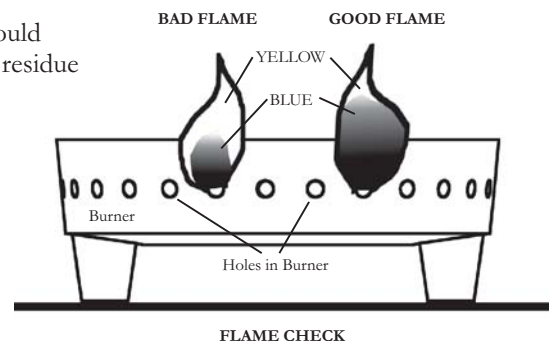
NEVER apply additional paint to the interior of the smoker. If rust is present on the interior of the smoker, clean it thoroughly with steel wool or emery cloth and lightly coat the area with cooking oil or cooking spray to help minimize recurring rust.

When an LP tank is not connected, and to help prevent dirt or other foreign particles from clogging the HVR, hang the end of the HVR hose from the side handle using the supplied S-hook.

Inspect the flames at the burner by looking through the front access hole. A good flame should be blue with a yellow tip 1" to 2" in length. If flames are excessively yellow and irregular, oil residue and food deposits may be collecting on the burner. Try cleaning the burner surface and the holes to improve the flames. Bad flames may also be caused by poor HVR-to-venturi attachment. Always let the smoker cool before cleaning or checking the assembly.

To protect your smoker from weather, always keep your smoker covered while not in use.

To obtain replacement parts or accessories, call our toll-free customer service line: 1-800-668-5323



# Manufacturer's Limited Warranty

The Vermont Casting Signature Series™ smoker is guaranteed against broken or damaged parts at the time of purchase. The cast brass burner is guaranteed for 5 years. All other parts carry a 1-year limited warranty except the water bowl, which is guaranteed to be free of defects for 90 days. Paint is guaranteed to be free of defects for 90 days except for rust, which may appear after repeated use (does not apply to Stainless Steel models).

This warranty does not cover damage or issues related to neglect, abuse, or modifications to the product. Repair labor is not covered.

All parts that meet the warranty requirements will be shipped at no-charge via the discretion of the Customer Service Department (ground shipments, US Mail, or Parcel Post ONLY). Any special handling charges (i.e. Second Day, Overnight, etc.) will be the responsibility of the consumer.

All warranty claims apply only to the original purchaser and require a proof of purchase verifying purchase date. Do not return parts to our address without first obtaining a return authorization number from our customer service. This service is available by calling toll free: 1-800-668-5323, 8:00am to 4:30pm central time, Monday through Friday.

This warranty may give you specific legal rights that vary by state or province.



CFM Corporation  
2695 Meadowvale Boulevard  
Mississauga, Ontario L5N 8A3 Canada  
(800) 668-5323 · [www.cfmcorp.com](http://www.cfmcorp.com)



## Free Manuals Download Website

<http://myh66.com>

<http://usermanuals.us>

<http://www.somanuals.com>

<http://www.4manuals.cc>

<http://www.manual-lib.com>

<http://www.404manual.com>

<http://www.luxmanual.com>

<http://aubethermostatmanual.com>

Golf course search by state

<http://golfingnear.com>

Email search by domain

<http://emailbydomain.com>

Auto manuals search

<http://auto.somanuals.com>

TV manuals search

<http://tv.somanuals.com>