

WARNING! IF THE INFORMATION IN THIS MANUAL IS NOT FOLLOWED EXACTLY, A FIRE OR EXPLOSION MAY RESULT CAUSING PROPERTY DAMAGE, PERSONAL INJURY OR LOSS OF LIFE.

FOR YOUR SAFETY

WHAT TO DO IF YOU SMELL GAS:

- * Do not try to light any appliance.
 - * Do not touch any electric switch.
 - * Do not use any phone in your building.
 - * Immediately call your gas supplier from your neighbours phone. Follow the gas suppliers instructions.
 - * If you cannot reach your gas supplier call the fire department.
-

DO NOT STORE OR USE GASOLINE OR OTHER FLAMMABLE VAPOURS AND LIQUIDS IN THE VICINITY OF THIS OR ANY OTHER APPLIANCE.

- * Installation and service must be performed by a qualified installer, service agency or your gas supplier.



**DIRECT VENT
INSERT
MODEL**

IRHEDV32



Installation Instructions & Homeowner's Manual



INSTALLER: DO NOT DISCARD THIS MANUAL - LEAVE FOR HOMEOWNER

10003929
01/02 Rev. 0

TABLE OF CONTENTS

Please read the Installation & Operating Instructions before using this appliance. Thank you and congratulations on your purchase of a Irving Oil fireplace.

IMPORTANT - READ ALL INSTRUCTIONS AND WARNINGS CAREFULLY BEFORE STARTING INSTALLATION. FAILURE TO FOLLOW THESE INSTRUCTIONS MAY RESULT IN A POSSIBLE FIRE HAZARD AND WILL VOID THE MANUFACTURERS' WARRANTY.

Installation Instructions	3
General Information	3
Important Curing/Burn Information	3
Locating Your Fireplace	3
Insert Applications	3
Mantels	3
Fireplace & Trim Dimensions	4
Gas Specifications	5
Preparation	5
Gas Line Installation	5
Installation of Trim Switch For RP Gas Valves	6
Adjustment of Levelling Bar	6
Venting and Installation	6
Liner Installation	7
Venting Diagram	7
Fan Kit	8
Fan Removal Instructions	8
Operating Instructions	9
General Glass Information	9
Louvre Removal	9
Glass Cleaning	9
Glass Frame Removal	9
Installation of Logs & Burner Lava Rock	9
Large Lava Rock Placement	10
Ceramic Refractory Installation	10
Maintenance	10
Cleaning Procedure	10
Flame Adjustment	11
Flame Characteristics	11
Lighting & Operating Instructions	12
Troubleshooting Gas Control (820 Millivolt Gas Valve)	13
Troubleshooting Gas Control (Honeywell)	14
Replacement Parts List (Pictorial)	15
Replacement Parts List	16
Trim Options	17
A) A-Trim Options for IRHEDV32	17
A1 - RHESS/RHESL/RHESSD/RHESLD & RHESXL Trims	17
A2 - RHEBSL & RHEBXL Trims	20
A3 - RHEFA & RHEFP Trims	21
A4 - HEBTKP/HESBTKP/HECBTK/HECBTKMB & HEBTA	22
A5 - Cast Trims	26
A6 - Freestanding Kits	26
A7 - Riser Kits	26
A8 - Arch Door	26
B) Remote Control	26
Venting Components	27

INSTALLATION INSTRUCTIONS

This gas appliance should be installed by a qualified installer in accordance with local building codes and with current CSA-B149.1 or .2 Installation codes for Gas Burning Appliances and Equipment.

FOR U.S.A Installations follow local codes and/or the current National Fuel Gas Code. ANSI Z223.1.

FOR SAFE INSTALLATION AND OPERATION OF YOUR IRVING OIL GAS FIREPLACE PLEASE NOTE THE FOLLOWING:

1. This appliance gives off high temperatures and should be located out of high traffic areas and away from furniture and draperies.
2. Children and adults should be alerted to the hazards of the high surface temperatures of this appliance and should stay away to avoid burns or ignition of clothing.
3. Children should be carefully supervised when they are in the same room as your appliance.
4. Under no circumstances should this appliance be modified. Parts removed for servicing should be replaced prior to operating this appliance again.
5. Installation and any repairs to this appliance should be carried out by a qualified service person. A professional service person should be contacted to inspect this appliance annually. Make it a practice to have all of your gas appliances checked annually. More frequent cleaning may be required due to excess lint and dust from carpeting, bedding material, etc.
6. Control compartments, burners and air passages in this appliance should be kept clean and free of dust and lint. Make sure that the gas valve and pilot light are turned off before you attempt to clean this unit.
7. The venting system (chimney) of this appliance should be checked at least once a year and if needed your venting system should be cleaned.
8. Keep the area around your appliance clear of combustible materials, gasoline and other flammable vapour and liquids. This appliance should not be used as a drying rack for clothing, nor should Christmas stockings or decorations be hung in the area of it.
9. Under no circumstances should any solid fuels (wood, coal, paper or cardboard etc.) be used in this appliance.
10. The flow of combustion and ventilation air fan must not be obstructed in any way.

IMPORTANT: PLEASE REVIEW THE FOLLOWING CAREFULLY

It is normal for fireplaces fabricated of steel to give off some expansion and/or contraction noises during the start up or cool down cycle. Similar noises are found with your furnace heat exchanger or car engine.

It is not unusual for your Irving Oil gas fireplace to give off some odour the first time it is burned. This is due to the curing of the paint and any undetected oil from the manufacturing process.

Please ensure that your room is well ventilated - open all windows.

It is recommended that you burn your Irving Oil fireplace for a least ten (10) hours the first time you use it. If optional fan kit has been installed, place fan in the "OFF" position during this time.

LOCATING YOUR IRVING OIL GAS FIREPLACE INSERT



Your Direct Vented Insert unit was designed to be installed in an existing woodburning fireplace. The location and clearances are therefore subject to your local building codes.

INSERT APPLICATIONS

Before installing the gas fireplace insert consideration must be given to the functioning needs of the fireplace. The size of the fireplace cavity size (min. 28-3/4"W x 21-1/4"H x 16" D), the design of the chimney (a minimum size of 8" x 12" is necessary to accommodate the two (2) 3" liners). The availability of the gas supply as well as electricity for the insert fan must be confirmed.

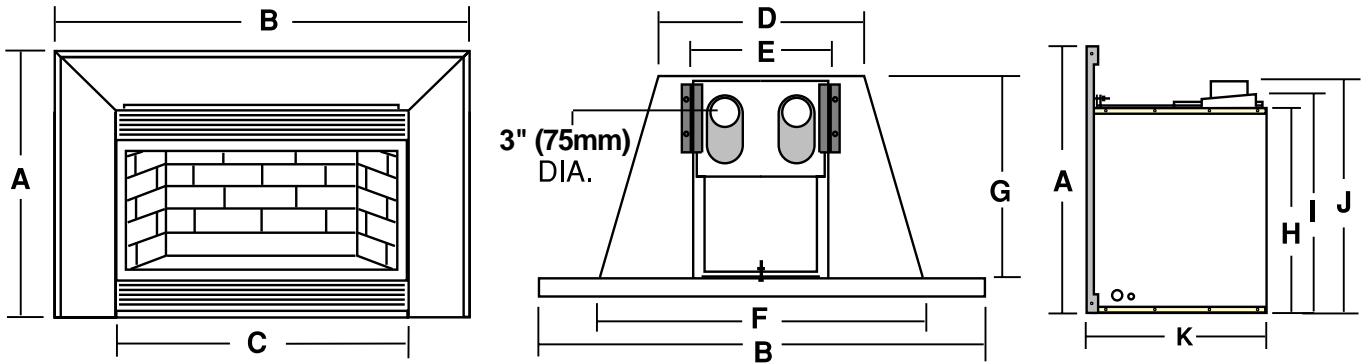


Your Direct Vented Insert unit is designed to be vented vertically only with a minimum height of 12 feet.

MANTELS

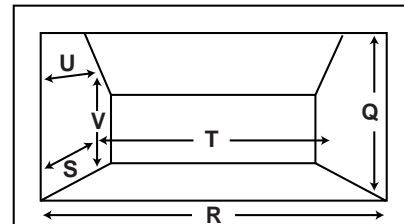
When the unit is installed into a woodburning fireplace, the minimum distance the mantel can be placed above the fireplace is governed by local building codes applicable to woodburning fireplaces. Consult local authorities having jurisdiction for these clearances. The underside of the mantel will become warm. Use only finishes which are heat resistant and do not discolour.

FIREPLACE & TRIM DIMENSIONS



- R - Fireplace opening width
- Q - Fireplace opening height
- S - Depth of insert
- T - Firebox width at insert depth(S)
- U - Firebox depth at insert back height (V)
- V - Insert back height

- 1= SS or SSD Trim
- 2= SL or SLD Trim
- 3= SXL Trim
- 4= BSL Trim
- 5= BXL Trim



MINIMUM FIREPLACE
INSERT OPENING

		IRHEDV32	
T R I M	A1	26 ^{5/8} "	676 mm
	B1	38 ^{3/8} "	975 mm
	A2	29"	737 mm
	B2	41 ^{15/16} "	1065 mm
	A3	33"	838 mm
	B3	44"	1118 mm
	A4	28"	712 mm
	B4	40 ^{7/8} "	1041 mm
	A5	30 ^{1/2} "	775 mm
	B5	46"	1171 mm
F I R E P L A C E	C	28 ^{7/8} "	733 mm
	D	16 ^{7/8} "	428 mm
	E	12"	305 mm
	F	28 ^{5/8} "	727 mm
	G	16"	406 mm
	H	20 ^{1/16} "	510 mm
	I	21 ^{1/16} "	535 mm
	J	22 ^{1/16} "	561 mm
M O I P E N I N G	K	18 ^{5/16} "	465 mm
	Q	21 ^{1/4} "	539 mm
	R	28 ^{3/4} "	711 mm
	S	16"	407 mm
	T	17 ^{3/8} "	441 mm
	U	16 ^{1/4} "	413 mm
	V	21 ^{5/16} "	541 mm

GAS SPECIFICATIONS

MODEL	FUEL	GAS CONTROL	MAX. INPUT B.T.U.H	MIN. INPUT B.T.U.H.
RHEDV32RP	Propane Gas	Millivolt Hi/Lo	27,000	20,250

This appliance may be installed in an aftermarket permanently located, manufactured (mobile) home, where not prohibited by local codes.

This appliance is only for use with the type of gas indicated on the rating plate. This appliance is not convertible for use with other gases, unless an available certified kit is used.

Input ratings are shown in BTU per hour and are certified without deration for elevations up to 4,500 feet (1,370 m) above sea level. For elevations above 4,500 feet (1,370 m) in USA, installations must be in accordance with the current ANSI Z223.1 and/or local codes having jurisdiction. In Canada, please consult provincial and/or local authorities having jurisdiction for installations at elevations above 4,500 feet (1,370 m).

CFM186

All Irving Oil gas inserts are approved for installation in solid fuel burning masonry or zero clearance fireplaces.

GAS INLET & MANIFOLD PRESSURES

	LP (Propane)
Input Minimum	11" wc
Input Maximum	13" wc
Manifold Pressure	10" wc



Do not use this appliance if any part of it has been under water. Immediately call a qualified service technician to inspect the unit and replace any part of the control which has been under water.

PREPARATION

Before beginning, remove glass door and logs from unit. Also check to make sure there is no hidden damage to the unit. Take a minute and plan out the gas, venting and electrical route. It is best to start with the gas line first followed by the chimney liner (See page 9).

**IRHEDV32
CERTIFIED TO:**

**ANSI.Z21.88b-1999 / CSA 2.33b - M99
Vented Gas Fireplace Heaters**

GAS LINE INSTALLATION GAS



When purging the gas line, the front glass must be removed.

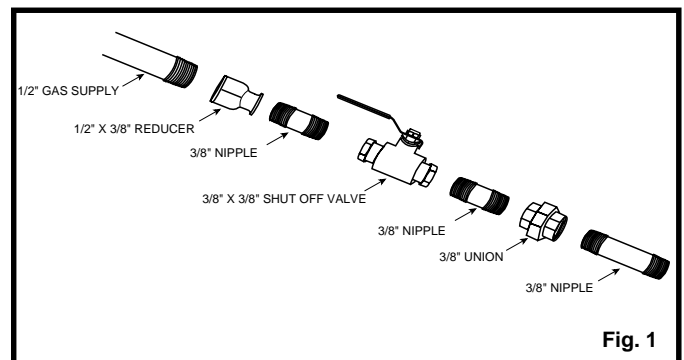
The gas pipeline can be brought into the fireplace base from the right side. It is most convenient to install it from the right side into the valve.



When using copper or flex connector use only approved fittings. Always provide a union when using black iron pipe so that gas line can be easily disconnected for burner or fan servicing. See gas specification for pressure details and ratings.

The gas line connection can be made of either properly tinned 3/8" copper pipe, 3/8" rigid pipe or an approved flex connector.

The gas control inlet is 3/8" N.P.T. therefore the 1/2" rigid gas line must be reduced to 3/8" N.P.T. Typical installation layout for rigid pipe is shown following. (Fig. 1)



During any pressure testing of the gas line system, when the test pressures are to exceed 1/2 psi (3.5 kpa) the fireplace and its gas valve must not be connected to that system.

At test pressures equal to or less than 1/2 psi, the gas valve of the fireplace may be connected to the gas line, but must be in the closed position.

Since some municipalities have some additional local codes, it is always best to consult your local authority and the CSA- B149 (.1 or .2) installation code in Canada.

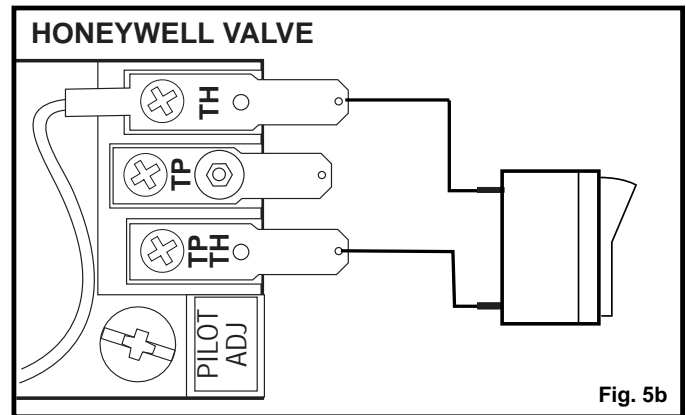
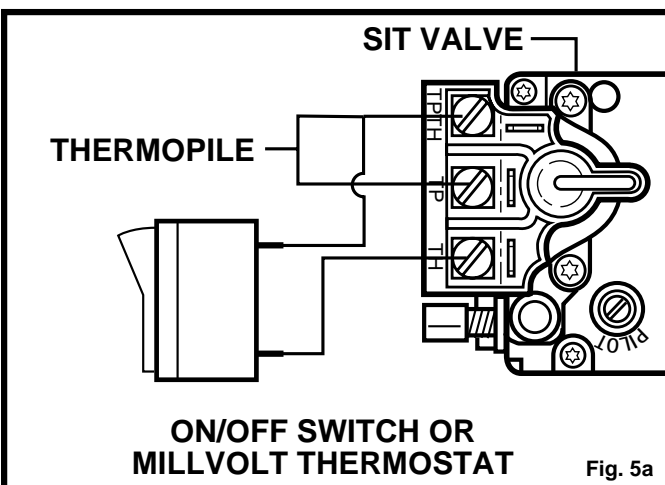
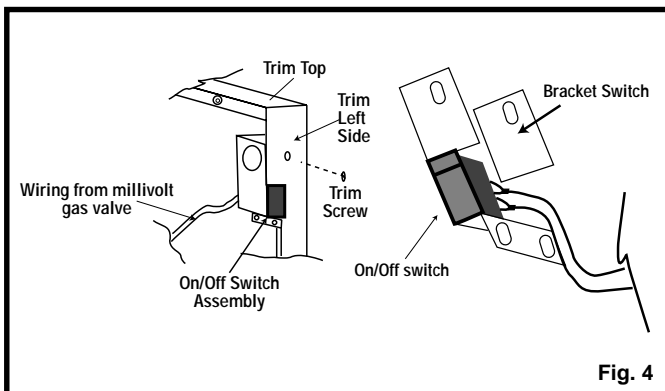
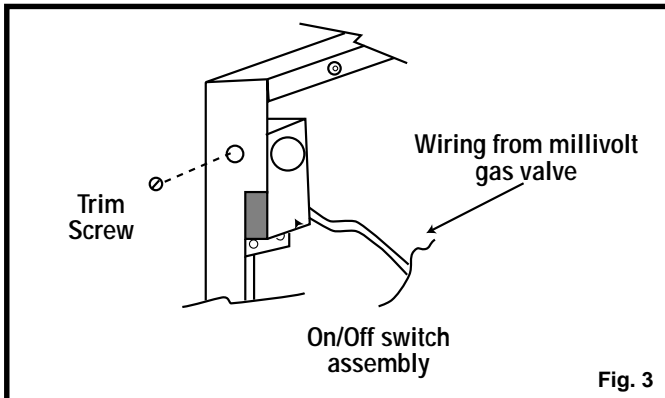
FOR U.S.A Installations consult the current National Fuel Gas Code, ANSI Z223.1



Always check for gas leaks with a mild soap and water solution. Do not use an open flame for leak testing.

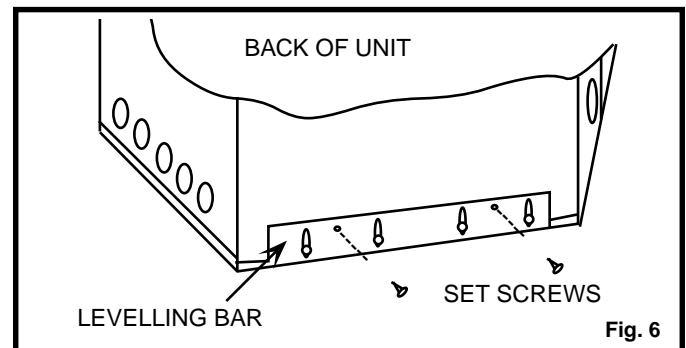
INSTALLATION OF TRIM SWITCH FOR RP GAS VALVES

1. Thread wire through openings on the right side of fireplace. Do not cut wire or insulation on metal edges.
2. Slide switch assembly from the back, between subframe and trim, then fasten the screw. (Fig. 3)
3. For left side installation reverse switch position in bracket and repeat Step 2 (Fig. 4).
4. Connect wiring to gas valve (Fig. 5a & b) and switch.



ADJUSTMENT OF LEVELLING BAR (IF REQUIRED)

1. Determine height of adjustment.
2. Loosen the four (4) screws. (Fig. 6)
3. Set bar at proper height and tighten the screws.
4. Add the two (2) extra screws to prevent any movement.



VENTING AND INSTALLATION

1. The Irving Oil fireplace may be installed in and vented through any solid fuel fireplace that has a minimum fireplace opening 28-3/4" wide x 21-1/4" high x 16" deep and has been installed in accordance with the National, Provincial/State and local building codes and is constructed of non-combustible materials.
2. Only HEDVT (8 x 12) or HEDVT (12 x 12) termination kit and flex vent kit HEDVK25 or HEDVK35 is able to be used in this installation. **Under no circumstances should B vent or C vent be used on this application.**
3. Any flue damper must be removed or blocked open.
4. The chimney must be clean and in good working order and constructed of non-combustible materials.
5. Make sure that all chimney cleanouts fit properly so air cannot leak into the chimney.
6. Install the appliance without trim frame and make all gas fittings and electrical connections.
7. Install the decorative trim frame. Please refer to the Frame Assembly instructions.



CAUTION: DO NOT WIRE MILLIVOLT REMOTE WALL SWITCH FOR GAS FIREPLACE TO A 120V POWER SUPPLY.

LINER INSTALLATION - Fig. 6



The collar extending down from the termination base is the air intake connector. Be sure the flex vent, which is connected to this collar, is also connected to the labelled air intake flue collar on the fireplace. Make sure the Flex vent is attached on the correct collar and cap for exhaust as well.

Slide the insulation provided in the termination kit over the two (2) 3" flex liners, (to be attached to the 3" Flue collar and cap of the termination). Feed one 3" flex vent from the bottom of the termination up through the 4" sleeve. Apply hi-temp sealant on the rain cap collar and slide the flex vent over the end of the rain cap collar fastening with the clamp provided. Slide the flex liner back down the 4" sleeve until 4" cap slides over the sleeve. Attach cap to the sleeve with four (4) screws supplied. Apply hi-temp sealant over the air intake collar and attach intake flex vent in the same method. Feed the two flex liners down the chimney through the damper opening. Tighten termination to the chimney using the screws provided.

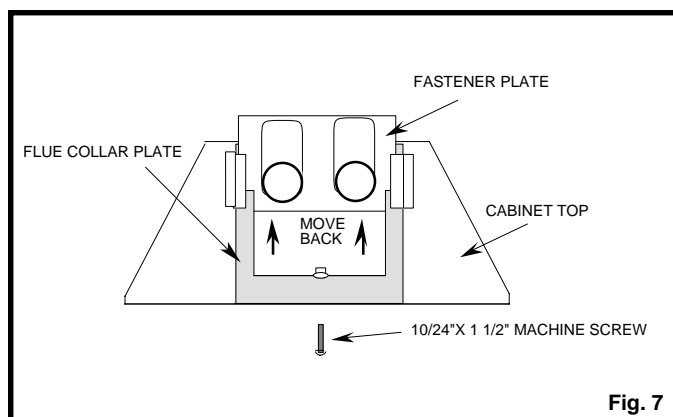
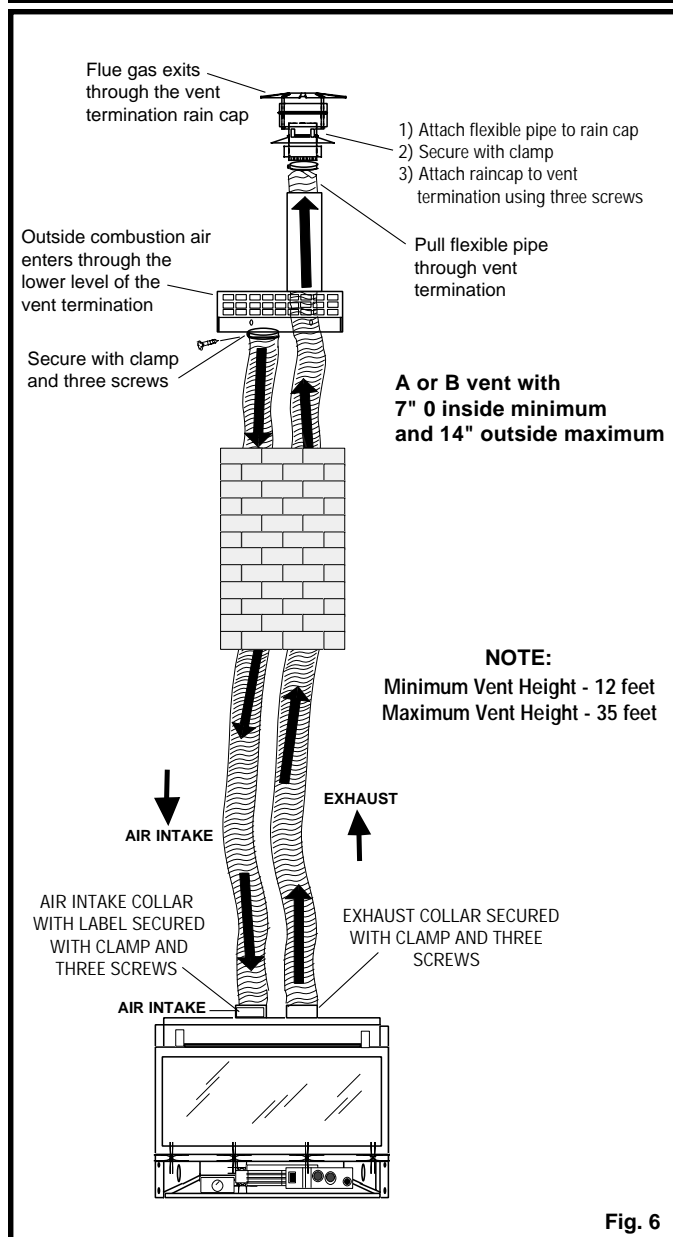
In case the fireplace opening is only minimum height 21" (533mm) and access from the front is not possible, then follow the instructions below.

1. Remove flue collar plate assembly. Unbolt the top fastener plate and move it to the back first before sliding the flue collar plate out from the top of the unit. (See Fig. 7)
2. Apply a bead of hi-temp sealant on the end of the collar before attaching the liner to the flue collar. Fasten it with two clamps then adjust fastener plate all the way to the back before sliding flue gas plate back onto the unit. (See Fig. 8 and Fig. 9).
3. After the flue collar plate is set on the cabinet top, make sure the front edge of the flue collar plate is completely in contact with the back edge of the cabinet top (See Fig. 10).
4. Put the machine screw back into the fastener plate. Bolt the plate until it is locked. (See Fig. 11).



Under no circumstances should insulation be put between the damper and the top of the unit. This may cause condensation and overheating of the unit.

VENTING DIAGRAM



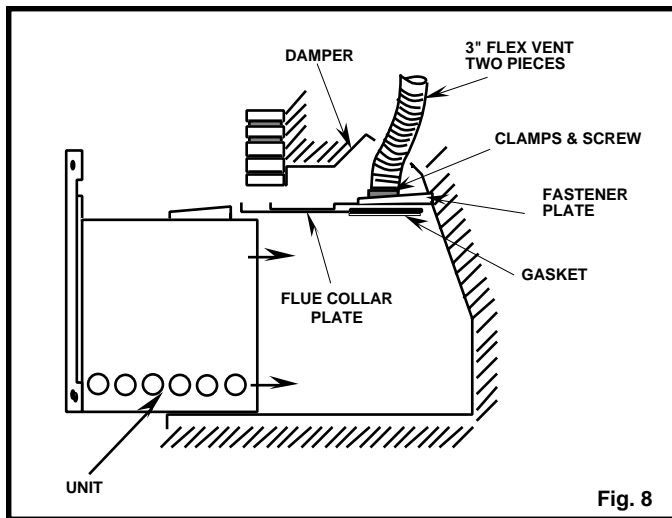


Fig. 8

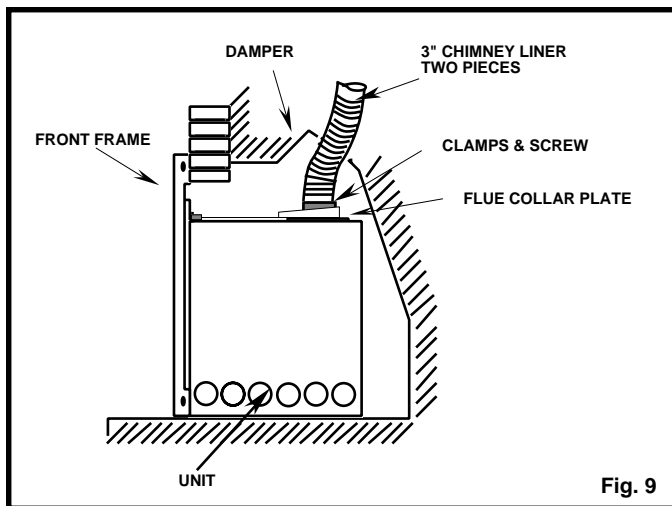


Fig. 9

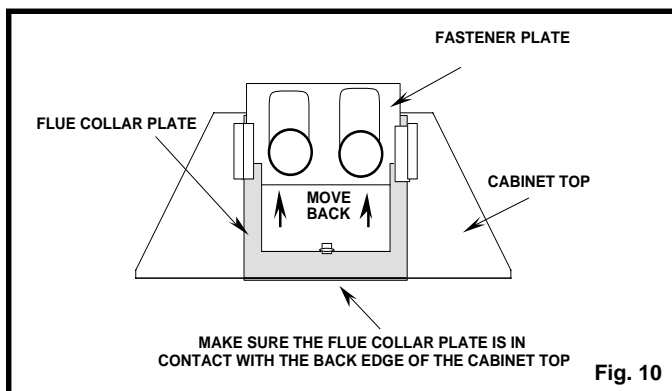


Fig. 10

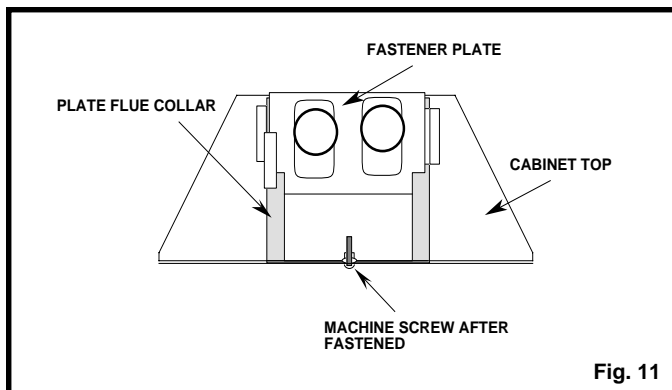


Fig. 11

10003929

FAN KIT

115 volt, 60 Hz.56W

The fan kit includes the following: fan, temperature sensor, speed control and a 6 ft. cord. The following explains how to start and set the fan for automatic operation.

1. Plug in the electrical cord.
2. Start gas fire - see lighting procedures.
3. Turn on fan speed control.
4. Wait until the unit has warmed up sufficiently to activate the temperature sensor, approximately 5-10 minutes.
5. Once fan starts, adjust speed control to desired fan speed. The fan will now automatically come on every time the fireplace is in operation. Should the fan not be needed simply turn off the speed control.



The appliance, when installed must be electrically connected and grounded in accordance with local codes or, in the absence of local codes, with the current CSA C22.1 Canadian electrical code.

For U.S.A. Installations, follow local codes and the National Electrical code, ANSI/NFPA No. 70.



Should this fan require servicing, the power supply must be disconnected. For rewiring of any replacement components see Fig. 13.

FAN REMOVAL INSTRUCTIONS

1. Turn off gas and electricity.
2. Remove the front glass.
3. Remove the logs.



CAUTION: LOGS MAY BE HOT

4. Remove burner assembly and rear log support plate.
5. Remove the fan mounting nuts (2 nuts). (Fig. 12)
6. Slip off the electrical connector at the motor.
7. Lift out the fan.
8. To reinstall reverse procedure.

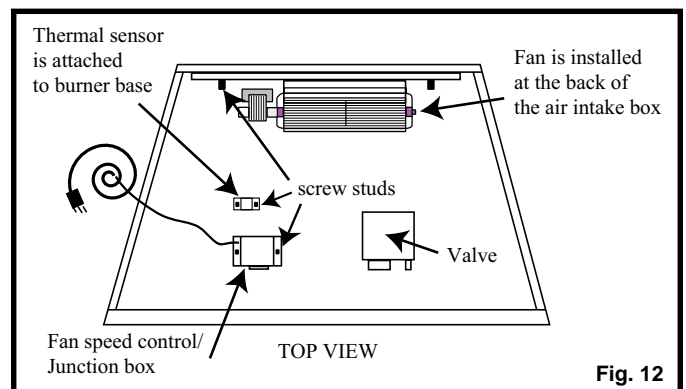


Fig. 12

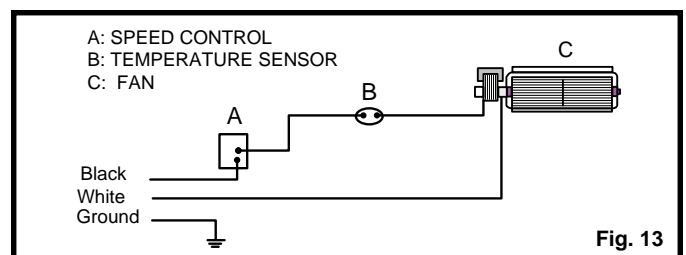


Fig. 13

OPERATING INSTRUCTIONS

GENERAL GLASS INFORMATION

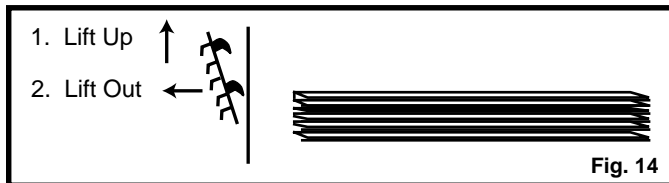


Only ceramic glass approved by Vermont Castings Majestic Products Company may be used for replacement on this unit.

1. The use of substitute glass will void all product warranties.
2. Care must be taken to avoid breakage of the glass.
3. Under no circumstances should this appliance be operated without glass properly installed, or with any cracked or broken glass. Replacement of any glass assembly as supplied by the manufacturer should be done by a licenced qualified service person.

LOUVRE REMOVAL

To remove louvre pull louvre up and then lift out.



GLASS CLEANING

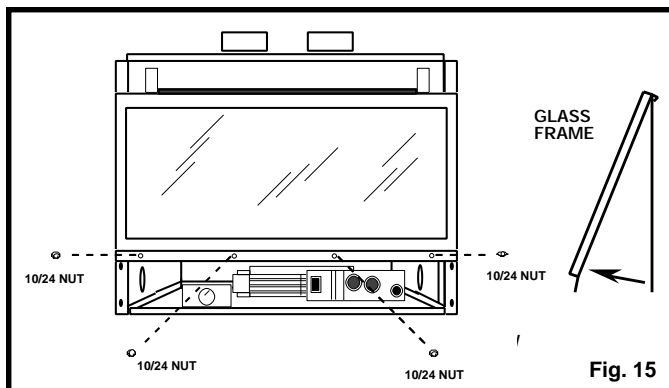
It will be necessary to clean the glass periodically. During start-up condensation, which is normal, forms on the inside of the glass and causes lint, dust and other airborne particles cling to the glass surface. Also initial paint curing may deposit a slight film on the glass. It is therefore recommended that the glass be cleaned two or three times with a non-ammonia household cleaner and warm water (we recommend gas fireplace glass cleaner). After that the glass should be cleaned two or three times during each heating season depending on the circumstances present.



Clean glass after first two weeks of operation.

GLASS FRAME REMOVAL

1. Remove four (4) bottom fastening nuts with a 3/8" nut driver. Fig. 15.
2. Lift up and unhook glass frame at the top.

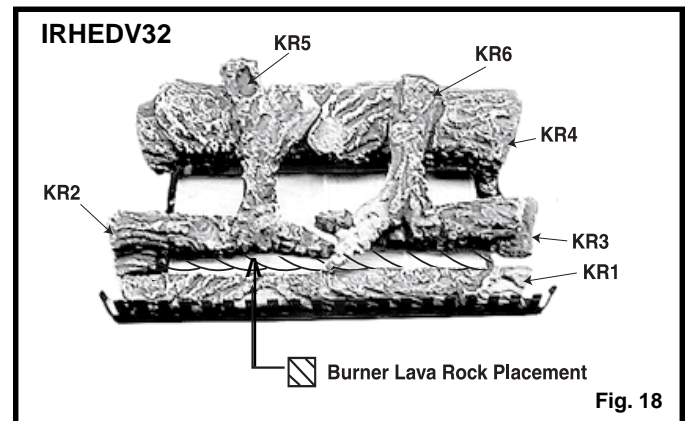


INSTALLATION OF LOGS & BURNER LAVA ROCK

1. Remove front glass. (See "Glass Removal" section)
2. Remove logs from packaging.
3. Place rear log (KR4) on rear bracket (ensure log is seated properly, leveled and centered to the unit), so it will not move from side to side and it is firmly positioned on the bracket.
4. Slip front ember log (KR1) down in the front deflector.
5. Place front left log (KR2) on top burner, left side. Use log's bottom holes to locate it into the left bracket log locator studs.
6. Place front right log (KR3) on top of burner, right side. Use log's bottom holes to locate it into the right bracket log locator studs.
7. Place burner lava rocks material on top of burner. (See Fig. 16 for proper location).
8. Place top right log (KR6) onto locator notches. Ensure log is secure.
9. Place top left log (KR5) onto locator notches. Ensure log is secure.



Top logs must be placed properly into notches.



LARGE LAVA ROCK PLACEMENT

The large lava rock provided with this fireplace must be placed on the firebox base on either side of the burner assembly.



Under no circumstances should these lava rock be placed on top of the burner assembly.

CERAMIC REFRACTORY INSTALLATION

1. Remove front glass.
2. Remove logs from unit.
3. Remove refractory from package

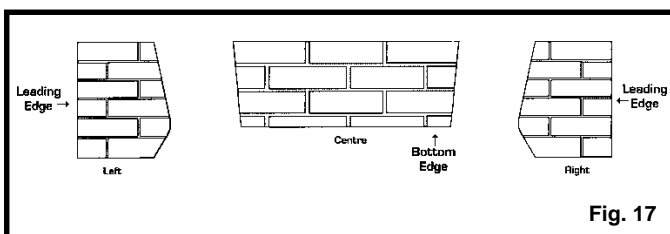


Refractory are fragile and must be handled with care. Where at all possible, two hands should be used when handling.

4. Take centre refractory and tilt so bottom edge slides into support angle in back of fireplace. Fig. 17.
5. Now press centre refractory to back side of fireplace and hold in place.
6. Take left or right refractory and align it so leading edge faces outward. (Place refractory in fireplace side and slide it forward into side support angle on fireplace front. Leading edge of refractory must be completely behind side support angle of IRHEDV32 for proper placement).
7. Now carefully slide in back side of refractory against fireplace side.
8. Repeat steps 6 and 7 for remaining side refractory.



When side refractory is installed correctly, the centre refractory will be supported by the side refractory.



MAINTENANCE

- a. It is important to keep the burner and the burner compartment clean. This must be done periodically, at least once per season. (See Cleaning Procedure).
- b. Clean the brass trim using a soft clean cloth, slightly dampened with lemon oil and buff with a soft clean cloth. Do **NOT** use brass polish or household cleaners as these products will damage the brass trim. Lemon oil can be obtained at supermarkets or hardware stores.
- c. The FK24 Fan requires periodic cleaning. Check the area under the control door in front of the fan assembly and wipe or vacuum at least once per month during the operating season.
- d. Contact your local representative to arrange an annual service program.

CLEANING PROCEDURE

1. Turn off pilot light at gas valve.
2. Remove front glass.
3. Remove logs.

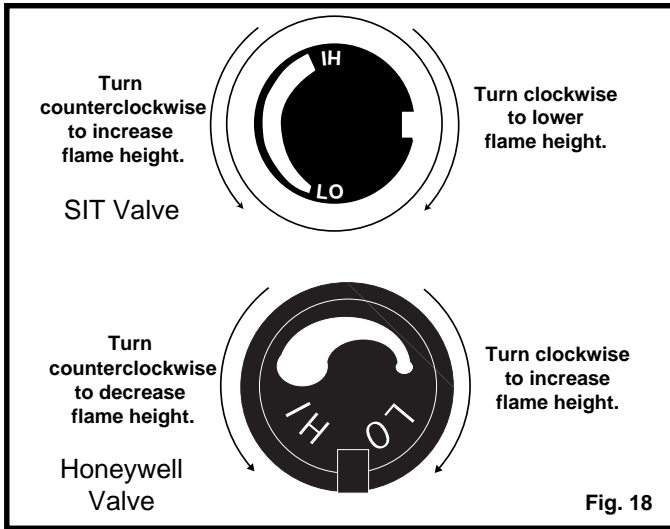


CAUTION: LOGS MAY BE HOT

4. Vacuum burner compartment especially around orifice/primary air openings.
5. Reinstall logs.
6. Check pilot and main burner operation.
7. Reinstall front glass.
8. Recheck pilot and main burner operation.
9. Check visually the flame pattern and compare with Fig. 20.

FLAME ADJUSTMENT

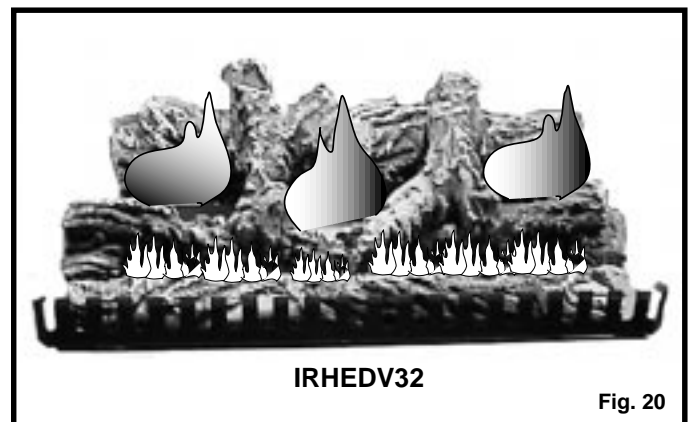
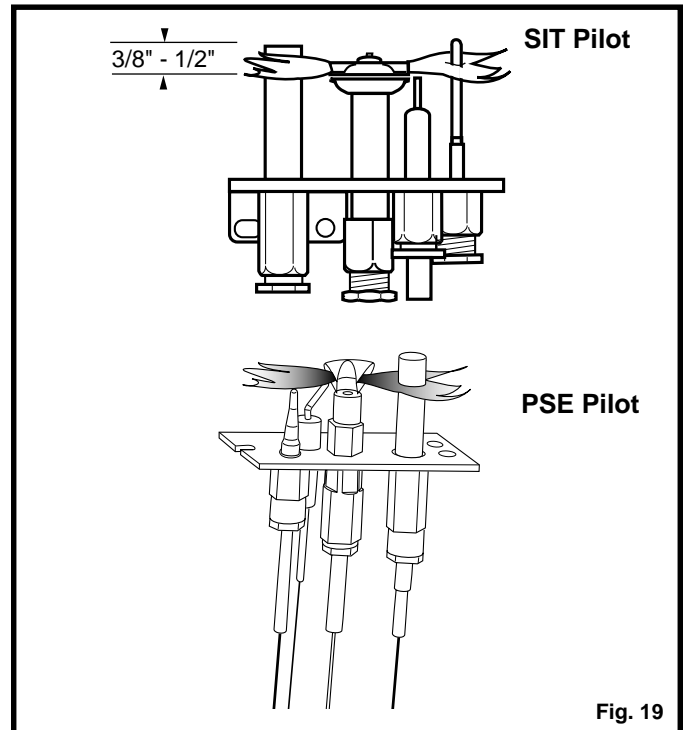
Flame adjustment is accomplished by rotating the Hi/Lo adjustment knob located near the centre of the gas control. (Fig. 18)



FLAME CHARACTERISTICS



It is important to periodically perform a visual check of the pilot and the burner flames. Compare them to the pictorials illustrated below (Fig.19 and 20). If any of the flames appear abnormal call a service person.



LIGHTING AND OPERATING INSTRUCTIONS

FOR YOUR SAFETY READ BEFORE LIGHTING

WARNING: If you do not follow these instructions exactly, a fire or explosion may result causing property damage, personal injury or loss of life.

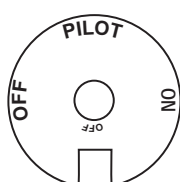
- A. This fireplace has a pilot which must be lit manually. When lighting the pilot follow these instructions exactly.
 - B. BEFORE LIGHTING smell all around the fireplace area for gas. Be sure to smell next to the floor because some gas is heavier than air and will settle on the floor.
- WHAT TO DO IF YOU SMELL GAS
- Do not try to light any fireplace.
 - Do not touch any electric switch
 - Do not use any phone in your building
 - Immediately call your gas supplier from a neighbor's phone. Follow the gas supplier's instructions.
- C. If you cannot reach your gas supplier, call the Fire Department
 - D. Do not use this fireplace if any part has been under water. Immediately call a qualified service technician to inspect the fireplace and to replace any part of the control system and any gas control which has been under water.

LIGHTING INSTRUCTIONS

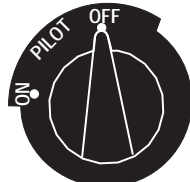
1. STOP! Read the safety information above on this label.
2. Turn off all electrical power to the fireplace.
3. For MN/MP/TN/TP appliances ONLY, go on to Step 4. For RN/RP appliances turn the On/Off switch to off position or set thermostat to lowest level.
4. Open control access panel.
5. Push in gas control knob slightly and turn clockwise to "OFF". Do not force.



EURO SIT

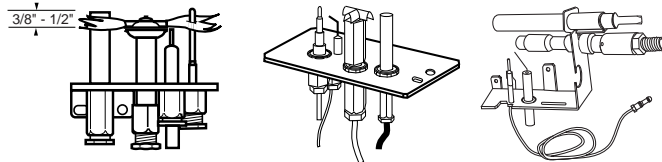


SIT NOVA



HONEYWELL

6. Wait five (5) minutes to clear out any gas. Then smell for gas, including near the floor. If you smell gas, **STOP!** Follow "B" in the safety information above on this label. If you don't smell gas, go to the next step.
7. Remove window frame assembly before lighting pilot. (See Window Frame Assembly Removal in manual).
8. Visibly locate pilot by the main burner.
9. Turn knob on gas control counterclockwise to "PILOT".
10. Push the control knob all the way in and hold. Immediately light the pilot by repeatedly depressing the piezo spark ignitor until a flame appears. Continue to hold the control knob in for about one (1) minute after the pilot is lit. Release knob and it will pop back up. Pilot should remain lit. If it goes out, repeat steps 5 through 8.
11. Replace window frame assembly.
12. Turn gas control knob to "On" position.
13. For Rn/RP appliances turn the On/Off switch to "On" position or set thermostat to desired setting.
14. Turn on all electrical power to the fireplace.



- If knob does not pop up when released, stop and immediately call your service technician or gas supplier.
- If after several tries, the pilot will not stay lit, turn the gas control knob to "OFF" and call your service technician or gas supplier.

TO TURN OFF GAS TO FIREPLACE

1. Turn the On/Off switch to Off position or set the thermostat to lowest setting.
2. Turn off all electric power to the fireplace if service is to be performed.
3. Open control access panel.
4. Push in gas control knob slightly and turn clockwise to "OFF". Do not force.
5. Close control access panel.

TROUBLE SHOOTING THE GAS CONTROL SYSTEM

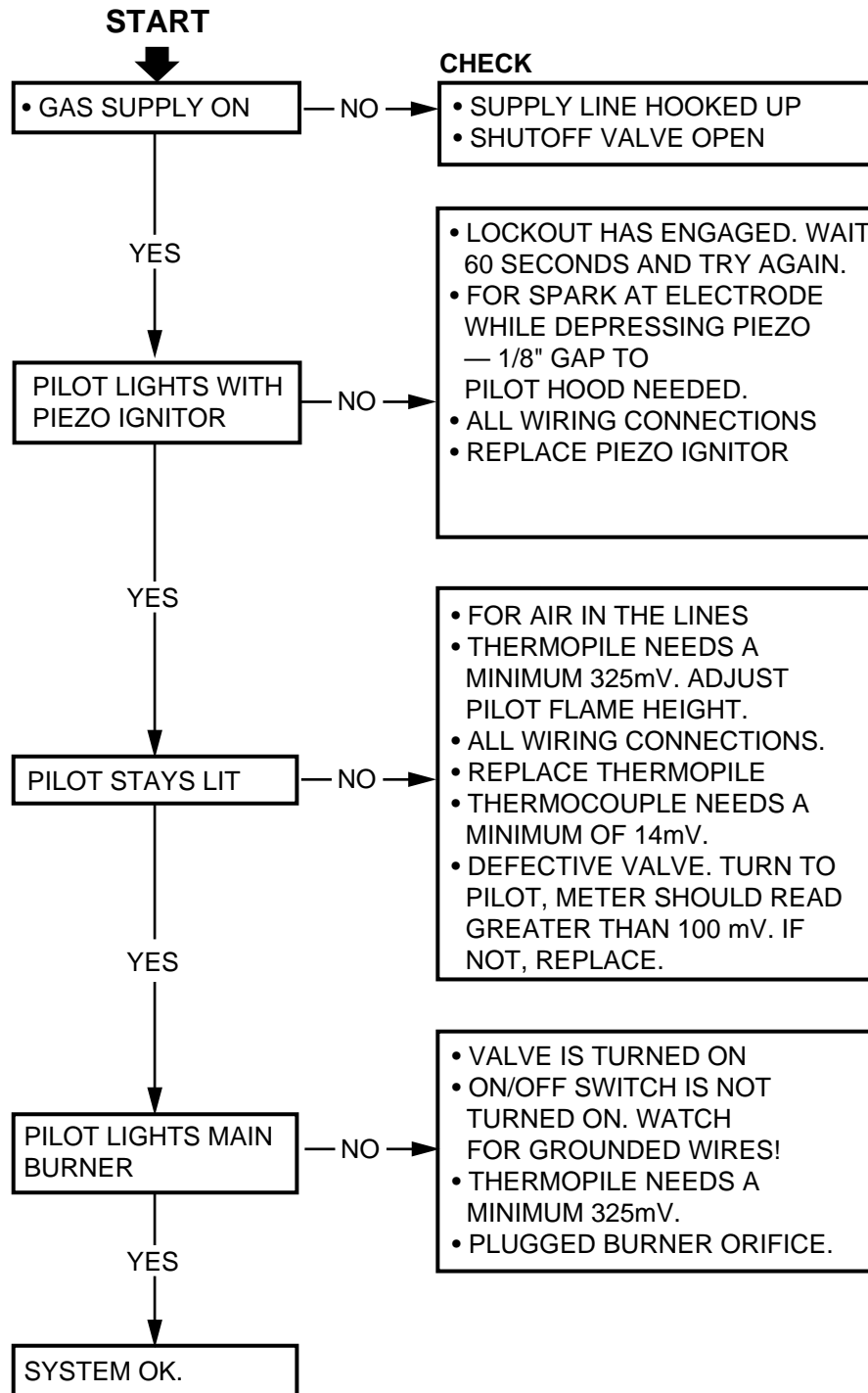
SIT 820 MILLIVOLT VALVE

Note: Before trouble shooting the gas control system, be sure external gas shut off is in the "On" position.
WARNING: BEFORE DOING ANY GAS CONTROL SERVICE WORK, REMOVE GLASS FRONT.

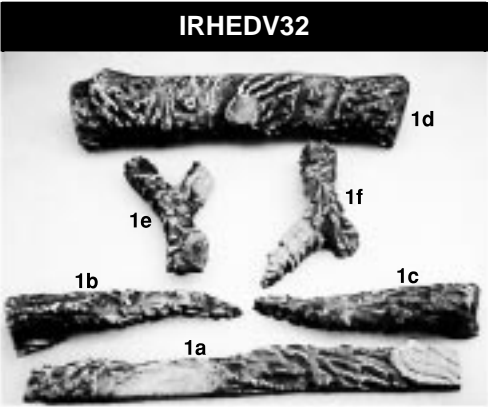
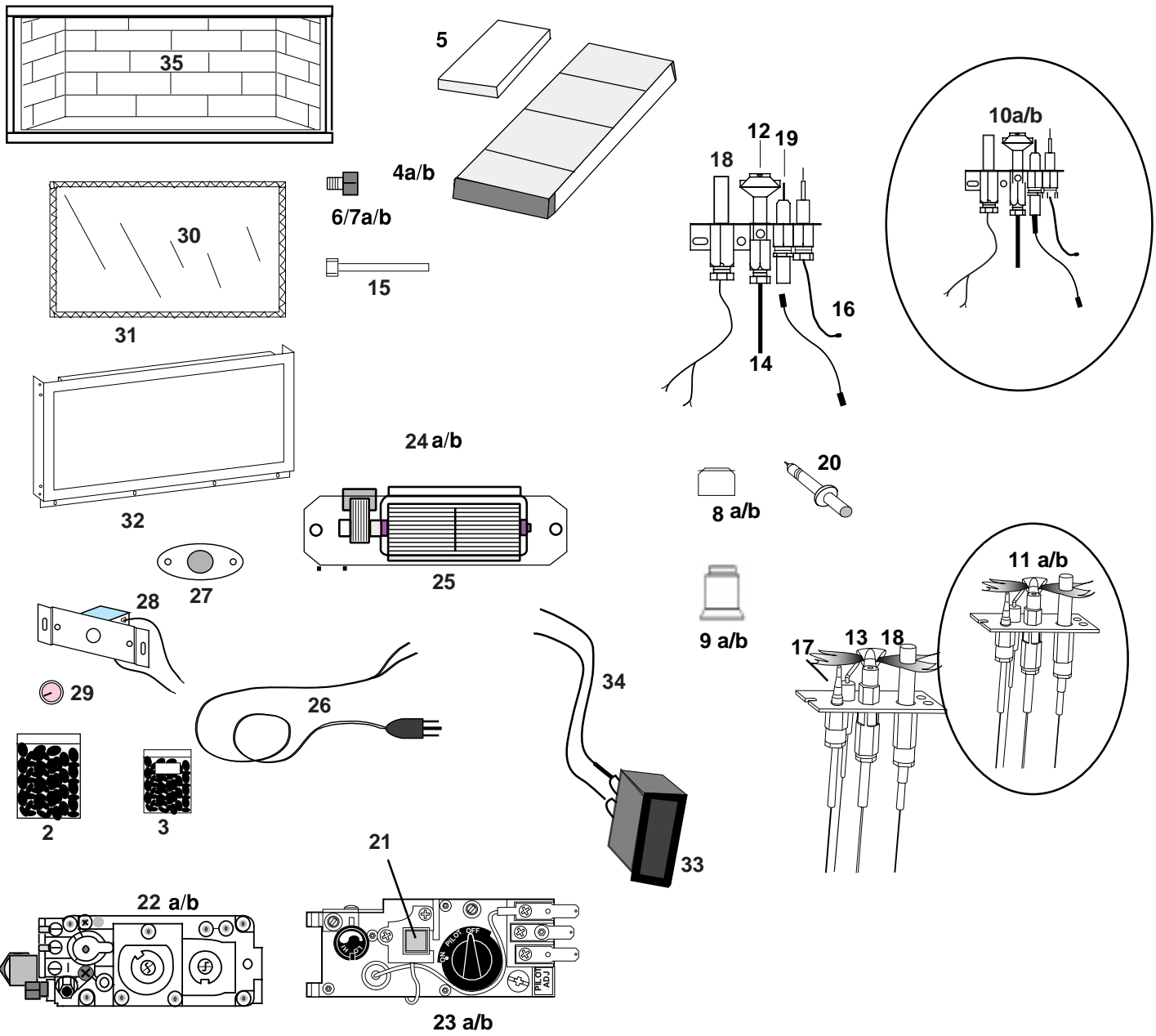
SYMPTOM	POSSIBLE CAUSES	CORRECTIVE ACTION
1. Spark ignitor will not light	A. Defective or misaligned electrode at pilot.	Using a match, light pilot. If pilot lights, turn off pilot and push the red button again. If pilot will not light - check gap at electrode and pilot-should be 1/8" to have a strong spark.
	B. Defective ignitor (Push Button)	Push Piezo Ignitor Button. Check for spark at electrode and pilot. If no spark to pilot, and electrode wire is properly connected, replace ignitor.
2. Pilot will not stay lit after carefully following lighting instructions.	A. Defective pilot generator (thermocouple), remote wall switch.	1. Check pilot flame. Must impinge on thermocouple/thermopile. Note: this pilot burner assembly utilizes both a thermocouple and a thermopile. The thermocouple operates the main valve operation (On and Off). Clean and or adjust pilot for maximum flame impingement on thermopile and thermocouple.
	B. Defective automatic valve operator.	Turn valve knob to "Pilot". Maintain flow to pilot; millivolt meter should read greater than 10 mV. If the reading is okay and the pilot does not stay on, replace the gas valve. Note: An interrupter block (not supplied) must be used to conduct this test.
3. Pilot burning, no gas to burner, Valve knob "ON", Wall Switch "ON".	A. Wall switch or wires defective.	Check wall switch and wires for proper connections. Jumper wire across terminals at wall switch, if burner comes on, replace defective wall switch. If okay, jumper wires across wall switch wires at valve, if burner comes on, wires are faulty or connections are bad.
	B. Thermopile may not be generating sufficient millivoltage.	1. Be sure wire connections from thermopile at gas valve terminals are tight and thermopile is fully inserted into pilot bracket. 2. One of the wall switch wires may be grounded. Remove wall switch wires from valve terminals if pilot now stays lit, trace wall switch wiring for ground. May be grounded to appliance or gas supply. 3. Check thermopile with millivolt meter. Take reading at thermopile terminals of gas valve. Should read 325 millivolts minimum while holding valve knob depressed in pilot position and wall switch "Off". Replace faulty thermopile if reading is below specified minimum.
	C. Plugged burner orifice.	Check burner orifices for debris and remove.
	D. Defective automatic valve operator.	Turn valve knob to "On", place wall switch to "On" millivolt meter should read greater than 100 mV. If the reading is okay and the burner does not come on, replace the gas valve.
4. Frequent pilot outage problem.	A. Pilot flame may be too low or blowing (high) causing the pilot safety to drop out.	Clean and/or adjust pilot flame for maximum flame impingement on thermopile and thermocouple.
	B. Possible leak in liner or seals.	Check the venting for leaks or blockage.

TROUBLE SHOOTING THE GAS CONTROL SYSTEM

HONEYWELL MILLIVOLT VALVE



REPLACEMENT PARTS



REPLACEMENT PARTS LIST

	Description	IRHEDV32
1	Log Set Complete	57896
1a	Log Ember Front	KR1
1b	Log Front Left	KR2
1c	Log Front Right	KR3
1d	Log Rear	KR4
1e	Log Top Left	KR5
1f	Log Top Right	KR6
2	Lava Rock (Package)	10001454
3	Burner Lava Rock (Package)	57897
4a	Burner Complete With Tiles (Nat.)	10000198
4b	Burner Complete With Tiles (Prop.)	57904
5	Ceramic Tile (Single)	57803
6a	Orifice Front Burner (Nat.)	SEE RATING PLATE FOR ORIFICE SIZE
6b	Orifice Front Burner (Prop.)	SEE RATING PLATE FOR ORIFICE SIZE
7a	Orifice Main Burner (Nat.)	SEE RATING PLATE FOR ORIFICE SIZE
7b	Orifice Main Burner (Prop.)	SEE RATING PLATE FOR ORIFICE SIZE
8a	Orifice Pilot SIT (Nat.)	54273
8b	Orifice Pilot SIT (Prop.)	54272
9a	Orifice Pilot PSE (Nat.)	10001822
9b	Orifice Pilot PSE (Prop.)	10001823
10a	Pilot Assembly SIT (Nat.)	10000674
10b	Pilot Assembly SIT (Prop.)	10000675
11a	Pilot Assembly PSE (Nat.)	10001741
11b	Pilot Assembly PSE (Prop.)	10001742
12	Pilot SIT	10001295
13	Pilot w/ignitor and cable PSE	10001824
14	Pilot Tubing w/fittings	10001296
15	Manifold Tubing w/fittings	57318
16	Thermocouple SIT	53373
17	Thermocouple PSE	10001825
18	Thermopile	51827
19	Electrode Ignitor w/cable SIT	10001297
20	Ignitor Piezo SIT	52464
21	Ignitor Piezo Honeywell	2000062
22a	Valve Sit 820 RN	52677
22b	Valve Sit 820 RP	52678
23a	Valve Honeywell RN	10001782
23b	Valve Honeywell RP	10001759
24a	Valve Eurosit 630 TN	53448
24b	Valve Eurosit 630 TP	53446
25	Fan with Bracket	54103
26	Electrical Cord (6 ft)	51865
27	Fan Temperature Sensor	51704
28	Speed Control	51738
29	Speed Control Knob	51882
30	Glass with Gasket	10003244
31	Gasket Glass	57316
32	Frame Window	57192
33	Remote Switch	53606
34	Remote Wire Harness with Terminals	57265
35	Ceramic Refractory Kit	10000230

A-TRIM OPTIONS FOR RHEDV32

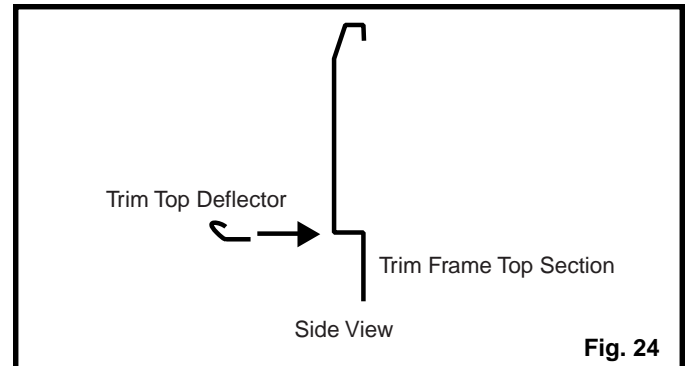
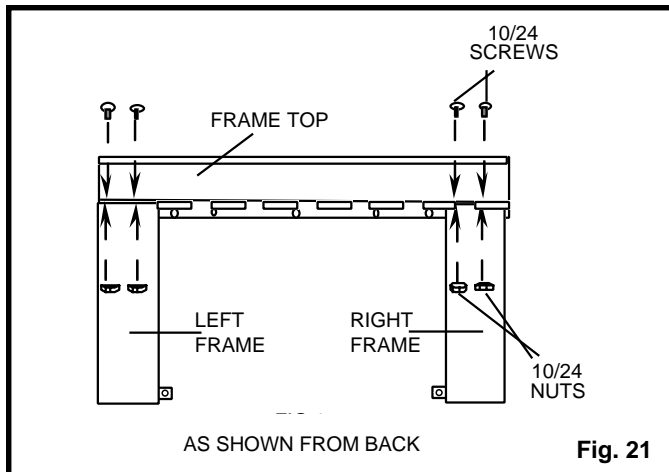
IMPORTANT: Only Trim Panel Assemblies approved by Vermont Castings Majestic Products Company can be used.

A1) RHESS, RHESL, RHESSD, RHESLD & RHESSL TRIMS

FRAME ASSEMBLY

RHESS, RHESL, RHESSD, RHESLD and RHESSL

1. Lay Trim Top Facing and Trim Side Facings, face down on to an even surface such as a table or floor. Be sure not to scratch the painted surfaces.
2. Install the nuts and bolts (Fig. 21).



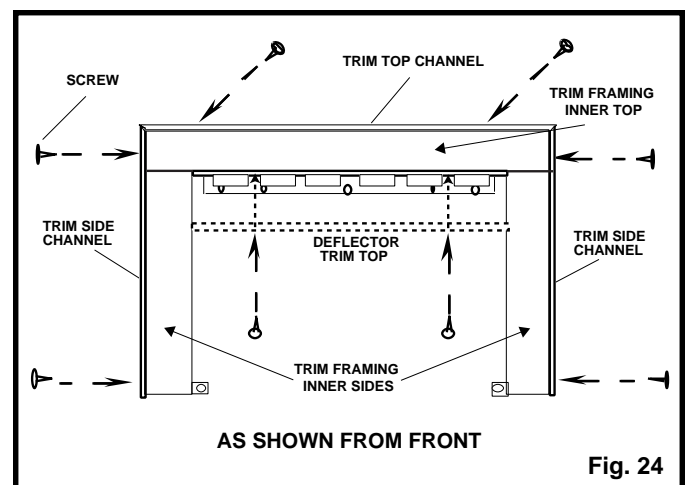
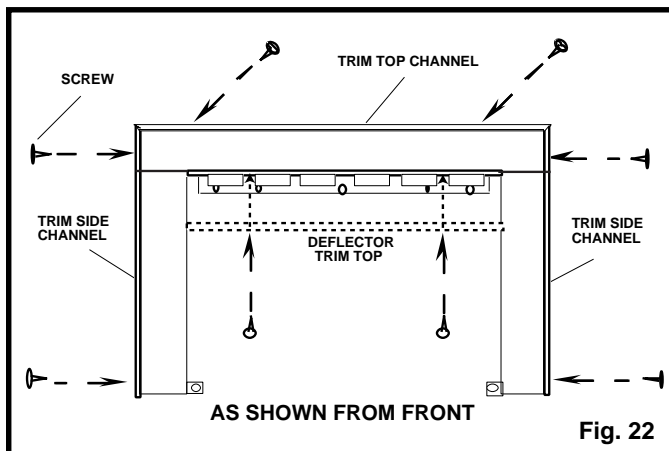
RHESSD and RHESLD (Fig. 24)

1. Install trim channels (left and right sides). Use two screws to assemble each piece.
2. Peel off plastic protective covering from top edges of the inner sides where they will be covered by the inner top trim facing.
3. Place the trim facing inner top in place (do not fasten it yet). Peel off the plastic protective covering from the bottom edge.
4. Install the trim top deflector and fasten it (will hold the inner top piece). Use two screws to assemble them.
5. Install trim channels (left and right sides). Use two screws to assemble each piece.
6. Slide on the trim top channel and fasten it from the back side.
7. Remove **ALL** plastic protective covering from brass trim.

TRIM ASSEMBLY

RHESS, RHESL, and RHESSL (Fig. 22)

1. Install trim channels (left and right sides). Use two screws to assemble each piece.
2. Slide on the trim top channel and fasten it from the back side.
3. Install the trim top deflector and use two screws to fasten it. (Fig. 22 & 23)
4. Remove **ALL** plastic protective covering from brass trim.



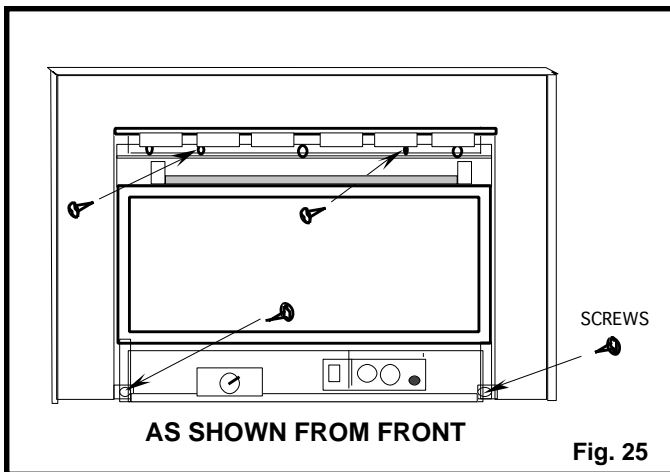
A flat louvre kit OR a bay window kit needs to be chosen to complete the installation.

FRAME MOUNTING

GENERAL INFORMATION

The Decorative Front Frame should be installed last after all other work, such as gas connections, venting, etc., has been completed and thoroughly checked and tested for operation, leaks and proper installations requirements.

Fit Decorative Frame to the fireplace and fasten (Fig. 25).



Plastic on the trim must be removed before mounting onto the fireplace.



Glass must be tightly pressed against the front of the frame in order to prevent screws from damaging glass edges.

TRIM REPLACEMENT PARTS LIST

All repair parts will be available from your local dealer.

When ordering, always give the following information: Model and serial number, part description with finish and part number;

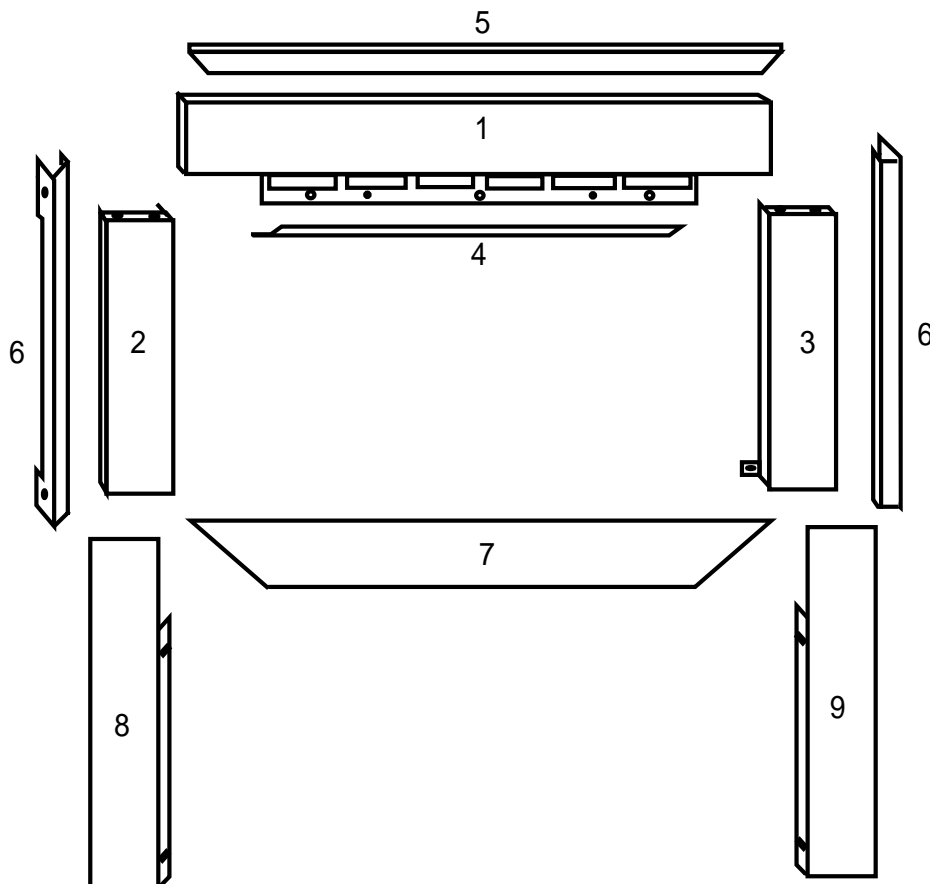
KEY	DESCRIPTION	RHESS ⁽²⁾	RHESL ⁽³⁾	RHESSD ⁽³⁾	RHESLD ⁽³⁾	RHESXL ⁽⁴⁾
1	Trim Frame Top, Flat Black	57929	57932	57929	57932	57935
2	Trim Frame Left, Flat Black	57927	57930	57927	57930	57933
3	Trim Frame Right, Flat Black	57928	57931	57928	57931	57934
4	Trim Top Deflector ⁽¹⁾	17634	17634	17634	17634	17634
5	Trim Top Channel ⁽¹⁾	50586	50587	17611	17612	52787
6	Trim Side Channel Left ⁽¹⁾	50589	50590	17623	17624	52788
7	Trim Facing Inner Top ⁽¹⁾	-	-	17609	17610	-
8	Trim Facing Inner Left ⁽¹⁾	-	-	17620	17619	-
9	Trim Facing Inner Right ⁽¹⁾	-	-	17622	17621	-
10	Fasteners Package (Not Shown)	55043	55043	55043	55043	55043

⁽¹⁾ **Specify Finish** (Antique or Polished Brass)

⁽²⁾ SS and SSD trim dimensions are for openings smaller than 26^{1/2}"H x 38" W (673mm x 965mm)

⁽³⁾ SL and SLD trim dimensions are for openings smaller than 29"H x 41" W (736mm x 1040mm)

⁽⁴⁾ SXL trim dimensions are for openings smaller than 32"H x 43" W (813mm x 1092mm)

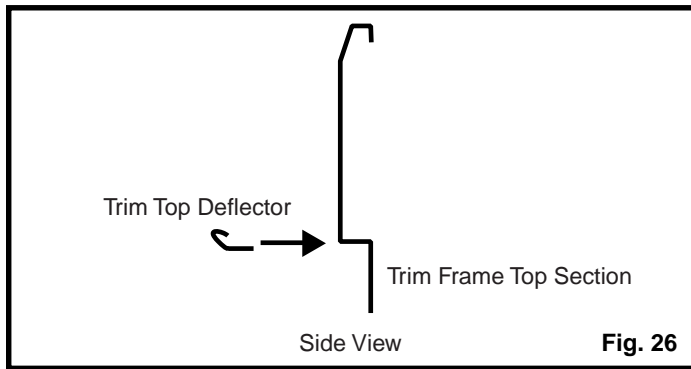


A2) RHEBSL & RHEBXL TRIMS

TRIM ASSEMBLY

RHEBSL

1. Install trim channels (left and right sides). Use two screws to assemble each piece.
2. Slide on the trim top channel and fasten it from the back side.
3. Install the trim top deflector and use two screws to fasten it. (Fig. 26)
4. Remove ALL plastic protective covering from brass trim.



RHEBXL

To install the kit you do not have to remove any piece of brass, you just add the external pieces.

Remove the frame trim from the unit if it is already installed.

1. Install trim channels (left and right sides) by removing the two screws that hold the side brass trim and put them back to hold both parts.
2. Slide on the trim top channel and fasten it from the back side.
3. Remove the two screws that hold the top brass trim.
4. Install the two brackets to the studs in the bottom of the top channel. Use the nuts supplied with the kit.
5. Reinstall the two screws to hold the top trim channel.

TRIM REPLACEMENT PARTS LIST

ALL repair parts will be available from your local dealer.

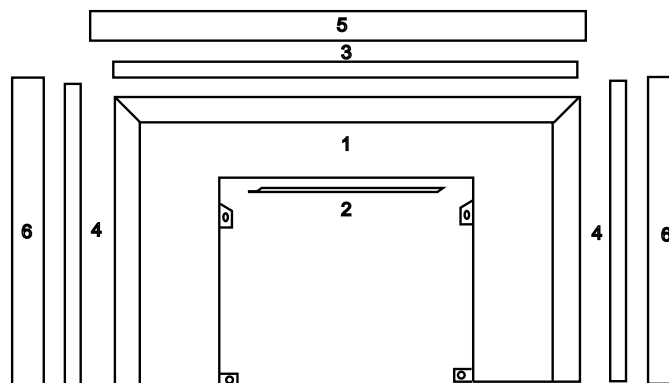
When ordering, always give the following information: Model and serial number, part description with finish and part number;

KEY	DESCRIPTION	RHEBSLP	RHEBSLA	RHEBXL ⁽¹⁾	RHEBXL ⁽¹⁾
1	Trim Frame Flat Black	57926	57926	-	-
2	Trim Top Deflector	17634-PB	17634-AB	-	-
3	Trim Top Channel	57864	57844	-	-
4	Trim Side Channel	57862	57843	-	-
5	Trim Outer Top Channel	-	-	57861	57845
6	Trim Outer Side Channel	-	-	57863	57846
7	Fasteners Package (Not Shown)	54618	54618	57633	57633

⁽¹⁾ RHEBXL⁽¹⁾ or RHEBXL⁽¹⁾ to be used with RHEBSLP or RHEBSLA trims.

⁽²⁾ SL trim dimensions are for openings smaller than 27^{1/2}"H x 40^{1/2}" W (700mm x 1030mm)

⁽⁴⁾ XL trim dimensions are for openings smaller than 30"H x 45^{5/8}" W (765mm x 1160mm)



A3) RHEFA and RHEFP TRIMS

TRIM ASSEMBLY

1. Remove the front glass (see "Glass Frame Removal" section).
2. Install support window trim channel, top and bottom brass trim by using the shortest black screw. (Fig. 43 & 44).

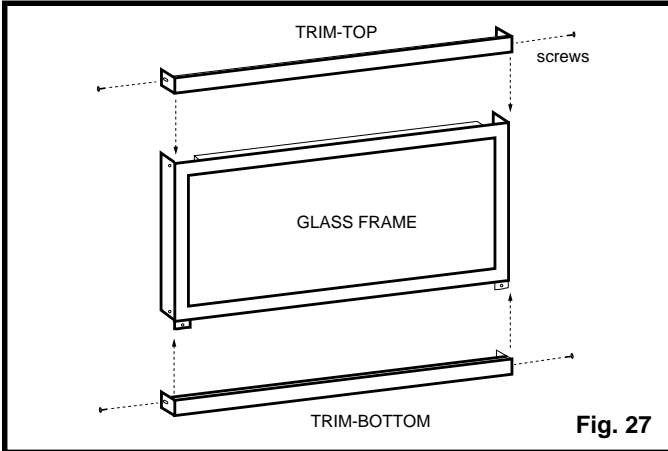


Fig. 27

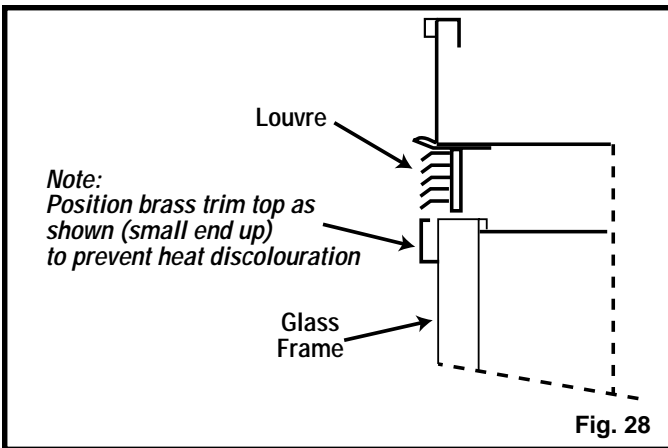


Fig. 28

3. Install bottom decorative plate by simply sliding it under the unit floor. No fastening is required for this installation (See Fig. 45). Be sure to remove protective cover.
4. Install the bottom louvre assembly by fastening the hinges with four screws to the pre-punched holes in the cabinet.
5. Re-install the front glass.
6. Install the top louvre by using the hooks to hang it in place.

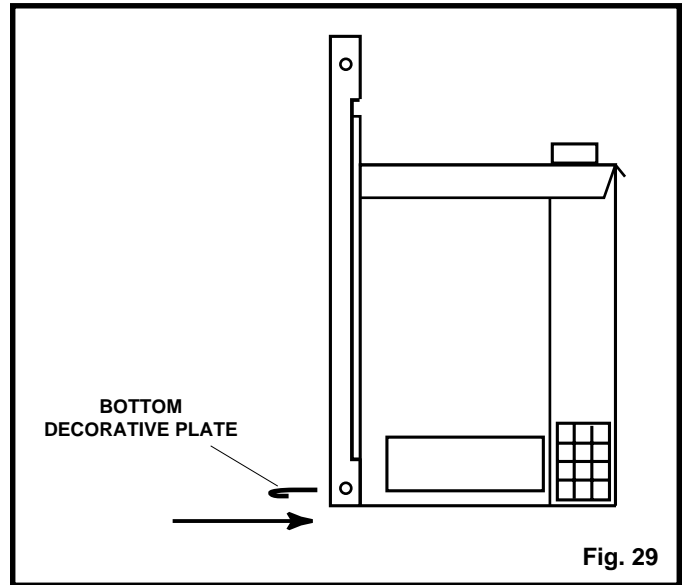


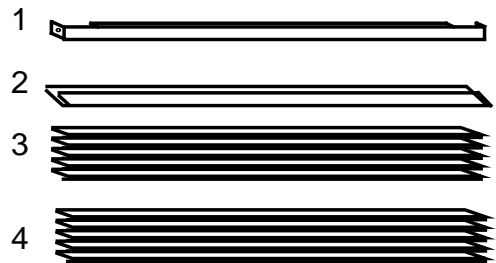
Fig. 29

TRIM REPLACEMENT PARTS LIST

ALL repair parts will be available from your local dealer.

When ordering, always give the following information: Model and serial number, part description with finish and part number;

KEY	DESCRIPTION	RHEFA	RHEFP
1	Trim Window Top/Bottom	52624-AB	52624-PB
2	Plate Decorative Bottom	17597-AB	17597-PB
3	Top Louvre Assembly	57905	57905
4	Bottom Louvre Assembly	57906	57906
5	Hinge	52356	52356
6	Fateners Package (Not Shown)	57916	57916



A4) HEBTKP, HESBTKP, HECBTK, HECBTKMB & HEBTA TRIMS

HECBTK	-	Cast bay window and grills in classic black trim kit
HECBKMB	-	Cast bay window and grills in midnight black porcelain enamel trim kit
HESBTKP	-	Steel bay window with polished brass and cast grills in classic black trim kit
HEBTKP	-	Steel bay window and bay louvres with polished brass trim kit

Install the bay window after all other installation work has been completed, thoroughly checked, and tested for operation, leaks and proper installation requirements.



DO NOT REMOVE EXISTING GLASS WITH FRAME

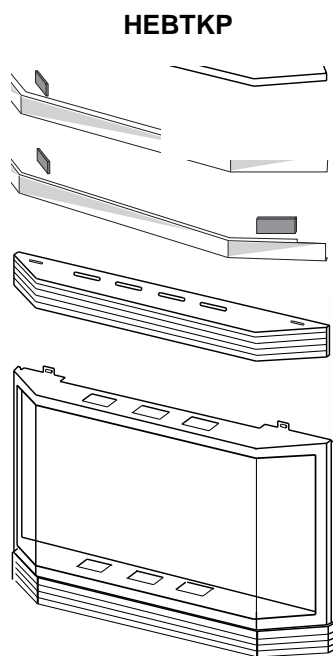


Fig. 30

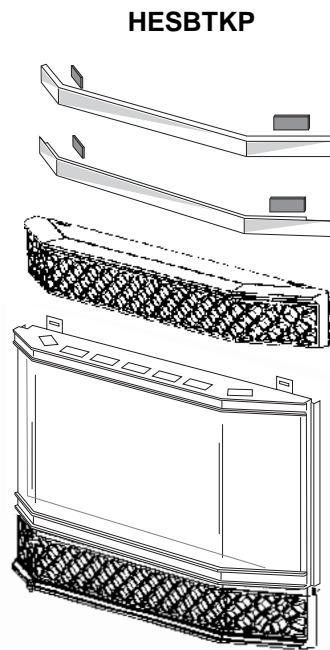


Fig. 31

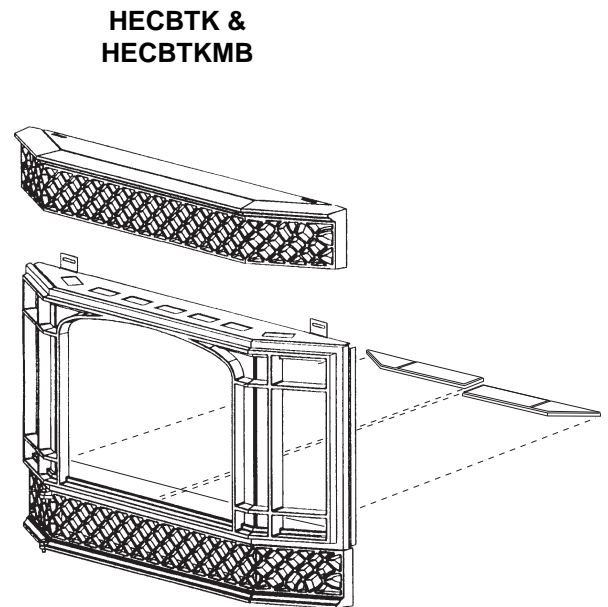


Fig. 32

HECBTKP, HECBTKMB and HESBTKP Trim Assembly

- 1) Reposition controls.
 - a) Remove the Fan Speed Control Box (Fig. 33)
 - b) Attach the Fan Speed Control Box to the Bracket (Fig. 34) and install the Bracket into the Cabinet.
Only for RN/RP VALVE units:
 - c) Install the Control Knobs Extensions onto the appropriate Control Valve Knobs (Fig. 35)



On units fitted with a Honeywell brand control valve the location of the control knobs and the ignitor button may vary slightly from those shown in Fig. 35. The Honeywell extension pieces are visually different in design and are not interchangeable with the RN/RP knobs shown in Fig. 35.

- 2) Install the hanging brackets, as per Fig. 36.
- 3) Install the two ceramic pieces inside the bay window, as per Fig.32.
- 4) Install the bay window by hanging it onto the lower tabs of the hanging brackets, as per Fig. 37.
- 5) Install the upper grill by engaging the obround holes with the upper tabs of the hanging brackets, as per Fig. 38.
- 6) Install brass trim to the steel frame as per Fig. 39 (Only for HESBTKP trim)

HEBTKP Trim Assembly

- 1) Reposition controls.
 - a) Remove the Fan Speed Control Box (Fig. 33).
 - b) Attach the Fan Speed Control Box to the Bracket (Fig. 34) and install the Bracket into the Cabinet.
Only for RN/RP VALVE units.
 - c) Install the Control Knobs Extensions onto the appropriate Control Valve Knobs (Fig. 34).



On units fitted with a Honeywell brand control valve the location of the control knobs and the ignitor button may vary slightly from those shown in Fig. 35. The Honeywell extension pieces are visually different in design and are not interchangeable with the RN/RP knobs shown in Fig. 35.

- 2) Install the hanging brackets, as per Fig. 36.
- 3) Install bracket on each side of the cabinet as per Fig. 40.
- 4) Install the two ceramic pieces inside the bay window, as per Fig. 32.
- 5) Install the bay window by hanging it onto the lower tabs of the hanging brackets, as per Fig. 37.
- 6) Install top louvre by engaging the obround holes with the upper tabs of the hanging brackets, as per Fig. 38.
- 7) Install brass trim to the steel frame as per Fig. 39.

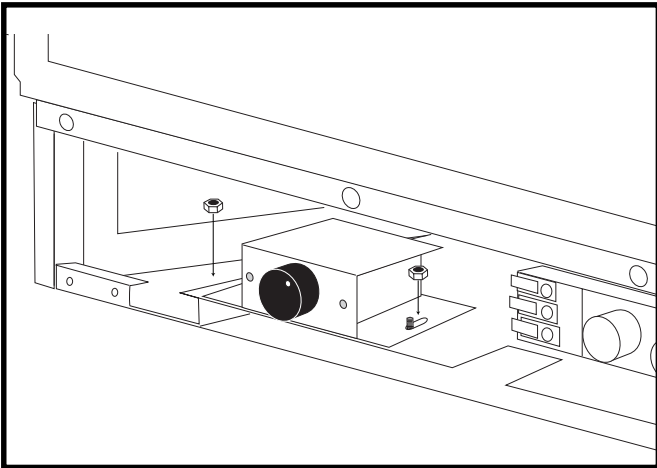


Fig. 33. Remove Fan Control Box.

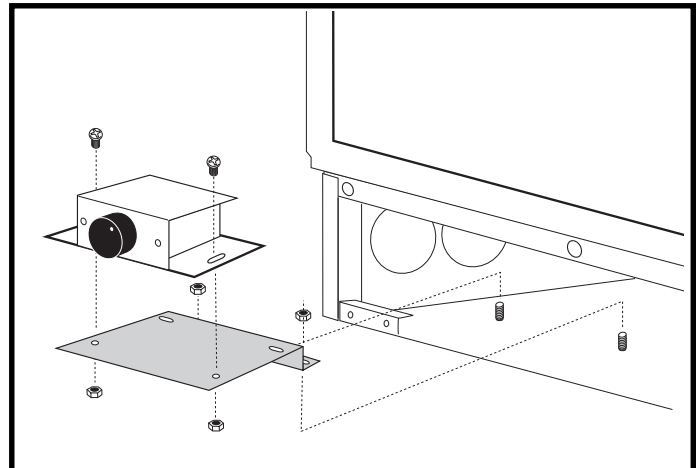


Fig. 34. Attach the control box to the bracket and install bracket into the cabinet.

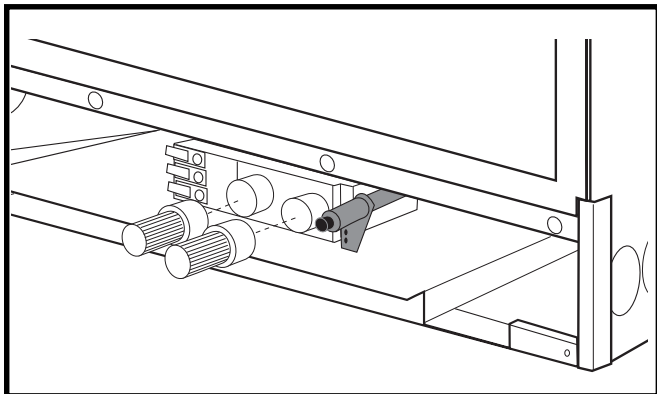


Fig. 35. Install the knob extensions. (only for RN/RP valves)

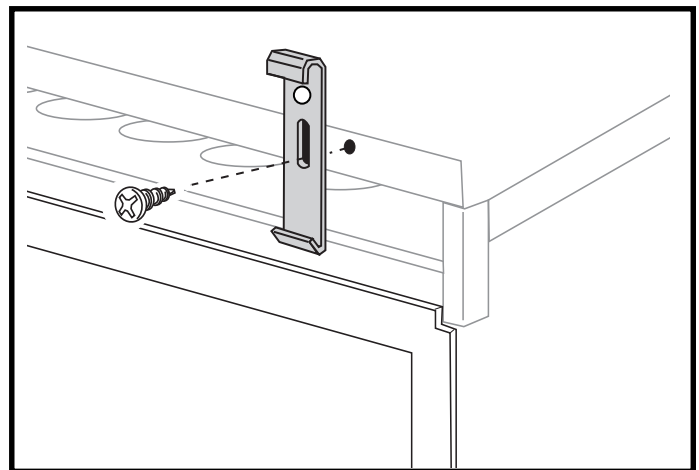


Fig. 36. Hanging Bracket alignment.

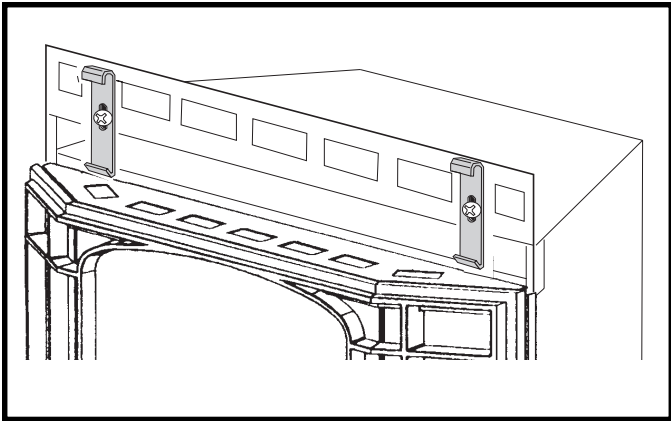


Fig. 37. Hang the Window Grille or the Steel Frame onto the lower tabs of the Hanging Brackets.

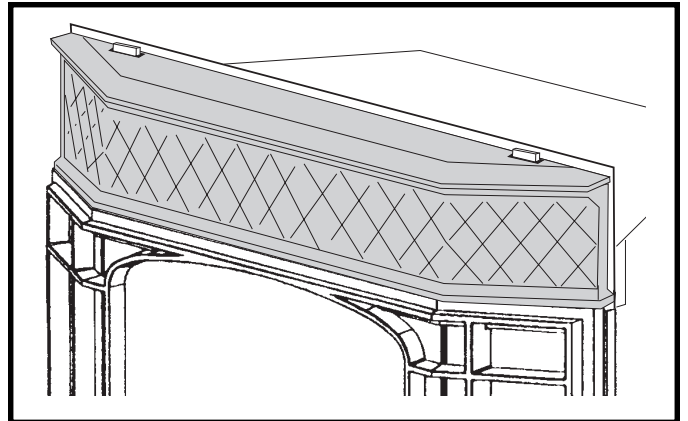


Fig. 38. Engage the slots in the Upper Grille Top Louvre with the upper tabs of the Hanging Brackets.

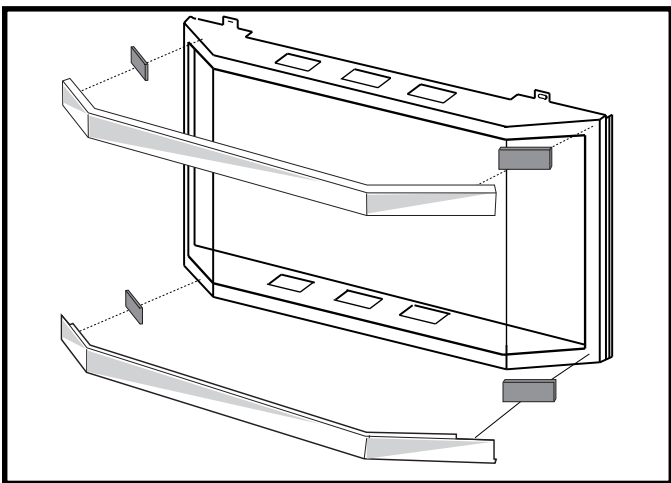


Fig. 39. Attach magnets and brass trim to the steel frame.

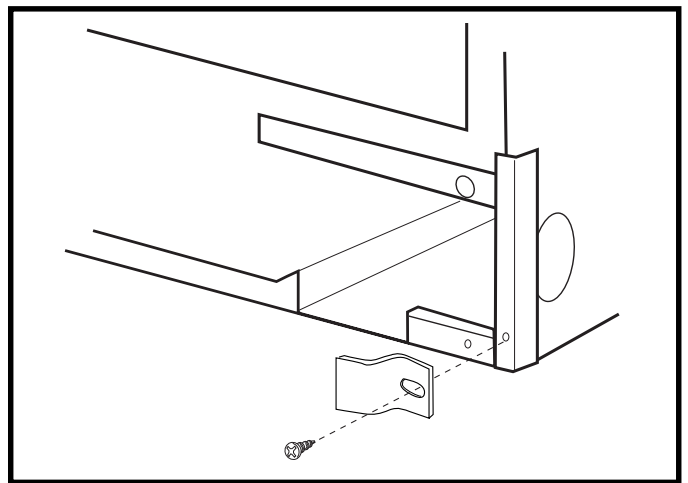


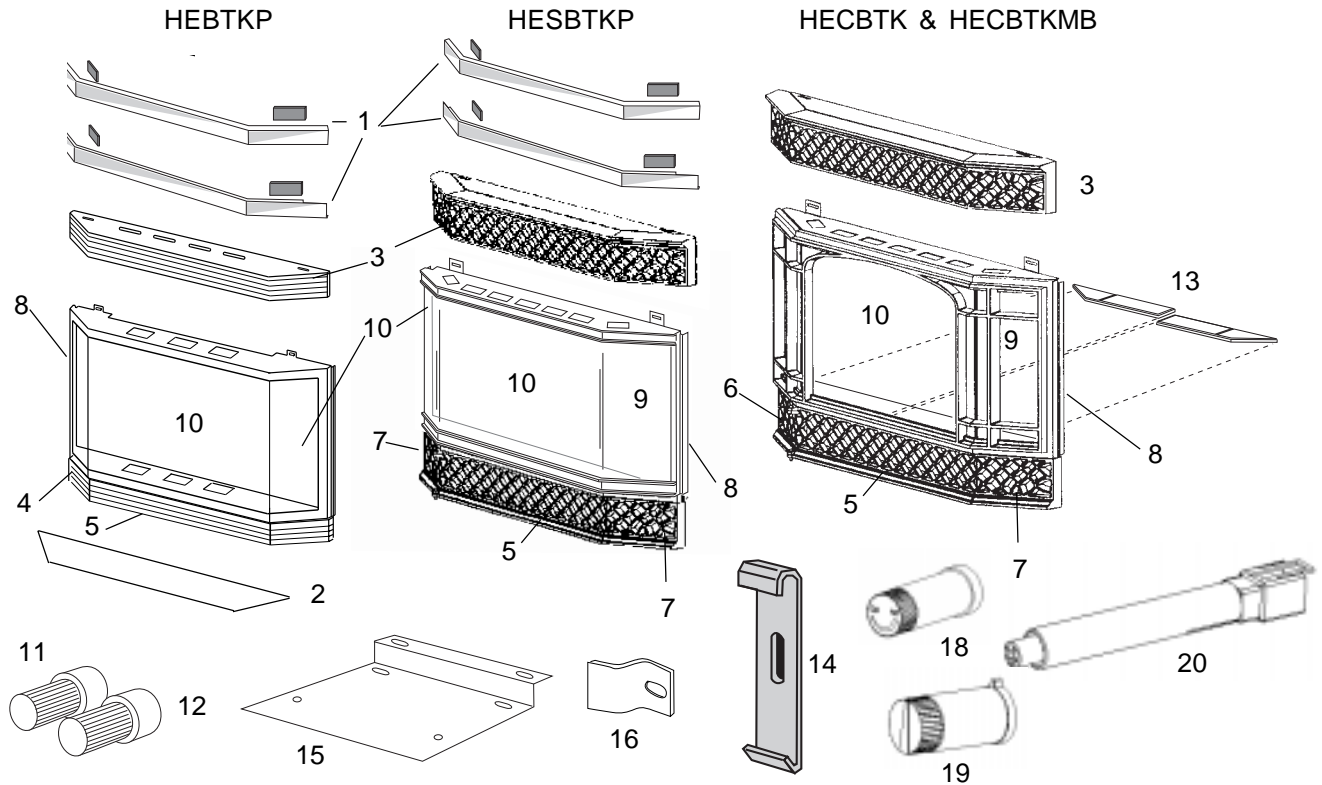
Fig. 40. Bracket for HEBTKP.

TRIM REPLACEMENT PARTS LIST

IMPORTANT: Only Trim Panel Assemblies Approved by Vermont Castings Majestic Products Company Can Be Used on These Products.

ALL repair parts will be available from your local dealer.

When ordering, always give the following information: Model and serial number, part description with finish and part number;



KEY	DESCRIPTION	HECBTK	HECBTKMB	HESBTKP	HEBTKP	HEBTA
1	Trim Window Top/Bottom ⁽¹⁾	-	-	55188-PB	55188-PB	55188-AB
2	Plate Decorative Bottom	-	-	-	52828-PB	52828-AB
3	Top Louvre (Grill) Assembly	1301199	1341199	1301199	57945	-
4	Bottom Louvre (Grill) Assembly	-	-	-	57947	-
5	Control Door	1301200	1341200	1301200	57946	-
6	Bottom Louvre Left	1301219	1341219	1301219	-	-
7	Bottom Louvre Right	1301218	1341218	1301218	-	-
8	Bay Window Centre	1301198	1341198	1409127	1409127	-
9	Glass Side	1601971	1601971	1601971	1601971	-
10	Glass Front	1601957	1601957	1601957	1601957	-
11	Extension Knob ON/OFF (RN/RP)	55163	55163	55163	55163	-
12	Extension Knob Hi/Lo (RN/RP)	55162	55162	55162	55162	-
13	Ceramic Refractory Bay (Set)	1601939	1601939	1601939	1601939	-
14	Bracket Hanging Bay Window	3000023	3000023	3000023	1409129	-
15	Bracket Extension Rheostat	1409146	1409146	1409146	1409146	-
16	Bracket Mounting Bay Window	-	-	-	57877	-
17	Hardware Pkg. (Not Shown)	10000108	10000108	10000108	10000530	-
18	Extension Knob Hi/Lo (Honeywell Valve)	20000006	20000006	20000006	20000006	-
19	Extension Knob On/Off (Honeywell Valve)	20000007	20000007	20000007	20000007	-
20	Extension Knob Piezo Ignitor (Honeywell Valve)	20001427	20001427	20001427	20001427	-

⁽¹⁾ With magnets.

A5) CAST TRIM OPTIONS

Cast Surround And Flat Face

HECBL	Cast Surround Black
HECBLUE	Cast Surround Blue
HECCG	Cast Surround Charcoal Grey
HECGR	Cast Surround Green
CSSP	Polished Brass Small Trim for Cast Surround
CSLP	Polished Brass Large Trim for Cast Surround (to be used with CSSP)

A6) FREESTANDING KITS

Convert Insert Into a Freestanding Stove

- Note:** 1) Requires Bay Window Face Kit
 2) Vent starter kit FSHEVDVK must be installed to use any of the freestanding shells.

FSNVCSKB	Classic Black Freestanding Cast Shell
FSNVCSKM	Midnight Black Enamel Freestanding Cast Shell
FSNVCSKG	Green Enamel Freestanding Cast Shell

A7) RISER KITS

1. Install the unit according to Homeowner's Manual.
2. Install the trim according to Installation Instructions.
3. Remove the two (2) screws at the bottom of the trim.
4. Install the riser at the bottom of the trim (Fig. 58).
5. Fasten the trim with the same two (2) screws removed on step 3.

Note: The riser kit should only be used with the RHEBSL & RHEBXL trim.

Riser Trim Dimensions

	Length - A	Height - B	Depth - C
RHER1-Riser 1"	42.0" (1067mm)	1.0" (25.6mm)	2.55" (64.8mm)
RHER2-Riser 2"	42.0" (1067mm)	2.0" (50.9mm)	2.58" (65.6mm)
RHER5-Riser 5"	42.0" (1067mm)	5.0" (127.9mm)	2.58" (65.6mm)

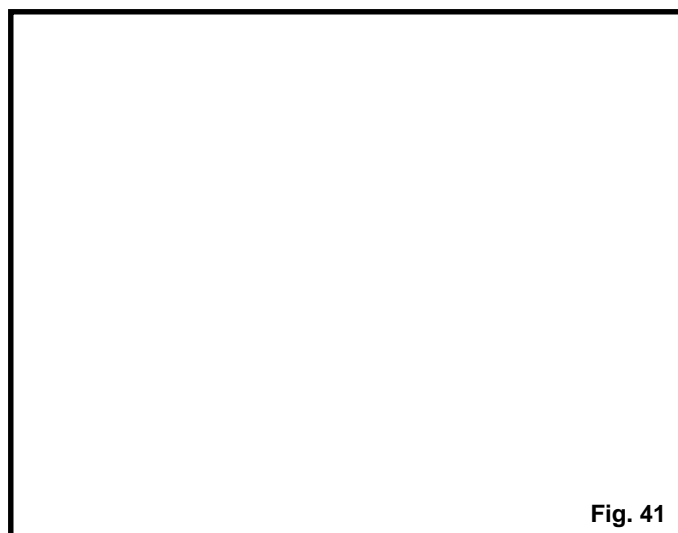


Fig. 41

A8) ARCH DOOR KITS

HEADKA - Antique Brass Arch Door
 HEADKP - Polished Brass Arch Door

B) REMOTE CONTROL



Only for units with RN/RP valve.

IMT - Wall mounted thermostat control,

- MRC1 - On/Off Button Remote Control
 MRC2 - Temperature Control Remote
 MRC3 - Temperature Control with digital display and 24 hour programmable clock.

VENTING COMPONENTS

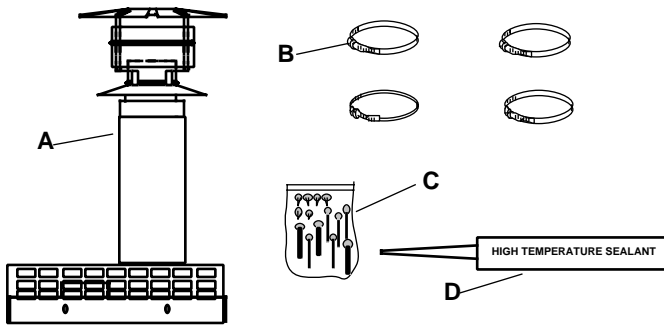
8" x 12" VENT TERMINATION KIT

Model: HEDVT (8" x 12")

(Fit Typical 8" x 12" and 9" x 13" flue Tile)

Kit Includes:

- A - 8" x 12" Vent Termination (x1)
- B - Stainless Steel Clamps 3"-3.5" (x4)
- C - Hardware Package (x1)
- D - High Temperature Sealant (x1)



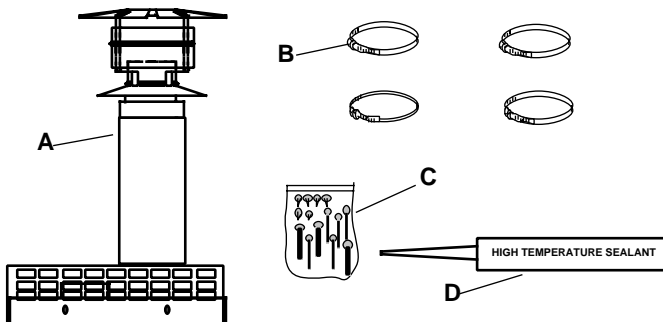
12" x 12" VENT TERMINATION KIT

Model: HEDVT (12" x 12")

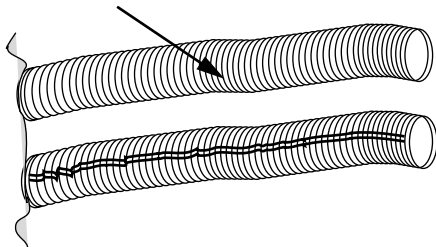
(Fit Typical 12"-13" x 12"-13" Flue Tile)

Kit Includes:

- A - Vent Termination SL (x1)
- B - Stainless Steel Clamps 3"-3.5" (x4)
- C - Hardware Package (x1)
- D - High Temperature Sealant



FLEX VENT 25 FT. LENGTH



FLEX VENT KIT

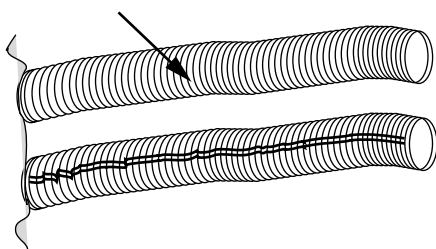
Model: HEDVK25

Includes:

Two (2) 3" Dia. x 25 ft. long, compressed Flex Vent

Note: Air Intake has a **Blue Line** on the vent.

FLEX VENT 35 FT. LENGTH



FLEX VENT KIT

Model: HEDVK35

Includes:

Two (2) 3" Dia. x 35 ft. long, compressed Flex Vent

Note: Air Intake has a **Blue Line** on the vent.

Free Manuals Download Website

<http://myh66.com>

<http://usermanuals.us>

<http://www.somanuals.com>

<http://www.4manuals.cc>

<http://www.manual-lib.com>

<http://www.404manual.com>

<http://www.luxmanual.com>

<http://aubethermostatmanual.com>

Golf course search by state

<http://golfingnear.com>

Email search by domain

<http://emailbydomain.com>

Auto manuals search

<http://auto.somanuals.com>

TV manuals search

<http://tv.somanuals.com>