

Operating Guide | Warranty

Model Numbers | L15V36, L20V36 | LCD TV



RECORD YOUR MODEL NUMBER
(For future reference)

The model and serial number of your TV are located on the back of the TV cabinet. For convenience, we suggest that you record those numbers here:

MODEL NO. _____

SERIAL NO. _____



WARNING
RISK OF ELECTRIC SHOCK
DO NOT OPEN



WARNING :

TO REDUCE THE RISK OF ELECTRIC SHOCK DO NOT REMOVE COVER (OR BACK).
NO USER SERVICEABLE PARTS INSIDE. REFER SERVICING TO QUALIFIED SERVICE PERSONNEL.



The lightning flash with arrowhead symbol, within an equilateral triangle, is intended to alert the user to the presence of uninsulated "dangerous voltage" within the product's enclosure that may be of sufficient magnitude to constitute a risk of electric shock to persons.



The exclamation point within an equilateral triangle is intended to alert the user to the presence of important operating and maintenance (servicing) instructions in the literature accompanying the appliance.

WARNING :

TO PREVENT FIRE OR SHOCK HAZARDS, DO NOT EXPOSE THIS PRODUCT TO RAIN OR MOISTURE.

NOTE TO CABLE/TV INSTALLER:

This reminder is provided to call the cable TV system installer's attention to Article 820-40 of the National Electric Code (U.S.A.). The code provides guidelines for proper grounding and, in particular, specifies that the cable ground shall be connected to the grounding system of the building, as close to the point of the cable entry as practical.

REGULATORY INFORMATION:

This equipment has been tested and found to comply with the limits for a Class B digital device, pursuant to Part 15 of the FCC Rules. These limits are designed to provide reasonable protection against harmful interference when the equipment is operated in a residential installation. This equipment generates, uses and can radiate radio frequency energy and, if not installed and used in accordance with the instruction manual, may cause harmful interference to radio communications. However, there is no guarantee that interference will not occur in a particular installation. If this equipment does cause harmful interference to radio or television reception, which can be determined by turning the equipment off and on, the user is encouraged to try to correct the interference by one or more of the following measures:

- Reorient or relocate the receiving antenna.
- Increase the separation between the equipment and receiver.
- Connect the equipment into an outlet on a circuit different from that to

which the receiver is connected.

- Consult the dealer or an experienced radio/TV technician for help.

Any changes or modifications not expressly approved by the party responsible for compliance could void the user's authority to operate the equipment

CAUTION:

Do not attempt to modify this product in any way without written authorization from Zenith Electronics Corporation. Unauthorized modification could void the user's authority to operate this product. The responsible party for this product's compliance is :

Zenith Electronics Corporation, 2000 Millbrook Dr. Lincolnshire, IL 60069, USA
1-847-941-8000

206-3922

IMPORTANT SAFETY INSTRUCTIONS

Important safeguards for you and your new product

Your product has been manufactured and tested with your safety in mind. However, improper use can result in potential electrical shock or fire hazards. To avoid defeating the safeguards that have been built into your new product, please read and observe the following safety points when installing and using your new product, and save them for future reference.

Observing the simple precautions discussed in this booklet can help you get many years of enjoyment and safe operation that are built into your new product.

This product complies with all applicable U.S. Federal safety requirements, and those of the Canadian Standards Association.

1. Read Instructions

All the safety and operating instructions should be read before the product is operated.

2. Follow Instructions

All operating and use instructions should be followed.

3. Retain Instructions

The safety and operating instructions should be retained for future reference.

4. Heed Warnings

All warnings on the product and in the operating instructions should be adhered to.

5. Cleaning

Unplug this product from the wall outlet before cleaning. Do not use liquid cleaners or aerosol cleaners. Use a damp cloth for cleaning.

6. Water and Moisture

Do not use this product near water - for example, near a bath tub, wash bowl, kitchen sink, or laundry tub, in a wet basement, or near a swimming pool.

7. Accessories, Carts, and Stands

Do not place this product on an unstable cart, stand, tripod, bracket, or table. The product may fall, causing serious injury to a child or adult, and serious damage to the product. Use only with a cart, stand, tripod, bracket, or table recommended by the manufacturer, or sold with the product. Any mounting of the product should follow the manufacturer's instructions, and should use a mounting accessory recommended by the manufacturer.

8. Transporting Product

A product and cart combination should be moved with care. Quick stops, excessive force, and uneven surfaces may cause the product and cart combination to overturn.

9. Attachments

Do not use attachments not recommended by the product manufacturer as they may cause hazards.

10. Ventilation

Slots and openings in the cabinet are provided for ventilation and to ensure reliable operation of the product and to protect it from overheating, and these openings must not be blocked or covered. The openings should never be blocked by placing the product on a bed, sofa, rug, or other similar surface. This product should not be placed in a built-in installation such as a bookcase or rack unless proper ventilation is provided or the manufacturer's instructions have been adhered to.

11. Power Sources

This product should be operated only from the type of power source indicated on the marking label. If you are not sure of the type of power supply to your home, consult your product dealer or local power company. For products intended to operate from battery power, or other sources, refer to the operating instructions.

12. Power-Cord Polarization

This product is equipped with a three-wire grounding type alternating-current line plug (a plug having one blade wider than the other). This plug will fit into the power outlet only one way. This is a safety feature. If you are unable to insert the plug fully into the outlet, contact your electrician to replace your obsolete outlet. Do not defeat the safety purpose of the polarized plug.

13. Power-Cord Protection

Power-supply cords should be routed so that they are not likely to be walked on or pinched by items placed upon or against them, paying particular attention to cords at plugs, convenience receptacles, and the point where they exit from the product.



PORTABLE CART WARNING

206-3922

(Continued on next page)

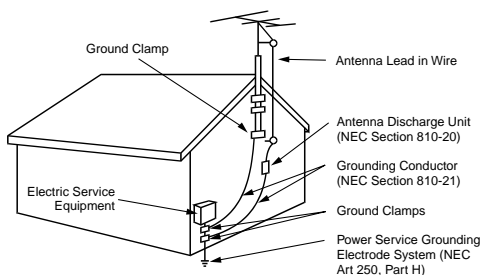
IMPORTANT SAFETY INSTRUCTIONS

(Continued from previous page)

14. Outdoor Antenna Grounding

If an outside antenna or cable system is connected to the product, be sure the antenna or cable system is grounded so as to provide some protection against voltage surges and built-up static charges. Article 810 of the National Electrical Code (U.S.A.), ANSI/NFPA 70 provides information with regard to proper grounding of the mast and supporting structure, grounding of the lead-in wire to an antenna discharge unit, size of grounding conductors, location of antenna-discharge unit, connection to grounding electrodes, and requirements for the grounding electrode.

Example of Grounding According to National Electrical Code Instructions



NEC - National Electrical Code

15. Lightning

For added protection for this product (receiver) during a lightning storm, or when it is left unattended and unused for long periods of time, unplug it from the wall outlet and disconnect the antenna or cable system. This will prevent damage to the product due to lightning and power-line surges.

16. Power Lines

An outside antenna system should not be located in the vicinity of overhead power lines or other electric light or power circuits, or where it can fall into such power lines or circuits. When installing an outside antenna system, extreme care should be taken to keep from touching such power lines or circuits as contact with them might be fatal.

17. Overloading

Do not overload wall outlets and extension cords as this can result in a risk of fire or electric shock.

18. Object and Liquid Entry

Never push objects of any kind into this product through openings as they may touch dangerous voltage points or short-out parts that could result in a fire or electric shock. Never spill liquid of any kind on the product.

19. Servicing

Do not attempt to service this product yourself as opening or removing covers may expose you to dangerous voltage or other hazards. Refer all servicing to qualified service personnel.

20. Damage Requiring Service

Unplug this product from the wall outlet and refer servicing to qualified service personnel under the following conditions:

- If the power-supply cord or plug is damaged.
- If liquid has been spilled, or objects have fallen into the product.
- If the product has been exposed to rain or water.
- If the product does not operate normally by following the operating instructions. Adjust only those controls that are covered by the operating instructions as an improper adjustment of other controls may result in damage and will often require extensive work by a qualified technician to restore the product to its normal operation.
- If the product has been dropped or the cabinet has been damaged.
- If the product exhibits a distinct change in performance.

21. Replacement Parts

When replacement parts are required, be sure the service technician has used replacement parts specified by the manufacturer or have the same characteristics as the original part. Unauthorized substitutions may result in fire, electric shock, or other hazards.

22. Safety Check

Upon completion of any service or repairs to this product, ask the service technician to perform safety checks to determine if the product is in proper operating condition.

23. Wall or Ceiling Mounting

The product should be mounted to a wall or ceiling only as recommended by the manufacturer. The product may slide or fall, causing serious injury to a child or adult, and serious damage to the product.

24. Heat

The product should be situated away from heat sources such as radiators, heat registers, stoves, or other products (including amplifiers) that produce heat.

206-3922

CONTENTS

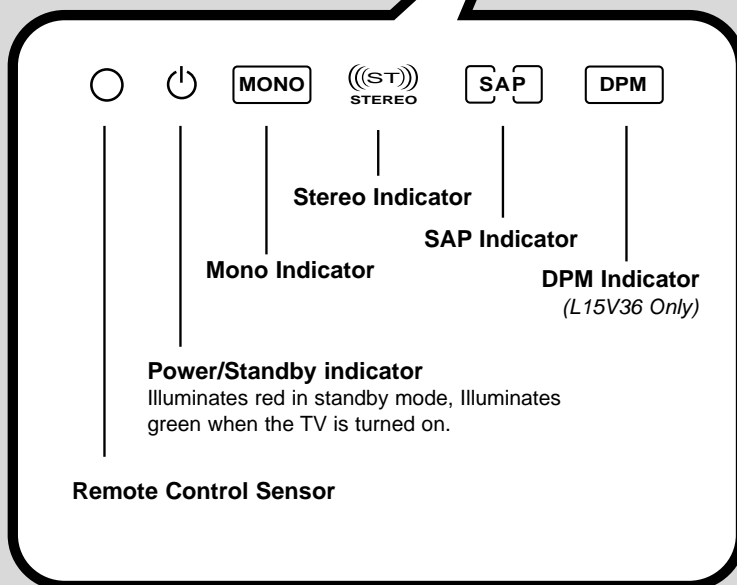
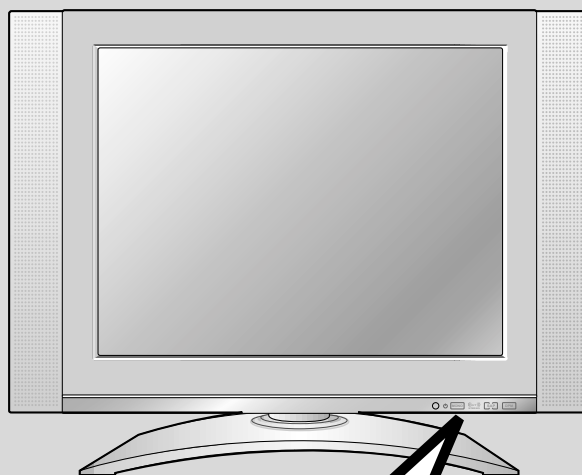
INDEX

Before operating the TV, please read this manual carefully.

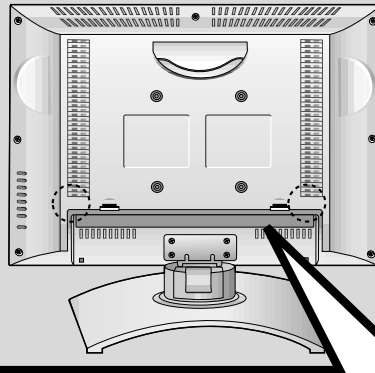
| | | |
|--------------------------|--|---------------------|
| 1 | Safety Warnings | 2 |
| | Important Safety Instructions | 3 |
| | Controls | 6 |
| | Remote Control: | |
| | Installing Batteries/ Operation | 10 |
| | TV Overview | 11 |
| | Kensington Security System | 15 |
| 2 | Antenna/Cable Connections | 16 |
| | VCR Connections | 18 |
| | External Equipment Connections | 19 |
| | DVD Player Connections | 20 |
| | DTV (Set-top Box) Connections | 21 |
| | PC/Computer Connections (use TV as a Monitor) | 22 |
| | PC Mode Functions Check | 24 |
| | PC Mode Adjustments | 25 |
| | 3 | Turning the TV on |
| TV Mode Menus | | 31 |
| Onscreen Menu Language | | 32 |
| Finding/Erasing channels | | 33 |
| Favorite Channel Memory | | 35 |
| 4 | | Auto Clock Setup |
| | Manual Clock Setup | 37 |
| | Off Timer Setup | 38 |
| | On Timer Setup | 39 |
| | Auto off | 40 |
| | Sleep Timer Setup | 41 |
| | 5 | Video/Picture Setup |
| Audio/Sound Setup | | 45 |
| 6 | Closed Captions | 50 |
| | Key Lock | 53 |
| | Parental Control | 54 |
| 7 | Maintenance | 57 |
| | Product Specifications | 58 |
| | Troubleshooting Checklist | 59 |
| | Your Zenith Limited Warranty | Back cover |

Controls

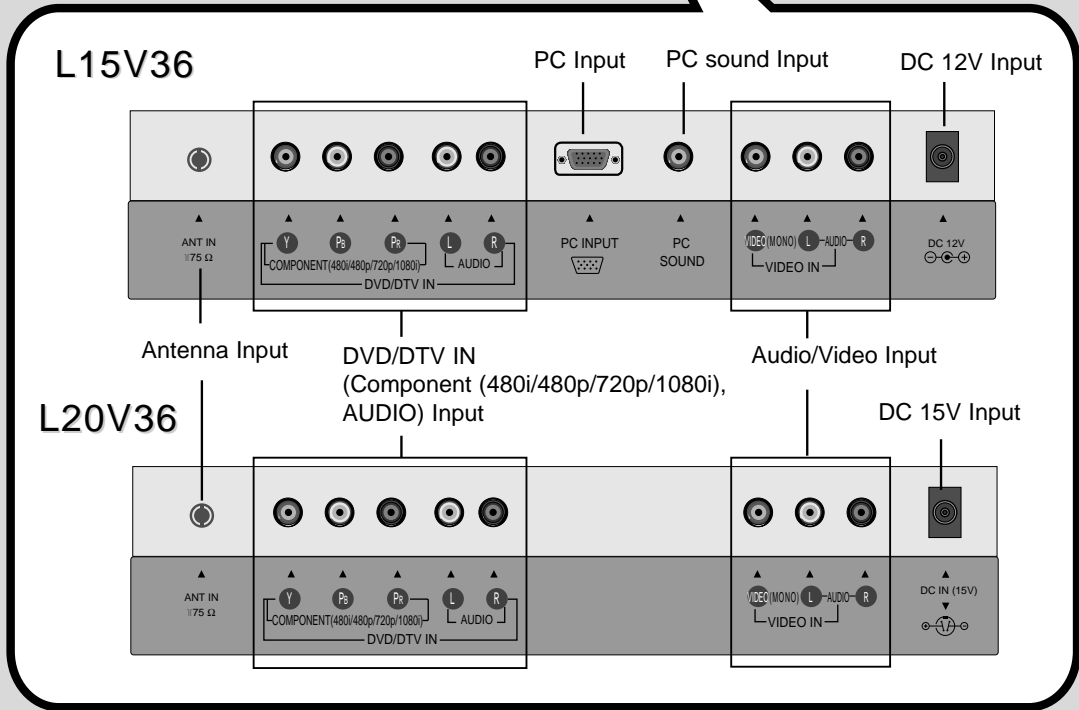
Front of the TV



Back of the TV

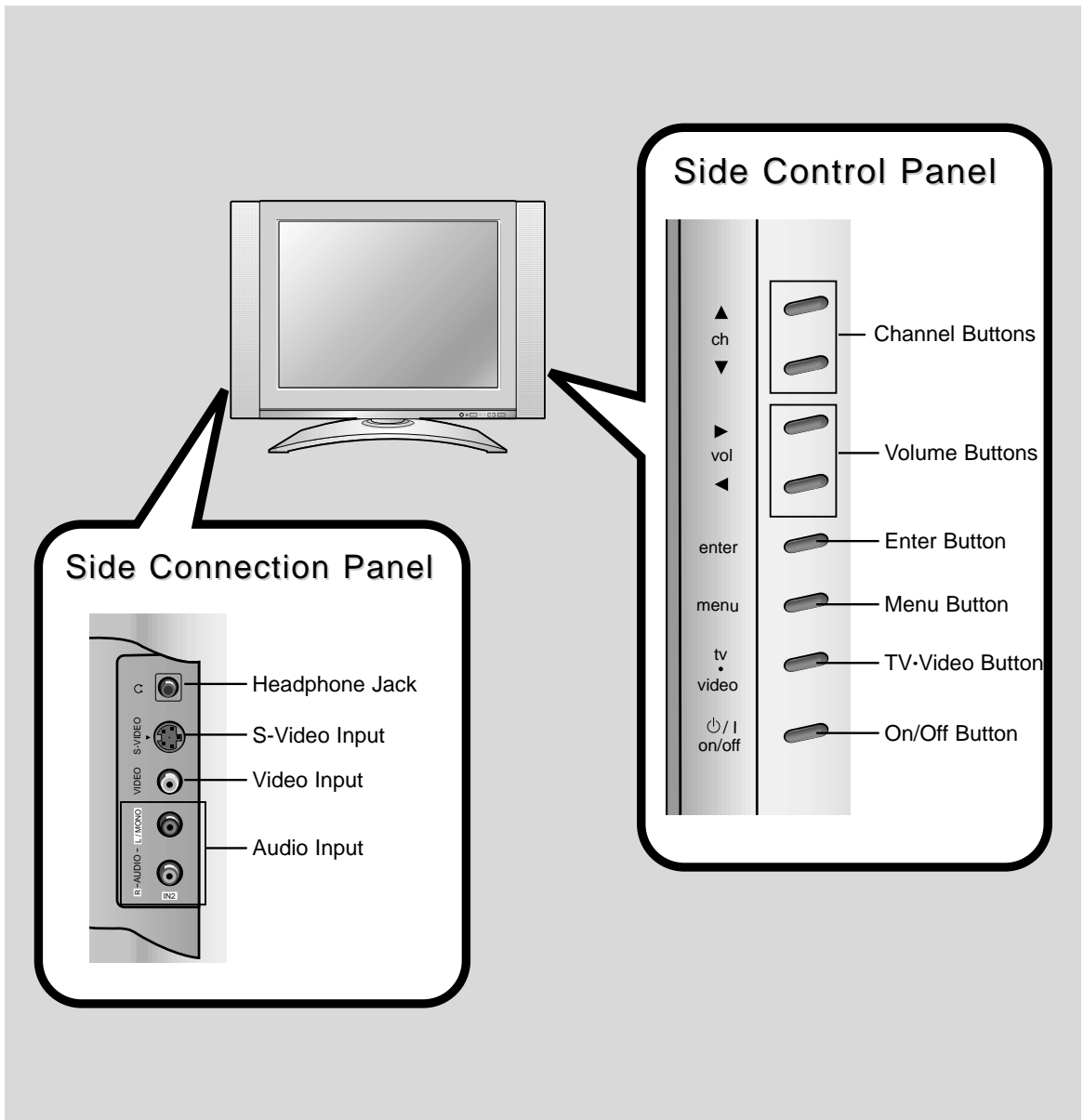


* Kensington Security System Connector (Refer to P.15.)

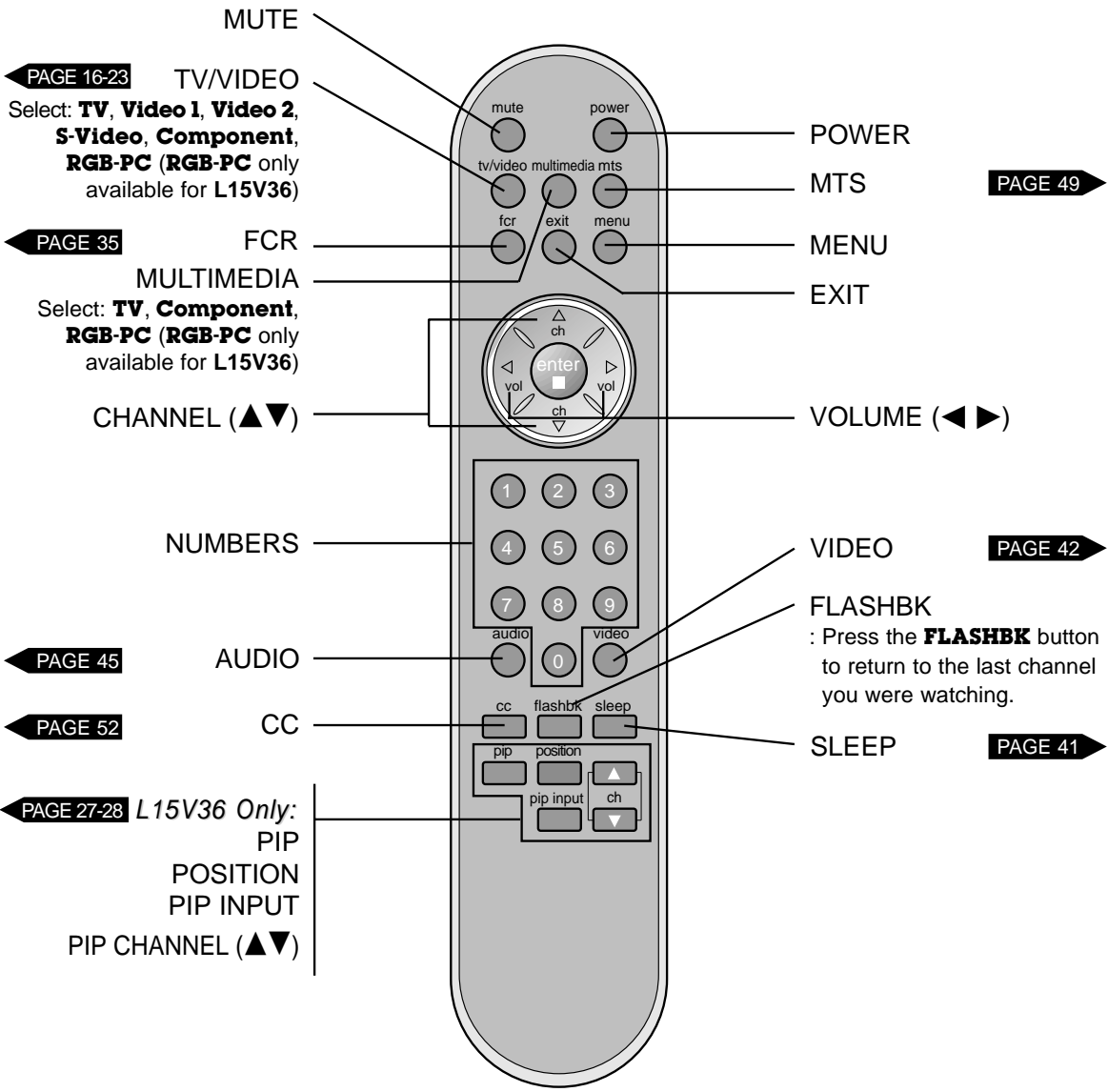


- This manual mainly explains the features for the L15V36.

Side of the TV



Remote Control Buttons



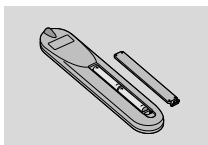
Remote Control: Installing Batteries/Operation

Installing Batteries

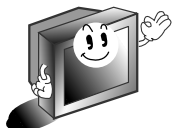
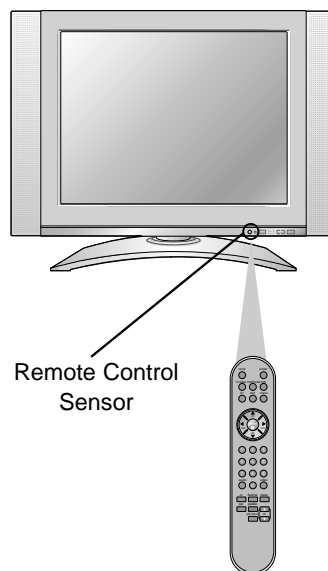
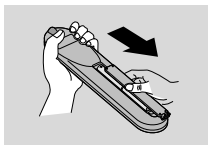
- 1 Pull the battery cover upward in the direction shown by the arrow and remove it.



- 2 Insert the batteries with correct polarity, match "+" and "-".



- 3 Replace the battery compartment cover.



- Install two AAA, 1.5V batteries. Don't mix used batteries with new batteries.
- Remove batteries when you won't use the remote control for a long time. Liquid leakage from batteries may damage the remote.

Notes For Using Remote Control

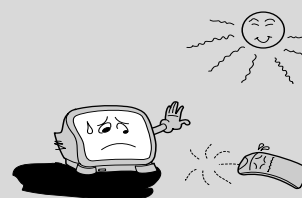
Make sure there are no objects between the remote control and its sensor.



Don't place the remote control near a heater or in a damp place. Dropping or hitting the remote control may damage it.

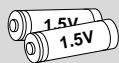


Signals from the remote control may be disturbed by sunlight or other strong light. In this case, darken the room.

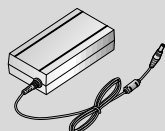


TV Overview

Accessories



AAA
Batteries



AC Adapter



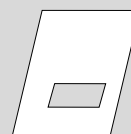
Remote Control



Power Cord

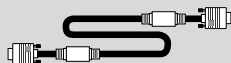


Tie Bands
- Arrange the wires
with the tie bands.



Operating Guide

L15V36 Only



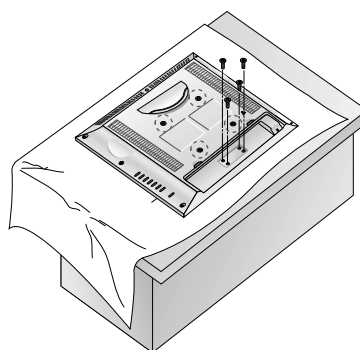
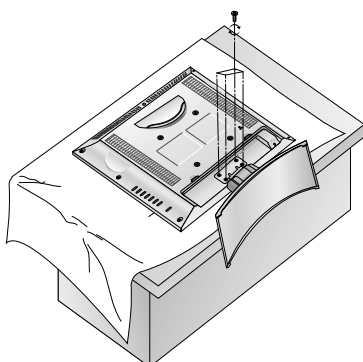
PC Signal Cable



PC Sound Cable

Installation on the Wall

- An optional wall mount is available for this TV, see your Zenith dealer.
For installation, follow the instructions provide with the optional wall mount.

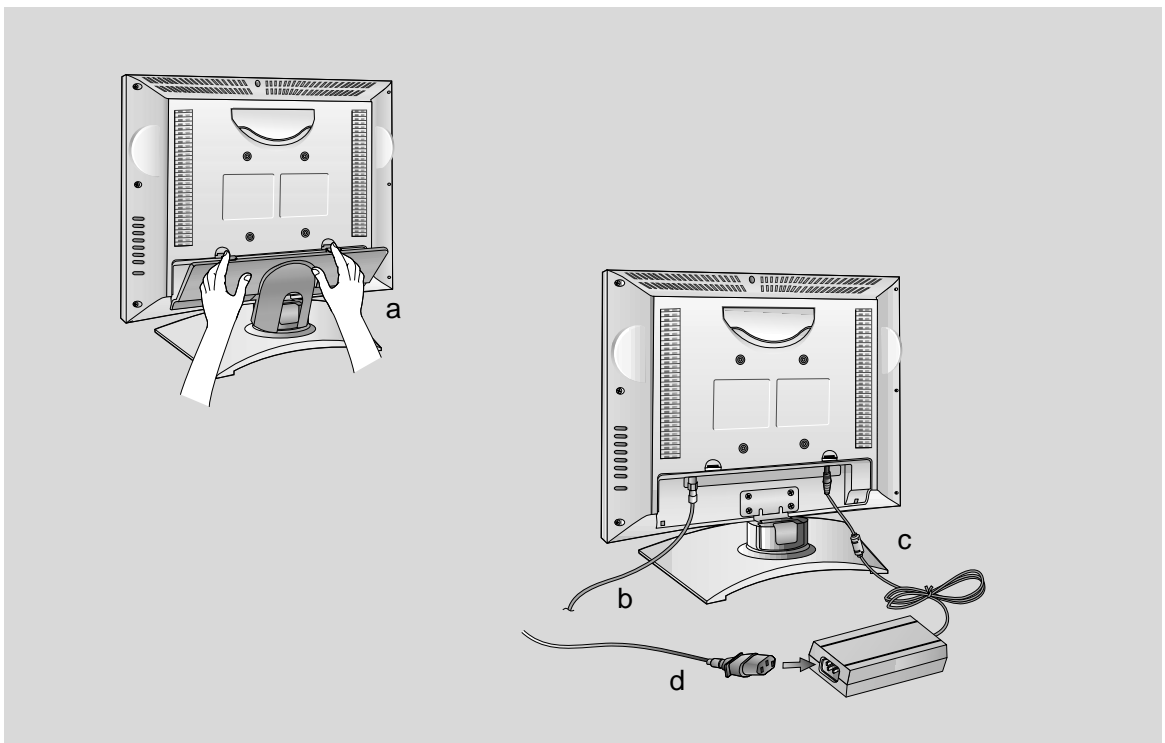


TV Overview

Connections

* Caution: Please make sure to connect the TV to the AC power adapter before connecting the TV's power plug to a wall power outlet.

- a. Remove the connection panel cover as shown below.
- b. Connect the antenna cable to the antenna input port on the TV.
- c. Connect the AC adapter to the power input port on the TV.
- d. Plug the power cord into the wall power outlet only after connecting the power cord to the AC adapter first.
- e. Reinstall the connection panel cover.



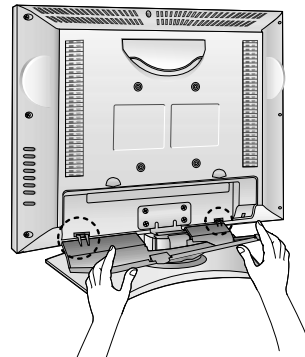
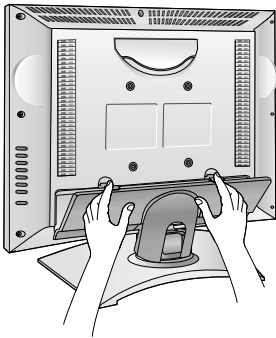
Notes

- If the TV feels cold to the touch, there may be a small “flicker” when turned on. This is normal, there is nothing wrong with TV.
- Some dot defects may appear on the screen, appearing as tiny red, green or blue spots. However, they will have no adverse effect on the monitor's performance.
- Avoid touching the LCD screen or holding your finger(s) against it for long periods of time. Doing so may produce some temporary distortion effects on the screen.

Rear A/V Cover

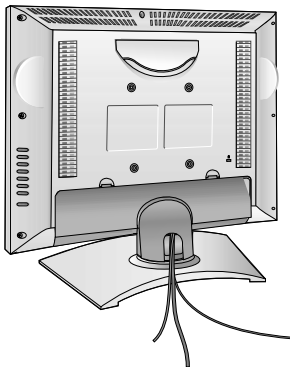
* The connection panel is hidden behind the A/V cover.

- a. Remove the cover.
- b. Install wires as necessary.
- c. Reinstall the cover. Align the holes on the TV back panel with the two tabs on the rear A/V cover as shown.
- e. Close cover.



Wire Holders

- Thread, then pull the wires through the hole on the TV stand.



Free Manuals Download Website

<http://myh66.com>

<http://usermanuals.us>

<http://www.somanuals.com>

<http://www.4manuals.cc>

<http://www.manual-lib.com>

<http://www.404manual.com>

<http://www.luxmanual.com>

<http://aubethermostatmanual.com>

Golf course search by state

<http://golfingnear.com>

Email search by domain

<http://emailbydomain.com>

Auto manuals search

<http://auto.somanuals.com>

TV manuals search

<http://tv.somanuals.com>