

# Zenith Tudor™

## Single point open outlet (vented) water heaters



- 21600 Zenith Tudor 5 Litre over-sink water heater
- 21620 Zenith Tudor 10 Litre over-sink water heater
- 21610 Zenith Tudor 5 Litre under-sink water heater
- 21630 Zenith Tudor 10 Litre under-sink water heater

- 99032 Telescopic Spout accessory for 21600 / 21620
- 99079 Mono vented mixer tap for 21610 / 21630
- 99080 Solo vented mixer tap for 21610 / 21630
- 99081 Hero vented mixer tap for 21610 / 21630

## Read These Warnings First



Please read all installation requirements, installation procedures and precautions before installing any Zenith Tudor water heater.

Never attempt to install any Zenith Tudor water heater without reading all of the applicable instructions.

Zenith Tudor water heaters are open outlet (vented) water heaters and must not be installed in the same way as mains pressure type water heaters.

The outlet from any Zenith Tudor water heater must be connected directly to an outlet spout on the sink and must not be obstructed by a tap or valve or in any other way.

The water flow is controlled by a cold water tap connected before the water heater. Cold water pushes hot water out of the tank when the cold water tap is turned ON. Any such cold water tap should be labelled HOT.

This water heater must not be connected to more than one outlet.

All plumbing connections must be made in accordance with AS3500.

The heater is intended only for indoor use and should never be installed outdoors or be exposed to the elements of nature.

Over-sink and under-sink models are NOT interchangeable.

Children should be supervised to ensure they do not play with the heater.

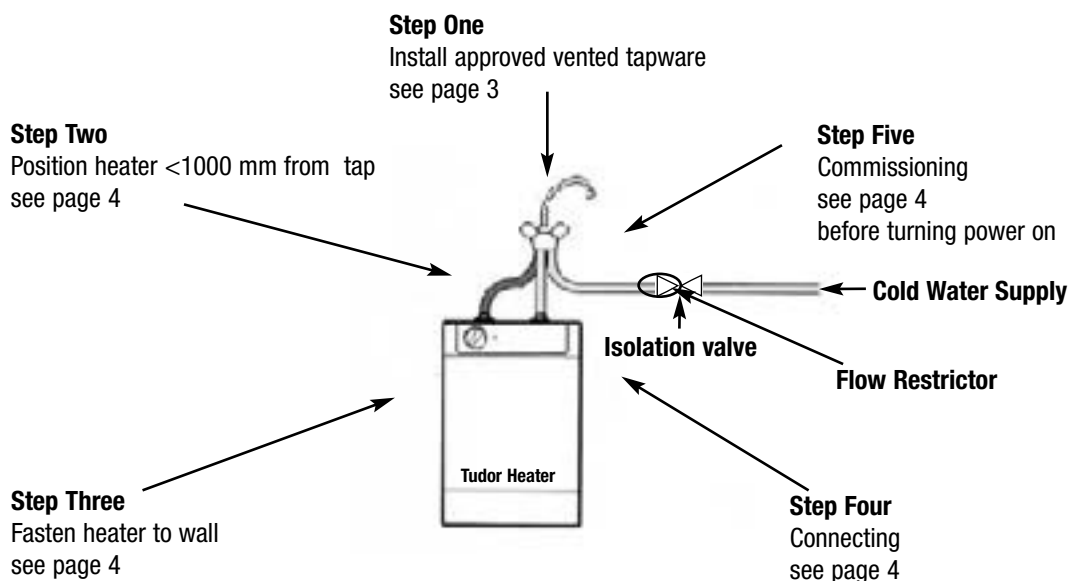
The heater is unsuited for use by children or infirm people without supervision.

If the power supply cord is damaged it must be replaced by a Zenith Service Provider or a qualified electrician.

Do not remove the cover of the heater under any circumstances without first isolating the heater from the power supply.

Outlet temperature should never be set to less than 60°C without due regard to regulations governing the storage temperature of hot water.

## Quick Installation Guide



## Installation Requirements

Before installing, ensure that the following are available:

- a) sufficient space to position the heater so there is 270 mm clear access under the heater (over-sink models) or 270mm above (under-sink).
- b) standard 10 amp 240 volt power outlet within 1500 mm of the heater
- c) cold water supply with a minimum working pressure of 50 kPa and a maximum working pressure of 750 kPa.

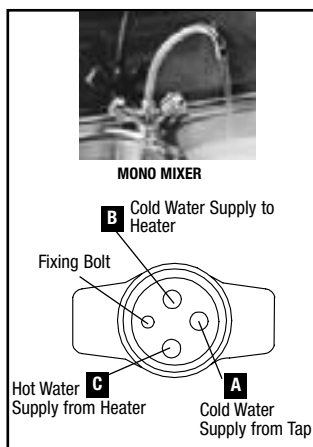
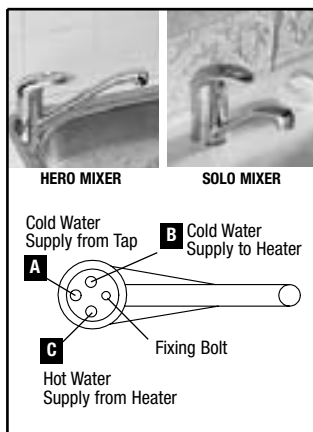
If pressure may exceed 750 kPa, a pressure limiting valve must be installed.

Under-sink models must be installed beneath approved vented mixer taps requiring a single mounting point on a sink, basin or tub.

Water pressure under 100 kPa may be sufficient for over-sink heaters but may not operate under-sink mixer taps satisfactorily.

## Installation Procedure

### Step One - Tapware



Over-sink models must be installed with an inlet valve to control the flow from the water supply to the heater. No valve is supplied with the heater. The water supply and valve should be connected after the fastening the heater to the wall.

Over-sink models are supplied with a 300 mm swivel spout. An 300 mm to 600 mm telescopic swivel spout (99032) is available as an optional extra.

Under-sink models must be installed with approved vented tapware. It is advisable to fit the tap to the sink before mounting the heater to the wall beneath the sink.

1. Ensure that the flexible tubes are firmly attached to the base of the tap body.
2. Flush water supply pipes thoroughly to remove any silt or fines.
3. Fasten the tap body to the sink using the bolt & plate system provided.
4. Connect red flexible tube (from tap base "C") to the heater outlet.
5. Insert flow restrictor provided to the free end of blue flexible tube "A" ONLY IF the water pressure is likely to exceed 250 kPa. Otherwise discard restrictor.
6. Connect blue flexible tube (from tap base "B" ) to the heater inlet.
7. Connect blue flexible tube (from tap base "A") to the cold water supply.

Do not dismantle the assembled tap body during installation. Mixer taps are factory tested and sealed to provide optimum performance.

To adjust water temperature delivered by Solo and Hero mixer taps, see instructions on page 7. Such adjustments should be made only by a qualified technician.

Note: If replacing an existing open outlet (vented) water heater an isolation valve must be fitted to the incoming water supply and a 7L/min flow restrictor fitted at the isolation valve outlet. It is essential to establish that any existing tapware is vented.

Model	Weight(kg)	
	Empty	Full
Five Litre over-sink	3.5	8.5
Ten Litre under-sink	4.0	14.0
Five Litre over-sink	3.5	8.5
Ten Litre under-sink	4.0	14.0

### Step Two - Positioning

Over-sink heaters should be installed so that the outlet spout drains to a sink or basin, and with a clearance of 270 mm beneath the heater to allow for service access.

Under-sink heaters should be installed as closely as possible to directly below the outlet tap with a clearance of 270 mm above the heater.

### Step Three - Fastening

It is not necessary to remove the case of the heater during installation.

The heater must be wall mounted with two fixing screws as shown in the diagram on page 5. Fixing screws must have the strength to support the filled heater.

The fixing screws are to protrude 4 mm from the wall as shown in the diagram on page 5 so as to fit into keyhole slots provided on the rear of the heater.

### Step Four - Connecting

On over-sink models, the inlet and outlet are located on the base of the heater.

On under-sink models, the inlet and outlet are located on the top of the heater.

All Zenith Tudor water connections are via 15 mm compression fittings and must be made strictly as shown in the diagrams.

Over-sink models are supplied with a 300 mm open outlet spout, and must also be fitted with an isolation valve on the cold water side. A valve is not supplied with the heater and must be supplied and fitted by the installer.

Under-sink models must be installed with approved vented tapware regulating the incoming water supply which displaces the hot water from the heater so it discharges through the open vented spout incorporated into the tap mounted on the basin or sink.

The use of tapware other than approved vented tapware is dangerous.

Each heater is equipped with a 1600 mm power cord and plug and should be connected to a standard 10 amp power outlet located adjacent to the heater.

Do not turn the power ON until the heater is filled with water and air is purged from the heater.

### Step Five - Commissioning

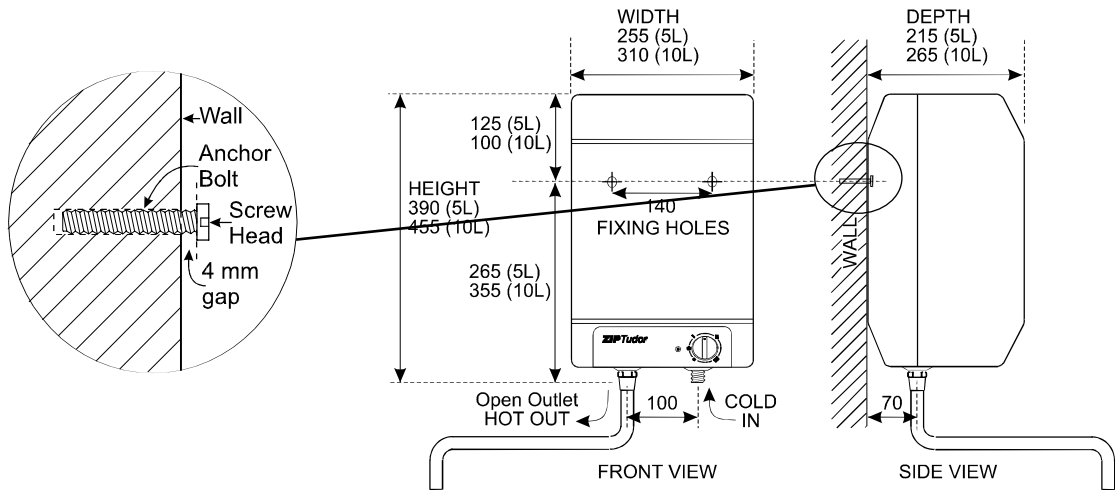
Fill the heater tank and purge air from the heater by turning the water supply ON and running water through the heater until it flows smoothly. Turn the water supply OFF and turn the power supply ON. The heater will then run through its heating cycle.

During the heating cycle, drips fall from the delivery spout or tap.

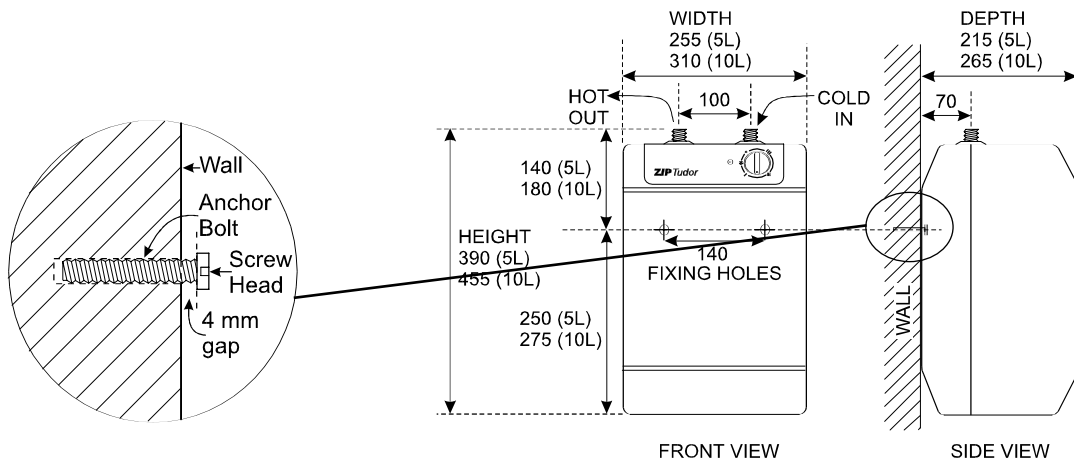
Dripping will cease when the heating cycle is completed and the stored water temperature has reached the level set by the user.

## Installation Procedure Continued

### Over-Sink



### Under-Sink



## Problem Solving

Fault	Possible cause	Solution
No heat	No power Faulty element Faulty thermostat Faulty cutout Tripped overload	Check power supply Contact Zenith
No water	No supply Blockage Faulty thermostat Faulty cut out	Check water supply Contact Zenith
No indicator	Faulty LED Faulty connection	Contact Zenith

## Operating Procedures

### Water Temperature

Zenith Tudor water heaters are fully automatic, and may be left switched ON under the control of the variable thermostat.

Nominal operating temperature can be varied from about 30°C to about 80°C.

Temperature should not be set to less than 60°C without due regard to regulations governing the storage temperature of hot water.

### Economy Setting

The economy setting "E" will maintain stored water temperature at approximately 60°C. At the "E" setting, the temperature control locates into a set position and a slight resistance will be felt when rotating the temperature control beyond that setting. This measure is to help ensure that higher temperatures are only selected deliberately.

### Frost Protection

If the heater is located where ambient air temperature could fall below 5°C when the heater is not in use, the "anti freeze" setting on the temperature control will maintain stored water temperature over 5°C to prevent freezing and damage to the water heater.

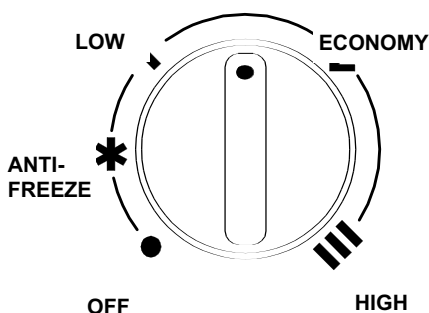
The same protection does not extend to connecting pipework or fittings.

### Safety Cutout

Should the heater over-heat, a manually resettable safety cutout will automatically turn the heating element OFF. The cutout must be reset by a Zenith Service Provider or a licensed electrician. Users should never reset the cutout without qualified assistance.

### Cleaning

Never use strong, corrosive or abrasive cleaning materials. Wipe clean the outer surfaces with a sponge or soft cloth using a mild soap and water. Domestic dish washing liquid detergent is most suitable.



## Spare Parts

PART NO	DESCRIPTION
Z90401	<u>element neck ring kit Tudor</u>
Z90407	<u>fascia kit Tudor undersink</u>
Z90408	<u>fascia kit Tudor oversink</u>
Z90415	<u>element kit Tudor 5ltr o/sink</u>
Z90416	<u>element kit Tudor 10ltr o/sink</u>
Z90417	<u>element kit Tudor 5ltr u/sink</u>
Z90418	<u>element kit Tudor 10ltr u/sink</u>
Z90420	<u>pilot light kit Tudor</u>
Z90421	<u>thermostat kit Tudor</u>
Z90423	<u>overload kit Tudor</u>

## Service Procedures

This appliance may only be serviced by a suitably qualified technician. Disconnect from power and turn water supply OFF before attempting any kind of service work.

### Removing the case

1. Remove temperature control knob by gripping it and pulling towards you.
2. Remove the single retaining screw located beneath the temperature control knob.
3. Remove the four case screws two at top, two at bottom.
4. The case can now be lifted off carefully.

### Replacing the case

Reverse of the above procedure.

### Replacing a thermostat

1. Remove the front cover.
2. Disconnect the two electrical terminals from the thermostat. These are spade connectors and can be easily pulled off.
3. Remove the two screws attaching the thermostat to the plastic upright.
4. Pull the capillary out of the thermostat pocket located on the element assembly.
5. Take the new thermostat (Z90421) and uncoil about half of the capillary tube.
6. Push the new capillary into the pocket ensuring that:
  - a) if it is an over sink model, the cutout bulb goes in first then the thermostat bulb behind it.
  - b) if it is a under sink model, then the reverse is applicable.

Attach the thermostat to the plastic upright.

Reconnect the two electrical terminals. It does not matter which way around the connections occur.

Ensure the remaining capillary coil is out of the way of any live terminals.

Ensure the plastic upright is located securely in the position provided.

Refit the cover assembly.

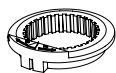


Knob removed to show screw

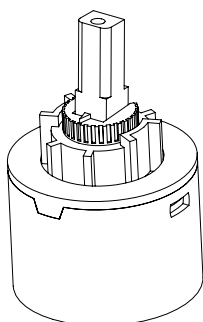


Thermostat spade connectors

## Tap Temperature Adjustment



Top Ring "X"



Mixer Cartridge "Y"

Adjustment of a tap temperature limiter on Solo and Hero vented taps should be made only by a Zenith Service Provider or a qualified technician.

1. Remove tap handle assembly to expose the mixer cartridge.
2. Lift and rotate the serrated top ring "X" from the mixer cartridge "Y".

Rotating the ring left or right will regulate the water temperature.  
Rotating the ring clockwise will increase the water temperature.  
Rotating the ring anticlockwise will decrease water temperature.  
The tap normally operates with the ring in the central position.

3. Reassemble the tap handle assembly to its original condition.
4. Test the temperature of the water outlet to check acceptability.

## Warranty Information

The Zenith appliance you have chosen is precision-built from the finest materials available and should give many years of trouble free service.

Certain warranties may be implied by law into your contract with Zenith. The warranty provided below is additional to these implied warranties and nothing set out below shall limit your statutory rights or rights at law.

Parex Appliances warrants that, should any part fail within 12 calendar months of installation, that part will be repaired or replaced free of charge by Parex Appliances or its Distributor or Service Provider, except as set out below, provided the appliance is installed and used strictly in accordance with the instructions supplied, and that failure is not due to accident, misuse, abuse, unsuitable water conditions, or to any alteration, modification or repair by any party not expressly nominated by Parex Appliances.

No costs are payable by the customer other than any mileage or travelling-time charges incurred by a Zenith Service Provider or the cost of removal, cartage and re-installation of any component of the appliance if it needs to be returned for repair its Distributor.

This warranty does not cover damage resulting from non-operation of the appliance or consequential damage to any other goods, furnishings or property.

No warranty applies to the life of any filtration cartridge installed with the appliance as cartridge life may vary according to water quality and the rate of water consumption.

Parex Appliances does not exclude, restrict or modify any liability that cannot be excluded, restricted or modified or which cannot, except to a limited extent, be excluded, restricted or modified as between the owner or user and Parex Appliances under the laws applicable.

Furthermore, this warranty does not displace any statutory warranty, but, to the extent to which Parex Appliances is entitled to do so, the liability of Parex Appliances under any statutory warranty will be limited at Parex Appliances option to the replacement of the appliance or supply of equivalent appliance, the payment of the cost of replacing the appliance or acquiring an equivalent appliance, or the payment of the cost of having the appliance repaired or the repair of the appliance.

### Head Office

**Parex Appliances**  
**103 Central Park Dr**  
**Henderson Auckland**

**Email: [info@parex.co.nz](mailto:info@parex.co.nz)**  
**Website: [www.parex.co.nz](http://www.parex.co.nz)**  
Telephone (09) 836 6566  
Facsimile (09) 836 6033



## Free Manuals Download Website

<http://myh66.com>

<http://usermanuals.us>

<http://www.somanuals.com>

<http://www.4manuals.cc>

<http://www.manual-lib.com>

<http://www.404manual.com>

<http://www.luxmanual.com>

<http://aubethermostatmanual.com>

Golf course search by state

<http://golfingnear.com>

Email search by domain

<http://emailbydomain.com>

Auto manuals search

<http://auto.somanuals.com>

TV manuals search

<http://tv.somanuals.com>