



OWNER'S MANUAL "A" SERIES & "LEA" SERIES PUMPS

IMPORTANT SAFETY INSTRUCTIONS

When installing and using this electrical equipment, basic safety precautions should always be followed, including the following:

1. **READ AND FOLLOW ALL INSTRUCTIONS.**
2. **WARNING :** To reduce the risk of injury, do not permit children to use this product unless they are closely supervised at all times.
3. **CAUTION:** This pump is for use with permanently installed pools and may also be used with hot tubs and spas if so marked. Do not use with storable pools. A permanently installed pool is constructed in or on the ground or in a building such that it cannot be readily disassembled for storage. A storable pool is constructed so that it may be readily disassembled for storage and reassembled to its original integrity and has a maximum dimension of 18 ft. (5.49m) and a maximum wall height of 42 in. (1.07m).
4. Do not install within an outer enclosure or beneath the skirt of a hot tub or spa unless so marked.
5. **SAVE THESE INSTRUCTIONS.**

INSTALLATION & OPERATING INSTRUCTIONS

GENERAL

Your AQUA-FLO pump has been quality built and engineered to give maximum efficiency under normal water pumping conditions. Consult the manufacturer for any other applications.

LOCATION OF PUMP

For best pump performance, locate the system as close to the water source as possible. Provide adequate access around the pump for inspection and maintenance. Place pump on a firm level surface. Pump need not be bolted down unless required by local code.

PUMP CONNECTIONS

Suction line from pool (skimmer and main drain) must be connected to inlet at hair and lint trap. Discharge line to pool (return lines) must be connected to outlet at top of pump via filter. If pump is installed below water level of pool, install valves on the inlet and outlet piping to permit removing of equipment without draining the pool.

CAUTION: During the pressure test procedure, this pump is under pressure. **DO NOT LOOSEN** lock handles while pump is running or until all pressure is released. Tighten lock handles securely by hand only. Raise pressure slowly. Do not exceed 50 psi. Extreme care must be taken during pressure test. Failure to follow these instructions explicitly can result in personal injury.

PRIMING PUMP

At initial start-up, pump must be primed by filling hair and lint trap with water. To prime pump, remove cover from hair and lint trap: fill pump and suction trap with water. Replace cover (make sure the o-ring is in place) and tighten lock handles. Pump will now prime, with priming time depending upon lift and horizontal distance of suction piping.

CAUTION: Do not remove hair and lint strainer lid while pump is running or under pressure! Lid is held in place by lock handles which can be removed or tightened by hand. Basket must be kept clear of leaves and debris at all times.

REMOVING BASKET

- 1.) Turn off motor.
- 2.) Remove lid.
- 3.) Remove basket and empty debris.
- 4.) Replace basket, fill with water, replace lid securely to prevent air from entering and tighten. **DO NOT USE TOOLS.**
- 5.) Turn on motor.
- 6.) Open air-relief valve on top of filter until steady stream of water comes out.

NOTE: If pump is installed below water level of pool, close return and suction lines prior to opening hair and lint pot. Make sure to re-open valves prior to operating.

DO NOT RUN PUMP DRY!

Always maintain proper water level in pool. If water level falls below skimmer intake, pump will suck air. Pump is equipped with a maintenance-free, heavy-duty mechanical seal. Damage will occur if pump runs dry, and warranty will be voided.

TO PREVENT FREEZING

Drain liquid from pump through plug at bottom section of volute. It is recommended to apply a good rust inhibitor into liquid end to prevent corrosion.

Be sure motor is kept dry and covered. In mild climate area, when freezing may occur, run pump and filter equipment continuously to prevent freezing.

MOTOR

Your pump is equipped with a permanently lubricated, maintenance-free, heavy-duty industrial quality motor especially designed to withstand the heavy-duty requirements of swimming pool application. Wiring connection must agree with incoming line voltage. Improper wiring can cause serious injuries and damage to the motor, voiding warranty.

NOTE: Your motor is designed to withstand the effects of normal rainfall. To increase the life of your motor, observe the following:

- 1.) Do not flood motor or submerge in water. To do so voids warranty.
- 2.) Provide ample cross ventilation, minimum of 6" at all points.
- 3.) Keep motor and surrounding area clean.
- 4.) Avoid sweeping or stirring dust near motor while it is running.
- 5.) Avoid storing or spilling dry chemicals, powders, etc., near motor.
- 6.) Provide protection against the elements.
- 7.) Locate motor on a slight elevation so water will drain away from motor.
- 8.) Avoid spilling or dripping liquid chemical on or near motor.
- 9.) Avoid splashing water or hosing deck near motor. Water damage voids warranty.

For replacements, contact your local supplier or authorized service center.

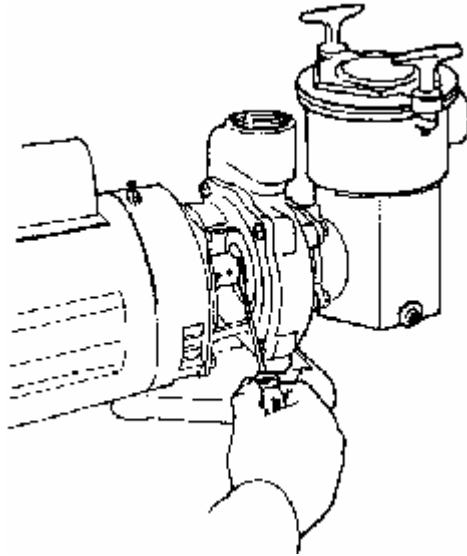
WARNING - All electrical wiring of the motor installation must be done by a qualified electrician in accordance with applicable electrical codes. Before working on any motor, be certain that the source of electrical power is off at the main junction box.

BONDING WIRE - Upon installation of the pump, the motor must be bonded with (no smaller than) a No. 8 AWG solid copper conductor per National Electrical Code. The connection should be from the accessible wire connector on the motor to all metal parts of the swimming pool, spa or hot tub structure and to all electrical equipment, metal conduit, and metal piping within 6 feet (1.5 m) of the inside walls of a swimming pool, spa or hot tub, when the motor is installed within 5 feet of the inside walls of the swimming pool, spa, or hot tub.

NOTE: For electrical connections, see wiring diagram on motor rating plate.

TROUBLE SHOOTING

PROBLEM	SOLUTION
If pump loses prime, or if too many bubbles come through return line, check:	Hair and lint pot cover is tight and o-ring is in place and free from defects.
	Valves on suction and return lines are working properly and open.
	Water level in pool is too low.
	Filter o-ring or gasket is in place and free from defects.
	All fittings and connections are secure and air tight.
Not pumping water, check:	Filter pressure gauge reading too high, indicating filter needs cleaning.
	Clogged plumbing lines.
	Impeller adjustment incorrect. Adjust impeller .015 inches from face of volute.
	Worn or damaged impeller.
Motor does not run, check:	Circuit breakers.
	Incorrect or loose wire connections.
	Thermal protector in motor tripped. Allow motor to cool, then try to restart.
Motor makes humming noise but won't start, check:	Make sure motor shaft turns free.
	Jammed impeller or an obstruction in (volute) casing.
	Low voltage and undersized wire.
Motor overheating and cycling on and off, check:	Incorrect or loose wire connections.
	Low voltage supply (frequently caused by undersized wire).
	Make sure the motor gets a fresh air supply and the vents are kept unclogged.
Noises, check:	Plumbing vibration
	Impeller turns freely and is properly adjusted.
	Motor bearings.
	For cavitation, due to obstruction in or undersized suction line.



**ASSEMBLY INSTRUCTIONS FOR MOUNTING
LIQUID END TO MOTOR**

STEP 1

Remove pump and motor from their boxes and check for any possible shipping damage.

STEP 2

Place motor vertically with shaft end up, being careful not to damage motor end bell. Remove shaft key on motor if installed.

STEP 3

Install liquid end to motor by placing the pump shaft onto the motor shaft and aligning the pump shaft set screws with the motor shaft keyway. Align pump bracket holes with threaded holes on motor and install four 3/8"-16 hexbolts and tighten with 9/16" wrench.

STEP 4

Place assembled pump in its normal position, on the pump base. To adjust impeller, place screwdriver on the pump shaft as shown, and gently pry pump shaft towards motor .015 inches and tighten one set screw with 1/8" Allen wrench. Rotate shaft to check if impeller is clear. If impeller is clear, tighten all set screws firmly. If impeller is not clear, loosen set screw and adjust impeller further until it rotates freely.

(See illustration above)

STEP 5

The pump is now ready for installation.

"A" SERIES REPLACEMENT PARTS

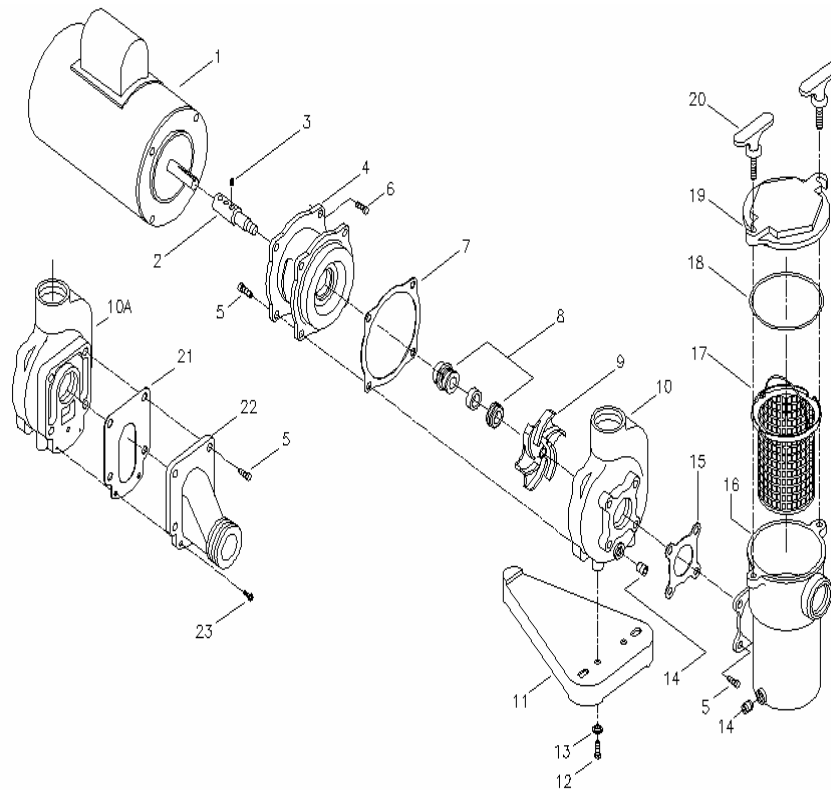
Please refer to diagram located on page 7

Ref. No.	Part No.	Description
1		Motor, 56 Frame, 'C' Face, Keyed Shaft
2	92520002	Shaft, Extension, Solid End
3	99730000	Screw, Socket Set, 1/4"-20 x 5/16"
4	91140050	Bracket, .33-2.0 HP
4	91140100	Bracket, .33-2.0 HP, With Foot
4	91140150	Bracket, 3.0 HP
5	99050030	Bolt, Hex Machine, 5/16"-18 x 5/8"
6	99050050	Bolt, Hex Machine, 3/8"-16 x 5/8"
7	91500050	Gasket, Volute, .33-2.0HP
7	91500100	Gasket, Volute, 3.0HP
8	92500050	Seal, Replacement, #1000
9	91691000	Impeller, .33 HP
9	91691050	Impeller, .50 HP
9	91691101	Impeller, .75 HP
9	91691151	Impeller, 1.0 HP
9	91691201	Impeller, 1.5 HP
9	91691251	Impeller, 2.0 HP
9	91691300	Impeller, 3.0 HP
10	92770050	Volute, .33-2.0 HP, 1-1/2" Discharge, With Foot
10	92770060	Volute, .33-2.0 HP, 1-1/2" Discharge, Less Foot
10	92770150	Volute, 3.0 HP
10A [†]	92770200 [†]	Volute, .33-2.0 HP, 100% Drain [†]
11	91100100	Base, Plastic
12	99050110	Bolt, Hex, Machine, 5/16"-18 x 1"
13	99890050	Washer, Lock 5/16"
14	92290000	Plug, Pipe
15	91500150	Gasket, Trap, 5"
15	91500200	Gasket, Trap, 6" & 8"
16	92620000	Trap, 5", 1-1/2" Suction
16	92620050	Trap, 5", 2" Suction
16	92620100	Trap, 6", 2" Suction
17	91110000	Basket, Strainer, 5" (plastic)
17	91110010	Basket, Strainer, 6" (plastic)
18	92200000	O'ring, Trap Cover, 5", #429
18	92200010	O'ring, Trap Cover, 6", #438
19	91230000	Cover, Trap, 5"
19	91230050	Cover, Trap, 6"
20	91920001	Lockhandle
21	91500250	Gasket, 100% Drain
22 [†]	56910030 [†]	Flange, 100% Drain [†]
23	99730050	Screw, #8-32 x 5/8"
Q	91040010	Assembly, Trap Complete, 5" x 1-1/2"
Q	91040020	Assembly, Trap Complete, 5" x 2"
Q	91040030	Assembly, Trap Complete, 6" x 2"

[†] No longer available

Q Trap Assembly includes Ref. No.'s 5, 14-20

DIAGRAM – Please Refer to table located on page 6



AQUA-FLO, LLC
P.O. BOX 2526 • CHINO, CALIFORNIA 91708
SHIPPING: 5651 SCHAEFER AVENUE • CHINO, CALIFORNIA 91710
TEL 909/591-7453 • FAX 909/627-5660
WWW.AQUA-FLO.COM

**“A” SERIES & “LEA” SERIES PUMPS LIMITED WARRANTY
AQUA-FLO, LLC**

WARRANTS TO:

the original retail purchaser only, that the products Aqua-Flo manufactures are free from defects in material and/or workmanship for a period of five years from date of purchase, not to exceed six years from date of manufacture, (pump seals warranty for 30 days). If within the first two years from date of manufacture, any such product proves to be defective, it shall be repaired or replaced at AQUA-FLO'S option as follows:

The original retail purchaser shall first contact the installing dealer, as soon as possible after discovery of the defect, but in no event later than the expiration date of this warranty. Or upon notification,

AQUA-FLO, LLC

Customer Service Department
P.O. Box 2526, Chino, CA 91708

will advise the consumer of the address to which the defective item may be shipped, together with the model number, serial number and date of purchase of item claimed to be defective. The consumer must pay for all shipping charges.

If within the years three through five any such products shall prove defective, the original retail purchaser shall be entitled to purchase replacement equipment or components at the following percentage off the current published list price:

Third year	60%
Fourth year	40%
Fifth year	20%

1. This warranty shall not apply to any failures resulting from negligence, abuse, misuse, misapplication, improper installation, alteration or modification, chemical corrosion, or improper maintenance.
2. Any items manufactured by other companies and used by AQUA-FLO in its products may carry warranties by the original manufacturers.
3. AQUA-FLO is not liable for incidental or consequential damages, loss of time, inconvenience, incidental expenses, labor or material charges in connection with removal or replacement of the equipment.

AQUA-FLO is not responsible for any implied warranties or representations by others, and the foregoing warranty is exclusive and in lieu of all warranties provided herein.

Some states do not allow the exclusion or limitation of incidental or consequential damages, so the above limitation or exclusion may not apply to you.

This warranty gives you specific legal rights, and you may also have other rights which vary from state to state.

Free Manuals Download Website

<http://myh66.com>

<http://usermanuals.us>

<http://www.somanuals.com>

<http://www.4manuals.cc>

<http://www.manual-lib.com>

<http://www.404manual.com>

<http://www.luxmanual.com>

<http://aubethermostatmanual.com>

Golf course search by state

<http://golfingnear.com>

Email search by domain

<http://emailbydomain.com>

Auto manuals search

<http://auto.somanuals.com>

TV manuals search

<http://tv.somanuals.com>