
INSTALLATION INSTRUCTIONS

ECONOMIZERS WITH EXHAUST

Models
EIFM-3C

**For Use with Bard 2-1/2 through 3 Ton
Wall Mount Air Conditioners
and Heat Pumps
Produced in 2005 and Later**



CLIMATE CONTROL SOLUTIONS

Bard Manufacturing Company, Inc.
Bryan, Ohio 43506

Since 1914...Moving ahead, just as planned.

Manual : 2100-449A
Supersedes: 2100-449
File: Volume III Tab 19
Date: 03-14-08

CONTENTS

GENERAL

General Information	3
Unpacking	3
Description	3

INSTALLATION

Basic Installation	4 – 7, 9
Economizers – WA, WL & WH Series	10
Wall Thermostats	12

FIGURES

Figure 1	4
Figure 2	5
Figure 3	6
Figure 4	7
Figure 5	8
Figure 6	10
Figure 7	11
Figure 8	12
Wiring Diagram	13

TABLES

Table 1 EIFM	3
Table 2 Enthalpy Control Setting	9

**Manufactured under U.S. Patent number 5,301,744.
Other patents pending.**

**COPYRIGHT DECEMBER 2004
BARD MANUFACTURING COMPANY, INC.
BRYAN, OHIO USA 43506**

GENERAL INFORMATION

The economizer should only be installed by a trained heating and air conditioning technician. These instructions serve as a guide to the technician installing the economizer package. They are not intended as a step by step procedure with which the mechanically inclined owner can install the package.

The economizer housing is shipped in one carton which contains the electrical harness, miscellaneous hardware and installation instructions.

The economizer installation requires an additional two stage cooling thermostat in place of the normal single stage cooling thermostat. Also additional low voltage wire will be required to transmit the second call (Y2) for cool. (I.E. use 6 conductor thermostat wire for an air conditioning unit and 9 conductor thermostat wire for heat pumps.) See Page 12 for required thermostats.

If using a Bard master controller, the MC3000 Master Controller is designed specifically to control two (2) redundant Bard wall mount units equipped with economizers.

Any wall mount unit equipped with an economizer must also have a low ambient control installed. This control can be factory installed or field installed. If field installed, use kit CMA-6 (air conditioner models) or CMH-7 (heat pump models).

UNPACKING

Upon receipt of the equipment be sure to compare the model number found on the shipping label with the accessory identification information on the ordering and shipping document to verify that the correct accessory has been shipped.

Inspect the carton housing of each economizer as it is received, and before signing the freight bill, verify that all items have been received and that there is no visible damage. Note any shortages or damage on all copies of the freight bill. The receiving party must contact the last carrier immediately, preferably in writing, requesting inspection by the carrier's agent. Concealed damage not discovered until after loading must be reported to the carrier within 15 days of its receipt.

DESCRIPTION

The EIFM-3C economizer is designed to be used with Bard 2-1/2 through 3 ton wall mount series air conditioners and heat pumps with low ambient fan cycling controls. They are electromechanical economizer systems designed to provide "free" cooling where the outdoor air temperature is cool enough to provide the needed cooling without running the compressor. When cooling is needed, the system automatically takes advantage of the could outdoor air when available and uses it for first stage cooling. This then reduces the need to run the air conditioning compressor providing lower operating costs and increasing the service life of the equipment. If the outdoor air gets too warm or humid to be helpful, the enthalpy control detects the condition and automatically closes the outdoor air and exhaust damper, opens the return air damper and switches to the compressor operation. This is all done automatically to achieve maximum savings without attention for the user. See Figure 6 & 7, Pages 10 & 11, for a block diagram of the economizer operation logic flow. The unit is equipped with a full modulating type damper motor which controls the damper position to a factory set minimum supply air temperature.

EIFM models not suitable for use with hot gas bypass models.

**TABLE 1
EIFM USED ON THIS MODEL**

MODEL	FOR USE WITH FOLLOWING UNITS
EIFM-3C	WA/WL30, WA/WL36, WH30, WH36, WA37, SH26, WA37, SH31

(1) Low ambient is required with Economizer for low pressure compressor operation.

INSTALLATION

BASIC INSTALLATION

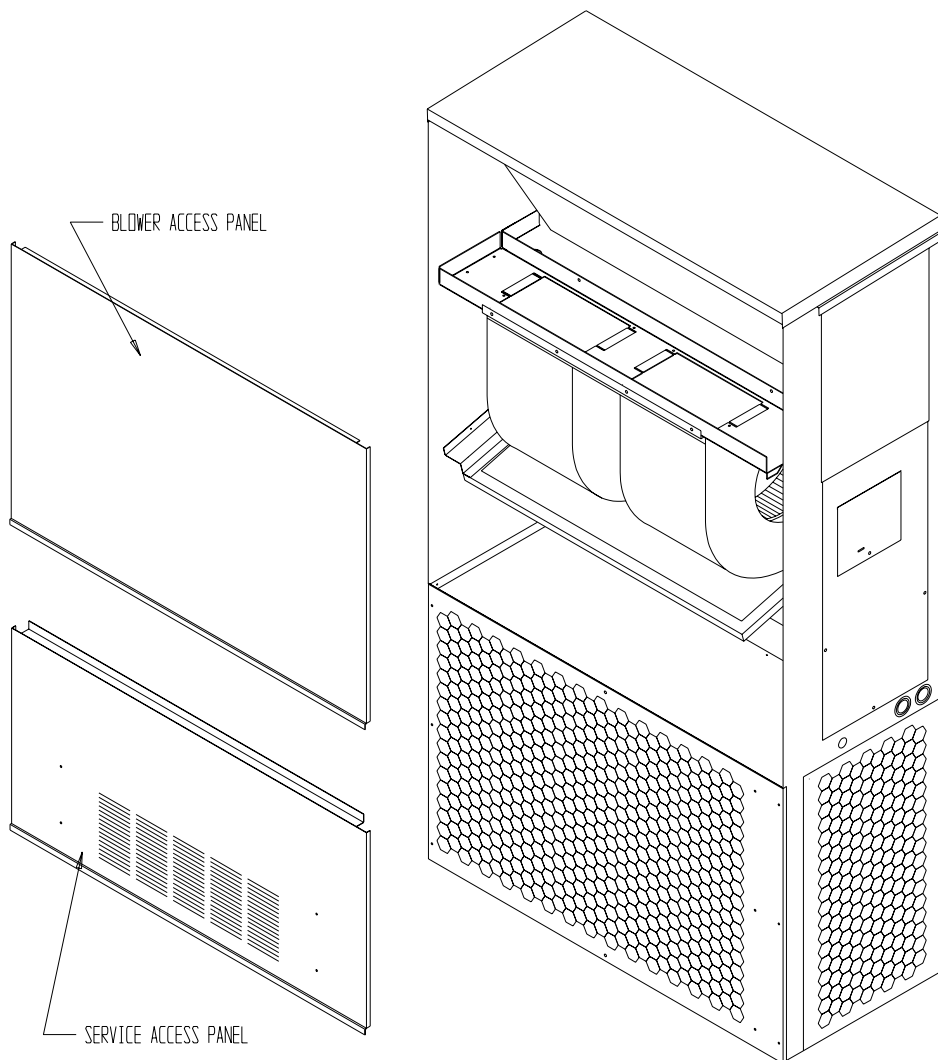
1. Unpack the economizer assembly which includes the integral economizer with attached electrical harness, mixed air thermistor, miscellaneous hardware and installation instructions.
2. Remove and save the existing exterior blower access and service access panels on the Bard wall mount unit. (See Figure 1.)



WARNING

Open and lock unit disconnect switch before installing this accessory to prevent injury or death due to electrical shock or contact with moving parts. Turn thermostat to OFF.

FIGURE 1



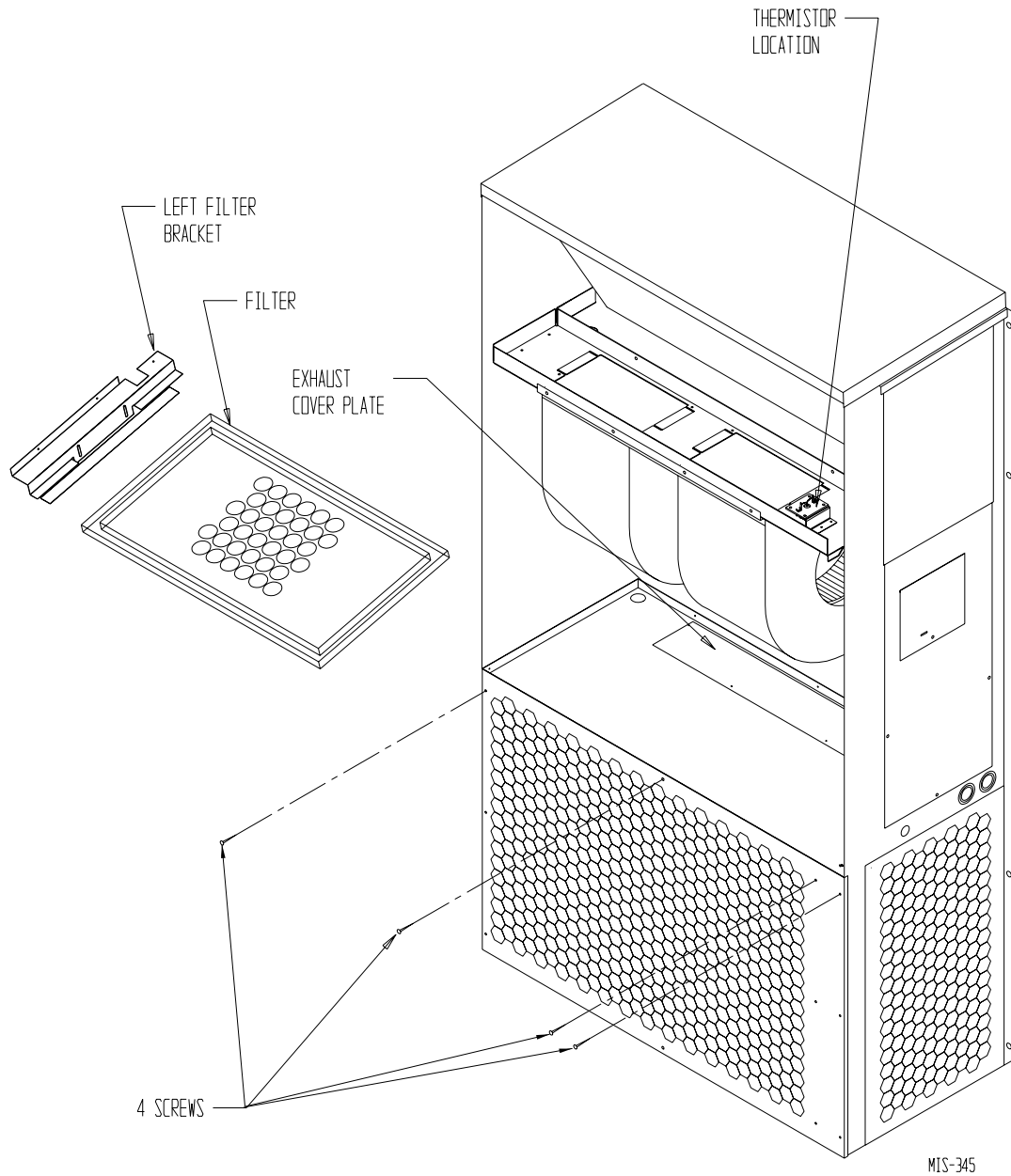
MIS-344

3. **RIGHT HAND UNITS** Remove and save existing unit return air filter and left side filter support bracket. Remove and save top four (4) screws from grille. (See Figure 2.)

LEFT HAND UNITS Remove and save the existing unit return air filter and right side filter bracket.

4. Remove and discard the condenser partition blank off plate. (See Figure 2.)

FIGURE 2

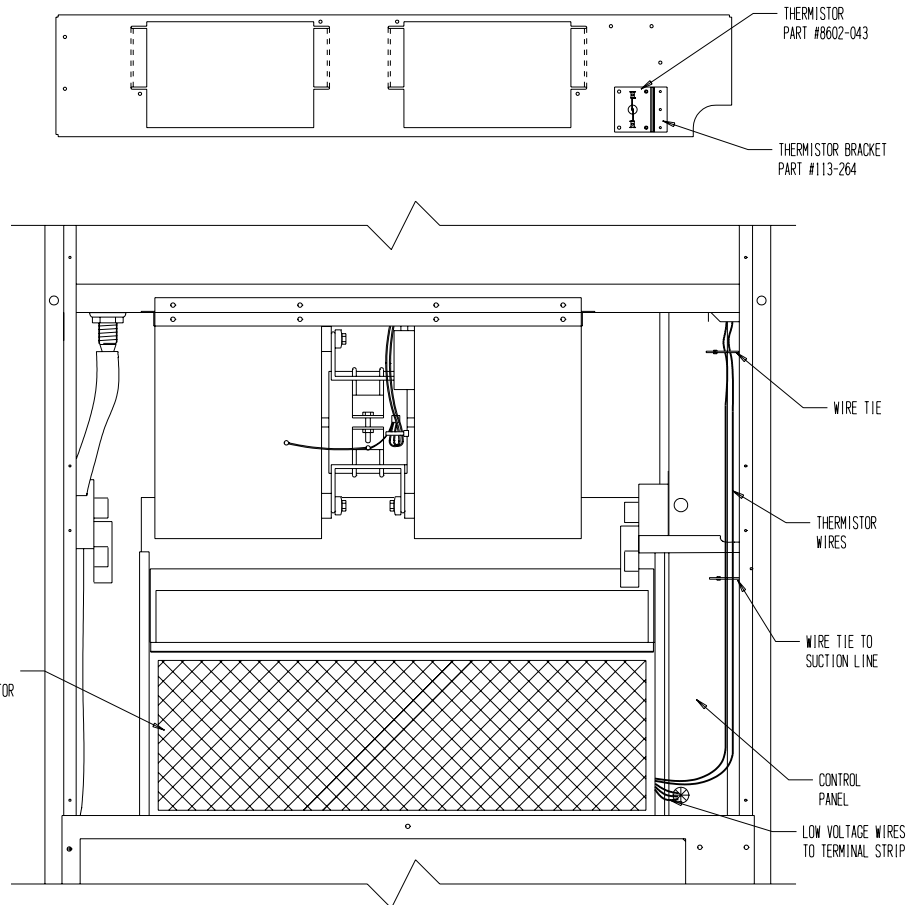


5. **FOR RIGHT HAND UNITS** Install economizer by inserting the economizer into the unit to the far left side clearing the right filter bracket. Once the economizer is fully inserted, slide the economizer to the right until it is tight against the back of the control panel. (See Figure 3.)

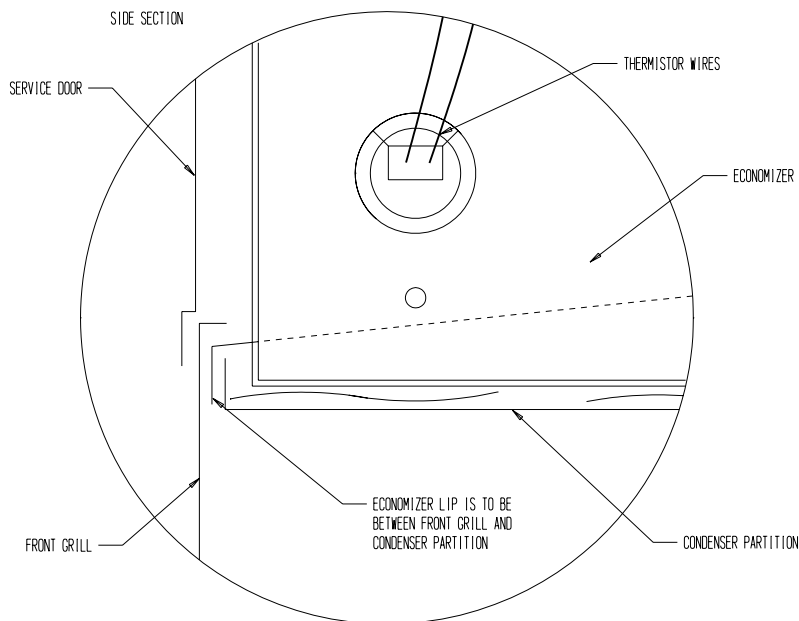
FOR LEFT HAND UNITS Install economizer by inserting the economizer into the unit to the far right side clearing the left filter bracket. Once the economizer is fully inserted, slide the economizer to the left until it is tight against the back of the control panel.

FIGURE 3

TOP VIEW OF BLOWER PARTITION



SIDE SECTION



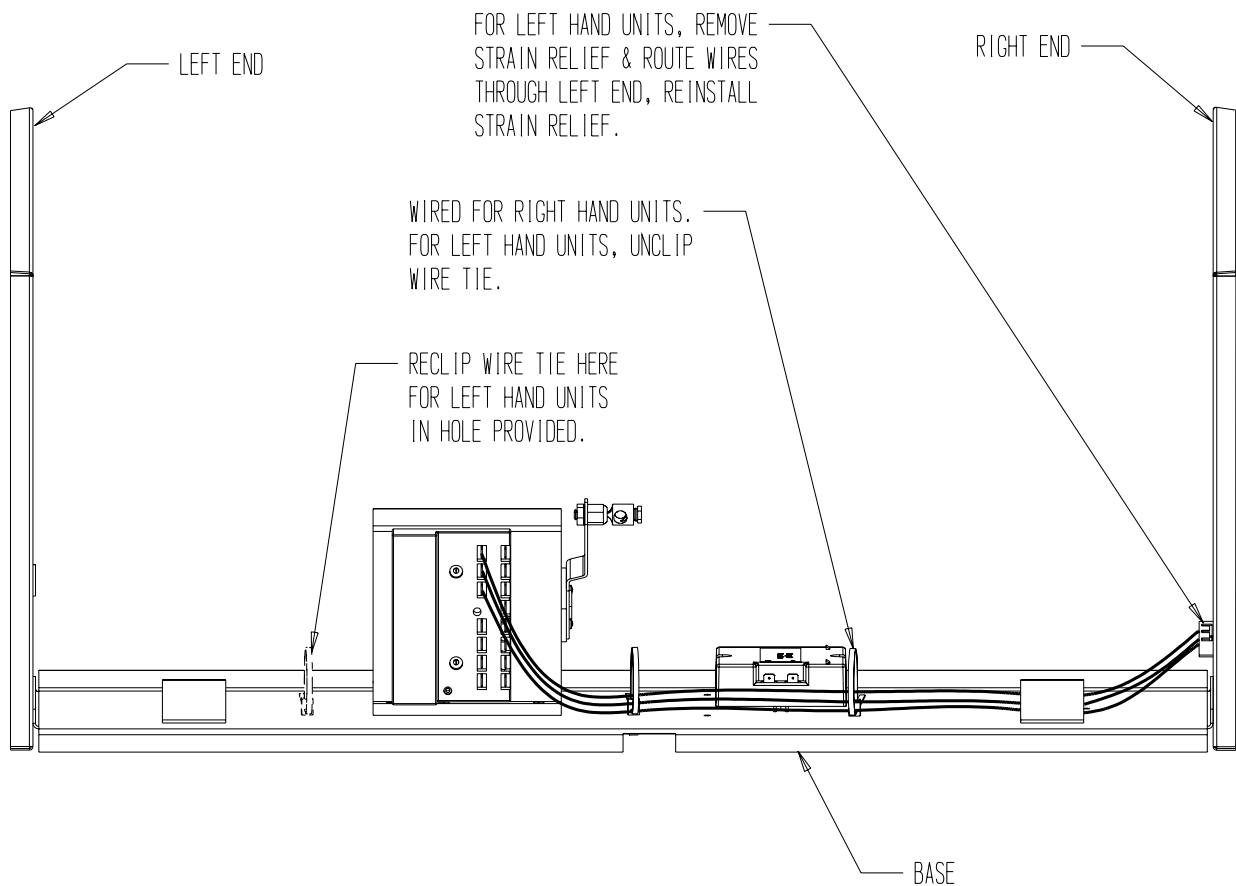
MIS-346

IMPORTANT: Position front lip of economizer under front grille and on top of condenser partition. (See Figure 3 inset.) This is important to ensure proper drainage of any water entering damper assembly.

6. Mount mixed air thermistor to blower partition as shown with screws provided. Bracket with sensor installs on top of blower partition. Screws are inserted from the underside. Route wires as shown and secure with wire tie. Connect wires to thermistor. (See Figures 2 & 3.)

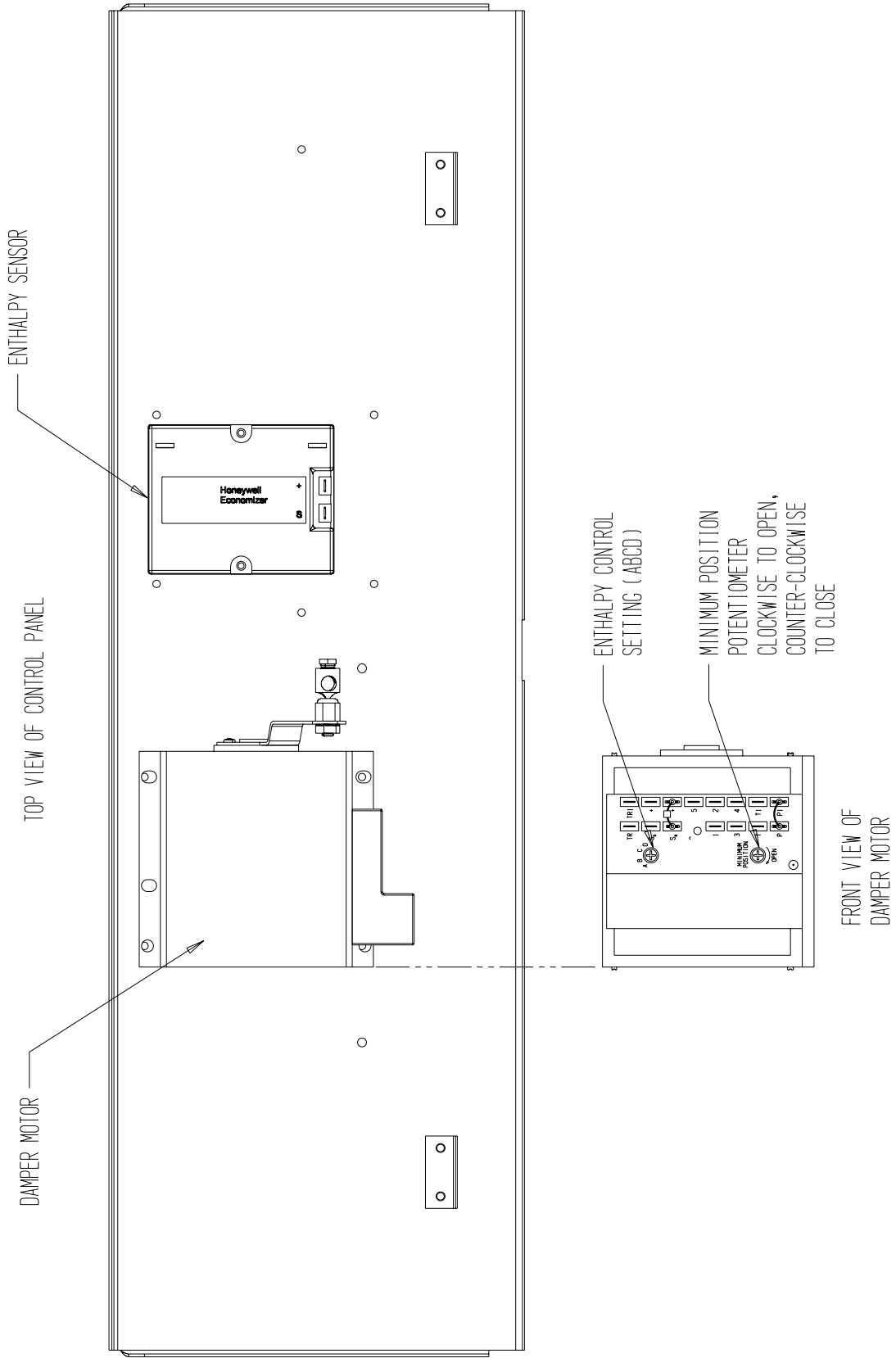
7. Open unit control panel to gain access to unit low voltage terminal block.
8. **FOR LEFT HAND UNITS** Reroute economizer wiring harness to the left side. (See Figure 4.)
9. Route electrical harness leads through the 7/8" bushing in control panel (Figure 5) into low voltage box.

FIGURE 4



MIS-1355

FIGURE 5
TOP VIEW OF CONTROL PANEL



MIS-350

9. Connect lead with fork terminal to corresponding points on terminal strip. Re.: C.Y.G. (See wiring diagram.)
10. Wire nut leads with 5/8" stripped ends to Y1 and Y2 leads from thermostat. See wiring diagram in this manual or on economizer.

NOTE: Wires referenced in Note 1 on wiring diagram are for special control application only and are not normally used. These wires may be used in conjunction with other circuitry to open the damper regardless of outside temperature and humidity. Consult factory for details.

11. Close control panel cover
12. Reinstall the blower access panel at top of unit and secure with sheet metal screws.
13. Replace filter bracket, filter and four (4) screws in front condenser grille.
14. **ECONOMIZER CHECK OUT**
 - A. Remove mist eliminator (Figure 3). Locate the minimum position potentiometer. (See Figure 5.)
 - B. Energize the evaporator blower by switching thermostat to the manual fan position with heat /cool in the OFF position.
 - C. Cycle the minimum position potentiometer (factory set for 0% fresh air) 0 to full open. (See Figure 5.) Throughout checkout procedure observe operation of damper to insure there is free, unobstructed operation through the entire angle of damper travel. Then adjust the damper minimum open position to meet local codes or application requirements. See example below.

EXAMPLE:

1. Measure return air temperature (RAT) (assume 75°F for example).
2. Measure outdoor air temperature (OAT) (assume 60°F for example).
3. Calculate the mixed air temperature (MAT) which will result from the desired combination of OAT (10 percent) and RAT (90 percent).

$$.1 \text{ OAT} + .9 \text{ RAT} = \text{MAT}$$

or substituting example values

$$.1 (60^\circ \text{ F}) + .9 (75^\circ \text{ F}) = 73.75^\circ \text{ F}$$

4. Adjust the minimum position potentiometer knob until proper mixed air temperature, as calculated above, is reached. Care should be taken to insure thermometer is sensing air that is well mixed.

5. Mark correct setting on dial of minimum position potentiometer for future reference.

- D. Adjust the enthalpy control to position A, B, C, or D to achieve the maximum combination of temperature and humidity acceptable for the installation as per Table 2 below. The suggested setting is between A & B 70° DB @ 55 percent RH. Further recommendation is to always set the control at C or above. (See Figure 5.)
- E. Switch the thermostat fan control to automatic, and position the heat cool switch to cool. Adjust the thermostat temperature to engage the first stage of cooling only (Y). This will cause the dampers to modulate to achieve mixed air temperature of 55° provided outside air enthalpy is sufficiently low. If enthalpy is too high for economizing, low enthalpy can be simulated by temporarily removing and jumping leads on terminal 2 and 3 of enthalpy control together. This will also cause the economizer damper to modulate away from minimum position. *(Be sure to properly reconnect leads at end of checkout procedure.)*
- F. Readjust temperature on the thermostat to engage the second stage of cooling (Y2). The damper motor should return to previously set minimum position. Compressor motor should start.
- G. Switch thermostat to OFF fan and OFF heat/cool positions to de-energize unit. Economizer damper should return to full closed (100 percent return air) position. Checkout is complete.
15. Replace control access panel and mist eliminator.
16. Remove blank off plate or barometric fresh air damper if installed on the service access panel. Plug the four (4) holes used to mount the BOP or BFAD with the plastic plugs supplied with the economizer.
16. Replace service access panel.
17. Economizer is now ready for operation.

**TABLE 2
ENTHALPY CONTROL SETTING**

	Dial Setting	20% RH	50% RH	80% RH
Enthalpy Control Setting	A	80 deg .F (26 deg. C)	73 deg. F (23 deg. C)	66 deg. F (19 deg.C)
	B	76 deg. F (24 deg. C)	70 deg. F (21 deg. C)	63 deg. F (17 deg. C)
	C	74 deg. F (23 deg. C)	66 deg. F (19 deg. C)	59 deg. F (15 deg. C)
	D	71 deg. F (21 deg. C)	63 deg. F (17 deg. C)	54 deg. F (12 deg. C)

ECONOMIZER – WA, WL & WH SERIES

FEATURES

- One piece construction – easy to install with no mechanical linkage adjustment required.
- Exhaust air damper – built in with positive closed position. Provides exhaust air capability to prevent pressurization of tight buildings.
- Actuator motor – 24 volt, power open, spring return with built in torque limiting switch.
- Proportioning type control – for maximum “Free Cooling” economy and comfort with up to 100% outside air.
- Enthalpy control to monitor outdoor temperature and humidity – adjustable.
- Minimum position potentiometer – adjustable to control minimum damper blade position.
- Mixed air sensor to monitor outdoor and return air to automatically modulate damper position.

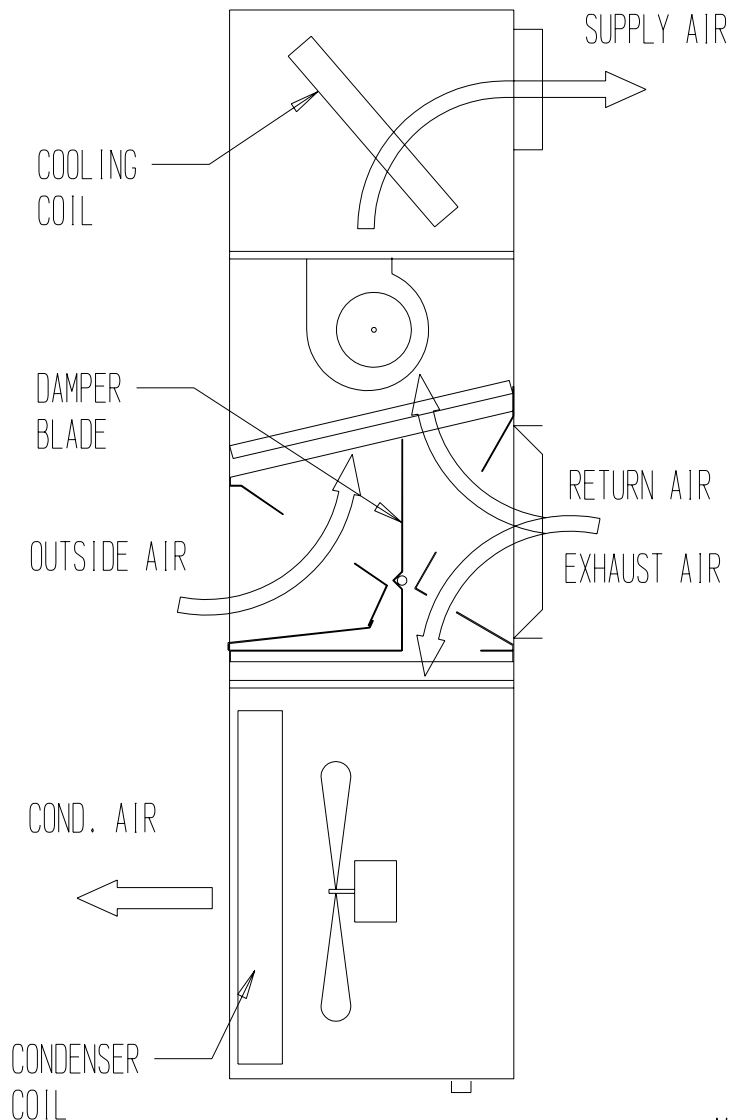
ECONOMIZER SEQUENCE OF OPERATION

CONDITION A – COOL OUTDOORS

First stage cooling closes and powers the economizer dampers to economizer mode and the indoor blower starts. Mixed Air Sensor senses a mixture of return air and outdoor air and modulates the dampers accordingly. Compressor operation is inhibited. (See Figure 6.)

If second stage closes on the thermostat, the dampers return to the closed or minimum position setting and the compressor starts for mechanical cooling.

**FIGURE 6
ECONOMIZER OPERATION**

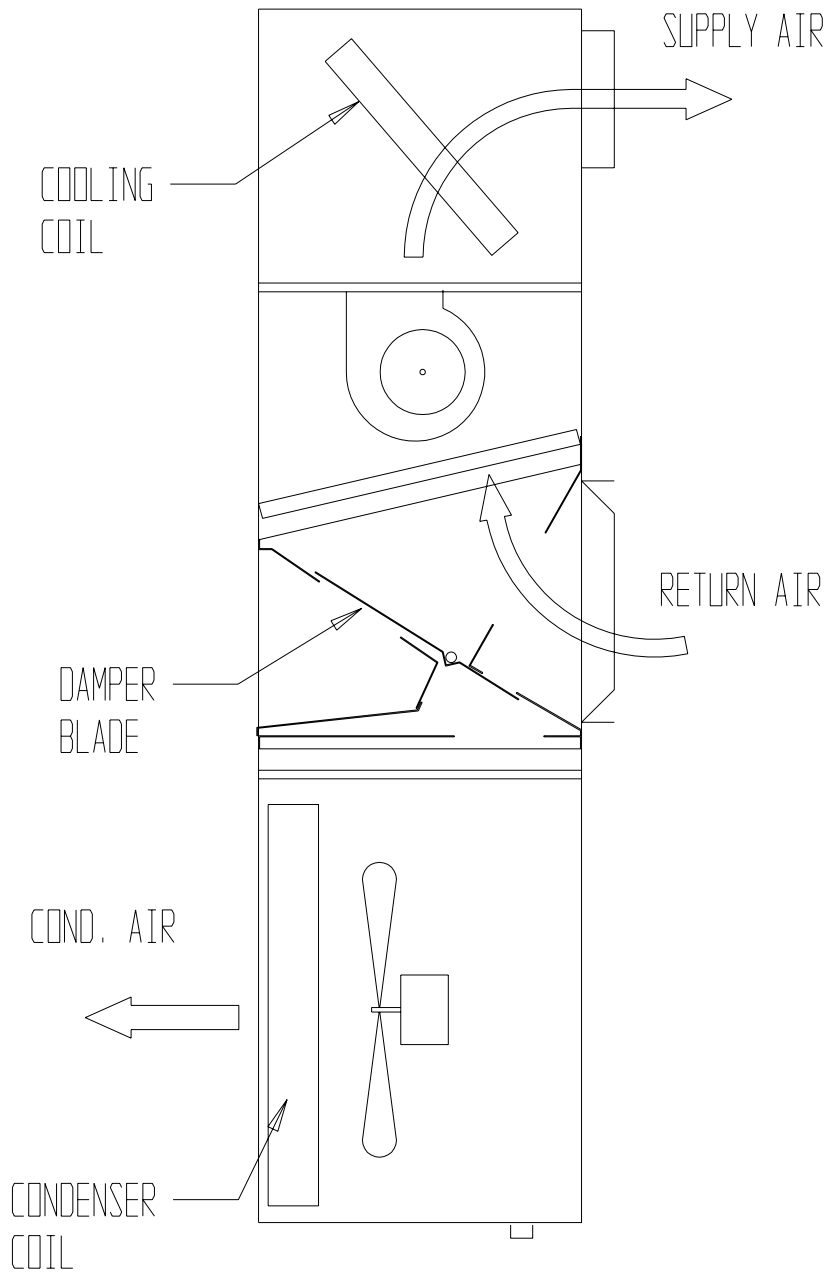


MIS-347

CONDITION B – WARM OUTDOORS

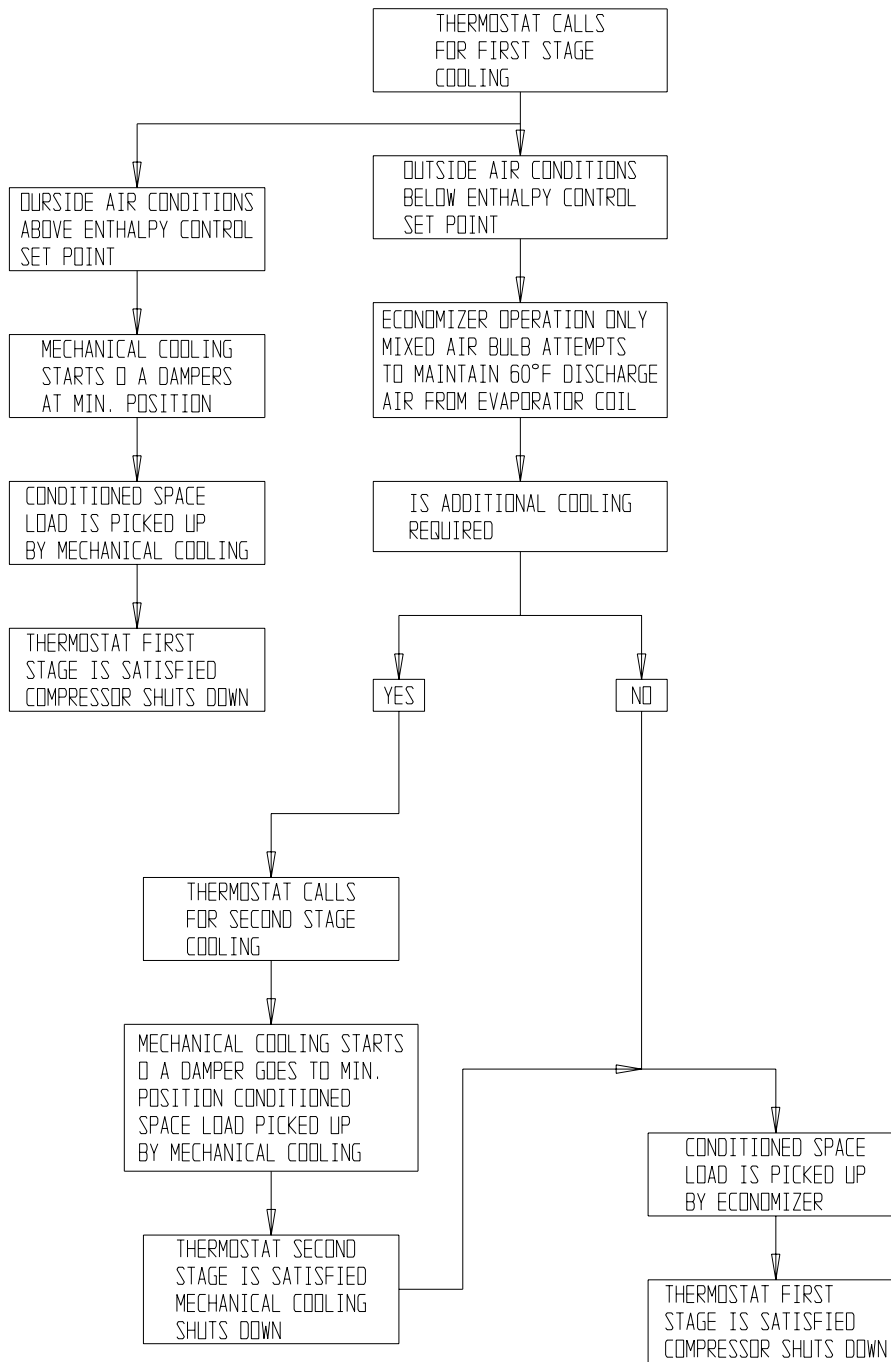
First stage cooling cycles and compressor and dampers remain in mechanical cooling mode.

**FIGURE 7
MECHANICAL COOLING OPERATION**



MIS-348

**FIGURE 8
ECONOMIZER OPERATION
FOR SINGLE COMPRESSOR UNIT**

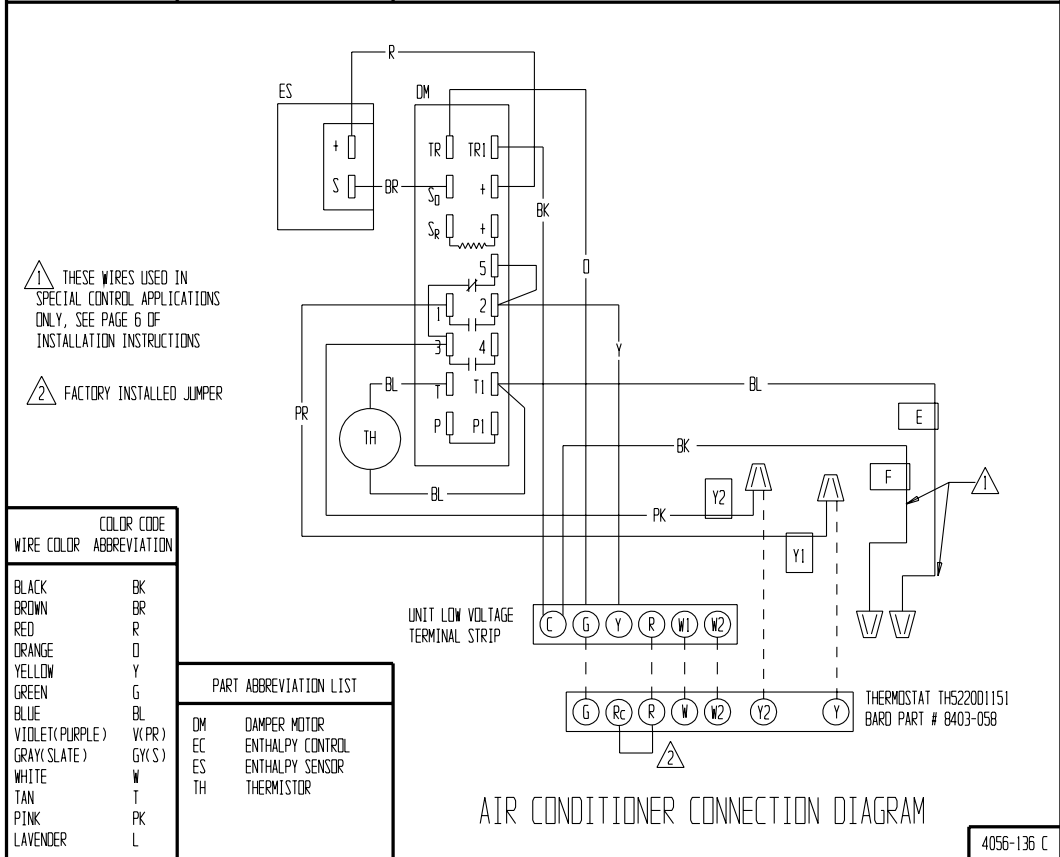
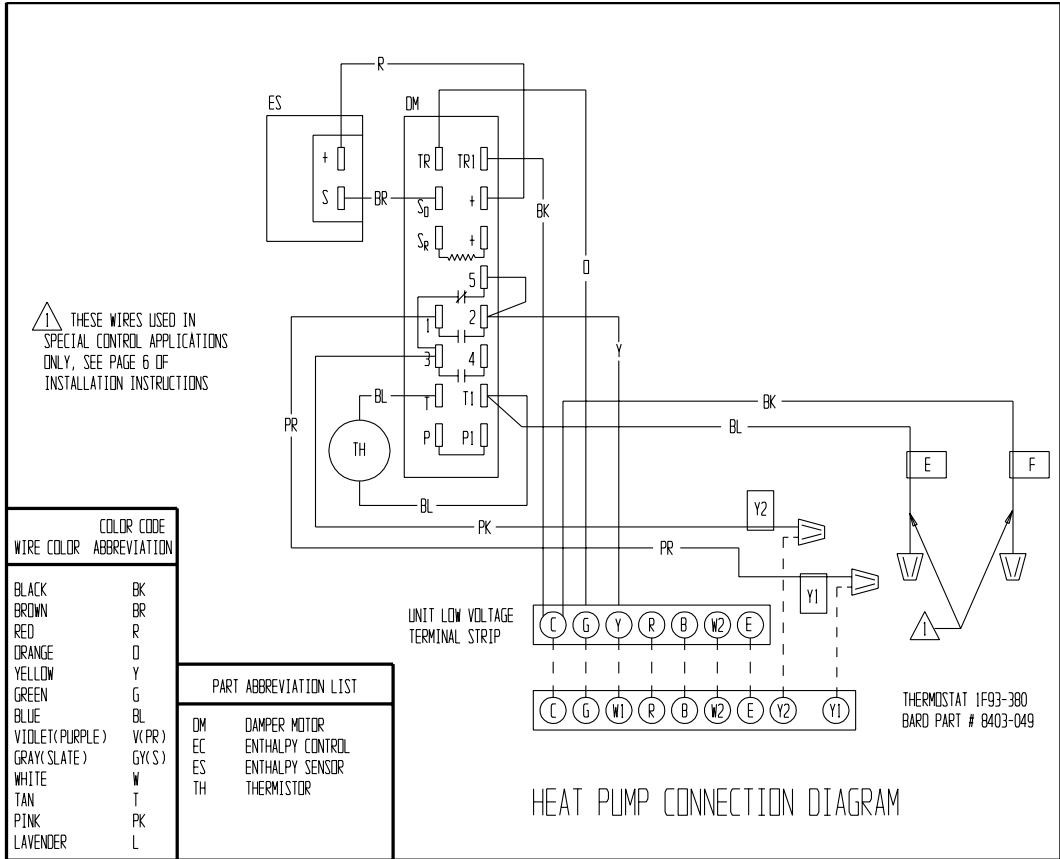


MIS-1351

WALL THERMOSTATS

FOR HEAT PUMPS WITH ECONOMIZER
 Thermostat Part 8403-060 Programmable or Non-Programmable Multi-Stage Heat/Cool & Heat Pump Thermostat. Automatic or Manual Changeover (Digital Electronic). 3 Stage Cool / 3 Stage Heat

FOR AIR CONDITIONING WITH ECONOMIZER
 Thermostat Part 8403-060 or 8403-058. 8403-058 Configurable Multi-Stage Heat/Cool or Heat Pump Thermostat. Automatic or Manual Changeover (Digital Non-Programmable Electronic). 2 Stage Cool/2 Stage Heat



4056-136 C

Free Manuals Download Website

<http://myh66.com>

<http://usermanuals.us>

<http://www.somanuals.com>

<http://www.4manuals.cc>

<http://www.manual-lib.com>

<http://www.404manual.com>

<http://www.luxmanual.com>

<http://aubethermostatmanual.com>

Golf course search by state

<http://golfingnear.com>

Email search by domain

<http://emailbydomain.com>

Auto manuals search

<http://auto.somanuals.com>

TV manuals search

<http://tv.somanuals.com>