

VAMPYR®

731 i electronic DIAMANT  
731 i, 732 i, 751 i electronic  
comfort electronic i

Bodenstaubsauger

Cylinder vacuum cleaner

Aspirateur-traîneau

Stofzuiger, sledemodel

Aspirapolvere da pavimento

Aspiradora arrastrable

Ηλεκτρική σκούπα

Gebrauchsanweisung

Operating instructions

Mode d'emploi

Gebruiksaanwijzing

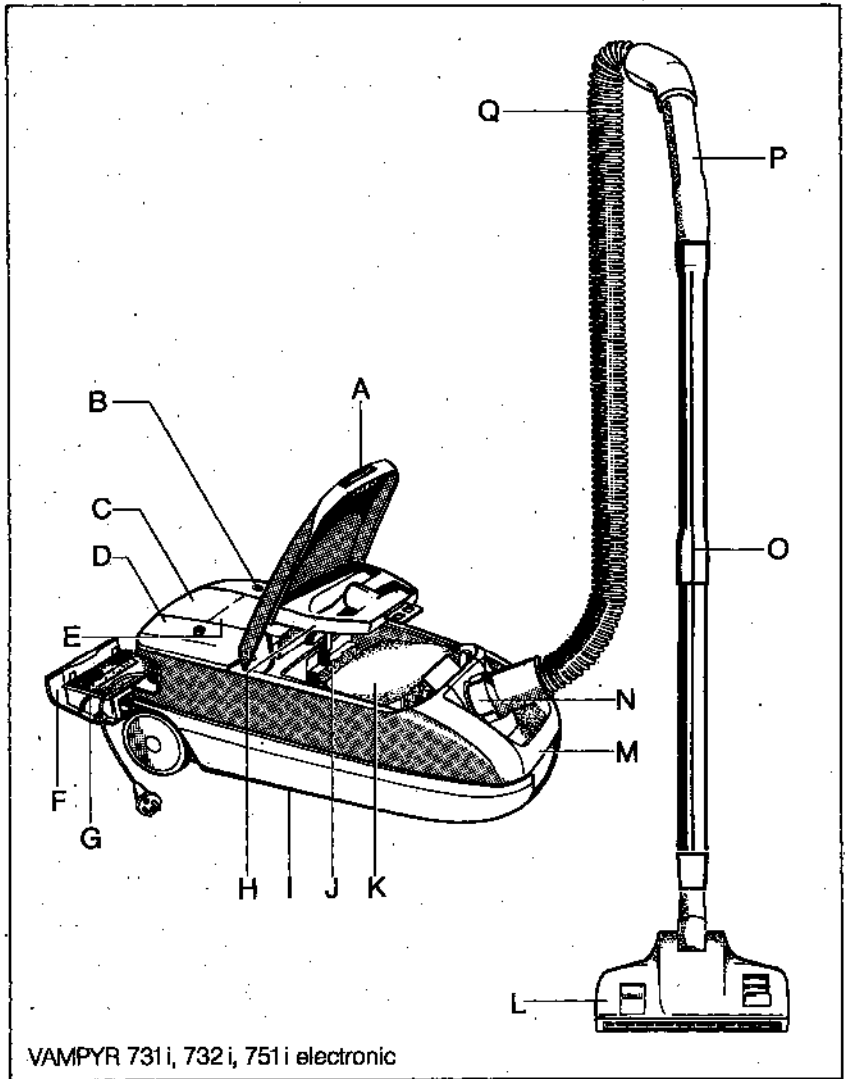
Istruzioni per l'uso

Instrucciones para el uso

Οδηγίες χρήσεως

**AEG**

**AUS**  
**ERFAHRUNG**  
**GUT**



VAMPYR 731i, 732i, 751i electronic

- |  |                                     |
|--|-------------------------------------|
| A = Opening button for paper dustbag compartment | I = Storage rail                    |
| B = On/Off button                                | J = Motor-protection filter         |
| C = Electronic power control                     | K = Paper dustbag                   |
| D = Foot-operated flex rewind button             | L = Floor cleaning head             |
| E = Dustbag full indicator                       | M = Carrying handle                 |
| F = Micro-filter cassette                        | N = Button for suction hose removal |
| G = Accessories compartment                      | O = Suction tube                    |
|  | P = Handle                          |
|  | Q = Suction hose                    |

## Contents

<b>Description of appliance</b>	16
<b>Before using the appliance for the first time</b>	18
<b>Safety instructions for the user</b>	18/19
<b>Assembling the vacuum-cleaner ready for use</b>	
Fitting suction hose and tube/s together	20
Suction tube/Telescopic tube	20
Connecting suction hose	20
Mains connection/Flex rewind	21
<b>Using the floor cleaning head &amp; accessory nozzles</b>	
Using the floor cleaning head	21
Accessory nozzles	22
<b>Switching on and adjusting</b>	
Switching on	23
Adjusting power	23
<b>Maintenance and cleaning</b>	
Changing the paper dustbag	24
Changing the micro-filter/ultra-micro-filter	25
Motor protection filter	25
<b>Transportation and storage</b>	26
<b>What do I do if...?</b>	26/27
<b>Special accessories</b>	28/29
<b>For the sake of the environment</b>	29
<b>AEG Service Centres in Europe</b>	103



## Before using the appliance for the first time

Please read all the information contained in this booklet. It gives you important instructions on safety, use, and maintenance of the appliance. Please keep these instructions in a safe place and pass them on, if necessary, to the next owner.

## Safety instructions for the user

- This appliance meets the radio interference suppression requirements of EC Directive 82/499 EC and 87/308 EG, EN 55014/DIN VDE 0875 Part 1, as well as the standards concerning the reverse effects of electrical appliances on the power mains EN 60 555 Parts 1-3/DIN VDE 0838 Parts 1-3, of June 1987.
- This appliance must only be connected to the same mains voltage as shown on the rating plate.
- The circuit of the socket used must be protected with a fuse of at least 13 A.
- Never use the flex to pull the mains plug out of the plug socket.
- Do not operate the appliance if:
  - the flex is damaged
  - the housing shows visible signs of damage.
- Avoid running over the flex with the appliance, cleaning head or electric power cleaning head.
- **If no paper dustbag is inserted the cover cannot be closed. Please do not use force!**
- Make sure a paper dustbag, a MICROFILTER, and a motor protection filter are always inserted.
- This vacuum cleaner should only be used for normal dry household dust and dirt. It must not be used on people or animals.  
Keep children away from electrical appliances.  
The manufacturer cannot be held responsible for any damage caused by use or operation of the appliance contrary to these instructions.
- Allow fitted carpets that have been shampooed to dry out completely. Never use your vacuum cleaner to vacuum liquids, otherwise it may be damaged. There is also a risk of an electric shock.
- Never use your appliance to vacuum matches, glowing embers, or cigarette-ends. Avoid vacuuming hard, pointed objects, since they may damage the appliance or paper dustbag.
- The appliance must be stored in such a way that any weather conditions cannot affect the appliance. The appliance must not be subjected to humidity or heat sources.
- If the flex is defective, the complete flex rewind unit should be replaced by your AEG Service Centre or an authorised AEG Service Agent.
- Repairs to electrical appliances should only be carried out by a trained electrician. Improper repairs may place the user at serious risk.
- If your vacuum cleaner has a fault, please contact your electrical retailer or the AEG Service Centre direct.
- If the appliance is wrongly operated for a purpose other than that for which it is intended, no liability can be accepted for any possible damage.

### **important for users in the UK**

The wires in the mains lead of this appliance are coloured in accordance with the following code:

**BLUE – neutral**                      **BROWN – live**

As the colours of the wires in the mains lead of this appliance may not correspond with the coloured markings identifying the terminals in your plug, **PROCEED AS FOLLOWS:**

The wire which is coloured **BROWN** must be connected to the terminal which is marked **L** or coloured **RED**.

The wire which is coloured **BLUE** must be connected to the terminal which is marked **N** or coloured **BLACK!**

**VERY IMPORTANT:** Neither wire is to be connected to the earth terminal of a 3 pin plug.

If a 13 amp plug is fitted, fit a 13 amp BS 1362 fuse. If any other type of plug is used, protect with a 15 amp fuse at the distribution board.

For appliances which come with mains lead and plug moulded on: the plug moulded on to the cord incorporates a fuse. For replacement use a 13 amp BS 1362 fuse. Only ASTA approved or certified fuses should be used. The fuse cover/carrier must be replaced in the event of changing the fuse. The plug must not be used if the fuse cover/carrier is lost. A replacement cover/carrier must be obtained from authorised electrical goods retailers.

### **WARNING**

Should it become necessary to replace the moulded on plug then the defective plug should be destroyed **to avoid any possible shock hazard that could occur should such a plug be inserted into a 13 amp socket elsewhere in the house.**

### **AEG Service Locations in the United Kingdom**

#### **AEG UK Limited Head Office**

217 Bath Road  
Slough, Berks. SL1 4 AW  
Tel.: 07 53 87 25 06  
Telex: 8 47 541  
Telefax: 07 53 51 22 71

#### **AEG Northern Service Centre**

Unit 20, Haigh Park/Haigh Avenue  
Stockport  
Gt. Manchester SK4 1QR  
Tel.: 061 487 22 05  
Telefax: 061 474 11 91

#### **AEG Scottish Service Centre**

Block 11, Unit 1  
Dundyvan Industrial Estate  
Coatbridge  
Lanarkshire ML5 4AQ  
Tel.: 02 36 44 03 87  
Telefax: 02 36 44 02 56

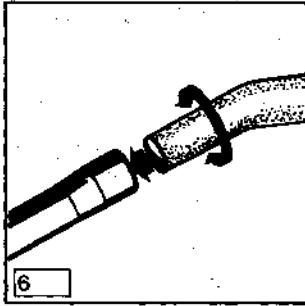
#### **Service Appointments**

Bristol Tel.: 02 72 25 28 80  
(call diverted to Slough)  
  
Norfolk Tel.: 06 03 76 55 15  
(call diverted to Slough)

## Assembling the vacuum-cleaner ready for use

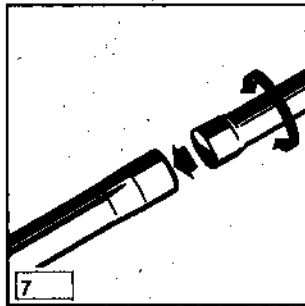
The hose, tubes and accessories can be fitted together by pushing and twisting, and taken apart by twisting and pulling.

### Fitting the suction hose and suction tube together



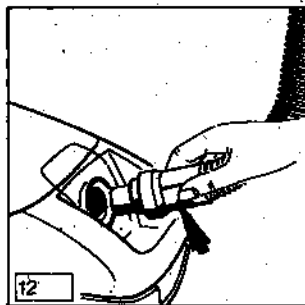
Push the tube end of the hose firmly into the suction tube.

### Fitting the suction tubes together



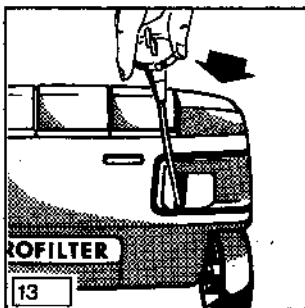
Push the two tubes into one another and twist, to secure firmly.

### Connecting the suction hose



Insert the hose holder into the suction opening. When the hose is to be disconnected from the appliance, press the release button and pull the hose holder out of the suction opening.

## Mains connection/Flex rewind

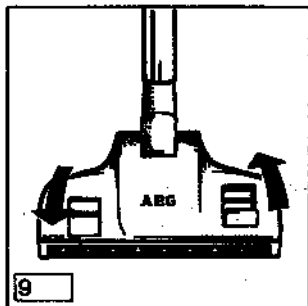


The mains cable is located in the cable compartment. Press the foot button for the cable, and pull the cable out. Insert the plug into the socket. At the end of vacuuming switch off and pull the plug out of the socket. Press the flex rewind button and the cable rewinds automatically.

## Using the cleaning head and accessory nozzles

The cleaning head and nozzles are attached to the suction tube by pushing and twisting, and taken apart again by twisting and pulling.

## Using the floor cleaning head



For care of carpets and hard floors, the cleaning head can be adjusted to suit the type of floor with your foot:

for carpets



Symbol for carpet, brush withdrawn

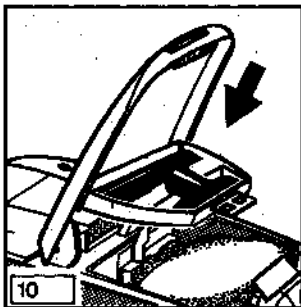
for hard floors



Symbol for hard floor, brush extended

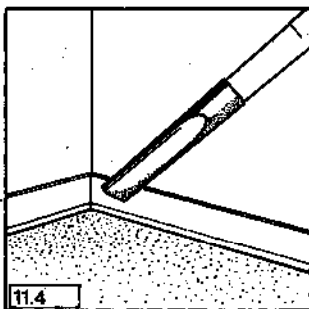
For other optional extra floor cleaning heads see Special Accessories.

## Accessory Nozzles – Crevice and Upholstery



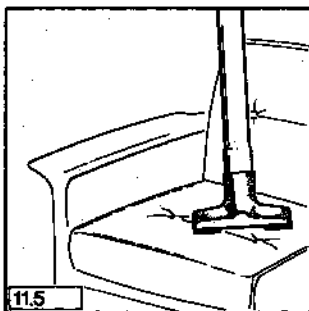
The integrated accessories compartment contains 2 nozzles – crevice and upholstery. Open the compartment by pressing the button vertically downwards.

### Crevice Nozzle



For vacuuming in those normally inaccessible places i.e. reaching cobwebs, or down the side of a sofa!

### Upholstery Nozzle



For vacuuming upholstery, mattresses, etc. The thread collectors help to pick up the threads and fluff.

The crevice and upholstery nozzles can be attached to the suction tubes as well as the handle of the suction hose.



## Switching on and adjusting

### Switching on



Press the On/Off-button to switch the vacuum cleaner on or off.

### Adjusting power – rotating/sliding regulator

The vacuuming power can be adjusted to suit any situation with the electronic power control.



250 W = For delicate fabrics, e.g. net curtains



500 W = For upholstery



650 W = Economy setting for light to normally soiled carpets



750 W = For non-fitted carpets (mats and rugs)

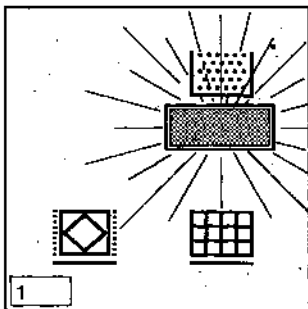


max = For hard floors and heavily soiled carpets

## Maintenance and cleaning

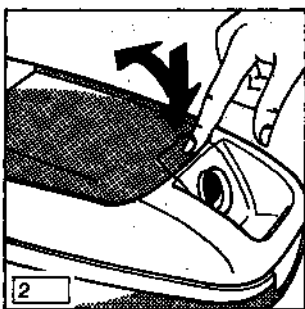
Before the appliance is cleaned or maintenance is carried and it has to be switched off and unplugged from the mains supply.

### Changing the paper dustbag

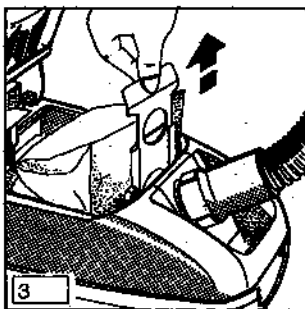


The dustbag needs changing when the cleaner is set to maximum power and the cleaner head is off the floor but the "bag full" indicator window is completely coloured red.

Even if the dustbag does not appear to be full at this stage, it should be changed. It could be that a great deal of very fine dust has clogged up the pores of the dustbag.



Open the cover by pressing the button, and lifting it up until it snaps into place.



Hygienic dustbag change: when you take out the full dustbag, you automatically cover the opening by pulling on the closure tag. You may have to overcome a slight resistance as you pull.

Full dustbags can be disposed of with the normal household rubbish.

Push the new dustbag into the guide rails as far as it will go, only then will the cover close. If no dustbag is inserted the cover cannot be shut. Please do not use force!

### Paper dustbag sizes

Please use original AEG dustbags, **Size 22**, or dustbags which carry the AEG Quality Seal. They are available from electrical retailers under the order-number E 618 899 682, or from the AEG Service Centre under ET-No. 668 901 262. Damage resulting from the use of any other dustbag is not covered by the Guarantee.

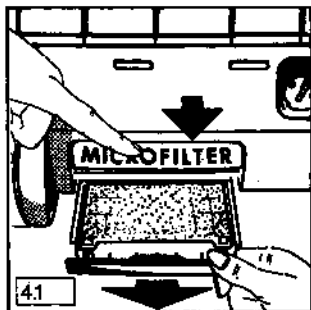
## Changing the micro-filter/ultra-micro-filter

Switch off and pull out the mains plug before changing the micro-filter.

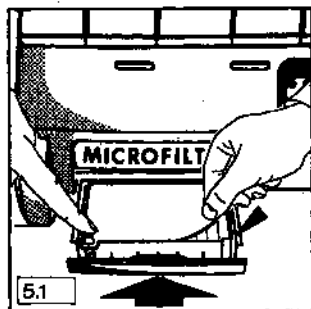
Changing the micro-filter/ultra-micro-filter is necessary:

**For appliances with no micro-filter indicator** – when the dustbag full indicator lights up, even when a clean dustbag has been inserted, with the appliance switched on, hold the head/nozzle upwards or off the floor, if the light remains on, this indicates the micro-filter should be changed. We recommend changing the micro-filter with every fifth bag.

**For appliances with micro-filter indicator** – when this comes on.



The cassette can be opened by pressing the micro-filter button. Take out the cassette in the direction of the arrow and empty the micro-filter over a dustbin – this avoids you touching the dirty micro-filter.



Insert the new micro-filter into the cassette as shown in the illustration, push it back in parallel to the floor, and snap the cover shut.

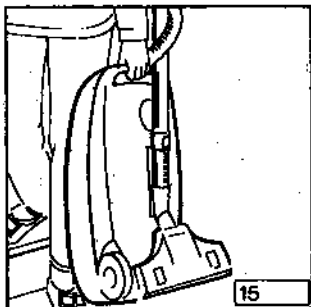
## Motor protection filter

The motor protection filter is a permanent filter and does not have to be changed regularly. Exception: if it has been damaged. See "What to do if...".

## Cleaning

The cleaner housing and dustbag compartment can be cleaned with a damp cloth and then wiped dry with a soft cloth. Do not use any abrasives or solvents. The underside of the cleaner head can be cleaned with the crevice nozzle from time to time.

## Transportation and storage



For easier storage and for transporting the appliance, slide the floor cleaning head or the ROTO-SOFT 1000 Turbo-brush into the storage rail.

## What to do when ...

### ... the motor protection is activated?

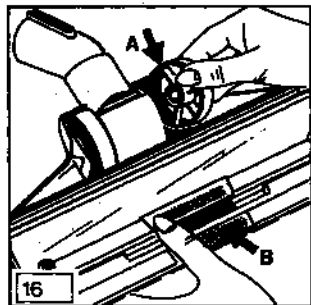
When the paper dustbag is full or blocked or any of the accessories are blocked the over-heating protection for the motor is activated. Switch off and unplug the vacuum cleaner and allow the motor to cool down.

Check the paper dustbag and accessories and remove any blockages. The cleaner can be switched on again after 30 minutes.

### ... the fuse blows or trips?

If you connect other electrical appliances with a high wattage to the same mains circuit and use them at the same time as the vacuum cleaner, this can trip the fuse. This can be avoided if you set the electronic power control to 250 W before you switch on, and only select a higher output level after switching on.

### ... the thread-collectors are worn out?

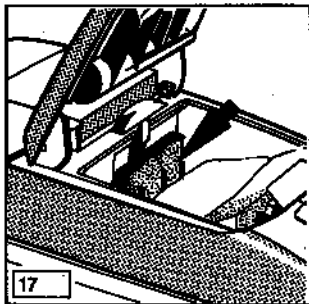


If the thread-collectors (B) at the suction opening are worn out or stuck together, you can fit ones. They can be ordered from the AEG Service Centre under the ET-No. 668 900 560.

### ... the wheels of the floor cleaning head are hard to move?

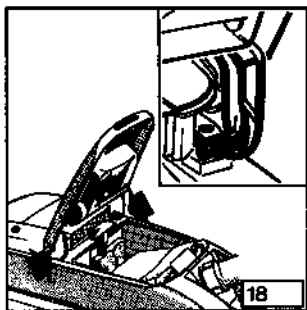
Remove any hairs or threads which have become wrapped round the axle of the roller. The wheels can be removed for cleaning. Pull roller (A) as illustrated. Remove hairs and threads. When replacing it, the semi-circular axle-head must point inwards. If the roller axle is inserted wrong way round the swivel joint could suffer damage.

... the paper dustbag has been damaged and there is dirt in the motor protection filter?



Remove the motor protection filter, clean it (by shaking the dirt out), and re-insert it.

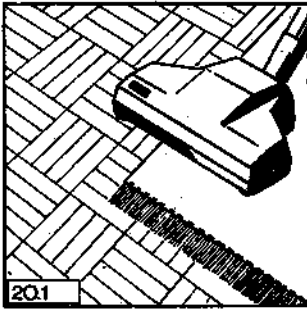
... the lid comes out of the hinge?



If the lid of the vacuum cleaner has been opened too far, beyond the stop, and comes out of the hinge, place it back on the housing and press it down until it clicks into place.

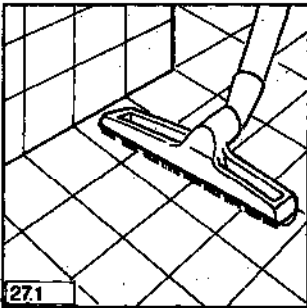
## Special accessories

### ROTOSOFT 1000 turbo-brush



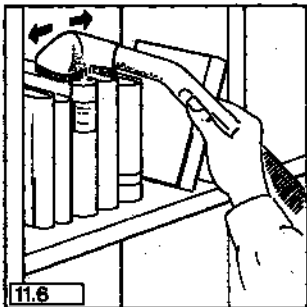
The ROTOSOFT 1000 makes the care of carpets and hard floors easier. The rotary motion of its brush gently loosens shortpile carpets where the dirt has been trodden in.

### Special nozzle



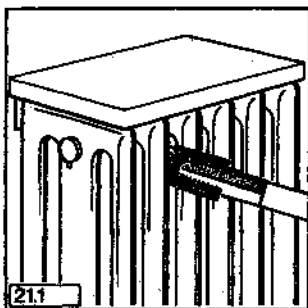
For use on parquet, tiled and hard floors.

### Dusting Brush with swivel joint



For gentle vacuuming of delicate fabrics and objects, i.e. curtains, furniture, books, pictures etc.

## Radiator Brush



For dusting between the ribs of radiators, between shelves, or in other narrow gaps. Attach to crevice nozzle.

## For the sake of the environment

Please do not simply throw away the packaging material, or old appliances that have served their time.

### Appliance packaging:

- The cardboard carton can be sent to the waste-paper collection.
- The polyethylene plastic bag can go to the plastic collection-point for recycling.

### Recycling the appliance at the end of its life:

- The plastic parts are identified with numbers so that they can be sent for recycling when the appliance is taken out of service.

Please ask your municipal authority where the local recycling collection-points are.

# AEG Kundendienst in Europa

52070 Aachen, Grüner Weg 22-24  
63741 Aschaffenburg, Demmer Straße 5  
86167 Augsburg-Lechh., Raiffeisenstraße 13  
14199 Berlin, Hohenzollerndamm 150  
33609 Bielefeld, Schillerstraße 44  
53113 Bonn, Friedrich-Ebert-Allee 26  
71034 Böblingen-Halb, Dornierstraße 7  
38102 Braunschweig, Carnestraße 7  
28207 Bremen, Haselacker Osterfeld 222  
41541 Dormagen-St. Peter, Sachtlebenstraße 1  
44139 Dortmund, Rheinlanddamm, AEG Haus  
01099 Dresden, Industriegelände, Straße E  
Düsseldorf (Kundendienst in 41641 Dormagen)  
98096 Erfurt, Arnstädter Straße 28  
45329 Essen-Altenessen, Teilungsweg 28  
60326 Frankfurt/Main, Mainzer Landstraße 349  
78108 Freiburg, Tullasstraße 84  
36000 Fulda, Michael-Henkel-Straße 4-6  
35390 Gießen, Schanzstraße 1-5  
85462 Glinde-Gustavsburg, Darmstädter Landstraße 47  
22625 Hamburg-Bahrenfeld, Holstenkamp 40  
30179 Hannover, Max-Müller-Straße 50-56  
74072 Heilbronn, Weinsberger Straße 18  
95032 Hof, Wunsiedler Straße 58  
67855 Kaiserslautern, Jägerstraße 10-12  
78186 Karlsruhe, Neureuter Straße 5-7  
34123 Kassel-Waldau, Otto-Mahn-Straße 5  
87437 Kempten, Brodtkorweg 22  
24113 Kiel, Rendsburger Landstraße 206  
68068 Koblenz, Rheinstraße 17  
Köln (Kundendienst in 41641 Dormagen)  
04299 Leipzig, Holzhäuser Straße 120

Mainz-Kostheim,  
(Kundendienst in 65462 Glinde-Gustavsburg)  
68309 Mannheim-Käfertal, Heppenheimer Str. 31-33  
80634 München-Neuhausen, Arnulfstraße 206  
48153 Münster, Friedrich-Ebert-Straße 7  
90429 Nürnberg, Muggenhofer Straße 135  
77656 Offenburg, Industriestraße 4  
49084 Osnabrück, Pferdstraße 23  
94032 Passau, Weinholzer Weg 9  
88213 Ravensburg, Henri-Dunant-Straße 6  
93055 Regensburg, Bukarester Straße 12  
83024 Rosenheim, Färbarstraße 9  
18055 Rostock, Lange Straße 1a  
86121 Sarnbrücken-St. Johann, Mainzer Straße 176  
57072 Siegen, Sandstraße 173  
Stuttgart (Kundendienst in 71034 Böblingen)  
54292 Trier, Paulinstraße 152  
89073 Ulm, Neue Straße 113-115  
97076 Würzburg, Verabacher Straße 22a

Österreich, 1210 Wien, (02 22) 38 01-83 33  
Belgien/België, 1800 Vilvoorde, 02/370.08.98  
Dänemark, 2820 Albertslund, 42-84 85 22  
España, Madrid, (91) 675.66.50/54/68/62  
France, 92140 Clamart Cedex, 16 (1) 45 37 96 50  
Great Britain, Slough, 07 53-87 25 06  
Helles, Moschaton-Athen, 01/48 22 846  
Island, Reykjavik (Brádurmið Ormaðon Ltd.) 91-3 88 20  
Italia, Cusano Milanino MI 02/6 13 47 80/68 1976 90  
Luxembourg, 1248 Luxembourg-Kirchberg, 43 888-4  
Nederland, 1066 BP Amsterdam, 0 20-510 58 11  
Norvege, 2000 Lillestrøm, 06-81 01 01  
Portugal, 1799 Lisboa Cedex, 69 11 77-89 71 21  
Schweiz - Svizzera, 8803 Schwarzenbach 01/945 11 44  
Suomi, 01301 Vantaa 30 (Sähköliikkeen Oy), 90-83 81  
Sverige, 17141 Solna, 08-29 00 80

## Garantiebedingungen

Für dieses Gerät leisten wir – zusätzlich zu den gesetzlichen Gewährleistungen des Händlers aus Kaufvertrag – dem Endabnehmer gegenüber zu den nachstehenden Bedingungen Garantie:

1. Die Garantiezeit beträgt 12 Monate und beginnt mit dem Zeitpunkt der Übergabe des Geräts, das durch Rechnung oder andere Unterlagen zu belegen ist. Die Garantiezeit ist auf 6 Monate beschränkt, wenn das Gerät gewerblich genutzt wird.
2. Die Garantie umfasst die Behebung aller Innerhalb der Garantiezeit auftretenden Schäden oder Mängel des Geräts, die nachweislich auf Material- oder Fertigungsfehlern beruhen. Nicht unter die Garantie fallen Schäden oder Mängel aus nicht vorschrittmäßigem Anschluss, unerschwerter Handhabung sowie Nichtbeachtung der Gebrauchsanweisungen.
3. Im Garantiefall kann das Gerät einer unserer Kundendienst-Stellen oder dem autorisierten Fachhandel übergeben werden.  
Bei Einsendung des Geräts an die für Sie zuständige Kundendienststelle ist darauf zu achten, daß das Gerät gut verpackt, mit vollständigem Abender und – soweit möglich – mit einer kurzen Fehlerbeschreibung versehen wird.
4. Die Garantieleistungen werden ohne jede Berechnung durchgeführt; sie bewirken weder eine Verlängerung noch einen Neubeginn der Garantiezeit. Ausgewachsene Teile gehen in unser Eigentum über.

## Garantie

This appliance is covered by the following guarantee and in addition to your statutory and other legal rights. All components which fail due to defective manufacture will be repaired or replaced free of charge for a period of 12 months from the date of purchase. We will not accept claims if unauthorised modification is made or if non-standard components are used. The appliance must be used in accordance with the operating instructions and the guarantee does not cover any damage caused during transit or through misuse. In order to establish the date of purchase, advice note or similar document must be produced whenever the guarantee is claimed.

## Garantie

Pour toute mise en œuvre de garantie ou de service après vente, vous devez vous adresser à votre vendeur.  
AEG assure au vendeur le remplacement gratuit des pièces détachées nécessaires à la réparation pendant 1 an, à partir de la date de votre facture, sauf en cas de non respect des prescriptions d'utilisation ou lorsqu'une cause étrangère à l'appareil est responsable de la défectuosité.  
Les dispositions stipulées ci-dessus ne sont pas exclusives du bénéfice au profit de l'acheteur de la garantie légale pour défaut et vice cachés qui s'applique, en tout état de cause, dans les conditions des articles 1641 et suivants, du code civil.

## Garantie

Garantie  
AEG Nederland N.V. neemt voor reparaties binnen de garantietermijn – voor zover de defecten zijn terug te voeren op materiaal- en/of konstruktiefouten – de kosten op zich voor materiaal en arbeidloon.

De garantie bedraagt 12 maanden en gaat in op de dag van aankoop. Wanneer garantie wordt verlangd, dient de faktuur van aankoop te worden overgelegd. De garantietermijn wordt door reparaties niet verlengd. Sluiten elke garantieverplichting vallen zoals onderdelen van glas en/of kunststof. Alle overige kosten, zoals voorrijpkosten, kosten van opzending en administratie, zijn voor rekening van de eigenaar.

## Garanzia

Durante i primi 12 mesi d'esercizio, vengono fornite gratuitamente dall'AEG le parti di ricambio riconosciute difettose. La garanzia ha inizio con il giorno dell'acquisto che deve venir comprovato a mezzo della fattura o boletta di consegna. Per il resto valgono le condizioni generali di fornitura della S. A. belga rappresentanza nazionale.

## Garantia

Durante los primeros 12 meses, la AEG se hace cargo de cuantos costes de material y horas de trabajos invertidas se produzcan en la subsanación de defectos. La garantía empieza a regir a partir de la fecha de la entrega, la que deberá justificarse mediante presentación de la factura o de la nota de despacho. Por lo demás serán de aplicación las condiciones generales de venta se gun rigen en el respectivo país de nuestra representación.

## Garantie

In België kan het nu de door S. A. belge AEG uitgegeven Garantiekaart gólijk. En België, seule la carte de garantie émise par la S. A. belge AEG est valable. In België is slechts de door de S. A. belge AEG uitgegeven waarborgkaart geldig.



## Free Manuals Download Website

<http://myh66.com>

<http://usermanuals.us>

<http://www.somanuals.com>

<http://www.4manuals.cc>

<http://www.manual-lib.com>

<http://www.404manual.com>

<http://www.luxmanual.com>

<http://aubethermostatmanual.com>

Golf course search by state

<http://golfingnear.com>

Email search by domain

<http://emailbydomain.com>

Auto manuals search

<http://auto.somanuals.com>

TV manuals search

<http://tv.somanuals.com>