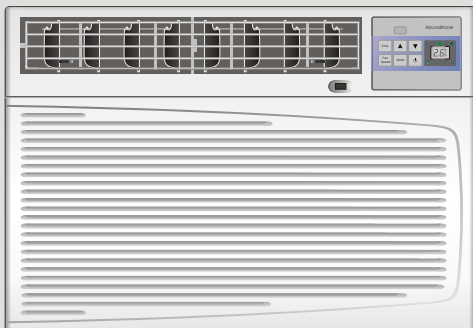


Admiral®

Room Air Conditioner

Aire Acondicionado para Habitaciones

Use and Care Manual Manual de Uso y Mantenimiento

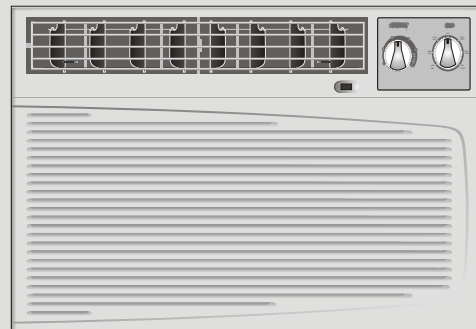


Remote control

AAW-10CR1FHU
AAW-10DR3FHU
AAW-12CR1FHU
AAW-12DR3FHU
AAW-18CR3FHU
AAW-18DR3FHU
AAW-24CR3FHU
AAW-24DR3FHU

Mechanical control

AAW-10CM1FHU
AAW-12CM1FHU
AAW-18CM3FHU
AAW-24CM3FHU



Thank you very much for purchasing an Admiral Air Conditioner. Please read this Use and Care Manual carefully before installing and using this appliance and keep this manual for future reference.

Muchas gracias por comprar un Aire Acondicionado Admiral. Lea atentamente el Manual de Uso y Mantenimiento antes de instalar y utilizar este producto. Conserve este manual para consultarlo en el futuro.

For services, call 1 877 465 3566

Para obtener servicio técnico, llame al 1 877 465 3566

Table of Contents

	Page
Introduction	2
Parts Identification	2
Electrical Specifications	4
Tips Before Installation	5
Installation Instructions	6
Operating Instructions	11
Care and Maintenance	15
Trouble Shooting Guide	16
Warranty	17

índice

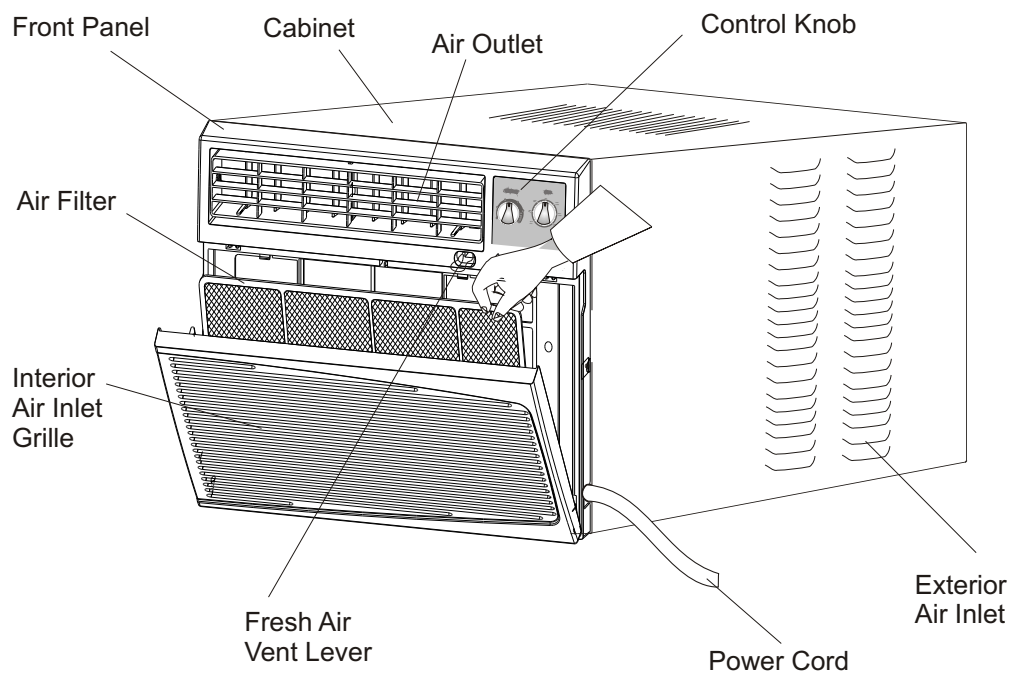
	Página
Introducción	18
Identificación de las Piezas	18
Especificaciones Eléctricas	20
Consejos Antes de la Instalación	21
Instrucciones de Instalación	22
Instrucciones de Operación	27
Cuidado y Mantenimiento	31
Guía para la Solución de Problemas	32
Garantía	33

Introduction

Thank you for choosing this room air conditioner to cool your home. This **USE AND CARE MANUAL** provides information necessary for the proper care and maintenance of your new room air conditioner. If properly maintained, your air conditioner will give you many years of trouble free operation. To avoid installation difficulties, read instructions completely before starting. This manual contains information for the installation and operation of your room air conditioner.

Part Identification

► Mechanical control model



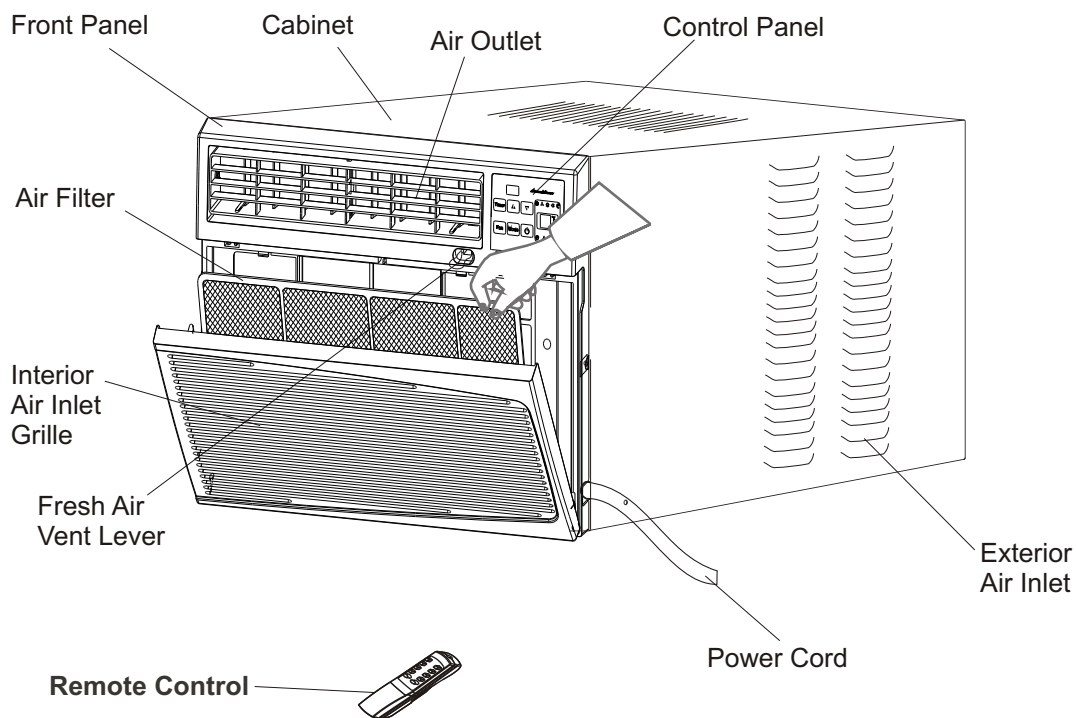
Note:

The figures in this manual are based on the external view of a standard model. Consequently, the shape may differ from that of the air conditioner you have selected.

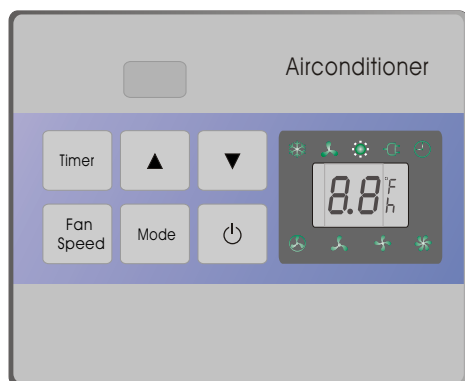
Introduction

Part Identification

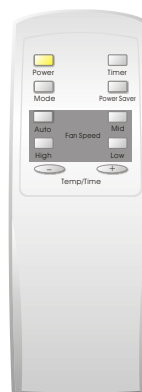
► Remote control model



Control Panel



Remote Control



Note:

The figures in this manual are based on the external view of a standard model. Consequently, the shape may differ from that of the air conditioner you have selected.

Electrical specifications

1. All wiring must comply with local and national electrical codes and must be installed by a licenced electrician. If you have any questions regarding the following instructions, contact a licenced electrician.
2. Check available power supply and resolve any wiring problems **BEFORE** installing and operating this unit.
3. For your safety and protection, this unit is grounded through the power cord when plugged into a matching wall outlet. **If you are not sure whether your wall outlet is properly grounded, please consult a licenced electrician.**
4. The wall outlet (3-pin) must match the plug (3-pin) on the power cord supplied with the unit. DO NOT use plug adapters or extension cords. See (Table 1) for receptacle and fuse information.
5. The rating plate on the unit contains electrical and other technical data. The rating plate is located on the right side of the unit. Make sure to use the correct power supply according to the rating plate of your air conditioner.

Electric Shock Hazard

If the air conditioner has a serial plate rating of 115 volts and up to and including 7.5 amps, the unit maybe on a fuse or circuit breaker with other devices. However, the maximum amps on all devices for that fuse or circuit breaker can not exceed the amps of the fuse for the circuit breaker.

If the air conditioner has a serial plate rating of 115 volts and greater than 7.5 amps it must have its own fuse or circuit breaker, and no other device or unit should be operated on the fuse or circuit breaker.

If the air conditioner has a serial plate rating of 230 volts, it must have its own fuse or circuit breaker, and no other device or unit should be operated on the fuse or circuit breaker.

To avoid the possibility of personal injury, disconnect power to the unit before installing or servicing.





RECEPTACLE AND FUSE TYPES				
COOLING CAPACITY	10K-12K (Cooling only)	18K(Cooling only) 10K-12K(With heating)	24K (Cooling only)	18K-24K (With heating)
RATED VOLTS	125	250	250	250
AMPS	15	15	20	30
WALL OUTLET				
FUSE SIZE	15	15	20	30

Table 1

Note:10K-12K(Cooling only) including models AAW-10CR1FHU AAW-10CM1FHU
 AAW-12CR1FHU AAW-12CM1FHU
 18K(Cooling only) including models AAW-18CR3FHU AAW-18CM3FHU
 10K-12K(With heating) including models AAW-10DR3FHU AAW-12DR3FHU
 24K(Cooling only) including models AAW-24CR3FHU AAW-24CM3FHU
 18K-24K(With heating) including models AAW-18DR3FHU AAW-24DR3FHU

Tips before installation

Your Room Air Conditioner unit is designed to be highly efficient and save energy. Follow these recommendations for greater efficiency.

1. Select thermostat setting that suits your comfort needs and leave the thermostat at that chosen setting.
2. The air filter is very efficient in removing airborne particles. Keep the air filter clean. Typically, the filter should be cleaned once a month. More frequent cleaning may be necessary depending on outdoor and indoor air quality.
3. Use drapes, curtains, or shades to keep direct sunlight from heating your room, but **DO NOT** obstruct the air conditioner. Allow air to circulate around the unit without obstructions.
4. Start your air conditioner before outdoor air becomes hot/cold and uncomfortable. This avoids an initial period of discomfort while the unit is cooling or heating off the room.
5. When outdoor temperature is cool enough, use **HIGH** or **LOW FAN** only. This circulates indoor air, providing some cooling comfort, and utilizes less electricity than when operating on a cooling setting.

Your Room Air Conditioner was designed for easy installation in a single or double-hung window. **NOTE:** This unit is **NOT** designed for vertical (slider type) windows.



CAUTION

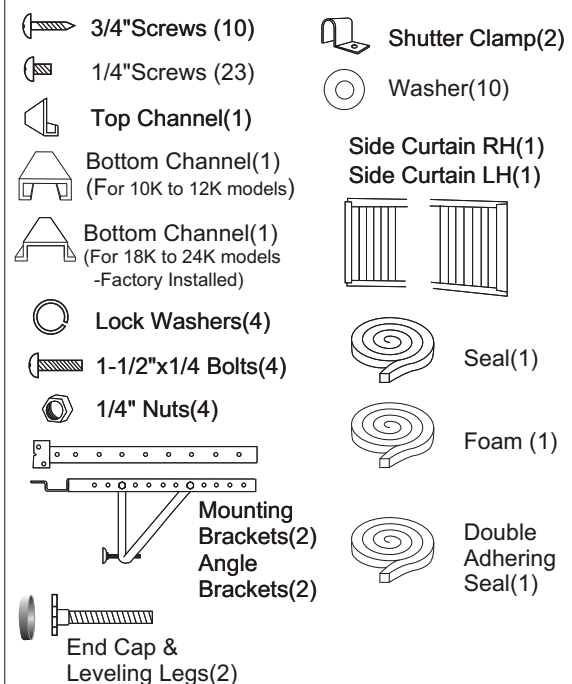


To avoid installation/operating difficulties, read the instructions thoroughly.

NOTE: Save the shipping carton and packing materials for future storage or transport of the unit. Please check the contents of the hardware kit against the corresponding model check list, prior to installation of the unit.

See lists below. (Fig.A)

Fig. A Installation Hardware



NOTE: Surplus screw(s) for spare use.

Tools Needed for Window Installation
 Screw drivers: Both Philips and flat head
 Power drill: 1/8 inch diameter drill bit
 Pencil
 Measuring tape
 Scissors
 Carpenters level

Installation instructions

⚠ CAUTION ⚠

Because the compressor is located on the controls side of the unit (right side), this side will be heavier and more awkward to manipulate. Inadequate support on control side of the unit can result in personal injury and damage to your unit and property. Therefore, it is recommended to have someone assist you during the installation of this unit.

1. Select the Best Location

A. Your room air conditioner was designed to fit easily into a single or double hung window. However, since window designs vary, it may be necessary to make some modifications for safe and proper installation.

B. Make sure window and frame is structurally sound and free from dry and rotted wood.

C. For maximum efficiency, install the air conditioner on side of the house or building which favors more shade than sunlight. If the unit is in direct sunlight, it is advisable to provide an awning over the unit.

D. Provide sufficient clearance around the cabinet to allow for ample air circulation through the unit. See (Fig.B). The rear of the unit should be outdoors and not in a garage nor inside of a building. Keep unit as far away as possible from obstacles and obstructions and at least 30" above the floor or ground. Curtains and other objects within a room should be prevented from blocking the air flow.

E. Be certain the proper electrical outlet is within reach of the installation. Use only a single outlet circuit rated at proper current (see table 1 on page 4). All wiring should be in accordance with local and national electrical codes.

F. Your unit was designed to evaporate condensation under normal conditions. However, under extreme humidity conditions, excess condensation may cause the basepan to overflow to the outside. The unit should be installed where condensation run-off cannot drip on pedestrians or neighboring properties.

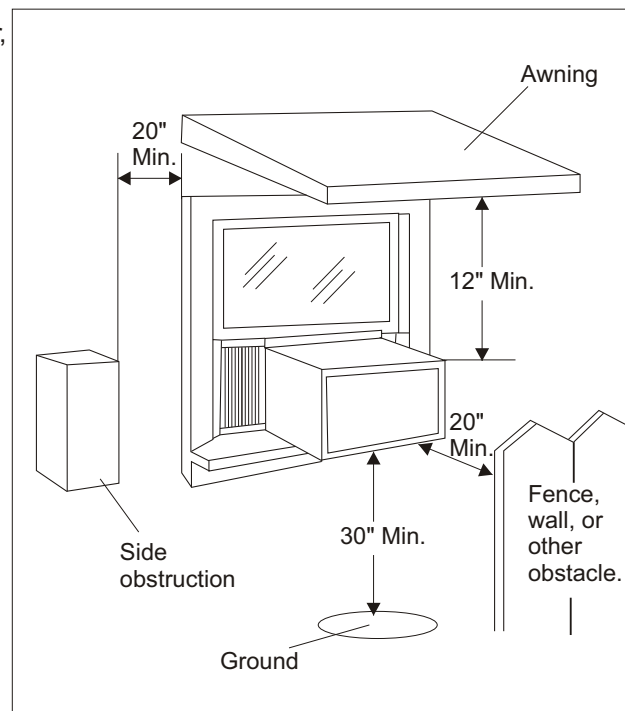


Fig.B

Window opening requirements (see table below)

Size \ Model	10K	12K	18-24K
Cabinet size (W*H*D)	20.5" *14.8" *23.1"	22.8" *15.7" *24.1"	26.5" *18.5" *26.9"
Min. Window opening	24"	27"	30"
Max. Window opening	38"	41"	44"

Installation instructions

2. Preparation to Remove the Air Conditioner Slide-Out Chassis

A. Remove total of (4) Philips screws securing the chassis to the cabinet. There are (2) screws on each side. The set of screws closest to the front of the unit secure the front panel to the cabinet. The set of screws closest to the rear of the unit secure the cabinet to the chassis. See (Fig. 1).

B. Remove the front panel assembly from the cabinet by gently pulling it.

C. Grasp the pull handle at the front of the slide-out chassis and carefully slide the air conditioner out of the cabinet. See (Fig. 2).

Please seek assistance for this procedure.

NOTE: Screws must be reinstalled upon completion of the window installation to secure slide-out chassis.

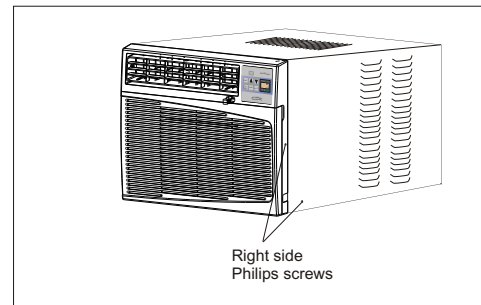


Fig. 1

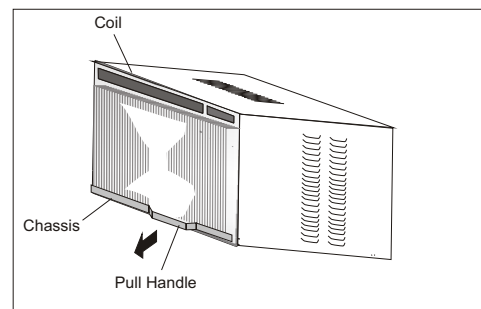


Fig. 2

3. Assembly of the upper & lower channels to the cabinet

A. "L" Shaped Top Channel: Stick the double adhering seal to the "L" shaped top channel, and then install the "L" shaped top channel to the cabinet as shown in (Fig. 3) using (5) 1/4" screws.

B. "n" Shaped Bottom Channel installed as shown in (Fig. 3) using (4) 1/4" screws.

NOTE: For 18K to 24K models, the bottom channel has been factory-installed, and their shapes may differ from the others, but their functions are similar.

4. Assembly of the side shutters (curtains) to the cabinet.

Slide the shutters into the top and bottom channels as shown in (Fig. 4). The shutters are identified (on each frame) as "left" & "right". Attach the shutters to the cabinet using (4) 1/4" screws on each side.

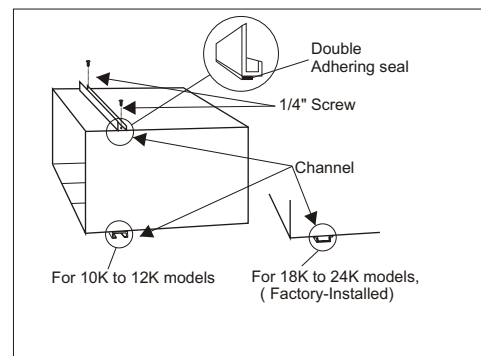


Fig. 3

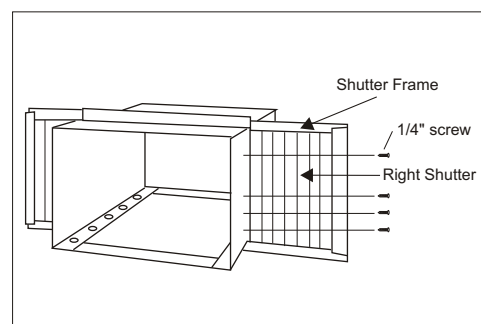


Fig. 4

Installation instructions

5. Installation of Mounting Brackets and First Sealing Strip

NOTE: Windows come in a variety of different styles. Therefore, it may be necessary to modify or improve your particular installation.

A. Attach the **bracket assembly** to **90° angle support brackets** (Fig. 5) using (2) **1 1/2" bolts**

Two bolts per bracket. Secure with the (2) **1/4" lock washers** and (2) **1/4" nuts**. **DO NOT** immediately tighten these bolts as it may be necessary to adjust the depth of the **bracket assembly**, depending on the depth of your window sill. See (Fig. 7). Install the two **leveling screws** into the 90° support brackets. Test the bracket assembly in the window before cabinet installation. If the leveling screws are distanced too far away from the wall to provide stability, it may be necessary for you to fill this area with a solid piece of wood. See (Fig. 8).

B. Measure the inside window sill width and find the center as shown in (Fig. 6). Align the **V-slot** in each bracket on these marks and mount the brackets to the sill using **3/4" screws** provided. Brackets should be perpendicular to the inside window sill. See (Fig. 6).

C. For proper condensation run-off it will be necessary to adjust the angle/pitch of the window brackets. This is accomplished by adjusting the distance of the leveling screw on the outer wall. The maximum angle/pitch should not exceed more than 3/16". See (Fig. 7).

D. Cut the **seal strip** to fit the underside of the bottom **window sash**. Remove the peel-off backing on the seal and attach it to this sash. See (Fig. 9).

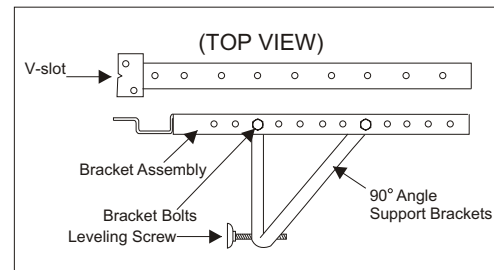


Fig. 5

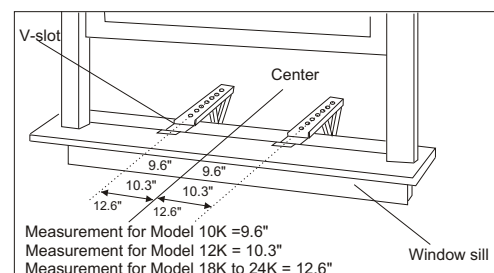


Fig. 6

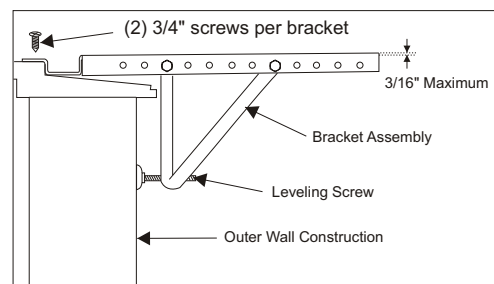


Fig. 7

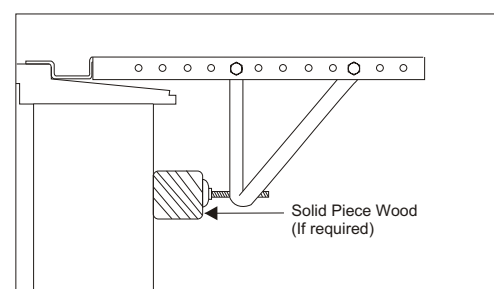


Fig. 8

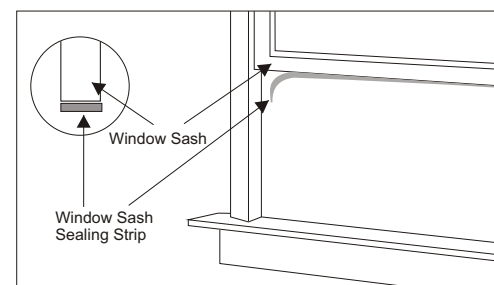


Fig. 9

CAUTION

Use a solid piece of wood to provide stability. This will be required when sills are extra deep. See (Fig. 8).

Installation instructions

6. Installation of the cabinet

A. Align one hole in the bottom of the cabinet with one hole in the bracket assembly. Secure the cabinet to the bracket using (3) 1/4" screws provided. Repeat the same procedure on the opposite side of the cabinet. See (Fig. 10).

B. Ensure the "L" shaped mounting channel is positioned in front of the sash. The bottom channel of the cabinet should be positioned in the track provided on the bracket assembly. Pull the window down until it rests just behind the front of the "L" shaped mounting channel. See (Fig. 11).

C. Check to make sure that the cabinet is slanted slightly downward on the outside. If necessary, re-adjust support bracket as shown in (Fig. 7).

7. Secure Shutters

A. Carefully slide the air conditioner back into the cabinet. (Please seek assistance for this procedure).
B. Reinstall the slide-out-chassis security screws (removed earlier) on both sides of the cabinet. See (Fig. 12).

Secure the top of the frames to the window sash with (2) 3/4" screws.

C. Now, secure bottom frame of shutters using one shutter clamp and one 3/4" screw on each side (Fig. 12).

8. Reinstalling Front Panel Assembly

A. Position the front panel on the cabinet starting at the top. The front panel lock tabs must be inserted into the retaining slots in the cabinet. Repeat this procedure on all sides.

B. Secure the front grille to the cabinet using the Philips screws removed earlier (Fig. 1).

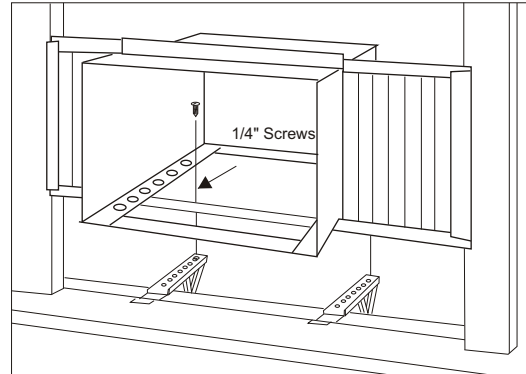


Fig. 10

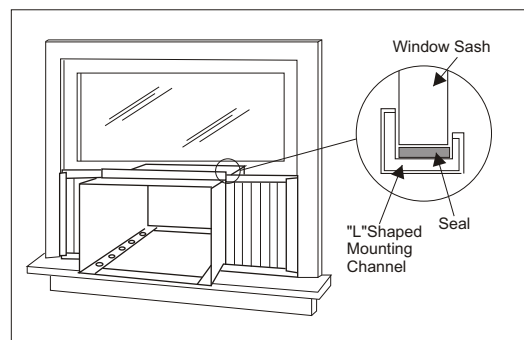


Fig. 11

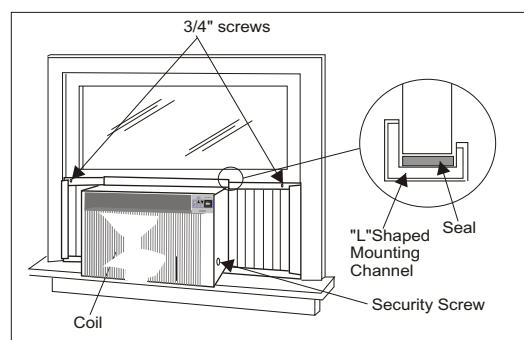


Fig. 12

Installation instructions

9. Complete the installation

A. Cut the **foam** to fit the opening between the top of the inside and outside window. See (Fig. 13).

B. Some installations may require additional sealing around the window and air conditioner. Check for any air leaks and seal where necessary.

C. In very humid areas, the water removal may be excessive enough to overflow the unit or increase the noise of the air conditioner. If this occurs, you may wish to attach a **drain hose (not included)** to the drain plug allowing condensations to run off conveniently. See (Fig. 14).

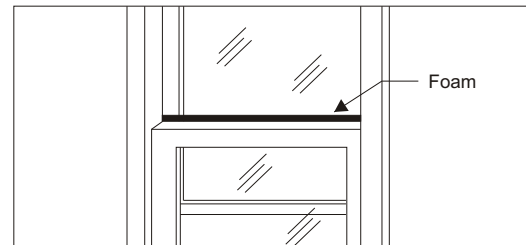


Fig. 13

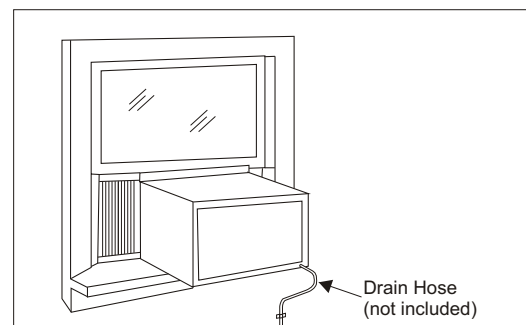


Fig. 14

Operating Instructions

► Mechanical control model

MODE

The mode knob controls fan speeds and cooling speeds. To set desired cooling temperature, simply rotate the mode knob dial to the appropriate setting.

THERMOSTAT

The thermostat automatically controls the cooling cycle (compressor) of the air conditioner to maintain room temperature. However, the fan motor will continue to operate after the compressor (cooling cycle) is completed.

LOW FAN will circulate the air at a minimum speed without cooling.

MED FAN will circulate the air at a middle speed without cooling.

HIGH FAN will circulate the air at a maximum speed without cooling.

LOW COOL provides cooling, automatically with minimum air circulation. Recommended for night-time use.

MED COOL provides cooling, automatically with middle air circulation. Recommended for night-time use.

HIGH COOL provides cooling, automatically with quick cooling or for extremely hot days. Once room is cooled, reduce setting to **LOW COOL**.

OFF will completely shut-off the unit.

NOTE: After setting the mode, allow 3 minutes before switching to another mode.

Fresh Air Ventilation is usually kept in the closed position. Use only when clearing smoke and/or odors from the room. Pull to open.

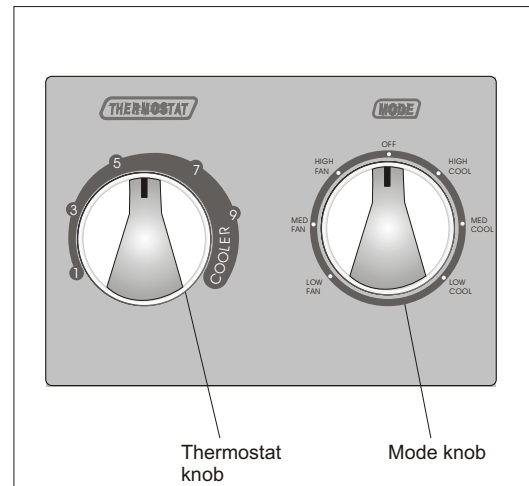


Fig. 15

⚠ CAUTION ⚠

When using FAN control, turn slowly allowing unit to adjust.

When using **THERMOSTAT**, be sure to allow three minutes before changing temperature. Adjusting too quickly may cause an overload resulting in a blown fuse.

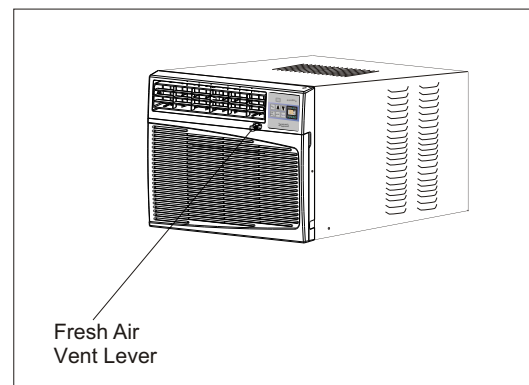


Fig. 16

Operating Instructions

► Electronic control panel model

You can easily operate this air conditioner by pressing relevant button on the control panel as well as the remote control.

⏻ Button

The air conditioner will be started when it is energized or will be stopped when it is in operation, if you press this button. When the air conditioner is heating, allow 3 minutes after you press this button.

Mode button

Each time MODE button is pressed, the operation mode is changed in sequence:

COOL: COOLING → FAN ONLY → ENERGY SAVING → COOLING

HEAT: COOLING → FAN ONLY → HEATING → ENERGY SAVING → COOLING

NOTE: After setting the mode, allow 3 minutes before switching to another mode.

In the FAN ONLY Mode, Room Temperature display range is from 0°C (32°F) to 38°C (99°F).

Room Temperature below 32°F, the Temperature display L0.
Room Temperature above 99°F, the Temperature display H1.

Fan Speed button

Used to select fan speed in sequence auto, low, medium and high.

Timer button

Used to set or cancel timer operation.

When the unit is in operation, you can set OFF TIMER.

When the unit is off, you can set ON TIMER.

Timer setting range is 0 to 24 hours.

If the OFF TIMER is set, the timer LED displays

the remaining time to turn off the unit for only

12 seconds, then LED shifts to display set temperature. If you press TIMER button within the 12 seconds, OFF TIMER will be canceled.

If the ON TIMER is set, the timer LED displays the remaining time to turn on the unit. If you want to cancel ON TIMER, press TIMER button.

▲ ▼ Button

Used to set room temperature in COOLING mode or used to set time in TIMER mode.











If the two keys are pressed at the same time, the temperature LED display will alternate between °C and °F.

NOTE: Temperature setting range is from 19°C (66°F) to 31°C (88°F).

Control Panel



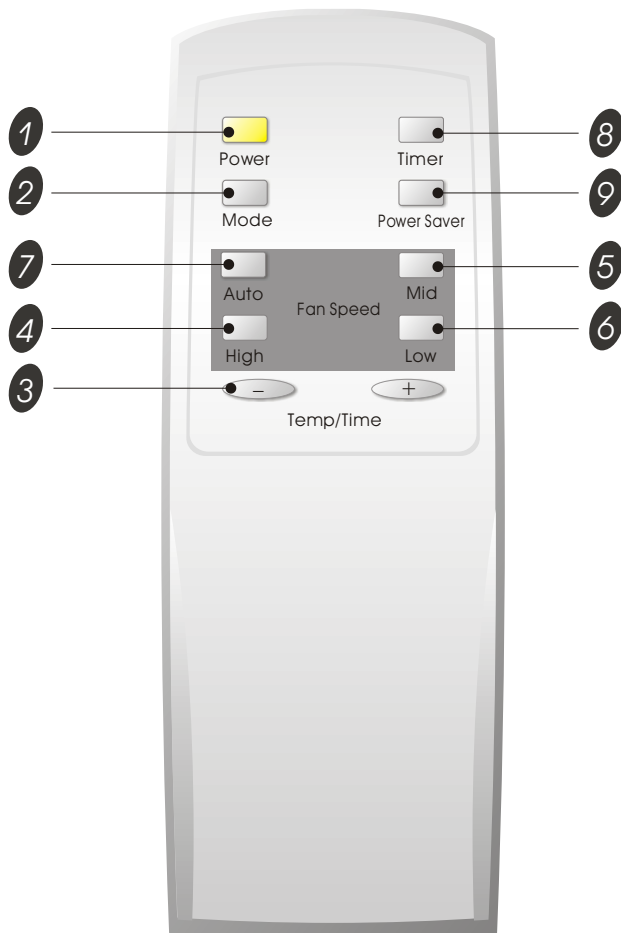
Indication symbols of LED on control panel:

 Auto fan speed	 Cooling	
 Low fan speed	 Fan only	
 Medium fan speed	 Heating	Display set temp Display set timer
 High fan speed	 Energy-saving	
	 Timer	

Above LED lights on when the relevant mode is in used.

Operating Instructions

► Remote control



1 Power BUTTON

The appliance will be started when it is energized or will be stopped when it is in operation, if you press this button.

2 Mode BUTTON

Used to select the operation mode.

3 + - BUTTONS

Used to set room temperature in Cooling mode or used to set time in Timer mode.

4 High BUTTON

Used to select the high fan speed mode.

5 Mid BUTTON

Used to select the Mid fan speed mode.

6 Low BUTTON

Used to select the Low fan speed mode.

7 Auto BUTTON

Used to select the Auto fan speed mode.

8 Timer BUTTON

Used to set or cancel timer operation.

9 Power Saver BUTTON

Used to select the Energy-saving mode.

- ☑ *When changing modes during operation, sometimes the unit does not always respond at once. Wait 3 minutes.*
- Wait 3 minutes before restarting the appliance.*

Operating Instructions

► Remote control

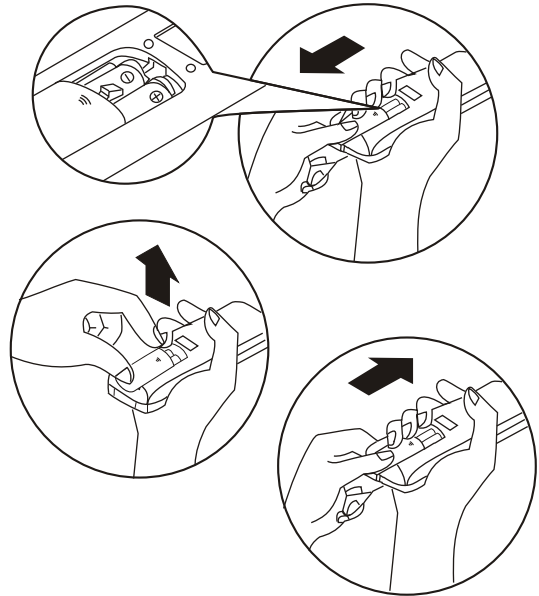
• How to Insert the Batteries

Remove the battery cover according to the arrow direction. Insert new batteries making sure that the (+) and (-) of battery are matched correctly.

Reattach the cover by sliding it back into position.

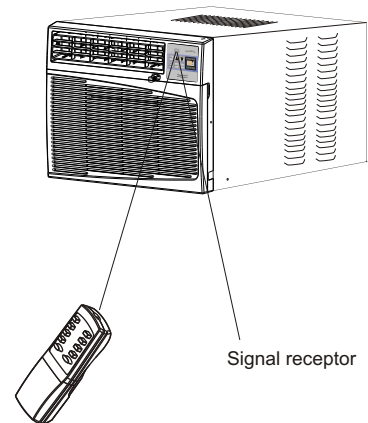
Note:

- Use 2 LR06 AA(1.5volt) batteries. Do not use rechargeable batteries. Replace batteries with new ones of the same type when the display becomes dim.
- If the replacement is done within 1 minute, the remote control will keep original presetting. (This function only for LCD remote control)



• How to Use

To operate the room air conditioner, aim the remote control to the signal receptor. The remote control will operate the air conditioner at a distance of up to 23 feet when pointing at signal receptor of unit.



Care and Maintenance

When servicing the air conditioner, be sure to turn the mode switch to the "OFF" position and disconnect the power cord from the electrical outlet.

1. **DO NOT** use gasoline, benzine, thinner or other chemicals on the air conditioner as these substances may cause damage to the paint finish and deformation of plastic parts.
2. Never attempt to pour water directly in front of the unit as this will cause deterioration of the electrical insulation.

Cleaning the Air Filter

Removal of Air Filter

If the air filter becomes clogged with dust, air-flow is obstructed and reduces efficiency. The air filter should be cleaned once a month. More frequent cleaning may be necessary depending on outdoor and indoor air quality.

Air Filter Removal:

The air filter on the above model is located behind the air intake front grill.

To remove the air filter, open the air inlet grille and take the air filter .

To reinstall the air filter, reverse the above procedure.



CAUTION



DO NOT forget to install the air filter. If the air conditioner is left to operate without the air filter, dust is not removed from the room and may cause your air conditioner to fail.

When the air filter inlet grill and cabinet are dirty, wipe with lukewarm water (below 40°C/104°F). Use of mild detergent is recommended.

Cleaning of Air Filter

1. Remove dust clogged in the filter by tapping it or vacuum clean it.
2. Wash the filter well with lukewarm water below 40°C (104°F) while rubbing lightly: To get better results, wash it with soapy water or a neutral cleaning agent.
3. Rinse the filter well using clean water then dry completely.

End-of-Season Care

1. Operate the fan alone for half a day to dry out the inside of the unit.
2. Turn off power and remove plug from wall socket.
3. Clean filter.
4. Store in a dry location.

Troubleshooting Guide

Frequently, a problem is minor and a service call may not be necessary, use this troubleshooting guide for a possible solution.

PROBLEM	POSSIBLE CAUSE	SUGGESTED SOLUTION
Air conditioner will not operate	No power to the unit.	Check connection of power cord to power source. Check fuse or circuit breaker. Set FAN CONTROL to position other than "OFF".
Inefficient or no cooling	Dirty air filter. Inappropriate capacity for application. Blocked air flow. Power interruption, settings change too quickly, or compressor overload tripped.	Clean or replace air filter. Check with dealer to determine proper unit capacity for application. Remove obstruction from grill or outdoor louvers. Let fan run to restart compressor (in approximately 10 minutes).
Noisy unit	Loose parts. Inadequate support.	Tighten loose parts. Provide additional support to unit.
Odors	Formation of mold, mildew, or algae on wet surfaces.	Remove drain plug and drain base pan. Replace drain plug. Clean unit thoroughly.
Water dripping outside	Condensation run-off is normal during hot and humid weather	Add flexible tubing to redirect water flow, see (Fig.14 Page 10.)
Water dripping inside	Unit is not properly angled to allow water to drain outside.	Unit must be installed on an angle for proper condensation run-off. Check the unit and make adjustments.
Ice or frost build-up	Low outside temperature. Unit air filter is dirty.	When outdoor temperature is approximately 65°F or below, frost may form when unit is in cooling mode. Switch unit to FAN (only) operation until frost melts. Remove and clean filter.

NOTE:

If circuit breaker is tripped repeatedly, or fuse is blown more than once, contact a licensed technician.

Warranty

5 YEAR FULL WARRANTY

This product is warranted for 5 years from the date of original purchase. Any part which fails in materials or workmanship will be replaced within the warranty period. This warranty covers in home service. A copy of your proof of purchase, with date of purchase and product name included, is required to arrange this service repair.

For the name and location of an authorized service provider nearest you, please CALL 1-877-465-3566. Please reference product name, brand name, and model number when you call.

This warranty does not apply if the damage occurs because of accident, improper handling or operation, shipping damage, abuse, misuse, unauthorized repairs made or attempted, or the use of the product for commercial use, or any other use for which it was not intended.

ALL WARRANTIES, EXPRESSED OR IMPLIED, LAST FOR 5 YEARS FROM THE DATE OF ORIGINAL PURCHASE. THIS WARRANTY DOES NOT COVER LIABILITY FOR INCIDENTAL OR CONSEQUENTIAL DAMAGES FOR ANY CAUSE WHATSOEVER.

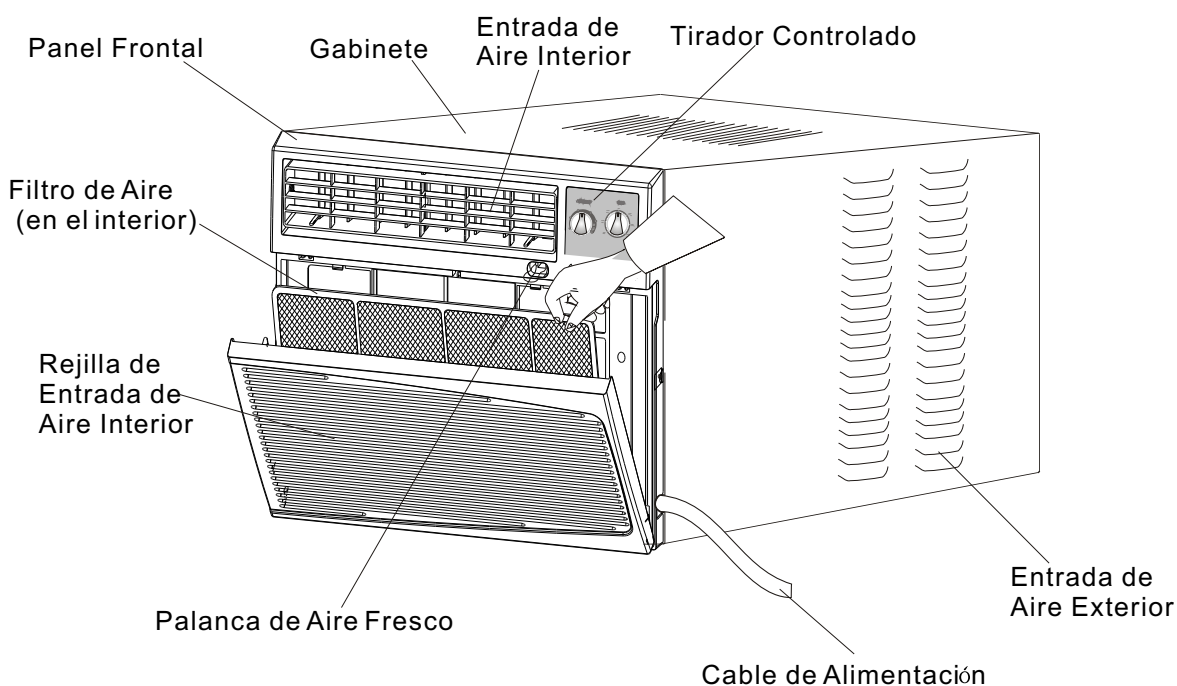
This warranty is extended to the original owner and any succeeding owner for products purchased for home use within the USA. Some states do not allow the exclusion or limitation of incidental or consequential damages. This warranty gives you specific rights, and you may also have other rights which may vary from state to state. To know what your legal rights are, consult your local or state consumer affairs office or your state's Attorney General.

Introducción

Gracias por elegir este aire acondicionado para enfriar su hogar. Este MANUAL DE USO Y MANTENIMIENTO proporciona la información necesaria para cuidar y mantener en forma adecuada su nuevo aire acondicionado. Funcionará sin problemas durante muchos años si le brinda el mantenimiento apropiado. Para evitar problemas al instalarlo, lea completamente las instrucciones antes de comenzar. Este manual contiene información acerca de la instalación y el funcionamiento del aire acondicionado para habitaciones.

Identificación de las Piezas

► Modelo Mecánico



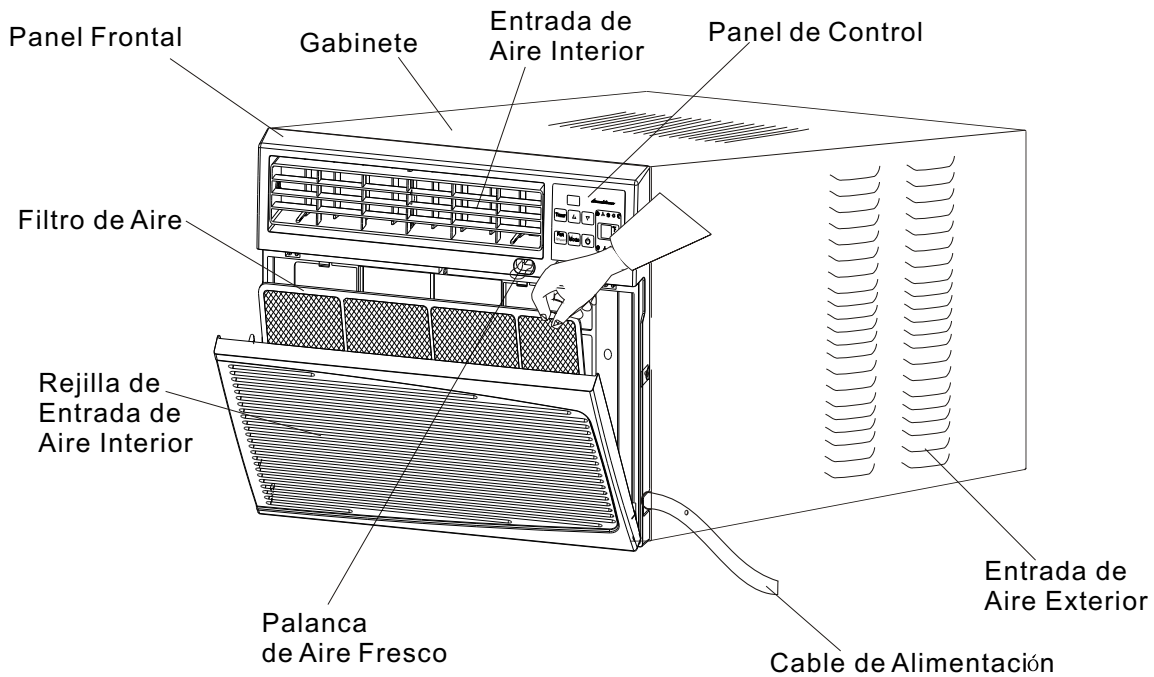
Nota:

Las imágenes de este manual están basadas en la vista externa de un modelo estándar. En consecuencia, es probable que la forma sea diferente a la del aire acondicionado que usted seleccionó.

Introducción

Identificación de las Piezas

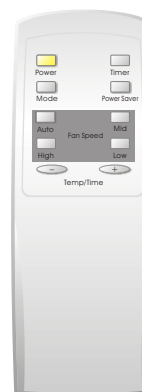
► Modelo de Remoto controlador



Panel de Control



Control Remoto



Nota:

Las imágenes de este manual están basadas en la vista externa de un modelo estándar. En consecuencia, es probable que la forma sea diferente a la del aire acondicionado que usted seleccionó.

Especificaciones eléctricas

1. Todos los cables deben cumplir con los códigos eléctricos locales y nacionales y los debe instalar un electricista licenciado. Si tiene preguntas relacionadas con las siguientes instrucciones, comuníquese con un electricista licenciado.
2. Verifique el suministro de energía disponible y resuelva cualquier problema con los cables ANTES de instalar y hacer funcionar esta unidad.
3. Para su seguridad y protección, esta unidad está conectada a tierra a través del cable de alimentación cuando se lo enchufa a un tomacorriente de pared provisto de conexión a tierra. Si no está seguro de que el tomacorriente de pared cuenta con la conexión a tierra apropiada, consulte con un electricista licenciado.
4. El tomacorriente de pared (de 3 clavijas) debe coincidir con el enchufe (de 3 clavijas) del cable de alimentación suministrado con la unidad. NO utilice adaptadores de enchufe ni cables de extensión. Consulte la Tabla 1 para obtener información acerca de receptáculos y fusibles.

Peligro de Descarga Eléctrica ⚠

Si el rótulo del aire acondicionado indica 115 voltios y hasta 7.5 amperios, la unidad se puede conectar a un cortacircuito o fusible utilizado por otros dispositivos. No obstante, la suma de los amperios máximos de todos los dispositivos conectados a dicho cortacircuito o fusible no deben exceder los amperios del mismo.

Si el rótulo del aire acondicionado indica 115 voltios y más de 7.5 amperios, debe tener su propio fusible o cortacircuito y no se deberá conectar ningún otro dispositivo o unidad a dicho fusible o cortacircuito.

Para evitar lesiones físicas, desconecte el suministro de energía de la unidad antes de instalarla o repararla.

5. El rótulo de la unidad contiene datos eléctricos y técnicos. Dicho rótulo se encuentra en el lado derecho de la unidad.





Tipos de Receptáculos y Fusibles				
MODEL	10K-12K (Cooling only)	18K(Cooling only) 10K-12K(With heating)	24K (Cooling only)	18K-24K (With heating)
CAPACIDAD DE VOLTIOS	125	250	250	250
AMPERIOS	15	15	20	30
AMPERIOS				
TAMANO DEL FUSIBLE	15	15	20	30

Tabla 1

Nota: 10K-12K(Cooling only) incluido modelos AAW-10CR1FHU AAW-10CM1FHU
AAW-12CR1FHU AAW-12CM1FHU
18K(Cooling only) incluido modelos AAW-18CR3FHU AAW-18CM3FHU
10K-12K(With heating) incluido modelos AAW-10DR3FHU AAW-12DR3FHU
24K(Cooling only) incluido modelos AAW-24CR3FHU AAW-24CM3FHU
18K-24K(With heating) incluido modelos AAW-18DR3FHU AAW-24DR3FHU

Consejos antes de la instalación

Su unidad de Aire Acondicionado para Habitaciones se ha diseñado para lograr un alto rendimiento y ahorrar energía eléctrica. Siga las siguientes sugerencias para lograr un mayor rendimiento.

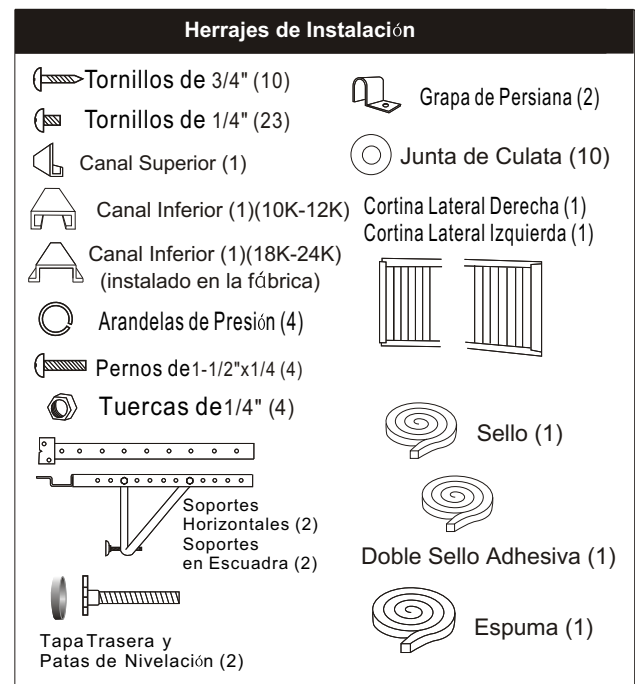
1. Ajuste el termostato a un nivel que le resulte agradable y déjelo en el nivel seleccionado.
2. El filtro de aire es muy eficiente a la hora de eliminar partículas que se desplazan por el aire. Mantenga limpio el filtro de aire. Por lo general, el filtro deberá limpiarse una vez al mes. Es probable que sea necesario limpiarlo con más frecuencia dependiendo de la calidad del aire exterior o interior.
3. Puede utilizar tapices, cortinas o pantallas para evitar que la luz directa del sol caliente su habitación, pero NO obstruya el aire acondicionado. Permita que el aire circule alrededor de la unidad sin obstrucciones.
4. Encienda el aire acondicionado antes de que la temperatura exterior sea demasiado elevada y desagradable. De esta manera evitará sufrir calor mientras la unidad enfría la habitación.
5. Cuando la temperatura exterior es lo suficientemente fresca, utilice sólo HIGH FAN (ventilador al máximo) o LOW FAN (ventilador al mínimo). Esto hace que el aire interior circule a una temperatura agradable y consume menos energía eléctrica que si hiciera funcionar la unidad como enfriador de aire.

El Aire Acondicionado para Habitaciones se ha diseñado de modo tal que resulte fácil su instalación en ventanas armadas sencillas o dobles. **NOTA:** esta unidad NO se ha diseñado para ventanas verticales (de tipo deslizante).

⚠ PRECAUCIÓN ⚠

Para evitar problemas durante la instalación o el funcionamiento de la unidad, lea completamente las instrucciones.

NOTA: conserve la caja de la unidad y los materiales de empaque para almacenarla o transportarla en el futuro. Antes de instalar la unidad compare el contenido del juego de herrajes con la lista de control del modelo correspondiente. Consulte las siguientes listas (Fig. 1).



(Fig. 1)

Nota: Tornillo Excedente Para d Uso de Reserva.

Herramientas Necesarias para la Instalación en Ventana:

- Destornilladores: Philips y de cabeza plana**
- Taladro eléctrico: broca de 1/8 pulgada de diámetro**
- Lápiz**
- Cinta métrica**
- Tijeras**
- Nivel de carpintero**

Instrucciones de Instalación

⚠ PRECAUCIÓN ⚠

Debido a que el compresor se encuentra del lado de los controles (a la derecha de la unidad), este lado será más pesado y más difícil de manipular. Si la unidad no se sostiene bien de dicho lado pueden producirse lesiones físicas y daños a la unidad y a su propiedad. Por lo tanto, le recomendamos que para instalar esta unidad solicite ayuda a otras personas.

1. Seleccione la Mejor Ubicación

A. El aire acondicionado para habitaciones tiene un diseño que facilita su colocación en ventanas armadas sencillas o dobles. No obstante, debido a que los diseños de ventana son tan variados, es probable que sea necesario realizar algunas modificaciones para lograr una instalación segura y adecuada.

B. Asegúrese de que la ventana y el marco tengan una estructura firme y que la madera no esté rajada ni podrida.

C. Para lograr el máximo rendimiento, instale el aire acondicionado del lado de la casa o edificio donde haya más sombra que sol. Si la unidad se encontrara expuesta a la luz del sol, es aconsejable colocarle un toldo encima.

D. Deje suficiente espacio alrededor del gabinete para permitir una amplia circulación de aire a través de la unidad. Vea (Fig. 2). La parte posterior de la unidad deberá dar al aire libre y no a un garaje ni al interior de un edificio. Mantenga la unidad lo más lejos posible de obstáculos que puedan causar obstrucciones y por lo menos a 30" del nivel del piso o del suelo. Deberán tomarse precauciones para evitar que las cortinas o cualquier otro objeto dentro de una habitación obstruyan el flujo de aire.

E. Asegúrese de instalar la unidad cerca de un tomacorriente eléctrico adecuado. Utilice un estímetro al corriente propio (lea tabla 1 en página 20) con circuito exclusivo para el aire acondicionado. Todos los cables deberán cumplir con los códigos eléctricos locales y nacionales.

F. La unidad está diseñada para evaporar la condensación bajo condiciones normales. No obstante, bajo condiciones de extrema humedad, es probable que la condensación excesiva haga que la bandeja base se desborde hacia el exterior. Por lo tanto la unidad deberá instalarse en un lugar donde la descarga de la condensación no gotee sobre el paso de peatones ni en las propiedades vecinas.

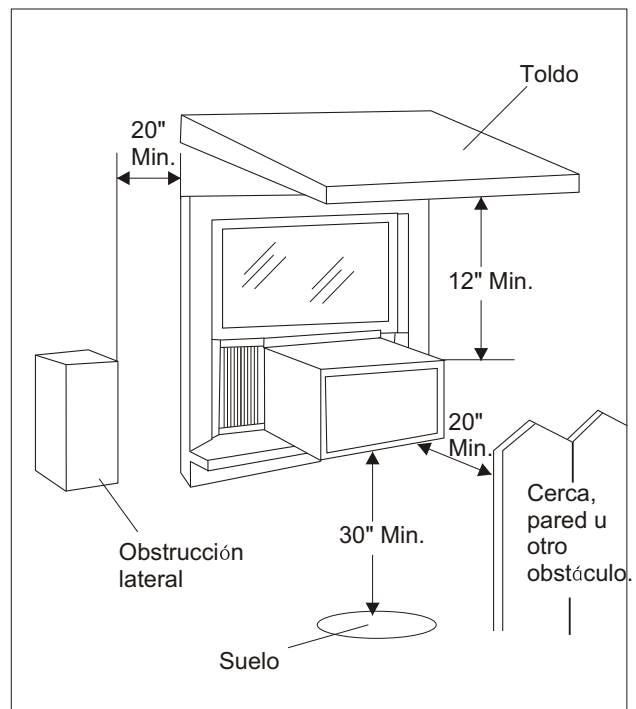


Fig.2

Requisitos para las aberturas de ventanas (consulte la siguiente tabla)

Tamaño Modelo	10K	12K	18-24K
Tamaño del gabinete (A*H*L)	20.5" *14.8" *23.1"	22.8" *15.7" *24.1"	26.5" *18.5" *26.9"
Abertura mínima de Ventana	24"	27"	30"
Abertura máxima de Ventana	38"	41"	44"

Instrucciones de instalación

2. Cómo quitar el armazón deslizable del aire acondicionado

A. Quite los 4 tornillos Philips que sujetan el armazón al gabinete. Hay 2 tornillos de cada lado. Los tornillos que están más cerca del frente de la unidad sujetan el panel frontal al gabinete. Los tornillos que están más cerca de la parte trasera de la unidad sujetan el gabinete al armazón. Vea la (Fig. 1).

B. Quite el panel frontal del gabinete tirando suavemente de él.

C. Tome el mango que están en el frente del armazón deslizable y saque con cuidado el aire acondicionado del gabinete. Vea la (Fig. 2).

NOTA: una vez finalizada la instalación en la ventana debe volver a colocar los tornillos para sujetar el armazón deslizable.

Pida ayuda para realizar este procedimiento.

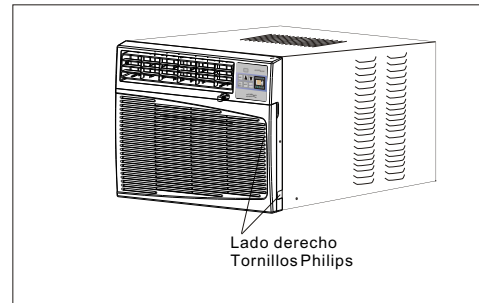


Fig. 1

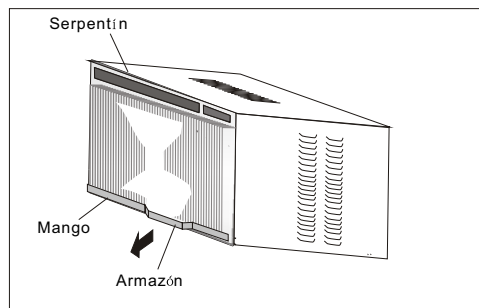


Fig. 2

3. Montaje de los canales superior e inferior en el gabinete

A. Canal Superior en Forma de L: Aguante el doble sello adhesiva al canal superior en forma de L, con 5 tornillos de 1/4", instale el canal superior en forma de L sobre el gabinete, tal como se indica en la Fig. 3.

B. Instale el Canal Inferior en forma de U, tal como se indica en la Fig. 3.

Nota: Para los modelos de 18K a 24K, el canal de botón se ha instalado en la fábrica y su forma será distinto a otros, pero sus funciones son semejantes.

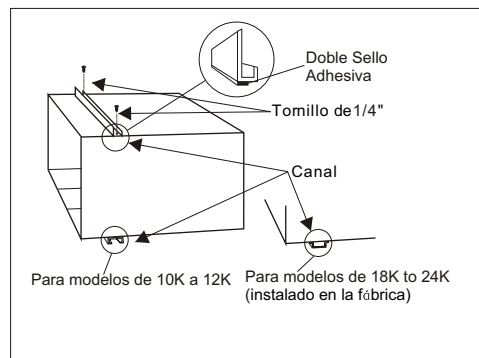


Fig. 3

4. Montaje de las persianas laterales (cortinas) en el gabinete.

Deslice las persianas por los canales superior e inferior, tal como se indica en la Fig. 4. En cada marco, las persianas se identifican como "izquierda" y "derecha". Sujete las persianas al gabinete con 4 tornillos de 1/4" de cada lado.

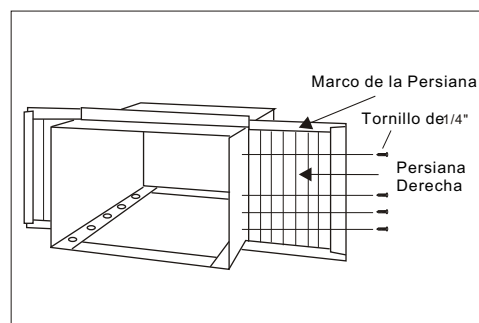


Fig. 4

Instrucciones de instalación

5. Instalación de los Soportes Horizontales y de la Primera Tira Adhesiva

Selladora

NOTA: Existe una gran variedad de estilos de ventanas. Por lo tanto, es probable que se a necesario modificar o mejorar su propia instalación.

A. Sujete el soporte horizontal a los soportes en escuadra (Fig. 5) con 2 pernos de 1 1/2". Hay dos pernos por soporte. Asegúrelos con las 2 arandelas de presión de 1/4" y las 2 tuercas de 1/4" NO ajuste estos pernos de inmediato ya que es posible que sea necesario ajustar la distancia del soporte ensamblado, dependiendo de la profundidad del umbral de la ventana. Vea la (Fig. 7). Instale los dos tornillos de nivelación en los soportes en escuadra. A modo de prueba, coloque el soporte ensamblado en la ventana antes de instalar el gabinete. Si los tornillos de nivelación están demasiado lejos de la pared como para proporcionar estabilidad, es probable que sea necesario complementar dicha área con un taco de madera. Vea la (Fig. 8).

B. Mida el ancho del interior del umbral de la ventana y defina el centro, tal como se indica en la Fig. 6. Alinee la ranura en V de cada soporte ensamblado sobre estas marcas y monte los soportes al umbral con los tornillos de 3/4" proporcionados. Los soportes deberán quedar perpendiculares al umbral interno de la ventana. Vea la (Fig. 6).

C. Para permitir una descarga adecuada de la condensación, será necesario ajustar la inclinación de los soportes en la ventana. Para ello, ajuste la distancia del tornillo de nivelación en la pared exterior. La inclinación máxima no deberá ser superior a 3/16". Vea la (Fig. 7).

D. Corte la primera sello para que quepa en la parte inferior del marco de la ventana. Quite el revestimiento de la tira y péguela al marco. Vea la (Fig. 9).

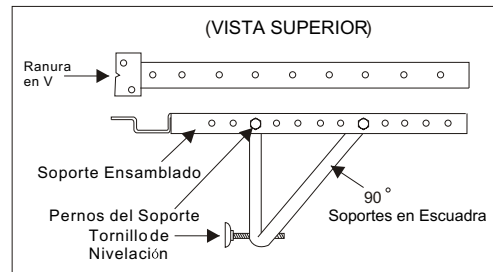


Fig. 5

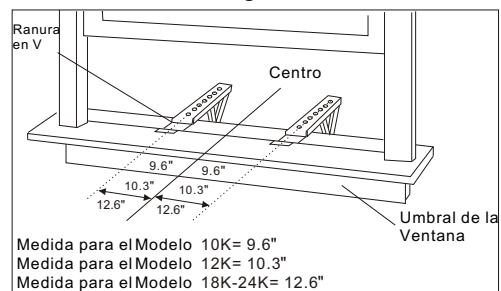


Fig. 6

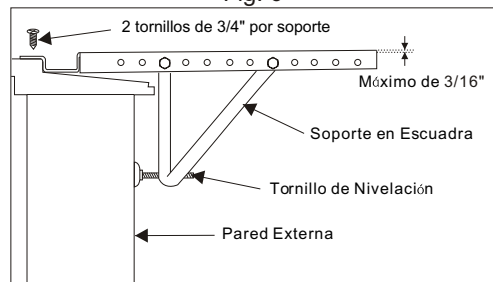


Fig. 7

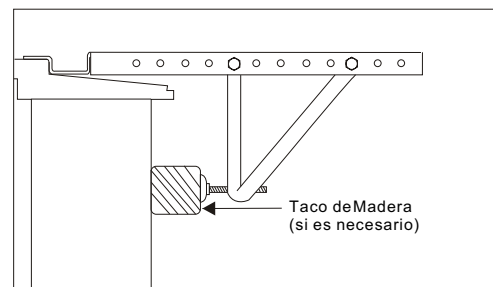


Fig. 8

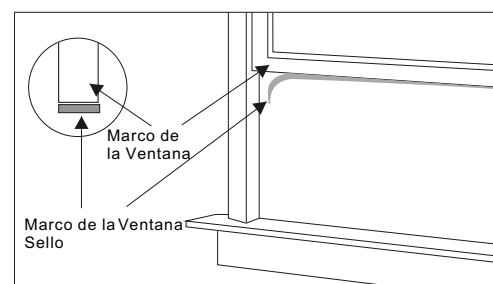


Fig. 9

⚠ PRECAUCIÓN ⚠

Utilice un taco de madera para proporcionar estabilidad. Esto será necesario cuando el umbral de la ventana sobresalga mucho del plano de la pared. Vea la (Fig. 8).

Instrucciones de instalación

6. Instalación del gabinete

A. Alinee un agujero de la parte inferior del gabinete con un agujero del soporte ensamblado. Sujete el gabinete al soporte ensamblado con 3 de los tornillos de 1/4" proporcionados. Repita el mismo procedimiento del otro lado del gabinete. Vea la (Fig. 10).

B. Asegúrese de que el canal de montaje en forma de L esté delante del marco. El canal en forma de U de la parte inferior del gabinete deberá quedar en el riel del soporte ensamblado. Baje la ventana hasta que apoye justo detrás de la parte delantera del canal de montaje en forma de L. Vea la (Fig. 11).

C. Asegúrese de que el gabinete esté levemente inclinado hacia abajo en la parte externa. Si es necesario vuelva a ajustar el soporte, tal como se indica en la Fig. 7.

7. Asegure las Persianas

A. Vuelva a colocar con cuidado el aire acondicionado en el gabinete. (Pida ayuda para realizar este procedimiento.)

B. Vuelva a instalar los tornillos del armazón deslizante (que se quitaron anteriormente) de ambos lados del gabinete. Vea la (Fig. 12). Asegure la parte superior de los marcos al marco de la ventana con 2 tornillos de 3/4".

C. Ahora, asegure el marco inferior de las persianas con una grapa y un tornillo de 3/4" de cada lado (Fig. 12).

8. Cómo Volver a Instalar el Panel Frontal

A. Coloque el panel frontal en el gabinete comenzando por la parte de arriba. Las trabas del panel frontal deben insertarse en las ranuras de sujeción del gabinete. Repita este procedimiento de todos los lados.

B. Asegure la rejilla frontal al gabinete con los tornillos Philips que quitó anteriormente (Fig. 1).

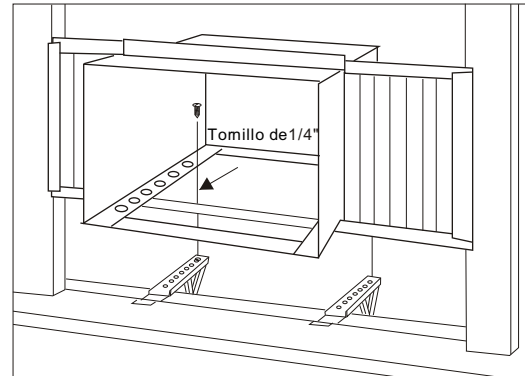


Fig. 10

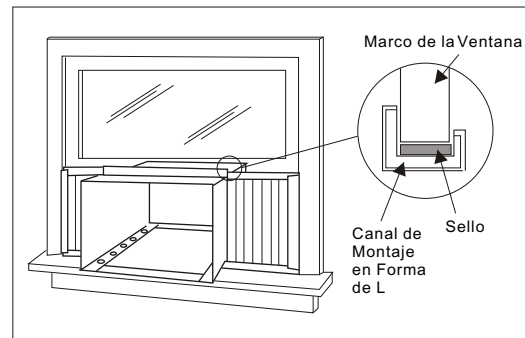


Fig. 11

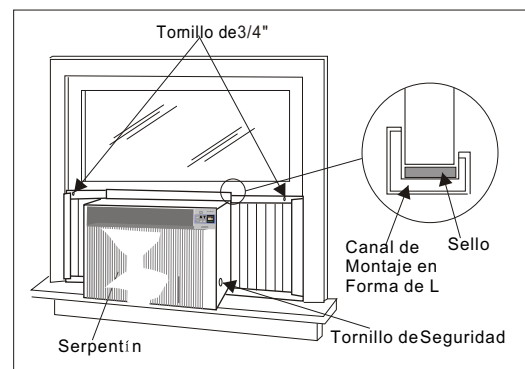


Fig. 12

Instrucciones de instalación

9. Finalice la instalación

A. Corte la espuma para que quepa en la abertura entre la parte superior del interior y exterior de la ventana. Vea la (Fig. 13).

B. Es probable que algunas instalaciones necesiten tira selladora adicional alrededor de la ventana y el aire acondicionado. Verifique si hay alguna pérdida de aire y séllela si es necesario.

C. En zonas de mucha humedad, es posible que la descarga de agua haga que la unidad desborde o que el aire acondicionado haga más ruido. Si esto sucede, puede acoplar una manguera de desagüe (no incluida) al tapón de drenaje para que las condensaciones se descarguen bien. Vea la (Fig. 14).

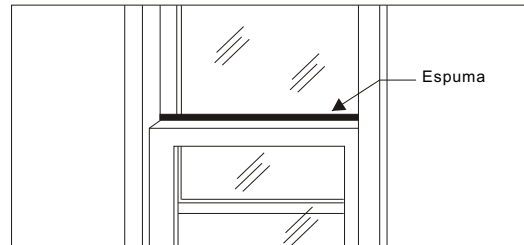


Fig. 13

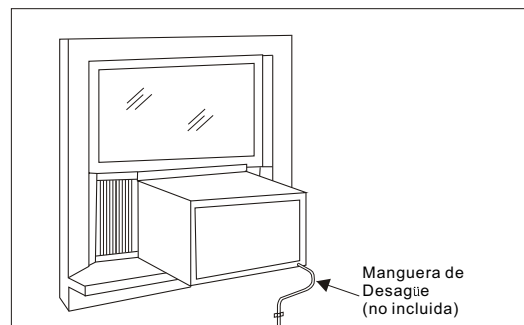


Fig. 14

Instrucciones de Operación

MODE (Modo)

La perilla de modo controla las velocidades de ventilador y de enfriamiento. Para fijar una temperatura de enfriamiento, simplemente haga rotar la perilla y colóquela en el nivel deseado. Vea la Fig. 15.

THERMOSTAT (Termostato)

El termostato controla automáticamente el ciclo de enfriamiento (compresor) del aire acondicionado para mantener la temperatura del ambiente. No obstante, el motor del ventilador continuará funcionando una vez finalizado el funcionamiento del compresor (ciclo de enfriamiento). Vea la Fig.15.

LOW FAN (Ventilador al Mínimo) hará que el aire circule a una velocidad mínima sin enfriar.

MED FAN (Ventilador al Mediano) hará que el aire circule a una velocidad mediana sin enfriar.

HIGH FAN (Ventilador al Máximo) hará que el aire circule a una velocidad máxima sin enfriar.

LOW COOL (Frío Mínimo) enfría el ambiente automáticamente con una circulación mínima de aire. Se recomienda durante la noche.

MED COOL (Frío Mediano) enfría el ambiente automáticamente con una circulación mediana de aire. Se recomienda durante la noche.

HIGH COOL (Frío Máximo) enfría el ambiente automáticamente de manera rápida o durante días de calor intenso. Una vez que la habitación esté fría, reduzca el nivel a LOW COOL.

OFF (Apagado) apaga la unidad completamente.

Ventilación de aire fresco se usa para mantener en la posición cerrado. Usando sólo para limpiar humos y/o olores de la habitación, tire a comenzar. Vea la Fig.16.

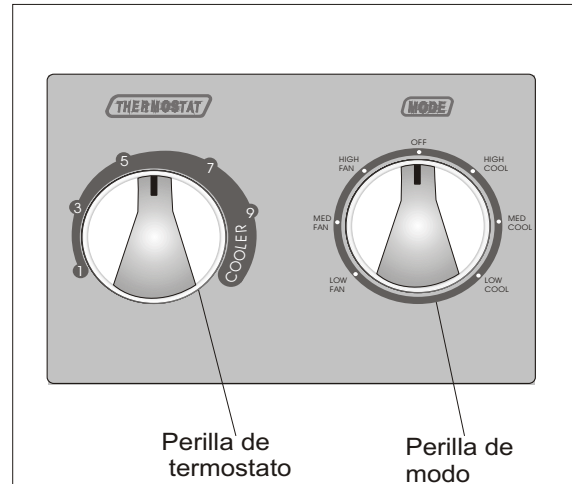


Fig.15

⚠ PRECAUCIÓN ⚠

Cuando utilice la perilla de control de ventilador, hágala girar lentamente para permitir que la unidad se adapte al nivel.

Cuando utilice THERMOSTAT, asegúrese de esperar tres minutos antes de cambiar la temperatura. Si la cambia demasiado rápido es posible que cause una sobrecarga y se queme el fusible.

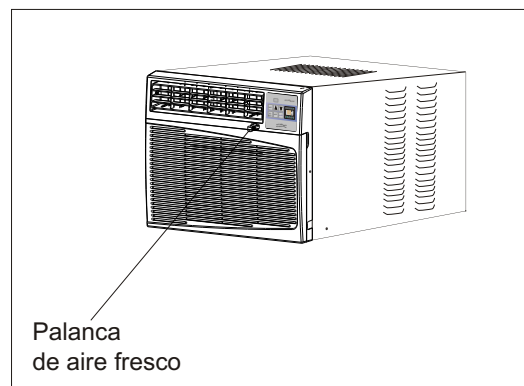


Fig.16

Instrucciones de Operación

Este aire acondicionado se puede operar fácilmente con los botones del panel de control así como también con el control remoto.

Botón (Encendido/Apagado)

Si presiona este botón, encenderá el aire acondicionado. Cuando el aire acondicionado está de calefacción, se imprimirá este botón 3 minutos después.

Botón Mode (Modo)

Cada vez que se presiona el botón MODE, el modo de operación cambia en estas secuencias:

Modelo COOLING ONLY: COOLING (Enfriamiento)
FAN ONLY (Sólo ventilador) ENERGY SAVING (Ahorro de Energía) COOLING (Enfriamiento);

Modelo WITH HEATER: COOLING (Enfriamiento) FAN ONLY (Sólo ventilador) HEATING (Calefacción) ENERGY SAVING (Ahorro de Energía) COOLING (Enfriamiento).

NOTA: Después de seleccionar un nivel, espere 3 minutos antes de pasar a otro.

Con el modo de FAN ONLY, el recinto de la temperatura de habitación será Desde 0 °C (32 °F) hasta 38 °C (99 °F).

La temperatura de la habitación es superior a 32 °F, la temperatura lucirá L0.

La temperatura de la habitación es superior a 99 °F, la temperatura lucirá H1.

Botón Fan Speed (Velocidad del Ventilador)

Se utiliza para seleccionar la velocidad del ventilador en secuencia: automática, baja, media y alta.

Botón Timer (Temporizador)

Se utiliza para programar o cancelar el funcionamiento del temporizador.

Cuando la unidad está en funcionamiento, puede seleccionar OFF TIMER (Apagar Temporizador).

Cuando la unidad está apagada, puede seleccionar ON TIMER (Encender Temporizador).

El rango de horas para programar el temporizador es de 0 a 24 horas.

Si selecciona OFF TIMER, la pantalla del temporizador indicará durante 12 segundos el tiempo restante para el apagado de la unidad y luego indicará la temperatura fijada.

Si presiona el botón TIMER dentro de esos 12 segundos, se desactivará la función OFF TIMER.

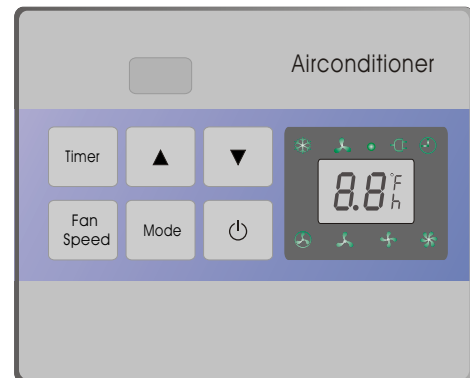
Si selecciona ON TIMER, la pantalla del temporizador indicará el tiempo restante para el encendido de la unidad. Si desea cancelar la función ON TIMER, presione el botón TIMER.

Botón ▲ ▼









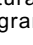
Se utiliza para fijar la temperatura ambiente en modo COOLING o para programar la hora en modo TIMER. Si se presionan las dos teclas a la vez, el indicador de temperatura alternará entre °C y °F.


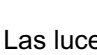
NOTA: el rango de temperaturas oscila entre 19 °C (66 °F) y 31 °C (88 °F).

Panel de Control



Indication symbols of LED on control panel:

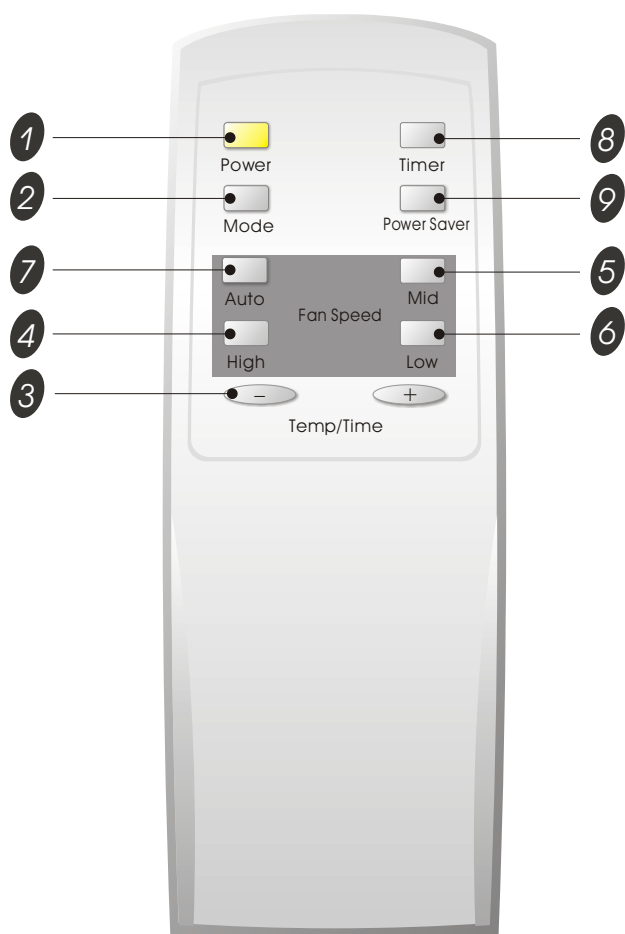
- | | |
|--|---|
|  Ventilador en velocidad automática |  Enfriamiento |
|  Ventilador en velocidad baja |  Sólo ventilador |
|  Ventilador en velocidad media |  Temporizador |
|  Ventilador en velocidad alta |  Ahorro de energía |
| |  Calefacción |

 ^F
Mostrar temperatura fijada
 _{HR}
Mostrar hora programada

Las luces del indicador LED anteriormente mencionadas se encienden cuando se usan los modos correspondientes.

Instrucciones de Operación

Control remoto



1 Botón Power (Encendido/Apagado)

El aparato se encenderá si está apagado o apagará cuando está en operación, si oprime este botón.

2 Botón Mode (Modo)

Utilice este botón para seleccionar el modo de operación.

3 Botón + -

Botones de ajuste de temperatura oprima para ajustar la temperatura del cuarto. oprima para programar la hora.

4 Botón High

Para ajustar el modo alta velocidad de ventilador.

5 Botón Mid

Para ajustar el modo mediana velocidad de ventilador.

6 Botón Low

Para ajustar el modo baja velocidad de ventilador.

7 Botón Auto

Para ajustar el modo auto velocidad de ventilador.

8 Botón Timer (Temporizador)

Para poner o cancelar la operación de timer.

9 Botón Power Saver

Para ajustar el modo de energia-ahorro.

- ☑ • Después de seleccionar un nivel, espere 3 minutos antes de pasar a otro.
- Espere 3 minutos antes de recomenzar el aparato.

Instrucciones de Operación

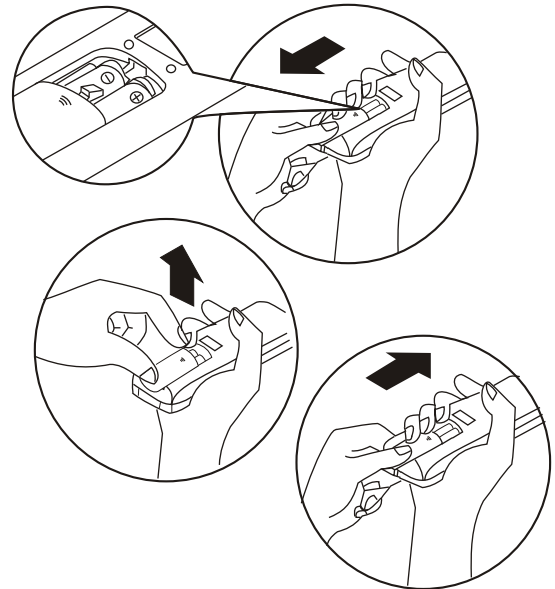
Control remoto

• Colocaión de las pilas

Retire la tapa de las en el sentido de la flecha. Introduzca las pilas nuevas, con cuidado de que coincidan los polos (+) y (-). Vuelva a instalar la tapa, deslizándola otra vez a su posición.

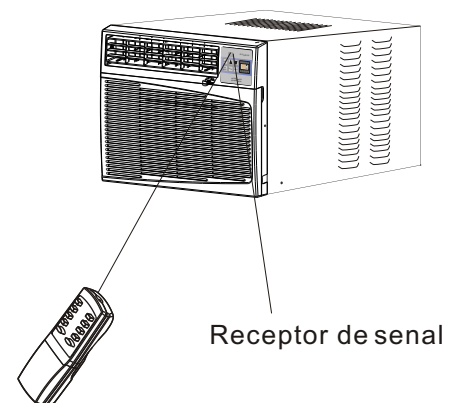
Nota:

- **Utilice pilas 2 LR6 AA (1.5V). No utilice pilas recargables. Sustituya las pilas por otras nuevas del mismo tipo cuando la pantalla aparezca atenuada.**
- **Si la sustitución se realiza en el plazo de 1 minuto, el mando a distancia conservará los valores prefijados originales (Esta función es sólo para controlador remoto de LCD).**



• C cómo use

Para operar el aire acondicionado, apunte el controlador remoto la señal del receptor. El controlador remoto se ra a operar el aire acondicionado con una diatancia hasta 23 pies cuando apunta a la señal del receptor de la unidad.



Cuidado y Mantenimiento

Cuando repare el aire acondicionado, asegúrese de colocar la perilla de modo en OFF y luego desconectar el cable de alimentación del tomacorriente eléctrico.

1. NO utilice gasolina, bencina, disolvente u otros productos químicos en el aire acondicionado, ya que estas sustancias pueden dañar el acabado de pintura y deformar las piezas de plástico.

2. Nunca derrame agua directamente en el frente de la unidad ya que dañaría el aislamiento eléctrico.

Limpieza del Filtro de Aire

Extracción del Filtro de Aire

Si el filtro de aire se obstruye con polvo, el flujo de aire queda obstruido y reduce el rendimiento de la unidad. El filtro de aire deberá limpiarse una vez al mes. Es probable que sea necesario limpiarlo con más frecuencia dependiendo de la calidad de aire exterior o interior.

Cómo Quitar el Filtro de Aire

El filtro de aire de los modelos anteriormente mencionados se encuentra detrás de la rejilla de entrada de aire delantera. Para quitarlo tome el mango del filtro ubicado en la parte superior de la rejilla de entrada de aire y deslícelo hacia arriba.

Para volver a instalarlo realice los procedimientos anteriores a la inversa.



CAUTION



NO olvide instalar el filtro de aire. Si el aire acondicionado funciona sin el filtro de aire, el polvo no se puede eliminar de la habitación y es posible que la unidad se descomponga.

Cuando la rejilla de entrada de aire y el gabinete estén sucios, límpielos con agua templada (por debajo de los 104°F). Se recomienda el uso de un detergente suave.

Limpieza del Filtro de Aire

1. Elimine el polvo acumulado en el filtro. Para ello aplíquele unos golpes suaves o una aspiradora doméstica.
2. Lave bien el filtro con agua templada, de temperatura inferior a los 40°C (104°F), mientras lo frota suavemente. Para obtener mejores resultados, lávelo con agua jabonosa o con un producto de limpieza neutro.
3. Enjuague bien el filtro con agua limpia y luego séquelo completamente.

Cuidado de Fin de Temporada

1. Haga funcionar el ventilador durante medio día para que se seque el interior de la unidad.
2. Apáguelo y desenchúfelo del tomacorriente de pared.
3. Limpie el filtro.
4. Almacénelo en un lugar seco.

Guía para la Solución de Problemas

Generalmente los problemas son sencillos y es probable que no sea necesario llamar a un técnico. Esta guía puede ayudarlo a resolverlos.

PROBLEMA	CAUSA POSIBLE	SOLUCIÓN SUGERIDA
El aire acondicionado no funciona	La unidad no recibe suministro eléctrico.	Verifique si el cable de alimentación está conectado al tomacorriente. Verifique el fusible o el cortacircuito. Fije el FAN CONTROL (control del ventilador) en una posición que no sea OFF.
Enfría poco o nada	Filtro de aire sucio. Capacidad inadecuada para la aplicación. Flujo de aire obstruido. Corte de energía eléctrica, se cambió de nivel demasiado rápido o se disparó el interruptor por sobrecarga del compresor.	Limpie o reemplace el filtro de aire. Hable con el representante para determinar cuál es la capacidad adecuada para la aplicación. Quite toda obstrucción de la rejilla o de las persianas exteriores. Haga funcionar el ventilador para reiniciar el compresor (en aproximadamente 10 minutos).
Unidad ruidosa	Piezas sueltas. Soporte inadecuado.	Ajuste las piezas sueltas. Proporcione soporte adicional a la unidad.
Olores	Formación de moho u hongos sobre las superficies húmedas.	Quite el tapón de drenaje y la bandeja base. Cambie el tapón de drenaje. Limpie la unidad en forma completa.
Gotea agua afuera	Es normal la descarga de condensación cuando el clima es cálido y húmedo.	Utilice tuberías flexibles para desviar el flujo de agua.
Gotea agua adentro	La unidad no está bien inclinada como para permitir el desagüe externo.	La unidad debe instalarse con un ligero desnivel para permitir una descarga adecuada de la condensación. Verifique la unidad y realice los ajustes necesarios.
Se forma hielo o escarcha	Baja temperatura exterior. El filtro de aire de la unidad está sucio.	Cuando la temperatura exterior sea inferior a los 65°F es posible que se forme escarcha si la unidad funciona en modo de enfriamiento. Cambie el funcionamiento de la unidad a FAN (solamente) hasta que la escarcha se derrita. Quite el filtro y límpielo.

NOTA:

Si el cortacircuito interrumpe la corriente varias veces o el fusible se quema más de una vez, comuníquese con un técnico licenciado.

GARANTÍA

GARANTÍA COMPLETA DE 5 AÑOS

Este producto se garantiza por 5 años a partir de la fecha de la compra original. Cualquier parte que falle en materiales o la ejecución será substituida dentro del período de la garantía. Esta garantía incluye servicio a domicilio. Una copia de su prueba de la compra, con la fecha de la compra del producto incluida, se requiere para acordar esta reparación del servicio.

Para el nombre y la localización de un prestador de servicio autorizado lo más cerca posible a usted, llame por favor al 1-877-465-3566. Refiérase por favor al nombre del producto, a la marca, y al número de modelo cuando usted llama.

Esta garantía no se aplica si el daño ocurre debido a accidente, manejo u operación incorrectos, daños de transporte, abuso, uso erróneo, reparación no autorizada, el uso comercial del producto u otro uso para el cual no fuera pensado.

TODAS LAS GARANTÍAS, EXPRESADAS O IMPLICADAS, DURAN POR 5 AÑOS A PARTIR DE LA FECHA DE LA COMPRA ORIGINAL. ESTA GARANTÍA NO CUBRE LA RESPONSABILIDAD POR LOS DAÑOS FORTUITOS O CONSECUENTES PARA CUALESQUIER CAUSA EN NINGUN CASO.

Esta garantía se extiende al dueño original y a cualquier dueño subsiguiente para los productos comprados para el uso casero dentro de los E.E.U.U.. Algunos estados no permiten la exclusión o la limitación de daños fortuitos o consecuentes. Esta garantía le da los derechos específicos, y usted puede también tener otros derechos que puedan variar de estado a estado. Para saber cuáles son, sus derechos legales consulte a su oficina local del consumidor o a la procuraduría de su estado.

Admiral[®]

2002-2005 Kelon Air Conditioner company and Kelon USA, Inc. All rights reserved.

Printed in China

Version No. 819041944-1

Free Manuals Download Website

<http://myh66.com>

<http://usermanuals.us>

<http://www.somanuals.com>

<http://www.4manuals.cc>

<http://www.manual-lib.com>

<http://www.404manual.com>

<http://www.luxmanual.com>

<http://aubethermostatmanual.com>

Golf course search by state

<http://golfingnear.com>

Email search by domain

<http://emailbydomain.com>

Auto manuals search

<http://auto.somanuals.com>

TV manuals search

<http://tv.somanuals.com>