



Air King
Central Vacuums®

USER'S GUIDE



CVS-22E QuietDrive® Premium Pack

IMPORTANT SAFETY INSTRUCTIONS

* **READ ALL INSTRUCTIONS** before using the Electric Powerhead.

When using this electrical appliance, basic precautions should always be followed, including the following:

WARNING: Electric shock could occur if used outdoors or on wet surfaces.

- Unplug and disconnect power before servicing.
2. Always turn off this appliance before connecting or disconnecting either hose or motorized nozzle.
 3. Do not vacuum up anything that is burning or smoking, such as cigarettes, matches, or hot ashes.
 4. Do not pick up flammable or combustible liquids such as gasoline or use it in areas where they may be present.
 5. Use only as described in this manual. Use only manufactures recommended attachments.
 6. Do not unplug by pulling on cord. To unplug, grasp plug, not the cord.
 7. Do not handle system or appliances with wet hands.
 8. Turn off all controls before unplugging.
 9. Do not use with damaged cord or plug.
 10. Do not allow to be used as a toy. Pay close attention when used by or near small children.
 11. The hose contains electrical wires. Do not use if damaged, cut, or punctured. Avoid picking up sharp objects.
 12. Do not put any object into openings.
 13. Do not use with any opening blocked; keep free of dust, lint, hair, and anything that may reduce air flow.
 14. Keep hair, loose clothing, fingers, and all parts of the body away from openings and moving parts.
 15. Do not leave vacuum or brush when plugged in. Unplug from outlet when not in use and before servicing.
 16. If appliance is not working as it should, has been dropped, damaged, left outdoors, or dropped in water, return it to your distributor
 17. Use extra care when cleaning on stairs.

SAVE THESE INSTRUCTIONS — INTENDED FOR HOUSEHOLD USE ONLY

SAVE THESE INSTRUCTIONS

CVS-22E CT20DXQD Electric Package

Individual tools may vary and are subject to change at any time.



PACKAGE INCLUDES:

1. **CT20DXQD** — 14" QuietDrive® Electric Brush
2. **99396** — 30 FT Universal Connect Hose
3. **51691** — Integrated Telescopic Wand w/ButtonDown™
4. **34553** — Ratchet Telescopic with ButtonDown™
5. **34839** — Deluxe Dusting Brush
6. **34817** — Deluxe Crevice Tool
7. **35301** — Deluxe Upholstery Tool
8. **34751** — Wand Tool Caddy
9. **35213** — Graphite Plastic Hose Hanger
10. **35224** — Mesh Caddy Bag
11. **34018** — 12" Natural Fill Brush

CT20DXQD 14" ELECTRIC BRUSH

This powerbrush, with metal agitator, is to be used to vacuum wall-to-wall carpeting, handmade carpets, fine rugs, and other flooring. This powerbrush must be used with the integrated wand.

FEATURES INCLUDE:



Soft over molded wheels mean less wheel noise on hard floor surfaces and insure against scratches to floor surfaces.



Height adjustment for a wide variety of carpet.



Brushroll design channels dirt from the outer edges to the center where it can be vacuumed away.



Head light provides extra visibility in closets and under furnishings insuring you avoid articles on the floor you don't wish to expose to the power nozzle.



Reinforced poly-v drive insures years of reliable service without the noise and vibration associated with geared belts. A poly-v belt design insures more surface contact between the drive pulley and the belt providing better power transmission than cogged designs.

REMEMBER: As with all electric appliances, risk of shock is possible. Do not remove brush, pull wands out, or attempt maintenance while power is on.

SAVE THESE INSTRUCTIONS

INTEGRATED TELESCOPIC WAND



A gentle push on Button-Down™ releases your hose from the wand. No struggling with tiny buttons or strain to separate the hose for above the floor cleaning.

The hose to wand connection is designed for a positive lock with a reliable recessed electrical connection.



Easy wand release lever permits the wand retraction from the electric nozzle for above the floor cleaning saving you time and effort As you move through your home. The wand accepts standard cleaning accessories and a floor brush eliminating the need for a second wand set.

CT20DXQD ELECTRIC BRUSH INSTRUCTIONS

INSTALLATION:

1. Read important safety instructions before installing powerhead.
2. Ensure vacuum cleaner is disconnected from power supply before installing powerhead.
3. Connect extension wands from vacuum into powerhead's neck.

STORAGE:

1. Ensure vacuum cleaner is disconnected before unplugging powerhead.
2. Disconnect wand from hose.
3. Remove powerhead from wand and store powerhead in a safe place.

CHANGING BELT:

1. Disconnect vacuum cleaner from power supply.
2. Remove screws from bottom of powerhead.
3. Remove base plate from powerhead.
4. Remove brush roll.
5. Replace old belt with new belt.
6. Insert brush roll back into correct spot.
7. Replace base plate and put screw back in.

CHANGING BRUSH ROLL:

1. Disconnect powerhead from electrical supply.
2. Remove screws from bottom of powerhead.
3. Remove base plate from powerhead.
4. Replace old brush roll with new brush roll.
5. Insert brush roll back into correct spot.
6. Replace base plate and put screw back in.

INTEGRATED WAND INSTRUCTIONS

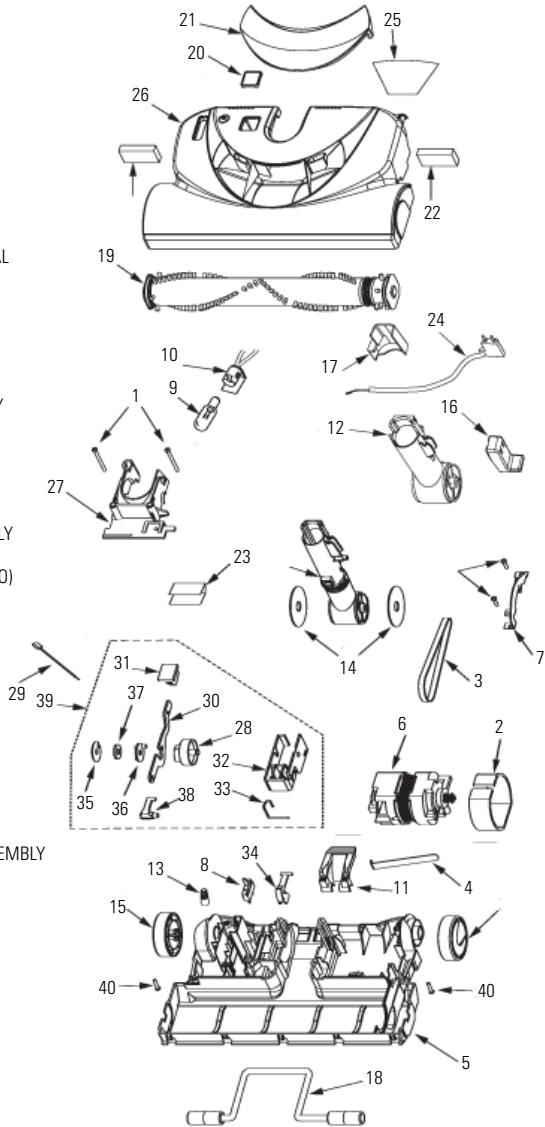
The wand length is adjustable and requires no assembly. To adjust, simply push down on the wand and adjust button and slide to the desired height.



SAVE THESE INSTRUCTIONS

CT20DXQD EXPLOSION

- 1 40713 SCREW
- 2 40724 MOTOR GASKET
- 3 40999 BELT
- 4 40284 MOTOR SPRING
- 5 41010 LOWER PLATE
- 6 41021 MOTOR
- 7 40317 MOTOR BRIDGE
- 8 41032 OVERLOAD PROTECTOR
- 9 39943 LIGHT BULB
- 10 41043 BULB SOCKET
- 11 40339 HANDLE RELEASE PEDAL
- 12 40350 SWIVEL
- 12 40768 WIRE CONNECTOR
- 14 40383 SWIVEL SEAL
- 15 41054 WHEEL
- 16 40405 PEDAL EASY RELEASE
- 17 40416 REAR COVER
- 18 40427 FRONT AXLE ASSEMBLY
- 19 41065 AGITATOR UNIT
- 20 40801 INDICATOR WINDOW
- 21 41076 LIGHT LENS
- 22 40823 EXHAUST FOAM
- 23 41087 WINDOW REFLECTOR
- 24 40460 CORD & PLUG ASSEMBLY
- 25 41098 REFLECTOR NOZZLE
- 26 41109 NOZZLE HOUSING (DECO)
- 27 40867 SWIVEL CAP
- 28 40878 CAM INDICATOR
- 29 41120 LEAD WIRE
- 30 40570 INDICATOR LEVER
- 31 40581 PAD FOOT PEDAL
- 32 40592 INDICATOR BLOCK
- 33 40603 SPRING ASSIST
- 34 40625 LIFTER
- 35 40889 THRUST WASHER
- 36 40900 CATCH INDEXING WASHER
- 37 40911 WASHER
- 38 40922 RATCHET CATCH
- 39 40933 INDICATOR BLOCK ASSEMBLY
- 40 40944 SCREW



4-WIRE SWIVEL ELECTRIC CRUSH-PROOF HOSE

The “slimfit” style handle has 360° rotation to minimize kinks, effort, and in-hand weight. For use with the electric brush.

HOSE HANDLING:

Hold the hose and handle in any way you find to be the most comfortable. With this new style handle, numerous hand positions are offered and reduce strain and increase ease of use.



Also, for added ease while vacuuming, try keeping the hose behind you rather than out in front of you. Use one hand to hold the handle and the other hand to hold and guide the hose. Again, do what feels comfortable to you.



THREE POSITION SWITCH:

Allows vacuum to be controlled from the handle

- Vacuum on, Brush off
- Vacuum off, Brush off — Center Position
- Vacuum on, Brush on

IMPORTANT:

Make sure power is turned **OFF** before removing the hose and handle from the wand. Arcing or damage to the electrical contacts can occur if the wand is removed while brush power is on.



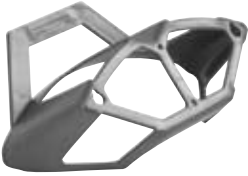
Universal Wall End:

Use with standard pin-jack valve.

To insert hose cuff into valve: Lift valve door, insert cuff into hole, & plug cord into 110 electrical outlet.

SAVE THESE INSTRUCTIONS

CLEANING ATTACHMENTS AND TOOLS



PLASTIC HOSE HANGER:

- Use of hanger can increase the life of your hose and save space while storing.
- Coil your hose around this hanger to store when not in use.
- Mount on a wall in a closet, garage, or any other convenient location for hose storage, and place it high enough so you can loop your hose only four times and still clear the floor.
- Mounts using only one stud and two screws.

12" FLOOR BRUSH:

- Works well to clean bare floors, wood flooring, tile, etc.
- Shorter bristles in front, longer in back, allows larger dirt particles to be picked up with forward movement.



For best results, do not force the front of the brush down when moving forward. allow the brush to gently glide across the floor. The front of the brush should allow particles to enter through the raised bristles.



CREVICE TOOL:

- Tool to reaches into cracks and crevices such as tracks of sliding glass doors, corners, along baseboards, and even in the cracks of couches and other furniture.
- Notched end helps maintain air flow and proper suction.
- This tool has flat sides which makes it great for reaching under refrigerators, around air conditioner coils, and other hard to reach places that collect a lot of dust and dirt.

DUSTING BRUSH:

- Use for dusting furnishings such as bookcases, tables, desks, and mantles.
- Also great for dusting picture frames, collectibles, tops of televisions, window sills, and even the backs of computer monitors.
- Full, natural bristles for gentle cleaning.



CLEANING ATTACHMENTS AND TOOLS



UPHOLSTERY TOOL:

- Cleans upholstered furniture, drapes, mattresses, and even works well on vehicle upholstery and carpets.
- Won't seal to the floor or furniture, keeping the air flow necessary for effective cleaning.

INTEGRATED TELESCOPIC WAND:

- Attach any of your standard suction tools such as the upholstery tool or dusting brush for whatever cleaning needs you may have.



TOOL CADDY:

- Adds portable convenience by allowing multiple tools to be carried on the wand for quicker and easier access.
- To attach: Snap caddy onto wand at an angle (beveled side first), then slip attachments and tools onto caddy pegs. when clipping it onto wand, attach it so that the two-peg side faces up, while the single-peg side faces down the wand. This will keep your tools on better.



MESH TOOL CADDY BAG:

- Holds accessories and tools making them more manageable.
- For storing and transporting tools & accessories.



Accessories shown may not be to scale.

SAVE THESE INSTRUCTIONS

For more details on these or any other AirKing products, contact your local Airking dealer or visit our websites at www.airkinglimited.com

Caring for your carpet.

“Proper maintenance will extend the time you can enjoy your carpet and help keep its fresh appearance. Vacuum regularly, remove spills promptly, and extraction clean periodically. Use a strong, well functioning vacuum cleaner with a powerful airflow, adjustable brushes, and an enclosed, high efficiency filtration bag. It is best to purchase a vacuum cleaner that bears the **CRI indoor Air Quality Testing Program label**, assuring that the cleaner will remove soil well, contain the dust within the machine, and protect the carpet’s appearance.”

—The Carpet & Rug Institute (CRI)

For more information on caring for your carpet, please visit the CRI website at www.carpet-rug.com

AIR KING AMERICA LIMITED WARRANTY:

WHAT THIS WARRANTY COVERS: This product is warranted against defects in workmanship and/or materials.

HOW LONG THIS WARRANTY LASTS: This warranty extends only to the original purchaser of the product and lasts for one (1) year from the date of original purchase or until the original purchaser of the product sells or transfers the product, whichever first occurs.

WHAT AIR KING WILL DO: During the warranty period, Air King will, at its sole option, repair or replace any part or parts that prove to be defective or replace the whole product with the same or comparable model.

WHAT THIS WARRANTY DOES NOT COVER: This warranty does not apply if the product was damaged or failed because of accident, improper handling or operation, shipping damage, abuse, misuse, unauthorized repairs made or attempted. This warranty does not cover shipping costs for the return of products to Air King for repair or replacement. Air King will pay return shipping charges from Air King following warranty repairs or replacement **ANY AND ALL WARRANTIES, EXPRESSED OR IMPLIED (INCLUDING, WITHOUT LIMITATION, ANY IMPLIED WARRANTY OF MERCHANTABILITY), LAST ONE YEAR FROM THE DATE OF ORIGINAL PURCHASE OR UNTIL THE ORIGINAL PURCHASER OF THE PRODUCT SELLS OR TRANSFERS THE PRODUCT, WHICHEVER FIRST OCCURS AND IN NO EVENT SHALL AIR KING’S LIABILITY UNDER ANY EXPRESS OR IMPLIED WARRANTY INCLUDE (I) INCIDENTAL OR CONSEQUENTIAL DAMAGES FROM ANY CAUSE WHATSOEVER, OR (II) REPLACEMENT OR REPAIR OF ANY HOUSE FUSES, CIRCUIT BREAKERS OR RECEPTACLES. NOTWITHSTANDING ANYTHING TO THE CONTRARY, IN NO EVENT SHALL AIR KING’S LIABILITY UNDER ANY EXPRESS OR IMPLIED WARRANTY EXCEED THE PURCHASE PRICE OF THE PRODUCT AND ANY SUCH LIABILITY SHALL TERMINATE UPON THE EXPIRATION OF THE WARRANTY PERIOD.**

Some states and provinces do not allow limitations on how long an implied warranty lasts, or the exclusion or limitation of incidental or consequential damages, so these exclusions or limitations may not apply to you. This warranty gives you specific legal rights. You may also have other rights which vary from state to state and province to province. Proof of purchase is required before a warranty claim will be accepted.

CUSTOMER SERVICE:

Toll-Free (800) 465-7300

Our Customer Service team is available to assist you with product questions, service center locations, and replacement parts. They can be reached Monday through Friday, 8am-4pm Eastern. Please have your model number available, as well as the type and style (located on the label inside of your product). Please do not return product to place of purchase.

www.airkinglimited.com

PARTS FOR DISCONTINUED, OBSOLETE AND CERTAIN OTHER PRODUCTS MAY NOT BE AVAILABLE. DUE TO SAFETY REASONS, MANY ELECTRONIC COMPONENTS AND MOST HEATER COMPONENTS ARE NOT AVAILABLE TO CONSUMERS FOR INSTALLATION OR REPLACEMENT.

CONTACT



Location Information

Corporate Headquarters for

United States division:

820 Lincoln Avenue

West Chester, PA 19380

Ph. 800.465.7300

#F51066

Free Manuals Download Website

<http://myh66.com>

<http://usermanuals.us>

<http://www.somanuals.com>

<http://www.4manuals.cc>

<http://www.manual-lib.com>

<http://www.404manual.com>

<http://www.luxmanual.com>

<http://aubethermostatmanual.com>

Golf course search by state

<http://golfingnear.com>

Email search by domain

<http://emailbydomain.com>

Auto manuals search

<http://auto.somanuals.com>

TV manuals search

<http://tv.somanuals.com>