



H A Harman International Company

C 680 BL

Table Microphone

Description

The C 680 BL is a boundary layer condenser microphone with a cardioid pattern intended for table use, lecterns, and houses of worship. The transducer is internally shock mounted for immunity to impacts on the mounting surface. The microphone is provided with a roll of non-staining double-sided adhesive for positive mounting of the microphone to a table or other flat architectural detail.

The microphone has a sensitivity of 23 mV/Pa and can directly drive many microphone input stages with limited gain reserve. The microphone is phantom powered over the range from 9 to 52 volts dc.



Specifications

Transducer Principle:	Condenser prepolarized
Frequency Range:	60–20,000 Hz
Polar Pattern:	Cardioid
Sensitivity at 1,000 Hz:	23 mV/Pa (-32 dBV) 30 mV/Pa (-30 dBV)
Equivalent Noise Level:	< 27 dB-A
Sound Pressure Level for 1% THD:	115 dB
S/N Ratio (A-weighted):	> 67 dB
Electr. Impedance:	< 200 ohms
Load Impedance:	> 2000 ohms
Power Requirement:	9–52 volts phantom powering
Connector:	3-Pin XLR type
Cable Length:	3 m (10 ft.)
Finish:	Non-reflective black
Size:	3.8 x 2.6 x 0.8 in. (97 x 67 x 20 mm)
Net/Shipping Weight:	3.5/10 oz. (100 g/284 g)
Included Accessories:	Phantom power adapter, adhesive tape
Optional Accessories:	B 18 Battery power supply N 62 E AC Power supply

Features

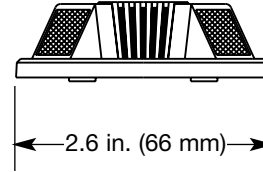
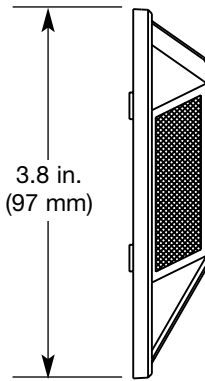
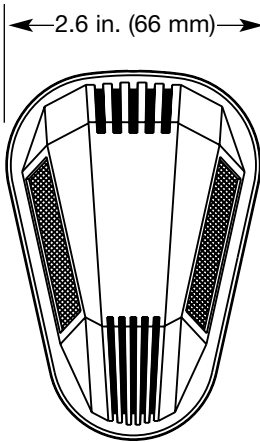
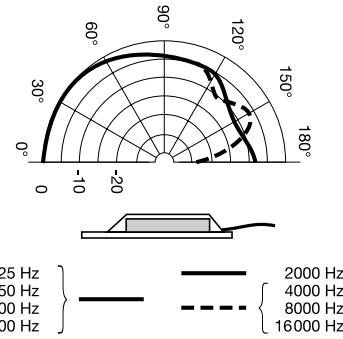
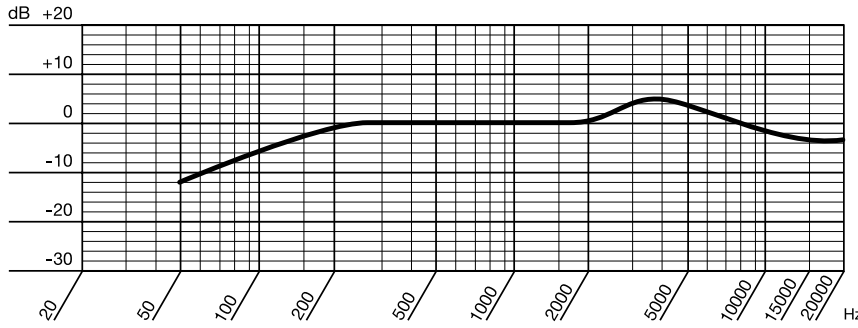
- Small & inconspicuous
- Shock mounted transducer
- Unidirectional pickup
- Repaintable

Architects and Engineers Specifications

The boundary layer microphone shall have a cardioid pattern and shall fit within a rectangular envelope given by: 3.8 x 2.6 x 0.8 in. (97 x 67 x 20 mm). The sensitivity of the microphone shall be no lower than 30 mV/Pa, and total harmonic distortion (THD) at an operating level of 115 dB shall be no greater than 1%. The equivalent noise level of the microphone shall be no

greater than 27 dB-A. The microphone's frequency response shall be flat from 200 Hz to 20 kHz, with a broad 5 dB peak in the 3 to 4 kHz range. Response below 200 Hz shall roll-off at a rate of 12 dB per octave. The microphone shall operate on phantom power over the range from 9 to 52 volts dc. The microphone shall be the AKG Acoustics Model C 680 BL.

Graphical Data



AKG is constantly improving and modifying its products, therefore, specifications are subject to change without notice.

Limited Warranty

Valid only in the United States. AKG Acoustics warrants AKG products against defects in material or workmanship for a period of two years from the date of original purchase for use, and agrees to repair or, at our option, replace any defective unit without charge for either parts or labor. Important: This warranty does not cover damage resulting from accident, misuse or abuse, lack of reasonable care, the affixing of any attachment not provided with the product, loss of parts or connecting the product to any but the specified receptacles. This warranty is void unless service or repairs are performed by an authorized service center. No responsibility is assumed for any special, incidental

or consequential damages. However, the limitation of any right or remedy shall not be effective where such is prohibited or restricted by law. Simply take or ship your AKG product prepaid to our service department. Be sure to include your sales slip as proof of purchase date. (We will not repair transit damage under the no-charge terms of this warranty.) Note: No other warranty, written or oral is authorized by AKG Acoustics, Inc. This warranty gives you specific legal rights, and you may also have other rights which vary from state to state. Some states do not allow the exclusion or limitation of incidental or consequential damages or limitation on how long an implied warranty lasts, so the above exclusions and limitation may not apply to you.

Microphones · Headphones · Wireless Microphones · Wireless Headphones · Headsets · Electroacoustical Components



H A Harman International Company

AKG Acoustics GmbH
Lemböckgasse 21-25, P.O.B. 158, A-1230
Vienna/AUSTRIA
Tel: (43 1) 86 654-0*, Fax: (43 1) 86 654-516
Internet: <http://www.akg.com>

AKG Acoustics; A Division of Harman Pro Germany
Bodenseestraße 228, D-81243 München/GERMANY
Tel: (089) 87 16-0, Fax: (089) 87 16-200

Arbiter Pro Audio
Wilberforce Road, London NW9 6AX/ENGLAND
Tel: (0181) 202 1199, Fax: (0181) 202 7076

AKG ACOUSTICS, U.S.
914 Airpark Center Drive
Nashville, TN 37217, U.S.A.
Tel: (615) 620-3800, Fax: (615) 620-3875

Studer Japan Ltd.
2-43-7, Uehara, Shibuya-ku, Tokyo 151-0064/JAPAN
Tel: (813) 3465-2211, Fax: (813) 3465-2214

Erikson Pro Audio
620 McCaffrey, St-Laurent, Quebec, H4T 1N1, CANADA
Tel: (514) 738-3000, Fax: (514) 737-5069
Internet: www.jam-ind.com/eriksonpro

Specifications subject to change without notice.

DS-C 680 BL

Free Manuals Download Website

<http://myh66.com>

<http://usermanuals.us>

<http://www.somanuals.com>

<http://www.4manuals.cc>

<http://www.manual-lib.com>

<http://www.404manual.com>

<http://www.luxmanual.com>

<http://aubethermostatmanual.com>

Golf course search by state

<http://golfingnear.com>

Email search by domain

<http://emailbydomain.com>

Auto manuals search

<http://auto.somanuals.com>

TV manuals search

<http://tv.somanuals.com>