



# PXI-H990

## Multimedia Manager™

**Guide for Installation and Connections**

**English**

**Guide d'installation et de connexions**

**Français**

**Guía de instalación y conexiones**

**Español**



**ALPINE ELECTRONICS MARKETING, INC.**

1-1-8 Nishi Gotanda,  
Shinagawa-ku, Tokyo 141-0031, Japan  
Phone 03-5496-8231

**ALPINE ELECTRONICS OF AMERICA, INC.**

19145 Gramercy Place, Torrance,  
California 90501, U.S.A.  
Phone 1-800-ALPINE-1 (1-800-257-4631)

**ALPINE ELECTRONICS OF CANADA, INC.**

7300 Warden Ave., Suite 203, Markham,  
Ontario L3R 9Z6, Canada  
Phone 1-800-ALPINE-1 (1-800-257-4631)

**ALPINE ELECTRONICS OF AUSTRALIA PTY. LTD.**

6-8 Fiveways Boulevard Keysborough,  
Victoria 3173, Australia  
Phone 03-9769-0000

**ALPINE ELECTRONICS GmbH**

Frankfurter Ring 117, 80807 München,  
Germany  
Phone 089-32 42 640

**ALPINE ELECTRONICS OF U.K. LTD.**

Alpine House  
Fletchamstead Highway,  
Coventry CV4 9TW, U.K.  
Phone 0870-33 33 763

**ALPINE ELECTRONICS FRANCE S.A.R.L.**

(RCS PONTOISE B 338 101 280)  
98, Rue de la Belle Etoile, Z.I. Paris  
Nord II, B.P. 50016, 95945 Roissy  
Charles de Gaulle Cedex, France  
Phone 01-48638989

**ALPINE ITALIA S.p.A.**

Viale C. Colombo 8, 20090 Trezzano  
Sul Naviglio (MI), Italy  
Phone 02-484781

**ALPINE ELECTRONICS DE ESPAÑA, S.A.**

Portal de Gamarra 36, Pabellón, 32  
01013 Vitoria (Alava) - APDO 133, Spain  
Phone 945-283588



# PRECAUTIONS

## GUIDE FOR INSTALLATION AND CONNECTIONS

- Please read this GUIDE FOR INSTALLATION AND CONNECTIONS and the OWNER'S MANUAL thoroughly to familiarize yourself with each control and function. We at ALPINE hope that your new PXI-H990 will give you many years of listening enjoyment. In case of problems when installing your unit, please contact your authorized ALPINE dealer.

### Points to Observe for Safe Usage

- Read this manual carefully before starting operation and use this system safely. We cannot be responsible for problems resulting from failure to observe the instructions in this manual.
- This manual uses various pictorial displays to show how to use this product safely and to avoid harm to yourself and others and damage to your property. Here is what these pictorial displays mean. Understanding them is important for reading this manual.
- **Meaning of displays**

|  |   |
|--|---|
|  <b>Warning</b> | This symbol means important instructions. Failure to heed them can result in serious injury or death.   |
|  <b>Caution</b> | This symbol means important instructions. Failure to heed them can result in injury or property damage. |

### **Warning**

**DO NOT DISASSEMBLE OR ALTER.** Doing so may result in an accident, fire or electric shock.

**USE THE CORRECT AMPERE RATING WHEN REPLACING FUSES.** Failure to do so may result in fire or electric shock.

**MAKE THE CORRECT CONNECTIONS.** Failure to make the proper connections may result in fire or product damage.

**USE ONLY IN CARS WITH A 12 VOLT NEGATIVE GROUND.** (Check with your dealer if you are not sure.) Failure to do so may result in fire, etc.

**BEFORE WIRING, DISCONNECT THE CABLE FROM THE NEGATIVE BATTERY TERMINAL.** Failure to do so may result in electric shock or injury due to electrical shorts.

**DO NOT ALLOW CABLES TO BECOME ENTANGLED IN SURROUNDING OBJECTS.** Arrange wiring and cables in compliance with the manual to prevent obstructions when driving. Cables or wiring that obstruct or hang up on places such as the steering wheel, gear lever, brake pedals, etc. can be extremely hazardous.

**DO NOT SPLICE INTO ELECTRICAL CABLES.** Never cut away cable insulation to supply power to other equipment. Doing so will exceed the current carrying capacity of the wire and result in fire or electric shock.

---

**DO NOT DAMAGE PIPE OR WIRING WHEN DRILLING HOLES.** When drilling holes in the chassis for installation, take precautions so as not to contact, damage or obstruct pipes, fuel lines, tanks or electrical wiring. Failure to take such precautions may result in fire.

---

**DO NOT USE BOLTS OR NUTS IN THE BRAKE OR STEERING SYSTEMS TO MAKE GROUND CONNECTIONS.** Bolts or nuts used for the brake or steering systems (or any other safety-related system), or tanks should NEVER be used for installations or ground connections. Using such parts could disable control of the vehicle and cause fire etc.

---

**DO NOT BLOCK VENTS OR RADIATOR PANELS.** Doing so may cause heat to build up inside and may result in fire.

---

**KEEP SMALL OBJECTS SUCH AS BATTERIES OUT OF THE REACH OF CHILDREN.** Swallowing them may result in serious injury. If swallowed, consult a physician immediately.

---

**DO NOT INSTALL IN LOCATIONS WHICH MIGHT HINDER VEHICLE OPERATION, SUCH AS THE STEERING WHEEL OR GEARSHIFT.** Doing so may obstruct forward vision or hamper movement etc. and results in serious accident.

## **Caution**

**HAVE THE WIRING AND INSTALLATION DONE BY EXPERTS.** The wiring and installation of this unit requires special technical skill and experience. To ensure safety, always contact the dealer where you purchased this product to have the work done.

---

**USE SPECIFIED ACCESSORY PARTS AND INSTALL THEM SECURELY.** Be sure to use only the specified accessory parts. Use of other than designated parts may damage this unit internally or may not securely install the unit in place. This may cause parts to become loose resulting in hazards or product failure.

---

**ARRANGE THE WIRING SO IT IS NOT CRIMPED OR PINCHED BY A SHARP METAL EDGE.** Route the cables and wiring away from moving parts (like the seat rails) or sharp or pointed edges. This will prevent crimping and damage to the wiring. If wiring passes through a hole in metal, use a rubber grommet to prevent the wire's insulation from being cut by the metal edge of the hole.

---

**DO NOT INSTALL IN LOCATIONS WITH HIGH MOISTURE OR DUST.** Avoid installing the unit in locations with high incidence of moisture or dust. Moisture or dust that penetrates into this unit may result in product failure.

## Precautions

---

- Be sure to disconnect the cable from the (–) battery post before installing your PXI-H990. This will reduce any chance of damage to the unit in case of a short-circuit.
- Be sure to connect the color coded leads according to the diagram. Incorrect connections may cause the unit to malfunction or damage to the vehicle's electrical system.
- When making connections to the vehicle's electrical system, be aware of the factory installed components (e.g. on-board computer). Do not tap into these leads to provide power for this unit. When connecting the PXI-H990 to the fuse box, make sure the fuse for the intended circuit of the PXI-H990 has the appropriate amperage. Failure to do so may result in damage to the unit and/or the vehicle. When in doubt, consult your ALPINE dealer.
- The PXI-H990 uses female RCA-type jacks for connection to other units (e.g. amplifier) having RCA connectors. You may need an adaptor to connect other units. If so, please contact your authorized ALPINE dealer for assistance.
- Be careful not to cause a short by jamming the cable into the computer when connecting. It can cause a fault.
- Alpine accepts no responsibility for damaged or lost data in your computer etc., even if data etc., is damaged or lost while using this product.

### Wiring Connections

Improper wiring connections could cause serious damage to your audio system. Be sure you:

1. DO NOT connect (–) wires from left and right speakers together.
2. DO NOT ground any speaker wires.
3. DO NOT run wires where they may be pinched or cut.
4. DO NOT leave bare speaker terminals exposed. They may contact the vehicle chassis and cause a short.

### Fuse

When replacing the fuse(s), the replacement fuse must be of the same amperage as shown on the fuse holder. If the fuse(s) blows more than once, carefully check all electrical connections for shorted circuitry. Also have your vehicle's voltage regulator checked. Do not attempt to repair the unit yourself; return it to your Alpine dealer or nearest Alpine Service Station for servicing.

### Temperature

In order to ensure proper performance, be sure the temperature in your vehicle is above 14°F (–10°C) and below 140°F (60°C) before turning your unit on. Good air circulation is essential to prevent internal heat build-up in the unit.

## Contents

|                                     |           |
|-------------------------------------|-----------|
| <b>PRECAUTIONS</b>                  | <b>2</b>  |
| <b>Accessories</b>                  | <b>6</b>  |
| <b>Installation</b>                 | <b>7</b>  |
| <b>Connections</b>                  | <b>10</b> |
| <b>Examples of system expansion</b> | <b>12</b> |

## IMPORTANT

Please record the serial number of your unit in the space provided below and keep it as a permanent record. The serial number plate is located on the bottom of the unit.

SERIAL NUMBER: \_\_\_\_\_  
INSTALLATION DATE: \_\_\_\_\_  
INSTALLATION TECHNICIAN: \_\_\_\_\_  
PLACE OF PURCHASE: \_\_\_\_\_

### **To prevent external noise from entering the audio system.**

- Locate the unit and route the leads at least 10 cm away from the car harness.
- Keep the battery power leads as far away from other leads as possible.
- Connect the ground lead securely to a bare metal spot (remove any paint, dirt or grease if necessary) of the car chassis.
- If you add an optional noise suppressor, connect it as far away from the unit as possible. Your Alpine dealer carries various noise suppressors. Contact them for further information.
- Your Alpine dealer knows best about noise prevention measures so consult your dealer for further information.

# Accessories

IONBUS cable (6m)



DVD Audio Link cable (6m)

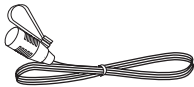


Tapping screws (M4 x 14)

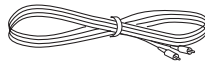


x 4

Microphone (6m)



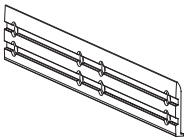
Microphone terminal connection cable (6m)\*<sup>1</sup>



Hexagonal wrench (M3)



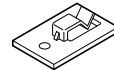
Bracket\*<sup>2</sup>



Bracket pan head screws (M4 x 8)\*<sup>2</sup>



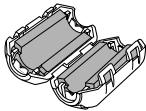
Cord clamp



x 8

x 4

Ferrite Core



x 2

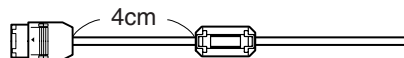
\*1 Used only when setting the microphone built in the monitor (TMI-M990, sold separately) as the Road EQ microphone.

\*2 Use when mounting two PXI-H990s together.

- Ferrite Core

Attach the Ferrite Core (included) to the both ends of the IONBUS cable at a location where the product does not touch the core when installing.

(When connecting to the main unit, attach the core at a location of approx. 4 cm from the terminal end.)



For connection of PXI-H990, the battery power cable (sold separately), ground cable (sold separately), remote out cable (sold separately), are necessary.

# Installation

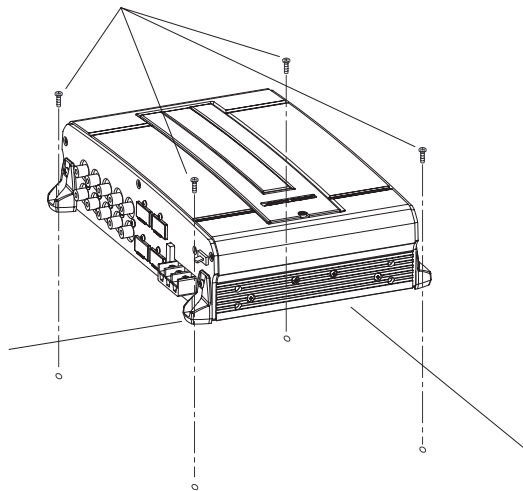
## • Mounting the base unit

1. Decide on the installation location.
  - The trunk, etc., is the best place.
2. Mark the positions of the mounting screws at the chosen location.
3. Drill 3 mm (1/8") holes or smaller.

**WARNING:** When making holes, be careful not to damage pipes, tanks, electric wires, etc. Doing so could lead to accidents or fire.

4. Securely mount the unit using the four included tapping screws (M4 x 14).

**Tapping screws (M4 x 14)**



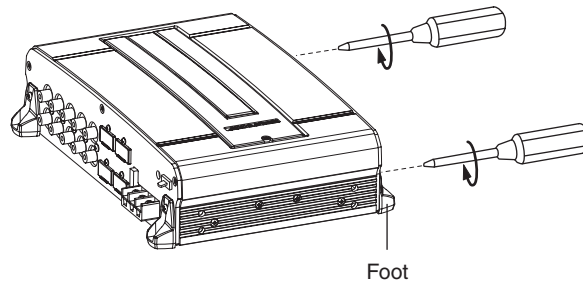


### < Setting up two PXI-H990s >

Find a location that can accommodate both unit together then proceed with the following procedure.

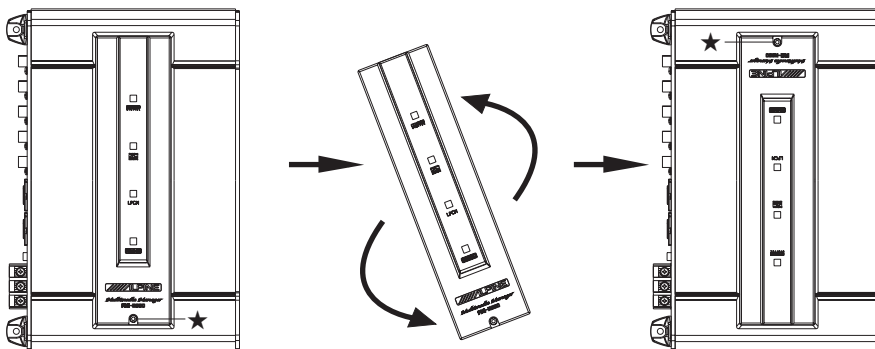
To set up two PXI-H990s, first connect both base units before setting them up.

1. Remove the feet from the base unit sides that have no terminals. One screw holds each foot in place.

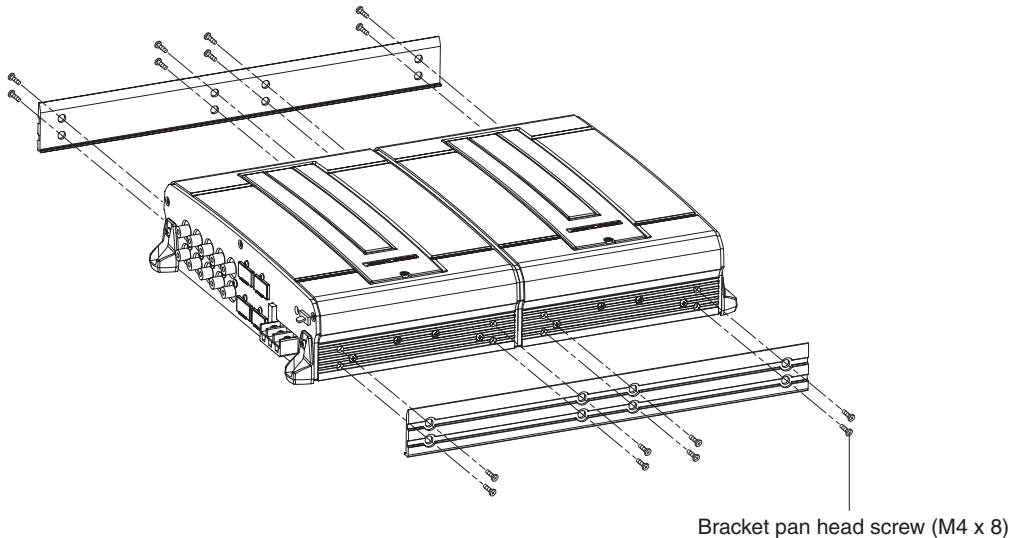


2. Remove the screw from the top part of one base unit marked with ★ using the supplied hexagonal wrench (M3). Reverse the direction of the plate and re-attach it as shown below.

Before re-attaching the plate, change the INDICATOR switch to "REVERSE". (For Basic Connections Diagram, refer to page 10)



3. Place two base units side by side, and attach the brackets with the supplied bracket pan head screws (M4 x 8).



4. Refer to “Mounting the base unit” on page 7, and firmly attach the base.



When using two PXI-H990s, change the System switch on the base unit to “DUAL”. (For Basic Connections Diagram, refer to page 10)

## • Mounting Microphone

### Mounting Location

Mount the microphone on the rear-view mirror, headrest, sun visor, or other appropriate location.

- We recommend that you mount it on the sun visor.

### 1. Attaching the microphone

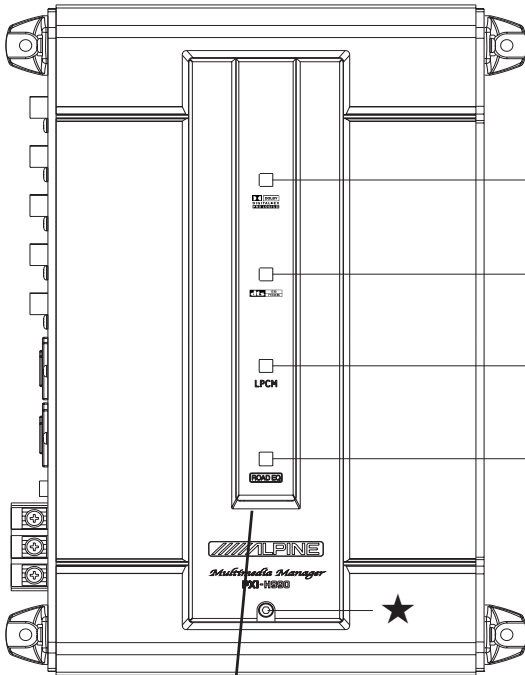
After mounting the microphone, use the supplied cord clamp to dress the microphone cable.

- You can use the internal microphone in the monitor (TMI-M990, sold separately) as a Road EQ Microphone. For more details about connecting, refer to “Examples of system expansion” (page 13).
- When connecting two PXI-H990s, connect the microphones to both units. In this case, the mounting location of two microphones should be the same.
- When connecting two PXI-H990s, the Road EQ microphone built in the monitor (TMI-M990, sold separately) cannot be used.

# Connections

## • Basic Connections Diagram

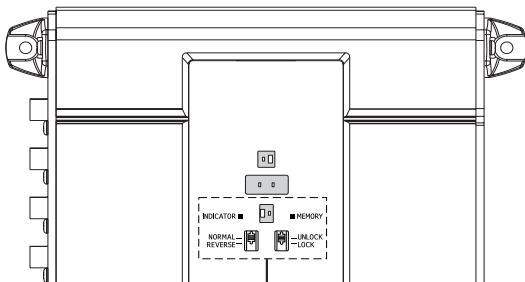
< Top view >




**Memo** Normally the various indicators are lit blue.

- Dolby digital indicator  
Lights red during Dolby Digital decoding.
- DTS indicator  
Lights up red during DTS decoding.
- LPCM indicator  
Lights up red when LPCM (MLP Lossless or CD-DA) input.
- Road EQ Indicator  
Lights up red when Road EQ is ON.

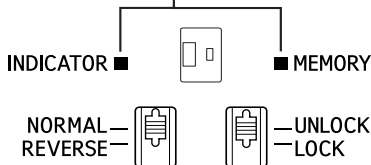
**Memo** Remove the screw marked ★ using the included hexagonal wrench (M3).



< Base section >

DUAL { REAR- FRONT- SINGLE- 

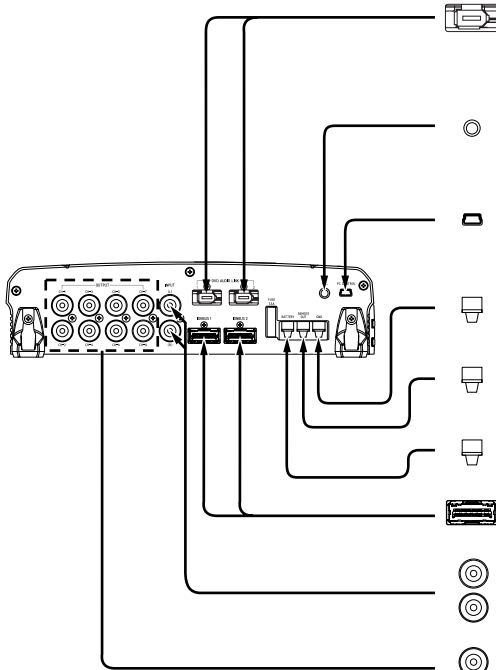
- System switch
- Set to SINGLE when connecting one PXI-H990.
  - When connecting two PXI-H990s, set the first to FRONT, and the second to REAR.



Memory on/off selector switch  
Set this switch to LOCK to prevent your settings and adjustments stored in memory from being erased accidentally.

Indicator change switch  
When using two PXI-H990s, switch to REVERSE for the second processor to match the indicator of the first processor.

< Side Panel >



| Terminal specification   | Connect to:  |
|--|--|
| <ul style="list-style-type: none"> <li>DVD Audio Link terminal<br/>Terminal for DVD audio playback.</li> </ul>   | Connect to the DVD Audio terminal of the DVI-9990 head unit, etc., using the DVD Audio Link cable.                             |
| <ul style="list-style-type: none"> <li>Microphone terminal<br/>Connect microphone.<br/>Connect to the microphone terminal with the supplied microphone terminal connection cable when using the separately sold monitor (TMI-M990) internal Road EQ microphone.</li> </ul> | Connect to the microphone (supplied with the main unit) or the separately sold monitor (TMI-M990) Road EQ microphone terminal. |
| <ul style="list-style-type: none"> <li>USB terminal<br/>Used to make settings and adjustments with a computer. USB cable (mini B type) and computer software are required. For details, contact your store of purchase or an Alpine Information Center.</li> </ul>         | Connect to a computer's USB terminal with a USB cable (mini B type).   |
| <ul style="list-style-type: none"> <li>Ground terminal<br/>Connect securely to a metal part of the vehicle's body using the ground cable.</li> </ul>   | Connect to the vehicle's body using the ground cable.  |
| <ul style="list-style-type: none"> <li>Remote OUT terminal<br/>Connect to the amplifier or other peripheral device.</li> </ul>   | Connect to amplifier.  |
| <ul style="list-style-type: none"> <li>Battery power terminal<br/>Power is supplied constantly to the PXI-H990 regardless of whether the engine key is on or off.</li> </ul>   | Connect to a cable to which power is constantly supplied.  |
| <ul style="list-style-type: none"> <li>IONBUS terminal<br/>Use when connecting with an IONBUS compatible terminal or upgrading the system.</li> </ul>  | Connect to the IONBUS terminal using the IONBUS cable.   |
| <ul style="list-style-type: none"> <li>Audio input terminal (RCA input)<br/>Accepts an audio signal output from videos etc.<br/>Connect using an RCA cable.</li> </ul>   | Connect to any product with an audio output terminal using RCA-type connectors.  |
| <ul style="list-style-type: none"> <li>Audio output terminal (RCA output)<br/>Outputs an audio signal.</li> </ul>  | Connect to amplifier.  |

**Memo**

- Remove the DVD Audio link, IONBUS or USB terminal covers when connecting the DVD Audio Link cable, the IONBUS cable or the USB cable.  
**Leave the covers on when not using the DVD Audio link, IONBUS or USB terminal.**

\* Depending upon the system configuration, the outputs will drive different types of speaker drivers.

|      | When one PXI-H990 is connected |                           |                       | When two PXI-H990s are connected |                |
|------|--------------------------------|---------------------------|-----------------------|----------------------------------|----------------|
|      | SYSTEM1                        | SYSTEM2                   | SYSTEM3               | SYSTEM4 (Front)                  | SYSTEM4 (Rear) |
| CH-1 | Front L TW                     | Front L TW                | Front L* <sup>1</sup> | Front L TW                       | Rear L TW      |
| CH-2 | Front R TW                     | Front R TW                | Front R* <sup>1</sup> | Front R TW                       | Rear R TW      |
| CH-3 | Front L WF* <sup>1</sup>       | Front L MID* <sup>2</sup> | Front C               | Front L MID* <sup>2</sup>        | Rear L WF      |
| CH-4 | Front R WF* <sup>1</sup>       | Front R MID* <sup>2</sup> | Sub WF 1              | Front R MID* <sup>2</sup>        | Rear R WF      |
| CH-5 | Rear L                         | Front L WF* <sup>2</sup>  | Rear L                | Front L WF* <sup>2</sup>         | Rear C TW      |
| CH-6 | Rear R                         | Front R WF* <sup>2</sup>  | Rear R                | Front R WF* <sup>2</sup>         | Rear C WF      |
| CH-7 | Front C                        | Sub WF 1                  | Rear C                | Front C TW                       | Sub WF 1       |
| CH-8 | Sub WF                         | Sub WF 2                  | Sub WF 2              | Front C WF                       | Sub WF 2       |

\*1 There is no OFF setting.

\*2 It is not possible to turn both "MID" and "WF" off.

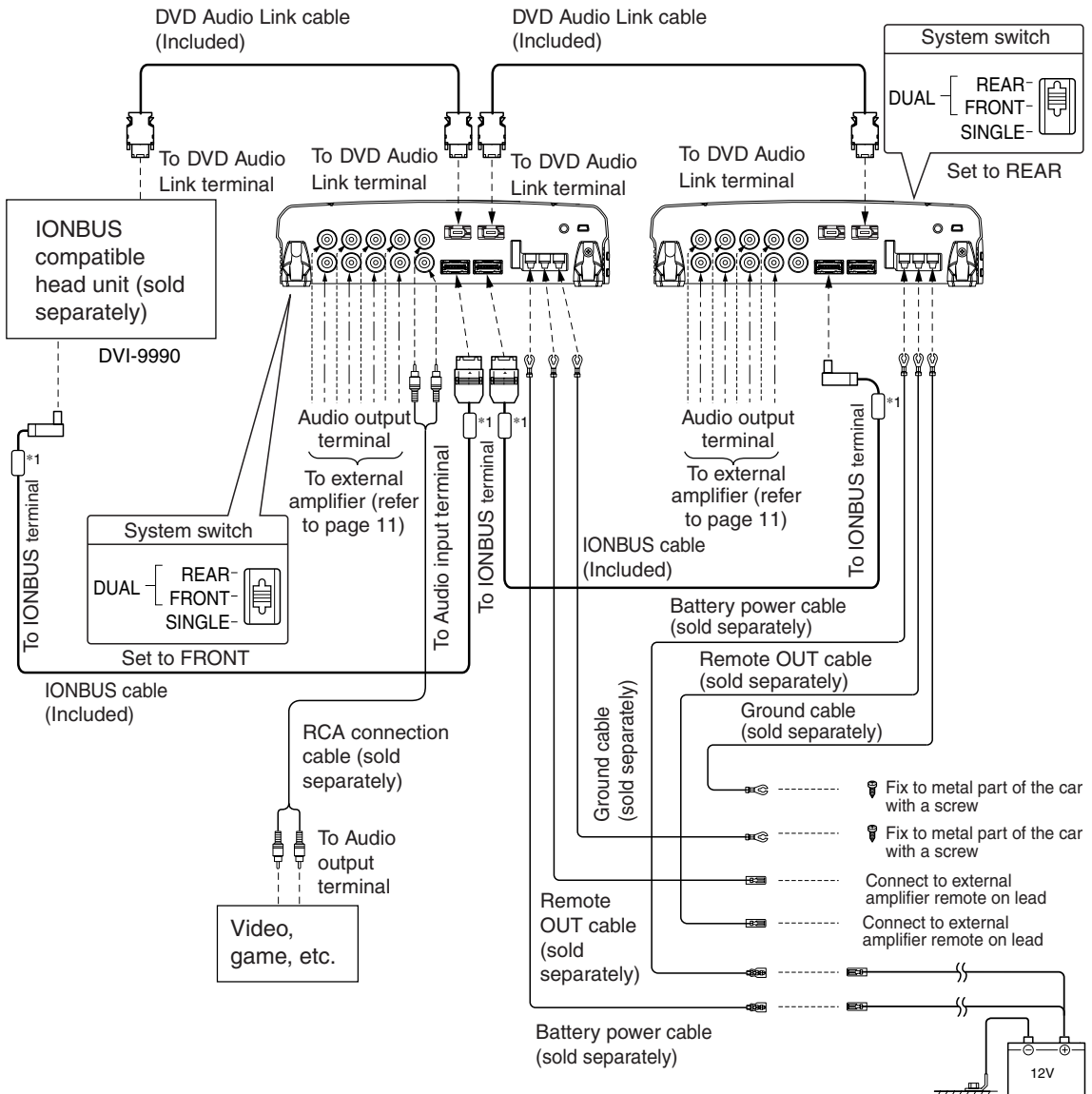
If one is set to "OFF", the other cannot be set to "OFF".

**Memo**

- It is necessary to change the setting corresponding with the speaker (system). (See "Setting the speakers" on the Owner's Manual)
- Do not connect the tweeter (TW) to the channel without "TW" indicated in the table above. If connected, the speaker may be damaged.
- For SYSTEM 1, REAR TW cannot be connected.
- For SYSTEM 3, FRONT TW and REAR TW cannot be connected.

# Examples of system expansion

## • PXI-H990 + DVI-9990 Head Unit + External Amplifier + Video etc.

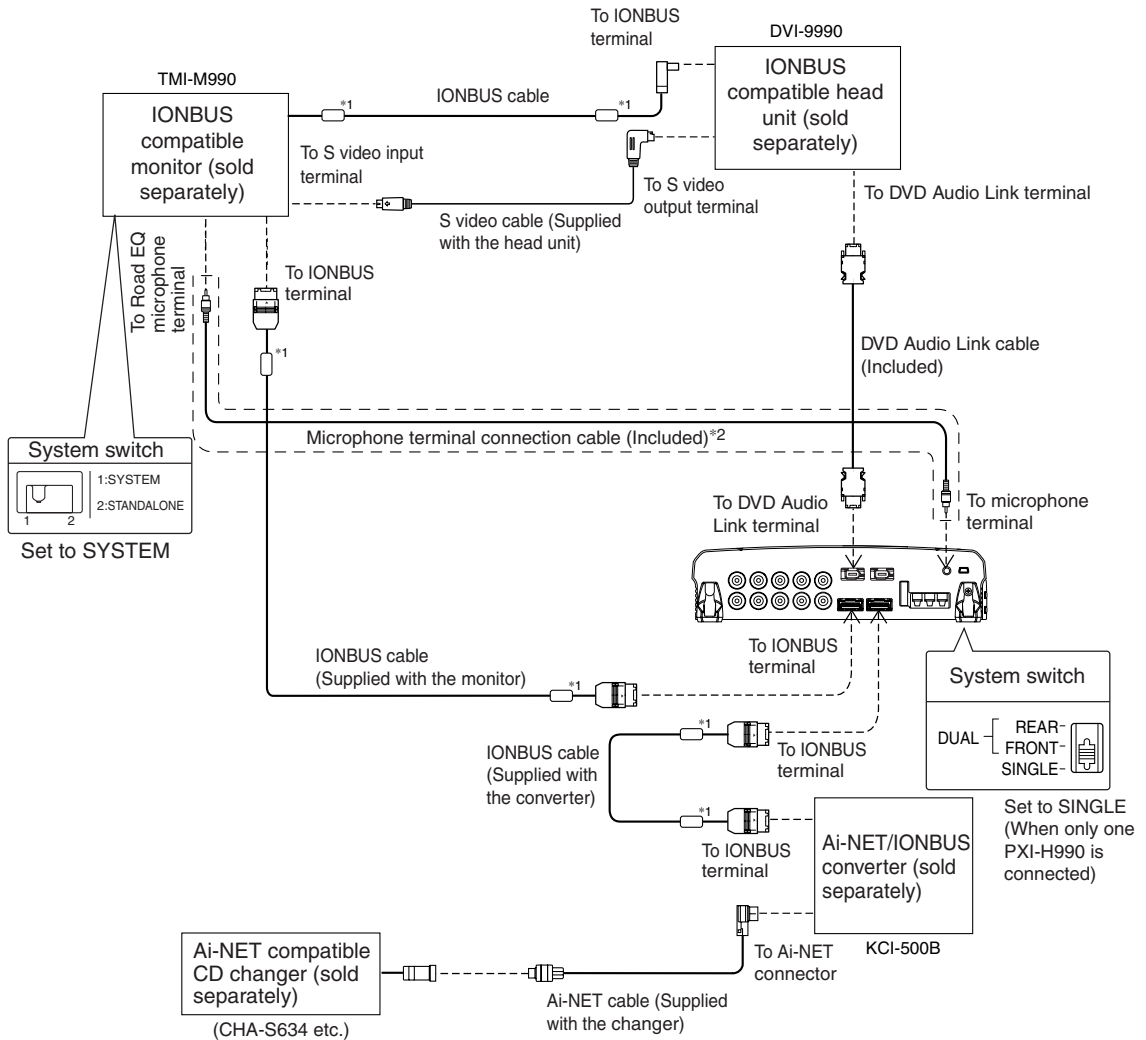


\*1 Ferrite Core (See page 6)

### NOTE

- When connecting the Battery power cable direct to the battery terminal, a fuse at the battery should be used to protect your equipment. Please consult with your Alpine dealer for the proper fuse value.

• **PXI-H990 + DVI-9990 Head Unit + TMI-M990 Monitor + Ai-NET compatible Changer Connected**



\*1 Ferrite Core (See page 6).

Two pieces are attached to PXI-H990, TMI-M990, KCI-500B.

\*2 Only connected when using the TMI-M990 internal Road EQ microphone. Otherwise connect with the microphone (Included).

- IONBUS compatible products can be connected in any order. The connection order shown above is an example.
- When an Ai-NET compatible changer is not connected, then the KCI-500B does not need to be connected.
- For details about connections, refer to the instruction manual of the product you are connecting with.







## Free Manuals Download Website

<http://myh66.com>

<http://usermanuals.us>

<http://www.somanuals.com>

<http://www.4manuals.cc>

<http://www.manual-lib.com>

<http://www.404manual.com>

<http://www.luxmanual.com>

<http://aubethermostatmanual.com>

Golf course search by state

<http://golfingnear.com>

Email search by domain

<http://emailbydomain.com>

Auto manuals search

<http://auto.somanuals.com>

TV manuals search

<http://tv.somanuals.com>