

# 15" / 19" Digital Photo Frame Instructional Manual





## Table of Contents

Important Safety Precautions .....	04
Cleaning Your Digital Photo Frame .....	05
Replacing the Remote Control Battery .....	06
Remote Control Close-up .....	07
Frame Highlights (15") .....	08
Frame Highlights (19") .....	09
Package Contents .....	10
Getting Started .....	10
Operating Instructions .....	11
Card Selection .....	12
Photos .....	13
Music .....	16
Video .....	18
File Management .....	20
Calendar .....	21
Technical Support .....	24
Radio and TV Interference Statement .....	25
Warranty .....	26

## Important Safety Precautions

Always follow the basic safety precautions when using your Digital Photo Frame. This will reduce the risk of fire, electric shock and injury.

Warning: To prevent the risk of fire or shock hazard, do not expose this product to moisture

Warning: To prevent the risk of electrical shock, do not remove the cover.

- The Digital Photo Frame is for indoor use only
- Unplug the Digital Photo Frame before performing care and maintenance
- Keep your Digital Picture Frame out of direct sunlight or a heat source
- Protect the power cord. Route power cords so that they are not likely to be walked on or pinched by items placed on or against them. Pay particular attention to the point where the cord attaches to the Digital Photo Frame
- Only use the AC adapter included with the Digital Photo Frame. Using any other power adapter will void your warranty

## Cleaning Your Digital Photo Frame

### Cleaning the LCD Screen:

- To clean fingerprints or dust from the LCD screen, it is recommended to use a soft, non-abrasive cloth such as a camera lens cloth
- If you use a commercial LCD cleaning kit, do not apply the cleaning liquid directly to the LCD screen. Clean the LCD screen with cloth moistened from the liquid

### Cleaning the Frame:

- Clean the outer surface of the frame (excluding the screen) with a soft cloth dampened with water

## Replacing the Remote Control Battery

If the remote control stops working or works improperly, replace the battery (CR2025 lithium battery) with a new one

1. Pull out the battery holder
2. Remove the old battery from the holder and then put a new battery with “ + ” facing up
3. Insert the battery holder back to the remote control

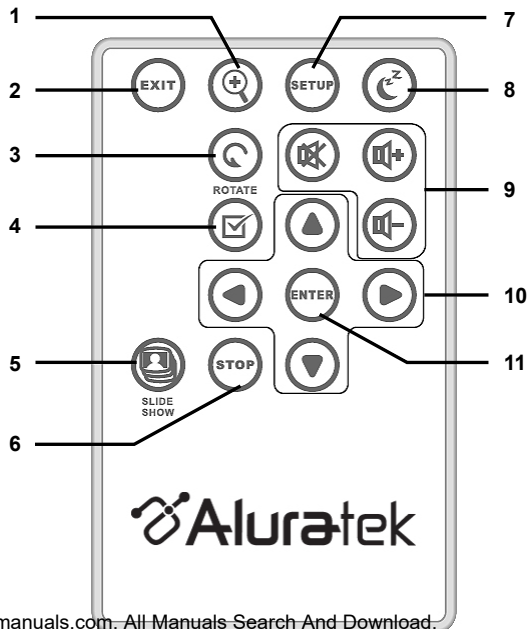
Warning: Battery may explode if mistreated. Do not recharge, disassemble or dispose of in a fire

Note:

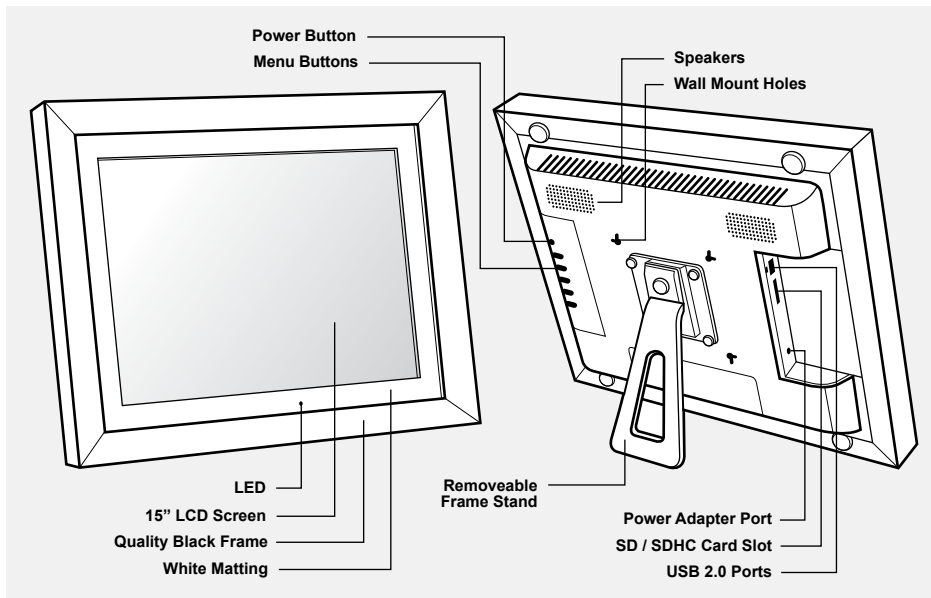
- When the battery becomes weak, the operating distance of the remote may shorten or function improperly. If this is the case, please replace the battery (CR2025 lithium battery). Use of any other battery may present a risk of fire or explosion
- Dispose the used batteries as specified by local authorities
- Do not leave remote in a hot and humid place
- Incorrect use of the battery may cause leaking and corrosion

## Remote Control Close-Up

1. Zoom IN
2. Exit
3. Rotate
4. Select
5. Slideshow
6. Stop
7. Setup
8. Power
9. Volume Control
10. Directional Control
11. Enter

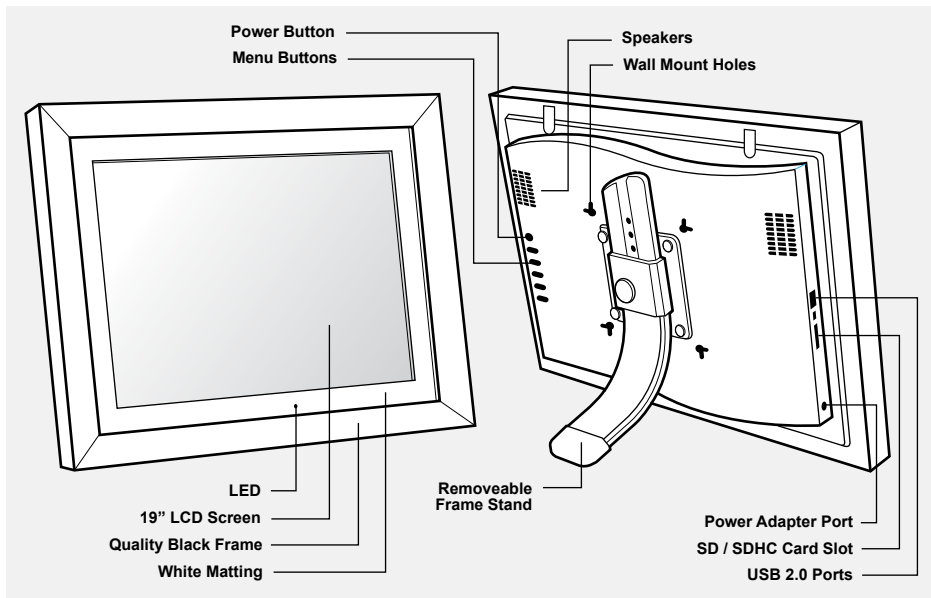


## Frame Highlights - 15" (ADMPF315F)





## Frame Highlights - 19" (ADMPF119)



## Package Contents

Your order has been carefully packaged and inspected. The following should be included in your package. Please inspect the contents of the package to ensure that you have received all items and that nothing has been damaged. If you discover a problem, please contact us immediately for assistance.

- Digital Photo Frame
- Remote Control
- USB 2.0 Cable (Type A to mini-B)
- Power Adapter
- Instructional Manual
- Warranty / Registration Card

## Getting Started

- Remove the protective film covering the LCD.
- Remove the plastic insulator from the battery on the remote control.

## Operating Instructions

- Plug in the power adapter then turn on the power switch. Slideshow will start automatically after 2 seconds if there is picture in the internal memory.
- Press Exit on the remote or frame, you will see the below screen. There are 6 options: *Internal Memory, Photo, Music, Video, File, and Time.*

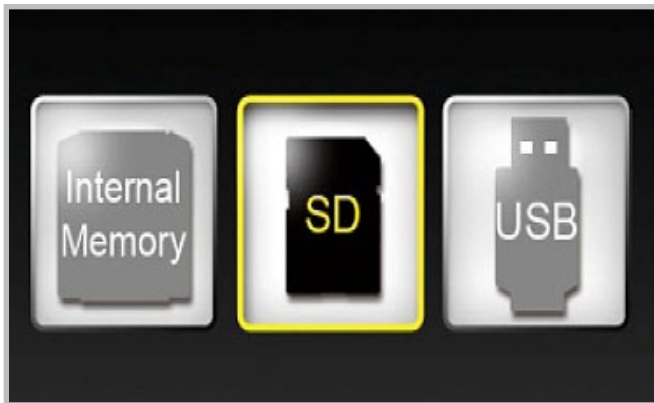


Download from [Www.Somanuals.com](http://www.Somanuals.com). All Manuals Search And Download.

## Operating Instructions

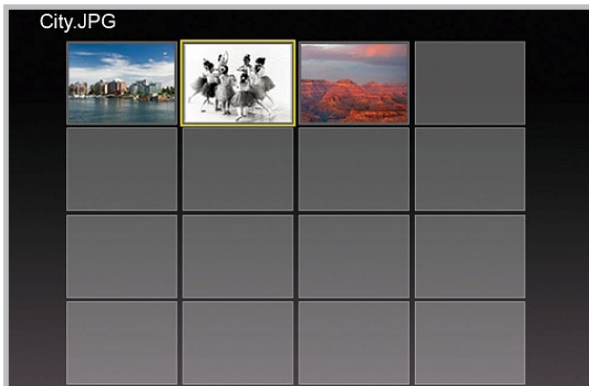
### Card Selection

In Card selection, the selected memory medium will be highlighted as shown below. You can switch between different memory mediums by using the Left/Right buttons. Press the “Enter” button to confirm.



### Photo

In thumbnail view, by pressing the Setup button in photo mode, you will see the following options: File Sorting, Copy Photo (from memory card to internal memory), Delete Photo (from internal memory), Factory Default, Select Card, Display Image Size, Slideshow Transition, Slideshow Speed, ArcSoft Screen Effect, and Adjust LCD Color.



### Photo

File Sorting: You can sort the list by Date (Newest First), Date (Oldest First) or Name

Copy Photo: You can copy photo from memory card to the internal memory. This option is only available if you are viewing the content of a memory card.

Delete Photo: You can delete photo from the internal memory. This option is only available if you are viewing the content of the internal memory.

Factory Default: Reset all photo settings to factory default.

Select Card: To view content from a different memory medium

Display Image Size: You can set the image size to Original or Optimal

Slideshow Transition: You can set the slideshow transition to Random, Fade, Curtain, Open\_Door, and Cross\_Comb.

Slideshow Speed: You can set the slideshow speed to Fast, Medium or Slow.

ArcSoft Screen Effect: You can set the effect of Dynamic Lighting, Face Beautiful and Face Tracking.

Adjust LCD Color: You can adjust the Brightness, Contrast, Color and Tint of the display

In thumbnail view, by pressing the Zoom or Enter button, it will display the single photo. Then,

- Press Enter to start or pause the slideshow
- Press Zoom to zoom in on the image
- Press Rotate to rotate the image 90° counterclockwise


In thumbnail view, press the “Select” button to select or unselect the images, the selected images can be copied or deleted at once.

## Operating Instructions

### Music

In music mode, slideshow plays while the music is playing.

Press the Setup button to see the following options: File Sorting, Copy Music (memory card to internal memory), Delete Music (from internal memory), Factory Default, Select Card, Music Repeat Mode and Set As Alarm Music.

To show the music file list, select the  icon and press Enter





File Sorting: You can sort the list by Date (Newest First), Date (Oldest First) or Name

Copy Music: You can copy music from memory card to the internal memory. This option is only available if you are viewing the content of a memory card.

Delete Music: You can delete music from the internal memory. This option is only available if you are viewing the content of the internal memory.

Factory Default: Reset all Music settings to factory default.

Select Card: To view content from a different memory medium

Music Repeat Mode: You can set the play mode as Repeat Single, Repeat All, or No Repeat.

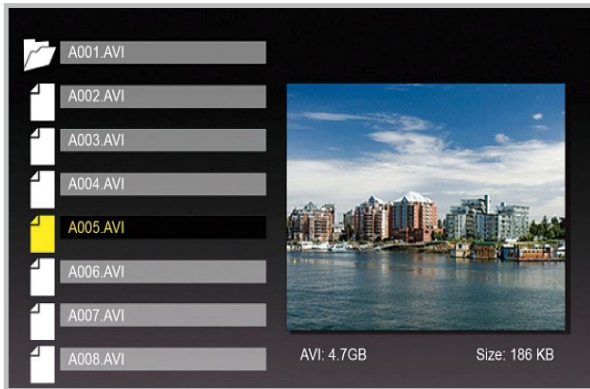
Set As Alarm Music: You can set a particular music file as your alarm tone.

## Operating Instructions

### Video

In Video mode, select the desired file and press “Enter” to play the video. During playback, press the “Right” button to fast forward, “Left” button to rewind, “Up” button to play the last video and “Down” button to play the next video.

In the file list menu, press the “Setup” button to see the following options: File Sorting, Copy Movie (memory card to internal memory), Delete Movie (internal memory), Factory Default, Select Card, and Video Repeat Mode.



File Sorting: You can sort the list by Date (Newest First), Date (Oldest First) or Name

Copy Movie: You can copy video from memory card to the internal memory. This option is only available if you are viewing the content of a memory card.

Delete Movie: You can delete video from the internal memory. This option is only available if you are viewing the content of the internal memory.

Factory Default: Reset all Video settings to factory default.

Select Card: To view content from a different memory medium

Video Repeat Mode: You can set the play mode as Repeat Single, Repeat All, or No Repeat.

### File Management

In File Management, the file list is shown on the left side of screen and the image preview will be shown on the right side of the screen. For video and music files, only the file information will be shown on the right.

Press “Enter” on video/music files to play the video/music. Press “Enter” on image files to view the image on full screen; press “Enter” again to start the slideshow.

Press “Select” to select the files.

Pressing the Setup button, you will see the following options: Copy Files (memory card to internal memory), Delete Files (internal memory), Factory Default, and Select Card.

## Operating Instructions

### Calendar

Press the Setup button to setup alarm, clock and date, as shown below.



### Calendar

#### How to set the time:

1. Press “Enter” in the first block after “Clock”. Set the hour in 24hr format and press “Enter” to confirm
2. Press “Enter” in the second block. Set the minute and press “Enter” to confirm

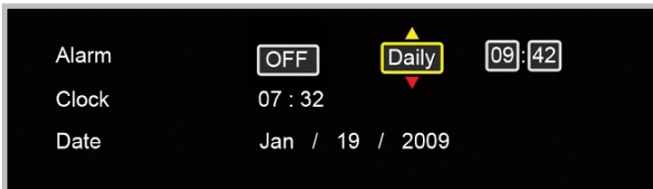
#### How to set the date:

1. Press “Enter” in the first block after “Date”. Set the month and press “Enter” to confirm.
2. Press “Enter” in the second block. Set the date and press “Enter” to confirm.
3. Press “Enter” in the third block. Set the year and press “Enter” to confirm.

## Calendar Function

### How to set an alarm:

1. Press “Enter” in the first block and select the desired ring interval of 3, 5, or 10 minutes and press “Enter” to confirm.
2. Press “Enter” in the second block. Set the alarm to once or daily and press “Enter” to confirm.
3. Press “Enter” in the third and fourth block. Set the alarm time in 24hr format and press “Enter” to confirm
4. Press “Enter” in the last block. Set the alarm volume and press “Enter” to confirm



## Technical Support

If you need further assistance, please contact Aluratek support department prior to returning this device.

E-mail: **support@aluratek.com**

Web: **www.aluratek.com/support**

Local (Tustin, CA): **714-586-8730**

Toll free: **1-866-580-1978**



## Radio and TV Interference Statement

**WARNING!!!** This equipment has been tested and found to comply with the limits of a Class B digital device, pursuant to part 15 of the FCC rules. These limits are designed to provide reasonable protection against harmful interference in a residential installation

This equipment generates, uses and can radiate radio frequency energy and, if not installed and used in accordance with the instruction, may cause harmful interference to radio communications. However, there is no guarantee that interference will not occur in a particular installation. If this equipment does cause harmful interference to radio or television reception, which can be determined by turning the equipment off and on, the user is encouraged to try to correct the interference by whatever measures may be required to correct the interference.

## Warranty

Aluratek warrants this product against defect in material or workmanship for **120 Days** from the date of purchase.

This warranty becomes invalid if the factory-supplied serial number or “warranty void” sticker has been removed or altered on the product.

This warranty does not cover:

- A) Cosmetic damage or damage due to acts of God
- B) Accident, misuse, abuse, negligence or modification of any part of the product.
- C) Damage due to improper operation or maintenance, connection to improper equipment, or attempted repair by anyone other than Aluratek.
- D) Products sold AS IS or WITH FAULTS.

IN NO EVENT SHALL ALURATEK'S LIABILITY EXCEED THE PRICE PAID FOR THE PRODUCT FROM DIRECT, INDIRECT, SPECIAL, INCIDENTAL, OR CONSEQUENTIAL DAMAGES RESULTING FROM THE USE OF THE PRODUCT, IT'S ACCOMPANYING SOFTWARE, OR IT'S DOCUMENTATION.

Aluratek makes no warranty or representation, expressed, implied, or statutory, with respect to it's products, contents or use of this documentation and all accompanying software, and specifically disclaims it's quality, performance, merchantability, or fitness for any particular purpose. Aluratek reserves the right to revise or update it's product, software or documentation without obligation to notify any individual or entity.





aluratek.com

## Free Manuals Download Website

<http://myh66.com>

<http://usermanuals.us>

<http://www.somanuals.com>

<http://www.4manuals.cc>

<http://www.manual-lib.com>

<http://www.404manual.com>

<http://www.luxmanual.com>

<http://aubethermostatmanual.com>

Golf course search by state

<http://golfingnear.com>

Email search by domain

<http://emailbydomain.com>

Auto manuals search

<http://auto.somanuals.com>

TV manuals search

<http://tv.somanuals.com>