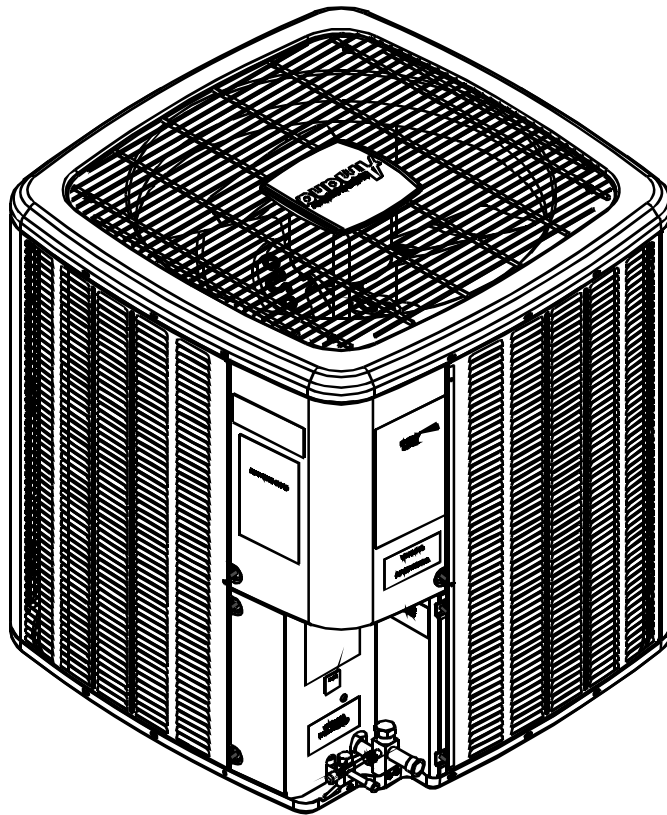




TECHNICAL MANUAL


ASX 14 SEER Condensing Units

- Refer to Service Manual RS6200006 for installation, operation, and troubleshooting information.
- All safety information must be followed as provided in the Service Manual.
- Refer to the appropriate Parts Catalog for part number information.
- Models listed on page 3.



This manual is to be used by qualified, professionally trained HVAC technicians only. Goodman does not assume any responsibility for property damage or personal injury due to improper service procedures or services performed by an unqualified person.

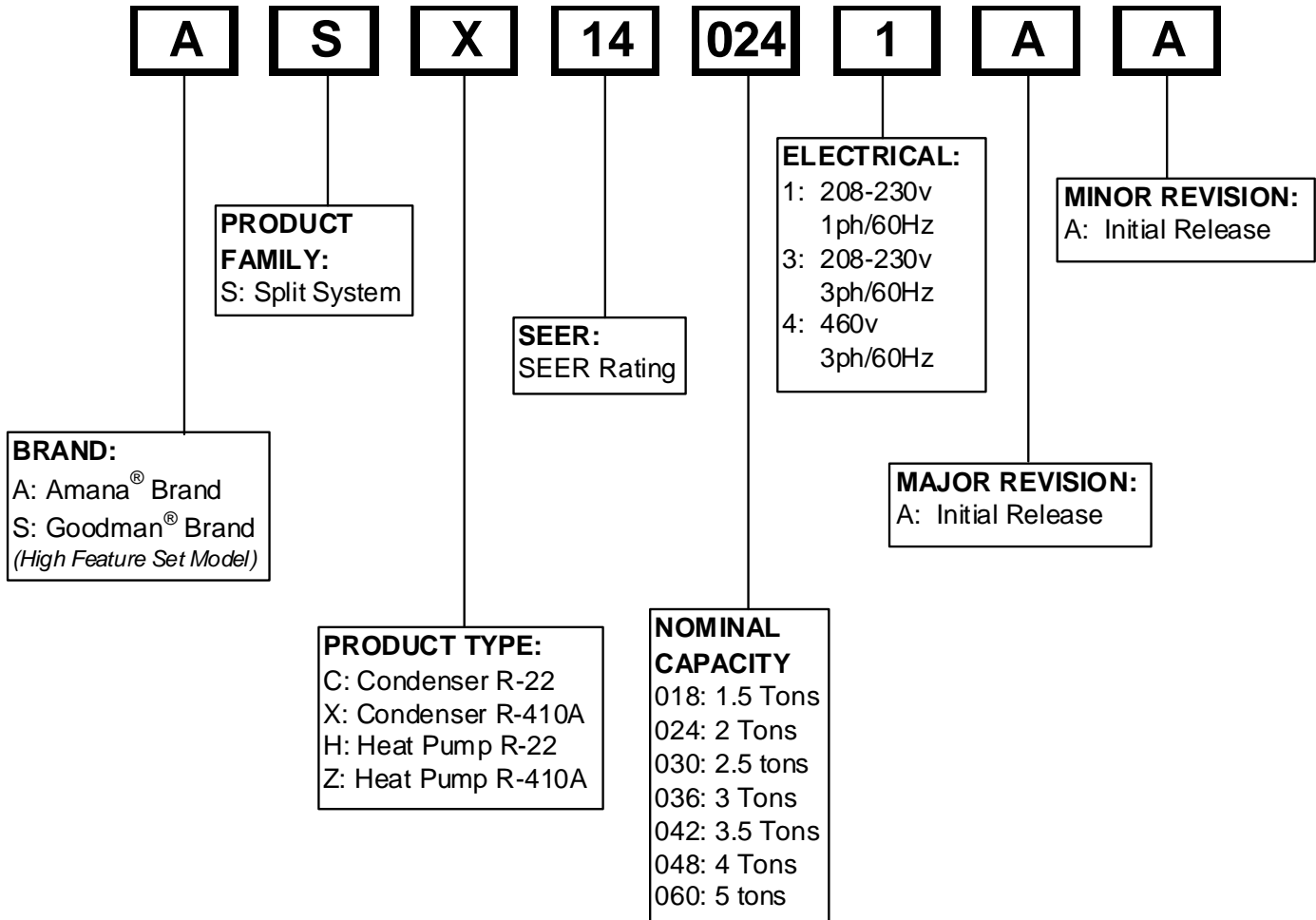
RT6113004r10
October 2011

 is a registered trademark of Maytag Corporation or its related companies and is used under license to Goodman Company, L.P., Houston, TX. All rights reserved.

Copyright © 2006-2011 Goodman Company, L.P.

PRODUCT IDENTIFICATION

The model number is used for positive identification of component parts used in manufacturing. Please use this number when requesting service or parts information.



WARNING

HIGH VOLTAGE!

Disconnect ALL power before servicing or installing this unit. Multiple power sources may be present. Failure to do so may cause property damage, personal injury or death.

WARNING

Goodman will not be responsible for any injury or property damage arising from improper service or service procedures. If you install or perform service on this unit, you assume responsibility for any personal injury or property damage which may result. Many jurisdictions require a license to install or service heating and air conditioning equipment.

WARNING

Installation and repair of this unit should be performed **ONLY** by individuals meeting (at a minimum) the requirements of an "entry level technician", at a minimum, as specified by the Air-Conditioning, Heating, and Refrigeration Institute (AHRI). Attempting to install or repair this unit without such background may result in product damage, personal injury or death.

PRODUCT IDENTIFICATION

The model number is used for positive identification of component parts used in manufacturing. Please use this number when requesting service or parts information.

ASX140181A*	ASX140181C*
ASX140241A*	ASX140241C*
ASX140301A*	ASX140301C*
ASX140361A*	ASX140361C*
ASX140421A*	ASX140421C*
ASX140481A*	ASX140481C*
ASX140601A*	
	ASX140181D*
ASX140181B*	ASX140421D*
ASX140241B*	
ASX140301B*	
ASX140361B*	
ASX140421B*	
ASX140481B*	
ASX140601B	

** Indicates minor revision & is not used for order entry or inventory management*



The United States Environmental Protection Agency ("EPA") has issued various regulations regarding the introduction and disposal of refrigerants introduced into this unit. Failure to follow these regulations may harm the environment and can lead to the imposition of substantial fines. These regulations may vary by jurisdiction. Should questions arise, contact your local EPA office.



Do not connect or use any device that is not design certified by Goodman for use with this unit. Serious property damage, personal injury, reduced unit performance and/or hazardous conditions may result from the use of such non-approved devices.



To prevent the risk of property damage, personal injury, or death, do not store combustible materials or use gasoline or other flammable liquids or vapors in the vicinity of this appliance.

PRODUCT DESIGN

ASX14 models are available in 1 1/2 through 5 ton sizes and use R-410A refrigerant. They are designed for 208/230 volt single phase applications.

The condenser air is pulled through the condenser coil by a direct drive propeller fan. This condenser air is then discharged out of the top of the cabinet.

These units are designed for free air discharge, so no additional resistance like duct work shall be attached.

The suction and liquid line connections on present models are of the sweat type for field piping with refrigerant type copper. Front seating valves are factory installed to accept the field run copper. The total refrigerant charge for a normal installation is factory installed in the condensing unit. ASX units are charged for the matching evaporator coil and a 15 foot refrigerant line set.

Systems should be properly sized by heat gain and loss calculations made according to methods of the Air Conditioning Contractors Association (ACCA) or equivalent. It is the contractors responsibility to ensure the system has adequate capacity to heat or cool the conditioned space.

ASX models use the Copeland Scroll "Ultratech" Series compressors which are specifically designed for R-410A refrigerant. There are a number of design characteristics which are different from the traditional reciprocating and/or scroll compressors.

"Ultratech" Series scroll compressors will not have a discharge thermostat, some of the early model scroll compressors required discharge thermostats.

Due to their design Scroll compressors are inherently more tolerant of small quantities of liquid refrigerant.

NOTE: Even though the compressor section of a Scroll compressor is more tolerant of liquid refrigerant, continued floodback or flooded start conditions may wash oil from the bearing surfaces causing premature bearing failure.

"Ultratech" Series scroll compressors use "POE" or polyolester oil which is **NOT** compatible with mineral oil based lubricants like 3GS. "POE" oil must be used if additional oil is required.

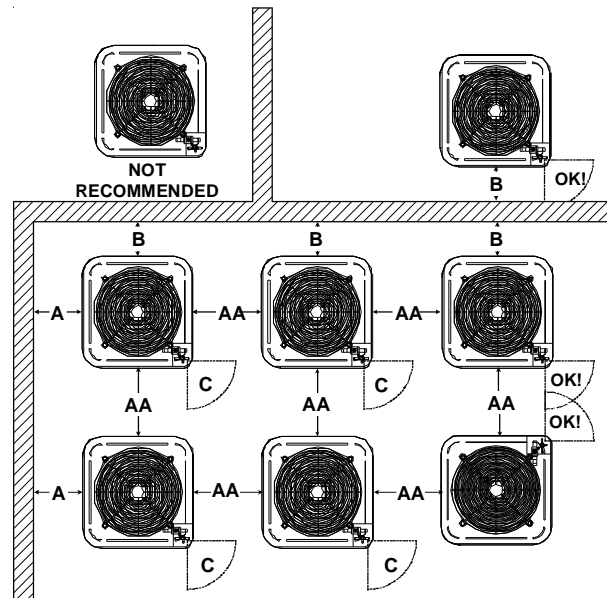
Operating pressures and amp draws may differ from standard reciprocating and/or scroll compressors. This information may be found in the "Cooling Performance Data" section.

completely unobstructed; however, if vertical conditions require placement beneath an obstruction **there should be a minimum of 60 inches between the top of the unit and the obstruction(s)**. The specified dimensions meet requirements for air circulation only. Consult all appropriate regulatory codes prior to determining final clearances.

Another important consideration in selecting a location for the unit(s) is the angle to obstructions. Either side adjacent the valves can be placed toward the structure provided the side away from the structure maintains minimum service clearance. Corner installations are strongly discouraged.

DO NOT locate the unit:

- Directly under a vent termination for a gas appliance.
- Within 3 feet of a clothes dryer vent.
- Where the refreezing of defrost water would create a hazard.
- Where water may rise into the unit.



Minimum Airflow Clearance				
Model Type	A	B	C	AA
Residential	10"	10"	18"	20"
Light Commercial	12"	12"	18"	24"



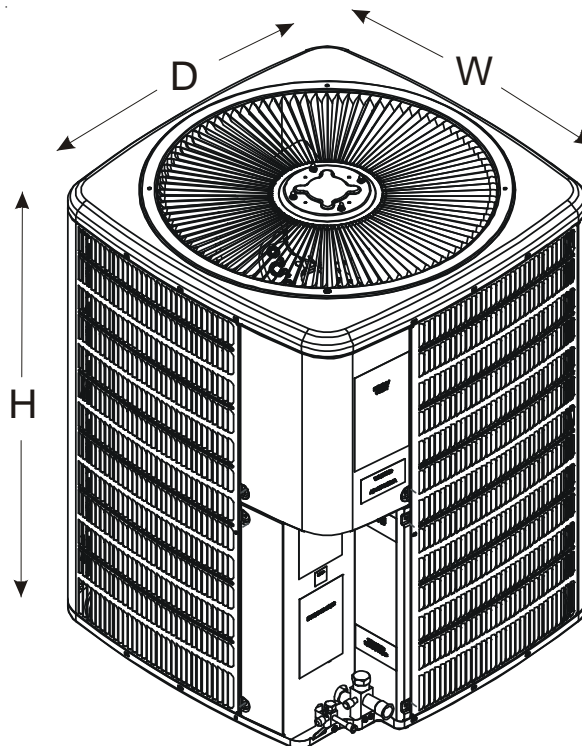
WARNING

To avoid possible injury, explosion or death, practice safe handling of refrigerants.

Special consideration must be given to location of the condensing unit(s) in regard to structures, obstructions, other units, and any/all other factors that may interfere with air circulation. Where possible, the top of the unit should be

PRODUCT DESIGN

DIMENSIONS



Model	Dimensions - W x D x H
ASX140181A*	26" x 26" x 32¼"
ASX140181B*	26" x 26" x 27½"
ASX140181C*	
ASX140181D*	
ASX140241A*	
ASX140241B*	26" x 26" x 32½"
ASX140241C*	
ASX140301A*	29" x 29" x 32¼"
ASX140301B*	29" x 29" x 32½"
ASX140301C*	

Model	Dimensions - W x D x H
ASX140361A*	29" x 29" x 34¼"
ASX140361B*	29" x 29" x 32½"
ASX140361C*	
ASX140421A*	35½" x 35½" x 38¼"
ASX140421B*	29" x 29" x 38¼"
ASX140421C*	29" x 29" x 36¼"
ASX140421D*	
ASX140481A*	35½" x 35½" x 38¼"
ASX140481B*	
ASX140481C*	35½" x 35½" x 36¼"
ASX140601A*	35½" x 35½" x 38¼"
ASX140601B*	

CONDENSING UNIT SPECIFICATIONS

ASX140181A* - ASX140361A*

	ASX140181A*	ASX140241A*	ASX140301A*	ASX140361A*
Cooling Capacity, BTUH	18,000	24,000	30,000	36,000
Compressor				
R.L. Amps	9.00	13.4	12.8	14.1
L.R. Amps	48.0	58.3	64.0	77.0
Low Pressure Switch				
Open	22 PSIG	22 PSIG	22 PSIG	22 PSIG
Close	50 PSIG	50 PSIG	50 PSIG	50 PSIG
High Pressure Switch				
Open	610 PSIG	610 PSIG	610 PSIG	610 PSIG
Close	420 PSIG	420 PSIG	420 PSIG	420 PSIG
Condenser Fan Motor				
Horsepower	1/12	1/12	1/6	1/4
F.L. Amps	0.6	0.6	1.5	1.6
Liquid Line, Inches O.D.*	3/8"	3/8"	3/8"	3/8"
Suction Line, Inches O.D.*	3/4"	3/4"	3/4"	7/8"
Refrigerant Charge	121.0	126.0	131.0	146.0
Power Supply	208/230-60-1	208/230-60-1	208/230-60-1	208/230-60-1
Minimum Circuit Ampacity ⁽¹⁾	11.8	17.4	17.5	19.2
Maximum Overcurrent Device ⁽²⁾	20	30	30	30
Electrical Conduit Size				
Power Supply (Inches)	1/2 or 3/4	1/2 or 3/4	1/2 or 3/4	1/2 or 3/4
Approximate Shipping Weight	178	178	195	199

ASX140421A* - ASX140[48-60]1A* / ASX140[48-60]1B*

	ASX140421A*	ASX140481 AA/AB/AC	ASX140481 AD/B*	ASX140601A* ASX140601B*
Cooling Capacity, BTUH	42,000	48,000	48,000	60,000
Compressor				
R.L. Amps	17.9	19.8	19.8	26.4
L.R. Amps	112.0	109.0	109.0	134.0
Low Pressure Switch				
Open	22 PSIG	22 PSIG	22 PSIG	22 PSIG
Close	50 PSIG	50 PSIG	50 PSIG	50 PSIG
High Pressure Switch				
Open	610 PSIG	610 PSIG	610 PSIG	610 PSIG
Close	420 PSIG	420 PSIG	420 PSIG	420 PSIG
Condenser Fan Motor				
Horsepower	1/4	1/4	1/4	1/4
F.L. Amps	1.6	1.6	1.6	1.6
Liquid Line, Inches O.D.*	3/8"	3/8"	3/8"	3/8"
Suction Line, Inches O.D.*	7/8"	7/8"	7/8"	7/8"
Refrigerant Charge	180.0	186.0	189.0	271.0
Power Supply	208/230-60-1	208/230-60-1	208/230-60-1	208/230-60-1
Minimum Circuit Ampacity ⁽¹⁾	24.0	26.4	26.4	34.6
Maximum Overcurrent Device ⁽²⁾	40	40	40	60
Electrical Conduit Size				
Power Supply (Inches)	1/2 or 3/4	1/2 or 3/4	1/2 or 3/4	1/2 or 3/4
Approximate Shipping Weight	207	242	242	280

* Up to 24' in equivalent line length

⁽¹⁾ Wire size should be determined in accordance with National Electrical Codes; extensive wire runs will require larger wire sizes.

⁽²⁾ Maximum Overcurrent Protection Device: **MUST** use Time Delay Fuses or HACR type Circuit Breaker of the same size as noted.

NOTE: This data is provided as a guide, it is important to electrically connect the unit and properly size fuses/circuit breakers and wires in accordance with all national and/or local electrical codes. Use copper wire only.

CONDENSING UNIT SPECIFICATIONS

ASX140181B* - ASX140361B* / ASX140181C* - ASX140361C*

	ASX140181B* ASX140181C*	ASX140241B* ASX140241C*	ASX140301B* ASX140301C*	ASX140361B* ASX140361C*
Cooling Capacity, BTUH	18,000	24,000	28,800	34,600
Compressor				
R.L. Amps	9.00	13.5	12.8	14.1
L.R. Amps	48.0	58.3	64.0	77.0
Low Pressure Switch				
Open	22 PSIG	22 PSIG	22 PSIG	22 PSIG
Close	50 PSIG	50 PSIG	50 PSIG	50 PSIG
High Pressure Switch				
Open	610 PSIG	610 PSIG	610 PSIG	610 PSIG
Close	420 PSIG	420 PSIG	420 PSIG	420 PSIG
Condenser Fan Motor				
Horsepower	1/6	1/12	1/6	1/6
F.L. Amps	0.9	0.6	0.9	0.9
Liquid Line, Inches O.D.*	3/8"	3/8"	3/8"	3/8"
Suction Line, Inches O.D.*	3/4"	3/4"	3/4"	7/8"
Refrigerant Charge	73.0	91.0	96.0	101.0
Power Supply	208/230-60-1	208/230-60-1	208/230-60-1	208/230-60-1
Minimum Circuit Ampacity ⁽¹⁾	12.2	17.5	16.9	18.5
Maximum Overcurrent Device ⁽²⁾	20	30	30	30
Electrical Conduit Size				
Power Supply (Inches)	1/2 or 3/4	1/2 or 3/4	1/2 or 3/4	1/2 or 3/4
Approximate Shipping Weight	146	156	172	172

ASX140421B* - ASX140421C* / ASX140481C*

	ASX140421B*	ASX140421C*	ASX140481C*
Cooling Capacity, BTUH	40,000	40,000	46,000
Compressor			
R.L. Amps	17.9	16.7	19.9
L.R. Amps	112.0	79.0	109.0
Low Pressure Switch			
Open	22 PSIG	22 PSIG	22 PSIG
Close	50 PSIG	50 PSIG	50 PSIG
High Pressure Switch			
Open	610 PSIG	610 PSIG	610 PSIG
Close	420 PSIG	420 PSIG	420 PSIG
Condenser Fan Motor			
Horsepower	1/6	1/6	1/4
F.L. Amps	1.0	0.9	1.5
Liquid Line, Inches O.D.*	3/8"	3/8"	3/8"
Suction Line, Inches O.D.*	7/8"	7/8"	7/8"
Refrigerant Charge	167.0	140.0	147.0
Power Supply	208/230-60-1	208/230-60-1	208/230-60-1
Minimum Circuit Ampacity ⁽¹⁾	23.4	21.8	26.4
Maximum Overcurrent Device ⁽²⁾	40	35	45
Electrical Conduit Size			
Power Supply (Inches)	1/2 or 3/4	1/2 or 3/4	1/2 or 3/4
Approximate Shipping Weight	207	184	230

* Up to 24' in equivalent line length
⁽¹⁾ Wire size should be determined in accordance with National Electrical Codes; extensive wire runs will require larger wire sizes.
⁽²⁾ Maximum Overcurrent Protection Device: **MUST** use Time Delay Fuses or HACR type Circuit Breaker of the same size as noted.

NOTE: This data is provided as a guide, it is important to electrically connect the unit and properly size fuses/ circuit breakers and wires in accordance with all national and/or local electrical codes. Use copper wire only.

CONDENSING UNIT SPECIFICATIONS

ASX140181D* / ASX140421D*

	ASX140181D*	ASX140421D*
Cooling Capacity, BTUH	18,000	40,000
Compressor		
R.L. Amps	9.00	16.7
L.R. Amps	48.0	79.0
Low Pressure Switch		
Open	N/A	22 PSIG
Close	N/A	50 PSIG
High Pressure Switch		
Open	610 PSIG	610 PSIG
Close	420 PSIG	420 PSIG
Condenser Fan Motor		
Horsepower	1/8	1/6
F.L. Amps	0.7	0.9
Liquid Line, Inches O.D.*	3/8"	3/8"
Suction Line, Inches O.D.*	3/4"	7/8"
Refrigerant Charge	73.0	140.0
Power Supply	208/230-60-1	208/230-60-1
Minimum Circuit Ampacity ⁽¹⁾	12	21.8
Maximum Overcurrent Device ⁽²⁾	20	35
Electrical Conduit Size		
Power Supply (Inches)	1/2 or 3/4	1/2 or 3/4
Approximate Shipping Weight	146	184

* Up to 24' in equivalent line length

⁽¹⁾ Wire size should be determined in accordance with National Electrical Codes; extensive wire runs will require larger wire sizes.

⁽²⁾ Maximum Overcurrent Protection Device: **MUST** use Time Delay Fuses or HACR type Circuit Breaker of the same size as noted.

NOTE: This data is provided as a guide, it is important to electrically connect the unit and properly size fuses/ circuit breakers and wires in accordance with all national and/or local electrical codes. Use copper wire only.

COOLING PERFORMANCE DATA

ASX140181A*

EXPANDED PERFORMANCE DATA

COOLING OPERATION

MODEL: ASX140181A* / CA*F3131B6A* + TXV

IDB*	Airflow	Outdoor Ambient Temperature																								
		65				75				85				95				105				115				
		59	63	67	71	59	63	67	71	59	63	67	71	59	63	67	71	59	63	67	71	59	63	67	71	
70	676	MBh	17.6	18.3	20.0	-	17.2	17.9	19.6	-	16.8	17.4	19.1	-	16.4	17.0	18.6	-	15.6	16.2	17.7	-	14.4	15.0	16.4	-
		S/T	0.71	0.59	0.41	-	0.74	0.62	0.43	-	0.76	0.63	0.44	-	0.78	0.65	0.45	-	0.81	0.68	0.47	-	0.82	0.68	0.47	-
		Delta T	17	15	11	-	17	15	11	-	17	15	11	-	17	15	11	-	17	15	11	-	16	14	11	-
		KW	1.27	1.30	1.33	-	1.36	1.39	1.43	-	1.44	1.47	1.51	-	1.51	1.54	1.59	-	1.57	1.60	1.65	-	1.62	1.65	1.70	-
		AMPS	4.4	4.5	4.6	-	4.7	4.8	5.0	-	5.1	5.2	5.4	-	5.5	5.6	5.8	-	5.8	5.9	6.1	-	6.1	6.3	6.5	-
		HIPR	226	243	246	-	255	274	278	-	290	312	316	-	330	355	360	-	372	400	405	-	416	448	454	-
		LO PR	116	120	131	-	119	123	135	-	124	127	139	-	127	131	143	-	129	133	146	-	133	137	149	-
		MBh	17.1	17.7	19.4	-	16.7	17.3	19.0	-	16.3	16.9	18.5	-	15.9	16.5	18.1	-	15.1	15.7	17.2	-	14.0	14.5	15.9	-
		S/T	0.68	0.57	0.39	-	0.70	0.59	0.41	-	0.72	0.60	0.42	-	0.74	0.62	0.43	-	0.77	0.65	0.45	-	0.78	0.65	0.45	-
		Delta T	18	15	12	-	18	16	12	-	18	16	12	-	18	16	12	-	18	15	12	-	17	14	11	-
75	601	KW	1.26	1.29	1.32	-	1.35	1.38	1.42	-	1.43	1.46	1.50	-	1.50	1.53	1.57	-	1.55	1.59	1.63	-	1.60	1.64	1.69	-
		AMPS	4.3	4.4	4.6	-	4.7	4.8	4.9	-	5.1	5.2	5.4	-	5.4	5.5	5.7	-	5.7	5.9	6.1	-	6.1	6.2	6.4	-
		HIPR	223	240	244	-	253	272	275	-	287	309	313	-	327	352	357	-	368	396	401	-	412	443	450	-
		LO PR	115	119	129	-	118	122	133	-	122	126	138	-	126	130	141	-	128	132	144	-	131	135	148	-
		MBh	15.8	16.4	17.9	-	15.4	16.0	17.5	-	15.1	15.6	17.1	-	14.7	15.2	16.7	-	14.0	14.5	15.9	-	12.9	13.4	14.7	-
		S/T	0.65	0.55	0.38	-	0.68	0.57	0.39	-	0.70	0.58	0.40	-	0.72	0.60	0.42	-	0.75	0.62	0.43	-	0.75	0.63	0.43	-
		Delta T	18	16	12	-	18	16	12	-	18	16	12	-	18	16	12	-	18	16	12	-	17	15	11	-
		KW	1.25	1.28	1.31	-	1.34	1.37	1.41	-	1.42	1.45	1.49	-	1.49	1.52	1.56	-	1.54	1.57	1.62	-	1.59	1.62	1.67	-
		AMPS	4.3	4.4	4.5	-	4.6	4.7	4.9	-	5.0	5.1	5.3	-	5.4	5.5	5.7	-	5.7	5.8	6.0	-	6.0	6.2	6.4	-
		HIPR	221	238	241	-	250	269	273	-	284	306	310	-	324	348	353	-	364	392	397	-	408	439	445	-
LO PR	114	117	128	-	117	121	132	-	121	125	136	-	124	128	140	-	127	131	143	-	130	134	146	-		
75	676	MBh	17.9	18.5	20.0	21.5	17.5	18.0	19.5	21.0	17.1	17.6	19.1	20.5	16.7	17.2	18.6	20.0	15.9	16.3	17.7	19.0	14.7	15.1	16.4	17.6
		S/T	0.81	0.72	0.55	0.35	0.84	0.75	0.57	0.37	0.86	0.77	0.58	0.37	0.89	0.79	0.60	0.39	0.92	0.82	0.62	0.40	0.93	0.83	0.63	0.40
		Delta T	20	18	15	10	20	18	15	10	20	18	15	10	20	19	15	10	20	18	15	10	19	17	14	10
		KW	1.27	1.30	1.33	1.37	1.36	1.39	1.43	1.47	1.44	1.47	1.51	1.56	1.51	1.54	1.59	1.63	1.57	1.60	1.65	1.70	1.62	1.65	1.70	1.76
		AMPS	4.4	4.5	4.6	4.8	4.7	4.8	5.0	5.2	5.1	5.2	5.4	5.6	5.5	5.6	5.8	6.0	5.8	5.9	6.1	6.4	6.1	6.3	6.5	6.7
		HIPR	226	243	246	252	255	274	278	284	290	312	316	323	330	355	360	368	372	400	405	414	416	448	454	464
		LO PR	116	120	131	139	119	123	135	143	124	127	139	148	127	131	143	152	129	133	146	155	133	137	149	159
		MBh	17.4	17.9	19.4	20.8	17.0	17.5	19.0	20.3	16.6	17.1	18.5	19.9	16.2	16.7	18.1	19.4	15.4	15.8	17.2	18.4	14.3	14.7	15.9	17.1
		S/T	0.77	0.69	0.52	0.34	0.80	0.72	0.54	0.35	0.82	0.73	0.56	0.36	0.85	0.76	0.57	0.37	0.88	0.79	0.59	0.38	0.89	0.79	0.60	0.39
		Delta T	21	19	16	11	21	19	16	11	21	19	16	11	21	19	16	11	21	19	16	11	19	18	15	10
75	601	KW	1.26	1.29	1.32	1.36	1.35	1.38	1.42	1.46	1.43	1.46	1.50	1.55	1.50	1.53	1.57	1.62	1.55	1.59	1.63	1.69	1.60	1.64	1.69	1.74
		AMPS	4.3	4.4	4.6	4.7	4.7	4.8	4.9	5.1	5.1	5.2	5.4	5.6	5.4	5.5	5.7	5.9	5.7	5.9	6.1	6.3	6.1	6.2	6.4	6.7
		HIPR	223	240	244	249	253	272	275	282	287	309	313	320	327	352	357	365	368	396	401	410	412	443	450	459
		LO PR	115	119	129	138	118	122	133	142	122	126	138	147	126	130	141	151	128	132	144	154	131	135	148	157
		MBh	16.1	16.5	17.9	19.2	15.7	16.2	17.5	18.8	15.3	15.8	17.1	18.3	15.0	15.4	16.7	17.9	14.2	14.6	15.8	17.0	13.2	13.5	14.7	15.7
		S/T	0.74	0.67	0.50	0.32	0.77	0.69	0.52	0.34	0.79	0.71	0.54	0.34	0.82	0.73	0.55	0.36	0.85	0.76	0.57	0.37	0.85	0.76	0.58	0.37
		Delta T	21	19	16	11	21	19	16	11	21	20	16	11	21	20	16	11	21	19	16	11	20	18	15	10
		KW	1.25	1.28	1.31	1.35	1.34	1.37	1.41	1.45	1.42	1.45	1.49	1.53	1.49	1.52	1.56	1.61	1.54	1.57	1.62	1.67	1.59	1.62	1.67	1.73
		AMPS	4.3	4.4	4.5	4.7	4.6	4.7	4.9	5.1	5.0	5.1	5.3	5.5	5.4	5.5	5.7	5.9	5.7	5.8	6.0	6.3	6.0	6.2	6.4	6.6
		HIPR	221	238	241	247	250	269	273	279	284	306	310	317	324	348	353	361	364	392	397	406	408	439	445	455
LO PR	114	117	128	136	117	121	132	140	121	125	136	145	124	128	140	149	127	131	143	152	130	134	146	156		

* Entering Indoor Dry Bulb Temperature

NOTE: Shaded area is ACCA (TV A) conditions

COOLING PERFORMANCE DATA

ASX140181A*

EXPANDED PERFORMANCE DATA

COOLING OPERATION

MODEL: ASX140181A* / CA*F3131B6A* + TXV

IDB*	Airflow	Outdoor Ambient Temperature																																			
		65						75						85						95						105						115					
		59	63	67	71	75	79	59	63	67	71	75	79	59	63	67	71	75	79	59	63	67	71	75	79	59	63	67	71	75	79						
80	676	MBh	18.3	18.7	19.9	21.3	17.8	18.2	19.5	20.8	17.4	17.8	19.0	20.3	17.0	17.4	18.5	19.8	16.1	16.5	17.6	18.8	14.9	15.3	16.3	17.4											
		S/T	0.89	0.83	0.68	0.51	0.92	0.86	0.70	0.52	0.94	0.88	0.72	0.54	1.00	0.91	0.74	0.56	1.00	0.95	0.77	0.58	1.00	0.96	0.78	0.58											
		Delta T	22	21	18	15	22	21	19	15	22	21	19	15	23	22	19	15	22	21	18	15	20	20	17	14											
		KW	1.27	1.30	1.33	1.37	1.36	1.39	1.43	1.47	1.44	1.47	1.51	1.56	1.51	1.54	1.59	1.63	1.57	1.60	1.65	1.70	1.62	1.65	1.70	1.76											
		AMPS	4.4	4.5	4.6	4.8	4.7	4.8	5.0	5.2	5.1	5.2	5.4	5.6	5.5	5.6	5.8	6.0	5.8	5.9	6.1	6.4	6.1	6.3	6.5	6.7											
	601	HIPR	226	243	246	252	255	274	278	284	290	312	316	323	330	355	360	368	372	400	405	414	416	448	454	464											
		LO PR	116	120	131	139	119	123	135	143	124	127	139	148	127	131	143	152	129	133	146	155	133	137	149	159											
		MBh	17.7	18.1	19.4	20.7	17.3	17.7	18.9	20.2	16.9	17.3	18.5	19.7	16.5	16.8	18.0	19.2	15.7	16.0	17.1	18.3	14.5	14.8	15.8	16.9											
		S/T	0.85	0.79	0.65	0.48	0.88	0.82	0.67	0.50	0.90	0.84	0.69	0.51	0.93	0.87	0.71	0.53	0.96	0.90	0.74	0.55	0.97	0.91	0.74	0.55											
		Delta T	23	22	19	15	23	22	19	15	23	22	19	15	23	22	20	16	23	22	19	15	22	21	18	14											
526	676	KW	1.26	1.29	1.32	1.36	1.35	1.38	1.42	1.46	1.43	1.46	1.50	1.55	1.50	1.53	1.57	1.62	1.55	1.59	1.63	1.69	1.60	1.64	1.69	1.74											
		AMPS	4.3	4.4	4.6	4.7	4.7	4.8	4.9	5.1	5.1	5.2	5.4	5.6	5.4	5.5	5.7	5.9	5.7	5.9	6.1	6.3	6.1	6.2	6.4	6.7											
		HIPR	223	240	244	249	253	272	275	282	287	309	313	320	327	352	357	365	368	396	401	410	412	443	450	459											
		LO PR	115	119	129	138	118	122	133	142	122	126	138	147	126	130	141	151	128	132	144	154	131	135	148	157											
		MBh	16.4	16.7	17.9	19.1	16.0	16.3	17.4	18.6	15.6	15.9	17.0	18.2	15.2	15.6	16.6	17.8	14.5	14.8	15.8	16.9	13.4	13.7	14.6	15.6											
	601	S/T	0.82	0.77	0.62	0.47	0.85	0.79	0.65	0.48	0.87	0.81	0.66	0.49	0.90	0.84	0.68	0.51	0.93	0.87	0.71	0.53	0.94	0.88	0.72	0.53											
		Delta T	23	22	19	16	24	23	20	16	24	23	20	16	24	23	20	16	23	23	20	16	22	21	18	15											
		KW	1.25	1.28	1.31	1.35	1.34	1.37	1.41	1.45	1.42	1.45	1.49	1.53	1.49	1.52	1.56	1.61	1.54	1.57	1.62	1.67	1.59	1.62	1.67	1.73											
		AMPS	4.3	4.4	4.5	4.7	4.6	4.7	4.9	5.1	5.0	5.1	5.3	5.5	5.4	5.5	5.7	5.9	5.7	5.8	6.0	6.3	6.0	6.2	6.4	6.6											
		HIPR	221	238	241	247	250	269	273	279	284	306	310	317	324	348	353	361	364	392	397	406	408	439	445	455											
LO PR	114	117	128	136	117	121	132	140	121	125	136	145	124	128	140	149	127	131	143	152	130	134	146	156													

85	676	MBh	18.6	18.9	19.8	21.2	18.1	18.5	19.4	20.7	17.7	18.1	18.9	20.2	17.3	17.6	18.4	19.7	16.4	16.7	17.5	18.7	15.2	15.5	16.2	17.3
		S/T	0.93	0.90	0.81	0.66	0.96	0.93	0.84	0.68	0.99	0.95	0.86	0.70	1.00	0.98	0.89	0.72	1.00	1.00	0.92	0.75	1.00	1.00	0.93	0.75
		Delta T	24	23	22	19	24	23	22	19	24	23	22	19	23	24	22	19	22	23	22	19	21	21	21	18
		KW	1.27	1.30	1.33	1.37	1.36	1.39	1.43	1.47	1.44	1.47	1.51	1.56	1.51	1.54	1.59	1.63	1.57	1.60	1.65	1.70	1.62	1.65	1.70	1.76
		AMPS	4.4	4.5	4.6	4.8	4.7	4.8	5.0	5.2	5.1	5.2	5.4	5.6	5.5	5.6	5.8	6.0	5.8	5.9	6.1	6.4	6.1	6.3	6.5	6.7
	601	HIPR	226	243	246	252	255	274	278	284	290	312	316	323	330	355	360	368	372	400	405	414	416	448	454	464
		LO PR	116	120	131	139	119	123	135	143	124	127	139	148	127	131	143	152	129	133	146	155	133	137	149	159
		MBh	18.0	18.4	19.3	20.5	17.6	18.0	18.8	20.1	17.2	17.5	18.4	19.6	16.8	17.1	17.9	19.1	15.9	16.2	17.0	18.2	14.8	15.0	15.8	16.8
		S/T	0.89	0.86	0.77	0.63	0.92	0.89	0.80	0.65	0.94	0.91	0.82	0.67	0.97	0.94	0.85	0.69	1.00	0.97	0.88	0.71	1.00	0.98	0.89	0.72
		Delta T	24	24	23	20	25	24	23	20	25	24	23	20	25	25	23	20	24	24	23	20	23	23	21	19
526	KW	1.26	1.29	1.32	1.36	1.35	1.38	1.42	1.46	1.43	1.46	1.50	1.55	1.50	1.53	1.57	1.62	1.55	1.59	1.63	1.69	1.60	1.64	1.69	1.74	
	AMPS	4.3	4.4	4.6	4.7	4.7	4.8	4.9	5.1	5.1	5.2	5.4	5.6	5.4	5.5	5.7	5.9	5.7	5.9	6.1	6.3	6.1	6.2	6.4	6.7	
	HIPR	223	240	244	249	253	272	275	282	287	309	313	320	327	352	357	365	368	396	401	410	412	443	450	459	
	LO PR	115	119	129	138	118	122	133	142	122	126	138	147	126	130	141	151	128	132	144	154	131	135	148	157	
	MBh	16.6	17.0	17.8	19.0	16.3	16.6	17.4	18.5	15.9	16.2	16.9	18.1	15.5	15.8	16.5	17.6	14.7	15.0	15.7	16.8	13.6	13.9	14.5	15.5	
S/T	0.86	0.83	0.75	0.60	0.89	0.86	0.77	0.63	0.91	0.88	0.79	0.64	0.94	0.91	0.82	0.66	0.97	0.94	0.85	0.69	0.98	0.95	0.86	0.69		
Delta T	25	24	23	20	25	25	23	20	25	25	23	20	25	25	24	20	25	25	23	20	23	23	22	19		
KW	1.25	1.28	1.31	1.35	1.34	1.37	1.41	1.45	1.42	1.45	1.49	1.53	1.49	1.52	1.56	1.61	1.54	1.57	1.62	1.67	1.59	1.62	1.67	1.73		
AMPS	4.3	4.4	4.5	4.7	4.6	4.7	4.9	5.1	5.0	5.1	5.3	5.5	5.4	5.5	5.7	5.9	5.7	5.8	6.0	6.3	6.0	6.2	6.4	6.6		
HIPR	221	238	241	247	250	269	273	279	284	306	310	317	324	348	353	361	364	392	397	406	408	439	445	455		
LO PR	114	117	128	136	117	121	132	140	121	125	136	145	124	128	140	149	127	131	143	152	130	134	146	156		

* Entering Indoor Dry Bulb Temperature

NOTE: Shaded area is ARI Rating Conditions

COOLING PERFORMANCE DATA

ASX140181B* / C* / D*

EXPANDED PERFORMANCE DATA

EXPANDED PERFORMANCE DATA

EXPANDED PERFORMANCE DATA

MODEL: ASX140181B*/CA*F3636*6C*

IDB*	Airflow	Outdoor Ambient Temperature																							
		65				75				85				95				105				115			
		59	63	67	71	59	63	67	71	59	63	67	71	59	63	67	71	59	63	67	71	59	63	67	71
525	MBh	16.7	17.3	18.9	-	16.3	16.9	18.5	-	15.9	16.5	18.1	-	15.5	16.1	17.6	-	14.7	15.3	16.7	-	14.7	15.3	16.7	-
	S/T	0.67	0.56	0.38	-	0.69	0.58	0.40	-	0.71	0.59	0.41	-	0.73	0.61	0.42	-	0.76	0.63	0.44	-	0.76	0.63	0.44	-
	Delta T	19	17	13	-	20	17	13	-	20	17	13	-	20	17	13	-	20	17	13	-	20	17	13	-
	KW	2.00	2.03	2.08	-	2.11	2.14	2.19	-	2.20	2.24	2.29	-	2.29	2.33	2.38	-	2.36	2.40	2.46	-	2.36	2.40	2.46	-
	AMPS	4.5	4.6	4.7	-	4.8	4.9	5.1	-	5.2	5.3	5.5	-	5.5	5.7	5.8	-	5.9	6.0	6.2	-	5.9	6.0	6.2	-
	HIPR	208	224	237	-	234	252	266	-	266	286	302	-	303	326	344	-	341	367	387	-	377	405	428	-
	LO PR	104	111	121	-	110	117	128	-	115	122	133	-	120	128	140	-	126	134	146	-	130	139	151	-
	MBh	18.1	18.7	20.5	-	17.7	18.3	20.0	-	17.2	17.9	19.6	-	16.8	17.4	19.1	-	16.0	16.6	18.1	-	14.8	15.3	16.8	-
	S/T	0.69	0.58	0.40	-	0.71	0.60	0.41	-	0.73	0.61	0.42	-	0.76	0.63	0.44	-	0.79	0.66	0.45	-	0.79	0.66	0.45	-
	Delta T	19	17	13	-	19	17	13	-	19	17	13	-	19	17	13	-	19	17	13	-	18	16	12	-
KW	2.03	2.07	2.11	-	2.15	2.18	2.23	-	2.25	2.28	2.34	-	2.33	2.37	2.43	-	2.41	2.45	2.51	-	2.47	2.51	2.58	-	
AMPS	4.6	4.7	4.8	-	4.9	5.0	5.2	-	5.3	5.4	5.6	-	5.7	5.8	6.0	-	6.0	6.2	6.4	-	6.4	6.5	6.7	-	
HIPR	215	231	244	-	241	260	274	-	274	295	312	-	312	336	355	-	351	378	399	-	388	418	441	-	
LO PR	108	114	125	-	114	121	132	-	118	126	137	-	124	132	144	-	130	138	151	-	134	143	156	-	
MBh	18.6	19.3	21.1	-	18.2	18.8	20.7	-	17.8	18.4	20.2	-	17.3	18.0	19.7	-	16.5	17.1	18.7	-	15.2	15.8	17.3	-	
S/T	0.72	0.60	0.42	-	0.75	0.63	0.43	-	0.77	0.64	0.44	-	0.79	0.66	0.46	-	0.82	0.69	0.48	-	0.83	0.69	0.48	-	
Delta T	18	16	12	-	19	16	12	-	19	16	12	-	19	16	12	-	18	16	12	-	17	15	11	-	
KW	2.05	2.08	2.12	-	2.16	2.19	2.25	-	2.26	2.30	2.35	-	2.35	2.39	2.45	-	2.42	2.46	2.53	-	2.49	2.53	2.59	-	
AMPS	4.6	4.7	4.9	-	5.0	5.1	5.2	-	5.4	5.5	5.7	-	5.7	5.9	6.0	-	6.1	6.2	6.4	-	6.4	6.6	6.8	-	
HIPR	217	234	247	-	244	262	277	-	277	298	315	-	315	340	359	-	355	382	403	-	392	422	446	-	
LO PR	109	116	126	-	115	122	133	-	119	127	139	-	125	133	146	-	131	140	152	-	136	144	158	-	
525	MBh	17.0	17.5	18.9	20.3	16.6	17.1	18.5	19.8	16.2	16.7	18.0	19.4	15.8	16.3	17.6	18.9	15.0	15.4	16.7	17.9	13.9	14.3	15.5	16.6
	S/T	0.76	0.68	0.51	0.33	0.78	0.70	0.53	0.34	0.80	0.72	0.54	0.35	0.83	0.74	0.56	0.36	0.86	0.77	0.58	0.37	0.87	0.78	0.59	0.38
	Delta T	22	21	17	12	23	21	17	12	23	21	17	12	23	21	17	12	23	21	17	12	21	19	16	11
	KW	2.01	2.04	2.09	2.14	2.12	2.15	2.20	2.26	2.22	2.25	2.31	2.37	2.30	2.34	2.40	2.46	2.38	2.42	2.48	2.54	2.44	2.48	2.54	2.61
	AMPS	4.5	4.6	4.7	4.9	4.8	4.9	5.1	5.3	5.2	5.4	5.5	5.7	5.6	5.7	5.9	6.1	5.9	6.1	6.2	6.5	6.3	6.4	6.6	6.8
	HIPR	211	227	239	250	236	254	269	280	269	289	305	319	306	329	348	363	344	371	391	408	380	409	432	451
	LO PR	105	112	122	130	111	118	129	138	116	123	134	143	122	129	141	150	127	136	148	158	132	140	153	163
	MBh	18.4	18.9	20.5	22.0	18.0	18.5	20.0	21.5	17.5	18.0	19.5	21.0	17.1	17.6	19.1	20.5	16.2	16.7	18.1	19.4	15.0	15.5	16.8	18.0
	S/T	0.78	0.70	0.53	0.34	0.81	0.73	0.55	0.35	0.83	0.75	0.56	0.36	0.86	0.77	0.58	0.37	0.89	0.80	0.60	0.39	0.90	0.81	0.61	0.39
	Delta T	22	20	17	12	22	21	17	12	22	21	17	12	23	21	17	12	22	20	17	12	21	19	16	11
KW	2.05	2.08	2.12	2.17	2.16	2.19	2.25	2.30	2.26	2.30	2.35	2.41	2.35	2.39	2.45	2.51	2.42	2.46	2.53	2.59	2.49	2.53	2.60	2.66	
AMPS	4.6	4.7	4.9	5.0	5.0	5.1	5.2	5.4	5.4	5.5	5.7	5.9	5.7	5.9	6.0	6.3	6.1	6.2	6.4	6.7	6.4	6.6	6.8	7.0	
HIPR	217	234	247	257	244	262	277	289	277	298	315	328	316	340	359	374	355	382	403	421	392	422	446	465	
LO PR	109	116	126	134	115	122	133	142	119	127	139	148	125	133	146	155	131	140	153	162	136	145	158	168	
MBh	18.9	19.5	21.1	22.6	18.5	19.0	20.6	22.1	18.1	18.6	20.1	21.6	17.6	18.1	19.6	21.1	16.7	17.2	18.6	20.0	15.5	16.0	17.3	18.5	
S/T	0.82	0.74	0.56	0.36	0.85	0.76	0.58	0.37	0.87	0.78	0.59	0.38	0.90	0.81	0.61	0.39	0.94	0.84	0.63	0.41	0.94	0.84	0.64	0.41	
Delta T	21	20	16	11	21	20	16	11	21	20	16	11	22	20	16	11	21	20	16	11	20	18	15	10	
KW	2.06	2.09	2.14	2.19	2.17	2.21	2.26	2.31	2.27	2.31	2.37	2.43	2.36	2.40	2.46	2.53	2.44	2.48	2.54	2.61	2.50	2.55	2.61	2.68	
AMPS	4.7	4.8	4.9	5.1	5.0	5.1	5.3	5.5	5.4	5.5	5.7	5.9	5.8	5.9	6.1	6.3	6.1	6.3	6.5	6.7	6.5	6.6	6.8	7.1	
HIPR	219	236	249	260	246	265	280	292	280	301	318	332	319	343	362	378	359	386	407	425	396	426	450	470	
LO PR	110	117	127	136	116	123	135	143	120	128	140	149	127	135	147	157	133	141	154	164	137	146	159	170	

* Entering Indoor Dry Bulb Temperature

NOTE: Shaded area is A CCA (TV A) conditions

COOLING PERFORMANCE DATA

ASX140181B* / C* / D*

EXPANDED PERFORMANCE DATA

COOLING OPERATION

MODEL: ASX140181B*/CA*F3636*6C*

IDB*	Airflow	Outdoor Ambient Temperature																													
		65					75					85					95					105					115				
		59	63	67	71	75	59	63	67	71	75	59	63	67	71	75	59	63	67	71	75	59	63	67	71	75	59	63	67	71	75
80	525	MBh	17.3	17.6	18.9	20.2	16.9	17.2	18.4	19.7	16.5	16.8	18.0	19.2	16.1	16.4	17.5	18.7	17.5	18.7	15.3	15.6	16.7	17.8	14.1	14.4	15.4	16.5			
		S/T	0.83	0.78	0.63	0.47	0.86	0.81	0.66	0.49	0.88	0.83	0.67	0.50	0.91	0.85	0.69	0.52	0.94	0.89	0.72	0.54	0.95	0.89	0.73	0.54					
		Delta T	25	24	21	17	25	24	21	17	25	24	21	17	26	25	21	17	25	24	21	17	24	23	20	16					
		KW	2.02	2.05	2.10	2.15	2.13	2.17	2.22	2.27	2.23	2.27	2.32	2.38	2.32	2.36	2.41	2.48	2.39	2.43	2.49	2.56	2.45	2.50	2.56	2.63					
		AMPS	4.5	4.6	4.8	4.9	4.9	5.0	5.1	5.3	5.3	5.4	5.6	5.8	5.6	5.8	5.9	6.2	6.0	6.1	6.3	6.5	6.3	6.5	6.7	6.9					
		HIPR	213	229	242	252	239	257	271	283	271	292	308	322	309	333	351	366	348	374	395	412	384	414	437	455					
		LO PR	106	113	124	132	112	120	131	139	117	124	136	145	123	131	143	152	129	137	149	159	133	142	155	165					
		MBh	18.7	19.1	20.4	21.8	18.3	18.7	20.0	21.3	17.8	18.2	19.5	20.8	17.4	17.8	19.0	20.3	16.5	16.9	18.1	19.3	15.3	15.6	16.7	17.9					
		S/T	0.86	0.81	0.66	0.49	0.89	0.84	0.68	0.51	0.91	0.86	0.70	0.52	0.94	0.88	0.72	0.54	0.98	0.92	0.75	0.56	0.99	0.93	0.75	0.56					
		Delta T	25	24	21	16	25	24	21	17	25	24	21	17	25	24	21	17	25	24	21	17	23	22	19	15					
KW	2.06	2.09	2.14	2.19	2.17	2.21	2.26	2.31	2.27	2.31	2.37	2.43	2.36	2.40	2.46	2.53	2.44	2.48	2.54	2.61	2.50	2.55	2.61	2.68							
AMPS	4.7	4.8	4.9	5.1	5.0	5.1	5.3	5.5	5.4	5.5	5.7	5.9	5.8	5.9	6.1	6.3	6.1	6.3	6.5	6.7	6.5	6.6	6.9	7.1							
HIPR	219	236	249	260	246	265	280	292	280	301	318	332	319	343	362	378	359	386	407	425	396	426	450	470							
LO PR	110	117	127	136	116	123	135	143	120	128	140	149	127	135	147	157	133	141	154	164	137	146	159	170							
MBh	19.3	19.7	21.0	22.5	18.8	19.2	20.5	22.0	18.4	18.8	20.1	21.4	17.9	18.3	19.6	20.9	17.0	17.4	18.6	19.9	15.8	16.1	17.2	18.4							
S/T	0.90	0.85	0.69	0.51	0.93	0.88	0.71	0.53	0.96	0.90	0.73	0.55	1.00	0.93	0.75	0.56	1.00	0.96	0.78	0.59	1.00	0.97	0.79	0.59							
Delta T	24	23	20	16	24	23	20	16	24	23	20	16	24	23	20	16	23	23	20	16	21	21	19	15							
KW	2.07	2.10	2.15	2.20	2.19	2.22	2.27	2.33	2.29	2.32	2.38	2.44	2.38	2.42	2.48	2.54	2.45	2.50	2.56	2.63	2.52	2.56	2.63	2.70							
AMPS	4.7	4.8	4.9	5.1	5.1	5.2	5.3	5.5	5.5	5.6	5.8	6.0	5.8	6.0	6.2	6.4	6.2	6.3	6.5	6.8	6.5	6.7	6.9	7.2							
HIPR	221	238	252	263	249	267	282	295	283	304	321	335	322	346	366	382	362	390	412	429	400	431	455	474							
LO PR	111	118	129	137	117	125	136	145	122	129	141	151	128	136	148	158	134	143	156	166	139	147	161	171							

85	525	MBh	17.6	17.9	18.8	20.0	17.2	17.5	18.3	19.5	16.8	17.1	17.9	19.1	16.3	16.7	17.4	18.6	17.4	18.6	15.5	15.8	16.6	17.7	14.4	14.7	15.4	16.4
		S/T	0.87	0.84	0.76	0.61	0.90	0.87	0.78	0.64	0.92	0.89	0.80	0.65	0.95	0.92	0.83	0.67	0.99	0.95	0.86	0.70	1.00	0.96	0.87	0.71		
		Delta T	27	26	25	22	27	27	25	22	27	27	25	22	27	27	25	22	27	26	25	22	25	25	23	20		
		KW	2.03	2.06	2.11	2.16	2.15	2.18	2.23	2.29	2.24	2.28	2.34	2.40	2.33	2.37	2.43	2.49	2.41	2.45	2.51	2.57	2.47	2.51	2.58	2.65		
		AMPS	4.6	4.7	4.8	5.0	4.9	5.0	5.2	5.4	5.3	5.4	5.6	5.8	5.7	5.8	6.0	6.2	6.0	6.2	6.4	6.6	6.4	6.5	6.7	7.0		
		HIPR	215	231	244	255	241	259	274	286	274	295	312	325	312	336	355	370	351	378	399	416	388	418	441	460		
		LO PR	108	114	125	133	114	121	132	140	118	126	137	146	124	132	144	153	130	138	151	161	134	143	156	166		
		MBh	19.0	19.4	20.3	21.7	18.6	19.0	19.9	21.2	18.2	18.5	19.4	20.7	17.7	18.1	18.9	20.2	16.8	17.1	18.0	19.2	15.6	15.9	16.6	17.7		
		S/T	0.90	0.87	0.79	0.64	0.93	0.90	0.81	0.66	0.96	0.92	0.83	0.68	0.99	0.95	0.86	0.70	1.00	0.99	0.89	0.73	1.00	1.00	0.90	0.73		
		Delta T	26	26	24	21	27	26	25	21	27	26	25	21	27	26	25	22	26	26	25	21	24	24	23	20		
KW	2.07	2.10	2.15	2.20	2.19	2.22	2.27	2.33	2.29	2.32	2.38	2.44	2.38	2.42	2.48	2.54	2.45	2.50	2.56	2.63	2.52	2.56	2.63	2.70				
AMPS	4.7	4.8	4.9	5.1	5.1	5.2	5.3	5.5	5.5	5.6	5.8	6.0	5.8	6.0	6.2	6.4	6.2	6.3	6.5	6.8	6.5	6.7	6.9	7.2				
HIPR	221	238	252	263	249	267	282	295	283	304	321	335	322	346	366	382	362	390	412	429	400	431	455	474				
LO PR	111	118	129	137	117	125	136	145	122	129	141	151	128	136	148	158	134	143	156	166	139	147	161	171				
MBh	19.6	20.0	20.9	22.3	19.2	19.5	20.4	21.8	18.7	19.1	20.0	21.3	18.2	18.6	19.5	20.8	17.3	17.7	18.5	19.7	16.1	16.4	17.1	18.3				
S/T	0.95	0.91	0.82	0.67	0.98	0.95	0.85	0.69	1.00	0.97	0.87	0.71	1.00	1.00	0.90	0.73	1.00	1.00	0.94	0.76	1.00	1.00	0.94	0.77				
Delta T	25	25	23	20	26	25	24	21	25	25	24	21	25	25	24	21	24	24	24	20	22	22	22	19				
KW	2.08	2.11	2.16	2.21	2.20	2.23	2.29	2.34	2.30	2.34	2.40	2.46	2.39	2.43	2.49	2.56	2.47	2.51	2.58	2.64	2.54	2.58	2.65	2.72				
AMPS	4.7	4.8	5.0	5.2	5.1	5.2	5.4	5.6	5.5	5.6	5.8	6.0	5.9	6.0	6.2	6.4	6.2	6.4	6.6	6.8	6.6	6.8	7.0	7.2				
HIPR	224	241	254	265	251	270	285	298	285	307	324	338	325	350	369	385	366	394	416	434	404	435	459	479				
LO PR	112	119	130	138	118	126	137	146	123	131	143	152	129	137	150	160	135	144	157	167	140	149	163	173				

* Entering Indoor Dry Bulb Temperature

NOTE: Shaded area is A HRI Rating Conditions

COOLING PERFORMANCE DATA

ASX140241A*

EXPANDED PERFORMANCE DATA

COOLING OPERATION

MODEL: ASX140241A* / CA*F3636B6A* / .057 Orifice

IDB*	Airflow	Outdoor Ambient Temperature																								
		65				75				85				105				115								
		59	63	67	71	59	63	67	71	59	63	67	71	59	63	67	71	59	63	67	71					
70	900	MBh	23.5	24.4	26.7	-	23.0	23.8	26.1	-	22.4	23.2	25.5	-	21.9	22.7	24.8	-	20.8	21.5	23.6	-	19.3	20.0	21.9	-
		S/T	0.73	0.61	0.42	-	0.76	0.63	0.44	-	0.78	0.65	0.45	-	0.80	0.67	0.46	-	0.83	0.70	0.48	-	0.84	0.70	0.49	-
		Delta T	18	15	12	-	18	15	12	-	18	15	12	-	18	16	12	-	18	15	12	-	17	14	11	-
		KW	1.63	1.66	1.71	-	1.75	1.78	1.84	-	1.85	1.89	1.95	-	1.94	1.98	2.04	-	2.02	2.06	2.13	-	2.09	2.13	2.20	-
		Amps	5.7	5.8	6.0	-	6.1	6.3	6.5	-	6.7	6.8	7.1	-	7.1	7.3	7.5	-	7.6	7.8	8.0	-	8.0	8.3	8.5	-
		HI PR	242	260	264	-	273	294	298	-	311	334	339	-	354	381	386	-	398	428	434	-	446	480	486	-
	800	LO PR	119	123	134	-	123	127	138	-	127	131	143	-	130	135	147	-	133	137	150	-	136	141	154	-
		MBh	22.8	23.7	25.9	-	22.3	23.1	25.3	-	21.8	22.6	24.7	-	21.2	22.0	24.1	-	20.2	20.9	22.9	-	18.7	19.4	21.2	-
		S/T	0.70	0.58	0.40	-	0.72	0.60	0.42	-	0.74	0.62	0.43	-	0.77	0.64	0.44	-	0.80	0.66	0.46	-	0.80	0.67	0.46	-
		Delta T	18	16	12	-	19	16	12	-	19	16	12	-	19	16	12	-	18	16	12	-	17	15	11	-
		KW	1.62	1.65	1.70	-	1.74	1.77	1.82	-	1.84	1.87	1.93	-	1.93	1.97	2.03	-	2.00	2.05	2.11	-	2.07	2.11	2.18	-
		Amps	5.6	5.7	5.9	-	6.1	6.2	6.4	-	6.6	6.8	7.0	-	7.1	7.2	7.5	-	7.5	7.7	8.0	-	8.0	8.2	8.5	-
700	HI PR	239	257	261	-	271	291	295	-	308	331	336	-	350	377	382	-	394	424	430	-	442	475	482	-	
	LO PR	118	122	133	-	122	126	137	-	126	130	142	-	129	133	146	-	132	136	148	-	135	139	152	-	
	MBh	21.1	21.8	23.9	-	20.6	21.3	23.4	-	20.1	20.8	22.8	-	19.6	20.3	22.3	-	18.6	19.3	21.1	-	17.3	17.9	19.6	-	
	S/T	0.67	0.56	0.39	-	0.70	0.58	0.40	-	0.72	0.60	0.41	-	0.74	0.62	0.43	-	0.77	0.64	0.44	-	0.77	0.65	0.45	-	
	Delta T	19	16	12	-	19	16	12	-	19	16	12	-	19	16	12	-	19	16	12	-	18	15	12	-	
	KW	1.61	1.64	1.69	-	1.72	1.76	1.81	-	1.82	1.86	1.92	-	1.91	1.95	2.01	-	1.99	2.03	2.09	-	2.05	2.10	2.16	-	
75	900	Amps	5.6	5.7	5.9	-	6.0	6.2	6.4	-	6.5	6.7	6.9	-	7.0	7.2	7.4	-	7.5	7.6	7.9	-	7.9	8.1	8.4	-
		HI PR	237	255	258	-	268	288	292	-	305	328	332	-	347	373	378	-	390	420	426	-	437	470	477	-
		LO PR	117	121	132	-	120	124	136	-	125	129	140	-	128	132	144	-	130	135	147	-	134	138	151	-
		MBh	23.9	24.6	26.7	28.6	23.4	24.1	26.0	27.9	22.8	23.5	25.4	27.3	22.2	22.9	24.8	26.6	21.1	21.8	23.6	25.3	19.6	20.2	21.8	23.4
		S/T	0.83	0.74	0.56	0.36	0.86	0.77	0.58	0.38	0.88	0.79	0.60	0.39	0.91	0.82	0.62	0.40	0.95	0.85	0.64	0.41	0.96	0.85	0.65	0.42
		Delta T	20	19	15	11	21	19	16	11	21	19	16	11	21	19	16	11	20	19	15	11	19	18	14	10
	800	KW	1.63	1.66	1.71	1.76	1.75	1.78	1.84	1.89	1.85	1.89	1.95	2.01	1.94	1.98	2.04	2.11	2.02	2.06	2.13	2.19	2.09	2.13	2.20	2.27
		Amps	5.7	5.8	6.0	6.2	6.1	6.3	6.5	6.7	6.7	6.8	7.1	7.3	7.1	7.3	7.5	7.8	7.6	7.8	8.0	8.4	8.0	8.3	8.5	8.9
		HI PR	242	260	264	269	273	294	298	305	311	334	339	346	354	381	386	394	398	428	434	444	446	480	486	497
		LO PR	119	123	134	143	123	127	138	147	127	131	143	152	130	135	147	157	133	137	150	160	136	141	154	164
		MBh	23.2	23.9	25.9	27.8	22.7	23.4	25.3	27.1	22.1	22.8	24.7	26.5	21.6	22.2	24.1	25.8	20.5	21.1	22.9	24.5	19.0	19.6	21.2	22.7
		S/T	0.79	0.71	0.54	0.35	0.82	0.74	0.56	0.36	0.84	0.75	0.57	0.37	0.87	0.78	0.59	0.38	0.90	0.81	0.61	0.39	0.91	0.82	0.62	0.40
700	Delta T	21	20	16	11	21	20	16	11	21	20	16	11	22	20	16	11	21	20	16	11	20	18	15	10	
	KW	1.62	1.65	1.70	1.75	1.74	1.77	1.82	1.88	1.84	1.87	1.93	1.99	1.93	1.97	2.03	2.09	2.00	2.05	2.11	2.18	2.07	2.11	2.18	2.25	
	Amps	5.6	5.7	5.9	6.2	6.1	6.2	6.4	6.7	6.6	6.8	7.0	7.3	7.1	7.2	7.5	7.8	7.5	7.7	8.0	8.3	8.0	8.2	8.5	8.8	
	HI PR	239	257	261	267	271	291	295	302	308	331	336	343	350	377	382	391	394	424	430	439	442	475	482	492	
	LO PR	118	122	133	142	122	126	137	146	126	130	142	151	129	133	146	155	132	136	148	158	135	139	152	162	
	MBh	21.4	22.1	23.9	25.6	20.9	21.6	23.3	25.0	20.4	21.0	22.8	24.4	19.9	20.5	22.2	23.8	18.9	19.5	21.1	22.7	17.5	18.1	19.6	21.0	
Delta T	22	20	16	11	22	20	16	11	22	20	16	11	22	20	17	11	22	20	16	11	20	19	15	11		

NOTE: Shaded area is ACCA (TV) conditions

* Entering Indoor Dry Bulb Temperature

COOLING PERFORMANCE DATA

ASX140241A*

EXPANDED PERFORMANCE DATA

EXPANDED PERFORMANCE DATA

EXPANDED PERFORMANCE DATA

MODEL: ASX140241A* / CA*F3636B6A* / .057 Orifice

IDB*	Airflow	Outdoor Ambient Temperature																													
		65					75					85					95					105					115				
		59	63	67	71	75	59	63	67	71	75	59	63	67	71	75	59	63	67	71	75	59	63	67	71	75	59	63	67	71	75
80	900	MBh	24.3	24.9	26.6	28.4	23.8	24.3	26.0	27.7	23.2	23.7	25.3	27.1	22.6	23.1	24.7	26.4	21.5	22.0	23.5	25.1	19.9	20.4	21.8	23.3					
		S/T	0.91	0.86	0.70	0.52	0.95	0.89	0.72	0.54	0.97	0.91	0.74	0.55	1.00	0.94	0.76	0.57	1.00	1.00	0.79	0.59	1.00	1.00	0.80	0.60					
		Delta T	23	22	19	15	23	22	19	15	23	22	19	15	23	22	19	15	22	22	22	19	15	20	21	18	14				
		KW	1.63	1.66	1.71	1.76	1.75	1.78	1.84	1.89	1.85	1.89	1.95	2.01	1.94	1.98	2.04	2.11	2.02	2.06	2.13	2.19	2.09	2.13	2.20	2.27					
		AMPS	5.7	5.8	6.0	6.2	6.1	6.3	6.5	6.7	6.7	6.8	7.1	7.3	7.1	7.3	7.5	7.8	7.6	7.8	8.0	8.4	8.0	8.3	8.5	8.9					
		HIPR	242	260	264	269	273	294	298	305	311	334	339	346	354	381	386	394	398	428	434	444	446	480	486	497					
		LO PR	119	123	134	143	123	127	138	147	127	131	143	152	130	135	147	157	133	137	150	160	136	141	154	164					
		MBh	23.6	24.1	25.8	27.6	23.1	23.6	25.2	26.9	22.5	23.0	24.6	26.3	22.0	22.5	24.0	25.7	20.9	21.3	22.8	24.4	19.3	19.8	21.1	22.6					
		S/T	0.87	0.82	0.66	0.50	0.90	0.85	0.69	0.51	0.93	0.87	0.71	0.53	0.96	0.90	0.73	0.54	0.99	0.93	0.76	0.57	1.00	0.94	0.76	0.57					
		Delta T	24	23	20	16	24	23	20	16	24	23	20	16	24	23	20	16	24	23	20	16	22	21	19	15					
KW	1.62	1.65	1.70	1.75	1.74	1.77	1.82	1.88	1.84	1.87	1.93	1.99	1.93	1.97	2.03	2.09	2.00	2.05	2.11	2.18	2.07	2.11	2.18	2.25							
AMPS	5.6	5.7	5.9	6.2	6.1	6.2	6.4	6.7	6.6	6.8	7.0	7.3	7.1	7.2	7.5	7.8	7.5	7.7	8.0	8.3	8.0	8.2	8.5	8.8							
HIPR	239	257	261	267	271	291	295	302	308	331	336	343	350	377	382	391	394	424	430	439	442	475	482	492							
LO PR	118	122	133	142	122	126	137	146	126	130	142	151	129	133	146	155	132	136	148	158	135	139	152	162							
MBh	21.8	22.3	23.8	25.5	21.3	21.8	23.3	24.9	20.8	21.3	22.7	24.3	20.3	20.7	22.2	23.7	19.3	19.7	21.0	22.5	17.9	18.2	19.5	20.8							
S/T	0.84	0.79	0.64	0.48	0.87	0.82	0.66	0.50	0.89	0.84	0.68	0.51	0.92	0.86	0.70	0.53	0.96	0.90	0.73	0.55	0.96	0.90	0.74	0.55							
Delta T	24	23	20	16	24	23	20	16	24	23	20	16	25	24	20	16	24	23	20	16	23	22	19	15							
KW	1.61	1.64	1.69	1.74	1.72	1.76	1.81	1.86	1.82	1.86	1.92	1.98	1.91	1.95	2.01	2.07	1.99	2.03	2.09	2.16	2.05	2.10	2.16	2.23							
AMPS	5.6	5.7	5.9	6.1	6.0	6.2	6.4	6.6	6.5	6.7	6.9	7.2	7.0	7.2	7.4	7.7	7.5	7.6	7.9	8.2	7.9	8.1	8.4	8.7							
HIPR	237	255	258	264	268	288	292	298	305	328	332	339	347	373	378	387	390	420	426	435	437	470	477	487							
LO PR	117	121	132	140	120	124	136	145	125	129	140	149	128	132	144	153	130	135	147	156	134	138	151	160							

85	900	MBh	24.8	25.2	26.4	28.2	24.2	24.7	25.8	27.6	23.6	24.1	25.2	26.9	23.0	23.5	24.6	26.2	21.9	22.3	23.4	24.9	20.3	20.7	21.6	23.1
		S/T	0.96	0.92	0.83	0.68	0.99	0.96	0.86	0.70	1.00	0.98	0.89	0.72	1.00	1.00	0.91	0.74	1.00	1.00	0.95	0.77	1.00	1.00	0.96	0.78
		Delta T	24	24	23	19	25	24	23	20	24	24	23	20	24	24	23	20	22	23	23	20	21	21	21	18
		KW	1.63	1.66	1.71	1.76	1.75	1.78	1.84	1.89	1.85	1.89	1.95	2.01	1.94	1.98	2.04	2.11	2.02	2.06	2.13	2.19	2.09	2.13	2.20	2.27
		AMPS	5.7	5.8	6.0	6.2	6.1	6.3	6.5	6.7	6.7	6.8	7.1	7.3	7.1	7.3	7.5	7.8	7.6	7.8	8.0	8.4	8.0	8.3	8.5	8.9
		HIPR	242	260	264	269	273	294	298	305	311	334	339	346	354	381	386	394	398	428	434	444	446	480	486	497
		LO PR	119	123	134	143	123	127	138	147	127	131	143	152	130	135	147	157	133	137	150	160	136	141	154	164
		MBh	24.0	24.5	25.7	27.4	23.5	23.9	25.1	26.8	22.9	23.4	24.5	26.1	22.4	22.8	23.9	25.5	21.2	21.7	22.7	24.2	19.7	20.1	21.0	22.4
		S/T	0.91	0.88	0.79	0.64	0.95	0.91	0.82	0.67	0.97	0.94	0.84	0.69	1.00	0.97	0.87	0.71	1.00	1.00	0.90	0.73	1.00	1.00	0.91	0.74
		Delta T	25	25	23	20	26	25	24	21	26	25	24	21	26	26	24	21	24	25	24	20	23	23	22	19
KW	1.62	1.65	1.70	1.75	1.74	1.77	1.82	1.88	1.84	1.87	1.93	1.99	1.93	1.97	2.03	2.09	2.00	2.05	2.11	2.18	2.07	2.11	2.18	2.25		
AMPS	5.6	5.7	5.9	6.2	6.1	6.2	6.4	6.7	6.6	6.8	7.0	7.3	7.1	7.2	7.5	7.8	7.5	7.7	8.0	8.3	8.0	8.2	8.5	8.8		
HIPR	239	257	261	267	271	291	295	302	308	331	336	343	350	377	382	391	394	424	430	439	442	475	482	492		
LO PR	118	122	133	142	122	126	137	146	126	130	142	151	129	133	146	155	132	136	148	158	135	139	152	162		
MBh	22.2	22.6	23.7	25.3	21.7	22.1	23.1	24.7	21.2	21.6	22.6	24.1	20.6	21.0	22.0	23.5	19.6	20.0	20.9	22.3	18.2	18.5	19.4	20.7		
S/T	0.88	0.85	0.77	0.62	0.91	0.88	0.79	0.64	0.94	0.90	0.81	0.66	0.97	0.93	0.84	0.68	1.00	0.97	0.87	0.71	1.00	0.98	0.88	0.71		
Delta T	26	25	24	21	26	26	24	21	26	26	24	21	26	26	24	21	26	25	24	21	24	24	22	19		
KW	1.61	1.64	1.69	1.74	1.72	1.76	1.81	1.86	1.82	1.86	1.92	1.98	1.91	1.95	2.01	2.07	1.99	2.03	2.09	2.16	2.05	2.10	2.16	2.23		
AMPS	5.6	5.7	5.9	6.1	6.0	6.2	6.4	6.6	6.5	6.7	6.9	7.2	7.0	7.2	7.4	7.7	7.5	7.6	7.9	8.2	7.9	8.1	8.4	8.7		
HIPR	237	255	258	264	268	288	292	298	305	328	332	339	347	373	378	387	390	420	426	435	437	470	477	487		
LO PR	117	121	132	140	120	124	136	145	125	129	140	149	128	132	144	153	130	135	147	156	134	138	151	160		

* Entering Indoor Dry Bulb Temperature

NOTE: Shaded area is ARI Rating Conditions

COOLING PERFORMANCE DATA

ASX140241B* / C*

EXPANDED PERFORMANCE DATA

EXPANDED PERFORMANCE DATA

MODEL: ASX140241B* / CA*F3636*6C*

IDB*	Airflow	Outdoor Ambient Temperature																													
		65					75					85					95					105					115				
		59	63	67	71	75	59	63	67	71	75	59	63	67	71	75	59	63	67	71	75	59	63	67	71	75	59	63	67	71	75
70	MBh	23.4	24.2	26.5	-	22.8	23.7	25.9	-	22.3	23.1	25.3	-	21.7	22.5	24.7	-	20.7	21.4	23.5	-	19.1	19.8	21.7	-						
	S/T	0.65	0.54	0.37	-	0.67	0.56	0.39	-	0.69	0.57	0.40	-	0.71	0.59	0.41	-	0.74	0.61	0.43	-	0.74	0.62	0.43	-						
	Delta T	20	17	13	-	20	17	13	-	20	17	13	-	20	18	13	-	20	17	13	-	19	16	12	-						
	KW	1.60	1.63	1.68	-	1.72	1.75	1.81	-	1.82	1.86	1.92	-	1.91	1.95	2.02	-	1.99	2.03	2.10	-	2.06	2.10	2.17	-						
	AMPS	5.8	6.0	6.2	-	6.3	6.5	6.7	-	6.9	7.0	7.3	-	7.3	7.5	7.8	-	7.8	8.0	8.3	-	8.3	8.5	8.8	-						
	HIPR	233	250	264	-	261	281	297	-	297	320	337	-	338	364	384	-	380	409	432	-	420	452	478	-						
	LO PR	105	112	122	-	111	118	129	-	115	123	134	-	121	129	141	-	127	135	147	-	131	140	152	-						
	MBh	23.6	24.5	26.8	-	23.1	23.9	26.2	-	22.5	23.3	25.6	-	22.0	22.8	24.9	-	20.9	21.6	23.7	-	19.3	20.0	21.9	-						
	S/T	0.65	0.54	0.38	-	0.68	0.56	0.39	-	0.69	0.58	0.40	-	0.72	0.60	0.41	-	0.74	0.62	0.43	-	0.75	0.63	0.43	-						
	Delta T	20	17	13	-	20	17	13	-	20	17	13	-	20	17	13	-	20	17	13	-	18	16	12	-						
725	KW	1.62	1.65	1.70	-	1.74	1.77	1.83	-	1.84	1.88	1.94	-	1.93	1.97	2.04	-	2.01	2.06	2.12	-	2.08	2.13	2.19	-						
	AMPS	5.9	6.1	6.2	-	6.4	6.5	6.8	-	6.9	7.1	7.3	-	7.4	7.6	7.9	-	7.9	8.1	8.4	-	8.4	8.6	8.9	-						
	HIPR	236	254	268	-	265	285	301	-	301	324	342	-	343	369	389	-	385	415	438	-	426	458	484	-						
	LO PR	106	113	123	-	112	119	130	-	117	124	136	-	123	130	142	-	128	137	149	-	133	141	154	-						
	MBh	24.4	25.3	27.7	-	23.9	24.7	27.1	-	23.3	24.1	26.5	-	22.7	23.6	25.8	-	21.6	22.4	24.5	-	20.0	20.7	22.7	-						
	S/T	0.69	0.58	0.40	-	0.72	0.60	0.42	-	0.74	0.62	0.43	-	0.76	0.64	0.44	-	0.79	0.66	0.46	-	0.80	0.66	0.46	-						
	Delta T	17	15	11	-	18	15	12	-	18	15	12	-	18	15	12	-	17	15	11	-	16	14	11	-						
	KW	1.64	1.67	1.72	-	1.76	1.80	1.85	-	1.87	1.91	1.97	-	1.96	2.01	2.07	-	2.04	2.09	2.16	-	2.11	2.16	2.23	-						
	AMPS	6.0	6.2	6.4	-	6.5	6.7	6.9	-	7.1	7.2	7.5	-	7.6	7.7	8.0	-	8.0	8.2	8.5	-	8.5	8.7	9.0	-						
	HIPR	240	259	273	-	270	290	307	-	307	330	349	-	349	376	397	-	393	423	447	-	434	467	494	-						
LO PR	108	115	126	-	115	122	133	-	119	127	138	-	125	133	145	-	131	139	152	-	136	144	157	-							

70	MBh	23.8	24.5	26.5	28.4	23.2	23.9	25.9	27.8	22.7	23.3	25.3	27.1	22.1	22.8	24.6	26.4	21.0	21.6	23.4	25.1	19.5	20.0	21.7	23.3
	S/T	0.73	0.66	0.50	0.32	0.76	0.68	0.51	0.33	0.78	0.70	0.53	0.34	0.81	0.72	0.55	0.35	0.84	0.75	0.57	0.36	0.84	0.75	0.57	0.37
	Delta T	23	21	17	12	23	21	17	12	23	21	18	12	23	22	18	12	23	21	17	12	22	20	16	11
	KW	1.61	1.64	1.69	1.75	1.73	1.77	1.82	1.88	1.84	1.87	1.93	2.00	1.93	1.97	2.03	2.10	2.01	2.05	2.12	2.19	2.08	2.12	2.19	2.26
	AMPS	5.9	6.0	6.2	6.5	6.4	6.5	6.7	7.0	6.9	7.1	7.3	7.6	7.4	7.6	7.8	8.1	7.9	8.1	8.3	8.7	8.3	8.5	8.8	9.2
	HIPR	235	253	267	279	264	284	300	313	300	323	341	356	342	368	388	405	384	414	437	456	425	457	483	503
	LO PR	106	113	123	131	112	119	130	139	116	124	135	144	122	130	142	151	128	136	149	158	133	141	154	164
	MBh	24.0	24.7	26.8	28.7	23.4	24.1	26.1	28.0	22.9	23.6	25.5	27.4	22.3	23.0	24.9	26.7	21.2	21.8	23.6	25.4	19.6	20.2	21.9	23.5
	S/T	0.74	0.66	0.50	0.32	0.77	0.69	0.52	0.33	0.79	0.70	0.53	0.34	0.81	0.73	0.55	0.35	0.84	0.76	0.57	0.37	0.85	0.76	0.58	0.37
	Delta T	23	21	17	12	23	21	17	12	23	21	17	12	23	21	17	12	23	21	17	12	21	20	16	11
725	KW	1.63	1.66	1.71	1.77	1.75	1.79	1.84	1.90	1.86	1.89	1.95	2.02	1.95	1.99	2.05	2.12	2.03	2.07	2.14	2.21	2.10	2.14	2.21	2.29
	AMPS	6.0	6.1	6.3	6.5	6.4	6.6	6.8	7.1	7.0	7.2	7.4	7.7	7.5	7.7	7.9	8.2	8.0	8.2	8.4	8.8	8.4	8.7	8.9	9.3
	HIPR	238	256	271	282	267	288	304	317	304	327	345	360	346	372	393	410	389	419	442	462	430	463	489	510
	LO PR	107	114	125	133	113	121	132	140	118	125	137	146	124	132	144	153	130	138	151	161	134	143	156	166
	MBh	24.8	25.6	27.7	29.7	24.3	25.0	27.0	29.0	23.7	24.4	26.4	28.3	23.1	23.8	25.8	27.6	22.0	22.6	24.5	26.3	20.3	20.9	22.7	24.3
	S/T	0.79	0.70	0.53	0.34	0.82	0.73	0.55	0.36	0.84	0.75	0.57	0.36	0.86	0.77	0.59	0.38	0.90	0.80	0.61	0.39	0.90	0.81	0.61	0.39
	Delta T	20	18	15	10	20	19	15	11	20	19	15	11	20	19	15	11	20	19	15	10	19	17	14	10
	KW	1.65	1.69	1.74	1.79	1.78	1.81	1.87	1.93	1.88	1.92	1.99	2.05	1.98	2.02	2.09	2.16	2.06	2.11	2.17	2.25	2.13	2.18	2.25	2.32
	AMPS	6.1	6.2	6.4	6.7	6.6	6.7	6.9	7.2	7.1	7.3	7.5	7.8	7.6	7.8	8.1	8.4	8.1	8.3	8.6	8.9	8.6	8.8	9.1	9.5
	HIPR	243	261	276	288	273	293	310	323	310	334	352	367	353	380	401	418	397	427	451	471	439	472	499	520
LO PR	110	117	127	135	116	123	134	143	120	128	140	149	126	134	147	156	132	141	154	164	137	146	159	169	

NOTE: Shaded area is A CCA (TV A) conditions

* Entering Indoor Dry Bulb Temperature

COOLING PERFORMANCE DATA

ASX140241B* / C*

EXPANDED PERFORMANCE DATA

COOLING OPERATION

MODEL: ASX140241B* / CA*F3636*6C*

IDB*	Airflow	Outdoor Ambient Temperature																								
		65				75				85				95				105				115				
		59	63	67	71	59	63	67	71	59	63	67	71	59	63	67	71	59	63	67	71	59	63	67	71	
80	700	MBh	24.2	24.7	26.4	28.2	23.6	24.1	25.8	27.6	23.1	23.6	25.2	26.9	22.5	23.0	24.6	26.3	21.4	21.8	23.3	24.9	19.8	20.2	21.6	23.1
		S/T	0.81	0.76	0.61	0.46	0.83	0.78	0.64	0.48	0.86	0.80	0.65	0.49	0.88	0.83	0.67	0.50	0.92	0.86	0.70	0.52	0.92	0.87	0.71	0.53
		Delta T	26	25	21	17	26	25	22	17	26	25	22	17	26	25	22	17	26	25	21	17	24	23	20	16
		KW	1.62	1.66	1.71	1.76	1.74	1.78	1.84	1.89	1.85	1.89	1.95	2.01	1.94	1.99	2.05	2.12	2.02	2.07	2.13	2.20	2.09	2.14	2.21	2.28
		AMPS	5.9	6.1	6.3	6.5	6.4	6.6	6.8	7.1	7.0	7.2	7.4	7.7	7.5	7.6	7.9	8.2	7.9	8.1	8.4	8.7	8.4	8.6	8.9	9.3
	725	HI PR	237	255	270	281	266	287	303	316	303	326	344	359	345	371	392	409	388	418	441	460	429	462	487	508
		LO PR	107	114	124	132	113	120	131	140	118	125	137	145	123	131	143	153	129	138	150	160	134	142	155	166
		MBh	24.4	25.0	26.7	28.5	23.9	24.4	26.1	27.8	23.3	23.8	25.4	27.2	22.7	23.2	24.8	26.5	21.6	22.1	23.6	25.2	20.0	20.4	21.8	23.3
		S/T	0.81	0.76	0.62	0.46	0.84	0.79	0.64	0.48	0.86	0.81	0.66	0.49	0.89	0.84	0.68	0.51	0.93	0.87	0.71	0.53	0.93	0.88	0.71	0.53
		Delta T	25	24	21	17	26	24	21	17	26	24	21	17	26	25	21	17	25	24	21	17	24	23	20	16
900	KW	1.64	1.67	1.73	1.78	1.76	1.80	1.86	1.91	1.87	1.91	1.97	2.03	1.96	2.01	2.07	2.14	2.05	2.09	2.16	2.23	2.11	2.16	2.23	2.31	
	AMPS	6.0	6.2	6.4	6.6	6.5	6.7	6.9	7.1	7.1	7.2	7.5	7.8	7.6	7.7	8.0	8.3	8.0	8.2	8.5	8.8	8.5	8.7	9.0	9.4	
	HI PR	241	259	273	285	270	290	307	320	307	330	349	364	350	376	397	414	393	423	447	466	435	468	494	515	
	LO PR	108	115	126	134	115	122	133	142	119	127	138	147	125	133	145	155	131	139	152	162	136	144	158	168	
	MBh	25.3	25.8	27.6	29.5	24.7	25.2	27.0	28.8	24.1	24.6	26.3	28.1	23.5	24.0	25.7	27.5	22.3	22.8	24.4	26.1	20.7	21.2	22.6	24.2	
85	700	S/T	0.86	0.81	0.66	0.49	0.90	0.84	0.68	0.51	0.92	0.86	0.70	0.52	0.95	0.89	0.72	0.54	1.00	0.92	0.75	0.56	1.00	0.93	0.76	0.57
		Delta T	22	21	19	15	23	22	19	15	23	22	19	15	23	22	19	15	23	22	19	15	21	20	17	14
		KW	1.67	1.70	1.75	1.81	1.79	1.83	1.88	1.94	1.90	1.94	2.00	2.07	2.00	2.04	2.10	2.17	2.08	2.12	2.19	2.26	2.15	2.20	2.27	2.34
		AMPS	6.1	6.3	6.5	6.7	6.6	6.8	7.0	7.3	7.2	7.4	7.6	7.9	7.7	7.9	8.1	8.5	8.2	8.4	8.7	9.0	8.7	8.9	9.2	9.5
		HI PR	245	264	279	291	275	296	313	326	313	337	356	371	357	384	405	423	401	432	456	476	443	477	504	525
	725	LO PR	111	118	128	137	117	124	136	145	121	129	141	150	128	136	148	158	134	142	155	165	138	147	161	171
		MBh	24.6	25.1	26.3	28.0	24.0	24.5	25.7	27.4	23.5	23.9	25.1	26.7	22.9	23.3	24.4	26.1	21.7	22.2	23.2	24.8	20.1	20.5	21.5	22.9
		S/T	0.84	0.81	0.73	0.60	0.87	0.84	0.76	0.62	0.90	0.87	0.78	0.63	0.93	0.89	0.81	0.65	0.96	0.93	0.84	0.68	0.97	0.93	0.84	0.68
		Delta T	27	27	25	22	28	27	26	22	28	27	26	22	28	27	26	22	27	27	26	22	26	25	24	21
		KW	1.64	1.67	1.72	1.77	1.76	1.79	1.85	1.91	1.87	1.90	1.96	2.03	1.96	2.00	2.07	2.13	2.04	2.08	2.15	2.22	2.11	2.16	2.23	2.30
900	AMPS	6.0	6.1	6.3	6.6	6.5	6.6	6.9	7.1	7.0	7.2	7.5	7.7	7.5	7.7	8.0	8.3	8.0	8.2	8.5	8.8	8.5	8.7	9.0	9.3	
	HI PR	240	258	272	284	269	290	306	319	306	329	348	363	349	375	396	413	392	422	446	465	433	466	492	513	
	LO PR	108	115	126	134	114	122	133	141	119	126	138	147	125	133	145	154	131	139	152	162	135	144	157	167	
	MBh	24.9	25.3	26.5	28.3	24.3	24.7	25.9	27.7	23.7	24.2	25.3	27.0	23.1	23.6	24.7	26.3	22.0	22.4	23.5	25.0	20.3	20.7	21.7	23.2	
	S/T	0.85	0.82	0.74	0.60	0.88	0.85	0.77	0.62	0.91	0.87	0.79	0.64	0.94	0.90	0.81	0.66	0.97	0.94	0.85	0.69	0.98	0.94	0.85	0.69	
85	725	Delta T	27	26	25	22	27	27	25	22	27	27	25	22	27	27	25	22	27	27	25	22	25	25	23	20
		KW	1.65	1.69	1.74	1.79	1.78	1.81	1.87	1.93	1.88	1.92	1.99	2.05	1.98	2.02	2.09	2.16	2.06	2.11	2.17	2.25	2.13	2.18	2.25	2.32
		AMPS	6.1	6.2	6.4	6.7	6.6	6.7	6.9	7.2	7.1	7.3	7.6	7.8	7.6	7.8	8.1	8.4	8.1	8.3	8.6	8.9	8.6	8.8	9.1	9.5
		HI PR	243	261	276	288	273	293	310	323	310	334	352	367	353	380	401	419	397	428	451	471	439	472	499	520
		LO PR	110	117	127	136	116	123	134	143	120	128	140	149	126	134	147	156	132	141	154	164	137	146	159	169
	900	MBh	25.7	26.2	27.5	29.3	25.1	25.6	26.8	28.6	24.5	25.0	26.2	27.9	23.9	24.4	25.5	27.3	22.7	23.2	24.3	25.9	21.1	21.5	22.5	24.0
		S/T	0.91	0.87	0.79	0.64	0.94	0.91	0.82	0.66	0.96	0.93	0.84	0.68	0.99	0.96	0.87	0.70	1.00	1.00	0.90	0.73	1.00	1.00	0.91	0.73
		Delta T	24	23	22	19	24	24	22	19	24	24	22	19	24	24	23	20	23	24	22	19	22	22	21	18
		KW	1.68	1.71	1.77	1.82	1.80	1.84	1.90	1.96	1.91	1.96	2.02	2.08	2.01	2.06	2.12	2.19	2.10	2.14	2.21	2.28	2.17	2.21	2.29	2.36
		AMPS	6.2	6.3	6.5	6.8	6.7	6.8	7.1	7.3	7.3	7.4	7.7	8.0	7.8	8.0	8.2	8.5	8.3	8.5	8.8	9.1	8.8	9.0	9.3	9.6
900	HI PR	248	267	282	294	278	299	316	330	316	340	359	375	360	388	409	427	405	436	460	480	448	482	509	531	
	LO PR	112	119	130	138	118	126	137	146	123	131	143	152	129	137	150	159	135	144	157	167	140	149	162	173	

NOTE: Shaded area is AHRI Rating Conditions

* Entering Indoor Dry Bulb Temperature

COOLING PERFORMANCE DATA

ASX140301A*

EXPANDED PERFORMANCE DATA

COOLING OPERATION

MODEL: ASX140301A* / CA*F3642C6A* / .063 Orifice

IDB* Airflow		Outdoor Ambient Temperature																																																																																																																																																																																																																																																																																																																																																																																																																																																																																																																																																																																																																																																																																																																																																																																																																																																																																																																																																																																																																																																																																																																																																																																																																																																																																																																																																																																																																																																																																																																				
		65						75						85						95						105						115																																																																																																																																																																																																																																																																																																																																																																																																																																																																																																																																																																																																																																																																																																																																																																																																																																																																																																																																																																																																																																																																																																																																																																																																																																																																																																																																																																																																																																																																																						
		59	63	67	71	75	79	59	63	67	71	75	79	59	63	67	71	75	79	59	63	67	71	75	79	59	63	67	71	75	79	59	63	67	71	75	79																																																																																																																																																																																																																																																																																																																																																																																																																																																																																																																																																																																																																																																																																																																																																																																																																																																																																																																																																																																																																																																																																																																																																																																																																																																																																																																																																																																																																																																																																	
1181	MBh	28.2	29.3	32.0	-	27.6	28.6	31.3	-	26.9	27.9	30.6	-	26.3	27.2	29.8	-	24.9	25.8	28.3	-	23.1	23.9	26.2	-	28.7	29.8	32.5	-	28.0	29.0	31.7	-	27.2	28.1	30.6	-	26.5	27.4	30.0	-	25.6	26.5	29.0	-	22.8	23.6	26.1	-	23.0	23.8	26.3	-	23.2	24.0	26.5	-	23.4	24.2	26.7	-	23.6	24.4	26.9	-	23.8	24.6	27.1	-	24.0	24.8	27.3	-	24.2	25.0	27.5	-	24.4	25.2	27.7	-	24.6	25.4	27.9	-	24.8	25.6	28.1	-	25.0	25.8	28.3	-	25.2	26.0	28.5	-	25.4	26.2	28.7	-	25.6	26.4	28.9	-	25.8	26.6	29.1	-	26.0	26.8	29.3	-	26.2	27.0	29.5	-	26.4	27.2	29.7	-	26.6	27.4	29.9	-	26.8	27.6	30.1	-	27.0	27.8	30.3	-	27.2	28.0	30.5	-	27.4	28.2	30.7	-	27.6	28.4	30.9	-	27.8	28.6	31.1	-	28.0	28.8	31.3	-	28.2	29.0	31.5	-	28.4	29.2	31.7	-	28.6	29.4	31.9	-	28.8	29.6	32.1	-	29.0	29.8	32.3	-	29.2	30.0	32.5	-	29.4	30.2	32.7	-	29.6	30.4	32.9	-	29.8	30.6	33.1	-	30.0	30.8	33.3	-	30.2	31.0	33.5	-	30.4	31.2	33.7	-	30.6	31.4	33.9	-	30.8	31.6	34.1	-	31.0	31.8	34.3	-	31.2	32.0	34.5	-	31.4	32.2	34.7	-	31.6	32.4	34.9	-	31.8	32.6	35.1	-	32.0	32.8	35.3	-	32.2	33.0	35.5	-	32.4	33.2	35.7	-	32.6	33.4	35.9	-	32.8	33.6	36.1	-	33.0	33.8	36.3	-	33.2	34.0	36.5	-	33.4	34.2	36.7	-	33.6	34.4	36.9	-	33.8	34.6	37.1	-	34.0	34.8	37.3	-	34.2	35.0	37.5	-	34.4	35.2	37.7	-	34.6	35.4	37.9	-	34.8	35.6	38.1	-	35.0	35.8	38.3	-	35.2	36.0	38.5	-	35.4	36.2	38.7	-	35.6	36.4	38.9	-	35.8	36.6	39.1	-	36.0	36.8	39.3	-	36.2	37.0	39.5	-	36.4	37.2	39.7	-	36.6	37.4	39.9	-	36.8	37.6	40.1	-	37.0	37.8	40.3	-	37.2	38.0	40.5	-	37.4	38.2	40.7	-	37.6	38.4	40.9	-	37.8	38.6	41.1	-	38.0	38.8	41.3	-	38.2	39.0	41.5	-	38.4	39.2	41.7	-	38.6	39.4	41.9	-	38.8	39.6	42.1	-	39.0	39.8	42.3	-	39.2	40.0	42.5	-	39.4	40.2	42.7	-	39.6	40.4	42.9	-	39.8	40.6	43.1	-	40.0	40.8	43.3	-	40.2	41.0	43.5	-	40.4	41.2	43.7	-	40.6	41.4	43.9	-	40.8	41.6	44.1	-	41.0	41.8	44.3	-	41.2	42.0	44.5	-	41.4	42.2	44.7	-	41.6	42.4	44.9	-	41.8	42.6	45.1	-	42.0	42.8	45.3	-	42.2	43.0	45.5	-	42.4	43.2	45.7	-	42.6	43.4	45.9	-	42.8	43.6	46.1	-	43.0	43.8	46.3	-	43.2	44.0	46.5	-	43.4	44.2	46.7	-	43.6	44.4	46.9	-	43.8	44.6	47.1	-	44.0	44.8	47.3	-	44.2	45.0	47.5	-	44.4	45.2	47.7	-	44.6	45.4	47.9	-	44.8	45.6	48.1	-	45.0	45.8	48.3	-	45.2	46.0	48.5	-	45.4	46.2	48.7	-	45.6	46.4	48.9	-	45.8	46.6	49.1	-	46.0	46.8	49.3	-	46.2	47.0	49.5	-	46.4	47.2	49.7	-	46.6	47.4	49.9	-	46.8	47.6	50.1	-	47.0	47.8	50.3	-	47.2	48.0	50.5	-	47.4	48.2	50.7	-	47.6	48.4	50.9	-	47.8	48.6	51.1	-	48.0	48.8	51.3	-	48.2	49.0	51.5	-	48.4	49.2	51.7	-	48.6	49.4	51.9	-	48.8	49.6	52.1	-	49.0	49.8	52.3	-	49.2	50.0	52.5	-	49.4	50.2	52.7	-	49.6	50.4	52.9	-	49.8	50.6	53.1	-	50.0	50.8	53.3	-	50.2	51.0	53.5	-	50.4	51.2	53.7	-	50.6	51.4	53.9	-	50.8	51.6	54.1	-	51.0	51.8	54.3	-	51.2	52.0	54.5	-	51.4	52.2	54.7	-	51.6	52.4	54.9	-	51.8	52.6	55.1	-	52.0	52.8	55.3	-	52.2	53.0	55.5	-	52.4	53.2	55.7	-	52.6	53.4	55.9	-	52.8	53.6	56.1	-	53.0	53.8	56.3	-	53.2	54.0	56.5	-	53.4	54.2	56.7	-	53.6	54.4	56.9	-	53.8	54.6	57.1	-	54.0	54.8	57.3	-	54.2	55.0	57.5	-	54.4	55.2	57.7	-	54.6	55.4	57.9	-	54.8	55.6	58.1	-	55.0	55.8	58.3	-	55.2	56.0	58.5	-	55.4	56.2	58.7	-	55.6	56.4	58.9	-	55.8	56.6	59.1	-	56.0	56.8	59.3	-	56.2	57.0	59.5	-	56.4	57.2	59.7	-	56.6	57.4	59.9	-	56.8	57.6	60.1	-	57.0	57.8	60.3	-	57.2	58.0	60.5	-	57.4	58.2	60.7	-	57.6	58.4	60.9	-	57.8	58.6	61.1	-	58.0	58.8	61.3	-	58.2	59.0	61.5	-	58.4	59.2	61.7	-	58.6	59.4	61.9	-	58.8	59.6	62.1	-	59.0	59.8	62.3	-	59.2	60.0	62.5	-	59.4	60.2	62.7	-	59.6	60.4	62.9	-	59.8	60.6	63.1	-	60.0	60.8	63.3	-	60.2	61.0	63.5	-	60.4	61.2	63.7	-	60.6	61.4	63.9	-	60.8	61.6	64.1	-	61.0	61.8	64.3	-	61.2	62.0	64.5	-	61.4	62.2	64.7	-	61.6	62.4	64.9	-	61.8	62.6	65.1	-	62.0	62.8	65.3	-	62.2	63.0	65.5	-	62.4	63.2	65.7	-	62.6	63.4	65.9	-	62.8	63.6	66.1	-	63.0	63.8	66.3	-	63.2	64.0	66.5	-	63.4	64.2	66.7	-	63.6	64.4	66.9	-	63.8	64.6	67.1	-	64.0	64.8	67.3	-	64.2	65.0	67.5	-	64.4	65.2	67.7	-	64.6	65.4	67.9	-	64.8	65.6	68.1	-	65.0	65.8	68.3	-	65.2	66.0	68.5	-	65.4	66.2	68.7	-	65.6	66.4	68.9	-	65.8	66.6	69.1	-	66.0	66.8	69.3	-	66.2	67.0	69.5	-	66.4	67.2	69.7	-	66.6	67.4	69.9	-	66.8	67.6	70.1	-	67.0	67.8	70.3	-	67.2	68.0	70.5	-	67.4	68.2	70.7	-	67.6	68.4	70.9	-	67.8	68.6	71.1	-	68.0	68.8	71.3	-	68.2	69.0	71.5	-	68.4	69.2	71.7	-	68.6	69.4	71.9	-	68.8	69.6	72.1	-	69.0	69.8	72.3	-	69.2	70.0	72.5	-	69.4	70.2	72.7	-	69.6	70.4	72.9	-	69.8	70.6	73.1	-	70.0	70.8	73.3	-	70.2	71.0	73.5	-	70.4	71.2	73.7	-	70.6	71.4	73.9	-	70.8	71.6	74.1	-	71.0	71.8	74.3	-	71.2	72.0	74.5	-	71.4	72.2	74.7	-	71.6	72.4	74.9	-	71.8	72.6	75.1	-	72.0	72.8	75.3	-	72.2	73.0	75.5	-	72.4	73.2	75.7	-	72.6	73.4	75.9	-	72.8	73.6	76.1	-	73.0	73.8	76.3	-	73.2	74.0	76.5	-	73.4	74.2	76.7	-	73.6	74.4	76.9	-	73.8	74.6	77.1	-	74.0	74.8	77.3	-	74.2	75.0	77.5	-	74.4	75.2	77.7	-	74.6	75.4	77.9	-	74.8	75.6	78.1	-	75.0	75.8	78.3	-	75.2	76.0	78.5	-	75.4	76.2	78.7	-	75.6	76.4	78.9	-	75.8	76.6	79.1	-	76.0	76.8	79.3	-	76.2	77.0	79.5	-	76.4	77.2	79.7	-	76.6	77.4	79.9	-	76.8	77.6	80.1	-	77.0	77.8	80.3	-	77.2	78.0	80.5	-	77.4	78.2	80.7	-	77.6	78.4	80.9	-	77.8	78.6	81.1	-	78.0	78.8	81.3	-	78.2	79.0	81.5	-	78.4	79.2	81.7	-	78.6	79.4	81.9	-	78.8	79.6	82.1	-	79.0	79.8	82.3	-	79.2	80.0	82.5	-	79.4	80.2	82.7	-	79.6	80.4	82.9	-	79.8	80.6	83.1	-	80.0	80.8	83.3	-	80.2	81.0	83.5	-	80.4	81.2	83.7	-	80.6	81.4	83.9	-	80.8	81.6	84.1	-	81.0	81.8	84.3	-	81.2	82.0	84.5	-	81.4	82.2	84.7	-	81.6	82.4	84.9	-	81.8	82.6	85.1	-	82.0	82.8	85.3	-	82.2	83.0	85.5	-	82.4	83.2	85.7	-	82.6	83.4	85.9	-	82.8	83.6	86.1	-	83.0	83.8	86.3	-	83.2	84.0	86.5	-	83.4	84.2	86.7	-	83.6	84.4	86.9	-	83.8	84.6	87.1	-	84.0	84.8	87.3	-	84.2	85.0	87.5	-	84.4	85.2	87.7	-	84.6	85.4	87.9	-	84.8	85.6	88.1	-	85.0	85.8	88.3	-	85.2	86.0	88.5	-	85.4	86.2	88.7	-	85.6	86.4	88.9	-	85.8	86.6	89.1	-	86.0	86.8	89.3	-	86.2	87.0	89.5	-	86.4	87.2	89.7	-	86.6	87.4	89.9	-	86.8	87.6	90.1	-	87.0	87.8	90.3	-	87.2	88.0	90.5	-	87.4	88.2	90.7	-	87.6	88.4	90.9	-	87.8	88.6	91.1	-	88.0	88.8	91.3	-	88.2	89.0	91.5	-	88.4	89.2	91.7	-	88.6	89.4	91.9	-	88.8	89.6	92.1	-	89.0	89.8	92.3	-	89.2	90.0	92.5	-	89.4	90.2	92.7	-	89.6	90.4	92.9	-	89.8	90.6	93.1	-	90.0	90.8	93.3	-	90.2	91.0	93.5	-	90.4	91.2	93.7	-	90.6	91.4	93.9	-	90.8	91.6	94.1	-	91.0	91.8	94.3	-	91.2	92.0	94.5	-	91.4	92.2	94.7	-	91.6	92.4	94.9	-	91.8	92.6	95.1	-	92.0	92.8	95.3	-	92.2	93.0	95.5	-	92.4	93.2	95.7	-	92.6	93.4	95.9	-	92.8	93.6	96.1	-	93.0	93.8	96.3	-	93.2	94.0	96.5	-	93.4	94.2	96.7	-	93

COOLING PERFORMANCE DATA

ASX140301A*

EXPANDED PERFORMANCE DATA

COOLING OPERATION

MODEL: ASX140301A* / CA*F3642C6A* / .063 Orifice

IDB*	Airflow	Outdoor Ambient Temperature																													
		65					75					85					95					105					115				
		59	63	67	71	75	59	63	67	71	75	59	63	67	71	75	59	63	67	71	75	59	63	67	71	75	59	63	67	71	75
80	1181	MBh	29.2	29.8	31.9	34.1	28.5	29.2	31.1	33.3	27.9	28.5	30.4	32.5	27.2	27.8	29.7	31.7	25.8	26.4	28.2	30.1	23.9	24.4	26.1	27.9					
		S/T	0.92	0.86	0.70	0.52	0.95	0.89	0.72	0.54	1.00	0.91	0.74	0.55	1.00	0.94	0.77	0.57	1.00	1.00	0.80	0.59	1.00	1.00	0.80	0.60					
		Delta T	21	20	17	14	21	20	18	14	22	20	18	14	21	20	18	14	20	21	17	14	19	19	16	13					
		KW	1.93	1.97	2.03	2.08	2.07	2.11	2.17	2.23	2.18	2.23	2.29	2.36	2.29	2.33	2.40	2.48	2.37	2.42	2.50	2.57	2.45	2.50	2.58	2.66					
		AMPS	6.6	6.8	7.0	7.3	7.2	7.3	7.6	7.8	7.8	7.9	8.2	8.5	8.3	8.5	8.7	9.1	8.8	9.0	9.3	9.6	9.3	9.5	9.8	10.2					
		HIPR	233	250	254	259	263	283	287	293	299	322	326	333	341	366	372	380	383	412	418	427	429	462	468	478					
		LO PR	122	126	137	146	125	129	141	150	130	134	146	156	133	137	150	160	136	140	153	163	139	144	157	167					
		MBh	28.4	29.0	31.0	33.1	27.7	28.3	30.2	32.3	27.0	27.6	29.5	31.6	26.4	27.0	28.8	30.8	25.1	25.6	27.4	29.2	23.2	23.7	25.3	27.1					
		S/T	0.87	0.82	0.67	0.50	0.90	0.85	0.69	0.52	0.93	0.87	0.71	0.53	0.96	0.90	0.73	0.55	0.99	0.93	0.76	0.57	1.00	0.94	0.77	0.57					
		Delta T	22	21	18	14	22	21	18	15	22	21	18	15	22	21	18	15	22	21	18	15	20	20	17	14					
KW	1.92	1.96	2.01	2.07	2.05	2.09	2.15	2.21	2.17	2.21	2.27	2.34	2.27	2.31	2.38	2.46	2.36	2.40	2.48	2.55	2.43	2.48	2.56	2.64							
AMPS	6.6	6.7	6.9	7.2	7.1	7.3	7.5	7.8	7.7	7.9	8.1	8.4	8.2	8.4	8.7	9.0	8.7	8.9	9.2	9.6	9.2	9.4	9.8	10.1							
HIPR	230	248	251	257	260	280	284	290	296	318	323	330	337	363	368	376	380	408	414	423	425	457	464	474							
LO PR	121	124	136	145	124	128	140	149	128	132	145	154	132	136	149	158	135	139	151	161	138	142	155	165							
MBh	26.2	26.7	28.6	30.5	25.6	26.1	27.9	29.8	25.0	25.5	27.2	29.1	24.3	24.9	26.6	28.4	23.1	23.6	25.3	27.0	21.4	21.9	23.4	25.0							
S/T	0.84	0.79	0.64	0.48	0.87	0.82	0.67	0.50	0.89	0.84	0.68	0.51	0.92	0.87	0.70	0.53	0.96	0.90	0.73	0.55	0.97	0.91	0.74	0.55							
Delta T	22	21	18	15	22	21	19	15	22	21	19	15	22	22	19	15	22	21	18	15	21	20	17	14							
KW	1.91	1.94	2.00	2.05	2.04	2.08	2.14	2.20	2.15	2.19	2.26	2.33	2.25	2.30	2.37	2.44	2.34	2.39	2.46	2.53	2.41	2.46	2.54	2.62							
AMPS	6.5	6.7	6.9	7.1	7.0	7.2	7.4	7.7	7.6	7.8	8.1	8.3	8.1	8.3	8.6	8.9	8.6	8.8	9.1	9.5	9.1	9.4	9.7	10.0							
HIPR	228	245	249	254	258	277	281	287	293	315	320	327	334	359	364	372	376	404	410	419	421	452	459	469							
LO PR	119	123	135	143	123	127	138	147	127	131	143	153	131	135	147	157	133	137	150	160	136	141	154	164							

85	1181	MBh	29.7	30.3	31.7	33.9	29.0	29.6	31.0	33.1	28.3	28.9	30.3	32.3	27.6	28.2	29.5	31.5	26.3	26.8	28.0	29.9	24.3	24.8	26.0	27.7
		S/T	0.96	0.93	0.84	0.68	0.99	0.96	0.87	0.70	1.00	0.98	0.89	0.72	1.00	1.00	0.92	0.74	1.00	1.00	0.95	0.77	1.00	1.00	0.96	0.78
		Delta T	22	22	21	18	22	22	21	18	22	22	21	18	22	22	21	18	22	21	18	15	19	19	19	17
		KW	1.93	1.97	2.03	2.08	2.07	2.11	2.17	2.23	2.18	2.23	2.29	2.36	2.29	2.33	2.40	2.48	2.37	2.42	2.50	2.57	2.45	2.50	2.58	2.66
		AMPS	6.6	6.8	7.0	7.3	7.2	7.3	7.6	7.8	7.8	7.9	8.2	8.5	8.3	8.5	8.7	9.1	8.8	9.0	9.3	9.6	9.3	9.5	9.8	10.2
		HIPR	233	250	254	259	263	283	287	293	299	322	326	333	341	366	372	380	383	412	418	427	429	462	468	478
		LO PR	122	126	137	146	125	129	141	150	130	134	146	156	133	137	150	160	136	140	153	163	139	144	157	167
		MBh	28.9	29.4	30.8	32.9	28.2	28.7	30.1	32.1	27.5	28.0	29.4	31.3	26.8	27.4	28.7	30.6	25.5	26.0	27.2	29.0	23.6	24.1	25.2	26.9
		S/T	0.92	0.88	0.80	0.65	0.95	0.92	0.83	0.67	0.97	0.94	0.85	0.69	1.00	0.97	0.87	0.71	1.00	1.00	0.91	0.74	1.00	1.00	0.91	0.74
		Delta T	23	23	21	19	23	23	22	19	23	23	22	19	24	24	22	19	22	23	22	19	21	21	20	17
KW	1.92	1.96	2.01	2.07	2.05	2.09	2.15	2.21	2.17	2.21	2.27	2.34	2.27	2.31	2.38	2.46	2.36	2.40	2.48	2.55	2.43	2.48	2.56	2.64		
AMPS	6.6	6.7	6.9	7.2	7.1	7.3	7.5	7.8	7.7	7.9	8.1	8.4	8.2	8.4	8.7	9.0	8.7	8.9	9.2	9.6	9.2	9.4	9.8	10.1		
HIPR	230	248	251	257	260	280	284	290	296	318	323	330	337	363	368	376	380	408	414	423	425	457	464	474		
LO PR	121	124	136	145	124	128	140	149	128	132	145	154	132	136	149	158	135	139	151	161	138	142	155	165		
MBh	26.6	27.1	28.4	30.3	26.0	26.5	27.8	29.6	25.4	25.9	27.1	28.9	24.8	25.3	26.4	28.2	23.5	24.0	25.1	26.8	21.8	22.2	23.3	24.8		
S/T	0.88	0.85	0.77	0.62	0.91	0.88	0.80	0.65	0.94	0.90	0.82	0.66	0.97	0.93	0.84	0.68	1.00	0.97	0.87	0.71	1.00	0.98	0.88	0.72		
Delta T	24	23	22	19	24	23	22	19	24	23	22	19	24	24	22	19	24	23	22	19	22	22	21	18		
KW	1.91	1.94	2.00	2.05	2.04	2.08	2.14	2.20	2.15	2.19	2.26	2.33	2.25	2.30	2.37	2.44	2.34	2.39	2.46	2.53	2.41	2.46	2.54	2.62		
AMPS	6.5	6.7	6.9	7.1	7.0	7.2	7.4	7.7	7.6	7.8	8.1	8.3	8.1	8.3	8.6	8.9	8.6	8.8	9.1	9.5	9.1	9.4	9.7	10.0		
HIPR	228	245	249	254	258	277	281	287	293	315	320	327	334	359	364	372	376	404	410	419	421	452	459	469		
LO PR	119	123	135	143	123	127	138	147	127	131	143	153	131	135	147	157	133	137	150	160	136	141	154	164		

NOTE: Shaded area is ARI Rating Conditions

* Entering Indoor Dry Bulb Temperature

COOLING PERFORMANCE DATA

ASX140301B* / C*

EXPANDED PERFORMANCE DATA

COOLING OPERATION

MODEL: ASX140301B*/CA*F3642*6C*

IDB*	Airflow	Outdoor Ambient Temperature																								
		65				75				85				95				105				115				
		59	63	67	71	59	63	67	71	59	63	67	71	59	63	67	71	59	63	67	71	59	63	67	71	
70	875	MBh	25.3	26.2	28.7	-	24.7	25.6	28.1	-	24.1	25.0	27.4	-	23.5	24.4	26.7	-	22.3	23.2	25.4	-	20.7	21.5	23.5	-
		S/T	0.68	0.57	0.40	-	0.71	0.59	0.41	-	0.73	0.61	0.42	-	0.75	0.63	0.43	-	0.78	0.65	0.45	-	0.79	0.66	0.45	-
		Delta T	18	16	12	-	18	16	12	-	18	16	12	-	19	16	12	-	18	16	12	-	17	15	11	-
		KW	1.92	1.96	2.01	-	2.05	2.09	2.15	-	2.17	2.21	2.27	-	2.27	2.31	2.38	-	2.35	2.40	2.47	-	2.43	2.47	2.55	-
		AMPS	6.8	6.9	7.1	-	7.3	7.5	7.7	-	7.9	8.1	8.3	-	8.4	8.6	8.9	-	8.9	9.1	9.4	-	9.4	9.7	10.0	-
		HI PR	217	234	247	-	244	262	277	-	277	298	315	-	316	340	359	-	355	382	404	-	393	423	446	-
	1000	LO PR	105	112	122	-	111	118	129	-	115	123	134	-	121	129	141	-	127	135	148	-	131	140	153	-
		MBh	27.4	28.4	31.1	-	26.8	27.7	30.4	-	26.1	27.1	29.7	-	25.5	26.4	28.9	-	24.2	25.1	27.5	-	22.4	23.2	25.5	-
		S/T	0.71	0.59	0.41	-	0.74	0.61	0.43	-	0.75	0.63	0.44	-	0.78	0.65	0.45	-	0.81	0.67	0.47	-	0.81	0.68	0.47	-
		Delta T	18	15	12	-	18	16	12	-	18	16	12	-	18	16	12	-	18	16	12	-	17	15	11	-
		KW	1.97	2.00	2.06	-	2.10	2.14	2.20	-	2.22	2.26	2.32	-	2.32	2.36	2.43	-	2.41	2.45	2.53	-	2.48	2.53	2.61	-
		AMPS	7.0	7.1	7.3	-	7.5	7.7	7.9	-	8.1	8.3	8.6	-	8.6	8.8	9.1	-	9.2	9.4	9.7	-	9.7	9.9	10.3	-
1125	HI PR	224	241	255	-	251	271	286	-	286	308	325	-	326	350	370	-	366	394	416	-	405	436	460	-	
	LO PR	108	115	126	-	115	122	133	-	119	127	138	-	125	133	145	-	131	139	152	-	136	144	157	-	
	MBh	28.2	29.3	32.0	-	27.6	28.6	31.3	-	26.9	27.9	30.6	-	26.3	27.2	29.8	-	24.9	25.8	28.3	-	23.1	23.9	26.2	-	
	S/T	0.74	0.62	0.43	-	0.77	0.64	0.45	-	0.79	0.66	0.46	-	0.82	0.68	0.47	-	0.85	0.71	0.49	-	0.85	0.71	0.49	-	
	Delta T	17	15	11	-	17	15	11	-	17	15	11	-	18	15	12	-	17	15	11	-	16	14	11	-	
	KW	1.98	2.02	2.07	-	2.11	2.15	2.22	-	2.23	2.28	2.34	-	2.34	2.38	2.45	-	2.42	2.47	2.55	-	2.50	2.55	2.63	-	
75	875	MBh	25.7	26.5	28.7	30.8	25.1	25.9	28.0	30.0	24.5	25.2	27.3	29.3	23.9	24.6	26.7	28.6	22.7	23.4	25.3	27.2	21.1	21.7	23.5	25.2
		S/T	0.78	0.70	0.53	0.34	0.81	0.72	0.55	0.35	0.83	0.74	0.56	0.36	0.85	0.76	0.58	0.37	0.89	0.79	0.60	0.39	0.89	0.80	0.60	0.39
		Delta T	21	19	16	11	21	20	16	11	21	20	16	11	21	20	16	11	21	19	16	11	20	18	15	10
		KW	1.94	1.97	2.03	2.09	2.07	2.11	2.17	2.23	2.18	2.23	2.29	2.36	2.28	2.33	2.40	2.47	2.37	2.42	2.49	2.57	2.44	2.49	2.57	2.65
		AMPS	6.8	7.0	7.2	7.5	7.4	7.5	7.8	8.0	8.0	8.2	8.4	8.7	8.5	8.7	9.0	9.3	9.0	9.2	9.5	9.9	9.5	9.8	10.1	10.5
		HI PR	220	236	249	260	246	265	280	292	280	301	318	332	319	343	363	378	359	386	408	425	397	427	451	470
	1000	LO PR	106	113	123	131	112	119	130	139	117	124	135	144	123	130	142	152	128	137	149	159	133	141	154	164
		MBh	27.9	28.7	31.1	33.3	27.2	28.0	30.3	32.6	26.6	27.4	29.6	31.8	25.9	26.7	28.9	31.0	24.6	25.4	27.4	29.5	22.8	23.5	25.4	27.3
		S/T	0.81	0.72	0.55	0.35	0.84	0.75	0.57	0.36	0.86	0.77	0.58	0.37	0.89	0.79	0.60	0.39	0.92	0.82	0.62	0.40	0.93	0.83	0.63	0.40
		Delta T	21	19	16	11	21	19	16	11	21	19	16	11	21	19	16	11	21	19	16	11	19	18	15	10
		KW	1.98	2.02	2.07	2.13	2.11	2.15	2.22	2.28	2.23	2.28	2.34	2.41	2.34	2.38	2.45	2.53	2.43	2.47	2.55	2.63	2.50	2.55	2.63	2.71
		AMPS	7.0	7.2	7.4	7.7	7.6	7.7	8.0	8.3	8.2	8.4	8.6	9.0	8.7	8.9	9.2	9.6	9.3	9.5	9.8	10.2	9.8	10.0	10.4	10.7
1125	HI PR	226	244	257	268	254	273	289	301	289	311	328	342	329	354	374	390	370	398	421	439	409	440	465	485	
	LO PR	110	117	127	135	116	123	134	143	120	128	140	149	126	134	147	156	132	141	154	164	137	146	159	169	
	MBh	28.7	29.5	32.0	34.3	28.0	28.9	31.2	33.5	27.4	28.2	30.5	32.7	26.7	27.5	29.8	31.9	25.4	26.1	28.3	30.3	23.5	24.2	26.2	28.1	
	S/T	0.85	0.76	0.57	0.37	0.88	0.78	0.59	0.38	0.90	0.80	0.61	0.39	0.93	0.83	0.63	0.40	0.96	0.86	0.65	0.42	0.97	0.87	0.66	0.42	
	Delta T	20	18	15	10	20	18	15	10	20	19	15	10	20	19	15	11	20	18	15	10	19	17	14	10	
	KW	1.99	2.03	2.09	2.15	2.13	2.17	2.23	2.30	2.25	2.29	2.36	2.43	2.35	2.40	2.47	2.55	2.44	2.49	2.57	2.65	2.52	2.57	2.65	2.73	
AMPS	7.1	7.2	7.5	7.7	7.6	7.8	8.0	8.3	8.3	8.4	8.7	9.0	8.8	9.0	9.3	9.6	9.3	9.6	9.9	10.2	9.9	10.1	10.5	10.8		
HI PR	229	246	260	271	257	276	291	304	292	314	331	346	332	358	378	394	374	402	425	443	413	444	469	489		
LO PR	111	118	128	137	117	124	136	145	121	129	141	150	128	136	148	158	134	142	155	165	138	147	161	171		

NOTE: Shaded area is ACOA (TVA) conditions

* Entering Indoor Dry Bulb Temperature

COOLING PERFORMANCE DATA

ASX140301B* / C*

EXPANDED PERFORMANCE DATA

EXPANDED PERFORMANCE DATA

MODEL: ASX140301B*/CA*F3642*6C*

IDB*	Airflow	Outdoor Ambient Temperature												115												
		65				75				85					95				105							
		59	63	67	71	59	63	67	71	59	63	67	71		59	63	67	71	59	63	67	71				
80	875	MBh	26.2	26.7	28.6	30.5	25.6	26.1	27.9	29.8	25.0	25.5	27.2	29.1	24.3	24.9	26.6	28.4	23.1	23.6	25.3	27.0	21.4	21.9	23.4	25.0
		S/T	0.85	0.80	0.65	0.49	0.88	0.83	0.68	0.50	0.91	0.85	0.69	0.52	0.94	0.88	0.71	0.53	0.97	0.91	0.74	0.55	0.98	0.92	0.75	0.56
		Delta T	23	22	20	16	24	23	20	16	24	23	20	16	24	23	20	16	24	23	20	16	22	21	18	15
		KW	1.95	1.99	2.04	2.10	2.08	2.12	2.18	2.25	2.20	2.24	2.31	2.38	2.30	2.35	2.42	2.49	2.39	2.44	2.51	2.58	2.46	2.51	2.59	2.67
		AMPS	6.9	7.1	7.3	7.5	7.4	7.6	7.8	8.1	8.0	8.2	8.5	8.8	8.6	8.8	9.1	9.4	9.1	9.3	9.6	10.0	9.6	9.8	10.2	10.5
	1000	HIPR	222	239	252	263	249	268	283	295	283	305	322	335	322	347	366	382	363	390	412	430	401	431	455	475
		LO PR	107	114	125	133	113	121	132	140	118	125	137	146	124	132	144	153	130	138	151	160	134	143	156	166
		MBh	28.4	29.0	31.0	33.1	27.7	28.3	30.2	32.3	27.0	27.6	29.5	31.6	26.4	27.0	28.8	30.8	25.1	25.6	27.4	29.2	23.2	23.7	25.3	27.1
		S/T	0.88	0.83	0.68	0.50	0.92	0.86	0.70	0.52	0.94	0.88	0.72	0.54	0.97	0.91	0.74	0.55	1.00	0.94	0.77	0.57	1.00	0.95	0.78	0.58
		Delta T	23	22	19	15	23	22	19	16	23	22	19	16	24	23	20	16	23	22	19	15	21	21	18	14
85	875	KW	1.99	2.03	2.09	2.15	2.13	2.17	2.23	2.30	2.25	2.29	2.36	2.43	2.35	2.40	2.47	2.55	2.44	2.49	2.57	2.65	2.52	2.57	2.65	2.73
		AMPS	7.1	7.2	7.5	7.7	7.6	7.8	8.0	8.3	8.3	8.4	8.7	9.0	8.8	9.0	9.3	9.6	9.3	9.6	9.9	10.2	9.9	10.1	10.5	10.8
		HIPR	229	246	260	271	257	276	292	304	292	314	332	346	332	358	378	394	374	402	425	443	413	444	469	490
		LO PR	111	118	128	137	117	124	136	145	121	129	141	150	128	136	148	158	134	142	155	165	138	147	161	171
		MBh	29.2	29.8	31.9	34.1	28.5	29.2	31.1	33.3	27.9	28.5	30.4	32.5	27.2	27.8	29.7	31.7	25.8	26.4	28.2	30.1	23.9	24.4	26.1	27.9
	1125	S/T	0.93	0.87	0.71	0.53	0.96	0.90	0.73	0.55	1.00	0.92	0.75	0.56	1.00	0.95	0.78	0.58	1.00	1.00	0.81	0.60	1.00	1.00	0.81	0.61
		Delta T	22	21	18	15	22	21	19	15	23	22	19	15	22	22	19	15	21	22	19	15	20	20	17	14
		KW	2.01	2.05	2.10	2.16	2.14	2.19	2.25	2.31	2.26	2.31	2.38	2.45	2.37	2.42	2.49	2.57	2.46	2.51	2.59	2.67	2.54	2.59	2.67	2.75
		AMPS	7.1	7.3	7.5	7.8	7.7	7.9	8.1	8.4	8.3	8.5	8.8	9.1	8.9	9.1	9.4	9.7	9.4	9.7	10.0	10.3	10.0	10.2	10.5	10.9
		HIPR	231	248	262	274	259	279	294	307	295	317	335	349	336	361	381	398	378	406	429	447	417	449	474	494
LO PR	112	119	130	138	118	126	137	146	123	131	142	152	129	137	150	159	135	144	157	167	140	149	162	173		

85	875	MBh	26.6	27.1	28.4	30.3	26.0	26.5	27.8	29.6	25.4	25.9	27.1	28.9	24.8	25.3	26.4	28.2	23.5	24.0	25.1	26.8	21.8	22.2	23.3	24.8
		S/T	0.89	0.86	0.78	0.63	0.93	0.89	0.81	0.65	0.95	0.92	0.83	0.67	0.98	0.95	0.85	0.69	1.00	0.98	0.89	0.72	1.00	0.99	0.89	0.73
		Delta T	25	25	23	20	25	25	24	20	25	25	24	20	26	25	24	21	25	25	23	20	23	23	22	19
		KW	1.97	2.00	2.06	2.12	2.10	2.14	2.20	2.26	2.21	2.26	2.32	2.39	2.32	2.36	2.43	2.51	2.41	2.45	2.53	2.60	2.48	2.53	2.61	2.69
		AMPS	7.0	7.1	7.3	7.6	7.5	7.7	7.9	8.2	8.1	8.3	8.6	8.9	8.6	8.8	9.1	9.5	9.2	9.4	9.7	10.1	9.7	9.9	10.3	10.6
	1000	HIPR	224	241	255	265	251	270	286	298	286	308	325	339	326	350	370	386	366	394	416	434	405	435	460	480
		LO PR	108	115	126	134	115	122	133	142	119	127	138	147	125	133	145	155	131	139	152	162	136	144	157	168
		MBh	28.9	29.4	30.8	32.9	28.2	28.7	30.1	32.1	27.5	28.0	29.4	31.3	26.8	27.4	28.7	30.6	25.5	26.0	27.2	29.0	23.6	24.1	25.2	26.9
		S/T	0.93	0.90	0.81	0.66	0.96	0.93	0.84	0.68	0.99	0.95	0.86	0.70	1.00	0.98	0.89	0.72	1.00	1.00	0.92	0.75	1.00	1.00	0.93	0.75
		Delta T	25	24	23	20	25	25	23	20	25	25	23	20	25	25	23	20	23	24	23	20	22	22	22	19
1125	KW	2.01	2.05	2.10	2.16	2.14	2.19	2.25	2.31	2.26	2.31	2.38	2.45	2.37	2.42	2.49	2.57	2.46	2.51	2.59	2.67	2.54	2.59	2.67	2.75	
	AMPS	7.1	7.3	7.5	7.8	7.7	7.9	8.1	8.4	8.3	8.5	8.8	9.1	8.9	9.1	9.4	9.7	9.4	9.7	10.0	10.3	10.0	10.2	10.5	10.9	
	HIPR	231	248	262	274	259	279	294	307	295	317	335	349	336	361	381	398	378	406	429	447	417	449	474	494	
	LO PR	112	119	130	138	118	126	137	146	123	131	142	152	129	137	150	159	135	144	157	167	140	149	162	173	
	MBh	29.7	30.3	31.7	33.9	29.0	29.6	31.0	33.1	28.3	28.9	30.3	32.3	27.6	28.2	29.5	31.5	26.3	26.8	28.0	29.9	24.3	24.8	26.0	27.7	
S/T	0.97	0.94	0.85	0.69	1.00	0.97	0.88	0.71	1.00	1.00	0.90	0.73	1.00	1.00	0.93	0.75	1.00	1.00	0.96	0.78	1.00	1.00	0.97	0.79		
Delta T	24	23	22	19	24	24	22	19	23	23	24	22	19	23	23	22	19	21	22	22	19	20	20	21	18	
KW	2.02	2.06	2.12	2.18	2.16	2.20	2.26	2.33	2.28	2.33	2.39	2.47	2.39	2.44	2.51	2.59	2.48	2.53	2.61	2.69	2.56	2.61	2.69	2.78		
AMPS	7.2	7.4	7.6	7.9	7.8	7.9	8.2	8.5	8.4	8.6	8.9	9.2	9.0	9.2	9.5	9.8	9.5	9.7	10.1	10.4	10.1	10.3	10.6	11.0		
HIPR	233	251	265	276	262	282	297	310	298	320	338	353	339	365	385	402	381	410	433	452	421	453	479	499		
LO PR	113	120	131	140	119	127	138	147	124	132	144	153	130	138	151	161	136	145	158	169	141	150	164	175		

NOTE: Shaded area is AHRI Rating Conditions

* Entering Indoor Dry Bulb Temperature

COOLING PERFORMANCE DATA

ASX140361A*

EXPANDED PERFORMANCE DATA

COOLING OPERATION

MODEL: ASX140361A* / CA*F3642C6A* / .067 Orifice

IDB* Airflow		Outdoor Ambient Temperature																								
		65				75				85				95				105				115				
		59	63	67	71	59	63	67	71	59	63	67	71	59	63	67	71	59	63	67	71	59	63	67	71	
70	1300	MBh	33.9	35.1	38.5	-	33.1	34.3	37.6	-	32.3	33.5	36.7	-	31.5	32.7	35.8	-	30.0	31.1	34.0	-	27.8	28.8	31.5	-
		S/T	0.72	0.60	0.41	-	0.74	0.62	0.43	-	0.76	0.64	0.44	-	0.79	0.66	0.46	-	0.82	0.68	0.47	-	0.82	0.69	0.48	-
		Delta T	17	15	11	-	17	15	11	-	17	15	11	-	18	15	12	-	17	15	11	-	16	14	11	-
		KW	2.40	2.45	2.52	-	2.57	2.62	2.70	-	2.72	2.77	2.85	-	2.85	2.91	2.99	-	2.96	3.02	3.11	-	3.05	3.12	3.22	-
		AMPS	8.4	8.6	8.9	-	9.1	9.3	9.6	-	9.9	10.1	10.4	-	10.5	10.8	11.1	-	11.2	11.4	11.8	-	11.8	12.1	12.5	-
		HIPR	241	260	263	-	273	293	298	-	310	334	338	-	354	380	386	-	382	411	416	-	453	487	493	-
	1150	LO PR	120	124	135	-	123	127	139	-	127	131	144	-	131	135	147	-	133	138	150	-	137	141	154	-
		MBh	32.9	34.1	37.4	-	32.2	33.3	36.5	-	31.4	32.5	35.6	-	30.6	31.7	34.8	-	29.1	30.2	33.0	-	26.9	27.9	30.6	-
		S/T	0.68	0.57	0.40	-	0.71	0.59	0.41	-	0.73	0.61	0.42	-	0.75	0.63	0.43	-	0.78	0.65	0.45	-	0.79	0.66	0.45	-
		Delta T	18	16	12	-	18	16	12	-	18	16	12	-	18	16	12	-	18	16	12	-	17	15	11	-
		KW	2.38	2.43	2.50	-	2.55	2.60	2.68	-	2.70	2.75	2.83	-	2.83	2.88	2.97	-	2.94	3.00	3.09	-	3.03	3.09	3.19	-
		AMPS	8.4	8.6	8.8	-	9.0	9.2	9.5	-	9.8	10.0	10.3	-	10.4	10.7	11.0	-	11.1	11.3	11.7	-	11.7	12.0	12.4	-
1000	HIPR	239	257	261	-	270	291	295	-	307	330	335	-	350	376	382	-	378	406	412	-	448	482	489	-	
	LO PR	119	122	133	-	122	126	137	-	126	130	142	-	130	134	146	-	132	136	149	-	135	140	152	-	
	MBh	30.4	31.5	34.5	-	29.7	30.8	33.7	-	29.0	30.0	32.9	-	28.3	29.3	32.1	-	26.9	27.8	30.5	-	24.9	25.8	28.2	-	
	S/T	0.66	0.55	0.38	-	0.68	0.57	0.40	-	0.70	0.59	0.41	-	0.72	0.60	0.42	-	0.75	0.63	0.43	-	0.76	0.63	0.44	-	
	Delta T	18	16	12	-	19	16	12	-	19	16	12	-	19	16	12	-	19	16	12	-	17	15	11	-	
	KW	2.37	2.41	2.48	-	2.53	2.58	2.66	-	2.68	2.73	2.81	-	2.80	2.86	2.95	-	2.91	2.97	3.06	-	3.01	3.07	3.16	-	
75	1300	MBh	34.5	35.5	38.4	41.2	33.7	34.7	37.5	40.3	32.9	33.8	36.6	39.3	32.1	33.0	35.7	38.4	30.5	31.4	34.0	36.4	28.2	29.1	31.5	33.8
		S/T	0.81	0.73	0.55	0.35	0.84	0.76	0.57	0.37	0.87	0.77	0.59	0.38	0.89	0.80	0.61	0.39	0.93	0.83	0.63	0.40	0.94	0.84	0.63	0.41
		Delta T	20	18	15	10	20	19	15	10	20	19	15	10	20	19	15	11	20	18	15	10	19	17	14	10
		KW	2.40	2.45	2.52	2.59	2.57	2.62	2.70	2.78	2.72	2.77	2.85	2.94	2.85	2.91	2.99	3.09	2.96	3.02	3.11	3.21	3.05	3.12	3.22	3.32
		AMPS	8.4	8.6	8.9	9.2	9.1	9.3	9.6	9.9	9.9	10.1	10.4	10.8	10.5	10.8	11.1	11.5	11.2	11.4	11.8	12.2	11.8	12.1	12.5	13.0
		HIPR	241	260	263	269	273	293	298	304	310	334	338	346	354	380	386	394	382	411	416	426	453	487	493	504
	1150	LO PR	120	124	135	144	123	127	139	148	127	131	144	153	131	135	147	157	133	138	150	160	137	141	154	164
		MBh	33.5	34.5	37.3	40.0	32.7	33.7	36.4	39.1	31.9	32.9	35.6	38.2	31.1	32.1	34.7	37.2	29.6	30.5	33.0	35.4	27.4	28.2	30.5	32.8
		S/T	0.78	0.70	0.53	0.34	0.81	0.72	0.55	0.35	0.83	0.74	0.56	0.36	0.85	0.76	0.58	0.37	0.88	0.79	0.60	0.39	0.89	0.80	0.60	0.39
		Delta T	21	19	16	11	21	19	16	11	21	19	16	11	21	20	16	11	21	19	16	11	20	18	15	10
		KW	2.38	2.43	2.50	2.57	2.55	2.60	2.68	2.76	2.70	2.75	2.83	2.92	2.83	2.88	2.97	3.06	2.94	3.00	3.09	3.19	3.03	3.09	3.19	3.29
		AMPS	8.4	8.6	8.8	9.1	9.0	9.2	9.5	9.9	9.8	10.0	10.3	10.7	10.4	10.7	11.0	11.4	11.1	11.3	11.7	12.1	11.7	12.0	12.4	12.8
1000	HIPR	239	257	261	266	270	291	295	301	307	330	335	343	350	376	382	390	378	406	412	421	448	482	489	499	
	LO PR	119	122	133	142	122	126	137	146	126	130	142	151	130	134	146	155	132	136	149	158	135	140	152	162	
	MBh	30.9	31.8	34.4	37.0	30.2	31.1	33.6	36.1	29.5	30.3	32.8	35.2	28.7	29.6	32.0	34.4	27.3	28.1	30.4	32.7	25.3	26.0	28.2	30.3	
	S/T	0.75	0.67	0.51	0.33	0.78	0.69	0.53	0.34	0.80	0.71	0.54	0.35	0.82	0.74	0.56	0.36	0.85	0.76	0.58	0.37	0.86	0.77	0.58	0.37	
	Delta T	21	20	16	11	22	20	16	11	22	20	16	11	22	20	16	11	21	20	16	11	20	18	15	10	
	KW	2.37	2.41	2.48	2.55	2.53	2.58	2.66	2.74	2.68	2.73	2.81	2.90	2.80	2.86	2.95	3.04	2.91	2.97	3.06	3.16	3.01	3.07	3.16	3.27	
AMPS	8.3	8.5	8.7	9.1	8.9	9.1	9.4	9.8	9.7	9.9	10.2	10.6	10.3	10.6	10.9	11.3	11.0	11.2	11.6	12.0	11.6	11.9	12.3	12.7		
1000	HIPR	237	254	258	264	268	288	292	298	304	327	332	339	347	373	378	386	374	402	408	417	444	477	484	494	
	LO PR	117	121	132	141	121	125	136	145	125	129	141	150	128	132	144	154	131	135	147	157	134	138	151	161	

NOTE: Shaded area is A.CCA (TVA) conditions

* Entering Indoor Dry Bulb Temperature

COOLING PERFORMANCE DATA

ASX140361A*

EXPANDED PERFORMANCE DATA

EXPANDED PERFORMANCE DATA

MODEL: ASX140361A* / CA*F3642C6A* / .067 Orifice

IDB*	Airflow	Outdoor Ambient Temperature																																			
		65						75						85						95						105						115					
		59	63	67	71	75	79	59	63	67	71	75	79	59	63	67	71	75	79	59	63	67	71	75	79	59	63	67	71	75	79						
80	1300	MBh	35.1	35.9	38.3	41.0	34.3	35.0	37.4	40.0	33.5	34.2	36.5	39.0	32.6	33.4	35.6	38.1	31.0	31.7	33.9	36.2	28.7	29.4	31.4	33.5											
		S/T	0.89	0.84	0.68	0.51	0.93	0.87	0.71	0.53	0.95	0.89	0.73	0.54	1.00	0.92	0.75	0.56	1.00	0.95	0.78	0.58	1.00	0.96	0.78	0.59											
		Delta T	22	21	18	15	22	22	19	15	22	22	19	15	23	22	19	15	22	21	19	15	20	20	17	14											
		KW	2.40	2.45	2.52	2.59	2.57	2.62	2.70	2.78	2.72	2.77	2.85	2.94	2.85	2.91	2.99	3.09	3.09	2.96	3.02	3.11	3.21	3.05	3.12	3.22	3.32										
		AMPS	8.4	8.6	8.9	9.2	9.1	9.3	9.6	9.9	9.9	10.1	10.4	10.8	10.5	10.8	11.1	11.5	11.2	11.4	11.8	12.2	11.8	12.1	12.5	13.0											
	1150	HI PR	241	260	263	269	273	293	298	304	310	334	338	346	354	380	386	394	382	411	416	426	453	487	493	504											
		LO PR	120	124	135	144	123	127	139	148	127	131	144	153	131	135	147	157	133	138	150	160	137	141	154	164											
		MBh	34.1	34.8	37.2	39.8	33.3	34.0	36.3	38.8	32.5	33.2	35.5	37.9	31.7	32.4	34.6	37.0	30.1	30.8	32.9	35.1	27.9	28.5	30.4	32.5											
		S/T	0.85	0.80	0.65	0.49	0.88	0.83	0.67	0.50	0.91	0.85	0.69	0.52	0.94	0.88	0.71	0.53	0.97	0.91	0.74	0.55	0.98	0.92	0.75	0.56											
		Delta T	23	22	19	15	24	23	20	16	24	23	20	16	24	23	20	16	23	22	19	16	22	21	18	15											
1000	KW	2.38	2.43	2.50	2.57	2.55	2.60	2.68	2.76	2.70	2.75	2.83	2.92	2.83	2.88	2.97	3.06	2.94	3.00	3.09	3.19	3.03	3.09	3.19	3.29												
	AMPS	8.4	8.6	8.8	9.1	9.0	9.2	9.5	9.9	9.8	10.0	10.3	10.7	10.4	10.7	11.0	11.4	11.1	11.3	11.7	12.1	11.7	12.0	12.4	12.8												
	HI PR	239	257	261	266	270	291	295	301	307	330	335	343	350	376	382	390	378	406	412	421	448	482	489	499												
	LO PR	119	122	133	142	122	126	137	146	126	130	142	151	130	134	146	155	132	136	149	158	135	140	152	162												
	MBh	31.4	32.1	34.3	36.7	30.7	31.4	33.5	35.8	30.0	30.6	32.7	35.0	29.3	29.9	31.9	34.1	27.8	28.4	30.3	32.4	25.7	26.3	28.1	30.0												

IDB*	Airflow	Outdoor Ambient Temperature																																			
		65						75						85						95						105						115					
		59	63	67	71	75	79	59	63	67	71	75	79	59	63	67	71	75	79	59	63	67	71	75	79	59	63	67	71	75	79						
85	1300	MBh	35.7	36.4	38.1	40.7	34.9	35.6	37.2	39.7	34.0	34.7	36.3	38.8	33.2	33.9	35.5	37.8	31.6	32.2	33.7	35.9	29.2	29.8	31.2	33.3											
		S/T	0.94	0.90	0.82	0.66	0.97	0.94	0.85	0.69	1.00	0.96	0.87	0.70	1.00	0.99	0.90	0.73	1.00	1.00	0.93	0.75	1.00	1.00	0.94	0.76											
		Delta T	24	23	22	19	24	24	22	19	24	24	22	19	23	24	22	19	22	23	22	19	21	21	18	18											
		KW	2.40	2.45	2.52	2.59	2.57	2.62	2.70	2.78	2.72	2.77	2.85	2.94	2.85	2.91	2.99	3.09	2.96	3.02	3.11	3.21	3.05	3.12	3.22	3.32											
		AMPS	8.4	8.6	8.9	9.2	9.1	9.3	9.6	9.9	9.9	10.1	10.4	10.8	10.5	10.8	11.1	11.5	11.2	11.4	11.8	12.2	11.8	12.1	12.5	13.0											
	1150	HI PR	241	260	263	269	273	293	298	304	310	334	338	346	354	380	386	394	382	411	416	426	453	487	493	504											
		LO PR	120	124	135	144	123	127	139	148	127	131	144	153	131	135	147	157	133	138	150	160	137	141	154	164											
		MBh	34.7	35.3	37.0	39.5	33.9	34.5	36.1	38.6	33.1	33.7	35.3	37.6	32.2	32.9	34.4	36.7	30.6	31.2	32.7	34.9	28.4	28.9	30.3	32.3											
		S/T	0.89	0.86	0.78	0.63	0.93	0.89	0.81	0.65	0.95	0.92	0.83	0.67	0.98	0.95	0.85	0.69	1.00	0.98	0.89	0.72	1.00	0.99	0.89	0.72											
		Delta T	25	24	23	20	25	25	23	20	25	25	23	20	25	25	23	20	25	24	25	23	20	23	23	22	19										
1000	KW	2.38	2.43	2.50	2.57	2.55	2.60	2.68	2.76	2.70	2.75	2.83	2.92	2.83	2.88	2.97	3.06	2.94	3.00	3.09	3.19	3.03	3.09	3.19	3.29												
	AMPS	8.4	8.6	8.8	9.1	9.0	9.2	9.5	9.9	9.8	10.0	10.3	10.7	10.4	10.7	11.0	11.4	11.1	11.3	11.7	12.1	11.7	12.0	12.4	12.8												
	HI PR	239	257	261	266	270	291	295	301	307	330	335	343	350	376	382	390	378	406	412	421	448	482	489	499												
	LO PR	119	122	133	142	122	126	137	146	126	130	142	151	130	134	146	155	132	136	149	158	135	140	152	162												
	MBh	32.0	32.6	34.2	36.4	31.3	31.9	33.4	35.6	30.5	31.1	32.6	34.7	29.8	30.3	31.8	33.9	28.3	28.8	30.2	32.2	26.2	26.7	28.0	29.8												

NOTE: Shaded area is ARI Rating Conditions

* Entering Indoor Dry Bulb Temperature

COOLING PERFORMANCE DATA

ASX140361B* / C*

EXPANDED PERFORMANCE DATA

COOLING OPERATION

MODEL: ASX140361B*/CA*F3642*6C*

IDB* Airflow	Outdoor Ambient Temperature																								
	65				75				85				95				105				115				
	59	63	67	71	59	63	67	71	59	63	67	71	59	63	67	71	59	63	67	71	59	63	67	71	
1050	MBh	30.4	31.5	34.5	-	29.7	30.8	33.7	-	29.0	30.0	32.9	-	28.3	29.3	32.1	-	26.9	27.8	30.5	-	24.9	25.8	28.2	-
	S/T	0.68	0.57	0.39	-	0.71	0.59	0.41	-	0.72	0.61	0.42	-	0.75	0.62	0.43	-	0.78	0.65	0.45	-	0.78	0.65	0.45	-
	Delta T	18	16	12	-	18	16	12	-	18	16	12	-	19	16	12	-	18	16	12	-	17	15	11	-
	KW	2.17	2.21	2.28	-	2.33	2.38	2.46	-	2.48	2.54	2.62	-	2.61	2.67	2.76	-	2.73	2.79	2.88	-	2.82	2.89	2.98	-
	AMPS	7.6	7.8	8.0	-	8.2	8.4	8.6	-	8.9	9.1	9.4	-	9.5	9.7	10.0	-	10.1	10.3	10.7	-	10.7	10.9	11.3	-
	HI PR	218	235	248	-	245	264	279	-	279	300	317	-	318	342	361	-	357	384	406	-	395	425	449	-
	LO PR	103	109	119	-	108	115	126	-	113	120	131	-	118	126	137	-	124	132	144	-	128	136	149	-
	MBh	32.9	34.1	37.4	-	32.2	33.3	36.5	-	31.4	32.5	35.6	-	30.6	31.7	34.8	-	29.1	30.2	33.0	-	26.9	27.9	30.6	-
	S/T	0.71	0.59	0.41	-	0.73	0.61	0.42	-	0.75	0.63	0.43	-	0.78	0.65	0.45	-	0.80	0.67	0.47	-	0.81	0.68	0.47	-
	Delta T	18	15	12	-	18	16	12	-	18	16	12	-	18	16	12	-	18	16	12	-	17	15	11	-
1200	KW	2.22	2.27	2.34	-	2.39	2.45	2.53	-	2.55	2.60	2.69	-	2.68	2.74	2.83	-	2.80	2.86	2.96	-	2.90	2.96	3.06	-
	AMPS	7.8	8.0	8.2	-	8.4	8.6	8.9	-	9.1	9.3	9.6	-	9.7	10.0	10.3	-	10.4	10.6	11.0	-	11.0	11.2	11.6	-
	HI PR	225	242	256	-	253	272	287	-	287	309	327	-	327	352	372	-	368	396	419	-	407	438	462	-
	LO PR	106	113	123	-	112	119	130	-	116	124	135	-	122	130	142	-	128	136	149	-	132	141	154	-
	MBh	33.9	35.1	38.5	-	33.1	34.3	37.6	-	32.3	33.5	36.7	-	31.5	32.7	35.8	-	30.0	31.1	34.0	-	27.8	28.8	31.5	-
	S/T	0.74	0.62	0.43	-	0.77	0.64	0.44	-	0.79	0.66	0.46	-	0.81	0.68	0.47	-	0.84	0.70	0.49	-	0.85	0.71	0.49	-
	Delta T	17	15	11	-	17	15	11	-	17	15	11	-	17	15	11	-	17	15	11	-	16	14	11	-
	KW	2.24	2.29	2.36	-	2.41	2.47	2.55	-	2.57	2.63	2.71	-	2.70	2.77	2.86	-	2.82	2.89	2.98	-	2.92	2.99	3.09	-
	AMPS	7.9	8.0	8.3	-	8.5	8.7	9.0	-	9.2	9.4	9.7	-	9.8	10.1	10.4	-	10.5	10.7	11.1	-	11.1	11.3	11.7	-
	HI PR	227	245	259	-	255	275	290	-	290	312	330	-	331	356	376	-	372	400	423	-	411	442	467	-
LO PR	107	114	124	-	113	120	131	-	117	125	136	-	123	131	143	-	129	137	150	-	134	142	155	-	
1350	MBh	30.9	31.8	34.4	37.0	30.2	31.1	33.6	36.1	29.5	30.3	32.8	35.2	28.7	29.6	32.0	34.4	27.3	28.1	30.4	32.7	25.3	26.0	28.2	30.3
	S/T	0.77	0.69	0.52	0.34	0.80	0.72	0.54	0.35	0.82	0.74	0.56	0.36	0.85	0.76	0.58	0.37	0.88	0.79	0.60	0.38	0.89	0.80	0.60	0.39
	Delta T	21	19	16	11	21	20	16	11	21	20	16	11	21	20	16	11	21	19	16	11	20	18	15	10
	KW	2.18	2.23	2.30	2.38	2.35	2.41	2.48	2.57	2.50	2.56	2.64	2.73	2.64	2.70	2.79	2.88	2.75	2.81	2.91	3.01	2.85	2.91	3.01	3.11
	AMPS	7.7	7.8	8.1	8.4	8.3	8.5	8.7	9.0	9.0	9.2	9.5	9.8	9.6	9.8	10.1	10.5	10.2	10.4	10.8	11.2	10.8	11.0	11.4	11.8
	HI PR	221	238	251	262	248	267	281	294	282	303	320	334	321	345	365	380	361	388	410	428	399	429	453	473
	LO PR	104	110	120	128	110	117	127	135	114	121	132	141	120	127	139	148	125	133	146	155	130	138	151	160
	MBh	33.5	34.5	37.3	40.0	32.7	33.7	36.4	39.1	31.9	32.9	35.6	38.2	31.1	32.1	34.7	37.2	29.6	30.5	33.0	35.4	27.4	28.2	30.5	32.8
	S/T	0.80	0.72	0.54	0.35	0.83	0.74	0.56	0.36	0.85	0.76	0.58	0.37	0.88	0.79	0.60	0.38	0.91	0.82	0.62	0.40	0.92	0.83	0.62	0.40
	Delta T	21	19	16	11	21	19	16	11	21	19	16	11	21	19	16	11	21	19	16	11	19	18	15	10
1200	KW	2.24	2.29	2.36	2.44	2.41	2.47	2.55	2.63	2.57	2.63	2.71	2.80	2.71	2.77	2.86	2.96	2.82	2.89	2.98	3.09	2.92	2.99	3.09	3.20
	AMPS	7.9	8.0	8.3	8.6	8.5	8.7	9.0	9.3	9.2	9.4	9.7	10.1	9.8	10.1	10.4	10.8	10.5	10.7	11.1	11.5	11.1	11.3	11.7	12.2
	HI PR	228	245	259	270	255	275	290	303	290	312	330	344	331	356	376	392	372	400	423	441	411	442	467	487
	LO PR	107	114	124	132	113	120	131	140	117	125	136	145	123	131	143	152	129	137	150	160	134	142	155	165
	MBh	34.5	35.5	38.4	41.2	33.7	34.7	37.5	40.3	32.9	33.8	36.6	39.3	32.1	33.0	35.7	38.4	30.5	31.4	34.0	36.4	28.2	29.1	31.5	33.8
	S/T	0.84	0.75	0.57	0.37	0.87	0.78	0.59	0.38	0.90	0.80	0.61	0.39	0.92	0.83	0.63	0.40	0.96	0.86	0.65	0.42	0.97	0.87	0.65	0.42
	Delta T	20	18	15	10	20	18	15	10	20	18	15	10	20	19	15	11	20	18	15	10	19	17	14	10
	KW	2.26	2.30	2.38	2.46	2.43	2.49	2.57	2.65	2.59	2.65	2.74	2.83	2.73	2.79	2.88	2.98	2.85	2.91	3.01	3.11	2.95	3.01	3.12	3.22
	AMPS	7.9	8.1	8.4	8.7	8.6	8.8	9.0	9.4	9.3	9.5	9.8	10.2	9.9	10.2	10.5	10.9	10.6	10.8	11.2	11.6	11.2	11.5	11.8	12.3
	HI PR	230	247	261	272	258	277	293	306	293	316	333	348	334	359	380	396	376	404	427	445	415	447	472	492
LO PR	108	115	125	134	114	121	132	141	119	126	138	147	124	132	145	154	130	139	152	161	135	144	157	167	

* Entering Indoor Dry Bulb Temperature

NOTE: Shaded area is ACCA (TVA) conditions

KW=Total system power

AMPS=outdoor unit amps (comp.+fan)

COOLING PERFORMANCE DATA

ASX140361B* / C*

EXPANDED PERFORMANCE DATA

EXPANDED PERFORMANCE DATA

EXPANDED PERFORMANCE DATA

MODEL: ASX140361B*/CA*F3642*6C*

IDB* Airflow	Outdoor Ambient Temperature																								
	65				75				85				95												
	59	63	67	71	59	63	67	71	59	63	67	71	59	63	67	71									
1050	MBh	31.4	32.1	34.3	36.7	30.7	31.4	33.5	35.8	30.0	30.6	32.7	35.0	29.3	29.9	31.9	34.1	27.8	28.4	30.3	32.4	25.7	26.3	28.1	30.0
	S/T	0.85	0.80	0.65	0.48	0.88	0.83	0.67	0.50	0.90	0.85	0.69	0.52	0.93	0.87	0.71	0.53	0.97	0.91	0.74	0.55	0.98	0.92	0.74	0.56
	Delta T	23	22	20	16	24	23	20	16	24	23	20	16	24	23	20	16	24	23	20	16	22	21	18	15
	KW	2.20	2.25	2.32	2.40	2.37	2.43	2.50	2.59	2.53	2.58	2.67	2.76	2.66	2.72	2.81	2.90	2.77	2.84	2.93	3.03	2.87	2.94	3.04	3.14
	AMPS	7.7	7.9	8.2	8.5	8.3	8.5	8.8	9.1	9.0	9.3	9.6	9.9	9.7	9.9	10.2	10.6	10.3	10.5	10.9	11.3	10.9	11.1	11.5	11.9
	HI PR	223	240	253	264	250	269	284	296	284	306	323	337	324	349	368	384	365	392	414	432	403	433	458	477
	LO PR	105	111	122	130	111	118	128	137	115	122	134	142	121	128	140	149	127	135	147	157	131	139	152	162
	MBh	34.1	34.8	37.2	39.8	33.3	34.0	36.3	38.8	32.5	33.2	35.5	37.9	31.7	32.4	34.6	37.0	30.1	30.8	32.9	35.1	27.9	28.5	30.4	32.5
	S/T	0.88	0.83	0.67	0.50	0.91	0.86	0.70	0.52	0.94	0.88	0.71	0.53	0.97	0.91	0.74	0.55	1.00	0.94	0.77	0.57	1.00	0.95	0.77	0.58
	Delta T	23	22	19	15	23	22	19	16	23	22	19	16	23	22	19	16	23	22	19	15	21	21	18	14
1200	KW	2.26	2.30	2.38	2.46	2.43	2.49	2.57	2.65	2.59	2.65	2.74	2.83	2.73	2.79	2.88	2.98	2.85	2.91	3.01	3.11	2.95	3.01	3.12	3.22
	AMPS	7.9	8.1	8.4	8.7	8.6	8.8	9.1	9.4	9.3	9.5	9.8	10.2	9.9	10.2	10.5	10.9	10.6	10.8	11.2	11.6	11.2	11.5	11.8	12.3
	HI PR	230	247	261	272	258	278	293	306	293	316	333	348	334	359	380	396	376	404	427	445	415	447	472	492
	LO PR	108	115	125	134	114	121	132	141	119	126	138	147	125	132	145	154	130	139	152	161	135	144	157	167
	MBh	35.1	35.9	38.3	41.0	34.3	35.0	37.4	40.0	33.5	34.2	36.5	39.0	32.6	33.4	35.6	38.1	31.0	31.7	33.9	36.2	28.7	29.4	31.4	33.5
	S/T	0.92	0.87	0.71	0.53	0.96	0.90	0.73	0.55	1.00	0.92	0.75	0.56	1.00	0.95	0.77	0.58	1.00	1.00	0.80	0.60	1.00	1.00	0.81	0.61
	Delta T	22	21	18	15	22	21	19	15	23	21	19	15	22	22	19	15	22	22	19	15	20	20	17	14
	KW	2.27	2.32	2.40	2.48	2.45	2.51	2.59	2.68	2.61	2.67	2.76	2.85	2.75	2.81	2.91	3.01	2.87	2.94	3.03	3.14	2.97	3.04	3.14	3.25
	AMPS	8.0	8.2	8.5	8.8	8.6	8.8	9.1	9.5	9.4	9.6	9.9	10.3	10.0	10.3	10.6	11.0	10.7	10.9	11.3	11.7	11.3	11.6	11.9	12.4
	HI PR	232	250	264	275	260	280	296	309	296	319	337	351	337	363	383	400	380	408	431	450	419	451	477	497
LO PR	109	116	127	135	115	123	134	142	120	127	139	148	126	134	146	156	132	140	153	163	136	145	158	169	

IDB* Airflow	Outdoor Ambient Temperature																									
	65				75				85				95													
	59	63	67	71	59	63	67	71	59	63	67	71	59	63	67	71										
1050	MBh	32.0	32.6	34.2	36.4	31.3	31.9	33.4	35.6	30.5	31.1	32.6	34.7	29.8	30.3	31.8	33.9	28.3	28.8	30.2	32.2	26.2	26.7	28.0	29.8	
	S/T	0.89	0.86	0.78	0.63	0.92	0.89	0.80	0.65	0.95	0.91	0.82	0.67	0.98	0.94	0.85	0.69	1.00	0.98	0.88	0.72	1.00	0.99	0.89	0.72	
	Delta T	25	25	23	20	25	25	23	20	25	25	24	20	25	25	24	20	25	25	23	20	23	23	22	19	
	KW	2.22	2.27	2.34	2.42	2.39	2.45	2.52	2.61	2.55	2.60	2.69	2.78	2.68	2.74	2.83	2.93	2.80	2.86	2.96	3.06	2.90	2.96	3.06	3.17	
	AMPS	7.8	8.0	8.2	8.5	8.4	8.6	8.9	9.2	9.1	9.3	9.6	10.0	9.7	10.0	10.3	10.7	10.4	10.6	11.0	11.4	11.0	11.2	11.6	12.1	
	HI PR	225	242	256	267	253	272	287	299	287	309	327	341	327	352	372	388	368	396	418	436	407	438	462	482	
	LO PR	106	113	123	131	112	119	130	138	116	124	135	144	122	130	142	151	128	136	148	158	132	141	154	164	
	MBh	34.7	35.3	37.0	39.5	33.9	34.5	36.1	38.6	33.1	33.7	35.3	37.6	32.2	32.9	34.4	36.7	30.6	31.2	32.7	34.9	28.4	28.9	30.3	32.3	
	S/T	0.92	0.89	0.80	0.65	0.96	0.92	0.83	0.68	0.98	0.95	0.86	0.69	1.00	0.98	0.88	0.72	1.00	1.00	0.92	0.74	1.00	1.00	0.92	0.75	
	Delta T	25	24	23	20	25	24	23	20	25	24	23	20	25	25	23	20	23	24	23	20	22	22	21	19	
1200	KW	2.27	2.32	2.40	2.48	2.45	2.51	2.59	2.68	2.61	2.67	2.76	2.85	2.75	2.81	2.91	3.01	2.87	2.94	3.03	3.14	2.97	3.04	3.14	3.25	
	AMPS	8.0	8.2	8.5	8.8	8.6	8.8	9.1	9.5	9.4	9.6	9.9	10.3	10.0	10.3	10.6	11.0	10.7	10.9	11.3	11.7	11.3	11.6	11.9	12.4	
	HI PR	232	250	264	275	260	280	296	309	296	319	337	351	337	363	383	400	380	408	431	450	419	451	477	497	
	LO PR	109	116	127	135	115	123	134	142	120	127	139	148	126	134	146	156	132	140	153	163	136	145	158	169	
	MBh	35.7	36.4	38.1	40.7	34.9	35.6	37.2	39.7	34.0	34.7	36.3	38.8	33.2	33.9	35.5	37.8	31.6	32.2	33.7	35.9	29.2	29.8	31.2	33.3	
	S/T	0.97	0.93	0.84	0.68	1.00	0.97	0.87	0.71	1.00	0.99	0.90	0.73	1.00	1.00	0.93	0.75	1.00	1.00	0.96	0.78	1.00	1.00	0.97	0.79	
	Delta T	24	23	22	19	24	23	22	19	23	23	22	19	23	23	22	19	21	22	22	19	20	20	21	18	
	1350	KW	2.29	2.34	2.42	2.50	2.47	2.53	2.61	2.70	2.63	2.69	2.78	2.88	2.77	2.84	2.93	3.03	2.89	2.96	3.06	3.17	3.00	3.07	3.17	3.28
		AMPS	8.1	8.3	8.5	8.8	8.7	8.9	9.2	9.6	9.5	9.7	10.0	10.4	10.1	10.4	10.7	11.1	10.7	11.0	11.4	11.8	11.4	11.7	12.1	12.5
		HI PR	234	252	266	278	263	283	299	312	299	322	340	355	341	367	387	404	383	413	436	454	424	456	481	502
LO PR		110	117	128	136	116	124	135	144	121	129	140	150	127	135	148	157	133	142	155	165	138	146	160	170	

* Entering Indoor Dry Bulb Temperature

NOTE: Shaded area is AHRI Rating Conditions

KW=Total system power

AMPS=outdoor unit amps (comp.+fan)

COOLING PERFORMANCE DATA

ASX140421A*

EXPANDED PERFORMANCE DATA

EXPANDED PERFORMANCE DATA

EXPANDED PERFORMANCE DATA

MODEL: ASX140421A* / CA*F4860C6A* / .074 Orifice

IDB*	Airflow	Outdoor Ambient Temperature																								
		65				75				85				95				105				115				
		59	63	67	71	59	63	67	71	59	63	67	71	59	63	67	71	59	63	67	71	59	63	67	71	
70	1406	MBh	39.2	40.6	44.5	-	38.3	39.7	43.5	-	37.4	38.7	42.4	-	36.5	37.8	41.4	-	34.6	35.9	39.3	-	32.1	33.3	36.4	-
		S/T	0.71	0.60	0.41	-	0.74	0.62	0.43	-	0.76	0.63	0.44	-	0.78	0.65	0.45	-	0.81	0.68	0.47	-	0.82	0.68	0.47	-
		Delta T	18	16	12	-	19	16	12	-	19	16	12	-	19	16	12	-	18	16	12	-	17	15	11	-
		KW	2.71	2.77	2.85	-	2.91	2.96	3.05	-	3.07	3.13	3.23	-	3.22	3.29	3.39	-	3.35	3.42	3.52	-	3.46	3.53	3.64	-
		AMPS	9.9	10.1	10.4	-	10.6	10.9	11.2	-	11.5	11.8	12.2	-	12.3	12.6	13.0	-	13.0	13.4	13.8	-	13.8	14.1	14.6	-
		HI PR	228	245	249	-	258	277	281	-	293	315	320	-	334	359	364	-	375	404	409	-	420	452	459	-
		LO PR	118	121	133	-	121	125	137	-	125	129	141	-	129	133	145	-	131	135	148	-	134	139	151	-
		MBh	38.1	39.4	43.2	-	37.2	38.5	42.2	-	36.3	37.6	41.2	-	35.4	36.7	40.2	-	33.6	34.9	38.2	-	31.2	32.3	35.4	-
		S/T	0.68	0.57	0.39	-	0.71	0.59	0.41	-	0.72	0.60	0.42	-	0.75	0.62	0.43	-	0.78	0.65	0.45	-	0.78	0.65	0.45	-
		Delta T	19	16	13	-	19	17	13	-	19	17	13	-	19	17	13	-	19	17	13	-	18	16	12	-
70	1250	KW	2.70	2.75	2.83	-	2.88	2.94	3.03	-	3.05	3.11	3.20	-	3.20	3.26	3.36	-	3.32	3.39	3.49	-	3.43	3.50	3.61	-
		AMPS	9.8	10.0	10.3	-	10.5	10.8	11.1	-	11.4	11.7	12.1	-	12.2	12.5	12.9	-	12.9	13.2	13.7	-	13.7	14.0	14.5	-
		HI PR	226	243	246	-	255	274	278	-	290	312	316	-	330	355	360	-	372	400	405	-	416	448	454	-
		LO PR	117	120	131	-	120	124	135	-	124	128	140	-	127	131	144	-	130	134	146	-	133	137	150	-
		MBh	35.1	36.4	39.9	-	34.3	35.6	39.0	-	33.5	34.7	38.0	-	32.7	33.9	37.1	-	31.0	32.2	35.2	-	28.8	29.8	32.7	-
		S/T	0.66	0.55	0.38	-	0.68	0.57	0.39	-	0.70	0.58	0.40	-	0.72	0.60	0.42	-	0.75	0.62	0.43	-	0.75	0.63	0.44	-
		Delta T	19	17	13	-	20	17	13	-	20	17	13	-	20	17	13	-	19	17	13	-	18	16	12	-
		KW	2.68	2.73	2.81	-	2.86	2.92	3.00	-	3.03	3.09	3.18	-	3.17	3.24	3.33	-	3.30	3.36	3.47	-	3.40	3.47	3.58	-
		AMPS	9.7	9.9	10.2	-	10.4	10.7	11.0	-	11.3	11.6	11.9	-	12.1	12.3	12.7	-	12.8	13.1	13.5	-	13.6	13.9	14.3	-
		HI PR	223	240	244	-	253	272	275	-	287	309	313	-	327	352	357	-	368	396	401	-	412	443	449	-
LO PR	115	119	130	-	119	123	134	-	123	127	138	-	126	130	142	-	129	133	145	-	132	136	148	-		
75	1406	MBh	39.9	41.0	44.4	47.7	38.9	40.1	43.4	46.6	38.0	39.1	42.4	45.5	37.1	38.2	41.3	44.4	35.2	36.3	39.3	42.1	32.6	33.6	36.4	39.0
		S/T	0.81	0.73	0.55	0.35	0.84	0.75	0.57	0.37	0.86	0.77	0.58	0.38	0.89	0.80	0.60	0.39	0.92	0.83	0.63	0.40	0.93	0.83	0.63	0.41
		Delta T	21	19	16	11	21	20	16	11	21	20	16	11	22	20	16	11	21	20	16	11	20	18	15	10
		KW	2.71	2.77	2.85	2.93	2.91	2.96	3.05	3.14	3.07	3.13	3.23	3.33	3.22	3.29	3.39	3.49	3.35	3.42	3.52	3.63	3.46	3.53	3.64	3.75
		AMPS	9.9	10.1	10.4	10.8	10.6	10.9	11.2	11.6	11.5	11.8	12.2	12.6	12.3	12.6	13.0	13.5	13.0	13.4	13.8	14.3	13.8	14.1	14.6	15.1
		HI PR	228	245	249	254	258	277	281	287	293	315	320	327	334	359	364	372	375	404	409	418	420	452	459	469
		LO PR	118	121	133	141	121	125	137	145	125	129	141	150	129	133	145	154	131	135	148	157	134	139	151	161
		MBh	38.7	39.8	43.1	46.3	37.8	38.9	42.1	45.2	36.9	38.0	41.1	44.1	36.0	37.1	40.1	43.1	34.2	35.2	38.1	40.9	31.7	32.6	35.3	37.9
		S/T	0.77	0.69	0.52	0.34	0.80	0.72	0.54	0.35	0.82	0.74	0.56	0.36	0.85	0.76	0.57	0.37	0.88	0.79	0.60	0.38	0.89	0.79	0.60	0.39
		Delta T	22	20	17	11	22	21	17	12	22	21	17	12	22	21	17	12	22	20	17	12	21	19	16	11
75	1250	KW	2.70	2.75	2.83	2.91	2.88	2.94	3.03	3.12	3.05	3.11	3.20	3.30	3.20	3.26	3.36	3.47	3.32	3.39	3.49	3.60	3.43	3.50	3.61	3.72
		AMPS	9.8	10.0	10.3	10.7	10.5	10.8	11.1	11.5	11.4	11.7	12.1	12.5	12.2	12.5	12.9	13.3	12.9	13.2	13.7	14.2	13.7	14.0	14.5	15.0
		HI PR	226	243	246	251	255	274	278	284	290	312	316	323	330	355	360	368	372	400	405	414	416	448	454	464
		LO PR	117	120	131	140	120	124	135	144	124	128	140	149	127	131	144	153	130	134	146	156	133	137	150	160
		MBh	35.7	36.8	39.8	42.7	34.9	35.9	38.9	41.7	34.1	35.1	38.0	40.7	33.2	34.2	37.0	39.7	31.6	32.5	35.2	37.8	29.2	30.1	32.6	35.0
		S/T	0.75	0.67	0.51	0.32	0.77	0.69	0.52	0.34	0.79	0.71	0.54	0.35	0.82	0.73	0.55	0.36	0.85	0.76	0.58	0.37	0.86	0.77	0.58	0.37
		Delta T	22	21	17	12	23	21	17	12	23	21	17	12	23	21	17	12	23	21	17	12	21	19	16	11
		KW	2.68	2.73	2.81	2.89	2.86	2.92	3.00	3.09	3.03	3.09	3.18	3.28	3.17	3.24	3.33	3.44	3.30	3.36	3.47	3.58	3.40	3.47	3.58	3.69
		AMPS	9.7	9.9	10.2	10.6	10.4	10.7	11.0	11.4	11.3	11.6	11.9	12.4	12.1	12.3	12.7	13.2	12.8	13.1	13.5	14.0	13.6	13.9	14.3	14.9
		HI PR	223	240	244	249	253	272	275	281	287	309	313	320	327	352	357	365	368	396	401	410	412	443	449	459
LO PR	115	119	130	138	119	123	134	143	123	127	138	147	126	130	142	151	129	133	145	154	132	136	148	158		

* Entering Indoor Dry Bulb Temperature NOTE: Shaded area is ACCA (TVA) conditions

COOLING PERFORMANCE DATA

ASX140421A*

EXPANDED PERFORMANCE DATA

EXPANDED PERFORMANCE DATA

MODEL: ASX140421A* / CA*F4860C6A* / .074 Orifice

IDB*	Airflow	Outdoor Ambient Temperature																																																								
		65					75					85					95					105					115																															
		59	63	67	71	75	59	63	67	71	75	59	63	67	71	75	59	63	67	71	75	59	63	67	71	75	59	63	67	71	75																											
80	1406	MBh	40.6	41.5	44.3	47.3	39.6	40.5	43.3	46.2	38.7	39.5	42.2	45.1	37.7	38.6	41.2	44.0	35.9	36.6	39.1	41.8	33.2	33.9	36.3	38.8	35.9	36.6	39.1	41.8	33.2	33.9	36.3	38.8	35.9	36.6	39.1	41.8	33.2	33.9	36.3	38.8	35.9	36.6	39.1	41.8	33.2	33.9	36.3	38.8	35.9	36.6	39.1	41.8	33.2	33.9	36.3	38.8
		S/T	0.89	0.83	0.68	0.51	0.92	0.86	0.70	0.53	0.95	0.89	0.72	0.54	1.00	0.92	0.75	0.56	1.00	0.95	0.77	0.58	1.00	0.96	0.78	0.58	0.95	0.89	0.72	0.54	1.00	0.92	0.75	0.56	0.95	0.89	0.72	0.54	1.00	0.92	0.75	0.56	0.95	0.89	0.72	0.54	1.00	0.92	0.75	0.56	0.95	0.89	0.72	0.54	1.00	0.92	0.75	0.56
		Delta T	24	23	20	16	24	23	20	16	24	23	20	16	25	23	20	16	23	23	20	16	22	21	18	15	24	23	20	16	25	23	20	16	24	23	20	16	25	23	20	16	24	23	20	16	25	23	20	16	24	23	20	16	25	23	20	16
		KW	2.71	2.77	2.85	2.93	2.91	2.96	3.05	3.14	3.07	3.13	3.23	3.33	3.22	3.29	3.39	3.49	3.35	3.42	3.52	3.63	3.46	3.53	3.64	3.75	3.07	3.13	3.23	3.33	3.22	3.29	3.39	3.49	3.35	3.42	3.52	3.63	3.46	3.53	3.64	3.75	3.35	3.42	3.52	3.63	3.46	3.53	3.64	3.75	3.35	3.42	3.52	3.63	3.46	3.53	3.64	3.75
		AMPS	9.9	10.1	10.4	10.8	10.6	10.9	11.2	11.6	11.5	11.8	12.2	12.6	12.3	12.6	13.0	13.5	13.0	13.4	13.8	14.3	13.8	14.1	14.6	15.1	11.5	11.8	12.2	12.6	12.3	12.6	13.0	13.5	13.0	13.4	13.8	14.3	13.8	14.1	14.6	15.1	13.0	13.4	13.8	14.3	13.8	14.1	14.6	15.1	13.0	13.4	13.8	14.3	13.8	14.1	14.6	15.1
		HI PR	228	245	249	254	258	277	281	287	293	315	320	327	334	359	364	372	375	404	409	418	420	452	459	469	293	315	320	327	334	359	364	372	375	404	409	418	420	452	459	469	375	404	409	418	420	452	459	469	375	404	409	418	420	452	459	469
		LO PR	118	121	133	141	121	125	137	145	125	129	141	150	129	133	145	154	131	135	148	157	134	139	151	161	125	129	141	150	129	133	145	154	131	135	148	157	134	139	151	161	131	135	148	157	134	139	151	161	131	135	148	157	134	139	151	161
		MBh	39.4	40.2	43.0	46.0	38.5	39.3	42.0	44.9	37.6	38.4	41.0	43.8	36.6	37.4	40.0	42.8	34.8	35.6	38.0	40.6	32.2	32.9	35.2	37.6	37.6	38.4	41.0	43.8	36.6	37.4	40.0	42.8	34.8	35.6	38.0	40.6	32.2	32.9	35.2	37.6	34.8	35.6	38.0	40.6	32.2	32.9	35.2	37.6								
		S/T	0.85	0.80	0.65	0.48	0.88	0.82	0.67	0.50	0.90	0.85	0.69	0.51	0.93	0.87	0.71	0.53	0.97	0.91	0.74	0.55	0.97	0.91	0.74	0.56	0.90	0.85	0.69	0.51	0.93	0.87	0.71	0.53	0.97	0.91	0.74	0.55	0.97	0.91	0.74	0.56	0.97	0.91	0.74	0.55	0.97	0.91	0.74	0.56								
		Delta T	25	24	20	16	25	24	21	17	25	24	21	17	25	24	21	17	25	24	21	16	23	22	19	15	25	24	21	17	25	24	21	17	25	24	21	16	23	22	19	15	25	24	21	16	23	22	19	15								
KW	2.70	2.75	2.83	2.91	2.88	2.94	3.03	3.12	3.05	3.11	3.20	3.30	3.20	3.26	3.36	3.47	3.32	3.39	3.49	3.60	3.43	3.50	3.61	3.72	3.20	3.26	3.36	3.47	3.32	3.39	3.49	3.60	3.43	3.50	3.60	3.72	3.43	3.50	3.61	3.72	3.43	3.50	3.60	3.72	3.43	3.50	3.61	3.72										
AMPS	9.8	10.0	10.3	10.7	10.5	10.8	11.1	11.5	11.4	11.7	12.1	12.5	12.2	12.5	12.9	13.3	12.9	13.2	13.7	14.2	13.7	14.0	14.5	15.0	12.2	12.5	12.9	13.3	12.2	12.5	12.9	13.3	13.2	13.7	14.2	13.7	14.0	14.5	15.0	13.2	13.7	14.2	13.7	14.0	14.5	15.0												
HI PR	226	243	246	251	255	274	278	284	290	312	316	323	330	355	360	368	372	400	405	414	416	448	454	464	330	355	360	368	372	400	405	414	416	448	454	464	416	448	454	464																		
LO PR	117	120	131	140	120	124	135	144	124	128	140	149	127	131	144	153	130	134	146	156	133	137	150	160	127	131	144	153	130	134	146	156	133	137	150	160	133	137	150	160																		
MBh	36.4	37.1	39.7	42.4	35.5	36.3	38.8	41.4	34.7	35.4	37.8	40.5	33.8	34.6	36.9	39.5	32.1	32.8	35.1	37.5	29.8	30.4	32.5	34.7	34.7	35.4	37.8	40.5	33.8	34.6	36.9	39.5	32.1	32.8	35.1	37.5	29.8	30.4	32.5	34.7																		
S/T	0.82	0.77	0.62	0.47	0.85	0.80	0.65	0.48	0.87	0.82	0.66	0.50	0.90	0.84	0.69	0.51	0.93	0.87	0.71	0.53	0.94	0.88	0.72	0.54	0.90	0.84	0.69	0.51	0.93	0.87	0.71	0.53	0.93	0.87	0.71	0.53	0.94	0.88	0.72	0.54																		
Delta T	25	24	21	17	25	24	21	17	25	24	21	17	26	24	21	17	25	24	21	17	24	23	20	16	25	24	21	17	26	24	21	17	25	24	21	17	24	23	20	16																		
KW	2.68	2.73	2.81	2.89	2.86	2.92	3.00	3.09	3.03	3.09	3.18	3.28	3.17	3.24	3.33	3.44	3.28	3.36	3.47	3.58	3.40	3.47	3.58	3.69	3.24	3.33	3.44	3.55	3.24	3.33	3.44	3.55	3.40	3.47	3.58	3.69	3.40	3.47	3.58	3.69																		
AMPS	9.7	9.9	10.2	10.6	10.4	10.7	11.0	11.4	11.3	11.6	11.9	12.4	12.1	12.3	12.7	13.2	12.8	13.1	13.5	14.0	13.6	13.9	14.3	14.9	12.4	12.7	13.2	13.7	12.3	12.6	13.1	13.6	14.0	14.3	14.6	15.1	13.6	13.9	14.3	14.9																		
HI PR	223	240	244	249	253	272	275	281	287	309	313	320	327	352	357	365	368	396	401	410	412	443	449	459	320	327	352	357	365	368	396	401	410	412	443	449	412	443	449	459																		
LO PR	115	119	130	138	119	123	134	143	123	127	138	147	126	130	142	151	129	133	145	154	132	136	148	158	147	151	161	171	126	130	142	151	132	136	148	158	132	136	148	158																		
85	1406	MBh	41.3	42.1	44.1	47.0	40.3	41.1	43.0	45.9	39.4	40.1	42.0	44.8	38.4	39.1	41.0	43.7	36.5	37.2	38.9	41.5	33.8	34.4	36.1	38.5	39.4	40.1	42.0	44.8	38.4	39.1	41.0	43.7	36.5	37.2	38.9	41.5	33.8	34.4	36.1	38.5																
		S/T	0.93	0.90	0.81	0.66	0.97	0.93	0.84	0.68	0.99	0.96	0.86	0.70	1.00	0.99	0.89	0.72	1.00	1.00	0.92	0.75	1.00	1.00	0.93	0.76	0.99	0.96	0.86	0.70	1.00	0.99	0.89	0.72	1.00	1.00	0.92	0.75	1.00	1.00	0.93	0.76																
		Delta T	25	25	23	20	25	25	24	21	26	25	24	21	25	25	24	21	24	24	24	20	22	23	22	19	26	25	24	21	25	25	24	21	24	24	24	20	22	23	22	19																
		KW	2.71	2.77	2.85	2.93	2.91	2.96	3.05	3.14	3.07	3.13	3.23	3.33	3.22	3.29	3.39	3.49	3.35	3.42	3.52	3.63	3.46	3.53	3.64	3.75	3.22	3.29	3.39	3.49	3.35	3.42	3.52	3.63	3.46	3.53	3.64	3.75	3.46	3.53	3.64	3.75																
		AMPS	9.9	10.1	10.4	10.8	10.6	10.9	11.2	11.6	11.5	11.8	12.2	12.6	12.3	12.6	13.0	13.5	13.0	13.4	13.8	14.3	13.8	14.1	14.6	15.1	12.3	12.6	13.0	13.5	13.0	13.4	13.8	14.3	13.8	14.1	14.6	15.1	13.8	14.1	14.6	15.1																
		HI PR	228	245	249	254	258	277	281	287	293	315	320	327	334	359	364	372	375	404	409	418	420	452	459	469	327	334	359	364	372	375	404	409	418	420	452	459	469	469	469	469																
		LO PR	118	121	133	141	121	125	137	145	125	129	141	150	129	133	145	154	131	135	148	157	134	139	151	161	150	154	161	171	129	133	145	154	134	139	151	161	134	139	151	161																
		MBh	40.1	40.9	42.8	45.6	39.1	39.9	41.8	44.6	38.2	39.0	40.8	43.5	37.3	38.0	39.8	42.5	35.4	36.1	37.8	40.3	32.8	33.4	35.0	37.4	39.0	40.8	43.5	37.3	38.0	39.8	42.5	35.4	36.1	37.8	40.3	32.8	33.4	35.0	37.4																	
		S/T	0.89	0.86	0.77	0.63	0.92	0.89	0.80	0.65	0.95	0.91	0.82	0.67</																																												

COOLING PERFORMANCE DATA

ASX140421B*

EXPANDED PERFORMANCE DATA

COOLING OPERATION

MODEL: ASX140421B* / CA*F4860C6A* / .074 Orifice

IDB* Airflow		Outdoor Ambient Temperature																													
		65					75					85					95					105					115				
		59	63	67	71	75	59	63	67	71	75	59	63	67	71	75	59	63	67	71	75	59	63	67	71	75	59	63	67	71	75
1406	MBh	39.2	40.6	44.5	-	38.3	39.7	43.5	-	37.4	38.7	42.4	-	36.5	37.8	41.4	-	34.6	35.9	39.3	-	32.1	33.3	36.4	-						
	S/T	0.71	0.60	0.41	-	0.74	0.62	0.43	-	0.76	0.63	0.44	-	0.78	0.65	0.45	-	0.81	0.68	0.47	-	0.82	0.68	0.47	-						
	Delta T	18	16	12	-	19	16	12	-	19	16	12	-	19	16	12	-	18	16	12	-	17	15	11	-						
	KW	2.71	2.77	2.85	-	2.91	2.96	3.05	-	3.07	3.13	3.23	-	3.22	3.29	3.39	-	3.35	3.42	3.52	-	3.46	3.53	3.64	-						
	AMPS	9.9	10.1	10.4	-	10.6	10.9	11.2	-	11.5	11.8	12.2	-	12.3	12.6	13.0	-	13.0	13.4	13.8	-	13.8	14.1	14.6	-						
	HI PR	228	245	249	-	258	277	281	-	293	315	320	-	334	359	364	-	375	404	409	-	420	452	459	-						
	LO PR	118	121	133	-	121	125	137	-	125	129	141	-	129	133	145	-	131	135	148	-	134	139	151	-						
	MBh	38.1	39.4	43.2	-	37.2	38.5	42.2	-	36.3	37.6	41.2	-	35.4	36.7	40.2	-	33.6	34.9	38.2	-	31.2	32.3	35.4	-						
	S/T	0.68	0.57	0.39	-	0.71	0.59	0.41	-	0.72	0.60	0.42	-	0.75	0.62	0.43	-	0.78	0.65	0.45	-	0.78	0.65	0.45	-						
	Delta T	19	16	13	-	19	17	13	-	19	17	13	-	19	17	13	-	19	17	13	-	18	16	12	-						
KW	2.70	2.75	2.83	-	2.88	2.94	3.03	-	3.05	3.11	3.20	-	3.20	3.26	3.36	-	3.32	3.39	3.49	-	3.43	3.50	3.61	-							
AMPS	9.8	10.0	10.3	-	10.5	10.8	11.1	-	11.4	11.7	12.1	-	12.2	12.5	12.9	-	12.9	13.2	13.7	-	13.7	14.0	14.5	-							
HI PR	226	243	246	-	255	274	278	-	290	312	316	-	330	355	360	-	372	400	405	-	416	448	454	-							
LO PR	117	120	131	-	120	124	135	-	124	128	140	-	127	131	144	-	130	134	146	-	133	137	150	-							
1094	MBh	35.1	36.4	39.9	-	34.3	35.6	39.0	-	33.5	34.7	38.0	-	32.7	33.9	37.1	-	31.0	32.2	35.2	-	28.8	29.8	32.7	-						
	S/T	0.66	0.55	0.38	-	0.68	0.57	0.39	-	0.70	0.58	0.40	-	0.72	0.60	0.42	-	0.75	0.62	0.43	-	0.75	0.63	0.44	-						
	Delta T	19	17	13	-	20	17	13	-	20	17	13	-	20	17	13	-	19	17	13	-	18	16	12	-						
	KW	2.68	2.73	2.81	-	2.86	2.92	3.00	-	3.03	3.09	3.18	-	3.17	3.24	3.33	-	3.30	3.36	3.47	-	3.40	3.47	3.58	-						
	AMPS	9.7	9.9	10.2	-	10.4	10.7	11.0	-	11.3	11.6	11.9	-	12.1	12.3	12.7	-	12.8	13.1	13.5	-	13.6	13.9	14.3	-						
	HI PR	223	240	244	-	253	272	275	-	287	309	313	-	327	352	357	-	368	396	401	-	412	443	449	-						
	LO PR	115	119	130	-	119	123	134	-	123	127	138	-	126	130	142	-	129	133	145	-	132	136	148	-						
	1406	MBh	39.9	41.0	44.4	47.7	38.9	40.1	43.4	46.6	38.0	39.1	42.4	45.5	37.1	38.2	41.3	44.4	35.2	36.3	39.3	42.1	32.6	33.6	36.4	39.0					
		S/T	0.81	0.73	0.55	0.35	0.84	0.75	0.57	0.37	0.86	0.77	0.58	0.38	0.89	0.80	0.60	0.39	0.92	0.83	0.63	0.40	0.93	0.83	0.63	0.41					
		Delta T	21	19	16	11	21	20	16	11	21	20	16	11	22	20	16	11	21	20	16	11	20	18	15	10					
KW		2.71	2.77	2.85	2.93	2.91	2.96	3.05	3.14	3.07	3.13	3.23	3.33	3.22	3.29	3.39	3.49	3.35	3.42	3.52	3.63	3.46	3.53	3.64	3.75						
AMPS		9.9	10.1	10.4	10.8	10.6	10.9	11.2	11.6	11.5	11.8	12.2	12.6	12.3	12.6	13.0	13.5	13.0	13.4	13.8	14.3	13.8	14.1	14.6	15.1						
HI PR		228	245	249	254	258	277	281	287	293	315	320	327	334	359	364	372	375	404	409	418	420	452	459	469						
LO PR		118	121	133	141	121	125	137	145	125	129	141	150	129	133	145	154	131	135	148	157	134	139	151	161						
MBh		38.7	39.8	43.1	46.3	37.8	38.9	42.1	45.2	36.9	38.0	41.1	44.1	36.0	37.1	40.1	43.1	34.2	35.2	38.1	40.9	31.7	32.6	35.3	37.9						
S/T		0.77	0.69	0.52	0.34	0.80	0.72	0.54	0.35	0.82	0.74	0.56	0.36	0.85	0.76	0.57	0.37	0.88	0.79	0.60	0.38	0.89	0.79	0.60	0.39						
Delta T		22	20	17	11	22	21	17	12	22	21	17	12	22	21	17	12	22	20	17	12	21	19	16	11						
KW	2.70	2.75	2.83	2.91	2.88	2.94	3.03	3.12	3.05	3.11	3.20	3.30	3.20	3.26	3.36	3.47	3.32	3.39	3.49	3.60	3.43	3.50	3.61	3.72							
AMPS	9.8	10.0	10.3	10.7	10.5	10.8	11.1	11.5	11.4	11.7	12.1	12.5	12.2	12.5	12.9	13.3	12.9	13.2	13.7	14.2	13.7	14.0	14.5	15.0							
HI PR	226	243	246	251	255	274	278	284	290	312	316	323	330	355	360	368	372	400	405	414	416	448	454	464							
LO PR	117	120	131	140	120	124	135	144	124	128	140	149	127	131	144	153	130	134	146	156	133	137	150	160							
1250	MBh	35.7	36.8	39.8	42.7	34.9	35.9	38.9	41.7	34.1	35.1	38.0	40.7	33.2	34.2	37.0	39.7	31.6	32.5	35.2	37.8	29.2	30.1	32.6	35.0						
	S/T	0.75	0.67	0.51	0.32	0.77	0.69	0.52	0.34	0.79	0.71	0.54	0.35	0.82	0.73	0.55	0.36	0.85	0.76	0.58	0.37	0.86	0.77	0.58	0.37						
	Delta T	22	21	17	12	23	21	17	12	23	21	17	12	23	21	17	12	23	21	17	12	21	19	16	11						
	KW	2.68	2.73	2.81	2.89	2.86	2.92	3.00	3.09	3.03	3.09	3.18	3.28	3.17	3.24	3.33	3.44	3.30	3.36	3.47	3.58	3.40	3.47	3.58	3.69						
	AMPS	9.7	9.9	10.2	10.6	10.4	10.7	11.0	11.4	11.3	11.6	11.9	12.4	12.1	12.3	12.7	13.2	12.8	13.1	13.5	14.0	13.6	13.9	14.3	14.9						
	HI PR	223	240	244	249	253	272	275	281	287	309	313	320	327	352	357	365	368	396	401	410	412	443	449	459						
	LO PR	115	119	130	138	119	123	134	143	123	127	138	147	126	130	142	151	129	133	145	154	132	136	148	158						
	1094	MBh	35.7	36.8	39.8	42.7	34.9	35.9	38.9	41.7	34.1	35.1	38.0	40.7	33.2	34.2	37.0	39.7	31.6	32.5	35.2	37.8	29.2	30.1	32.6	35.0					
		S/T	0.75	0.67	0.51	0.32	0.77	0.69	0.52	0.34	0.79	0.71	0.54	0.35	0.82	0.73	0.55	0.36	0.85	0.76	0.58	0.37	0.86	0.77	0.58	0.37					
		Delta T	22	21	17	12	23	21	17	12	23	21	17	12	23	21	17	12	23	21	17	12	21	19	16	11					
KW		2.68	2.73	2.81	2.89	2.86	2.92	3.00	3.09	3.03	3.09	3.18	3.28	3.17	3.24	3.33	3.44	3.30	3.36	3.47	3.58	3.40	3.47	3.58	3.69						
AMPS		9.7	9.9	10.2	10.6	10.4	10.7	11.0	11.4	11.3	11.6	11.9	12.4	12.1	12.3	12.7	13.2	12.8	13.1	13.5	14.0	13.6	13.9	14.3	14.9						
HI PR		223	240	244	249	253	272	275	281	287	309	313	320	327	352	357	365	368	396	401	410	412	443	449	459						
LO PR		115	119	130	138	119	123	134	143	123	127	138	147	126	130	142	151	129	133	145	154	132	136	148	158						

* Entering Indoor Dry Bulb Temperature NOTE: Shaded area is ACCA (TVA) conditions

COOLING PERFORMANCE DATA

ASX140421B*

EXPANDED PERFORMANCE DATA

EXPANDED PERFORMANCE DATA

COOLING OPERATION

MODEL: ASX140421B* / CA*F4860C6A* / .074 Orifice

IDB* Airflow	Outdoor Ambient Temperature																								
	65				75				85				95				105				115				
	59	63	67	71	59	63	67	71	59	63	67	71	59	63	67	71	59	63	67	71	59	63	67	71	
1406	MBh	40.6	41.5	44.3	47.3	39.6	40.5	43.3	46.2	38.7	39.5	42.2	45.1	37.7	38.6	41.2	44.0	35.9	36.6	39.1	41.8	33.2	33.9	36.3	38.8
	S/T	0.89	0.83	0.68	0.51	0.92	0.86	0.70	0.53	0.95	0.89	0.72	0.54	1.00	0.92	0.75	0.56	1.00	0.95	0.77	0.58	1.00	0.96	0.78	0.58
	Delta T	24	23	20	16	24	23	20	16	24	23	20	16	25	23	20	16	23	23	20	16	22	21	18	15
	KW	2.71	2.77	2.85	2.93	2.91	2.96	3.05	3.14	3.07	3.13	3.23	3.33	3.22	3.29	3.39	3.49	3.35	3.42	3.52	3.63	3.46	3.53	3.64	3.75
	AMPS	9.9	10.1	10.4	10.8	10.6	10.9	11.2	11.6	11.5	11.8	12.2	12.6	12.3	12.6	13.0	13.5	13.0	13.4	13.8	14.3	13.8	14.1	14.6	15.1
	HIPR	228	245	249	254	258	277	281	287	293	315	320	327	334	359	364	372	375	404	409	418	420	452	459	469
	LO PR	118	121	133	141	121	125	137	145	125	129	141	150	129	133	145	154	131	135	148	157	134	139	151	161
	MBh	39.4	40.2	43.0	46.0	38.5	39.3	42.0	44.9	37.6	38.4	41.0	43.8	36.6	37.4	40.0	42.8	34.8	35.6	38.0	40.6	32.2	32.9	35.2	37.6
	S/T	0.85	0.80	0.65	0.48	0.88	0.82	0.67	0.50	0.90	0.85	0.69	0.51	0.93	0.87	0.71	0.53	0.97	0.91	0.74	0.55	0.97	0.91	0.74	0.56
	Delta T	25	24	20	16	25	24	21	17	25	24	21	17	25	24	21	17	25	24	21	16	23	22	19	15
1250	KW	2.70	2.75	2.83	2.91	2.88	2.94	3.03	3.12	3.05	3.11	3.20	3.30	3.20	3.26	3.36	3.47	3.32	3.39	3.49	3.60	3.43	3.50	3.61	3.72
	AMPS	9.8	10.0	10.3	10.7	10.5	10.8	11.1	11.5	11.4	11.7	12.1	12.5	12.2	12.5	12.9	13.3	12.9	13.2	13.7	14.2	13.7	14.0	14.5	15.0
	HIPR	226	243	246	251	255	274	278	284	290	312	316	323	330	355	360	368	372	400	405	414	416	448	454	464
	LO PR	117	120	131	140	120	124	135	144	124	128	140	149	127	131	144	153	130	134	146	156	133	137	150	160
	MBh	36.4	37.1	39.7	42.4	35.5	36.3	38.8	41.4	34.7	35.4	37.8	40.5	33.8	34.6	36.9	39.5	32.1	32.8	35.1	37.5	29.8	30.4	32.5	34.7
	S/T	0.82	0.77	0.62	0.47	0.85	0.80	0.65	0.48	0.87	0.82	0.66	0.50	0.90	0.84	0.69	0.51	0.93	0.87	0.71	0.53	0.94	0.88	0.72	0.54
	Delta T	25	24	21	17	25	24	21	17	25	24	21	17	26	24	21	17	25	24	21	17	24	23	20	16
	KW	2.68	2.73	2.81	2.89	2.86	2.92	3.00	3.09	3.03	3.09	3.18	3.28	3.17	3.24	3.33	3.44	3.30	3.36	3.47	3.58	3.40	3.47	3.58	3.69
	AMPS	9.7	9.9	10.2	10.6	10.4	10.7	11.0	11.4	11.3	11.6	11.9	12.4	12.1	12.3	12.7	13.2	12.8	13.1	13.5	14.0	13.6	13.9	14.3	14.9
	HIPR	223	240	244	249	253	272	275	281	287	309	313	320	327	352	357	365	368	396	401	410	412	443	449	459
LO PR	115	119	130	138	119	123	134	143	123	127	138	147	126	130	142	151	129	133	145	154	132	136	148	158	
1406	MBh	41.3	42.1	44.1	47.0	40.3	41.1	43.0	45.9	39.4	40.1	42.0	44.8	38.4	39.1	41.0	43.7	36.5	37.2	38.9	41.5	33.8	34.4	36.1	38.5
	S/T	0.93	0.90	0.81	0.66	0.97	0.93	0.84	0.68	0.99	0.96	0.86	0.70	1.00	0.99	0.89	0.72	1.00	1.00	0.92	0.75	1.00	1.00	0.93	0.76
	Delta T	25	25	23	20	25	25	24	21	26	25	24	21	25	25	24	21	24	24	24	20	22	23	22	19
	KW	2.71	2.77	2.85	2.93	2.91	2.96	3.05	3.14	3.07	3.13	3.23	3.33	3.22	3.29	3.39	3.49	3.35	3.42	3.52	3.63	3.46	3.53	3.64	3.75
	AMPS	9.9	10.1	10.4	10.8	10.6	10.9	11.2	11.6	11.5	11.8	12.2	12.6	12.3	12.6	13.0	13.5	13.0	13.4	13.8	14.3	13.8	14.1	14.6	15.1
	HIPR	228	245	249	254	258	277	281	287	293	315	320	327	334	359	364	372	375	404	409	418	420	452	459	469
	LO PR	118	121	133	141	121	125	137	145	125	129	141	150	129	133	145	154	131	135	148	157	134	139	151	161
	MBh	40.1	40.9	42.8	45.6	39.1	39.9	41.8	44.6	38.2	39.0	40.8	43.5	37.3	38.0	39.8	42.5	35.4	36.1	37.8	40.3	32.8	33.4	35.0	37.4
	S/T	0.89	0.86	0.77	0.63	0.92	0.89	0.80	0.65	0.95	0.91	0.82	0.67	0.98	0.94	0.85	0.69	1.00	0.98	0.88	0.72	1.00	0.99	0.89	0.72
	Delta T	26	26	24	21	27	26	25	21	27	26	25	21	27	26	25	22	26	26	25	21	24	24	23	20
1250	KW	2.70	2.75	2.83	2.91	2.88	2.94	3.03	3.12	3.05	3.11	3.20	3.30	3.20	3.26	3.36	3.47	3.32	3.39	3.49	3.60	3.43	3.50	3.61	3.72
	AMPS	9.8	10.0	10.3	10.7	10.5	10.8	11.1	11.5	11.4	11.7	12.1	12.5	12.2	12.5	12.9	13.3	12.9	13.2	13.7	14.2	13.7	14.0	14.5	15.0
	HIPR	226	243	246	251	255	274	278	284	290	312	316	323	330	355	360	368	372	400	405	414	416	448	454	464
	LO PR	117	120	131	140	120	124	135	144	124	128	140	149	127	131	144	153	130	134	146	156	133	137	150	160
	MBh	37.0	37.7	39.5	42.1	36.1	36.8	38.6	41.2	35.3	36.0	37.7	40.2	34.4	35.1	36.7	39.2	32.7	33.3	34.9	37.2	30.3	30.9	32.3	34.5
	S/T	0.86	0.83	0.75	0.61	0.89	0.86	0.77	0.63	0.91	0.88	0.79	0.64	0.94	0.91	0.82	0.66	0.98	0.94	0.85	0.69	0.98	0.95	0.86	0.70
	Delta T	27	26	25	21	27	27	25	22	27	27	25	22	27	27	25	22	27	26	25	22	25	25	23	20
	KW	2.68	2.73	2.81	2.89	2.86	2.92	3.00	3.09	3.03	3.09	3.18	3.28	3.17	3.24	3.33	3.44	3.30	3.36	3.47	3.58	3.40	3.47	3.58	3.69
	AMPS	9.7	9.9	10.2	10.6	10.4	10.7	11.0	11.4	11.3	11.6	11.9	12.4	12.1	12.3	12.7	13.2	12.8	13.1	13.5	14.0	13.6	13.9	14.3	14.9
	HIPR	223	240	244	249	253	272	275	281	287	309	313	320	327	352	357	365	368	396	401	410	412	443	449	459
LO PR	115	119	130	138	119	123	134	143	123	127	138	147	126	130	142	151	129	133	145	154	132	136	148	158	

NOTE: Shaded area is ARI Rating Conditions

* Entering Indoor Dry Bulb Temperature

COOLING PERFORMANCE DATA

ASX140421C* / D*

EXPANDED PERFORMANCE DATA

EXPANDED PERFORMANCE DATA

COOLING OPERATION

MODEL: ASX140421C*/CA*F4860*6B*

IDB* Airflow	Outdoor Ambient Temperature																								
	65				75				85				95				105				115				
	59	63	67	71	59	63	67	71	59	63	67	71	59	63	67	71	59	63	67	71	59	63	67	71	
70	Entering Indoor Wet Bulb Temperature																								
	MBh	35.1	36.4	39.9	-	34.3	35.6	39.0	-	33.5	34.7	38.0	-	32.7	33.9	37.1	-	31.0	32.2	35.2	-	28.8	29.8	32.7	-
	S/T	0.69	0.58	0.40	-	0.72	0.60	0.41	-	0.73	0.61	0.42	-	0.76	0.63	0.44	-	0.79	0.66	0.46	-	0.79	0.66	0.46	-
	Delta T	18	16	12	-	18	16	12	-	18	16	12	-	19	16	12	-	18	16	12	-	17	15	11	-
	KW	2.06	2.11	2.18	-	2.23	2.29	2.37	-	2.39	2.45	2.53	-	2.52	2.59	2.68	-	2.64	2.70	2.80	-	2.74	2.81	2.91	-
	AMPS	8.8	9.0	9.3	-	9.5	9.7	10.0	-	10.3	10.5	10.9	-	11.0	11.3	11.6	-	11.7	12.0	12.4	-	12.4	12.7	13.1	-
	HI PR	224	242	255	-	252	271	286	-	286	308	326	-	326	351	371	-	367	395	417	-	406	436	461	-
	LO PR	108	114	125	-	114	121	132	-	118	126	137	-	124	132	144	-	130	138	151	-	134	143	156	-
	MBh	38.1	39.4	43.2	-	37.2	38.5	42.2	-	36.3	37.6	41.2	-	35.4	36.7	40.2	-	33.6	34.9	38.2	-	31.2	32.3	35.4	-
	S/T	0.72	0.60	0.41	-	0.74	0.62	0.43	-	0.76	0.64	0.44	-	0.79	0.66	0.45	-	0.82	0.68	0.47	-	0.82	0.69	0.48	-
Delta T	17	15	11	-	18	15	11	-	18	15	12	-	18	15	12	-	17	15	11	-	16	14	11	-	
KW	2.11	2.16	2.24	-	2.29	2.35	2.43	-	2.45	2.51	2.60	-	2.60	2.66	2.75	-	2.71	2.78	2.88	-	2.82	2.89	2.99	-	
AMPS	9.0	9.2	9.5	-	9.7	10.0	10.3	-	10.6	10.8	11.2	-	11.3	11.6	12.0	-	12.0	12.3	12.7	-	12.8	13.1	13.5	-	
HI PR	231	249	263	-	260	279	295	-	295	318	336	-	336	362	382	-	378	407	430	-	418	450	475	-	
LO PR	111	118	129	-	117	125	136	-	122	129	141	-	128	136	148	-	134	143	156	-	139	147	161	-	
MBh	38.4	39.8	43.6	-	37.5	38.9	42.6	-	36.6	38.0	41.6	-	35.8	37.1	40.6	-	34.0	35.2	38.6	-	31.5	32.6	35.7	-	
S/T	0.73	0.61	0.42	-	0.76	0.63	0.44	-	0.78	0.65	0.45	-	0.80	0.67	0.46	-	0.83	0.69	0.48	-	0.84	0.70	0.49	-	
Delta T	16	14	11	-	17	14	11	-	17	14	11	-	17	14	11	-	16	14	11	-	15	13	10	-	
KW	2.12	2.17	2.25	-	2.30	2.36	2.44	-	2.46	2.52	2.61	-	2.60	2.67	2.76	-	2.72	2.79	2.89	-	2.83	2.89	3.00	-	
AMPS	9.0	9.2	9.6	-	9.8	10.0	10.3	-	10.6	10.9	11.2	-	11.3	11.6	12.0	-	12.1	12.4	12.8	-	12.8	13.1	13.6	-	
HI PR	232	250	264	-	260	280	296	-	296	319	337	-	337	363	383	-	380	408	431	-	419	451	476	-	
LO PR	111	118	129	-	117	125	136	-	122	130	142	-	128	136	149	-	134	143	156	-	139	148	161	-	
75	Entering Indoor Wet Bulb Temperature																								
	MBh	35.7	36.8	39.8	42.7	34.9	35.9	38.9	41.7	34.1	35.1	38.0	40.7	33.2	34.2	37.0	39.7	31.6	32.5	35.2	37.8	29.2	30.1	32.6	35.0
	S/T	0.79	0.70	0.53	0.34	0.81	0.73	0.55	0.35	0.83	0.75	0.56	0.36	0.86	0.77	0.58	0.38	0.89	0.80	0.61	0.39	0.90	0.81	0.61	0.39
	Delta T	21	19	16	11	21	20	16	11	21	20	16	11	21	20	16	11	21	20	16	11	20	18	15	10
	KW	2.08	2.13	2.20	2.28	2.25	2.31	2.39	2.47	2.41	2.47	2.56	2.65	2.55	2.61	2.70	2.80	2.67	2.73	2.83	2.93	2.77	2.83	2.94	3.04
	AMPS	8.8	9.1	9.4	9.7	9.6	9.8	10.1	10.5	10.4	10.6	11.0	11.4	11.1	11.4	11.8	12.2	11.8	12.1	12.5	13.0	12.5	12.8	13.3	13.8
	HI PR	227	244	258	269	254	274	289	302	289	311	329	343	330	355	375	391	371	399	421	439	410	441	466	486
	LO PR	109	116	126	134	115	122	133	142	119	127	139	148	125	133	145	155	131	140	152	162	136	144	158	168
	MBh	38.7	39.8	43.1	46.3	37.8	38.9	42.1	45.2	36.9	38.0	41.1	44.1	36.0	37.1	40.1	43.1	34.2	35.2	38.1	40.9	31.7	32.6	35.3	37.9
	S/T	0.81	0.73	0.55	0.35	0.84	0.76	0.57	0.37	0.87	0.77	0.59	0.38	0.89	0.80	0.60	0.39	0.93	0.83	0.63	0.40	0.94	0.84	0.63	0.41
Delta T	20	18	15	10	20	19	15	11	20	19	15	11	20	19	15	11	20	19	15	10	19	17	14	10	
KW	2.13	2.18	2.26	2.34	2.32	2.37	2.45	2.54	2.48	2.54	2.63	2.72	2.62	2.68	2.78	2.88	2.74	2.81	2.91	3.01	2.84	2.91	3.02	3.13	
AMPS	9.1	9.3	9.6	10.0	9.8	10.1	10.4	10.8	10.7	10.9	11.3	11.7	11.4	11.7	12.1	12.5	12.2	12.5	12.9	13.4	12.9	13.2	13.6	14.2	
HI PR	234	252	266	277	262	282	298	311	298	321	339	354	340	366	386	403	382	411	434	453	422	454	480	501	
LO PR	112	119	130	138	118	126	137	146	123	131	143	152	129	137	150	160	135	144	157	167	140	149	163	173	
MBh	39.1	40.2	43.6	46.8	38.2	39.3	42.5	45.7	37.3	38.4	41.5	44.6	36.4	37.4	40.5	43.5	34.5	35.6	38.5	41.3	32.0	32.9	35.7	38.3	
S/T	0.83	0.74	0.56	0.36	0.86	0.77	0.58	0.37	0.88	0.79	0.60	0.38	0.91	0.81	0.62	0.40	0.95	0.85	0.64	0.41	0.95	0.85	0.65	0.42	
Delta T	19	17	14	10	19	18	14	10	19	18	14	10	19	18	15	10	19	18	14	10	18	16	13	9	
KW	2.14	2.19	2.27	2.35	2.32	2.38	2.46	2.55	2.48	2.54	2.63	2.73	2.63	2.69	2.79	2.89	2.75	2.81	2.92	3.02	2.85	2.92	3.03	3.14	
AMPS	9.1	9.3	9.6	10.0	9.9	10.1	10.4	10.8	10.7	11.0	11.3	11.8	11.4	11.7	12.1	12.6	12.2	12.5	12.9	13.4	12.9	13.2	13.7	14.2	
HI PR	234	252	266	278	263	283	299	312	299	322	340	355	341	367	387	404	383	413	436	454	424	456	481	502	
LO PR	112	119	130	139	119	126	138	147	123	131	143	153	130	138	150	160	136	144	158	168	140	149	163	174	

* Entering Indoor Dry Bulb Temperature

NOTE: Shaded area is ACCA (TVA) conditions

KW=Total system power

AMPS=outdoor unit amps (comp.+fan)

COOLING PERFORMANCE DATA

ASX140421C* / D*

EXPANDED PERFORMANCE DATA

EXPANDED PERFORMANCE DATA

MODEL: ASX140421C*/CA*F4860*6B*

IDB*	Airflow	Outdoor Ambient Temperature																													
		65					75					85					95					105					115				
		59	63	67	71	75	59	63	67	71	75	59	63	67	71	75	59	63	67	71	75	59	63	67	71	75	59	63	67	71	75
80	1225	MBh	36.4	37.1	39.7	42.4	35.5	36.3	38.8	41.4	34.7	35.4	37.8	40.5	33.8	34.6	36.9	39.5	32.1	32.8	35.1	37.5	29.8	30.4	32.5	34.7					
		S/T	0.86	0.81	0.66	0.49	0.89	0.84	0.68	0.51	0.92	0.86	0.70	0.52	0.94	0.89	0.72	0.54	0.98	0.92	0.75	0.56	0.99	0.93	0.75	0.56					
		Delta T	24	23	20	16	24	23	20	16	24	23	20	16	24	23	20	16	24	23	20	16	22	21	18	15					
		KW	2.10	2.14	2.22	2.30	2.27	2.33	2.41	2.50	2.43	2.49	2.58	2.67	2.57	2.63	2.73	2.83	2.69	2.75	2.85	2.96	2.79	2.86	2.96	3.07					
		AMPS	8.9	9.1	9.4	9.8	9.6	9.9	10.2	10.6	10.5	10.7	11.1	11.5	11.2	11.5	11.9	12.3	11.9	12.2	12.6	13.1	12.6	12.9	13.4	13.9					
	1450	HIPR	229	246	260	271	257	277	292	305	292	315	332	346	333	358	378	395	375	403	426	444	414	445	470	490					
		LO PR	110	117	127	136	116	123	135	143	120	128	140	149	127	135	147	157	133	141	154	164	137	146	159	170					
		MBh	39.4	40.2	43.0	46.0	38.5	39.3	42.0	44.9	37.6	38.4	41.0	43.8	36.6	37.4	40.0	42.8	34.8	35.6	38.0	40.6	32.2	32.9	35.2	37.6					
		S/T	0.89	0.84	0.68	0.51	0.93	0.87	0.71	0.53	0.95	0.89	0.72	0.54	0.98	0.92	0.75	0.56	1.00	0.95	0.78	0.58	1.00	0.96	0.78	0.59					
		Delta T	22	21	19	15	23	22	19	15	23	22	19	15	23	22	19	15	22	22	19	15	20	20	17	14					
1575	KW	2.15	2.20	2.28	2.36	2.34	2.39	2.48	2.57	2.50	2.56	2.65	2.75	2.64	2.71	2.80	2.91	2.77	2.83	2.93	3.04	2.87	2.94	3.05	3.16						
	AMPS	9.2	9.4	9.7	10.1	9.9	10.2	10.5	10.9	10.8	11.0	11.4	11.8	11.5	11.8	12.2	12.7	12.3	12.6	13.0	13.5	13.0	13.3	13.8	14.3						
	HIPR	236	254	268	280	265	285	301	314	301	324	342	357	343	369	390	407	386	415	439	458	427	459	485	506						
	LO PR	113	120	131	140	119	127	139	148	124	132	144	154	130	139	152	161	137	145	159	169	141	150	164	175						
	MBh	39.8	40.7	43.4	46.4	38.9	39.7	42.4	45.3	37.9	38.8	41.4	44.3	37.0	37.8	40.4	43.2	35.2	35.9	38.4	41.0	32.6	33.3	35.6	38.0						

IDB*	Airflow	Outdoor Ambient Temperature																													
		65					75					85					95					105					115				
		59	63	67	71	75	59	63	67	71	75	59	63	67	71	75	59	63	67	71	75	59	63	67	71	75	59	63	67	71	75
85	1225	MBh	37.0	37.7	39.5	42.1	36.1	36.8	38.6	41.2	35.3	36.0	37.7	40.2	34.4	35.1	36.7	39.2	32.7	33.3	34.9	37.2	30.3	30.9	32.3	34.5					
		S/T	0.90	0.87	0.79	0.64	0.94	0.90	0.81	0.66	0.96	0.93	0.84	0.68	0.99	0.96	0.86	0.70	1.00	0.99	0.90	0.73	1.00	1.00	0.90	0.73					
		Delta T	25	25	23	20	25	25	24	20	25	25	24	20	26	25	24	21	25	25	23	20	23	23	22	21					
		KW	2.11	2.16	2.24	2.32	2.29	2.35	2.43	2.52	2.45	2.51	2.60	2.70	2.59	2.66	2.75	2.85	2.71	2.78	2.88	2.99	2.82	2.89	2.99	3.10					
		AMPS	9.0	9.2	9.5	9.9	9.7	10.0	10.3	10.7	10.6	10.8	11.2	11.6	11.3	11.6	12.0	12.4	12.0	12.3	12.7	13.2	12.8	13.1	13.5	14.0					
	1450	HIPR	231	249	263	274	260	279	295	308	295	318	335	350	336	362	382	399	378	407	430	448	418	450	475	495					
		LO PR	111	118	129	137	117	125	136	145	122	129	141	150	128	136	148	158	134	142	156	166	139	147	161	171					
		MBh	40.1	40.9	42.8	45.6	39.1	39.9	41.8	44.6	38.2	39.0	40.8	43.5	37.3	38.0	39.8	42.5	35.4	36.1	37.8	40.3	32.8	33.4	35.0	37.4					
		S/T	0.94	0.90	0.82	0.66	0.97	0.94	0.85	0.69	1.00	0.96	0.87	0.70	1.00	0.99	0.89	0.73	1.00	1.00	0.93	0.75	1.00	1.00	0.94	0.76					
		Delta T	24	23	22	19	24	24	22	19	24	24	22	19	24	24	23	20	22	23	22	19	21	21	21	18					
1575	KW	2.17	2.22	2.30	2.38	2.36	2.41	2.50	2.59	2.52	2.58	2.67	2.77	2.67	2.73	2.83	2.93	2.79	2.86	2.96	3.07	2.90	2.97	3.07	3.19						
	AMPS	9.3	9.5	9.8	10.2	10.0	10.3	10.6	11.0	10.9	11.1	11.5	11.9	11.6	11.9	12.3	12.8	12.4	12.7	13.1	13.6	13.1	13.4	13.9	14.4						
	HIPR	238	257	271	283	268	288	304	317	304	328	346	361	347	373	394	411	390	420	443	462	431	464	490	511						
	LO PR	114	122	133	141	121	128	140	149	125	133	146	155	132	140	153	163	138	147	160	171	143	152	166	177						
	MBh	40.5	41.3	43.2	46.1	39.5	40.3	42.2	45.0	38.6	39.3	41.2	44.0	37.7	38.4	40.2	42.9	35.8	36.5	38.2	40.7	33.1	33.8	35.4	37.7						

* Entering Indoor Dry Bulb Temperature

NOTE: Shaded area is AHRI Rating Conditions

KW=Total system power

AMPS=outdoor unit amps (comp.+fan)

COOLING PERFORMANCE DATA

ASX140481A* / B*

EXPANDED PERFORMANCE DATA

COOLING OPERATION

MODEL: ASX140481A* / CA*F4860D6A* / .079 Orifice

IDB* Airflow		Outdoor Ambient Temperature																																															
		65						75						85						95						105						115																	
		59	63	67	71	75	79	59	63	67	71	75	79	59	63	67	71	75	79	59	63	67	71	75	79	59	63	67	71	75	79	59	63	67	71	75	79												
1744	MBh	45.1	46.7	51.2	-	44.0	45.6	50.0	-	43.0	44.5	48.8	-	41.9	43.5	47.6	-	39.8	41.3	45.2	-	36.9	38.2	41.9	-	39.8	41.3	45.2	-	36.9	38.2	41.9	-	39.8	41.3	45.2	-	36.9	38.2	41.9	-	39.8	41.3	45.2	-	36.9	38.2	41.9	-
	S/T	0.73	0.61	0.42	-	0.76	0.63	0.44	-	0.78	0.65	0.45	-	0.80	0.67	0.47	-	0.83	0.70	0.48	-	0.84	0.70	0.49	-	0.83	0.70	0.48	-	0.84	0.70	0.49	-	0.83	0.70	0.48	-	0.84	0.70	0.49	-	0.83	0.70	0.48	-	0.84	0.70	0.49	-
	Delta T	17	15	11	-	18	15	12	-	18	15	12	-	18	15	12	-	18	15	12	-	16	14	11	-	18	15	12	-	16	14	11	-	18	15	12	-	16	14	11	-	18	15	12	-	16	14	11	-
	KW	3.06	3.11	3.20	-	3.27	3.33	3.43	-	3.45	3.52	3.63	-	3.62	3.69	3.81	-	3.76	3.84	3.95	-	3.88	3.96	4.08	-	3.76	3.84	3.95	-	3.88	3.96	4.08	-	3.76	3.84	3.95	-	3.88	3.96	4.08	-	3.76	3.84	3.95	-	3.88	3.96	4.08	-
	AMPS	11.0	11.2	11.6	-	11.9	12.1	12.5	-	12.9	13.2	13.6	-	13.7	14.0	14.5	-	14.6	14.9	15.4	-	15.4	15.8	16.3	-	14.6	14.9	15.4	-	15.4	15.8	16.3	-	14.6	14.9	15.4	-	15.4	15.8	16.3	-	14.6	14.9	15.4	-	15.4	15.8	16.3	-
	HI PR	234	252	255	-	265	285	289	-	301	324	328	-	343	369	374	-	386	415	421	-	432	464	471	-	386	415	421	-	432	464	471	-	386	415	421	-	432	464	471	-	386	415	421	-	432	464	471	-
	LO PR	121	125	137	-	125	129	141	-	129	133	145	-	133	137	149	-	135	139	152	-	139	143	156	-	135	139	152	-	139	143	156	-	135	139	152	-	139	143	156	-	135	139	152	-	139	143	156	-
	MBh	43.8	45.4	49.7	-	42.7	44.3	48.5	-	41.7	43.2	47.4	-	40.7	42.2	46.2	-	38.7	40.1	43.9	-	35.8	37.1	40.7	-	38.7	40.1	43.9	-	35.8	37.1	40.7	-	38.7	40.1	43.9	-	35.8	37.1	40.7	-	38.7	40.1	43.9	-	35.8	37.1	40.7	-
	S/T	0.70	0.58	0.40	-	0.72	0.61	0.42	-	0.74	0.62	0.43	-	0.77	0.64	0.44	-	0.80	0.66	0.46	-	0.80	0.67	0.46	-	0.77	0.64	0.44	-	0.80	0.66	0.46	-	0.77	0.64	0.44	-	0.80	0.66	0.46	-	0.77	0.64	0.44	-	0.80	0.66	0.46	-
	Delta T	18	16	12	-	18	16	12	-	18	16	12	-	19	16	12	-	18	16	12	-	17	15	11	-	18	16	12	-	17	15	11	-	18	16	12	-	17	15	11	-	18	16	12	-	17	15	11	-
KW	3.03	3.09	3.18	-	3.24	3.31	3.40	-	3.43	3.50	3.60	-	3.59	3.67	3.78	-	3.73	3.81	3.92	-	3.85	3.93	4.05	-	3.73	3.81	3.92	-	3.85	3.93	4.05	-	3.73	3.81	3.92	-	3.85	3.93	4.05	-	3.73	3.81	3.92	-	3.85	3.93	4.05	-	
AMPS	10.9	11.1	11.5	-	11.7	12.0	12.4	-	12.7	13.0	13.5	-	13.6	13.9	14.4	-	14.5	14.8	15.3	-	15.3	15.7	16.2	-	14.5	14.8	15.3	-	15.3	15.7	16.2	-	14.5	14.8	15.3	-	15.3	15.7	16.2	-	14.5	14.8	15.3	-	15.3	15.7	16.2	-	
HI PR	232	249	253	-	262	282	286	-	298	320	325	-	339	365	370	-	382	411	416	-	428	460	466	-	382	411	416	-	428	460	466	-	382	411	416	-	428	460	466	-	382	411	416	-	428	460	466	-	
LO PR	120	124	135	-	124	128	139	-	128	132	144	-	131	135	148	-	134	138	151	-	137	141	154	-	134	138	151	-	137	141	154	-	134	138	151	-	137	141	154	-	134	138	151	-	137	141	154	-	
MBh	40.4	41.9	45.9	-	39.5	40.9	44.8	-	38.5	39.9	43.7	-	37.6	38.9	42.7	-	35.7	37.0	40.5	-	33.1	34.3	37.5	-	37.6	38.9	42.7	-	35.7	37.0	40.5	-	35.7	37.0	40.5	-	33.1	34.3	37.5	-	35.7	37.0	40.5	-	33.1	34.3	37.5	-	
S/T	0.67	0.56	0.39	-	0.70	0.58	0.40	-	0.72	0.60	0.41	-	0.74	0.62	0.43	-	0.77	0.64	0.44	-	0.77	0.65	0.45	-	0.74	0.62	0.43	-	0.77	0.64	0.44	-	0.74	0.62	0.43	-	0.77	0.64	0.44	-	0.74	0.62	0.43	-	0.77	0.64	0.44	-	
Delta T	18	16	12	-	19	16	12	-	19	16	12	-	19	16	12	-	19	16	12	-	17	15	11	-	19	16	12	-	17	15	11	-	19	16	12	-	17	15	11	-	19	16	12	-	17	15	11	-	
KW	3.01	3.07	3.16	-	3.22	3.28	3.38	-	3.40	3.47	3.57	-	3.57	3.64	3.75	-	3.70	3.78	3.89	-	3.82	3.90	4.02	-	3.57	3.64	3.75	-	3.82	3.90	4.02	-	3.57	3.64	3.75	-	3.82	3.90	4.02	-	3.57	3.64	3.75	-	3.82	3.90	4.02	-	
AMPS	10.8	11.0	11.4	-	11.6	11.9	12.3	-	12.6	12.9	13.3	-	13.5	13.8	14.2	-	14.3	14.7	15.2	-	15.2	15.5	16.0	-	14.3	14.7	15.2	-	15.2	15.5	16.0	-	14.3	14.7	15.2	-	15.2	15.5	16.0	-	14.3	14.7	15.2	-	15.2	15.5	16.0	-	
HI PR	229	247	250	-	259	279	283	-	295	317	322	-	336	361	366	-	378	406	412	-	423	455	462	-	378	406	412	-	423	455	462	-	378	406	412	-	423	455	462	-	378	406	412	-	423	455	462	-	
LO PR	119	123	134	-	122	126	138	-	127	131	143	-	130	134	146	-	133	137	149	-	136	140	153	-	133	137	149	-	136	140	153	-	133	137	149	-	136	140	153	-	133	137	149	-	136	140	153	-	
1744	MBh	45.8	47.2	51.1	54.8	44.8	46.1	49.9	53.6	43.7	45.0	48.7	52.3	42.6	43.9	47.5	51.0	40.5	41.7	45.1	48.5	37.5	38.6	41.8	44.9	40.5	41.7	45.1	48.5	37.5	38.6	41.8	44.9	40.5	41.7	45.1	48.5	37.5	38.6	41.8	44.9	40.5	41.7	45.1	48.5	37.5	38.6	41.8	44.9
	S/T	0.83	0.75	0.56	0.36	0.86	0.77	0.58	0.38	0.89	0.79	0.60	0.39	0.91	0.82	0.62	0.40	0.95	0.85	0.64	0.41	0.96	0.86	0.65	0.42	0.95	0.85	0.64	0.41	0.96	0.86	0.65	0.42	0.95	0.85	0.64	0.41	0.96	0.86	0.65	0.42	0.95	0.85	0.64	0.41	0.96	0.86	0.65	0.42
	Delta T	20	19	15	10	20	19	15	11	20	19	15	11	21	19	16	11	20	19	15	11	19	17	14	10	20	19	15	11	19	17	14	10	20	19	15	11	19	17	14	10	20	19	15	11	19	17	14	10
	KW	3.06	3.11	3.20	3.30	3.27	3.33	3.43	3.53	3.45	3.52	3.63	3.74	3.62	3.69	3.81	3.92	3.76	3.84	3.95	4.08	3.88	3.96	4.08	4.21	3.76	3.84	3.95	4.08	3.88	3.96	4.08	4.21	3.76	3.84	3.95	4.08	3.88	3.96	4.08	4.21	3.76	3.84	3.95	4.08	3.88	3.96	4.08	4.21
	AMPS	11.0	11.2	11.6	12.0	11.9	12.1	12.5	13.0	12.9	13.2	13.6	14.1	13.7	14.0	14.5	15.1	14.6	14.9	15.4	16.0	15.4	15.8	16.3	17.0	14.6	14.9	15.4	16.0	15.4	15.8	16.3	17.0	14.6	14.9	15.4	16.0	15.4	15.8	16.3	17.0	14.6	14.9	15.4	16.0	15.4	15.8	16.3	17.0
	HI PR	234	252	255	261	265	285	289	295	301	324	328	335	343	369	374	382	386	415	421	430	432	464	471	481	386	415	421	430	432	464	471	481	386	415	421	430	432	464	471	481	386	415	421	430	432	464	471	481
	LO PR	121	125	137	145	125	129	141	150	129	133	145	155	133	137	149	159	135	139	152	162	139	143	156	166	135	139	152	162	139	143	156	166	135	139	152	162	139	143	156	166	135	139	152	162	139	143	156	166
	MBh	44.5	45.8	49.6	53.2	43.5	44.8	48.4	52.0	42.4	43.7	47.3	50.8	41.4	42.6	46.1	49.5	39.3	40.5	43.8	47.0	36.4	37.5	40.6	43.6	39.3	40.5	43.8	47.0	36.4	37.5	40.6	43.6	39.3	40.5	43.8	47.0	36.4	37.5	40.6	43.6	39.3	40.5	43.8	47.0	36.4	37.5	40.6	43.6
	S/T	0.79	0.71	0.54	0.35	0.82	0.74	0.56	0.36	0.84	0.76	0.57	0.37	0.87	0.78	0.59	0.38	0.90	0.81	0.61	0.39	0.91	0.8																										

COOLING PERFORMANCE DATA

ASX140481A* / B*

EXPANDED PERFORMANCE DATA

COOLING OPERATION

MODEL: ASX140481A* / CA*F4860D6A* / .079 Orifice

IDB*	Airflow	Outdoor Ambient Temperature																													
		65					75					85					95					105					115				
		59	63	67	71	75	59	63	67	71	75	59	63	67	71	75	59	63	67	71	75	59	63	67	71	75	59	63	67	71	75
80	1744	MBh	46.7	47.7	50.9	54.4	45.6	46.6	49.7	53.2	44.5	45.5	48.6	51.9	43.4	44.3	47.4	50.6	41.2	42.1	45.0	48.1	38.2	39.0	41.7	44.6					
		S/T	0.91	0.86	0.70	0.52	0.95	0.89	0.72	0.54	1.00	0.91	0.74	0.55	1.00	0.94	0.77	0.57	1.00	1.00	0.79	0.59	1.00	1.00	0.80	0.60					
		Delta T	22	22	19	15	23	22	19	15	23	22	19	15	23	22	19	15	23	22	19	15	20	21	18	14					
		KW	3.06	3.11	3.20	3.30	3.27	3.33	3.43	3.53	3.45	3.52	3.63	3.74	3.62	3.69	3.81	3.92	3.76	3.84	3.95	4.08	3.88	3.96	4.08	4.21					
		AMPS	11.0	11.2	11.6	12.0	11.9	12.1	12.5	13.0	12.9	13.2	13.6	14.1	13.7	14.0	14.5	15.1	14.6	14.9	15.4	16.0	15.4	15.8	16.3	17.0					
		HI PR	234	252	255	261	265	285	289	295	301	324	328	335	343	369	374	382	386	415	421	430	432	464	471	481					
		LO PR	121	125	137	145	125	129	141	150	129	133	145	155	133	137	149	159	135	139	152	162	139	143	156	166					
		MBh	45.3	46.3	49.5	52.9	44.2	45.2	48.3	51.6	43.2	44.1	47.2	50.4	42.1	43.1	46.0	49.2	40.0	40.9	43.7	46.7	37.1	37.9	40.5	43.3					
		S/T	0.87	0.82	0.67	0.50	0.90	0.85	0.69	0.52	0.93	0.87	0.71	0.53	0.96	0.90	0.73	0.55	0.99	0.93	0.76	0.57	1.00	0.94	0.76	0.57					
		Delta T	23	22	20	16	24	23	20	16	24	23	20	16	24	23	20	16	24	23	20	16	22	21	18	15					
KW	3.03	3.09	3.18	3.27	3.24	3.31	3.40	3.51	3.43	3.50	3.60	3.71	3.59	3.67	3.78	3.89	3.73	3.81	3.92	4.05	3.85	3.93	4.05	4.18							
AMPS	10.9	11.1	11.5	11.9	11.7	12.0	12.4	12.9	12.7	13.0	13.5	14.0	13.6	13.9	14.4	14.9	14.5	14.8	15.3	15.9	15.3	15.7	16.2	16.8							
HI PR	232	249	253	258	262	282	286	292	298	320	325	332	339	365	370	378	382	411	416	426	428	460	466	477							
LO PR	120	124	135	144	124	128	139	148	128	132	144	153	131	135	148	157	134	138	151	161	137	141	154	164							
MBh	41.8	42.7	45.6	48.8	40.8	41.7	44.6	47.7	39.9	40.7	43.5	46.5	38.9	39.7	42.5	45.4	36.9	37.8	40.3	43.1	34.2	35.0	37.4	39.9							
S/T	0.84	0.79	0.64	0.48	0.87	0.82	0.67	0.50	0.89	0.84	0.68	0.51	0.92	0.86	0.70	0.53	0.96	0.90	0.73	0.55	0.97	0.91	0.74	0.55							
Delta T	24	23	20	16	24	23	20	16	24	23	20	16	24	23	20	16	24	23	20	16	22	21	19	15							
KW	3.01	3.07	3.16	3.25	3.22	3.28	3.38	3.48	3.40	3.47	3.57	3.68	3.57	3.64	3.75	3.86	3.70	3.78	3.89	4.01	3.82	3.90	4.02	4.15							
AMPS	10.8	11.0	11.4	11.8	11.6	11.9	12.3	12.7	12.6	12.9	13.3	13.8	13.5	13.8	14.2	14.8	14.3	14.7	15.2	15.7	15.2	15.5	16.0	16.6							
HI PR	229	247	250	256	259	279	283	289	295	317	322	329	336	361	366	374	378	406	412	421	423	455	462	472							
LO PR	119	123	134	143	122	126	138	147	127	131	143	152	130	134	146	156	133	137	149	159	136	140	153	163							
85	1744	MBh	47.5	48.4	50.7	54.1	46.4	47.3	49.5	52.8	45.3	46.1	48.3	51.6	44.2	45.0	47.1	50.3	42.0	42.8	44.8	47.8	38.9	39.6	41.5	44.3					
		S/T	0.96	0.92	0.83	0.68	0.99	0.96	0.86	0.70	1.00	0.98	0.89	0.72	1.00	1.00	0.92	0.74	1.00	1.00	0.95	0.77	1.00	1.00	0.96	0.78					
		Delta T	24	24	22	19	24	24	23	20	24	24	23	20	23	24	23	20	22	23	22	19	20	21	21	18					
		KW	3.06	3.11	3.20	3.30	3.27	3.33	3.43	3.53	3.45	3.52	3.63	3.74	3.62	3.69	3.81	3.92	3.76	3.84	3.95	4.08	3.88	3.96	4.08	4.21					
		AMPS	11.0	11.2	11.6	12.0	11.9	12.1	12.5	13.0	12.9	13.2	13.6	14.1	13.7	14.0	14.5	15.1	14.6	14.9	15.4	16.0	15.4	15.8	16.3	17.0					
		HI PR	234	252	255	261	265	285	289	295	301	324	328	335	343	369	374	382	386	415	421	430	432	464	471	481					
		LO PR	121	125	137	145	125	129	141	150	129	133	145	155	133	137	149	159	135	139	152	162	139	143	156	166					
		MBh	46.1	47.0	49.2	52.5	45.0	45.9	48.1	51.3	43.9	44.8	46.9	50.1	42.9	43.7	45.8	48.8	40.7	41.5	43.5	46.4	37.7	38.5	40.3	43.0					
		S/T	0.91	0.88	0.80	0.65	0.95	0.91	0.82	0.67	0.97	0.94	0.85	0.69	1.00	0.97	0.87	0.71	1.00	1.00	0.91	0.74	1.00	1.00	0.91	0.74					
		Delta T	25	25	23	20	25	25	24	20	25	25	24	20	25	25	24	21	24	25	23	20	22	23	22	19					
KW	3.03	3.09	3.18	3.27	3.24	3.31	3.40	3.51	3.43	3.50	3.60	3.71	3.59	3.67	3.78	3.89	3.73	3.81	3.92	4.05	3.85	3.93	4.05	4.18							
AMPS	10.9	11.1	11.5	11.9	11.7	12.0	12.4	12.9	12.7	13.0	13.5	14.0	13.6	13.9	14.4	14.9	14.5	14.8	15.3	15.9	15.3	15.7	16.2	16.8							
HI PR	232	249	253	258	262	282	286	292	298	320	325	332	339	365	370	378	382	411	416	426	428	460	466	477							
LO PR	120	124	135	144	124	128	139	148	128	132	144	153	131	135	148	157	134	138	151	161	137	141	154	164							
MBh	42.5	43.4	45.4	48.5	41.5	42.4	44.4	47.3	40.6	41.3	43.3	46.2	39.6	40.3	42.2	45.1	37.6	38.3	40.1	42.8	34.8	35.5	37.2	39.7							
S/T	0.88	0.85	0.77	0.62	0.91	0.88	0.80	0.65	0.94	0.90	0.82	0.66	0.97	0.93	0.84	0.68	1.00	0.97	0.87	0.71	1.00	0.98	0.88	0.71							
Delta T	25	25	24	20	26	25	24	21	26	25	24	21	26	26	24	21	25	25	25	24	24	24	23	22	19						
KW	3.01	3.07	3.16	3.25	3.22	3.28	3.38	3.48	3.40	3.47	3.57	3.68	3.57	3.64	3.75	3.86	3.70	3.78	3.89	4.01	3.82	3.90	4.02	4.15							
AMPS	10.8	11.0	11.4	11.8	11.6	11.9	12.3	12.7	12.6	12.9	13.3	13.8	13.5	13.8	14.2	14.8	14.3	14.7	15.2	15.7	15.2	15.5	16.0	16.6							
HI PR	229	247	250	256	259	279	283	289	295	317	322	329	336	361	366	374	378	406	412	421	423	455	462	472							
LO PR	119	123	134	143	122	126	138	147	127	131	143	152	130	134	146	156	133	137	149	159	136	140	153	163							

NOTE: Shaded area is ARI Rating Conditions

* Entering Indoor Dry Bulb Temperature

COOLING PERFORMANCE DATA

ASX140481C*

EXPANDED PERFORMANCE DATA

EXPANDED PERFORMANCE DATA

MODEL: ASX140481C* / CA*F4860D6A / .078 Orifice

IDB*	Airflow	Outdoor Ambient Temperature																								
		65				75				85				95				105				115				
		59	63	67	71	59	63	67	71	59	63	67	71	59	63	67	71	59	63	67	71	59	63	67	71	
70	1744	MBh	45.1	46.7	51.2	-	44.0	45.6	50.0	-	43.0	44.5	48.8	-	41.9	43.5	47.6	-	39.8	41.3	45.2	-	36.9	38.2	41.9	-
		S/T	0.76	0.64	0.44	-	0.79	0.66	0.46	-	0.81	0.68	0.47	-	0.84	0.70	0.48	-	0.87	0.73	0.50	-	0.88	0.73	0.51	-
		Delta T	18	16	12	-	18	16	12	-	18	16	12	-	19	16	12	-	18	16	12	-	17	15	11	-
		KW	2.86	2.92	3.01	-	3.07	3.14	3.24	-	3.26	3.33	3.44	-	3.43	3.50	3.62	-	3.57	3.65	3.77	-	3.69	3.77	3.90	-
		AMPS	11.4	11.6	12.0	-	12.2	12.5	12.9	-	13.3	13.6	14.0	-	14.2	14.5	15.0	-	15.0	15.4	15.9	-	15.9	16.3	16.8	-
		HI PR	234	252	266	-	263	283	299	-	299	322	340	-	341	367	387	-	383	412	435	-	423	456	481	-
		LO PR	109	116	126	-	115	122	133	-	119	127	139	-	125	133	146	-	131	140	152	-	136	144	158	-
		MBh	43.8	45.4	49.7	-	42.7	44.3	48.5	-	41.7	43.2	47.4	-	40.7	42.2	46.2	-	38.7	40.1	43.9	-	35.8	37.1	40.7	-
		S/T	0.73	0.61	0.42	-	0.75	0.63	0.44	-	0.77	0.65	0.45	-	0.80	0.67	0.46	-	0.83	0.69	0.48	-	0.84	0.70	0.48	-
		Delta T	19	16	12	-	19	17	13	-	19	17	13	-	19	17	13	-	19	16	12	-	18	15	12	-
75	1550	KW	2.84	2.89	2.98	-	3.05	3.11	3.21	-	3.24	3.30	3.41	-	3.40	3.47	3.59	-	3.54	3.62	3.74	-	3.66	3.74	3.87	-
		AMPS	11.3	11.5	11.9	-	12.1	12.4	12.8	-	13.2	13.5	13.9	-	14.0	14.4	14.8	-	14.9	15.3	15.8	-	15.8	16.1	16.7	-
		HI PR	232	250	264	-	260	280	296	-	296	319	336	-	337	363	383	-	379	408	431	-	419	451	476	-
		LO PR	108	114	125	-	114	121	132	-	118	126	137	-	124	132	144	-	130	138	151	-	134	143	156	-
		MBh	40.4	41.9	45.9	-	39.5	40.9	44.8	-	38.5	39.9	43.7	-	37.6	38.9	42.7	-	35.7	37.0	40.5	-	33.1	34.3	37.5	-
		S/T	0.70	0.59	0.41	-	0.73	0.61	0.42	-	0.75	0.62	0.43	-	0.77	0.64	0.45	-	0.80	0.67	0.46	-	0.81	0.67	0.47	-
		Delta T	19	17	13	-	19	17	13	-	19	17	13	-	20	17	13	-	19	17	13	-	18	16	12	-
		KW	2.77	2.83	2.91	-	2.98	3.04	3.13	-	3.16	3.22	3.33	-	3.32	3.39	3.50	-	3.45	3.53	3.64	-	3.57	3.65	3.77	-
		AMPS	11.0	11.2	11.6	-	11.8	12.1	12.5	-	12.8	13.1	13.5	-	13.7	14.0	14.4	-	14.5	14.8	15.3	-	15.3	15.7	16.2	-
		HI PR	225	242	256	-	253	272	287	-	287	309	326	-	327	352	372	-	368	396	418	-	407	438	462	-
LO PR	104	111	121	-	110	117	128	-	115	122	133	-	120	128	140	-	126	134	146	-	130	139	151	-		

74	1744	MBh	45.8	47.2	51.1	54.8	44.8	46.1	49.9	53.6	43.7	45.0	48.7	52.3	42.6	43.9	47.5	51.0	40.5	41.7	45.1	48.5	37.5	38.6	41.8	44.9
		S/T	0.87	0.78	0.59	0.38	0.90	0.80	0.61	0.39	0.92	0.82	0.62	0.40	0.95	0.85	0.64	0.41	0.99	0.88	0.67	0.43	1.00	0.89	0.67	0.43
		Delta T	21	19	16	11	21	20	16	11	21	20	16	11	21	20	16	11	21	19	16	11	20	18	15	10
		KW	2.88	2.94	3.03	3.13	3.10	3.16	3.26	3.37	3.29	3.36	3.47	3.58	3.46	3.53	3.65	3.77	3.60	3.68	3.80	3.92	3.72	3.81	3.93	4.06
		AMPS	11.5	11.7	12.1	12.5	12.4	12.6	13.0	13.5	13.4	13.7	14.1	14.7	14.3	14.6	15.1	15.7	15.2	15.5	16.1	16.6	16.1	16.4	17.0	17.6
		HI PR	237	255	269	281	266	286	302	315	302	325	343	358	344	370	391	408	387	417	440	459	428	460	486	507
		LO PR	110	117	127	136	116	123	135	143	120	128	140	149	127	135	147	157	133	141	154	164	137	146	159	170
		MBh	44.5	45.8	49.6	53.2	43.5	44.8	48.4	52.0	42.4	43.7	47.3	50.8	41.4	42.6	46.1	49.5	39.3	40.5	43.8	47.0	36.4	37.5	40.6	43.6
		S/T	0.83	0.74	0.56	0.36	0.86	0.77	0.58	0.37	0.88	0.79	0.60	0.38	0.91	0.81	0.61	0.40	0.94	0.84	0.64	0.41	0.95	0.85	0.64	0.41
		Delta T	22	20	16	11	22	20	17	12	22	20	17	12	22	21	17	12	22	20	17	12	21	19	15	11
75	1550	KW	2.86	2.92	3.01	3.10	3.07	3.14	3.24	3.34	3.26	3.33	3.44	3.55	3.43	3.50	3.62	3.73	3.57	3.65	3.77	3.89	3.69	3.77	3.90	4.03
		AMPS	11.4	11.6	12.0	12.4	12.2	12.5	12.9	13.4	13.3	13.6	14.0	14.5	14.2	14.5	15.0	15.5	15.0	15.4	15.9	16.5	15.9	16.3	16.8	17.5
		HI PR	234	252	266	278	263	283	299	312	299	322	340	354	341	367	387	404	383	412	435	454	423	456	481	502
		LO PR	109	116	126	134	115	122	133	142	119	127	139	148	125	133	146	155	131	140	153	162	136	145	158	168
		MBh	41.1	42.3	45.8	49.1	40.1	41.3	44.7	48.0	39.2	40.3	43.7	46.8	38.2	39.3	42.6	45.7	36.3	37.4	40.5	43.4	33.6	34.6	37.5	40.2
		S/T	0.80	0.71	0.54	0.35	0.83	0.74	0.56	0.36	0.85	0.76	0.57	0.37	0.88	0.78	0.59	0.38	0.91	0.81	0.62	0.40	0.92	0.82	0.62	0.40
		Delta T	22	20	17	12	22	21	17	12	23	21	17	12	23	21	17	12	22	21	17	12	21	19	16	11
		KW	2.79	2.85	2.94	3.03	3.00	3.06	3.16	3.26	3.18	3.25	3.35	3.46	3.35	3.42	3.53	3.64	3.48	3.56	3.67	3.79	3.60	3.68	3.80	3.93
		AMPS	11.1	11.3	11.7	12.1	11.9	12.2	12.6	13.0	12.9	13.2	13.6	14.1	13.8	14.1	14.6	15.1	14.6	15.0	15.5	16.0	15.5	15.9	16.4	17.0
		HI PR	227	245	258	269	255	275	290	302	290	312	330	344	330	356	375	392	372	400	422	441	411	442	467	487
LO PR	105	112	122	130	111	118	129	138	116	123	134	143	122	129	141	150	127	136	148	158	132	140	153	163		

* Entering Indoor Dry Bulb Temperature

NOTE: Shaded area is ACCA (TVA) conditions

EXPANDED PERFORMANCE DATA

COOLING OPERATION

MODEL: ASX140481C* / CA*F4860D6A / .078 Orifice

IDB*	Airflow	Outdoor Ambient Temperature																													
		65					75					85					95					105					115				
		59	63	67	71	75	59	63	67	71	75	59	63	67	71	75	59	63	67	71	75	59	63	67	71	75	59	63	67	71	75
80	1744	MBh	46.7	47.7	50.9	54.4	45.6	46.6	49.7	53.2	44.5	45.5	48.6	51.9	43.4	44.3	47.4	50.6	41.2	42.1	45.0	48.1	38.2	39.0	41.7	44.6					
		S/T	0.95	0.89	0.73	0.54	1.00	0.93	0.75	0.56	1.00	0.95	0.77	0.58	1.00	1.00	0.80	0.60	1.00	1.00	0.83	0.62	1.00	1.00	0.83	0.62					
		Delta T	2.3	2.2	2.0	1.6	2.4	2.3	2.0	1.6	2.3	2.3	2.0	1.6	2.3	2.3	2.0	1.6	2.2	2.2	2.0	1.6	2.0	2.0	2.1	1.8	1.5				
		KW	2.90	2.96	3.05	3.15	3.12	3.19	3.29	3.39	3.31	3.39	3.49	3.61	3.49	3.56	3.68	3.80	3.63	3.63	3.71	3.83	3.96	3.75	3.84	3.96	4.10				
		AMPS	11.6	11.8	12.2	12.6	12.5	12.8	13.2	13.6	13.5	13.8	14.3	14.8	14.4	14.8	15.2	15.8	15.3	15.3	15.7	16.2	16.8	16.2	16.6	17.1	17.8				
		HIPR	239	257	272	283	268	289	305	318	305	328	347	362	348	374	395	412	391	421	444	463	432	465	491	512					
		LOPR	111	118	129	137	117	125	136	145	122	129	141	151	128	136	148	158	134	143	156	166	139	147	161	171					
		MBh	45.3	46.3	49.5	52.9	44.2	45.2	48.3	51.6	43.2	44.1	47.2	50.4	42.1	43.1	46.0	49.2	40.0	40.9	43.7	46.7	37.1	37.9	40.5	43.3					
		S/T	0.91	0.85	0.69	0.52	0.94	0.88	0.72	0.54	0.96	0.90	0.74	0.55	1.00	0.93	0.76	0.57	1.00	0.97	0.79	0.59	1.00	0.98	0.80	0.59					
		Delta T	2.4	2.3	2.0	1.6	2.5	2.4	2.1	1.6	2.5	2.4	2.1	1.6	2.5	2.4	2.1	1.7	2.4	2.4	2.4	2.0	1.6	2.2	2.2	1.9	1.5				
KW	2.88	2.94	3.03	3.13	3.10	3.16	3.26	3.37	3.29	3.36	3.47	3.58	3.46	3.53	3.65	3.77	3.60	3.68	3.80	3.93	3.72	3.81	3.93	4.06							
AMPS	11.5	11.7	12.1	12.5	12.4	12.6	13.0	13.5	13.4	13.7	14.1	14.7	14.3	14.6	15.1	15.7	15.2	15.5	16.1	16.6	16.1	16.4	17.0	17.6							
HIPR	237	255	269	281	266	286	302	315	302	325	343	358	344	370	391	408	387	417	440	459	428	460	486	507							
LOPR	110	117	127	136	116	123	135	143	120	128	140	149	127	135	147	157	133	141	154	164	137	146	159	170							
MBh	41.8	42.7	45.6	48.8	40.8	41.7	44.6	47.7	39.9	40.7	43.5	46.5	38.9	39.7	42.5	45.4	36.9	37.8	40.3	43.1	34.2	35.0	37.4	39.9							
S/T	0.88	0.82	0.67	0.50	0.91	0.85	0.69	0.52	0.93	0.87	0.71	0.53	0.96	0.90	0.73	0.55	1.00	0.93	0.76	0.57	1.00	0.94	0.77	0.57							
Delta T	2.5	2.4	2.1	1.7	2.5	2.4	2.1	1.7	2.5	2.4	2.1	1.7	2.5	2.4	2.1	1.7	2.5	2.4	2.1	1.7	2.3	2.2	1.9	1.6							
KW	2.81	2.87	2.96	3.05	3.02	3.09	3.18	3.29	3.21	3.28	3.38	3.49	3.37	3.45	3.56	3.67	3.51	3.59	3.70	3.83	3.63	3.71	3.83	3.96							
AMPS	11.2	11.4	11.8	12.2	12.0	12.3	12.7	13.2	13.0	13.3	13.8	14.3	13.9	14.2	14.7	15.2	14.8	15.1	15.6	16.2	15.6	16.0	16.5	17.1							
HIPR	230	247	261	272	258	277	293	305	293	315	333	347	334	359	379	396	375	404	427	445	415	446	471	492							
LOPR	106	113	124	132	112	120	131	139	117	124	136	145	123	131	143	152	129	137	149	159	133	142	155	165							

85	1744	MBh	47.5	48.4	50.7	54.1	46.4	47.3	49.5	52.8	45.3	46.1	48.3	51.6	44.2	45.0	47.1	50.3	42.0	42.8	44.8	47.8	38.9	39.6	41.5	44.3
		S/T	1.00	0.96	0.87	0.70	1.00	0.90	0.73	0.56	1.00	0.90	0.75	0.57	1.00	1.00	0.85	0.67	1.00	1.00	0.99	0.80	1.00	1.00	0.85	0.67
		Delta T	2.5	2.5	2.3	2.0	2.4	2.5	2.3	2.0	2.4	2.4	2.4	2.0	2.3	2.4	2.4	2.1	2.2	2.3	2.3	2.0	2.0	2.1	2.2	1.9
		KW	2.93	2.99	3.08	3.18	3.15	3.21	3.31	3.42	3.34	3.41	3.52	3.64	3.51	3.59	3.71	3.83	3.66	3.74	3.86	3.99	3.79	3.87	4.00	4.13
		AMPS	11.7	11.9	12.3	12.8	12.6	12.9	13.3	13.8	13.6	14.0	14.4	14.9	14.5	14.9	15.4	15.9	15.5	15.8	16.3	17.0	16.4	16.7	17.3	17.9
		HIPR	241	260	274	286	271	292	308	321	308	332	350	365	351	378	399	416	395	425	449	468	436	470	496	517
		LOPR	112	119	130	138	118	126	137	146	123	131	143	152	129	137	150	160	135	144	157	167	140	149	163	173
		MBh	46.1	47.0	49.2	52.5	45.0	45.9	48.1	51.3	43.9	44.8	46.9	50.1	42.9	43.7	45.8	48.8	40.7	41.5	43.5	46.4	37.7	38.5	40.3	43.0
		S/T	0.95	0.92	0.83	0.67	0.99	0.95	0.86	0.70	1.00	0.98	0.88	0.71	1.00	1.00	0.91	0.74	1.00	1.00	0.94	0.77	1.00	1.00	0.95	0.77
		Delta T	2.6	2.6	2.4	2.1	2.6	2.6	2.4	2.1	2.6	2.6	2.5	2.1	2.5	2.6	2.5	2.1	2.4	2.5	2.4	2.1	2.2	2.3	2.3	2.0
KW	2.90	2.96	3.05	3.15	3.12	3.19	3.29	3.39	3.31	3.39	3.49	3.61	3.49	3.56	3.68	3.80	3.63	3.71	3.83	3.96	3.75	3.84	3.96	4.10		
AMPS	11.6	11.8	12.2	12.6	12.5	12.8	13.2	13.6	13.5	13.8	14.3	14.8	14.4	14.8	15.2	15.8	15.3	15.7	16.2	16.8	16.2	16.6	17.1	17.8		
HIPR	239	257	272	283	268	289	305	318	305	328	347	362	348	374	395	412	391	421	444	463	432	465	491	512		
LOPR	111	118	129	137	117	125	136	145	122	129	141	151	128	136	148	158	134	143	156	166	139	147	161	171		
MBh	42.5	43.4	45.4	48.5	41.5	42.4	44.4	47.3	40.6	41.3	43.3	46.2	39.6	40.3	42.2	45.1	37.6	38.3	40.1	42.8	34.8	35.5	37.2	39.7		
S/T	0.92	0.89	0.80	0.65	0.95	0.92	0.83	0.67	0.98	0.94	0.85	0.69	1.00	0.97	0.88	0.71	1.00	1.00	0.91	0.74	1.00	1.00	0.92	0.74		
Delta T	2.6	2.6	2.5	2.1	2.7	2.6	2.5	2.2	2.7	2.6	2.5	2.2	2.7	2.7	2.5	2.2	2.5	2.6	2.5	2.2	2.4	2.4	2.4	2.0		
KW	2.84	2.89	2.98	3.08	3.05	3.11	3.21	3.31	3.23	3.30	3.41	3.52	3.40	3.47	3.59	3.70	3.54	3.62	3.73	3.86	3.66	3.74	3.86	3.99		
AMPS	11.3	11.5	11.9	12.3	12.1	12.4	12.8	13.3	13.1	13.5	13.9	14.4	14.0	14.4	14.8	15.4	14.9	15.3	15.8	16.3	15.8	16.1	16.7	17.3		
HIPR	232	250	264	275	260	280	296	308	296	319	336	351	337	363	383	400	379	408	431	449	419	451	476	497		
LOPR	108	114	125	133	114	121	132	140	118	126	137	146	124	132	144	153	130	138	151	161	134	143	156	166		

* Entering Indoor Dry Bulb Temperature

NOTE: Shaded area is AHRI Rating Conditions

COOLING PERFORMANCE DATA

ASX140601A* / B*

EXPANDED PERFORMANCE DATA

EXPANDED PERFORMANCE DATA

MODEL: ASX140601A* / CA*F4860D6A* / .088 Orifice

IDB* Airflow		Outdoor Ambient Temperature																								
		65				75				85				95				105				115				
		59	63	67	71	59	63	67	71	59	63	67	71	59	63	67	71	59	63	67	71	59	63	67	71	
70	2025	MBh	54.9	56.9	62.3	-	53.6	55.6	60.9	-	52.3	54.2	59.4	-	51.0	52.9	58.0	-	48.5	50.3	55.1	-	44.9	46.6	51.0	-
		S/T	0.71	0.60	0.41	-	0.74	0.62	0.43	-	0.76	0.63	0.44	-	0.78	0.65	0.45	-	0.81	0.68	0.47	-	0.82	0.68	0.47	-
		Delta T	18	15	12	-	18	16	12	-	18	16	12	-	18	16	12	-	18	15	12	-	17	14	11	-
		KW	4.04	4.13	4.25	-	4.35	4.44	4.58	-	4.61	4.71	4.86	-	4.85	4.95	5.11	-	5.05	5.16	5.33	-	5.22	5.34	5.51	-
		AMPS	14.5	14.8	15.3	-	15.6	16.0	16.6	-	17.0	17.4	18.0	-	18.2	18.7	19.3	-	21.3	21.8	22.6	-	22.5	23.1	23.8	-
		HIPR	249	268	272	-	274	294	298	-	320	344	349	-	365	392	398	-	411	441	448	-	474	510	517	-
		LO PR	117	120	132	-	120	124	135	-	124	128	140	-	128	132	144	-	130	134	147	-	133	138	150	-
		MBh	53.3	55.2	60.5	-	52.0	53.9	59.1	-	50.8	52.7	57.7	-	49.6	51.4	56.3	-	47.1	48.8	53.5	-	43.6	45.2	49.5	-
		S/T	0.68	0.57	0.39	-	0.71	0.59	0.41	-	0.72	0.60	0.42	-	0.75	0.62	0.43	-	0.78	0.65	0.45	-	0.78	0.65	0.45	-
		Delta T	19	16	12	-	19	16	12	-	19	16	12	-	19	16	12	-	19	16	12	-	17	15	11	-
1800	1800	KW	4.01	4.09	4.22	-	4.31	4.40	4.54	-	4.58	4.67	4.82	-	4.81	4.91	5.07	-	5.01	5.12	5.29	-	5.18	5.30	5.47	-
		AMPS	14.3	14.7	15.2	-	15.5	15.9	16.4	-	16.9	17.3	17.9	-	18.1	18.5	19.1	-	21.1	21.6	22.4	-	22.3	22.8	23.6	-
		HIPR	247	265	269	-	271	291	296	-	317	341	346	-	361	388	394	-	406	437	443	-	470	505	512	-
		LO PR	116	119	130	-	119	123	134	-	123	127	139	-	126	130	142	-	129	133	145	-	132	136	149	-
		MBh	49.2	51.0	55.8	-	48.0	49.8	54.5	-	46.9	48.6	53.2	-	45.7	47.4	51.9	-	43.5	45.0	49.3	-	40.3	41.7	45.7	-
		S/T	0.66	0.55	0.38	-	0.68	0.57	0.39	-	0.70	0.58	0.40	-	0.72	0.60	0.42	-	0.75	0.62	0.43	-	0.75	0.63	0.44	-
		Delta T	19	16	12	-	19	17	13	-	19	17	13	-	19	17	13	-	19	16	12	-	18	15	12	-
		KW	3.98	4.06	4.19	-	4.28	4.37	4.50	-	4.54	4.64	4.78	-	4.77	4.87	5.03	-	4.97	5.08	5.24	-	5.14	5.25	5.42	-
		AMPS	14.2	14.5	15.0	-	15.4	15.7	16.3	-	16.7	17.1	17.7	-	17.9	18.3	19.0	-	20.9	21.4	22.2	-	22.1	22.6	23.4	-
		HIPR	244	263	266	-	268	288	293	-	314	338	342	-	358	385	390	-	402	433	439	-	465	500	507	-
LO PR	114	118	129	-	118	122	133	-	122	126	137	-	125	129	141	-	128	132	144	-	131	135	147	-		
75	2025	MBh	55.8	57.5	62.2	66.7	54.5	56.1	60.7	65.2	53.2	54.8	59.3	63.6	51.9	53.4	57.9	62.1	49.3	50.8	55.0	59.0	45.7	47.0	50.9	54.6
		S/T	0.81	0.73	0.55	0.35	0.84	0.75	0.57	0.37	0.86	0.77	0.58	0.38	0.89	0.80	0.60	0.39	0.92	0.83	0.63	0.40	0.93	0.83	0.63	0.41
		Delta T	21	19	16	11	21	19	16	11	21	19	16	11	21	19	16	11	21	19	16	11	19	18	15	10
		KW	4.04	4.13	4.25	4.39	4.35	4.44	4.58	4.72	4.61	4.71	4.86	5.02	4.85	4.95	5.11	5.28	5.05	5.16	5.33	5.51	5.22	5.34	5.51	5.70
		AMPS	14.5	14.8	15.3	15.9	15.6	16.0	16.6	17.2	17.0	17.4	18.0	18.7	18.2	18.7	19.3	20.1	21.3	21.8	22.6	23.5	22.5	23.1	23.8	24.8
		HIPR	249	268	272	278	274	294	298	305	320	344	349	357	365	392	398	407	411	441	448	458	474	510	517	529
		LO PR	117	120	132	140	120	124	135	144	124	128	140	149	128	132	144	153	130	134	147	156	133	138	150	160
		MBh	54.2	55.8	60.4	64.8	52.9	54.5	59.0	63.3	51.7	53.2	57.6	61.8	50.4	51.9	56.2	60.3	47.9	49.3	53.4	57.3	44.4	45.7	49.4	53.0
		S/T	0.77	0.69	0.52	0.34	0.80	0.72	0.54	0.35	0.82	0.74	0.56	0.36	0.85	0.76	0.57	0.37	0.88	0.79	0.60	0.38	0.89	0.79	0.60	0.39
		Delta T	21	20	16	11	22	20	16	11	22	20	16	11	22	20	16	11	22	20	16	11	20	19	15	10
1800	1800	KW	4.01	4.09	4.22	4.35	4.31	4.40	4.54	4.69	4.58	4.67	4.82	4.98	4.81	4.91	5.07	5.24	5.01	5.12	5.29	5.46	5.18	5.30	5.47	5.65
		AMPS	14.3	14.7	15.2	15.7	15.5	15.9	16.4	17.0	16.9	17.3	17.9	18.6	18.1	18.5	19.1	19.9	21.1	21.6	22.4	23.2	22.3	22.8	23.6	24.5
		HIPR	247	265	269	275	271	291	296	302	317	341	346	354	361	388	394	403	406	437	443	453	470	505	512	523
		LO PR	116	119	130	139	119	123	134	143	123	127	139	148	126	130	142	152	129	133	145	155	132	136	149	158
		MBh	50.0	51.5	55.7	59.8	48.8	50.3	54.4	58.4	47.7	49.1	53.1	57.0	46.5	47.9	51.8	55.6	44.2	45.5	49.3	52.9	40.9	42.1	45.6	49.0
		S/T	0.75	0.67	0.51	0.32	0.77	0.69	0.52	0.34	0.79	0.71	0.54	0.35	0.82	0.73	0.55	0.36	0.85	0.76	0.58	0.37	0.86	0.77	0.58	0.37
		Delta T	22	20	16	11	22	20	17	11	22	20	17	11	22	20	17	12	22	20	17	11	20	19	15	11
		KW	3.98	4.06	4.19	4.32	4.28	4.37	4.50	4.65	4.54	4.64	4.78	4.94	4.77	4.87	5.03	5.20	4.97	5.08	5.24	5.41	5.14	5.25	5.42	5.60
		AMPS	14.2	14.5	15.0	15.6	15.4	15.7	16.3	16.9	16.7	17.1	17.7	18.4	17.9	18.3	19.0	19.7	20.9	21.4	22.2	23.0	22.1	22.6	23.4	24.3
		HIPR	244	263	266	272	268	288	293	299	314	338	342	350	358	385	390	399	402	433	439	448	465	500	507	518
LO PR	114	118	129	137	118	122	133	141	122	126	137	146	125	129	141	150	128	132	144	153	131	135	147	157		

* Entering Indoor Dry Bulb Temperature NOTE: Shaded area is A CCA (TVA) conditions

COOLING PERFORMANCE DATA

ASX140601A* / B*

EXPANDED PERFORMANCE DATA

EXPANDED PERFORMANCE DATA

MODEL: ASX140601A* / CA*F4860D6A* / .088 Orifice

IDB*	Airflow	Outdoor Ambient Temperature																								
		65				75				85				95				105				115				
		59	63	67	71	59	63	67	71	59	63	67	71	59	63	67	71	59	63	67	71	59	63	67	71	
80	2025	MBh	56.8	58.0	62.0	66.3	55.5	56.7	60.6	64.7	54.2	55.3	59.1	63.2	52.8	54.0	57.7	61.7	50.2	51.3	54.8	58.6	46.5	47.5	50.8	54.3
		S/T	0.89	0.83	0.68	0.51	0.92	0.86	0.70	0.53	0.95	0.89	0.72	0.54	1.00	0.92	0.75	0.56	1.00	0.95	0.77	0.58	1.00	0.96	0.78	0.58
		Delta T	23	22	19	15	23	22	19	15	23	22	19	15	24	22	20	16	23	22	19	15	21	21	18	14
		KW	4.04	4.13	4.25	4.39	4.35	4.44	4.58	4.72	4.61	4.71	4.86	5.02	4.85	4.95	5.11	5.28	5.05	5.16	5.33	5.51	5.22	5.34	5.51	5.70
		AMPS	14.5	14.8	15.3	15.9	15.6	16.0	16.6	17.2	17.0	17.4	18.0	18.7	18.2	18.7	19.3	20.1	21.3	21.8	22.6	23.5	22.5	23.1	23.8	24.8
		HIPR	249	268	272	278	274	294	298	305	320	344	349	357	365	382	398	407	411	441	448	458	474	510	517	529
	1800	LO PR	117	120	132	140	120	124	135	144	124	128	140	149	128	132	144	153	130	134	147	156	133	138	150	160
		MBh	55.1	56.3	60.2	64.4	53.9	55.0	58.8	62.9	52.6	53.7	57.4	61.4	51.3	52.4	56.0	59.9	48.7	49.8	53.2	56.9	45.1	46.1	49.3	52.7
		S/T	0.85	0.80	0.65	0.48	0.88	0.82	0.67	0.50	0.90	0.85	0.69	0.51	0.93	0.87	0.71	0.53	0.97	0.91	0.74	0.55	0.97	0.91	0.74	0.56
		Delta T	24	23	20	16	24	23	20	16	24	23	20	16	24	23	20	16	24	23	20	16	22	22	19	15
		KW	4.01	4.09	4.22	4.35	4.31	4.40	4.54	4.69	4.58	4.67	4.82	4.98	4.81	4.91	5.07	5.24	5.01	5.12	5.29	5.46	5.18	5.30	5.47	5.65
		AMPS	14.3	14.7	15.2	15.7	15.5	15.9	16.4	17.0	16.9	17.3	17.9	18.6	18.1	18.5	19.1	19.9	21.1	21.6	22.4	23.2	22.3	22.8	23.6	24.5
1575	HIPR	247	265	269	275	271	291	296	302	317	341	346	354	361	388	394	403	406	437	443	453	470	505	512	523	
	LO PR	116	119	130	139	119	123	134	143	123	127	139	148	126	130	142	152	129	133	145	155	132	136	149	158	
	MBh	50.9	52.0	55.6	59.4	49.7	50.8	54.3	58.0	48.5	49.6	53.0	56.6	47.3	48.4	51.7	55.3	45.0	46.0	49.1	52.5	41.7	42.6	45.5	48.6	
	S/T	0.82	0.77	0.62	0.47	0.85	0.80	0.65	0.48	0.87	0.82	0.66	0.50	0.90	0.84	0.69	0.51	0.93	0.87	0.71	0.53	0.94	0.88	0.72	0.54	
	Delta T	24	23	20	16	25	24	21	16	25	24	21	16	25	24	21	17	24	23	20	16	23	22	19	15	
	KW	3.98	4.06	4.19	4.32	4.28	4.37	4.50	4.65	4.54	4.64	4.78	4.94	4.77	4.87	5.03	5.20	4.97	5.08	5.24	5.41	5.14	5.25	5.42	5.60	
85	AMPS	14.2	14.5	15.0	15.6	15.4	15.7	16.3	16.9	16.7	17.1	17.7	18.4	17.9	18.3	19.0	19.7	20.9	21.4	22.2	23.0	22.1	22.6	23.4	24.3	
	HIPR	244	263	266	272	268	288	293	299	314	338	342	350	358	385	390	399	402	433	439	448	465	500	507	518	
	LO PR	114	118	129	137	118	122	133	141	122	126	137	146	125	129	141	150	128	132	144	153	131	135	147	157	
	MBh	57.8	58.9	61.7	65.8	56.4	57.5	60.3	64.3	55.1	56.2	58.8	62.8	53.8	54.8	57.4	61.2	51.1	52.1	54.5	58.2	47.3	48.2	50.5	53.9	
	S/T	0.93	0.90	0.81	0.66	0.97	0.93	0.84	0.68	0.99	0.96	0.86	0.70	1.00	0.99	0.89	0.72	1.00	1.00	0.92	0.75	1.00	1.00	0.93	0.76	
	Delta T	24	24	23	20	25	24	23	20	25	24	23	20	24	25	23	20	23	24	23	20	21	22	21	19	
2025	KW	4.04	4.13	4.25	4.39	4.35	4.44	4.58	4.72	4.61	4.71	4.86	5.02	4.85	4.95	5.11	5.28	5.05	5.16	5.33	5.51	5.22	5.34	5.51	5.70	
	AMPS	14.5	14.8	15.3	15.9	15.6	16.0	16.6	17.2	17.0	17.4	18.0	18.7	18.2	18.7	19.3	20.1	21.3	21.8	22.6	23.5	22.5	23.1	23.8	24.8	
	HIPR	249	268	272	278	274	294	298	305	320	344	349	357	365	392	398	407	411	441	448	458	474	510	517	529	
	LO PR	117	120	132	140	120	124	135	144	124	128	140	149	128	132	144	153	130	134	147	156	133	138	150	160	
	MBh	56.1	57.2	59.9	63.9	54.8	55.9	58.5	62.4	53.5	54.5	57.1	60.9	52.2	53.2	56.7	59.4	49.6	50.5	52.9	56.5	45.9	46.8	49.0	52.3	
	S/T	0.89	0.86	0.77	0.63	0.92	0.89	0.80	0.65	0.95	0.91	0.82	0.67	0.98	0.94	0.85	0.69	1.00	0.98	0.88	0.72	1.00	0.99	0.89	0.72	
1800	Delta T	25	25	24	21	26	25	24	21	26	25	24	21	26	26	24	21	25	25	24	21	23	24	22	19	
	KW	4.01	4.09	4.22	4.35	4.31	4.40	4.54	4.69	4.58	4.67	4.82	4.98	4.81	4.91	5.07	5.24	5.01	5.12	5.29	5.46	5.18	5.30	5.47	5.65	
	AMPS	14.3	14.7	15.2	15.7	15.5	15.9	16.4	17.0	16.9	17.3	17.9	18.6	18.1	18.5	19.1	19.9	21.1	21.6	22.4	23.2	22.3	22.8	23.6	24.5	
	HIPR	247	265	269	275	271	291	296	302	317	341	346	354	361	388	394	403	406	437	443	453	470	505	512	523	
	LO PR	116	119	130	139	119	123	134	143	123	127	139	148	126	130	142	152	129	133	145	155	132	136	149	158	
	MBh	51.8	52.8	55.3	59.0	50.6	51.6	54.0	57.6	49.4	50.3	52.7	56.2	48.2	49.1	51.4	54.9	45.8	46.7	48.9	52.1	42.4	43.2	45.3	48.3	
1575	S/T	0.86	0.83	0.75	0.61	0.89	0.86	0.77	0.63	0.91	0.88	0.79	0.64	0.94	0.91	0.82	0.66	0.98	0.94	0.85	0.69	0.98	0.95	0.86	0.70	
	Delta T	26	26	24	21	26	26	24	21	26	26	24	21	26	26	25	21	26	26	24	21	24	24	23	20	
	KW	3.98	4.06	4.19	4.32	4.28	4.37	4.50	4.65	4.54	4.64	4.78	4.94	4.77	4.87	5.03	5.20	4.97	5.08	5.24	5.41	5.14	5.25	5.42	5.60	
	AMPS	14.2	14.5	15.0	15.6	15.4	15.7	16.3	16.9	16.7	17.1	17.7	18.4	17.9	18.3	19.0	19.7	20.9	21.4	22.2	23.0	22.1	22.6	23.4	24.3	
	HIPR	244	263	266	272	268	288	293	299	314	338	342	350	358	385	390	399	402	433	439	448	465	500	507	518	
	LO PR	114	118	129	137	118	122	133	141	122	126	137	146	125	129	141	150	128	132	144	153	131	135	147	157	

NOTE: Shaded area is ARI Rating Conditions

* Entering Indoor Dry Bulb Temperature

PERFORMANCE DATA

ASX140[18-60]1A* / ASX140[48-60]1B*

MODEL: ASX140181A* / CA*F3131B6A* + TXV Conditions: 80°F IDB, 67°F IWB @ 600 CFM				
Outdoor Temp. ° F.	Total Btuh	Sensible Btuh	Latent Btuh	Total Watts
75°	18,900	12,656	6,244	1,418
80°	18,675	12,664	6,011	1,459
85°	18,450	12,668	5,782	1,500
90°	18,225	12,716	5,509	1,537
95°	18,000	12,758	5,242	1,573
100°	17,550	12,674	4,876	1,604
105°	17,100	12,579	4,521	1,635
110°	16,470	12,166	4,304	1,661
115°	15,840	11,750	4,090	1,688
TVA Conditions @ 95° OD DB, 75° ID DB 63° ID WB				
95°	16,680	12,630	4,049	1,527

MODEL: ASX140241A* / CA*F3636B6A* W/.057 Orifice, Conditions: 80°F IDB, 67°F IWB @ 800 CFM				
Outdoor Temp. ° F.	Total Btuh	Sensible Btuh	Latent Btuh	Total Watts
75°	25,200	17,357	7,843	1,823
80°	24,900	17,369	7,531	1,877
85°	24,600	17,375	7,225	1,932
90°	24,300	17,440	6,860	1,980
95°	24,000	17,497	6,503	2,028
100°	23,400	17,383	6,017	2,068
105°	22,800	17,252	5,548	2,109
110°	21,960	16,686	5,274	2,144
115°	21,120	16,115	5,005	2,179
TVA Conditions @ 95° OD DB, 75° ID DB 63° ID WB				
95°	22,239	17,322	4,917	1,967

MODEL: ASX140301A* / CA*F3642C6A* W/.063 Orifice, Conditions: 80°F IDB, 67°F IWB @ 1000 CFM				
Outdoor Temp. ° F.	Total Btuh	Sensible Btuh	Latent Btuh	Total Watts
75°	30,240	20,884	9,356	2,151
80°	29,880	20,897	8,983	2,213
85°	29,520	20,905	8,615	2,275
90°	29,160	20,982	8,178	2,329
95°	28,800	21,052	7,748	2,384
100°	28,080	20,915	7,165	2,430
105°	27,360	20,757	6,603	2,477
110°	26,352	20,076	6,276	2,517
115°	25,344	19,389	5,955	2,557
TVA Conditions @ 95° OD DB, 75° ID DB 63° ID WB				
95°	26,687	20,841	5,846	2,315

MODEL: ASX140361A* / CA*F3642C6A* W/.067 Orifice, Conditions: 80°F IDB, 67°F IWB @ 1150 CFM				
Outdoor Temp. ° F.	Total Btuh	Sensible Btuh	Latent Btuh	Total Watts
75°	36,330	24,499	11,831	2,676
80°	35,898	24,515	11,382	2,754
85°	35,465	24,524	10,941	2,833
90°	35,033	24,615	10,418	2,902
95°	34,600	24,697	9,903	2,971
100°	33,735	24,535	9,200	3,030
105°	32,870	24,351	8,519	3,089
110°	31,659	23,552	8,107	3,139
115°	30,448	22,746	7,702	3,190
TVA Conditions @ 95° OD DB, 75° ID DB 63° ID WB				
95°	32,062	24,450	7,612	2,883

MODEL: ASX140421A* / CA*F4860C6A* W/.074 Orifice, Conditions: 80°F IDB, 67°F IWB @ 1300 CFM				
Outdoor Temp. ° F.	Total Btuh	Sensible Btuh	Latent Btuh	Total Watts
80°	41,500	28,216	13,284	3,116
85°	41,000	28,226	12,774	3,204
90°	40,500	28,331	12,169	3,283
95°	40,000	28,425	11,575	3,361
100°	39,000	28,240	10,760	3,428
105°	38,000	28,027	9,973	3,494
110°	36,600	27,108	9,492	3,551
115°	35,200	26,179	9,021	3,609
TVA Conditions @ 95° OD DB, 75° ID DB 63° ID WB				
95°	37,066	28,141	8,925	3,262

MODEL: ASX140481[A*/B*] / CA*F4860D6A* W/.079 Orifice, Conditions: 80°F IDB, 67°F IWB @ 1550 CFM				
Outdoor Temp. ° F.	Total Btuh	Sensible Btuh	Latent Btuh	Total Watts
75°	48,300	33,311	14,989	3,404
80°	47,725	33,333	14,392	3,503
85°	47,150	33,345	13,805	3,602
90°	46,575	33,469	13,106	3,689
95°	46,000	33,580	12,420	3,776
100°	44,850	33,361	11,489	3,850
105°	43,700	33,110	10,590	3,924
110°	42,090	32,024	10,066	3,988
115°	40,480	30,927	9,553	4,052
TVA Conditions @ 95° OD DB, 75° ID DB 63° ID WB				
95°	42,625	33,244	9,381	3,665

MODEL: ASX140601[A*/B*] / CA*F4860D6A* W/.088 Orifice, Conditions: 80°F IDB, 67°F IWB @ 1800 CFM				
Outdoor Temp. ° F.	Total Btuh	Sensible Btuh	Latent Btuh	Total Watts
75°	58,800	39,475	19,325	4,540
80°	58,100	39,501	18,599	4,682
85°	57,400	39,515	17,885	4,823
90°	56,700	39,662	17,038	4,948
95°	56,000	39,794	16,206	5,073
100°	54,600	39,534	15,066	5,179
105°	53,200	39,236	13,964	5,285
110°	51,240	37,949	13,291	5,377
115°	49,280	36,650	12,630	5,468
TVA Conditions @ 95° OD DB, 75° ID DB 63° ID WB				
95°	51,892	39,396	12,496	4,915

PERFORMANCE DATA ASX140[24-42]1B* / ASX140[18-36]1C*

MODEL: ASX140181[B*/C*/D*/] / CA*F3636*6C* W/.052 Orifice
Conditions: 80°F IDB, 67°F IWB @ 600 CFM

Outdoor Temp. ° F.	Total Btuh	Sensible Btuh	Latent Btuh	Total Watts
75°	20,000	13,600	6,400	2,260
80°	19,750	13,628	6,123	2,315
85°	19,500	13,650	5,850	2,370
90°	19,250	13,668	5,583	2,415
95°	19,000	13,680	5,320	2,460
100°	18,550	13,634	4,916	2,500
105°	18,100	13,575	4,525	2,540
110°	17,400	13,050	4,350	2,575
115°	16,700	12,525	4,175	2,610
TVA Conditions @ 95° OD DB, 75° ID DB 63° ID WB				
95°	17,600	13,552	4,048	2,390

MODEL: ASX140241[B*/C*/] / CA*F3636*6C* W/.055 Orifice,
Conditions: 80°F IDB, 67°F IWB @ 725 CFM

Outdoor Temp. ° F.	Total Btuh	Sensible Btuh	Latent Btuh	Total Watts
75°	26,100	16,704	9,396	1,860
80°	25,750	16,738	9,013	1,915
85°	25,400	16,764	8,636	1,970
90°	25,100	16,817	8,283	2,020
95°	24,800	16,864	7,936	2,070
100°	24,200	16,819	7,381	2,115
105°	23,600	16,756	6,844	2,160
110°	22,700	16,117	6,583	2,195
115°	21,800	15,478	6,322	2,230
TVA Conditions @ 95° OD DB, 75° ID DB 63° ID WB				
95°	23,000	16,790	6,210	1,990

MODEL: ASX140301[B*/C*/] / CA*F3642*6C* W/.065 Orifice,
Conditions: 80°F IDB, 67°F IWB @ 1000 CFM

Outdoor Temp. ° F.	Total Btuh	Sensible Btuh	Latent Btuh	Total Watts
75°	30,200	21,140	9,060	2,230
80°	29,850	21,194	8,657	2,295
85°	29,500	21,240	8,260	2,360
90°	29,150	21,280	7,871	2,415
95°	28,800	21,312	7,488	2,070
100°	28,100	21,216	6,885	2,520
105°	27,400	21,098	6,302	2,570
110°	26,350	20,421	5,929	2,610
115°	25,300	19,734	5,566	2,650
TVA Conditions @ 95° OD DB, 75° ID DB 63° ID WB				
95°	26,700	21,093	5,607	23,800

MODEL: ASX140361[B*/C*/] / CA*F3642*6C* W/.068 Orifice,
Conditions: 80°F IDB, 67°F IWB @ 1,200 CFM

Outdoor Temp. ° F.	Total Btuh	Sensible Btuh	Latent Btuh	Total Watts
75°	36,791	25,646	11,145	2,608
80°	36,353	25,663	10,690	2,684
85°	35,915	25,672	10,243	2,760
90°	35,477	25,768	9,710	2,830
95°	35,040	25,853	9,186	2,900
100°	34,164	25,684	8,479	2,955
105°	33,288	25,491	7,796	3,010
110°	32,061	24,655	7,406	3,060
115°	30,835	23,811	7,024	3,110
TVA Conditions @ 95° OD DB, 75° ID DB 63° ID WB				
95°	32,500	25,675	6,825	2,790

MODEL: ASX140421B* / CA*F4860C6A* W/.074 Orifice,
Conditions: 80°F IDB, 67°F IWB @ 1300 CFM

Outdoor Temp. ° F.	Total Btuh	Sensible Btuh	Latent Btuh	Total Watts
80°	41,500	28,216	13,284	3,116
85°	41,000	28,226	12,774	3,204
90°	40,500	28,331	12,169	3,283
95°	40,000	28,425	11,575	3,361
100°	39,000	28,240	10,760	3,428
105°	38,000	28,027	9,973	3,494
110°	36,600	27,108	9,492	3,551
115°	35,200	26,179	9,021	3,609
TVA Conditions @ 95° OD DB, 75° ID DB 63° ID WB				
95°	37,066	28,141	8,925	3,262

PERFORMANCE DATA

ASX140421[C/D]* - ASX140481C*

MODEL: ASX140421[C*/D*] / CA*F4860*6B* W/.070 Orifice, Conditions: 80°F IDB, 67°F IWB @ 1450 CFM				
Outdoor Temp. ° F.	Total Btuh	Sensible Btuh	Latent Btuh	Total Watts
75°	42,116	29,985	12,131	2,950
80°	41,614	30,004	11,610	3,040
85°	41,113	30,015	11,098	3,130
90°	40,611	30,127	10,485	3,205
95°	40,110	30,227	9,883	3,280
100°	39,107	30,029	9,078	3,350
105°	38,105	29,803	8,301	3,420
110°	36,701	28,826	7,875	3,475
115°	35,297	27,839	7,458	3,530
TVA Conditions @ 95° OD DB, 75° ID DB 63° ID WB				
95°	37,200	30,132	7,068	3,160

ASX140481C* / CA*F4860*6D* W/.078 Orifice Conditions: 80°F IDB, 67°F IWB @ 1550 CFM				
Outdoor Temp. ° F.	Total Btuh	Sensible Btuh	Latent Btuh	Total Watts
75°	48,300	34,776	13,524	3,260
80°	47,750	34,858	12,893	3,365
85°	47,200	34,928	12,272	3,470
90°	46,600	34,950	11,650	3,560
95°	46,000	34,960	11,040	3,650
100°	44,850	34,759	10,091	3,725
105°	43,700	34,523	9,177	3,800
110°	42,100	33,470	8,631	3,865
115°	40,500	32,400	8,100	3,930
TVA Conditions @ 95° OD DB, 75° ID DB, 63° ID WB				
95°	43,552	35,549	8,003	3,618

PERFORMANCE TEST

All data based upon listed indoor dry bulb temperature. .00 inches external static pressure on coil of outdoor section. Indoor air cubic feet per minute (CFM) as listed in the Performance Data Sheets:

If conditions vary from this, results will change as follows:

1. As indoor dry bulb temperatures increase, a slight increase will occur in indoor air temperature drop (Delta T). Low and high side pressures and power will not change.
2. As indoor CFM decreases, a slight increase will occur in indoor temperature drop (Delta T). A slight decrease will occur in low and high side pressures and power.

A properly operating unit should be within plus or minus **2 degrees** of the subcooling value shown in the installation instructions.

A properly operating unit should be within plus or minus **3 degrees** of the typical (Delta T) value shown.

A properly operating unit should be within plus or minus **10 PSIG** of the **HI PR** shown.

A properly operating unit should be within plus or minus **5 PSIG** of the **LO PR** shown.

A properly operating unit should be within plus or minus **3 Amps** of the typical value shown.

NOTE: Pressures are measures at the liquid and suction service valve ports.

WIRING DIAGRAMS

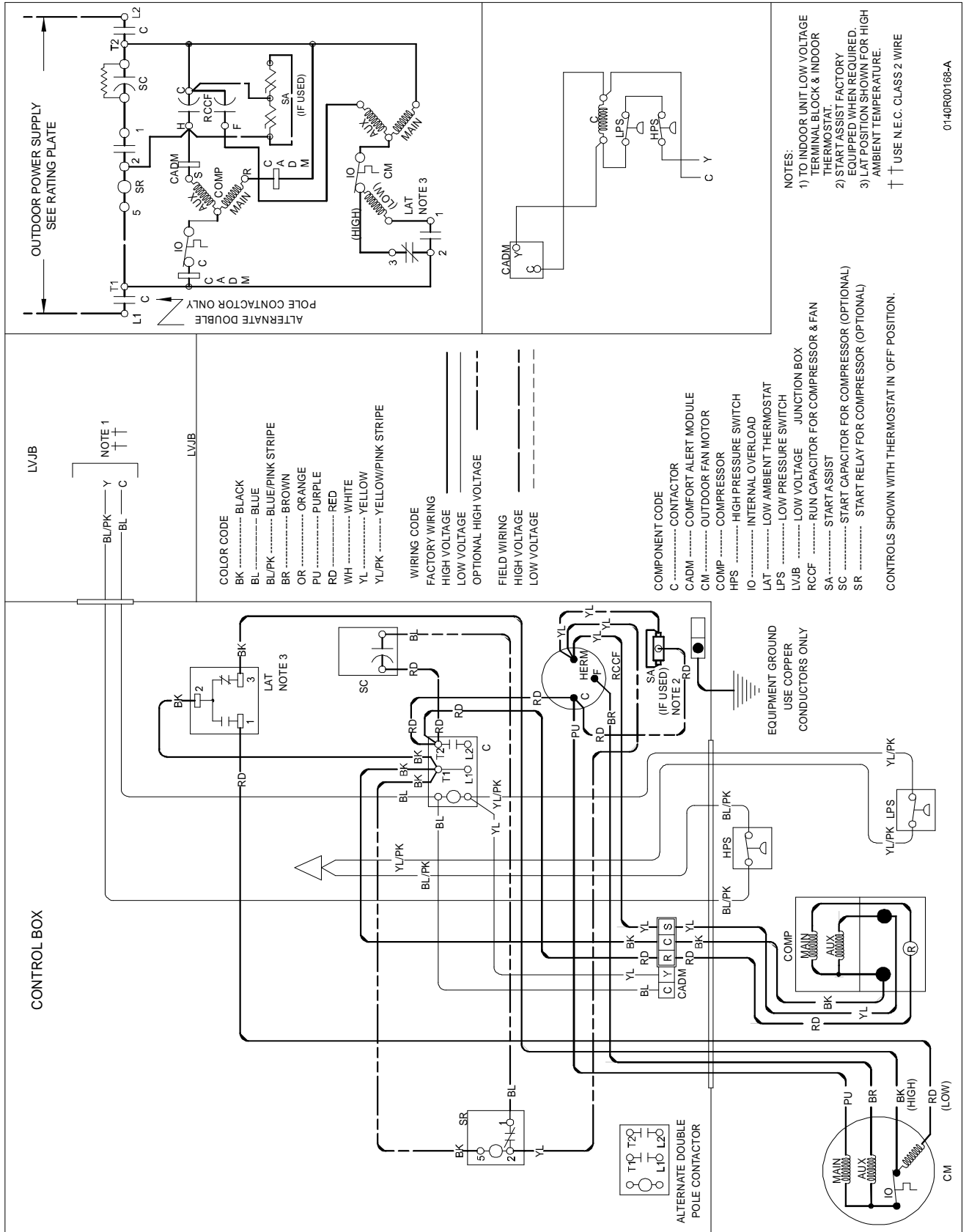
ASX140[18-36/48]1C[A/B] ASX140421D[A/B] / ASX140[48-60]1[BA/B]



WARNING

HIGH VOLTAGE!
DISCONNECT ALL POWER BEFORE SERVICING OR INSTALLING THIS UNIT. MULTIPLE POWER SOURCES MAY BE PRESENT. FAILURE TO DO SO MAY CAUSE PROPERTY DAMAGE, PERSONAL INJURY OR DEATH.





Wiring is subject to change. Always refer to the wiring diagram on the unit for the most up-to-date wiring.

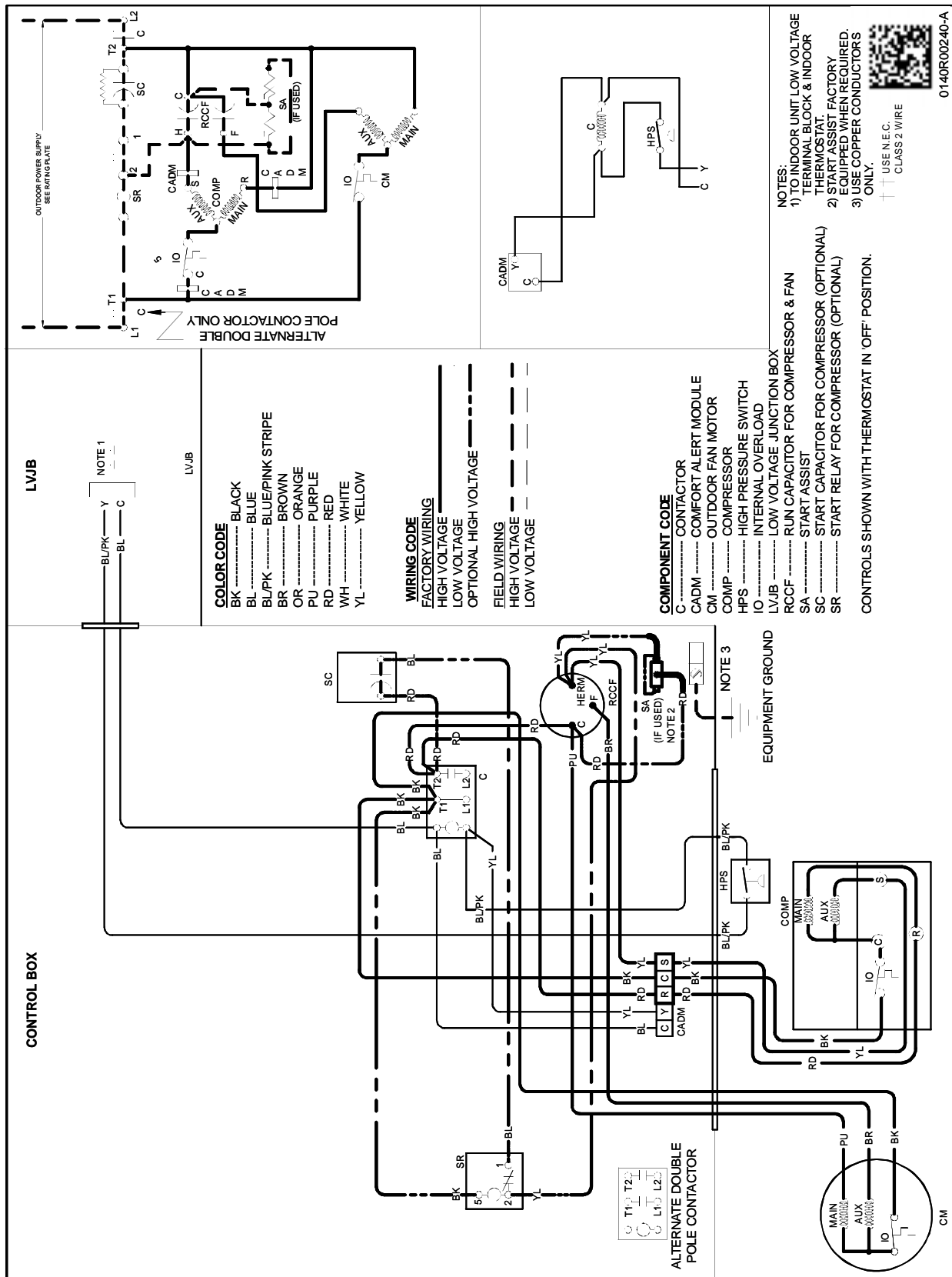
WIRING DIAGRAMS

ASX140[24-36]1CC / ASX140421DC ASX140481CB / ASX140601BC / ASX1401801D*



WARNING

HIGH VOLTAGE!
DISCONNECT ALL POWER BEFORE SERVICING OR INSTALLING THIS UNIT. MULTIPLE POWER SOURCES MAY BE PRESENT. FAILURE TO DO SO MAY CAUSE PROPERTY DAMAGE, PERSONAL INJURY OR DEATH.



Wiring is subject to change. Always refer to the wiring diagram on the unit for the most up-to-date wiring.

Free Manuals Download Website

<http://myh66.com>

<http://usermanuals.us>

<http://www.somanuals.com>

<http://www.4manuals.cc>

<http://www.manual-lib.com>

<http://www.404manual.com>

<http://www.luxmanual.com>

<http://aubethermostatmanual.com>

Golf course search by state

<http://golfingnear.com>

Email search by domain

<http://emailbydomain.com>

Auto manuals search

<http://auto.somanuals.com>

TV manuals search

<http://tv.somanuals.com>