



## Owner's Manual

# Portable Air Conditioner

## NanoMax™ AI2000EH



It is important that you read these instructions before using your new purchase and we strongly recommend that you keep them in a safe place for future reference.

**Innovative AutoDrain NanoMist Technology™**

Patent Pending

Download from [Www.Somanuals.com](http://www.Somanuals.com). All Manuals Search And Download.

# Table of Contents

Thank You .....	1
Safety Instructions .....	1-2
Specifications .....	3
Parts .....	4
AutoDrain NanoMist Technology™ Assembly .....	5
Positioning .....	6
Operation .....	7-8
Emptying the Water Container .....	9
Cleaning .....	10
Installation of the Filters .....	10
Storage.....	11
Troubleshooting .....	12
Limited Warranty .....	14

# Thank You!

Thank you for purchasing a AMCOR Portable Air Conditioner.

We would like you to enjoy the many benefits this unit offers, so please read this manual carefully and take full advantage of the many advanced features that your AMCOR Air Conditioner offers you.

In designing these advanced products, we have listened carefully to our customers and have passed their views on to our research and development laboratories.

We wish you many years of enjoyable use.

After reading this manual, please keep it in a safe place for future reference.

**Read this entire instruction manual before use.**

**Please keep your receipt. Your receipt is your Proof of Purchase and is necessary for warranty service.**

## Safety Instructions

### IMPORTANT!

- The unit is designed for indoor operation.
- Rating: This unit must be connected to a 115V/60Hz grounded outlet.
- The installation must be in accordance with regulations of the country where the unit is used.

If you are in any doubt about the electrical installation, have it checked and if necessary modified by a qualified electrician.

- The air conditioner is safe. However, as with other electrical appliances, use it with care.
- Keep out of the reach of children.
- Do not clean the unit by spraying it or immersing it in water.
- Do not insert any object into the openings of the unit.
- Disconnect the unit from the outlet before cleaning the unit or any of its components.
- Never connect the unit to an electrical outlet using an extension cord.  
If an outlet is not available, one should be installed by a licensed electrician.

### WARNING!

- Never operate this appliance if it has a damaged cord or plug. Do not lead the cord over sharp edges.
- A damaged supply cord should be replaced by the manufacturer, its service agent or a qualified person in order to avoid a hazard.
- Any service other than regular cleaning or filter replacement should be performed by an authorized service representative. Failure to do so could result in a loss of warranty.

# Safety

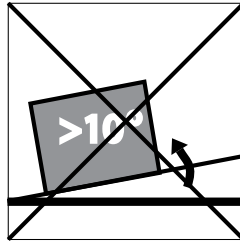
## Do not use your air conditioner:



If the power cable wires are frayed or cut



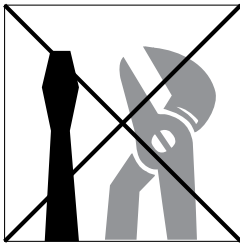
When small children may be left unattended



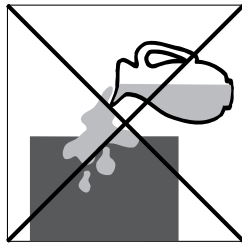
On a slope or uneven surface



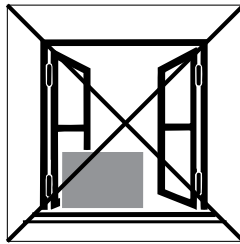
Close to a heat source



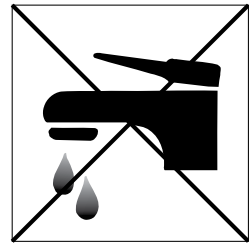
This products is not made for DIY repair



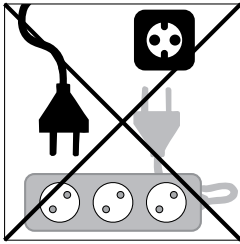
If there is a risk of liquid falling on the unit



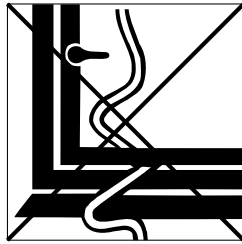
Inside unit exposed to the weather outdoors



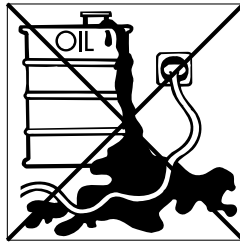
In a permanent very humid environment



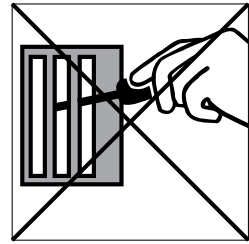
If an extension lead may become overloaded



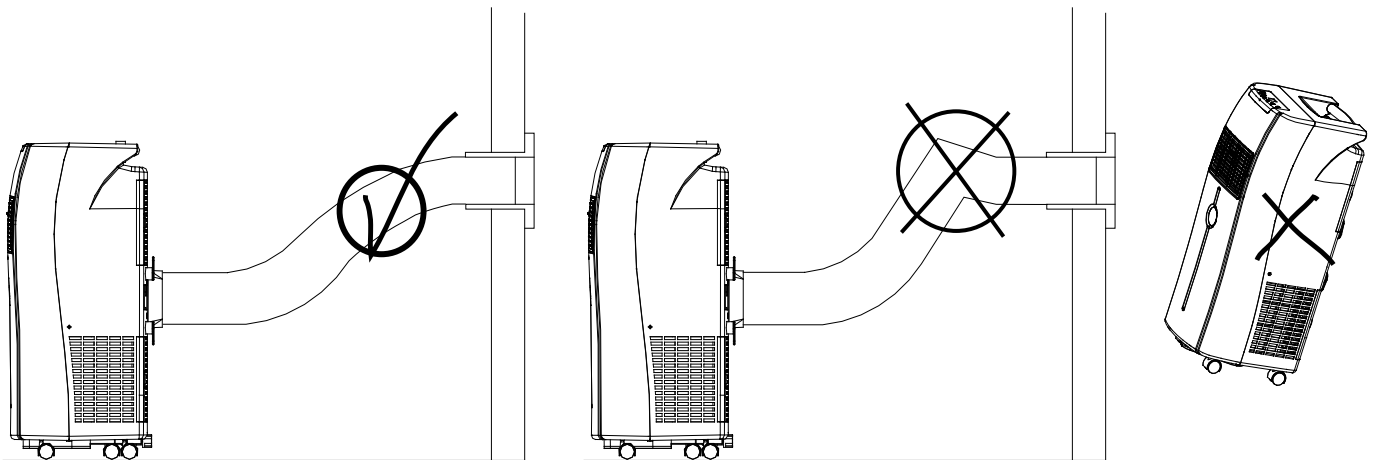
Where the power cable may be damaged



Where it may be damaged by chemicals



Where there is a risk of interference by foreign objects



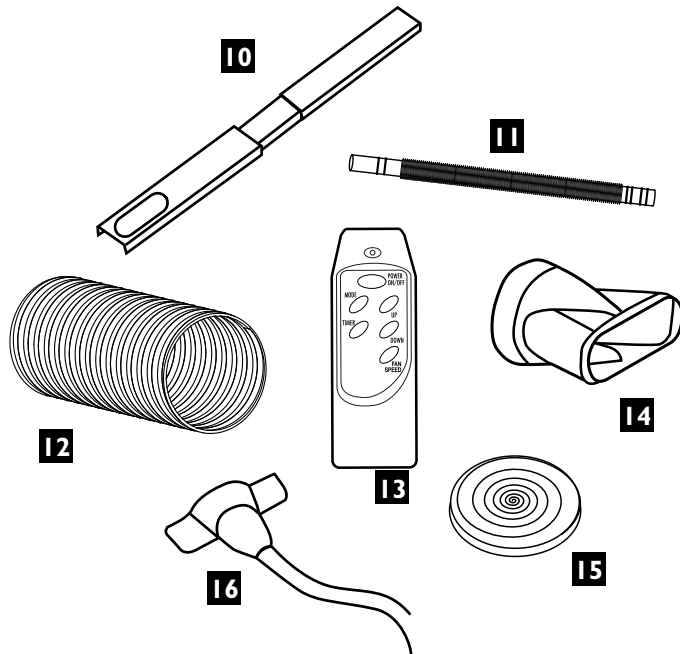
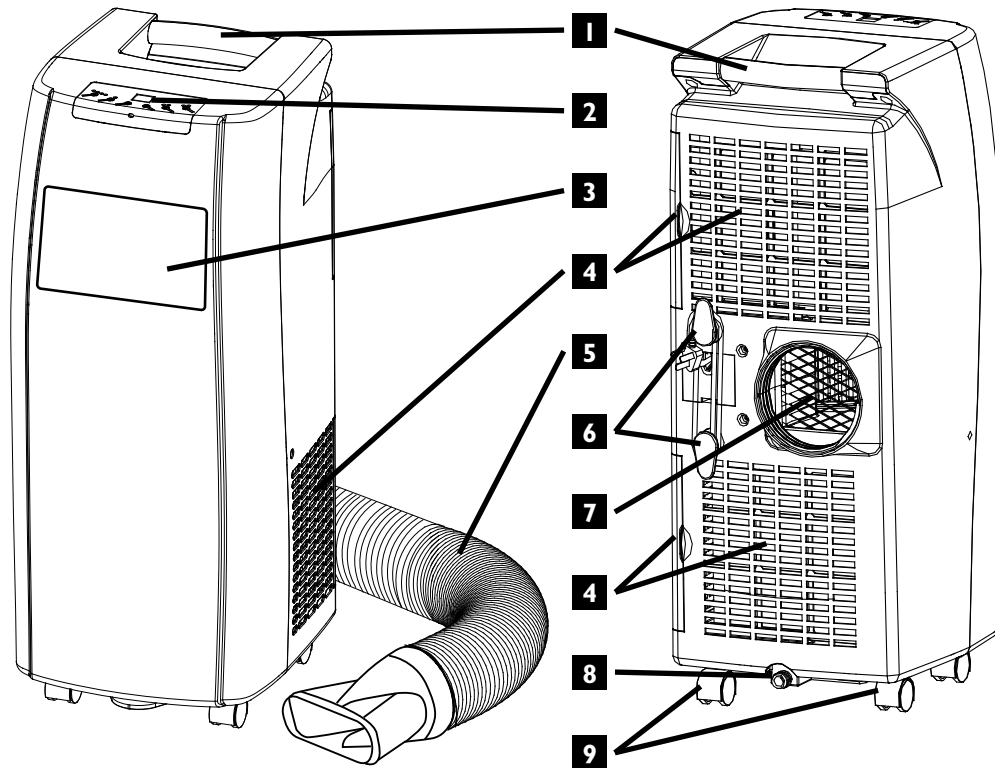
### Reminder:

Waste electrical products must not be disposed of with household waste. This product should be taken to our local recycling center for safe treatment.

# Specifications

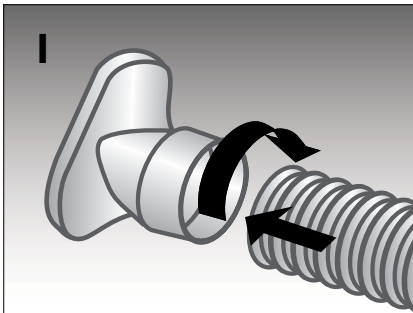
<b>Model</b>	<b>NanoMaxAI2000EH</b>
Cooling Capacity	12000 BTU/hr
Cooling Power Consumption/ Current	830W / 7.9A
Dehumidification in Cooling Mode	50 Pints / 24h
Heating Capacity	7000 BTU/hr
Heating Power Consumption	830 W / 7.9 A
Moisture removal in Heating Mode	N/A
Power Supply	115V / 60Hz
Refrigerant	R22
Compressor	Rotary
Fan Speeds	2
Thermostat	62° - 90° F
Timer	1 - 12 Hours
Dimensions	12"W x 15"D x 30"H
Weight	53 lbs.
Subject to modifications without prior notice. Please refer to the rating label for greater precision.	

# Parts



1. Handle
2. Control panel
3. Air outlet
4. Air inlet with filter
5. Exhaust hose with adapter
6. Power cord hanger
7. Exhaust air outlet
8. Water stopper (plug inside)
9. Casters
10. Adjustable Window Slide Bar
11. Flexible Drain Hose
12. Exhaust hose
13. IR Ergonomic Remote Control
14. Exhaust Hose Window Slide Bar Connector
15. Insulation tape
16. Spiral water pipe with connector

# AutoDrain NanoMist Technology™ Assembly



1 Stretch end of the hose slightly. Attach Window Slide Bar Connector to Exhaust Hose by twisting as shown.



2 Put spiral water pipe into hot air flexible hose.



3 Connect the female half of the quick connector at the end of the spiral water pipe to the male part in the hot air outlet pipe.



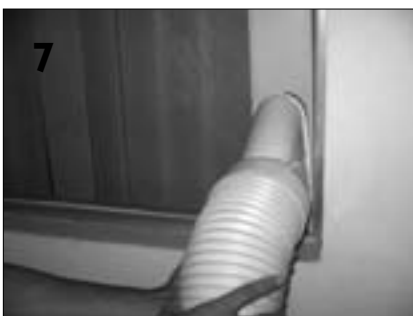
4 Turn the connector 90° clockwise until it is locked in place.



5 Stretch end of the hose slightly. Assemble the hot air hose on the unit by screwing in clockwise.



6 Clip on the water atomizer at the end of the spiral pipe to the holder.



7 Unfold flexible hose with attached hose adapter connector, and snap into Window Slide Bar.

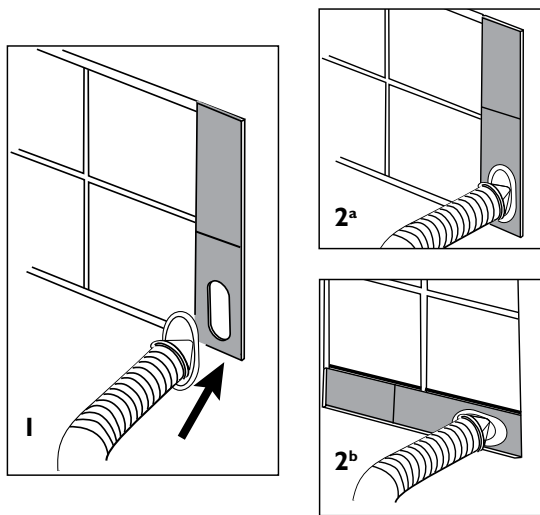


**Only Required For Disassembly.**  
In order to unlock the quick connector, push the tab and turn the connector counter-clockwise.

# Positioning

This unit can easily be moved from one room to another. In doing so keep this in mind:

- The air conditioner must stand upright on an even surface.
- Do not position near bath, sink, or other permanent wet or damp area.
- Keep unit at least 18" from wall, curtains, draperies, to insure adequate air circulation.



## Installing Exhaust Hose to Window Slide Bar

After assembling Innovative AutoDrain NanoMist Technology™ per instructions on page 5, make sure hose is firmly attached to oval connector that fits into window slide bar.

Snap hose connector into window slide bar opening. See Illustration 1.

Extend window slide bar to fit your window opening, either vertical or horizontal, depending on how the window opens. See Illustrations 2a-2b.

## Important

**The flexible exhaust hose can be extended from 12" to 60" for mounting.**

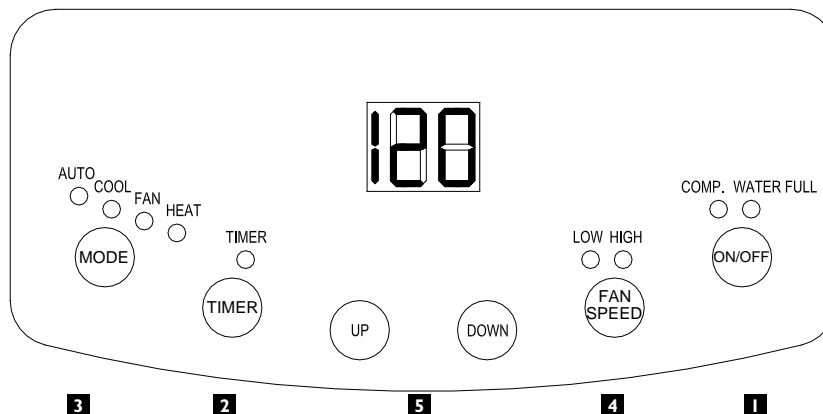
**This length has been designed especially according to the specifications of the air conditioner.**

**Do not use an extension or exchange for a different hose as that may lead to malfunctioning.**

The exhaust air must flow freely, any blockage can lead to overheating of the air conditioner. Take care to prevent any kink or bend in the exhaust hose.



# Operation



## 1. ON/OFF

Press the ON/OFF-button to switch the unit on or off.

## 2. Setting the Timer

Press the TIMER button, which will start the timer counter function.

Each press of the timer button will advance the timer setting by 1 hour, for setting 1-12 hours. If you pass the desired hour setting, you must advance the numbers completely through 12, to start timer count from 1. When set, the TIMER LED will light up.

When the set hours have elapsed, the unit will turn off automatically.

The display will show the hour(s) remaining when you press the TIMER button.

By pressing the TIMER button but without turning the unit on, you can pre-set in how many hour(s) the unit will switch on automatically.

## 3. Setting the Operating Mode

Select the required operating mode: COOL, HEAT, FAN, or AUTO. The corresponding LED will lit. In AUTO mode the unit will select cooling, heating, or fan depending on the ambient temperature.

## 4. Fan Speed

Select the fan speed, the corresponding LED will lit: LOW or HIGH.

## 5. Increase UP or DOWN

**When the unit is ON, the display  $\overline{88}$  always shows the room temperature.**

Press button UP or DOWN to see the current set temperature and adjust if necessary, in the range of 62°F to 90°F. After 8 seconds, the room temperature will be displayed.

## Warning lights COMPRESSOR and WATER FULL

When the water container is full, the unit automatically stops, the warning light WATER FULL will flash to signal that the container must be emptied (see page 9, "Emptying The Water Container").

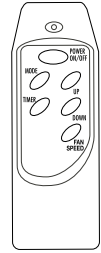
When the unit is cooling, the compressor light will be on. If this light is off further cooling is not needed at this time, or the compressor may be de-icing its coils.

The fan can still be on.

# Operation

## Remote control

The air conditioner responds to all signals that are sent by the remote control. Two AAA-batteries are required to use the remote control. Point the remote control hand set towards the control panel of the unit and press the relevant button, the red LED on the hand set will flash whenever a button is pressed.

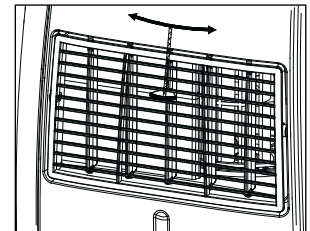


Note: the air flow direction can not be adjusted with the remote control.

## Air flow

Adjust the left-right direction of the outflowing air by turning the roller on the front of the air outlet grill.

Adjust the up/down air flow by rotating the air outlet grill.



## Important:

- The compressor will start approximately 3 minutes after the unit is turned on (this will help prolong the life of the compressor). After switching the unit off, please wait at least 3 minutes before turning the unit back on.
- The compressor will switch off when the room temperature is lower than the set temperature. The fan will however continue to work. When ambient temperature rises above the set temperature, the cooling will resume.

# Emptying The Water Container

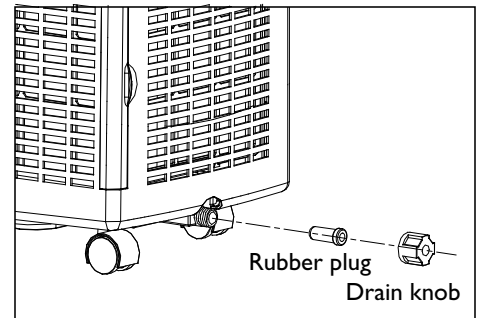
**This air conditioning does not require emptying of the water container, except prior to season end storage.**

## **This portable AC features the Innovative AutoDrain NanoMist Technology™**

Very little excess water should accumulate. During the process of cooling, some of the water accumulated is actually used to cool the unit internally, making it run more efficiently. Both this evaporative technology and Innovative AutoDrain NanoMist Technology™ are features not found in most portable air conditioners.

### **Switch off the unit and remove the plug from the outlet.**

- Position a flat container or dish on the floor under the drain hole. Do not allow the water to drip continuously into the container as it might easily overflow.
- Remove the drain knob.
- Remove the rubber plug, the water will flow in the container. When this is nearly full, replace the plug to stop the water flow and empty it. Repeat this process until all water has been removed.
- Replace the rubber plug into the drain hole firmly, the WATER FULL LED should not flash any longer.
- Replace the drain knob.



# Cleaning

Always unplug the unit from the power supply (wall outlet) before beginning the cleaning.

## Housing

Use a soft, damp cloth to wipe the body clean. Never use strong chemicals, oil-based products, detergents, chemically treated cloths or other cleaning solutions. These could possibly damage the housing.

## Filter

Use a vacuum cleaner or tap the filter lightly to remove loose dust and dirt from the filters and then rinse them thoroughly under running water (not warmer than 104°F).

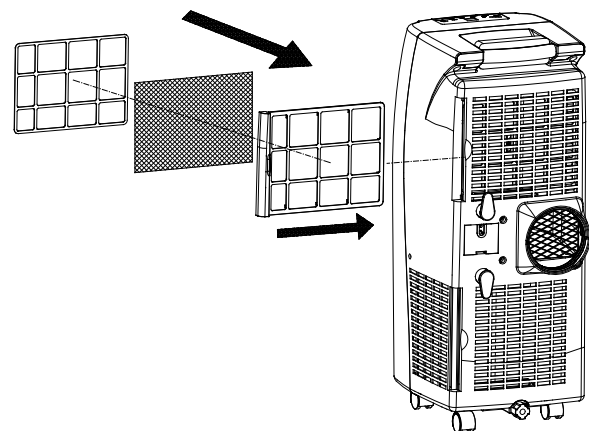
Dry thoroughly before replacing.

**Notice! Never operate the air conditioner without the filters.**

# Installation of Carbon Filter

It is recommended to replace an active carbon filter at the start of the season.

- Remove the top filter frame from the unit by pulling it out.
- Separate the fixer from the filter frame.
- Insert the active carbon filter into the filter frame, underneath the tabs.
- Re-fit the filter frame inside the unit.



# Storage

**At the end of AC Season, this unit should be drained prior to storage. Refer to “Emptying the Water Container” section of this manual.**

- Drain the condensed water (if any) completely.
- Clean or change the filter.
- Put the unit on a warm day in fan mode for a couple of hours to ensure that the inside can dry out completely.
- Store the power cable as shown, protect the unit against dust (put back into its original carton) and store in a dry place not accessible for children.
- To protect the unit against dust, store in a dry place not accessible by children.
- Do not stock heavy objects on top of the unit.

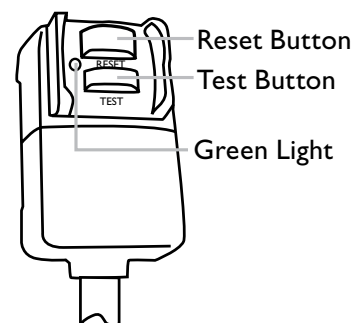
# Troubleshooting

**Never try to repair or dismantle the air condition yourself. Incompetent repairs result in loss of warranty and can endanger the user and the property.**

Problem	Cause	Solution
The air conditioner does not function.*	No power supply. Make sure the green light on the plug is lit.	Connect to a functioning outlet and switch on.
	Is the power light flashing? Is the water full LED lit?	Empty the drain pan.
The air conditioner does not seem to perform.	The unit is in direct sunlight.	Close curtains.
	Windows or doors open, many people or a heat source in the room.	Close doors and windows, place an extra air conditioner.
	The filter is dirty.	Clean or replace the filter.
	Air inlet or air outlet blocked.	Remove the blockage.
	Room temperature lower than the selected value.	Change temperature selection. Set at the lowest possible setting: 62°F.
The unit is noisy.	Unit stands uneven.	Place on an even, solid surface (less vibrations).
The compressor does not work.	The overheat protection may be activated.	Wait 30 minutes until the temperature has decreased, then turn on the unit again.
The remote control does not function.	Distance too great.	Make sure the remote control is correctly aimed at the control panel.
	Remote control signal not detected by the control panel.	
	The batteries are drained.	Replace the batteries.

\* If you plug in the Air Conditioner, and there is no green light on the plug, press the reset button on the LCDI plug. The green light should be lit, indicating that the air conditioner is getting power from the electrical outlet.

If the plug continues to trip (which is a USA national safety standard feature) and the green light goes off, the cord may be damaged preventing you from resetting the unit. For your safety, contact a licensed electrician.





**Don't forget to register your Amcor purchase online,  
and view our broad selection of innovative products.**

**[www.amcorgroupusa.com](http://www.amcorgroupusa.com)**



## One Year Limited Warranty (5 Years for Compressor Only)

Amcor, Inc. (“Amcor”) warrants the original retail purchaser (“Purchaser”) purchasing in the United States that the Amcor product with which this warranty is enclosed is free from defects in materials and workmanship.

Amcor’s sole obligation under this warranty is to replace, or at Amcor’s discretion, to repair, free of charge, all defective parts, for a period of one (1) year from date of original purchase. (5 years for Compressor Only) ANY IMPLIED WARRANTY OF MERCHANTABILITY IS SIMILARLY LIMITED TO ONE (1) YEAR -(5 years for Compressor Only) FROM DATE OF ORIGINAL PURCHASE AND NO ACTION BASED UPON ANY IMPLIED WARRANTY OF MERCHANTABILITY OR OTHERWISE MAY BE COMMENCED AFTER EXPIRATION OF ONE (1) YEAR -(5 years for Compressor Only) FROM DATE OF ORIGINAL RETAIL PURCHASE. Some states do not allow limitations on how long an implied warranty lasts, so the above limitation -(5 years for Compressor Only) may not apply to you.

The provisions of this warranty shall not apply to any product which in Amcor’s judgment has been (1) subject to misuse or neglect. (2) damaged in an accident. (3) used for a purpose for which it was not designed, or (4) repaired or altered in any way that adversely affected its performance or reliability. **Do not attempt to “open unit”, except for filter replacement. Opening unit will void manufacturers warranty.**

To obtain warranty service, the defective product or part must be shipped or delivered to: Amcor the Manufacturer. **Shipping charges and insurance are only covered by Amcor during first 30 day period after purchase, solely for defective product.**

AMCOR NEITHER ASSUMES NOR AUTHORIZES ANY PERSON TO ASSUME FOR IT ANY OTHER ( LIABILITY IN CONNECTION WITH ITS PRODUCTS, THERE ARE NO WARRANTIES WHICH EXTEND BEYOND THE DESCRIPTION ON THE FACE HEREOF. NO RESPONSIBILITY IS ASSUMED FOR INCIDENTAL OR CONSEQUENTIAL DAMAGES THAT MAY RESULT FROM THE USE OF AN AMCOR PRODUCT, NOR FOR THE DAMAGES DUE TO ACCIDENT, ABUSE, LACK OF RESPONSIBLE CARE, THE AFFIXING OF ANY UNAUTHORIZED ATTACHMENT, LOSS OF PARTS, OR USE AT A VOLTAGE OTHER THAN SPECIFIED. Some states do not allow the exclusion of limitation of incidental or consequential damages, so these limitations may not apply to you. Amcor disclaims all liabilities for defects or damages caused by use of replacement parts obtained from or by service at any service center other than Amcor the Manufacturer.

This warranty gives you specific legal rights, and you may also have other rights which vary from state to state.

Product: **Portable Air Conditioner**

Model: NanoMaxAI2000EH

Date Purchased: \_\_\_\_\_

Production Code: \_\_\_\_\_

QUESTIONS? Call 866-361-2233

[www.amcorgroupusa.com](http://www.amcorgroupusa.com)

02/2008

913127960

Dear Customer: Please keep this warranty for your record.  
**DO NOT** return it.





## Manual del propietario

# Unidad de aire acondicionado portátil NanoMax™ AI2000EH



Es importante que lea estas instrucciones antes de utilizar su nuevo producto y recomendamos encarecidamente que las conserve en un lugar seguro para referencia futura.

**Innovador Tecnológico desaguadero automático de Niebla Fina™**

Patente pendiente

Download from [www.Somanuals.com](http://www.Somanuals.com). All Manuals Search And Download.

# Índice

Agradecimientos .....	1
Instrucciones de seguridad .....	1-2
Especificaciones .....	3
Partes .....	4
Ensamblaje del atomizador de agua .....	5
Posicionamiento .....	6
Funcionamiento .....	7-8
Vaciado del recipiente de agua.....	9
Limpieza .....	10
Instalación de los filtros .....	10
Almacenaje .....	11
Identificación y resolución de problemas .....	12
Garantía limitada .....	14

# Agradecimientos

Gracias por su compra de una unidad de aire acondicionado portátil AMCOR .

Deseamos que disfrute los numerosos beneficios brindados por esta unidad, así que sírvase leer detenidamente este AMCOR.

En el diseño de estos productos avanzados, hemos prestado mucha atención a nuestros clientes y hemos indicado sus puntos de vista a nuestros laboratorios de investigación y desarrollo.

Le deseamos que disfrute de este producto durante muchos años.

Después de leer este manual, consérvelo en un lugar seguro para referencia futura.

**Lea este manual de instrucciones completo antes de usar.**

**Preserve su recibo. Su recibo es su comprobante de compra y es necesario para el servicio bajo garantía.**

## Instrucciones de seguridad

### ¡IMPORTANTE!

- La unidad está diseñada para operación en áreas interiores.
- Clasificación: Esta unidad debe conectarse a un tomacorriente de 115V / 60Hz conectado a tierra.
- La instalación debe ser de conformidad con los reglamentos del país donde se utiliza la unidad.  
Si tiene dudas sobre la instalación eléctrica, pida a un electricista competente que la revise y la modifique si es necesario.
- La unidad de aire acondicionado es segura. Sin embargo, igual que con otros artefactos eléctricos, se debe usar con precaución.
- Mantenga este producto fuera del alcance de los niños.
- No limpie la unidad rociándola o sumergiéndola en agua.
- No inserte ningún objeto en las aberturas de la unidad.
- Desenchufe la unidad para limpiarla o limpiar cualquier componente.
- Nunca use un cable de extensión para conectar la unidad a un tomacorriente.  
Si no hay un tomacorriente disponible, pida a un electricista licenciado que le instale uno.

### ¡ADVERTENCIA!

- Nunca opere este artefacto si tiene el cordón o el enchufe dañado.  
No arrastre el cordón sobre bordes afilados.
- Un cordón de alimentación dañado debe ser reemplazado por el fabricante, su agente de servicio o una persona competente para prevenir un peligro.
- Cualquier servicio, salvo por la limpieza regular o el reemplazo del filtro, debe ser realizado por un representante de servicio autorizado. De lo contrario, podría invalidarse la garantía.

# Seguridad

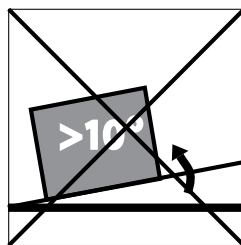
## No use la unidad de aire acondicionado:



Si los alambres del cable de alimentación están pelados o cortados



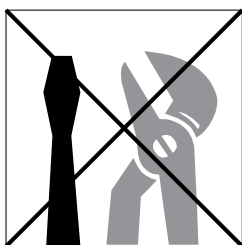
Cuando pudiese haber niños pequeños desatendidos



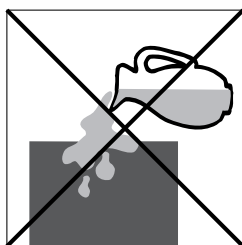
En una superficie inclinada o irregular



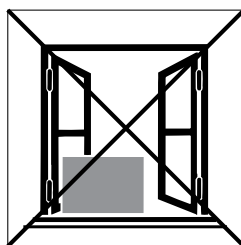
Cerca de una fuente térmica



Este producto no está diseñado para que sea reparado por el usuario



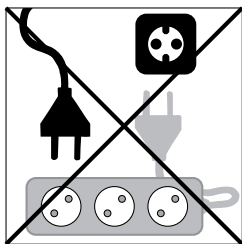
Si existe un riesgo de que caiga líquido sobre la unidad



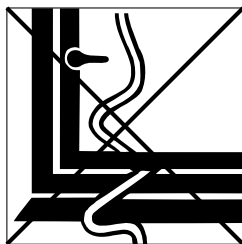
Si la unidad interior está expuesta a las condiciones climáticas exteriores



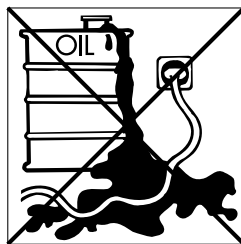
En un entorno muy húmedo



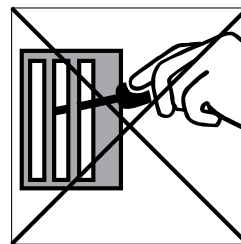
Si un conductor de extensión pudiese estar sobrecargado



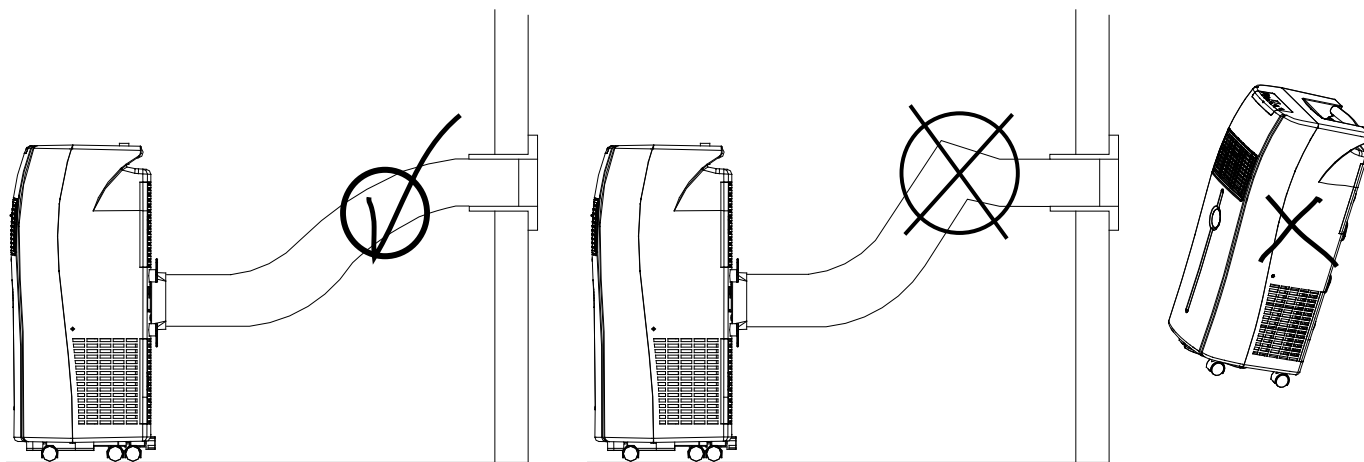
En un lugar donde el cable de alimentación pueda resultar dañado



Donde pueda ser dañado por productos químicos



Donde exista un riesgo de interferencia de objetos extraños



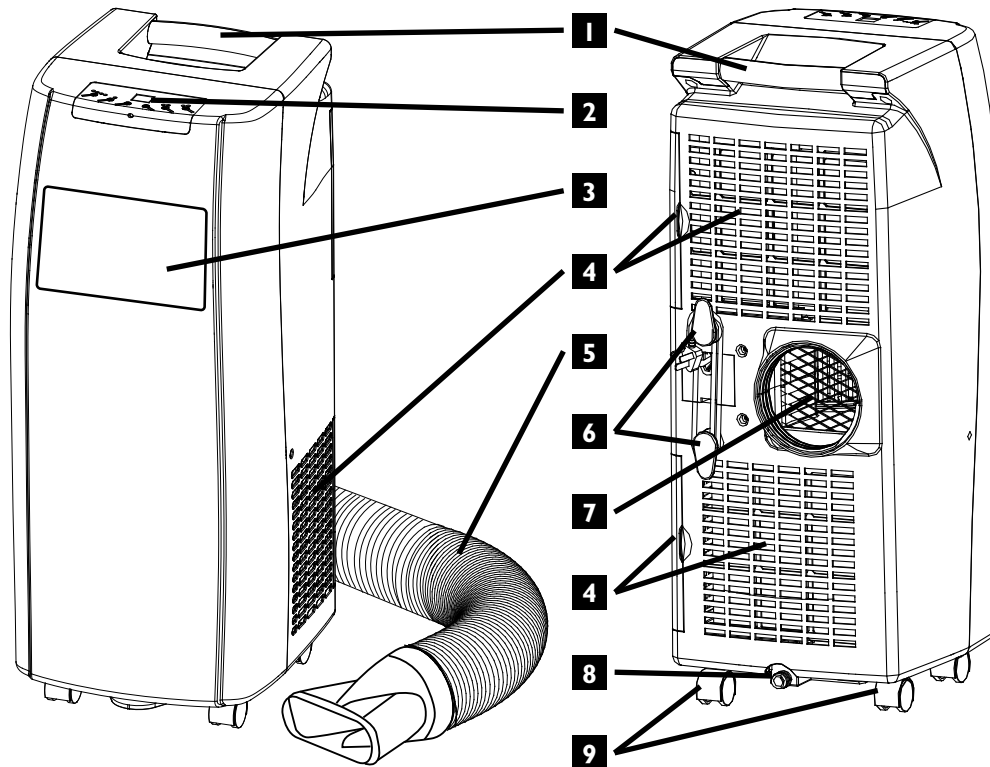
### Recordatorio:

Los productos eléctricos residuales no deben desecharse con los residuos domésticos. Este producto debe ser transportado a un centro de reciclaje local para que sea manejado sin riesgos.

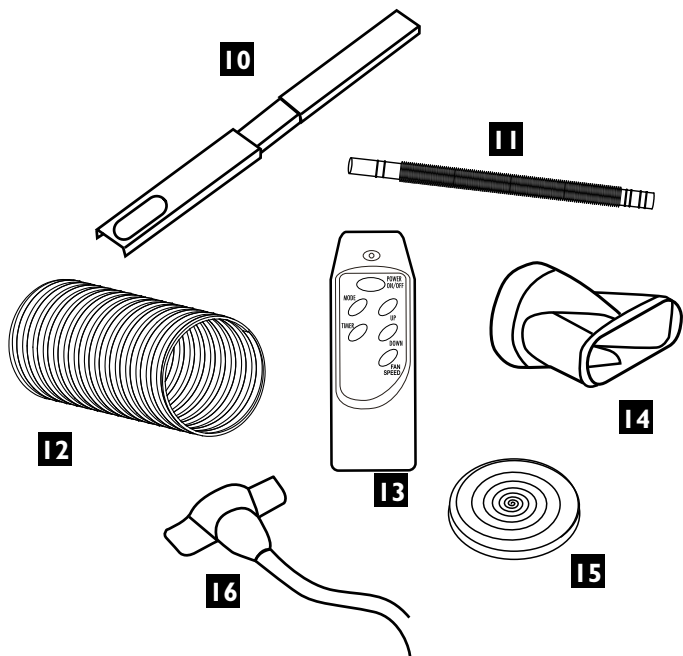
# Especificaciones

<b>Modelo</b>	<b>NanoMaxAI2000EH</b>
Capacidad de enfriamiento	12000 BTU/hr
Consumo de energía de enfriamiento / Corriente	830W / 7.9A
Deshumidificación en modo de enfriamiento	50 Pintes / 24h
Capacidad de Calefacción	7000 BTU/hr
Consumo de energía de Calefacción / Corriente	830 W / 7.9A
Deshumidificación en modo de Calefacción	N/A
Fuente de alimentación	115V / 60Hz
Refrigerante	R22
Compresor	Rotatif
Velocidades del ventilador	2
Termostato	62° - 90° F
Reloj	1 - 12 horas
Dimensiones	12"W x 15"D x 30"H
Peso	53 libras
<b>Sujeto a modificaciones sin previo aviso. Consulte la etiqueta de clasificación para mayor precisión</b>	

# Partes

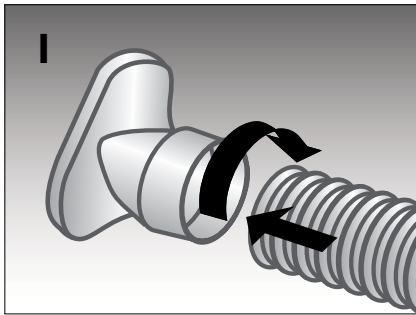


1. Manija
2. Panel de control
3. Salida de aire
4. Entrada de aire con filtro
5. Manguera de escape con adaptador
6. Colgador del cordón de alimentación
7. Salida de aire de escape
8. Tapón de agua (tapón interior)
9. Ruedas giratorias

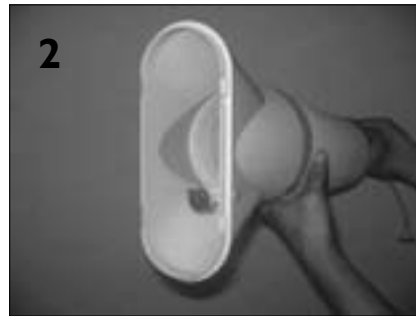


10. Barra corrediza ajustable para la ventana
11. Manguera de drenaje flexible
12. Manguera de escape
13. Unidad de control remoto IR ergonómica
14. Conector de la barra corrediza para la ventana y manguera de escape
15. Cinta aislante
16. El Tubo espiral de Agua con el conector

# Ensamblaje de la función AutoDrain NanoMist Technology™



Estire el fin de la manguera levemente. Conecte el conector de la barra corrediza para la ventana a la manguera de escape girándola en la forma mostrada.



Instale la tubería de agua espiral dentro de la manguera flexible de aire caliente.



Conecte la mitad hembra del conector rápido en el extremo de la tubería de agua espiral a la parte macho de la tubería de salida de aire caliente



Gire el conector 90 grados en sentido horario hasta trabarlo en posición.



Estire el fin de la manguera levemente. Ensamble la manguera de aire caliente en la unidad al atornillar reloj sabio.



Enganche el atomizador de agua en el extremo de la tubería espiral al sujetador.



Estire la manguera flexible con el conector del adaptador conectado e instálala a presión en la barra corrediza para la ventana.



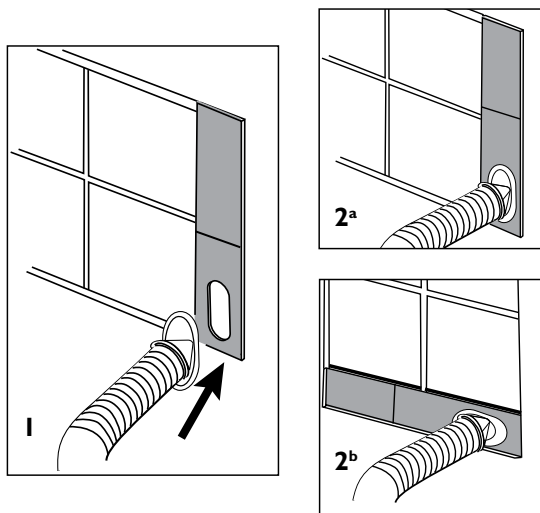
**Paso requerido para el desarmado únicamente.**

Para destrabar el conector rápido, empuje la lengüeta y gire el conector en sentido contrario a las agujas del reloj.

# Posicionamiento

Esta unidad puede moverse de un cuarto a otro con facilidad. Al hacerlo, recuerde lo siguiente:

- La unidad de aire acondicionado debe mantenerse en posición vertical sobre una superficie pareja.
- No la sitúe cerca del baño, lavabo u otra área permanentemente húmeda o mojada.
- Mantenga la unidad a una distancia mínima de 18 pulgadas de la pared o de las cortinas para garantizar una circulación de aire adecuada.



## Instalación de la manguera de escape en la barra corrediza para la ventana

Después de ensamblar la función Innovative AutoDrain NanoMist Technology™ según las instrucciones en la página 5, asegúrese de que esté firmemente sujeto al conector ovalado que calza en la barra corrediza para la ventana.

Instale a presión el conector de la manguera en la abertura de la barra corrediza para la ventana. Consulte la ilustración 1.

Extienda la barra corrediza para que calce en la abertura de la ventana, ya sea vertical u horizontal, dependiendo del modo de abrir la ventana. Consulte las ilustraciones 2a y 2b

## Importante

**La manguera de escape flexible puede extenderse de 12 a 60 pulgadas para el montaje.**

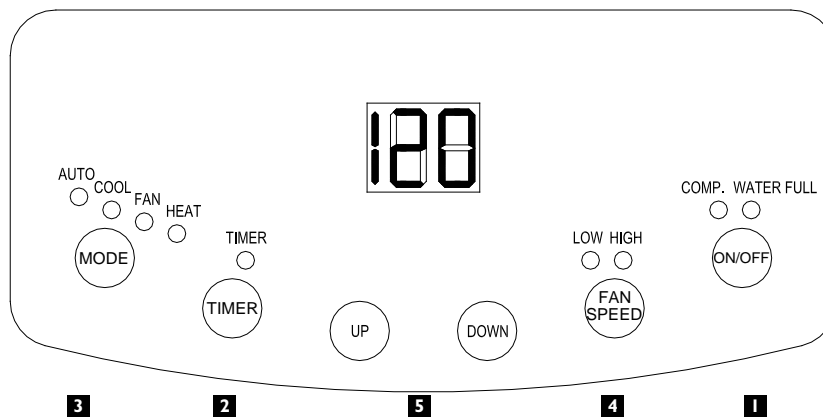
**Esta longitud se ha diseñado especialmente de conformidad con las especificaciones de la unidad de aire acondicionado.**

**No utilice una extensión ni cambie a una manguera diferente que pueda producir una avería.**

El aire de escape debe circular libremente; un bloqueo puede producir recalentamiento de la unidad de aire acondicionado. Tenga cuidado para no enrollar o doblar la manguera de escape.



# Funcionamiento



## 1. ENCENDIDO/APAGADO

Presione el botón ON/OFF (encendido/apagado) para encender o apagar la unidad.

## 2. Ajuste del reloj

Presione el botón del reloj para activar la función del contador del reloj. Cada vez que se presione el botón del reloj, se avanza el ajuste 1 hora, con un intervalo de ajuste de 1 a 12 horas. Si pasa el ajuste deseado, debe avanzar los números hasta el 12 para comenzar la cuenta del reloj desde 1. Una vez ajustado, se encenderá el diodo luminoso TIMER (reloj). Una vez que hayan transcurrido las horas ajustadas, la unidad se apagará automáticamente. La pantalla mostrará las horas restantes cuando presione el botón TIMER (reloj). Al presionar el botón TIMER (reloj) sin encender la unidad, puede preajustar en cuántas horas la unidad se encenderá automáticamente.

## 3. Ajuste del modo de funcionamiento

Seleccione el modo de funcionamiento requerido: COOL (enfriamiento), HEAT (Calor), FAN (ventilador) o AUTO. Se encenderá el diodo luminoso correspondiente. En modo AUTO, la unidad seleccionará enfriamiento, calefacción, o ventilador dependiendo de la temperatura ambiente.

## 4. Velocidad del ventilador

Seleccione la velocidad del ventilador; se encenderá el diodo luminoso correspondiente: LOW (baja) o HIGH (alta).

## 5. Aumentar o reducir el ajuste de temperatura cuándo la unidad está prendida, el despliegue **BB** siempre muestra la temperatura en el espacio.

Presione el botón UP (aumentar) o DOWN (reducir) para ver la temperatura ajustada y cambiarla si es necesario - en el intervalo de 62°F a 90°F – con los botones UP o DOWN (1°F cada vez que se oprime el botón). Después de unos segundos, la temperatura ambiente será demostrada.

## Luces de advertencia COMPRESSOR (compresor) y WATER FULL (lleno de agua)

Cuando el recipiente de agua está lleno, la unidad se detiene automáticamente, la luz de advertencia WATER FULL se encenderá y apagará en forma intermitente para señalar que se debe vaciar el recipiente (consulte la página 9 “Vaciado del recipiente de agua”).

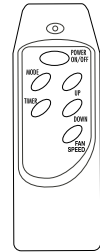
Cuando la unidad está enfriando, la luz compresor estará encendida. Si la luz está apagada, no se necesita más enfriamiento por ahora o el compresor podría estar descongelando sus serpentines.

El ventilador puede continuar encendido.

# Funcionamiento

## Unidad de control remoto

La unidad de aire acondicionado responde a todas las señales transmitidas por la unidad de control remoto. Se necesitan dos pilas AAA para usar la unidad de control remoto. Apunte la unidad de control remoto hacia el panel de control de la unidad y presione el botón relevante – el diodo luminiscente rojo en la unidad de control remoto se encenderá y apagará en forma intermitente cada vez que se presiona un botón.

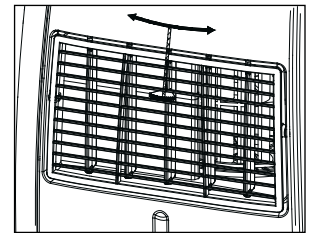


Nota: La dirección de flujo de aire no puede ajustarse con la unidad de control remoto.

## Flujo de aire

Ajuste la dirección izquierda o derecha de la salida de aire girando el rodillo delante de la rejilla de salida de aire.

Ajuste el flujo de aire de arriba/abajo girando la parrilla aérea de salida.



## Importante:

- El compresor se activará aproximadamente 3 minutos después que se encienda la unidad (esto ayudará a prolongar la vida útil del compresor). Después de apagar la unidad, espere al menos 3 minutos antes de encenderla nuevamente.
- El compresor se apagará cuando la temperatura ambiente sea inferior a la temperatura ajustada. Sin embargo, el ventilador continuará funcionando. Se reanudará el enfriamiento cuando la temperatura ambiente aumenta por encima de la temperatura ajustada.

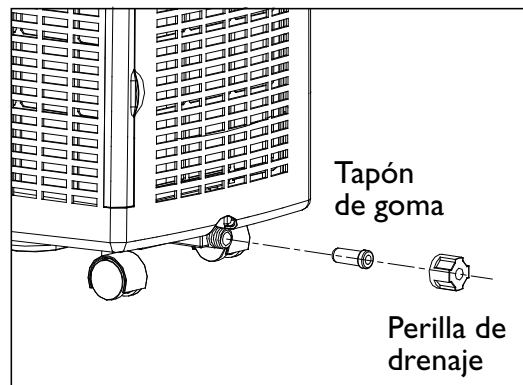
# Vaciado del recipiente de agua

## La unidad de aire acondicionado portátil brinda la función Innovative AutoDrain NanoMist Technology™

El exceso de agua acumulada debe ser mínimo. Durante el proceso de enfriamiento, parte del agua acumulada se utiliza para enfriar la sección interna de la unidad para mejorar su eficiencia. Esta tecnología de evaporación y la función Innovative AutoDrain NanoMist Technology™ no se incluyen en la mayoría de las unidades de aire acondicionado.

### Apague la unidad y retire el tapón de la salida.

- Sitúe un recipiente plano o una bandeja en el suelo debajo del agujero de drenaje. No deje que el agua gotee en forma continua en el recipiente ya que podría desbordarse fácilmente.
- Retire la perilla de drenaje.
- Quite el tapón de goma y fluirá agua al recipiente. Cuando esté casi lleno, reinstale el tapón para detener el flujo de agua y vacíela. Repita este proceso hasta haber extraído el agua por completo.
- Reinstale firmemente el tapón de goma en el agujero de drenaje; el diodo luminoso WATER FULL dejará de encenderse y apagarse en forma intermitente.
- Reinstale la perilla de drenaje.



# Limpieza

Siempre desenchufe la unidad de la fuente de alimentación (tomacorriente de pared) antes de comenzar la limpieza.

## Cubierta

Limpie la caja con un paño suave húmedo. Nunca use productos químicos fuertes, productos a base de aceite, detergentes, paños tratados con productos químicos u otras soluciones de limpieza. Estos podrían dañar la cubierta.

## Filtro

Utilice una aspiradora o golpee suavemente el filtro para quitar el polvo y residuos sueltos, luego enjuague bien el filtro con agua corriente (a una temperatura máxima de 104°F).

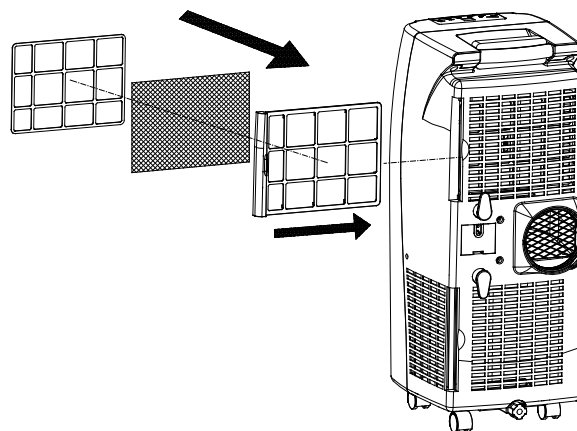
Seque bien el filtro antes de reinstalarlo.

**¡Aviso! Nunca opere la unidad de aire acondicionado sin los filtros.**

# Instalación de filtro de carbón

Es recomendado reemplazar un filtro activo en el comienzo de la temporada

- Separe al apañador en el marco del filtro
- Separe el filtro del bastidor.
- Saque el filtro de carbón activo de su bolsa plástica.
- Instale el filtro de carbón activo en el bastidor.
- meta el filtro activo del carbón en el marco del filtro, debajo las etiquetas
- Reinstale los bastidores de los filtros en la unidad.



# Almacenaje

## **La unidad de aire acondicionado portátil brinda la función Innovative AutoDrain NanoMist Technology™**

El exceso de agua acumulada debe ser mínimo. Si se acumula agua, consulte la sección “Vaciado del recipiente de agua” en la página 9.

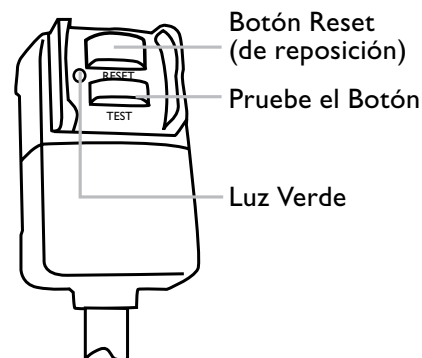
- Drene el agua condensada (en caso de haberla) por completo.
- Limpie o cambie el filtro.
- En un día templado coloque la unidad en modo de ventilador por un par de horas para asegurar que el interior pueda secarse por completo.
- Guarde el cable de alimentación en la forma mostrada, proteja la unidad contra el polvo (colóquela en su caja original) y almacénela en un lugar seco que no esté al alcance de los niños.
- No coloque objetos pesados sobre la unidad.

# Identificación y resolución de problemas

<b>Nunca trate de reparar o desmantelar la unidad de aire acondicionado. Las reparaciones incompetentes anulan la garantía y pueden poner en peligro al usuario y su propiedad.</b>		
<b>Problema</b>	<b>Causa</b>	<b>Solución</b>
La unidad de aire acondicionado no funciona.*	No hay fuente de alimentación. cerciórese la luz verde en el tapón este encendido.	Conecte la unidad a un tomacorriente funcional y enciéndala.
	¿Se enciende y se apaga en forma intermitente la luz de encendido? ¿Esta el agua repleta dirigida encendida?	Vacíe el colector de drenaje
La unidad de aire acondicionado parece no funcionar	La unidad está a la luz directa del sol.	Cierre las cortinas.
	Hay ventanas o puertas abiertas, hay mucha gente o una fuente térmica en el cuarto.	Cierre las puertas y ventanas, instale una unidad de aire acondicionado adicional.
	El filtro está sucio.	Limpie o cambie el filtro.
	La entrada o salida de aire está bloqueada.	Quite la obstrucción.
	La temperatura del cuarto es inferior al valor seleccionado.	Cambie la selección de temperatura. Ajuste al valor más bajo posible: 62°F.
La unidad es ruidosa.	La unidad está desnivelada.	Sitúela sobre una superficie sólida y pareja. (menos vibraciones).
El compresor no funciona.	El recalienta de la protección puede ser activada.	Espere 30 minutos hasta que la temperatura haya disminuido, luego encienda nuevamente la unidad.
La unidad de control remoto no funciona.	Demasiada distancia.	Asegúrese de que la unidad de control remoto esté apuntando correctamente hacia el panel de control.
	El panel de control no detecta la señal de la unidad de control remoto.	
	Las pilas están agotadas.	Replace the batteries.

\* Si usd enchunfla el aire acondicionado y la luz verde no enciende en el tapon, des-enchunfle la unidad y apresure el boton en el LCDI tapon. Conecte su aire acondicionado en la corriente y la luz deber encenderse, indicando que el aire tiene corriente.

Si el tapon se apaga (cual es una USA seguridad aplicacion nessesaria) y haciendo que la luz verde se apage, la unidad no puede ser repone, la cuerda de tapón puede ser dañada. Para su seguridad contacta a un electricista licenciado.





**No se olvide registrar su producto en línea y  
ver nuestra selección ancha de productos innovadores**

**[www.amcorgroupusa.com](http://www.amcorgroupusa.com)**



## Garantía Limitada por Un Año (5 años únicamente para el compresor)

Amcor, Inc. ("Amcor") garantiza al comprador original del producto ("Comprador") que lo compra en los Estados Unidos que el Producto Amcor con el que se incluye esta garantía está libre de defectos en materiales y mano de obra.

La única obligación de Amcor bajo esta garantía es reemplazar, o a discreción de Amcor, reparar, sin costo, todas las partes defectuosas, por un período de un (1) año a partir de la fecha de la compra original -(5 años únicamente para el compresor).

CUALQUIER GARANTÍA IMPLÍCITA DE COMERCIABILIDAD ESTÁ SIMILARMENTE LIMITADA A UN (1) AÑO -(5 AÑOS ÚNICAMENTE PARA EL COMPRESOR) A PARTIR DE LA FECHA DE LA COMPRA ORIGINAL Y NINGUNA ACCIÓN BASADA SOBRE NINGUNA GARANTÍA IMPLÍCITA DE COMERCIABILIDAD O DE OTRO TIPO PUEDE SER INICIADA DESPUÉS DE QUE EXPIRE UN (1) AÑO -(5 AÑOS ÚNICAMENTE PARA EL COMPRESOR) DE LA FECHA DE LA COMPRA ORIGINAL. Algunos estados no permiten limitaciones sobre qué tanto tiempo dura una

garantía implícita, así que la limitación -(5 años únicamente para el compresor) anterior puede no ser aplicable a usted. Las estipulaciones de esta garantía no aplicarán a ningún producto el cual a juicio de Amcor haya sido (1) sujeto a mal uso o negligencia. (2) dañado en un accidente. (3) usado para algún propósito para el cual no fue diseñado, o (4) reparado o alterado de alguna manera que haya afectado adversamente su desempeño o fiabilidad. Para obtener el servicio de garantía, el producto o parte defectuosa debe ser enviada o entregada a: un centro de servicio autorizado Amcor. Todos los cargos de franqueo, seguro o envío son responsabilidad del Comprador y no están incluidos en esta garantía. AMCOR NI ASUME NI AUTORIZA A NINGUNA PERSONA A QUE ASUMA POR ELLA NINGUNA OTRA RESPONSABILIDAD EN CONEXIÓN CON SUS PRODUCTOS, NO HAY GARANTÍAS QUE SE EXTIENDAN MÁS ALLÁ DE LA DESCRIPCIÓN EN EL TEXTO DE EL PRESENTE. NO SE ASUME NINGUNA RESPONSABILIDAD POR DAÑOS INCIDENTALES O CONSECUENCIALES QUE PUEDAN RESULTAR DEL USO DE UN PRODUCTO AMCOR, LOS DAÑOS DEBIDOS A ACCIDENTE, ABUSO, FALTA DE CUIDADO RESPONSABLE NI POR FIJAR ACCESORIOS NO AUTORIZADOS, PÉRDIDA DE PARTES O AL USARLO CON UN VOLTAJE DIFERENTE DEL ESPECIFICADO. Algunos estados no permiten la exclusión de limitación de daños incidentales o consecuenciales, así que estas limitaciones pueden no ser aplicables a usted.

Amcor niega todas las responsabilidades por defectos o daños causados por el uso de partes de reemplazo obtenidas de o por servicio en cualquier centro de servicio que no sea un centro de servicio autorizado de Amcor.

Esta garantía le otorga derechos legales específicos, y usted puede también tener otros derechos que varían de estado a estado.

Producto: Unidad de aire acondicionado portátil      Modelo: NanoMaxAI2000EH

Fecha de compra: \_\_\_\_\_ Código del Código del Producto: \_\_\_\_\_

¿PREGUNTAS? Llame al 866.361.2233 · [www.amcorgroupusa.com](http://www.amcorgroupusa.com)

**Estimado Cliente: Favor de guardar esta garantía para uso propio.  
NO lo mande de regreso.**



## Free Manuals Download Website

<http://myh66.com>

<http://usermanuals.us>

<http://www.somanuals.com>

<http://www.4manuals.cc>

<http://www.manual-lib.com>

<http://www.404manual.com>

<http://www.luxmanual.com>

<http://aubethermostatmanual.com>

Golf course search by state

<http://golfingnear.com>

Email search by domain

<http://emailbydomain.com>

Auto manuals search

<http://auto.somanuals.com>

TV manuals search

<http://tv.somanuals.com>