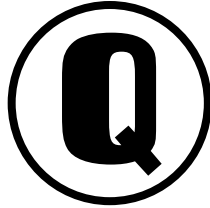
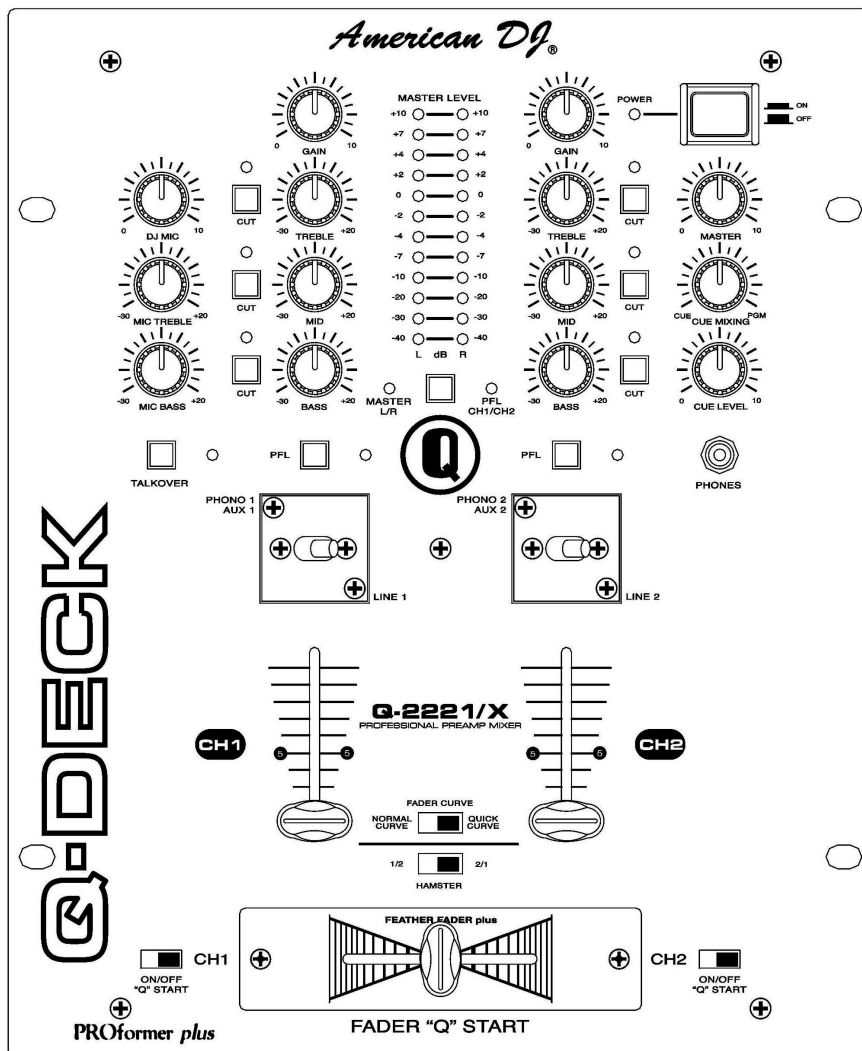


American DJ **AUDIO**



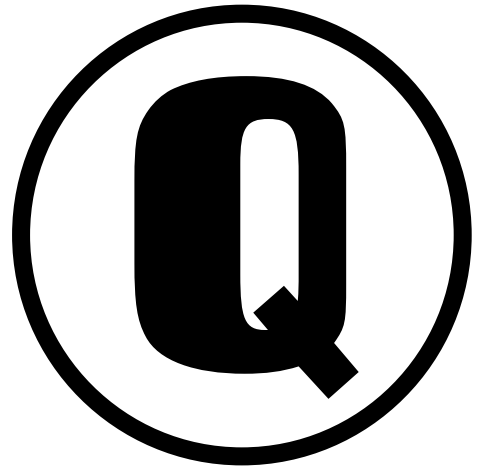
Q-2221/X "Q-Deck" USER INSTRUCTIONS



djs wanted.

Q-2221/X

“Q-DECK”



Featuring

Fader “Q” Start

Main Features

- 2 phono, 2 line, 2 auxiliaries, & 1 microphone input
 - Hamster Switch for changing cross fader position
- 100% cut buttons for treble, mid and bass of each channel
- Fader "Q" Start w/ On/Off switch (for use with the American DJ CD Players with Fader "Q" Start)
- -30dB Rotary Kills for treble, bass & mids • Changeable transformer switch to up/down or left/right
- Equipped with high quality Alps Feather Fader Plus™ (FF-Plus) Crossfader (replaceable / made in Japan) • Fader Curve Switch - changes from a normal curve to a quick curve (for crabbing)
 - Separate gain control for each channel • Bass, mid & treble on microphone
 - High output to headphones • 2 separate headphone inputs
 - Soft-touch rubber knobs for better control
 - Super clean signal to noise ratio

**professional products designed for
the working dj.**

Index

• Safety Instructions	p.3
• Operating Determinations	p.4
• Connections	p.4
• Functions (Front Panel)	p.5
• Inputs & Outputs (Rear Panel)	p.7
• Replacing the Crossfader	p.8
• Changing the Transformer Switch	p.9
• Technical Specifications	p.10
• Warranty & Service	p.10

Thank you for purchasing this American DJ® product. The Q-2221/X Is ready to be used, there is no assembly required. Please read the following instructions before installing or using your new unit. The Q-2221/X has a 2 year limited warranty!

CAUTION! - Keep this device away from rain and moisture!

Safety Instructions

Always plug in the power last. Make sure that the Power switch is set to the OFF position before connecting other devices to the mixer.

Keep away from heaters and other heating sources!

If the device has been exposed to drastic temperature fluctuation (e.g. after transportation), do not switch on the mixer immediately. The arising condensation of water might damage your device. Leave the device switched off until it has reached room temperature.

Never put any liquids on the mixer or close to it. Should any liquid enter the device, disconnect from main power immediately. Have the device checked by a qualified service technician before operating again. Any damage caused by liquid entering the device is not subject to warranty!

Never let the AC cord come in contact with other cables! Handle the AC cord and all AC connections with particular care.

Make sure that the available voltage is not higher than stated on the AC voltage selector.

Before the device is switched on, all fader and volume controls should be set to 0 or minimum position.

Damages caused by manual modifications to the device or unauthorized operation by unqualified persons are not subject to warranty.

There are no user serviceable parts inside the mixer. For maintenance and/or service, contact an authorized American DJ® dealer.

Operating Determinations

When installing this mixer, please make sure that the device is not exposed to extreme heat, moisture or dust! There should not be any cables lying around. Doing so endangers you as well as others. Do not operate the mixer in extremely hot (more than 30° / 100°F) or extremely cold (less than 5°C / 40°F) surroundings. Keep away from direct sunlight and heaters.

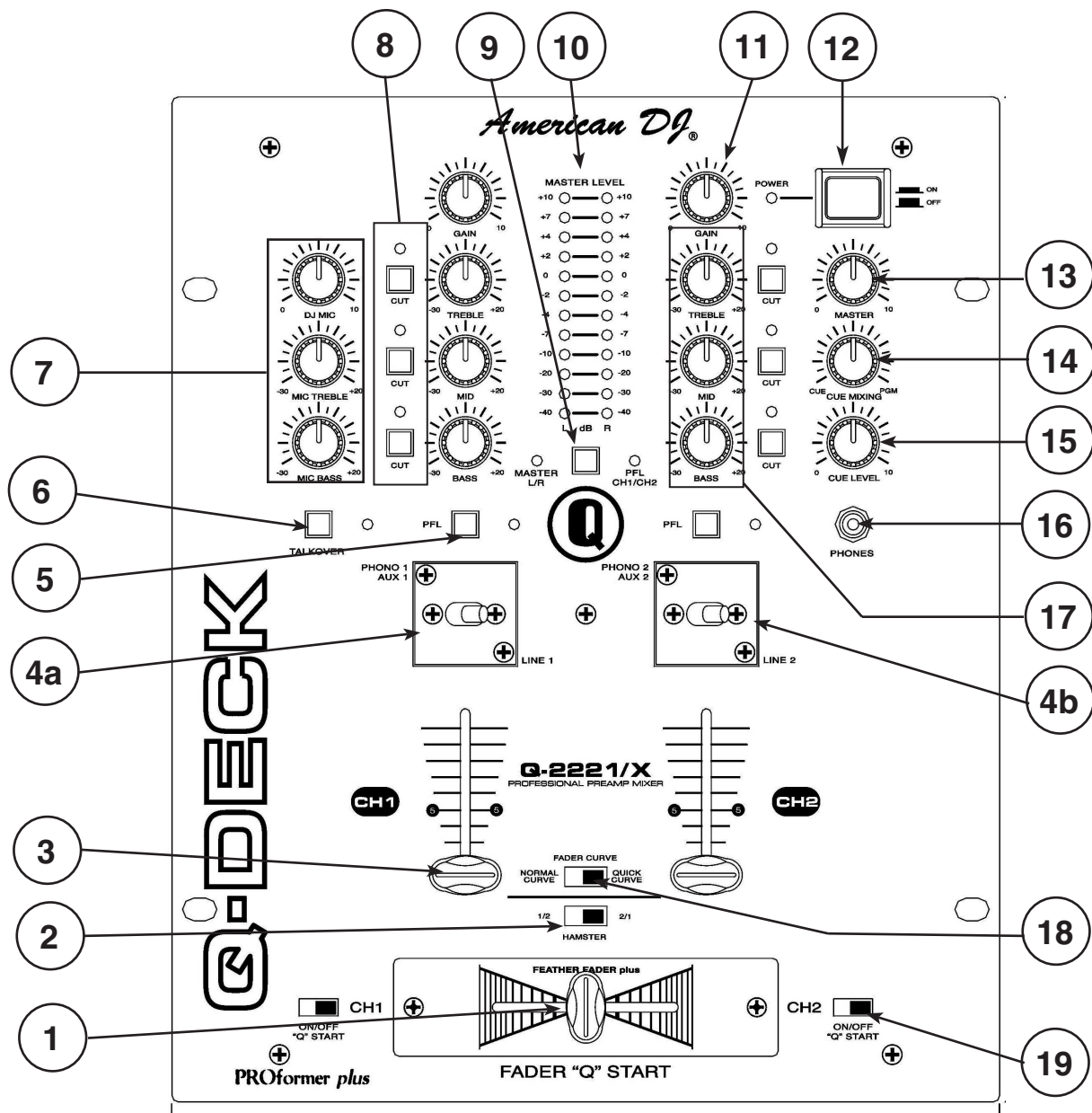
Operate the mixer only after becoming familiar with its functions. Do not permit operation by persons not qualified for operating the mixer. Most damages are the result of unprofessional operation!

Never use spray cleaners to clean the faders! Never use solvents or abrasive detergents to clean the mixer! It is recommended that you use a soft damp cloth. Please consider that unauthorized modifications on the device are forbidden due to safety reasons!

Connections (Refer to diagrams on pages 5 & 7)

- Make sure that the power switch is set to OFF. Before connecting other devices to the mixer, all units have to be switched off and the Master Control set to min.
- Make sure that the available voltage is not higher than stated on the voltage selector before connecting to power.
- In order to obtain the highest sound quality, only use high quality American DJ®, Ameri-Cable™ cables for connecting devices. Make sure that the cables are properly fixed.
- Connect your amplifier to the MASTER OUT jacks. Make sure that the channels are set properly.
- For recording, connect your tape recorder or cassette deck to the OUTPUT REC jacks. The REC OUT level will not be influenced by the Master Control.
- Connect your microphone to the Microphone Input on the rear panel.
- The Q-2221/X features one microphone input. The 1/4 inch (6.3mm) MIC JACK on the rear panel. You can adjust the microphone volume output by turning the DJ MIC LEVEL. DJ MIC TREBLE & BASS may be controlled by the BASS & TREBLE KNOBS below the DJ MIC KNOB.
- You can connect 2 turntables using the LEFT & RIGHT RCA PHONO 1 and PHONO 2 jacks on the rear panel. You can only control the turntables signal after you have switched the PHONO /AUX SELECTOR SWITCH on the rear panel to PHONO, plus you must change the PHONO/AUX/LINE SWITCH on the front panel to PHONO/AUX. The signal is then controlled via the CH-1 and CH-2 faders.
- Connect your tape recorder, tuner, sound effects, CD player, and cassette decks etc. to the LEFT & RIGHT RCA LINE signals to the AMP OUT jacks on the rear panel. The signal is then controlled via the CH-1 and CH-2 faders when the PHONO/AUX/LINE SWITCH on the front panel to LINE. CD players, cassette decks etc. may also be connected to the LEFT & RIGHT RCA PHONO/AUX jacks on the rear of the unit. You can only control this signal after you have switched the PHONO / AUX SELECTOR SWITCH on the rear panel to AUX, plus you must change the PHONO/AUX/LINE SWITCH on the front panel to PHONO/AUX. The signal is then controlled via the CH-1 and CH-2 faders.

Front Panel - Functions and Controls

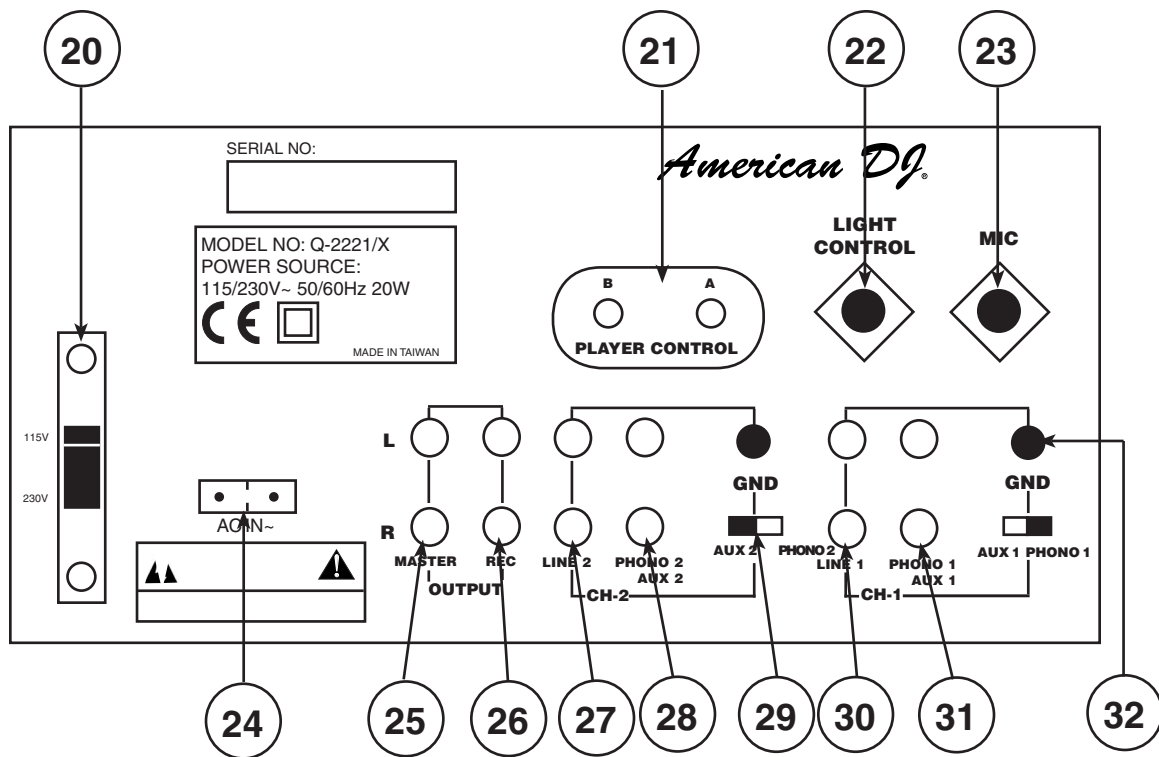


1. **FEATHER FADER PLUS™ CROSSFADER** - Mixes the signals of channel 1 and channel 2. When the crossfader is set in the center position, both channels can be heard at once.
2. **HAMSTER SWITCH** - Changes the polarity of the Crossfader (for crabbing). Channel 1 will be activated by the right side of the crossfader (mixing from right to left), and Channel 2 will be activated by the left side of the crossfader (mixing from left to right).
3. **CHANNEL FADER** - These faders control the output level of each channel.
- 4a. **CHANNEL 1 TRANSFORMER SWITCH (CHANGEABLE)** - Used to select the input to be sent to channel 1. TRANSFORMER SWITCH may be used up/down or left/right. To change the switch, see diagram on page 9.
- 4b. **CHANNEL 2 TRANSFORMER SWITCH (CHANGEABLE)** - Used to select the input to be sent to channel 2. TRANSFORMER SWITCH may be used up/down or left/right. To change the switch, see diagram on page 9.
5. **PFL BUTTONS** - Depressing these button sends the PFL (Pre-Fader Level) input signal to the cue level controls (14, 15, and 16). This allows you to monitor an input signal in a pair of headphones.

Front Panel - Functions and Controls Cont.

6. **TALKOVER BUTTON** - When the button is depressed, all signals except the microphone level are decreased by 15dB. A red LED will glow when the talkover function is engaged. In the OFF position all signals remain at their standard levels.
7. **MICROPHONE CONTROLS (VOLUME/TREBLE/BASS)** - The DJ MIC LEVEL CONTROL controls the microphone volume output level. The DJ MIC TREBLE CONTROL and DJ MIC BASS CONTROL are used to adjust treble and bass levels of the DJ MICROPHONE.
8. **CUT BUTTONS** - These buttons cut the Treble, Mid or Bass input signal level by 100% for Channels 1 and 2. When specific Cut Button is depressed a yellow LED will glow indicating a cut of the Treble, Mid or Bass. Depressing the Cut Button once again will disengage Cut.
9. **MASTER L/R / PFL CH1/CH2 BUTTON** - When the Master L/R is LED is lit the master level shows the master output that shows the left and right channels master output levels. Push the button again to select PFL CH1/CH2 and the LED will be lit for that selection. This will make the Master Level show the Pre-Fader Levels (PFL) of Channel 1 and Channel 2.
10. **LEVEL INDICATORS** - Dual LED's show the level of the left and right master output. The level indicators will directly reflect the **MASTER L/R / PFL CH1/CH2 BUTTON (9)** operating mode.
11. **CHANNEL GAIN CONTROL** - Used to set the level of the input signal for its designated channel.
12. **POWER SWITCH** - A red LED will glow indicating power is ON.
13. **MASTER VOLUME CONTROL** - This rotary knob is used to control the master output level (volume).
14. **CUE MIXING CONTROL** - Selects the channel for monitoring. The monitor signal comes from the Prefader. This means it will not be affected by the channel faders. You can monitor each channel individually. Connect your headphones to the HEADPHONES jack. Turn the CUE MIXING CONTROL to CUE and select the desired channels with the PFL switches. When you turn the CUE MIXING CONTROL to PGM (PFL switches without function), you can cue the output signal of the mixer. If the CUE MIXING CONTROL is set to the center position, you can cue both the channel signal you selected and the output signal. With the CUE LEVEL control, you can adjust the phones volume without changing the output signal.
15. **CUE LEVEL VOLUME CONTROL** - Adjusts the headphone output level.
16. **HEADPHONES JACKS** - Use this jack to connect the headphones. Headphones from 8 Ohms to 600 Ohms can be used. 16 Ohms is recommended. 2 separate headphone inputs are conveniently located on the face panel and bottom front panel.
17. **CHANNEL EQUALIZER "ROTARY KILLS" - BASS/MID/TREBLE CONTROL** - Used to increase or decrease the LOW's, MID's, and HI's of the input signal. The Q-2221/X features "Rotary Kills" with -30dB to +20db input control.
18. **FADER CURVE SWITCH** - Changes Feather Fader™ Crossfader from a NORMAL CURVE to a QUICK CURVE (used for crabbing).
19. **ON/OFF "Q" START**- This function works in conjunction with a compatible American DJ "Q" Start CD player. When used with a compatible CD player, you can use the crossfader to start and stop the CD Player with the slide of the fader. The ON/OFF "Q" START switch activates this FADER "Q" START feature. When in the ON position, the FADER "Q" START allows the fader to return automatically to preset digital CUE POINTS on your compatible American DJ CD Player.
For example, each time you slide the crossfader to far left the CD Player will be triggered to play the song from the beginning of the preset CUE POINT. Refer to your American DJ CD Player User Manual for setting CUE POINTS. Turn the ON/OFF SWITCH to the OFF position to disengaged "Q" Start function and resume to a normal fader.

Rear Panel - Functions and Controls



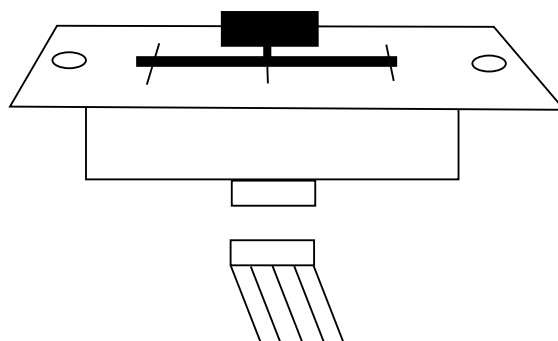
- 20. AC VOLTAGE SELECTOR** - Select between 115V/50Hz or 230V/60Hz. Make sure that the selector is set to the proper voltage you are using.
- 21. PLAYER CONTROL** - Input mini plugs from CD player controller into these jacks, input CD 1 into jack A and CD 2 into jack B.
- 22. LIGHT CONTROL** - Buffered audio output for light controllers that can use external input. Great for Touch Panels and Chase Controllers.
- 23. MIC JACK** - Connect your microphone with 1/4 inch (6.3mm) jack plug here. The signals may be controlled by the DJ MIC CONTROL KNOB (19). BASS & TREBLE can be adjusted by the DJ MIC BASS CONTROL KNOB and the DJ MIC TREBLE CONTROL KNOB (19).
- 24. AC CONNECTION** - Standard IEC plug with detachable AC power cord.
- 25. MASTER OUT** - Parallel output of P.A. output. Connect with the input of a power amplifier.
- 26. REC OUT** - Connect to your record unit. The REC OUT level is not influenced by the master control.
- 27. CHANNEL 2/LINE 2 RCA INPUT JACKS** - Connect CD players or Tape Decks to LINE inputs. Line level musical instruments with stereo outputs such as Rhythm Machines or Samplers should also be connected to LINE inputs. Turntables should only be connected to "Phono" inputs. The red colored RCA jack represents the right channel input and the white represents the left channel input.
- 28. CHANNEL 2/PHONO 2/AUX 2 INPUT JACKS** - The type of input must directly reflect the selected mode of the Aux/Phono Selector Switch (29). Connect turntables equipped with MM pickup cartridge to PHONO inputs. CD players or Tape Decks should be connected to AUX LINE input. Line level musical instruments with stereo outputs such as Rhythm Machines or Samplers should also be connected to AUX LINE inputs. The red colored RCA jack represents the right channel input and the white represents the left channel input.

Rear Panel - Functions and Controls Cont

29. **PHONO / AUX SELECTOR SWITCH** - This switch is used to change the mode of **PHONO/AUX INPUT JACKS (28)**. When using a turntable select PHONO, and when using other input devices select AUX. The PHONO /AUX SELECTOR SWITCH gives the DJ the possibilities of 4 inputs lines (ie. 4 lines CD, tape etc.; or 2 lines CD, tape etc. and 2 phono lines).
30. **CHANNEL 2/LINE 2 RCA INPUT JACKS** - Connect CD players or Tape Decks to LINE inputs. Line level musical instruments with stereo outputs such as Rhythm Machines or Samplers should also be connected to LINE inputs. Turntables should only be connected to "Phono" inputs. The red colored RCA jack represents the right channel input and the white represents the left channel input.
31. **CHANNEL 2/PHONO 2/AUX 2 INPUT JACKS** - The type of input must directly reflect the selected mode of the Aux/Phono Selector Switch (29). Connect turntables equipped with MM pickup cartridge to PHONO inputs. CD players or Tape Decks should be connected to AUX LINE input. Line level musical instruments with stereo outputs such as Rhythm Machines or Samplers should also be connected to AUX LINE inputs. The red colored RCA jack represents the right channel input and the white represents the left channel input.
32. **GND (GROUND TERMINALS)** - Connect each of your turntable ground leads to one of these terminals. Each turntable uses one ground terminal. This will reduce the humming and popping noises associated with magnetic phono cartridges.

Replacing the Crossfader

1. Disconnect the mixers main power supply
2. Using a number two Phillips screw driver, unscrew the each of the stainless steel retain screws that hold the crossfader in place.
3. Gently remove the crossfader from its seated position. You may need to wiggle the crossfader slightly to remove it.
4. After removing the crossfader, disconnect the ribbon cable that attaches the crossfader to the PC board. Grasp the crossfader by its base and pull the ribbon cable by its connector not the actual cables. The connector is designed to only fit one way, so don't worry about the connectors orientation.
5. Connect the new crossfader to the ribbon cable and replace in reverse order.

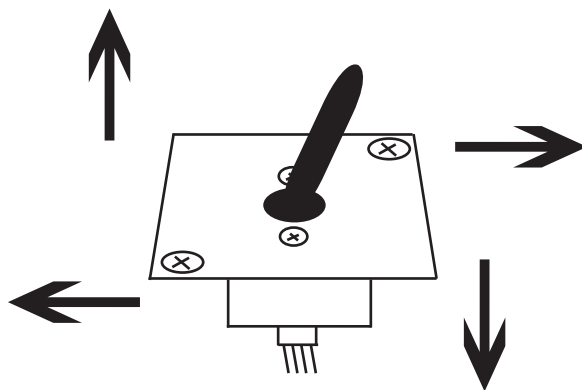


Replacing the Transformer Switch

1. Disconnect the mixers main power supply
2. Using a number two Phillips screw driver, unscrew the two larger stainless steel retain screws on the outside corners of the selector switch. These screws hold the selector switch in place.
3. Gently remove the selector switch from its seated position.
4. After removing the selector switch, disconnect the ribbon cables that attach the selector switch to the PC board. Grasp the selector switch by its base and pull the ribbon cables by their connectors not the actual cables. The connector are color code and only fit one way, so don't worry about the connectors orientation.
5. With the selector switch remove and the ribbon cables disconnected, use a number one Phillips screw driver to remove the switch from its cover.
6. Connect the new selector switch to the ribbon cables and replace in reverse order.

Changing the Transformer Switch Position

1. Disconnect the mixers main power supply
2. Using a number two Phillips screw driver, unscrew the two larger stainless steel retain screws on the outside corners of the selector switch. These screws hold the selector switch in place.
3. Gently remove the selector switch from its seated position.
4. After removing the selector switch, turn the unit to your desired position.
5. Replace in reverse order.



The sector switch may be oriented several different position. This will allow for versatility and comfort when scratching.

Technical Specifications - Model Q-2221/X

Model: Q2221/X, 2 Channel Mixer
Power supply: AC 115/230V, 50/60Hz switchable
Dimensions: 12.5" W x 10.25" D x 4" H / 252 x 305 x 102 mm
Weight: 8 lbs. / 3.5 kg
Crossfader: Optical detecting fader start control - Low grounding impedance crossfader
Power Consumption: 5W typical, 7W w/ full headphone output
Headphone impedance: 16 Ohms

Input Sensitivity (Level/Impedance):

Line: -14dBV (200mV) 12K Ohm +/- 2dB
Microphone: -49 dBV (3.6mV) / 3K Ohms +/- 3 dB
Phono: -48dBV (4mV) 47K Ohms +/- 3dB
Aux: -14 dBV (200mV) / 47K Ohms +/- 2dB

Output Sensitivity (Level/Impedance):

Rec Out (RCA): -10dBV (316mV) / 2.2K Ohms +/- 2dB
Master Out (RCA): 0dBV (1V) / 610 Ohms +/-2dB
Phones (Load+32Ohms): -8dBV (0.4V) /33 Oms +/-2dB

Maximum Output (Load + 47K, THD = 5%)

Rec: < 18dBV (8V)
Master (RCA): < 18dBV (8V)

Channel Balance: Within 3dB

Frequency Response:

Line: 20Hz - 20KHz, ± 1 dB • **Phono:** 20Hz - 20KHz, ± 1.5 dB (RIAA) • **Aux:** 20Hz - 20KHz, ± 1 dB
• **Microphone:** 20Hz - 20KHz, +1,-3dB

THD - Total Harmonic Distortion (1Khz, 0dBV Output):

Master Output (Load = 47K Ohms): Less than 0.2%
Phono: (Load = 32K Ohms): Less than 0.5%

Channel Equalizer:

Bass = $+12 \pm 1$ dB, -22 ± 2 dB at 70KHz / **Mid** = $+12 \pm 1$ dB, -17 ± 2 dB at 1KHz / **Treble** = $+13 \pm 1$ dB, -27 ± 2 dB at 13KHz

Microphone Equalizer:

Bass = $+12 \pm 1$ dB, -12 ± 1 dB at 100KHz / **Treble** = $+12 \pm 1$ dB, -12 ± 1 dB at 10KHz

Warranty & Service:

The Q-2221/X has a 2-year limited warranty. Please mail in warranty card as soon as possible to validate your warranty.

Free Manuals Download Website

<http://myh66.com>

<http://usermanuals.us>

<http://www.somanuals.com>

<http://www.4manuals.cc>

<http://www.manual-lib.com>

<http://www.404manual.com>

<http://www.luxmanual.com>

<http://aubethermostatmanual.com>

Golf course search by state

<http://golfingnear.com>

Email search by domain

<http://emailbydomain.com>

Auto manuals search

<http://auto.somanuals.com>

TV manuals search

<http://tv.somanuals.com>