

DP-20A

MAIN FEATURES:

- 4 Channel Dimmer Pack
- 600 watts per channel
- 5 amp per channel (15A max)
- 2 plugs per channel
- Sudden Current Protection
- Warm Up Function
- Suitable for resistive load and inductive load
- Dimming Sensitivity Knob
- Power outlets very easy to set up and operate
- Designed to mount on truss or stands
- 8" x 6.5" x 4.5"
- 7 lbs.

THANK YOU FOR PURCHASING THIS AMERICAN DJ™ PRODUCT



Now with a new case design and 2 plugs per channel, the DP-20A™ has all the same features of the DP-20™ by American DJ™. The DP-20A™ is a 0-10V analog, 4 Channel, 15A max, 600W per channel dimming power pack. Each channel includes warm-up feature, take out,

zero-crossing circuitry, and A/C plugs and sockets. It uses the same 8 pin din connector as the DP-8A™, DP-12™, and DP-20™. The DP-20A™ can be mounted on truss or pipe with a C-Clamp. Each channel is fused with a 5A fuse.

FOR SERVICE: Contact your local American DJ® Dealer.

CONTROLS & COMPONENTS (FRONT)

- 8 AC PLUGS
- 4 FUSES

(BACK)

- AC INPUT 120V/60HZ
- 8 PIN DIN CABLE OUTPUT- connect to another DP-20A
- 8 PIN DIN CABLE INPUT- connected to DP-8A or DP-12

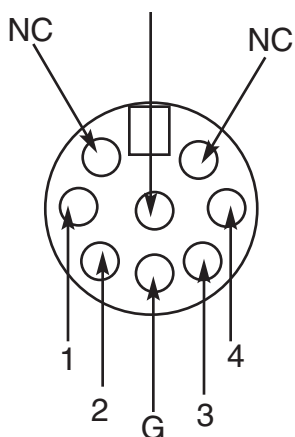
(TOP)

- 4 LED LIGHTS- Indicates which channels are on

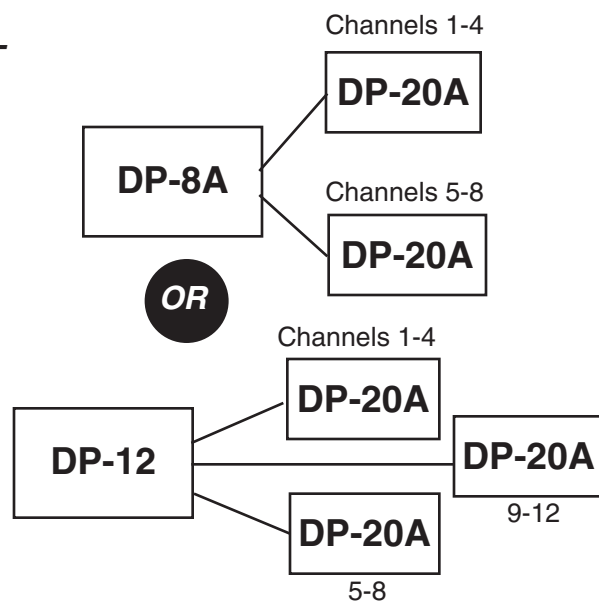
(RIGHT SIDE)

- DIMMING SENSITIVITY KNOB
White plastic wheel inside right side vents. Adjust with screw driver for desired sensitivity.

DC V+20V OUTPUT



Sample Set-up



Free Manuals Download Website

<http://myh66.com>

<http://usermanuals.us>

<http://www.somanuals.com>

<http://www.4manuals.cc>

<http://www.manual-lib.com>

<http://www.404manual.com>

<http://www.luxmanual.com>

<http://aubethermostatmanual.com>

Golf course search by state

<http://golfingnear.com>

Email search by domain

<http://emailbydomain.com>

Auto manuals search

<http://auto.somanuals.com>

TV manuals search

<http://tv.somanuals.com>