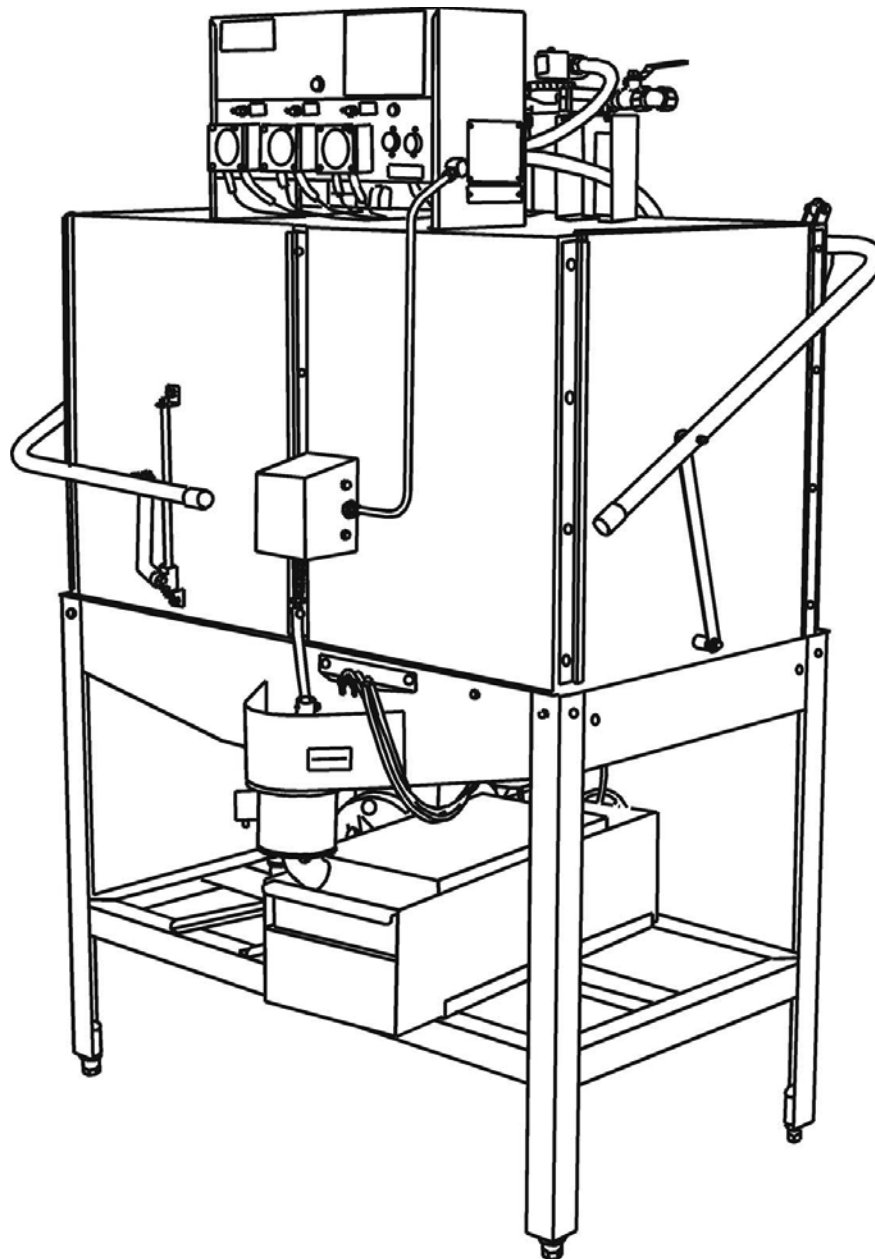


EFFECTIVE: MAY 2008

American Dish Service

ADS LOW TEMPERATURE DISHWASHER

MODEL: 5-CD LF/RF



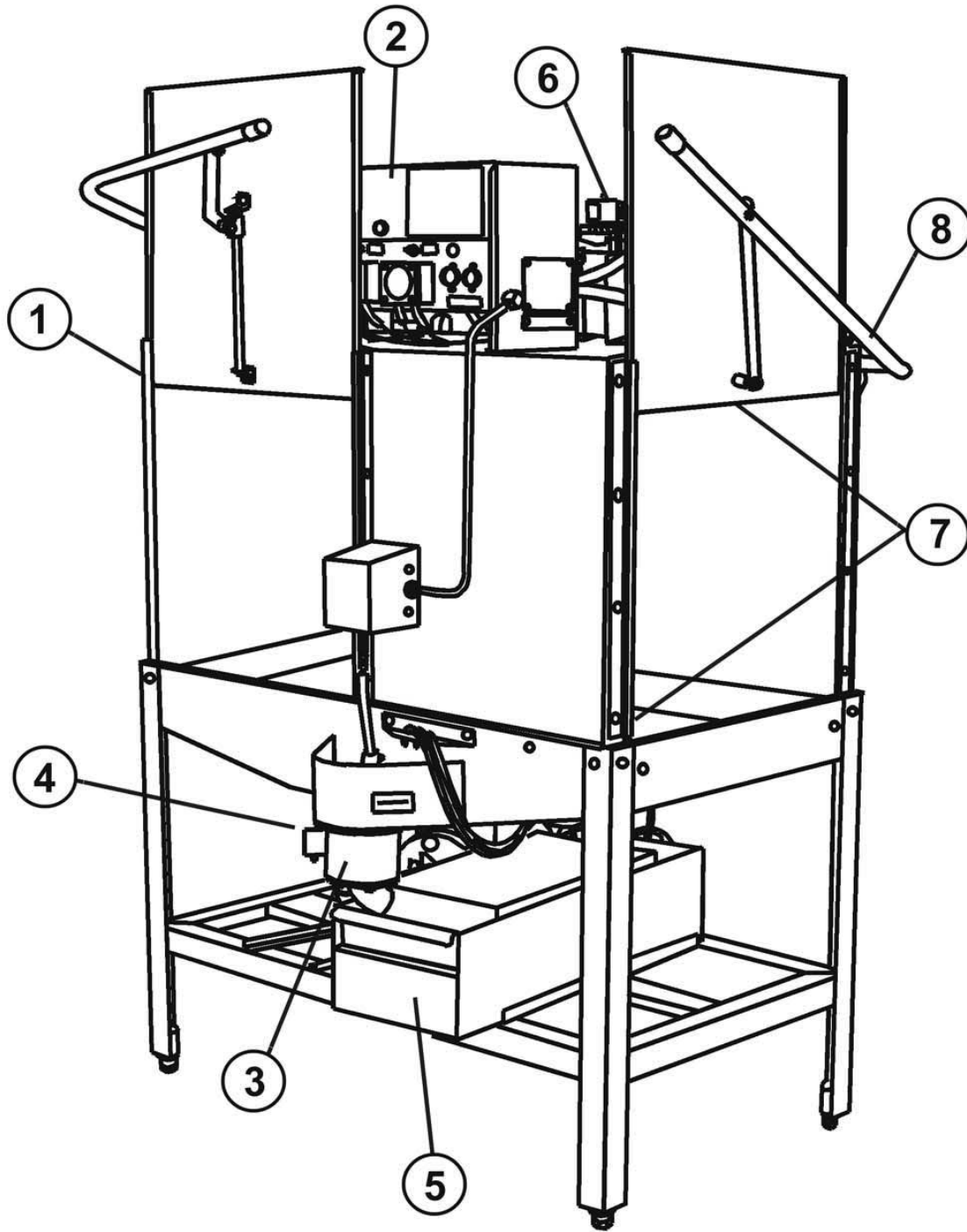
PARTS MANUAL

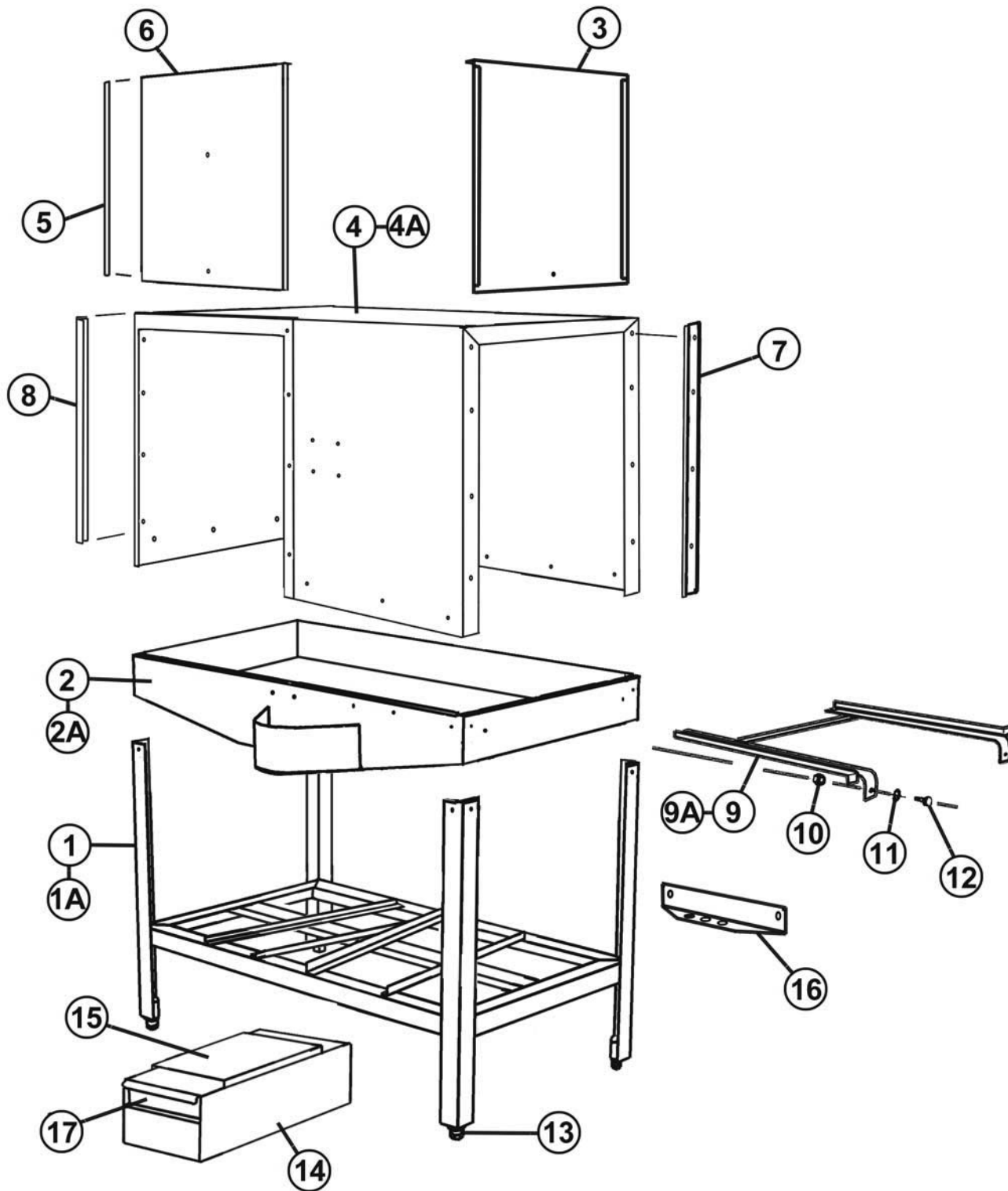
900 Blake Street
Edwardsville, Kansas 66111
(913)422-3700

© 5/08

029-0090/030-0090
Model: 5-CD LF/RF
DISHMACHINE

American Dish Service

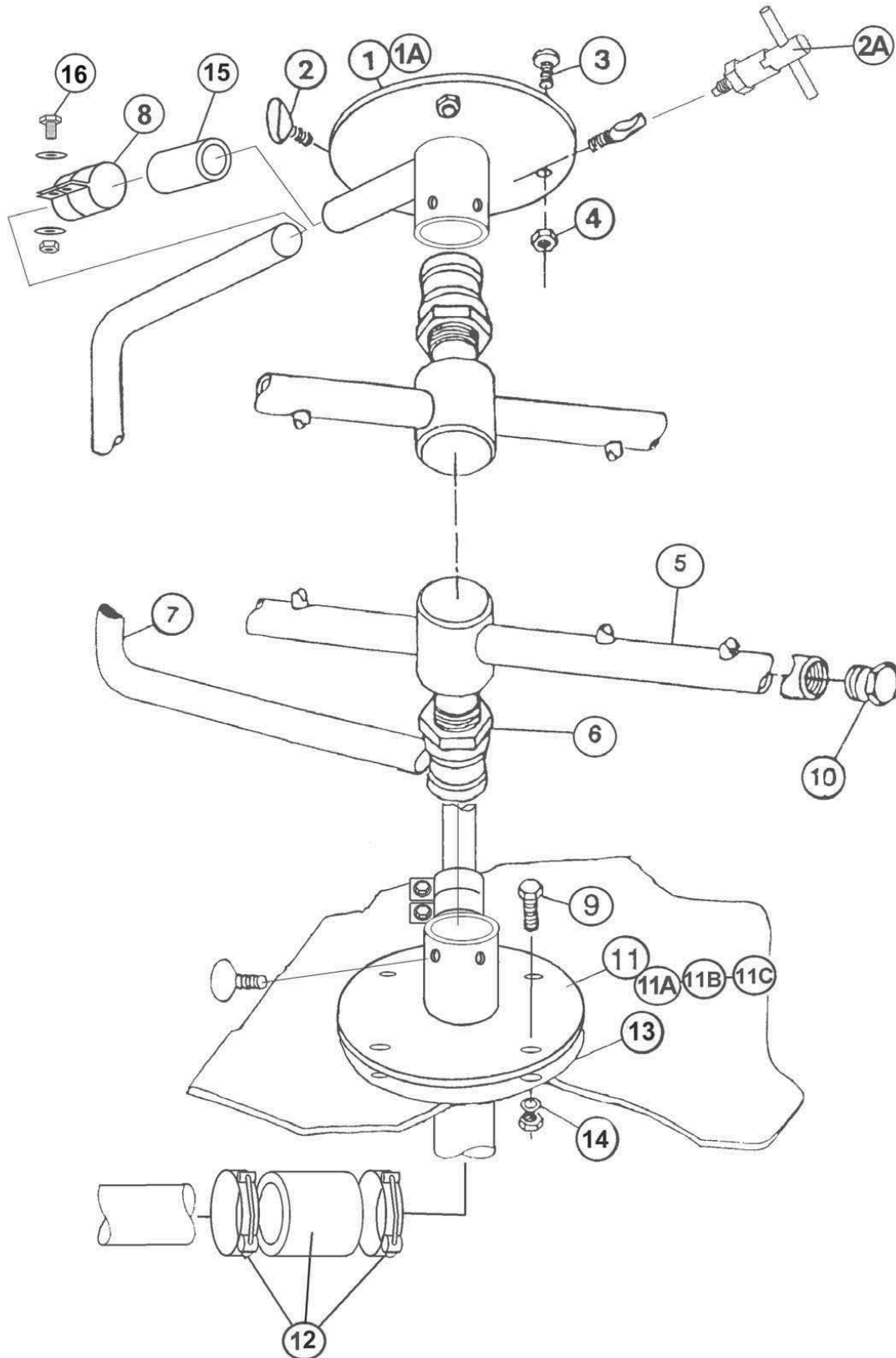




061-2100/061-2200
 Cabinet Assembly LF/RF
 5-CD

American Dish Service

Ref. No.	Part No.	No. Req.	Description
1	085-6415	1	Frame, LF
	085-6416		Frame, RF
2	085-6417	1	Pan, LF
	085-6418		Pan, RF
3	087-6116	1	Door
4	085-6419	1	Hood, LF
4A	085-6420		Hood, RF
5	083-6108	4	Doorstrip, Clear
6	087-6124	1	Door, Front
7	087-6114	2	Door Guide
8	087-6118	1	Door Guide, Front Corner
9	085-6421	1	Tray Track Assembly, LF
9A	085-6422		Tray Track Assembly, RF
10	098-2507	40	Locknut, 1/4-20, SS
11	098-2404	40	Washer, 1/4", SS
12	098-1423	40	Bolt, 1/4-20 x 1/2", HH, SS
13	099-1003	4	Bullet Foot
14	089-9055	1	Scrap Trap
15	089-9100	1	Scrap Trap Lid
16	086-6419	1	Chemical Bracket, Top Mount
17	089-9056	1	Scrap Trap Tray
N/S	086-6685	1	Bracket, 5CD Tray Track Support
N/S	087-6389	1	Front Guide, 5CD Tray Track

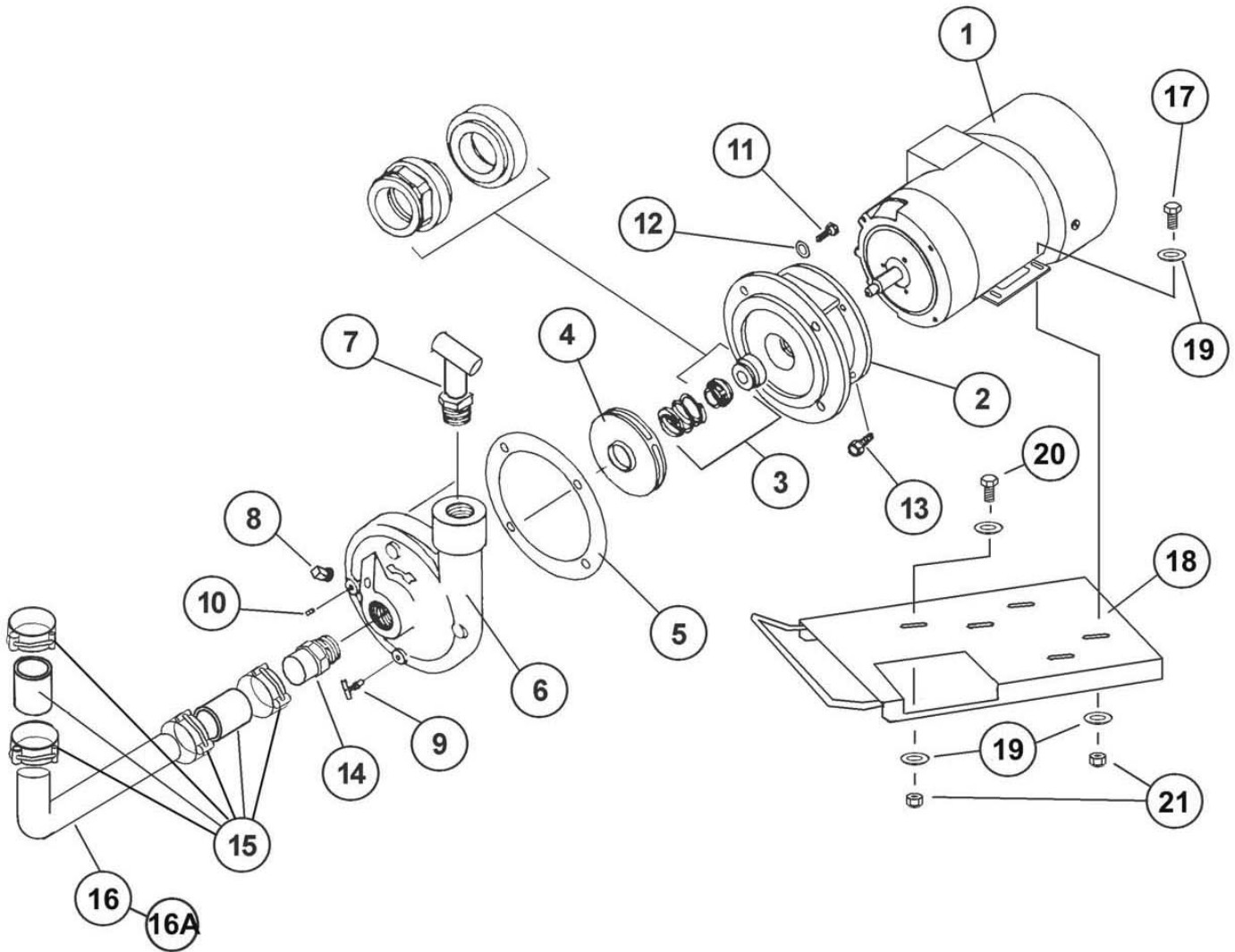


062-1800/062-1900

Spray System Assembly LF/RF
5-CD

American Dish Service

Ref. No.	Part No.	No. Req.	Description
1	085-6628	2	Upper Spray Base, SS, Thumbscrew Type
1A	085-6626	Opt.	Upper Spray Base, SS, Bayonet Type
2	098-1583	12	Thumb Screws 5/16-18 x 5/8" SS
2A	099-1028	Opt.	Bayonet Fitting
3	098-1426	8	Bolt, 1/4-20 x 3/4" HH SS
4	098-2507	16	Locknut, 1/4-20 SS
5	081-6214	4	Spray Arm Assembly
6	081-6210	4	Spray Arm Bearing Assembly, Cleanable
7	087-6233	1	Upper Arm Supply Tube (Manifold)
7A	087-6234	1	Upper Arm Supply Tube (Manifold) LF, LH
8	081-6501	4	Clamp Assembly, Inside Manifold (Incl. Bolts & Nuts)
9	098-1426	8	Bolt, 1/4-20 x 3/4" HH SS
10	084-6211	8	Spray Arm End Plug, SS
11	085-6633	1	Lower Spray Base, SS, Thumbscrew Type, RH
11A	085-6632	1	Lower Spray Base, SS, Thumbscrew Type, LH
11B	085-6631	Opt.	Lower Spray Base, SS, Bayonet Type, RH
11C	085-6630	Opt.	Lower Spray Base, SS, Bayonet Type, LH
12	093-1040	2	Kit, Discharge Tube
13	089-6201	2	Gasket, Spray Base
14	098-2404	8	Washer, 1/4", SS
15	093-1041	4	Plastic Sleeve, Inside Manifold Tube
16	098-1445	8	Bolt, 1/4-20 x 1" HH SS

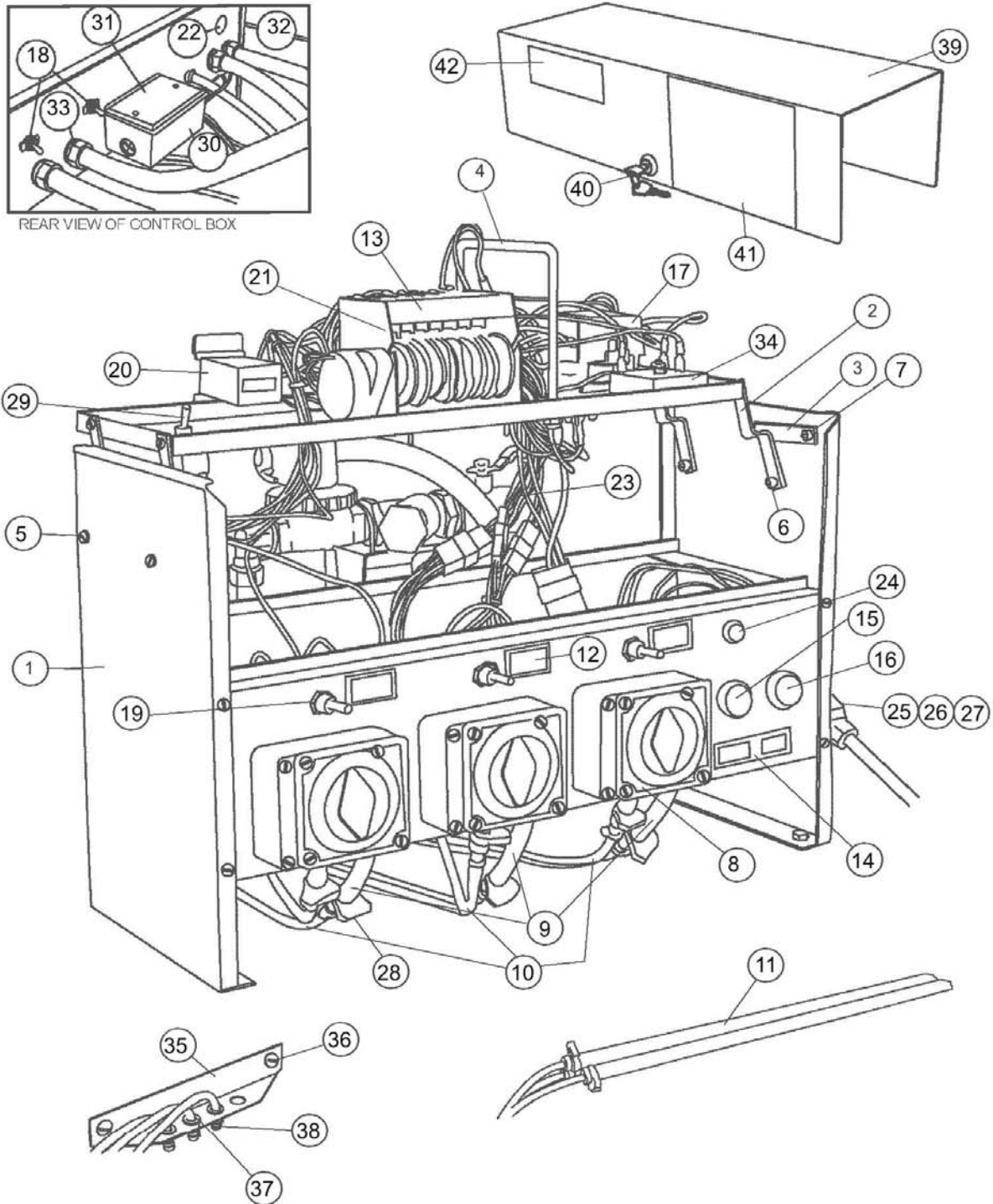


063-2200/063-2300

Recirculating Pump Assembly
LF/RF 5-CD

American Dish Service

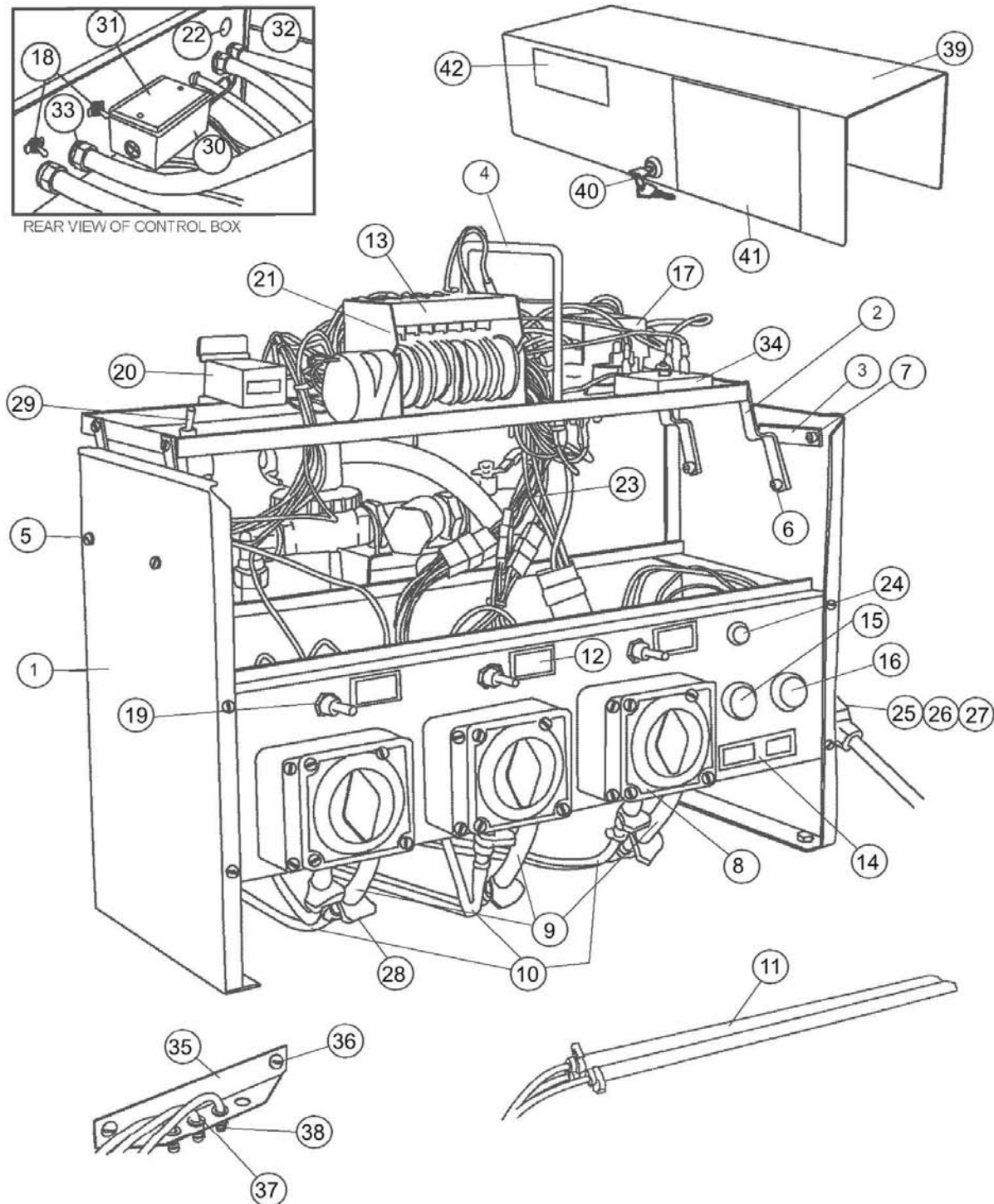
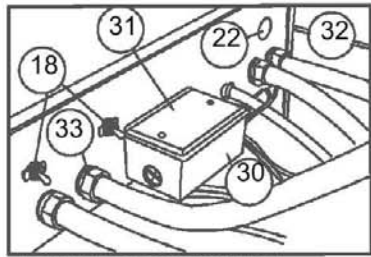
Ref. No.	Part No.	No. Req.	Description
1	091-1001	1	Motor
2	082-6301	1	Rear Housing
3	092-2001	1	Seal Assembly
4	082-6305	1	Impeller, 7-vane
5	089-6303	1	Gasket, Pump
6	082-6302	1	Front Housing (Pump Cover)
7	085-6325	1	Discharge Pipe 'T' Weldment
8	092-1144	1	Pipe Plug, 3/8", SS
9	092-1002	1	Petcock 1/8"
10	092-1145	1	Pipe Plug, 1/8", SS
11	098-1507	2	Bolt, HH, SS, 5/16-18 x 7/8
N/S	098-1510	2	Bolt, 5/16-18 x 1 1/4", HH, SS
12	098-2503	4	Washer, Copper 5/16
13	098-1607	4	Bolt, 3/8-16 x 7/8" HH SS
14	085-6321	1	Pump Pipe, Suction
15	093-1039	2	Kit, Suction Tube
16	085-6326	1	Suction Tube, LF
16A	085-6327		Suction Tube, RF
17	098-1426	2	Bolt, 1/4-20 x 3/4", HH, SS
18	085-6408	1	Motor Plate
19	098-2404	6	Washer, 1/4", SS
20	098-1434	1	Bolt, 1/4-20 x 2", HH, SS
21	098-2507	3	Locknut, 1/4-20, SS
Rep.	088-1012	0	Pump assembly Through Impeller (Needs Gasket 089-6303)



063-0800
Control System Assembly
5-CD

American Dish Service

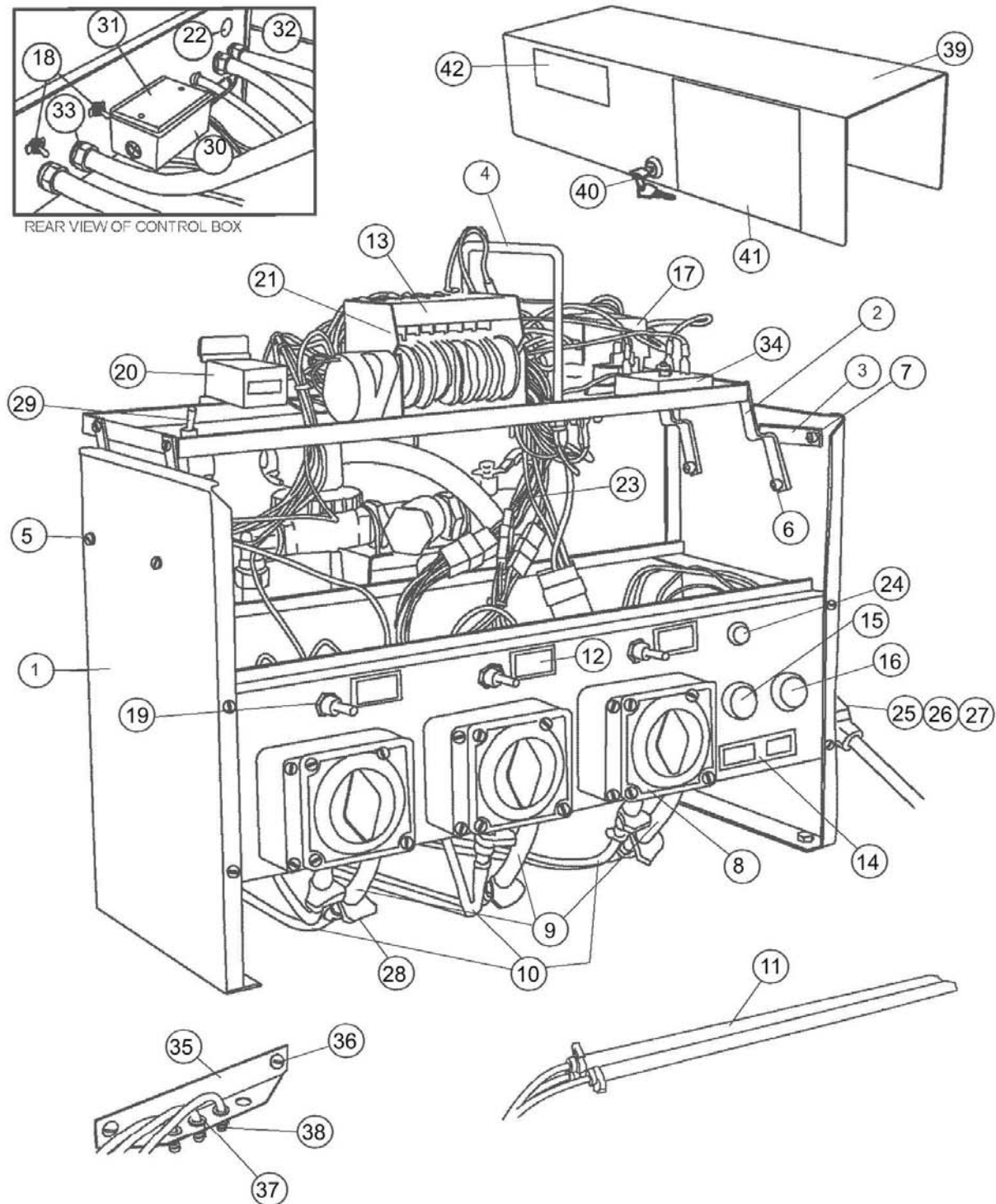
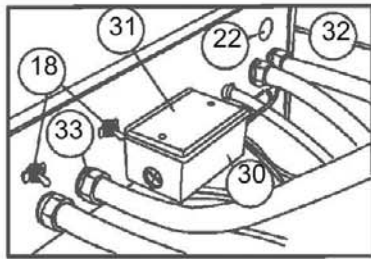
Ref. No.	Part No.	No. Req.	Description
1	081-6421	1	Control Box Weldment
2	086-6678	4	Control Box Hinge
3	086-6676	1	Safety Latch
4	086-6317	1	Shelf Handle
5	098-1204	13	Screw, 8-32 x 1/2" RH, Slotted
6	098-2201	9	Locknut, 8-32, Hex
7	098-2404	1	Washer, 1/4", SS
8	064-0010	3	Chemical Pump Assembly, External
9	083-6404	1	Chemical Discharge Tube, Red 5'
9	083-6405	1	Chemical Discharge Tube, Green 5'
9	083-6406	1	Chemical Discharge Tube, Blue 5'
10	083-6408	1	Chemical Suction Tube, Red 8'
10	083-6409	1	Chemical Suction Tube, Green 8'
10	083-6410	1	Chemical Suction Tube, Blue 8'
11	083-6407	3	Tube Stiffener
12	089-9223	3	Decal, Prime
13	089-9226	1	Decal, Timer Cam
14	089-9237	1	Decal, Start-Fill
15	091-3001	1	Switch, Black Fill
16	091-3002	1	Switch, Red Start
17	091-3083	1	Contactator
18	091-3008	2	Master Switch
19	091-3009	3	Prime Switch
20	091-3049	1	Counter, Electric
21	091-3051	1	Timer, 90 Sec. 7 Cam
22	091-4019	1	Plastic Plug
23	091-5028	1	Wiring Harness
24	091-7006	1	Red Light, Indicator



063-0800
Control System Assembly
5-CD

American Dish Service

Ref. No.	Part No.	No. Req.	Description
25	092-1008	1	½" Close Nipple
26	092-1029	1	½" x 3/8" Reducer, Brass
27	092-1030	1	Fitting, 3/8" Comp x ½" FPT 90°
28	098-1606	3	Tube Clamp
29	091-3060	1	Toggle Switch
30	091-4016	1	Junction Box
31	091-4004	1	Cover, Junction Box
32	091-5156	1	Conduit, ½", 240"
33	091-4141	5	Conduit, Fitting ½" ST
34	091-3059	1	Relay, Auto Start
35	086-6419	1	Chemical Discharge Bracket, 5-CD
36	098-1414	2	Screw, ¼-20 x ½", TH, SS
37	091-4015	3	Grommet, Chemical Feeder Assembly
38	093-1043	3	Hose Barb 3/16"
39	087-6434	1	Control Box Cover
40	096-1002	1	Control Box Lock and Key
41	089-9204	1	Outside Sump Cleaning Instruction
42	089-9277	1	NSF Sticker
OPT.	091-3003	1	Relay, Instant Start
N/S	089-0001	1	Nameplate
N/S	089-0050	1	NSF UL Plate
N/S	098-9011	6	Pop Rivets
N/S	089-9202	1	Wiring Diagram
N/S	089-9210	1	Decal, Connect to Power Supply
N/S	089-9227	1	Adjust Cam Decal
N/S	089-9257	1	Decal, Delimiting, Caution
N/S	091-4142	3	Conduit, Elbow, ½" 90°
N/S	091-4017	1	Grommet, Large
N/S	091-5213	2	Red Butt Connector
N/S	091-5220	6	Cable Tie, Medium
N/S	091-5223	1	Molex Housing, Male
N/S	091-5224	1	Male Molex Pin
N/S	091-5226	8	Tabs, Master Switch

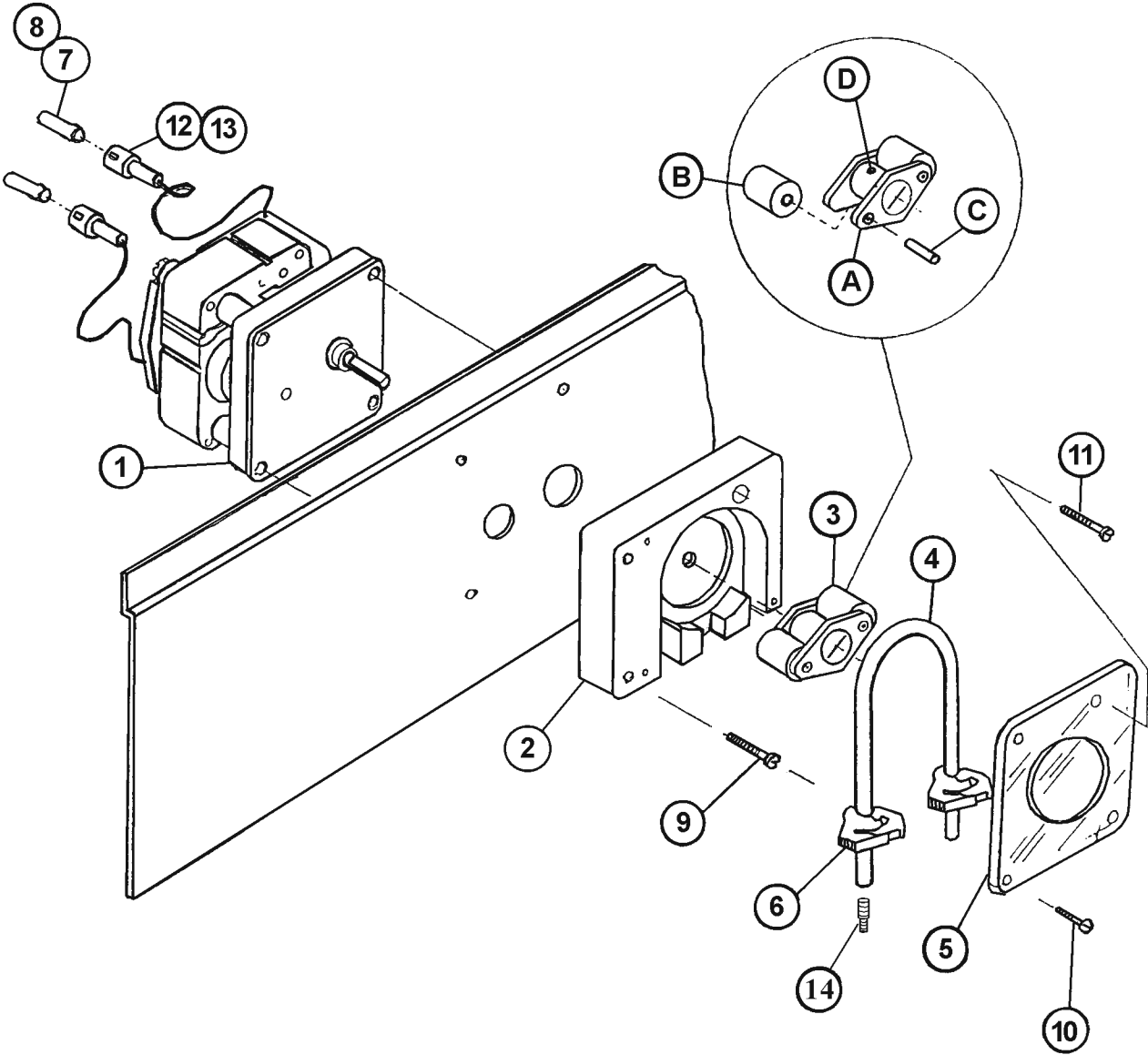


063-0800

Control System Assembly
5-CD

American Dish Service

Ref. No.	Part No.	No. Req.	Description
N/S	091-5247	1	Spade Connector, Female
N/S	091-6157	8	Flag Connector and Cover
N/S	098-1102	4	Screw, 6-32 x 1/4", RH, SS
N/S	098-1104	4	Screw, 6-32 x 1/2", RH, SS
N/S	098-1205	8	Screw, 8-32 x 5/8", RH, SS
N/S	098-1211	4	Screw, 4-40 x 1/4", RH, SS
N/S	098-1418	1	Bolt, 1/4-20 x 1", TH, SS
N/S	098-1420	1	Screw, 1/4-20 x 1 1/4", TH
N/S	098-2001	4	Locknut, 4-40
N/S	098-2101	4	Nut, 6-32, SS, Hex
N/S	098-2202	8	Nut, 8-32, SS, Hex
N/S	098-2507	1	Locknut, 1/4-20
N/S	098-9020	1	Plastic Plug, 7/8"
N/S	292-1006	2	Locknut, 1/2" FPT, Brass
N/S	098-2507	5	Locknut, 1/4"
N/S	091-3011	1	Sock, Relay
N/S	091-4002	1	Grommet
N/S	091-9103	1	Relay Cap
N/S	091-5156	1	Conduit, 1/2", 240"

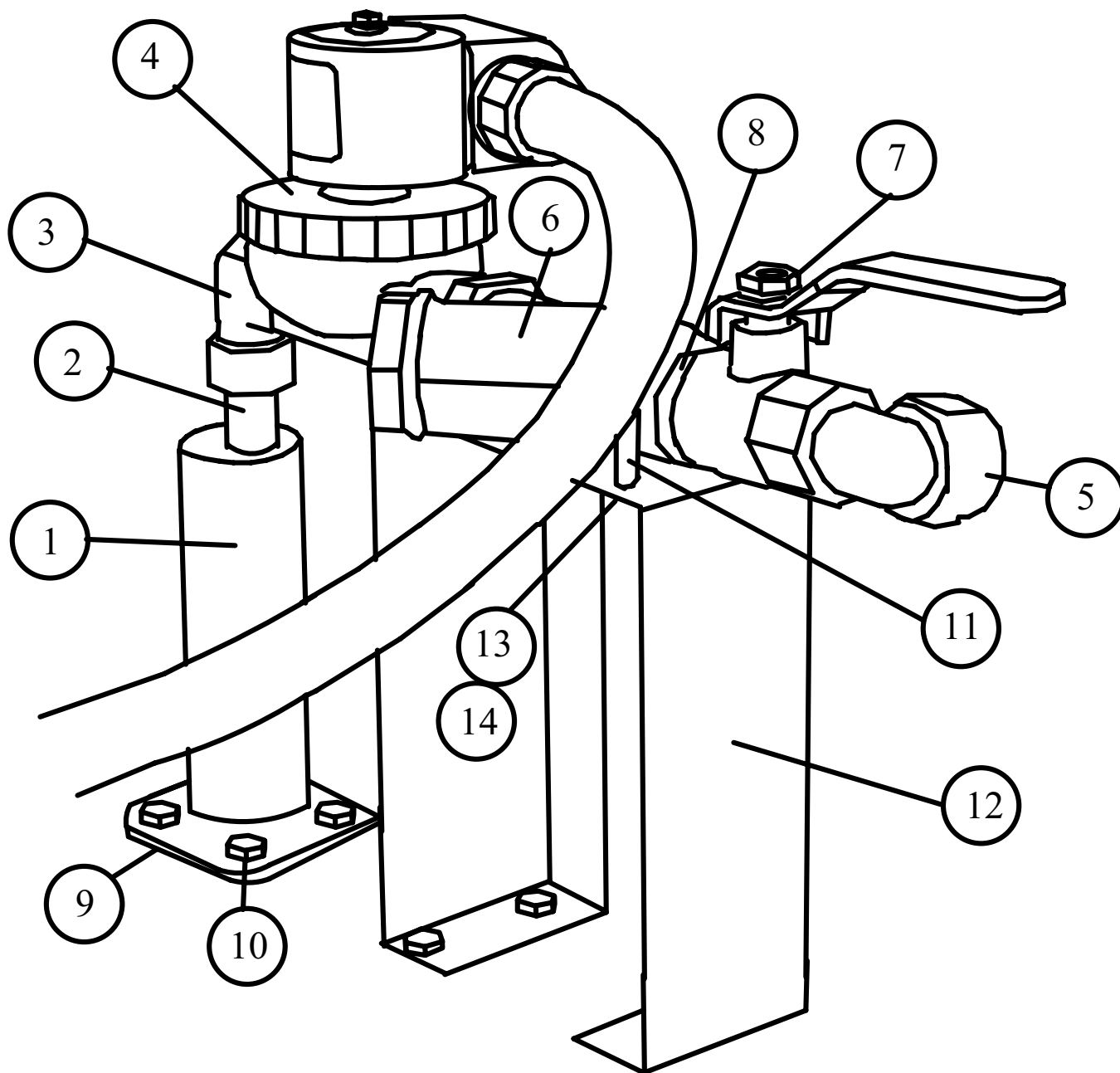


064-0010

Chemical Pump Assembly
5-CD

American Dish Service

Ref. No.	Part No.	No. Req.	Description
1	091-1002	1	Gear Motor
2	083-6703	1	Pump Housing, 3D
3	067-6702	1	Rotor Assembly, 3D
3A	083-6704	1	Rotor, 3D, Chem. Pump
3B	083-6705	2	Roller, 3D, Chem. Pump
3C	083-6706	2	Pin, 3D, Chem. Pump
3D	098-1322	1	Set Screw, 10-32 x 1/4"
4	087-6700	1	Squeeze Tube
5	083-6707	1	Cover, 3D, Chem. Pump
6	098-1606	2	Tube Clip, Chem. Pump Squeeze Tubes
7	091-5222	0	Molex Female Pin
8	091-5221	0	Molex Cover, Female Housing
9	098-1305	2	Screw, RH, 10-32 x 1 1/2"
10	098-1204	3	Screw, RH, SS, 8-32 x 1/2"
11	098-1321	1	Screw, RH, SS, 10-32 x 1 3/4"
12	091-5224	2	Molex Male Pin
13	091-5223	2	Cover, Housing, Male Molex
14	092-1146	2	Hose Barb, 1/4" x 3/16"
			(Connects Squeeze Tube to 1/4" Chem. Tubing)

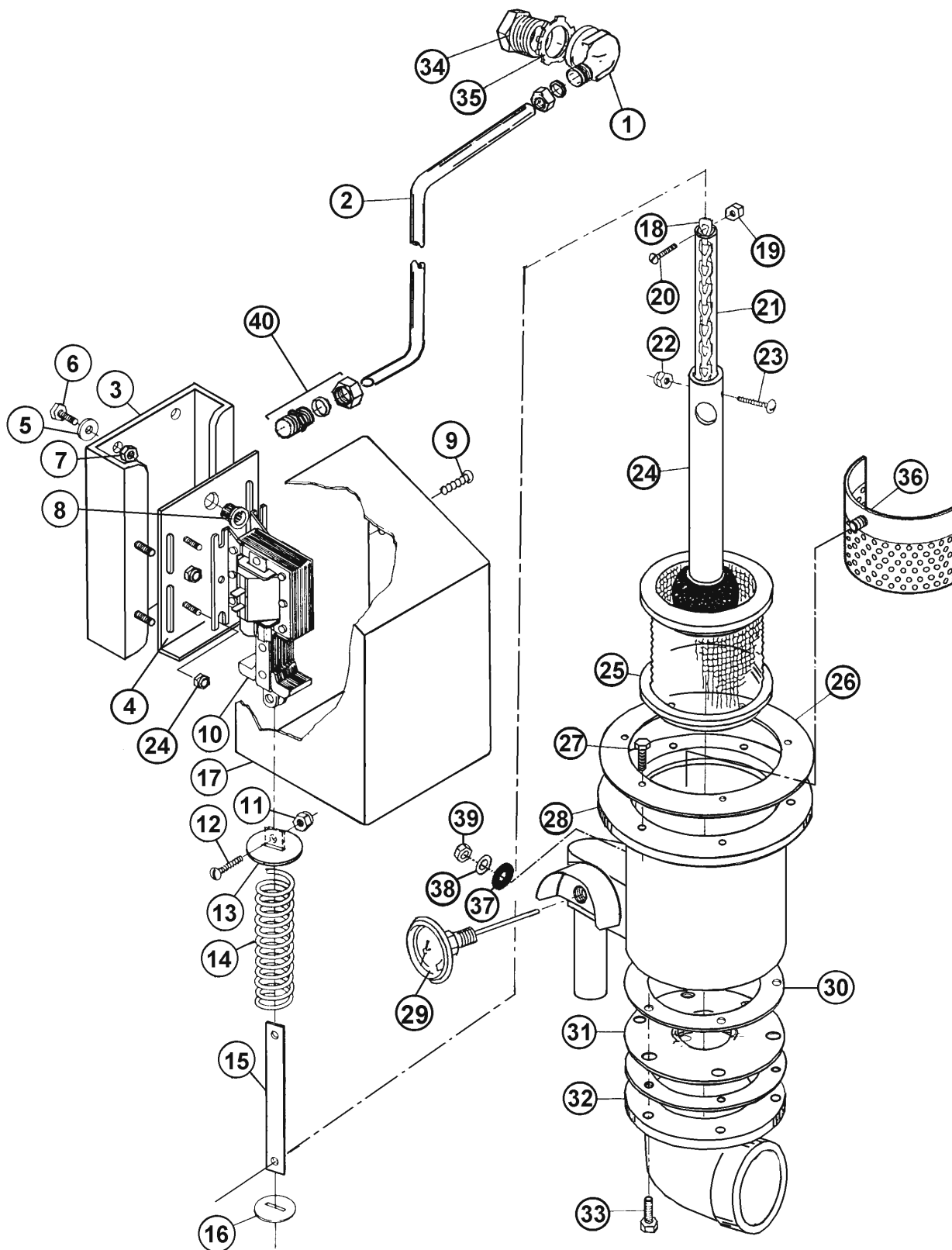


065-0100

Fresh Water Plumbing Assembly
5-CD

American Dish Service

Ref. No.	Part No.	No. Req.	Description
1	385-6121	1	Air Gap Weldment, 5-AG-S
2	092-3119	1	Fresh Water Supply Tube, 5-AG-S
3	092-1147	1	Fitting, 3/4" MPT x 5/8" Comp. 90 Deg. Elbow
4	089-7001	1	Solenoid Valve, 3/4"
5	092-1074	2	Fitting, 3/4" Street Elbow, 90°
6	092-9006	1	Y-Line Strainer, 3/4"
7	092-5055	1	Shut-Off Valve, 3/4"
8	092-1073	2	Nipple, 3/4" Close
9	389-6603	1	Gasket, Air Gap
10	098-1426	4	Bolt, 1/4-20 x 3/4", HH, SS
11	098-9027	1	U-Bolt, 1/4-20, SS
12	086-6647	1	Bracket, Plumbing, 5-AG-S
13	098-2507	6	Locknut, 1/4-20, SS
14	098-2404	8	Washer, 1/4", SS
N/S	092-9008	Rep.	Screen (Replacement), 3/4"
N/S	385-6124	1	Air Gap Flanged Outlet Elbow Weldment, 5-AG-S
Rep	092-5020	0	Solenoid Valve Repair Kit (Replacement), 3/4"
Rep	092-5026	0	Solenoid Valve Body (Replacement), 3/4"
Rep	092-5017	0	Solenoid Valve Coil (Replacement)



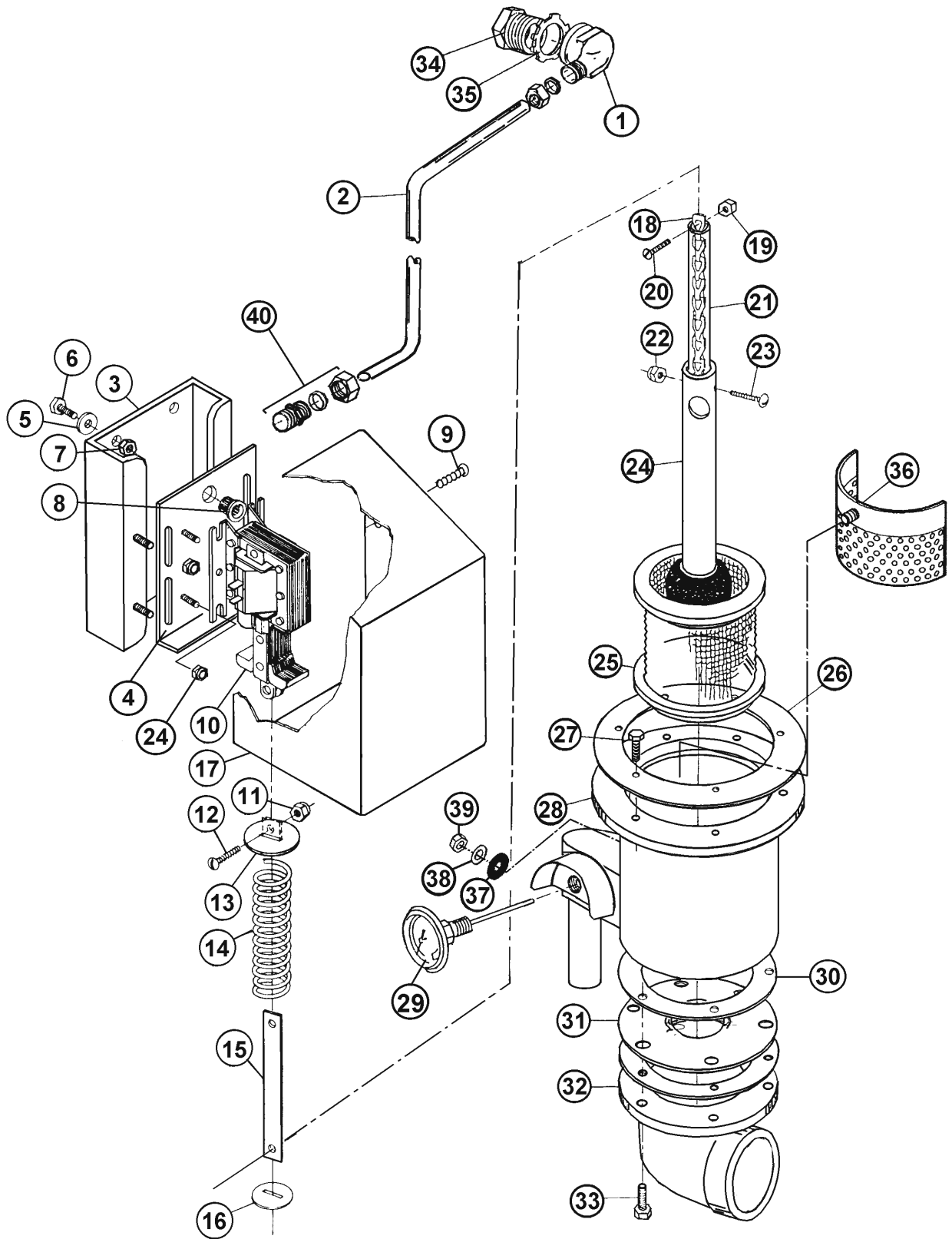
066-1700/066-1800

Drain System Assembly LF/RF

5-CD

American Dish Service

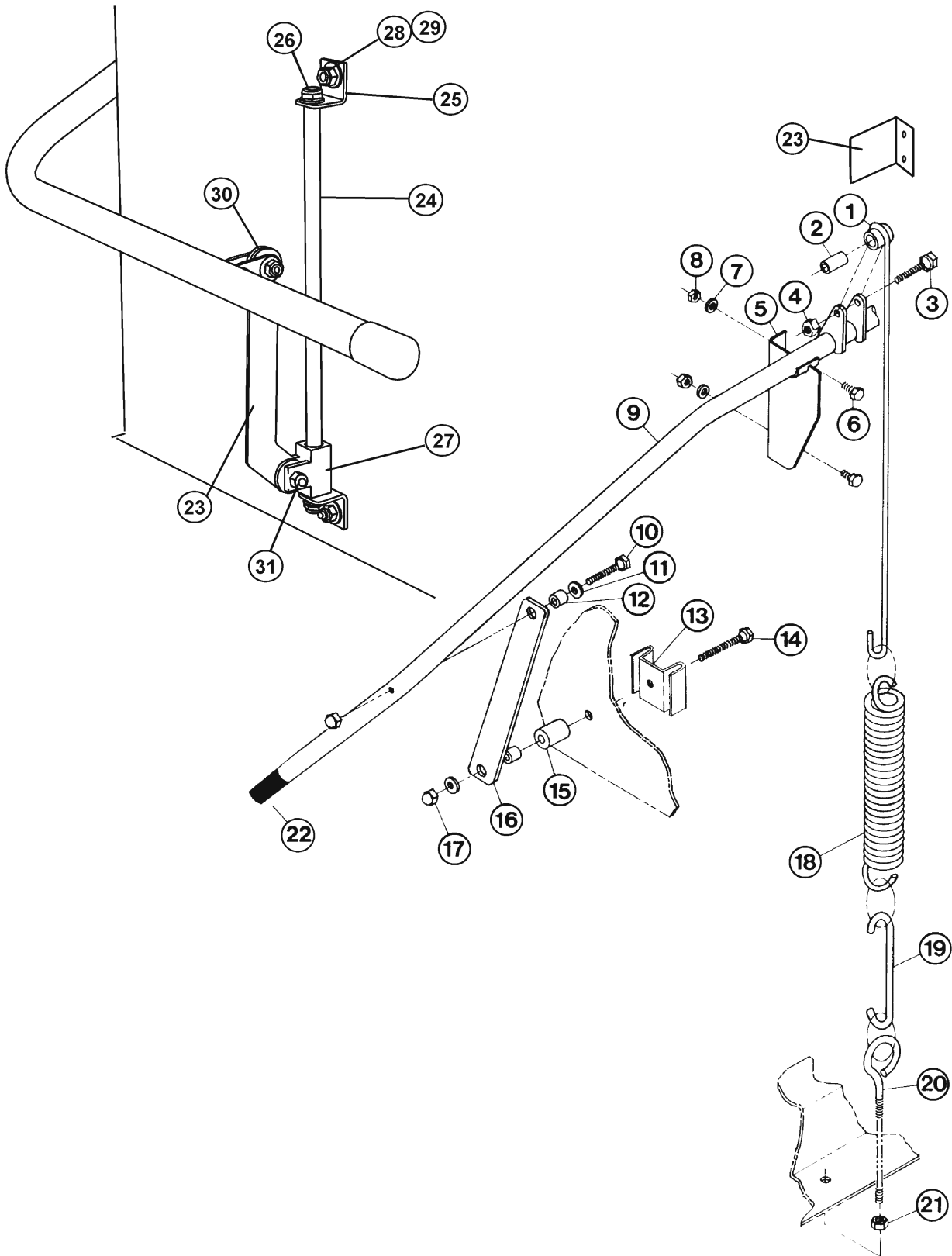
Ref. No.	Part No.	No. Req.	Description
1	092-1030	2	Conduit Fitting, 1/4", 90 Deg.
2	086-6734	1	Conduit, 3/8" O.D., LF
2A	086-6735		Conduit, 3/8" O.D., RF
3	085-6620	1	Solenoid Base, Outside Sump
4	085-6622	1	Solenoid Base Plate
4A	085-6634		Solenoid Base Weldment, RF
5	098-2404	10	Washer, 1/4", SS
6	098-1423	4	Bolt, HH, SS, 1/4-20 x 1/2"
7	098-2507	4	Locknut, SS, 1/4-20
8	091-4005	1	Grommet, Plastic, 1/2"
9	098-1413	2	Bolt, 1/4-20 x 3/8", TH, SS
10	091-2001	1	Solenoid
11	098-2201	1	Locknut, 8-32, SS
12	098-1205	1	Screw, RH, SS, 8-32 x 5/8"
13	086-6607	1	1-1/16 Slotted Washer (Large)
14	098-3001	1	Spring, Drain Solenoid, Outside Sump
15	086-6605	1	Link, Drain Solenoid, Outside Sump
16	086-6606	1	1-5/16 Slotted Washer (Small)
17	085-6617	1	Solenoid Cover, LF
17A	085-6635		Solenoid Cover, RF
18	089-6610	1	Chain, Drain, Make From 098-9001
19	098-2201	1	Locknut, 8-32, SS
20	098-1205	1	Screw, RH, SS, 8-32 x 5/8
21	084-6622	1	Chain Cover, Make From 093-1012
22	098-2301	5	Locknut, SS, 10-32
23	098-1311	1	Screw, RH, SS, 10-32 x 1 3/8
24	081-6601	1	Drain Plug Assembly, 1 1/2", Outside Sump
Rep	084-6608	0	Drain Tube (Replacement Part)
Rep	083-6601	0	Drain Ball (Replacement Part), 1 1/2"
25	085-6602	1	Sump Screen
26	089-6601	1	Sump Gasket
27	098-1423	6	Bolt, HH, SS, 1/4-20 x 1/2
28	085-6204	1	Sump Assembly With Tail Piece
29	299-1005	1	Temperature Gauge



066-1700/066-1800
 Drain System Assembly LF/RF
 5-CD

American Dish Service

Ref. No.	Part No.	No. Req.	Description
30	089-6602	2	Drain Elbow Gasket
31	086-6601	1	Drain Seat, 1 1/2"
32	085-6199	1	Drain Elbow Weldment
33	098-1508	6	Bolt, 5/16-18 x 5/8", HH, SS
34	092-1029	1	Reducer Bushing, 1/2" x 3/8"
35	091-4144	1	Conduit Locknut
36	085-6160	1	Drain Screen Secondary (To Protect The Pump)
37	098-9028	1	Washer, Rubber Reinforced
38	098-2404	1	Washer, 1/4", SS
39	098-2507	1	Locknut, 1/4-20, SS
N/S	086-6615	1	Water Fin, Outside Sump
40	092-1091	1	Fitting, 3/8" Comp x 3/8" MPT
N/S	092-1124	1	Locknut, 3/8" MPT



067-1400/067-1500

Door Actuator Assembly LF/RF
5-CD

American Dish Service

Ref. No.	Part No.	No. Req.	Description
1	085-6701	2	Spring Extension
2	098-4002	2	Bushing, Bronze
3	098-1510	2	Bolt, 5/16 x 1 1/4", HH, SS
4	098-2502	2	Nut, 5/16-18, HH, SS
5	385-6119	1	Arm Support Bracket, LH
N/S	085-6184	2	Arm Support Bracket, RH
6	098-1423	4	Bolt, 1/4-20 x 1/2", HH, SS
7	098-2404	4	Washer, 1/4", SS
8	098-2507	4	Locknut, 1/4-20, SS
9	085-6706	1	Door Operating Arm (Lever Arm)
10	098-1434	2	Bolt, 1/4-20 x 2", HH, SS
11	098-2404	6	Washer, 1/4", SS
12	084-6703	4	Bushing (Dowel 3/8")
13	086-6701	2	Door Stop
14	098-1432	2	Bolt, 1/4-20 x 1 3/4", HH, SS
15	084-6702	2	Spacer, Door
16	086-6728	1	Door Link, Long
17	098-2405	4	Cap Locknut, 1/4-20, SS
18	098-3003	2	Door Spring, 8 1/2" Long
19	086-6731	2	Spring Extension, Secondary
20	098-1581	2	Eye Bolt, 5/16-18 x 6"
21	098-2502	2	Nut, 5/16-18, HH, SS
22	092-1086	2	Lever Arm End Cap, 1"
23	086-6729	1	Door Link, Bent
24	084-6241	1	Door Slide Rod
25	086-6732	2	Bracket, Door Slide Rod
26	098-2708	2	Locknut, 3/8-16 Nylon, SS
27	084-6242	1	Door Slide
28	098-2501	2	Locknut, 5/16-18, SS
29	098-1517	2	Bolt, 5/16-18 x 3/4" Lg. TH, SS
N/S	086-6733	1	Door Stop (Front Door), 5-CD
N/S	098-2511	1	Washer, 5/16" I.D. 1" O.D., SS
30	098-2705	4	Washer, 7/16" I.D. x 1" O.D., SS
31	098-1445	2	Bolt, 1/4-20 x 1", HH, SS

American Dish Service

*Manufacturer of low and high temperature
Commercial Dishwashers and Glasswashers*

900 Blake Street
Edwardsville, Kansas 66111
Ph:(913) 422-3700
Fax:(913) 422-6630

Free Manuals Download Website

<http://myh66.com>

<http://usermanuals.us>

<http://www.somanuals.com>

<http://www.4manuals.cc>

<http://www.manual-lib.com>

<http://www.404manual.com>

<http://www.luxmanual.com>

<http://aubethermostatmanual.com>

Golf course search by state

<http://golfingnear.com>

Email search by domain

<http://emailbydomain.com>

Auto manuals search

<http://auto.somanuals.com>

TV manuals search

<http://tv.somanuals.com>