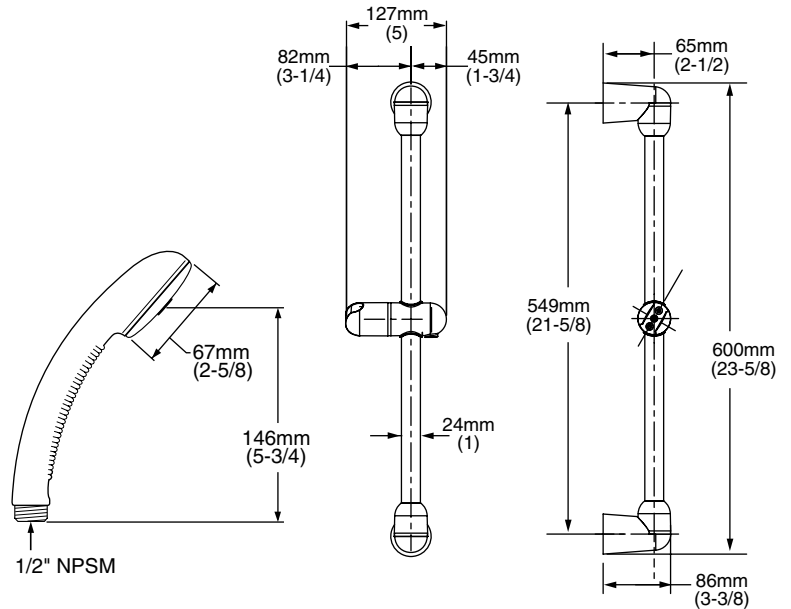
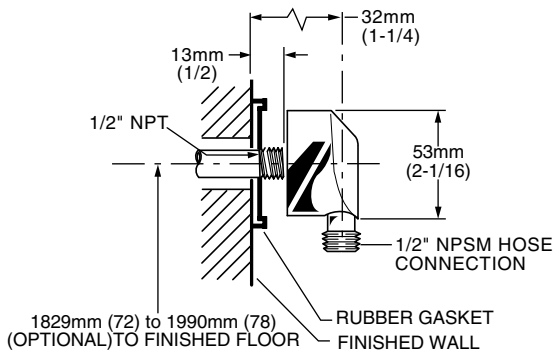


MODEL NUMBER:

☐ **1662.602 Shower System Kit**

Includes:

- | | |
|----------------------|----------|
| • Fixed Handshower | 1660.505 |
| • Hose | 8888.035 |
| • Wall Supply | 8888.037 |
| • Standard Slide Bar | 1660.225 |



GENERAL DESCRIPTION:

Complete personal shower system includes: a wall supply with 1/2" NPT female inlet, 1/2" NPSM male outlet; a 59" (1500mm) shower hose; a "Fixed" personal shower; and a 25" Slide Bar. Fixed handshower with 2.5 gpm/9.5L/min. flow restrictor. Slide bar features an adjustable shower holder which can be set at any height or position along the bar and angle up to 45°.

PRODUCT FEATURES:

PERSONAL SHOWER:

Lightweight, Ergonomic Design: For a sure grip even with wet, soapy hands.

SLIDE BAR:

Simple Height Adjustment: Allows positioning of the personal shower anywhere along the bar.

SUGGESTED SPECIFICATION:

Shower system shall feature a wall supply with 1/2" NPT female inlets, 1/2" NPSM male outlet, 59" hose, personal shower and a 25" Standard Slide Bar. Fitting shall be American Standard Model # 1662.602.____.

CODES AND STANDARDS

Install as required to comply with local code requirements.

ASME A112.18.1

Product Number	Description	Finish
		Polished Chrome
1662.602	Shower System Kit. Contains "Fixed" handshower, hose, wall supply and slide bar.	002

Free Manuals Download Website

<http://myh66.com>

<http://usermanuals.us>

<http://www.somanuals.com>

<http://www.4manuals.cc>

<http://www.manual-lib.com>

<http://www.404manual.com>

<http://www.luxmanual.com>

<http://aubethermostatmanual.com>

Golf course search by state

<http://golfingnear.com>

Email search by domain

<http://emailbydomain.com>

Auto manuals search

<http://auto.somanuals.com>

TV manuals search

<http://tv.somanuals.com>