

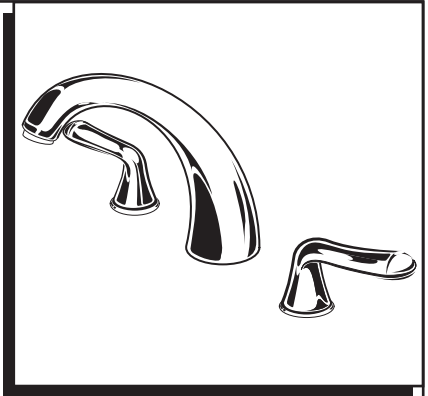
American Standard

Installation Instructions 3985 Series

CADET™ DECK-MOUNT BATH FILLER

Thank you for selecting American-Standard...the benchmark of fine quality for over 100 years.

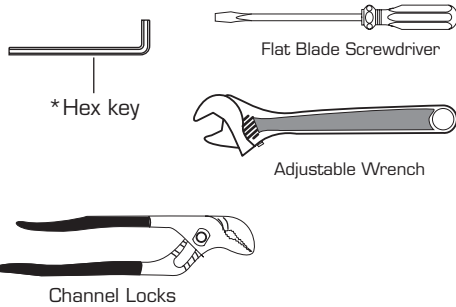
To ensure that your installation proceeds smoothly—please read these instructions carefully before you begin.



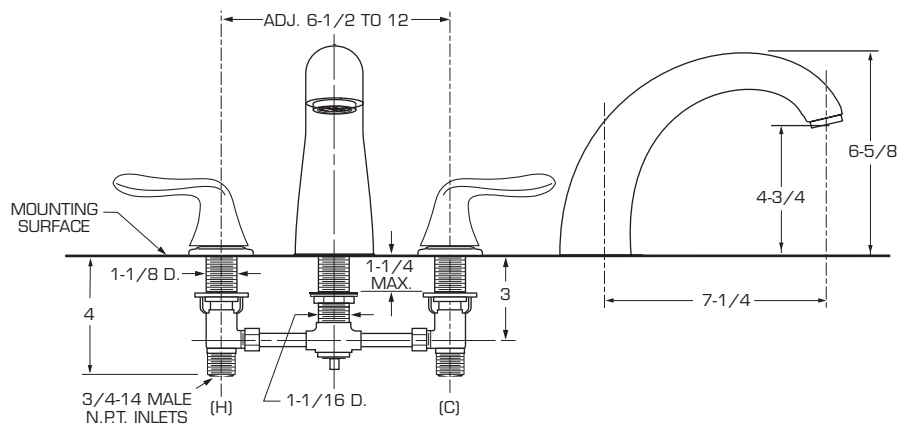
Certified to comply with ANSI A112.18.1M
U.S. Patent No. 5,819,789; D405,165

M968236 Rev.1.2

Required Tools



*Supplied with Fitting

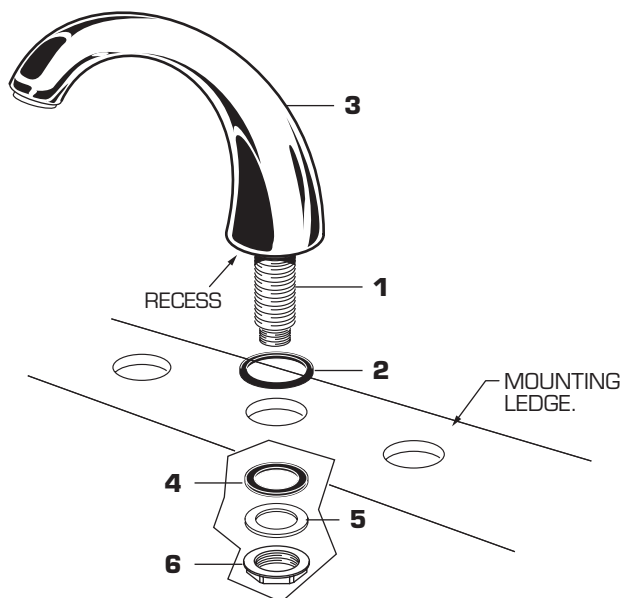


1 SPOUT ASSEMBLY

CAUTION

Turn off hot and cold water supplies before beginning.

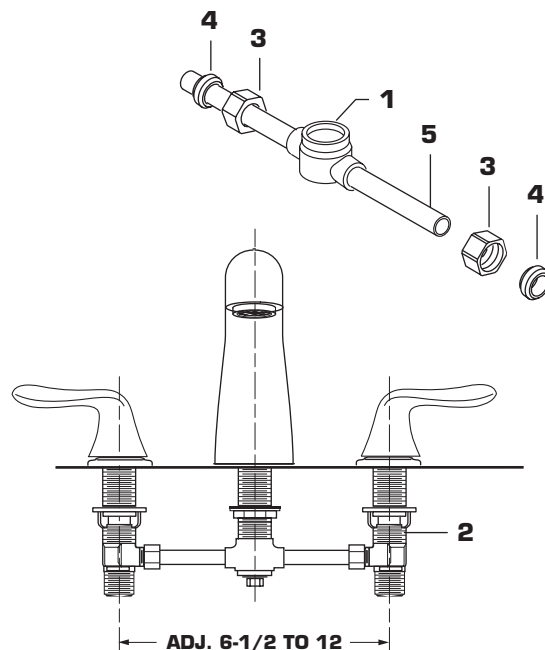
- Insert SPOUT SHANK (1) through center hole of MOUNTING LEDGE. Make sure that the RUBBER RING (2) is properly seated in RECESS at base of SPOUT (3).
- Assemble RUBBER WASHER (4) and BRASS WASHER (5) onto SHANK (1). From underside of ledge secure SPOUT (3) into position with LOCKNUT (6).



2

PREPARE TUBE AND TEE ASSEMBLY

- Prepare TUBE and TEE ASSEMBLY (1) to fit center to center VALVE (2) location (between 6-1/2" and 12"). If necessary, cut and/or bend TUBING carefully. Make sure tube bend is close to the TEE (1) so that it will not effect the compression joint at the VALVE CONNECTION.
- Remove COUPLING NUT (3) and FERRULE (4) from each VALVE (2) and slide onto TUBING (5).

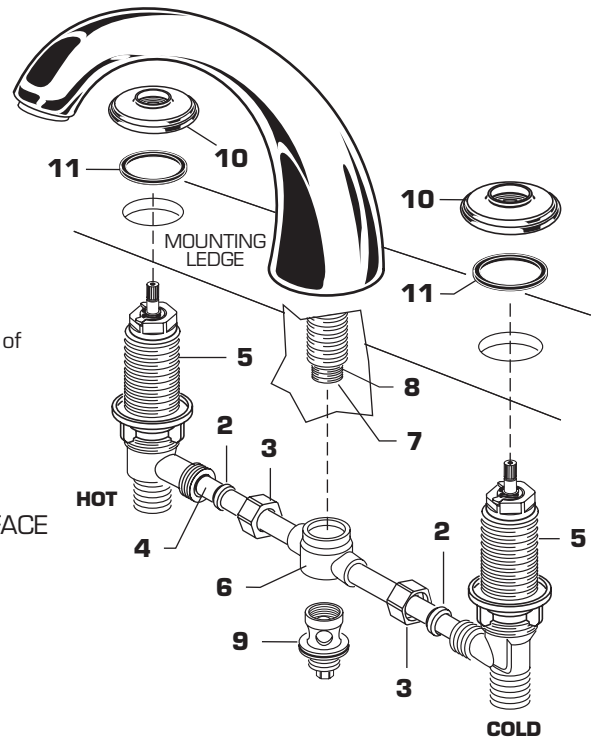
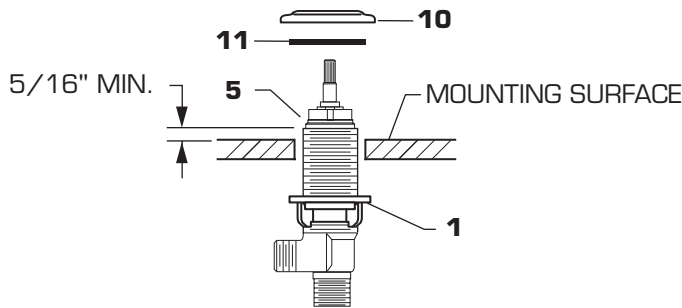


NOTE VALVE inlet is 3/4-inch NPT male connector.

3

VALVE ASSEMBLY

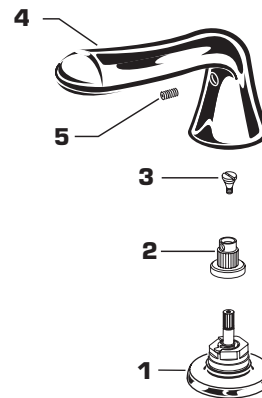
- Install MOUNTING NUT (1) onto valve shanks.
- Push TUBING (4) ends into VALVE (5) side outlets. Insert VALVES (5) into mounting holes from underside of ledge.
- Press TEE (6) onto SPOUT SHANK (7) making certain that the O-RING (8) is properly seated on SHANK (7). Push COUPLING (9) into TEE (6) and attach to SPOUT SHANK (7) and tighten.
- Place RUBBER RING (11) into ESCUTCHEON (10) and thread onto valves until snug against internal stop.
- Tighten MOUNTING NUT (1) to secure VALVE (5) position.
- Slide FERRULE (2) and COUPLING NUT (3) to outlet of VALVE (5) and tighten COUPLING NUT (3) firmly.
- Connect HOT water supply to inlet of left VALVE and COLD water supply to inlet of right VALVE using appropriate connector.



4

INSTALL HANDLES

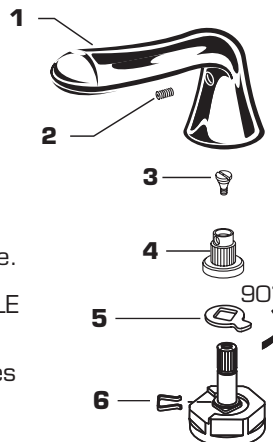
- Turn HANDLE STEM (1) to "OFF" position.
- Place the HANDLE ADAPTER (2) on the HANDLE STEM (1). Install the ADAPTER SCREW (3) and tighten securely.
- Position LEVER HANDLE (4) and place on ADAPTER (2). Install the HANDLE SCREW (5) and tighten securely.



5

SERVICE

- To change direction of handle rotation, proceed as follows:
 - Turn valve to OFF position.
 - Loosen HANDLE SET SCREW (2) and pull off HANDLE (1).
 - Remove ADAPTER SCREW (3) and pull off Adapter (4).
 - Remove SPRING CLIP (6).
 - Lift STOP WASHER (5), turn 90° and replace.
 - Replace SPRING CLIP (6).
 - Reinstall ADAPTER (4) and complete HANDLE ASSEMBLY.
- If spout drips, operate handles several times from OFF to ON position. Do not force - handles turn only 90°.



6

CARE

CARE INSTRUCTIONS:

DO: SIMPLY RINSE THE PRODUCT CLEAN WITH CLEAR WATER. DRY WITH A SOFT COTTON FLANNEL CLOTH.

DO NOT: CLEAN THE PRODUCT WITH SOAPS, ACID, POLISH, ABRASIVES, HARSH CLEANERS, OR A CLOTH WITH A COARSE SURFACE.

Free Manuals Download Website

<http://myh66.com>

<http://usermanuals.us>

<http://www.somanuals.com>

<http://www.4manuals.cc>

<http://www.manual-lib.com>

<http://www.404manual.com>

<http://www.luxmanual.com>

<http://aubethermostatmanual.com>

Golf course search by state

<http://golfingnear.com>

Email search by domain

<http://emailbydomain.com>

Auto manuals search

<http://auto.somanuals.com>

TV manuals search

<http://tv.somanuals.com>