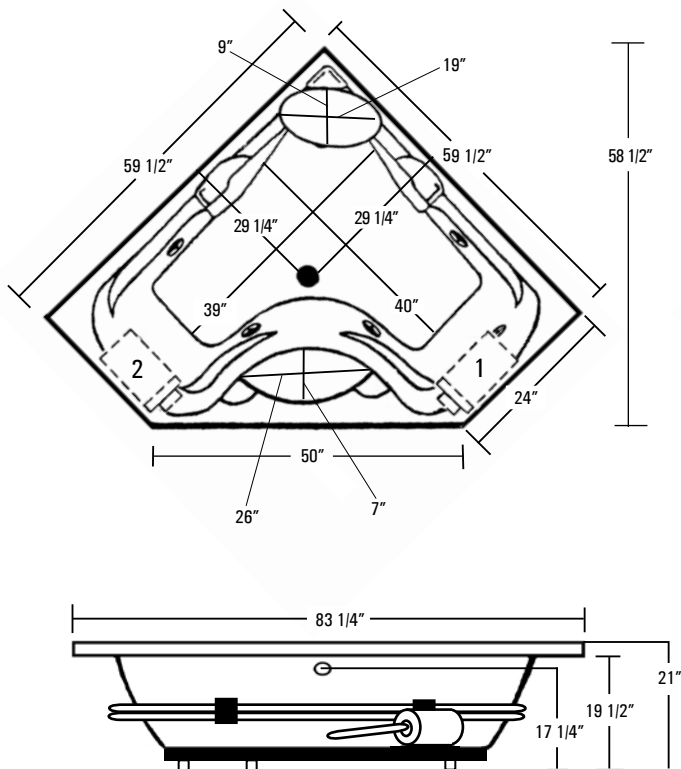


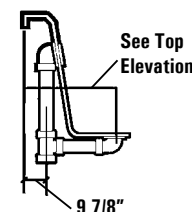
SYMPHONY 7

AQUATIC

SYMPHONY SERIES MODEL # AI6060FDSSY / AI6060FDSSYTO (TUB ONLY)



Rough-In Plumbing Measurements



SPECIFICATIONS:

GENERAL SPECIFICATIONS:

Tub Size	59 1/2" x 59 1/2" x 21"
	151 cm x 151 cm x 53 cm
Bathing Well	40" long
	17 1/2" wide
	19 3/8" interior depth
Maximum Water Depth	16"
Shipping Weight	224 lbs. / 102 kg
Tub Weight Filled	905 lbs. / 411 kg
Tub Only Weight	164 lbs. / 164 kg
Gallons to Overflow	89 gal. / 337 L
Gallons to Operate	1 bather: 78 gal. / 295 L
	2 bathers: 63 gal. / 238 L

ELECTRICAL SPECIFICATIONS:

Pump Requirement	.80 HP; 5.5 AMP; 110V
	15 AMP; 110V, separate circuit required protected w/ Class A GFCI

STANDARD EQUIPMENT:

- 8 Hydrotherapy Jets including:**
- 4 Spinning Back Jets
 - 4 Directional Jets
- Aquatic Quality Features:**
- .80 HP Run-Dry Pump
 - Bath-Side On/Off Air Button
 - Corner Seat
 - "Quiet Pad" Anti-Vibration Pump Mount for Quiet Pump Operation
 - Heat-bent Rigid PVC Piping for Optimum Sanitary Conditions
 - 4 Arm Rests
 - 2 Integrally Molded Safety Grasps
 - Color Matched Trim and Jets (Select Colors)
 - Slip Resistant Floor
 - Durable, Easy to Clean, Lucite® Cast Acrylic Surface
 - Available in 8 Standard No-Charge Colors
- UL & IAPMO Listed, Factory Tested**
Limited 10 Year Warranty

OPTIONAL EQUIPMENT:

- Comfort Pillow--Oval or Rectangle
- 1.5 kW Inline Maintenance Heater (Pump Options 1, 2)
- Bolt-On Grab Bars
 - White, Biscuit, Chrome, Polished Brass, Gold, Polished Nickel, Satin Nickel or Oil Rubbed Bronze
- Lift & Turn Waste and Overflow
 - Chrome, Polished Brass, Gold, Polished Nickel, Satin Nickel or Oil Rubbed Bronze
- Cable Drive Waste and Overflow
 - Chrome, Polished Brass, Gold, Polished Nickel, Satin Nickel, Oil Rubbed Bronze or Color Matched (Bone, White and Biscuit Only)
- Factory Installed Rigid ABS Tile Flange
- Optional Pump Location

All acrylic colors featured by Aquatic match the industry's leading fixture manufacturers.

**Fax-On-Demand
Document # 1275**



Free Manuals Download Website

<http://myh66.com>

<http://usermanuals.us>

<http://www.somanuals.com>

<http://www.4manuals.cc>

<http://www.manual-lib.com>

<http://www.404manual.com>

<http://www.luxmanual.com>

<http://aubethermostatmanual.com>

Golf course search by state

<http://golfingnear.com>

Email search by domain

<http://emailbydomain.com>

Auto manuals search

<http://auto.somanuals.com>

TV manuals search

<http://tv.somanuals.com>