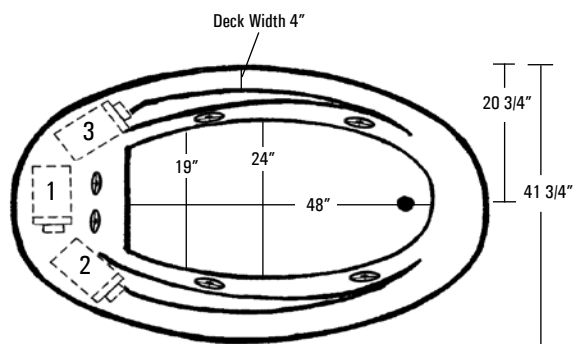


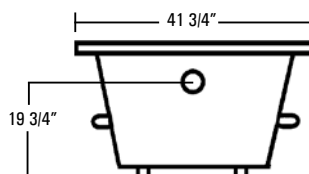
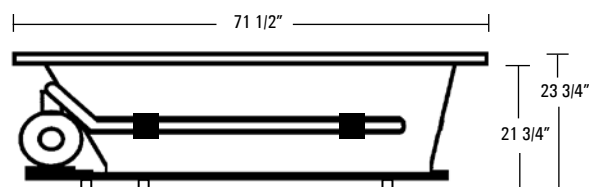
# SYMPHONY 17

AQUATIC

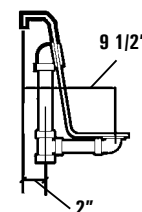
SYMPHONY SERIES MODEL # AISL7242SY / AISL7242SYTO



ALSO AVAILABLE AS TUB ONLY



Rough-In Plumbing Measurements



## SPECIFICATIONS:

### GENERAL SPECIFICATIONS:

Tub Size	71 1/2" x 41 3/4" x 23 3/4"
	182 cm x 105 cm x 60 cm
Bathing Well	48" long
	24" wide
	22" interior depth
Maximum Water Depth	16"
Shipping Weight	169 lbs. / 77 kg
Tub Weight Filled	677 lbs. / 307 kg
Tub Only Weight	119 lbs. / 54 kg
Gallons to Overflow	67 gal. / 254 L
Gallons to Operate	56 gal. / 212 L

### ELECTRICAL SPECIFICATIONS:

Pump Requirement	.80 HP; 5.5 AMP; 110V
	15 AMP; 110V, separate circuit required protected w/ Class A GFCI

### STANDARD EQUIPMENT:

- 6 Hydrotherapy Jets including:**
- 2 Spinning Back Jets
  - 4 Directional Jets
- Aquatic Quality Features:**
- .80 HP Run-Dry Pump
  - Bath-Side On/Off Air Switch
  - 2 Arm Rests
  - "Quiet Pad" Anti-Vibration Pump Mount for Quiet Pump Operation
  - Heat-bent Rigid PVC Piping for Optimum Sanitary Conditions
  - Color Matched Trim and Jets (Select Colors)
  - Durable, Easy to Clean, Lucite® Cast Acrylic Surface
  - Available in 8 Standard No-Charge Colors
- UL and IAPMO Listed, Factory Tested Limited 10 Year Warranty**

### OPTIONAL EQUIPMENT:

- Comfort Pillow--Oval or Rectangle
- Bolt-On Grab Bars
  - White, Biscuit, Chrome, Polished Brass, Gold, Polished Nickel, Satin Nickel or Oil Rubbed Bronze
- 1.5 kW Inline Maintenance Heater (Pump Options 1, 2, 3)
- Lift & Turn Waste and Overflow
  - Chrome, Polished Brass, Gold, Satin Nickel, Polished Nickel or Oil Rubbed Bronze
- Cable Drive Waste and Overflow
  - Chrome, Polished Brass, Gold, Satin Nickel, Polished Nickel, Oil Rubbed Bronze or Color Matched (Bone, White and Biscuit Only)
- Optional Pump Location

All acrylic colors featured by Aquatic match the industry's leading fixture manufacturers.

Fax-On-Demand  
Document # 1285



## Free Manuals Download Website

<http://myh66.com>

<http://usermanuals.us>

<http://www.somanuals.com>

<http://www.4manuals.cc>

<http://www.manual-lib.com>

<http://www.404manual.com>

<http://www.luxmanual.com>

<http://aubethermostatmanual.com>

Golf course search by state

<http://golfingnear.com>

Email search by domain

<http://emailbydomain.com>

Auto manuals search

<http://auto.somanuals.com>

TV manuals search

<http://tv.somanuals.com>