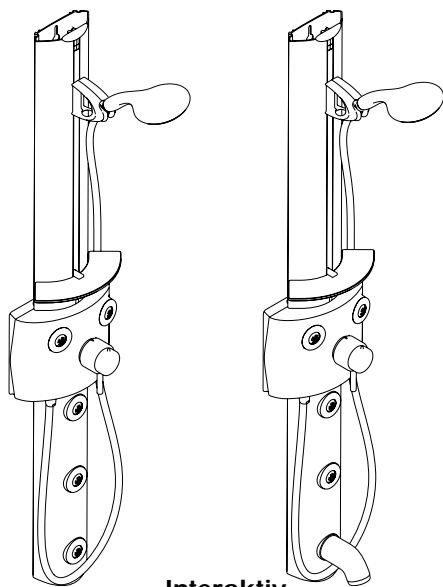


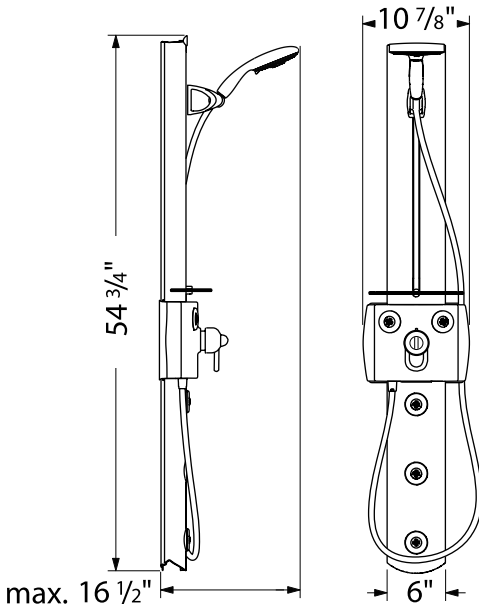
Installation Instructions / Warranty



Interaktiv
Showerpanel

hansgrohe

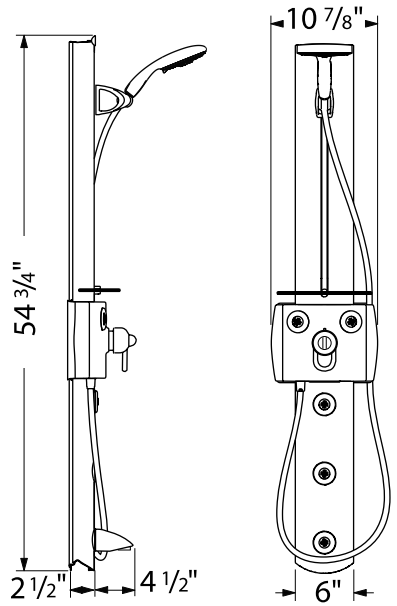
Interaktiv Showerpanel I
 Interaktiv Showerpanel II



Showerpanel I

handshower & bodyjets

Metro	06572000
Solaris	06549XX0
Stratos	06564XX0
Interaktiv S	06893000
Proaktiv*	06964000



Showerpanel II

handshower, bodyjets, tub spout

06573000
06550XX0
06565XX0
06894000
06971000

Product Specification

Flow rate of handshower 2.5 gpm
 Flow rate of each bodyjet 1.0 gpm
 Maximum flow rate of thermostatic mixing valve 8 gpm @ 45 psi

10 gpm @ 65 psi
 120° – 140° F**
 45 – 72 psi

Recommended incoming hot water temperature
 Recommended incoming water pressure
 Anodized aluminum body

Listed by Underwriters Laboratories

Backflow protection provided by check valve in handshower outlet.

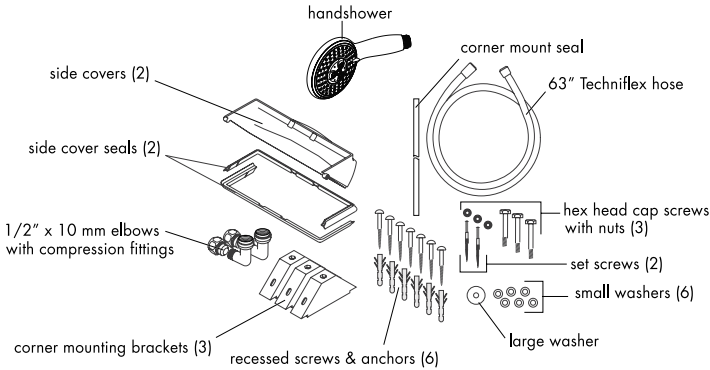
The high temperature limit stop on the thermostatic mixing valve cartridge can be re-set to comply with local plumbing codes -- see page 13.

*Proaktiv showerpanels are sold without trim. Proaktiv showerpanel trim kits are sold separately.

**Please know and follow all applicable local plumbing codes when setting the temperature on the water heater. In Massachusetts, the water heater may be set no higher than 112°F.

Check Package Contents

Save time and aggravation. Before beginning installation, check the contents of this package. Make sure that all parts are present and in good condition. If any part is missing or damaged, please contact Hansgrohe Customer Service before proceeding.



Note: the handshower and Techniflex hose are not included with the Proaktiv showerpanel. They are included with the trim kit (sold separately).

Tools Required

The following tools are suggested for installing the Interaktiv Showerpanel:

- Tape measure
- Level
- Grease pencil or other marking device
- Drill with 6 mm bit suitable for wall surface
- 10 mm nut driver
- 10, 11 and 19 mm wrenches
- 3 mm Allen wrench
- Phillips screwdriver
- Waterproof sealant
- Mallet (to install anchors)
- Teflon thread tape

Roughing-in

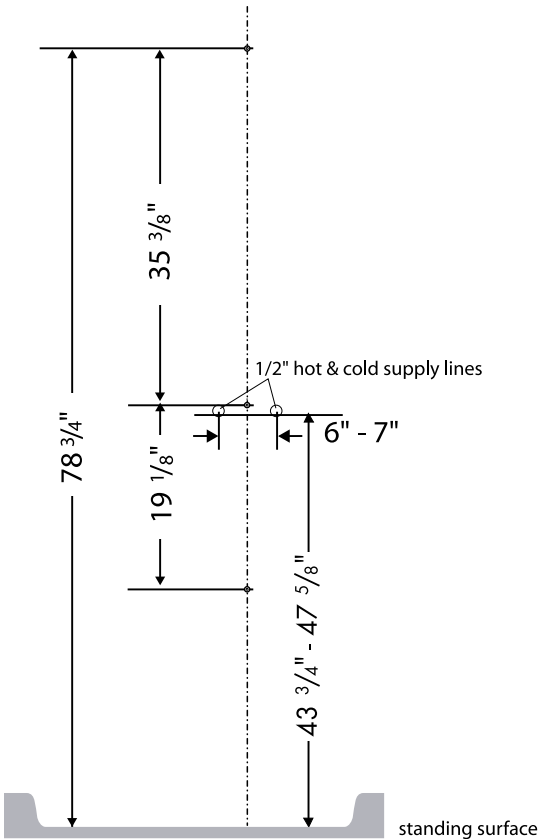
This unit can be installed on a flat wall or in a 90° corner. Instructions for installation on a flat wall begin on page 5. Go to page 8 if the panel is to be installed in a corner.

Ensure that you have a minimum 83" ceiling height from the standing surface.

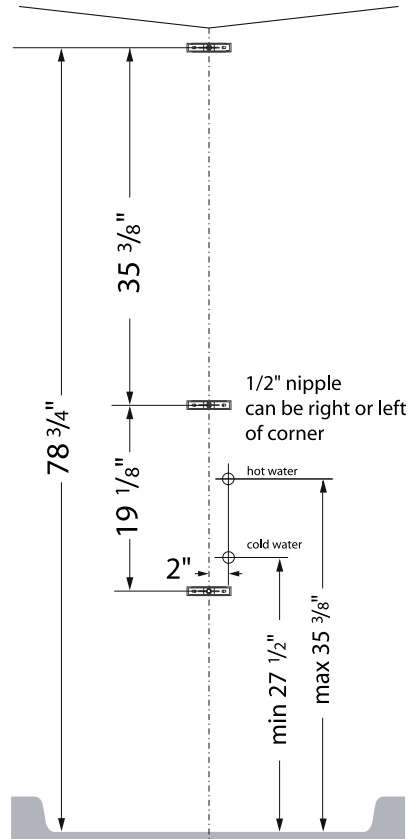
Stub out 1/2" NPT male nipples for the hot and cold water supplies at the locations shown on the appropriate rough-in diagram. The nipples should extend 5/8" outside the surface of the finished wall.

Install the wall surface and make the wall watertight before installing the panel. The panel hangs on the finished wall. Seal the wall around the nipples with waterproof sealant.

Installation on a Flat Wall



Installation in 90° Corner



Installation -- Flat Wall

Wrap the threads on the supply nipples with Teflon thread tape.

Install the enclosed elbows so that the outlets face upwards.

Measure up the wall $78\frac{3}{4}"$, making sure that the line is plumb. Mark the position for the top screw hole.

From the position of the top screw hole, measure down $35\frac{3}{8}"$. Mark the position for the center screw hole.

From the center screw hole, measure down $19\frac{1}{8}"$. Mark the position for the bottom screw hole.

Use a 6 mm drill bit suitable for the wall surface. Drill the three screw holes.

Install the anchors. Seal the wall around the anchors with waterproof sealant.

Install the set screws in the top and bottom holes.

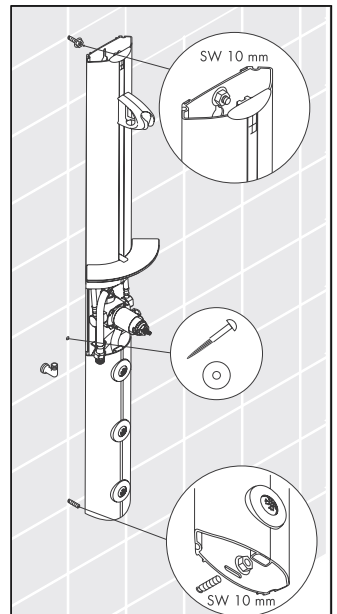
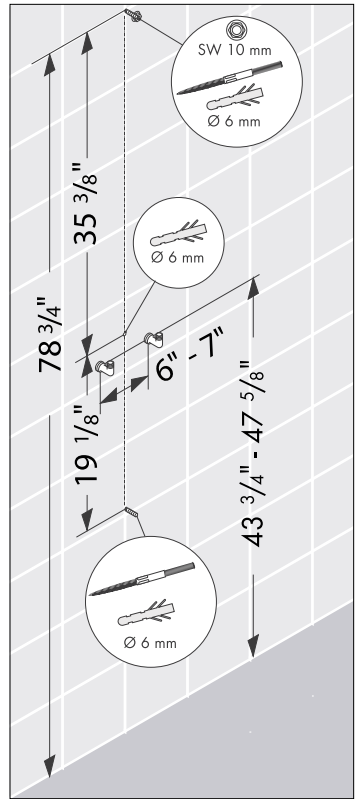
Use a 10 mm nut driver to attach a nut to the top set screw.

Slide the panel over the top and bottom set screws.

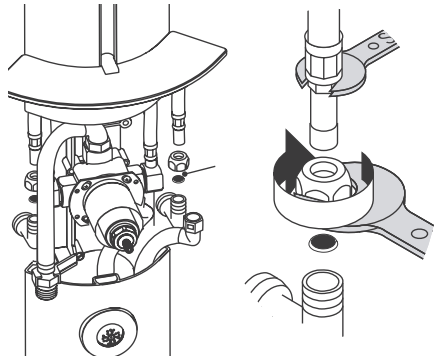
Tighten the nut on the top set screw.

Install and tighten the nut on the bottom set screw.

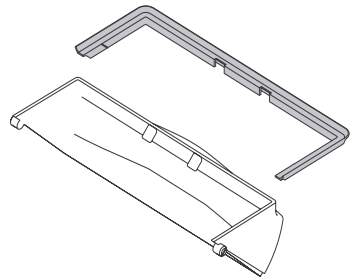
Install one recessed head screw and the large washer on the center hole. Tighten the screw.



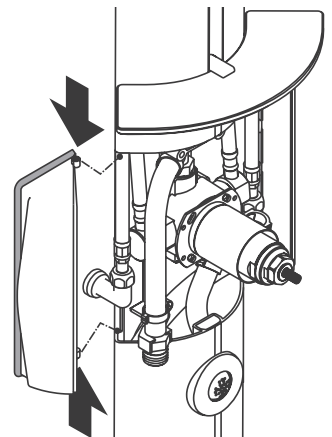
Use the compression nuts and ferrules to connect the supply hoses on the panel to the supply elbows. Use two wrenches, as shown, to prevent the supply hoses from twisting.



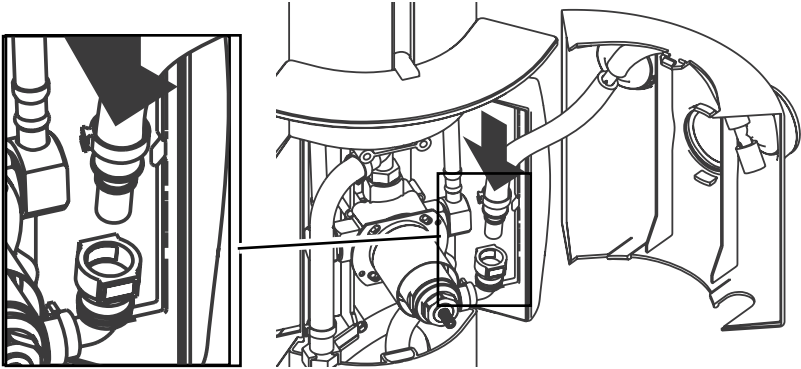
Attach the seals to the side covers.



Install the side covers. The pins on the covers must go into the grooves on the sides of the panel.



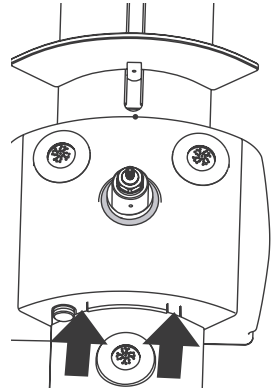
Push the bodyjet supply hose on the valve cover into the fitting on the panel.



Install the valve cover on the panel.

The pins on the cover must connect to the slots on the panel.

Turn to page 11 to continue the installation.



Installation in 90° Corner

Wrap the threads on the nipples with Teflon thread tape. Install the enclosed elbows so that the outlets face upwards.

In the corner, measure up the wall $78 \frac{3}{4}$ " , making sure that the line is plumb. Mark the position for the top mounting bracket.

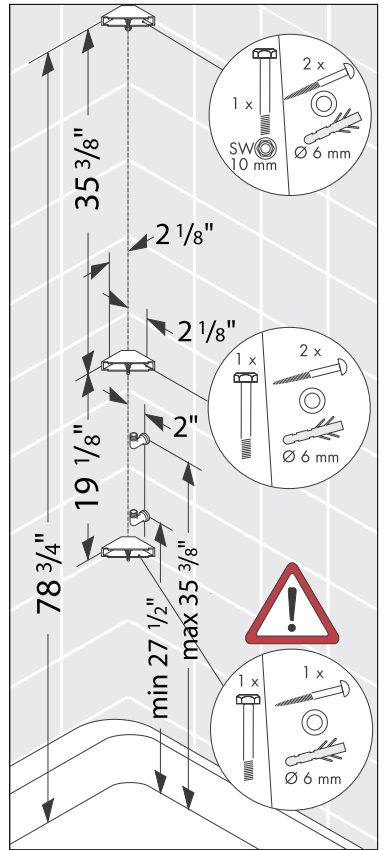
From the position of the top screw hole, measure down $35 \frac{3}{8}$ ". Mark the position for the center mounting bracket.

From the center screw hole, measure down $19 \frac{1}{8}$ ". Mark the position for the bottom mounting bracket.

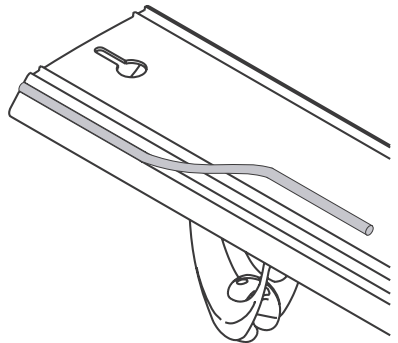
Use the mounting brackets as templates to mark the positions of the screw holes. Drill the holes with a 6 mm bit suitable for the wall surface.

Install the anchors. Seal around the anchors with waterproof sealant.

Install the mounting brackets to the walls using five of the recessed head screws.

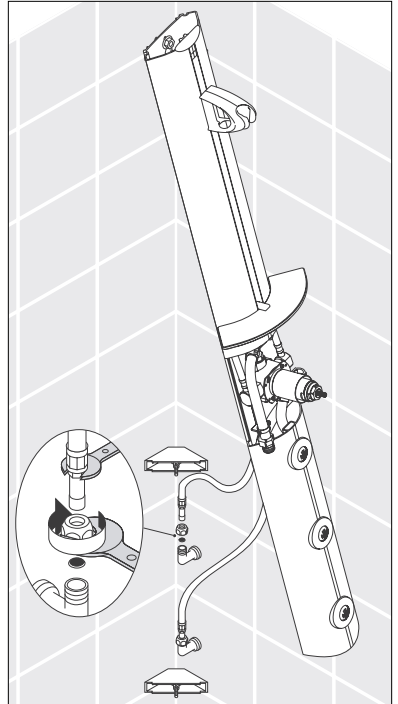


Install the corner sealing gasket to the grooves on the panel.



While a helper holds the panel, attach the supply hoses to the elbows with the compression fittings.

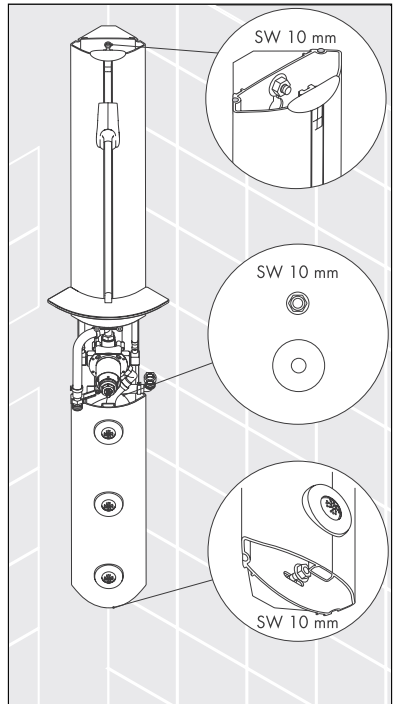
Use two wrenches, as shown in the diagram, to prevent the supply hoses from twisting.



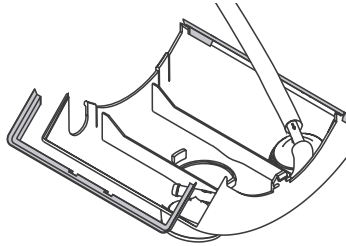
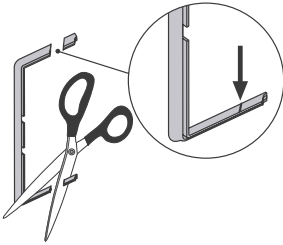
Tighten the hex head cap screw on the top mounting bracket.

Install and tighten the hex head cap screw on the bottom mounting bracket through the hole in the panel and tighten.

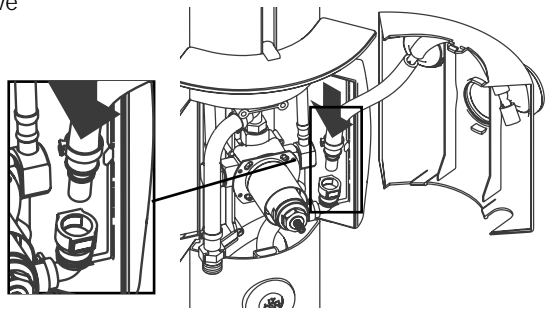
Install the hex head cap screw and large washer on the center mounting bracket through the hole in the panel and tighten.



Clip the side cover seals as shown in the diagram. Attach the side cover seals to the valve cover.

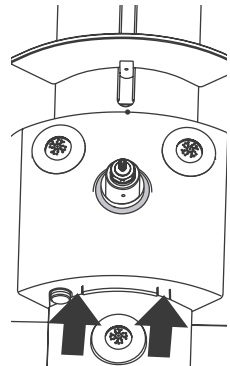


Push the bodyjet supply hose on the valve cover into the fitting on the panel.



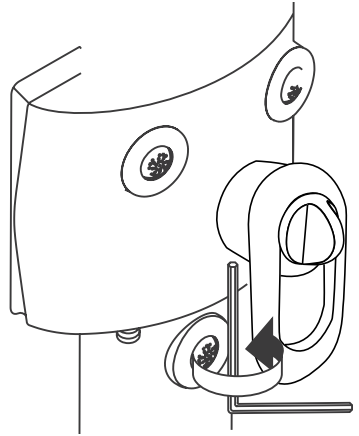
Install the valve cover on the panel. The pins on the cover must connect to the slots on the panel.

Turn to page 11 to continue the installation.



Install the Handle

Push the handle over the valve stem. Tighten the set screw on the bottom of the handle with a 3 mm Allen wrench. The set screw must engage the slot milled into the thermoelement.

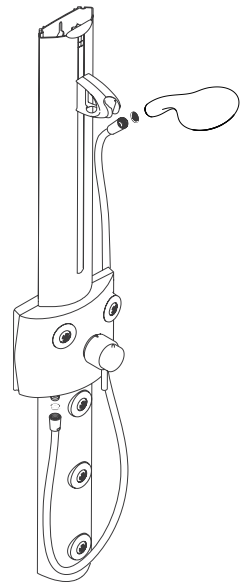


Install the Handshower

Place a black rubber washer in the short hose end connector. Screw the short hose end connector to the handshower outlet on the panel.

Place the screen washer in the long hose end connector. Screw the long hose end connector to the handshower.

Place the handshower in the handshower holder.

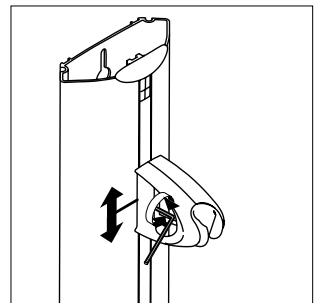


Adjust the Slider

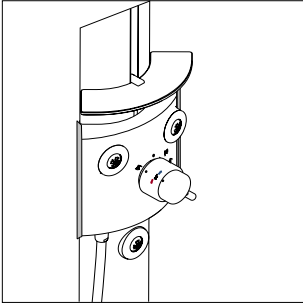
Use a 2.5 mm Allen wrench to adjust the tension on the slider.

Turn the screw clockwise to make the slider easier to move.

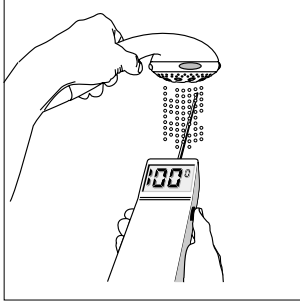
Turn the screw counter-clockwise to make the slider harder to move.



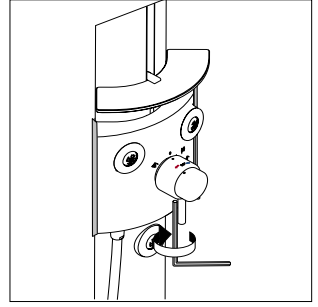
Justify the Handle



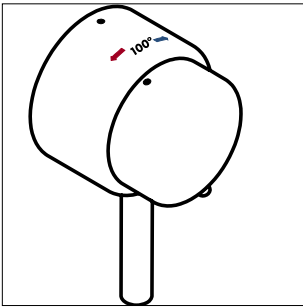
Turn the water on to the handshower.



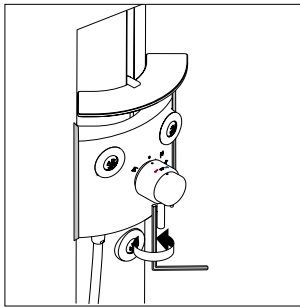
Turn the temperature control knob so that the water measures 100°F on a thermometer. Turn the water off.



Remove the handle.

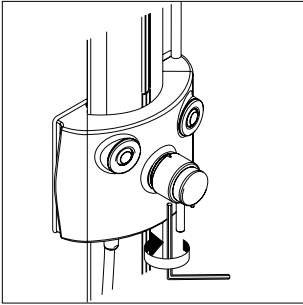


Turn the temperature control knob so that the indicator is next to the 100° marking.

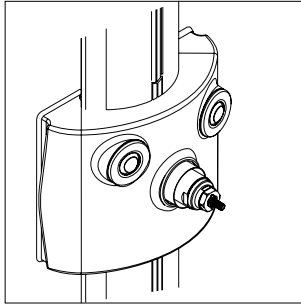


Replace the handle. Tighten the set screw.

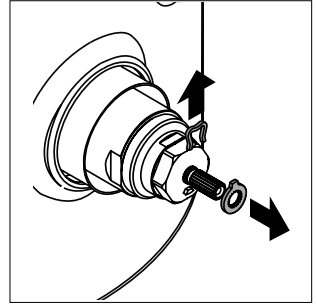
Set the High Temperature Limit Stop (optional)



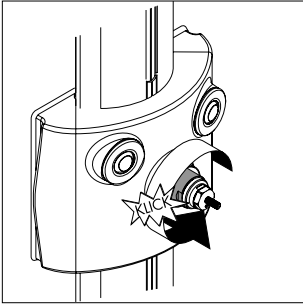
Loosen the set screw on the handle.



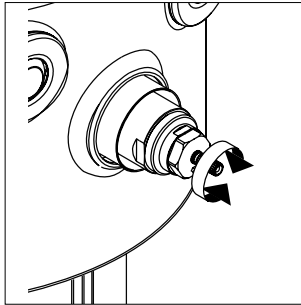
Remove the handle.



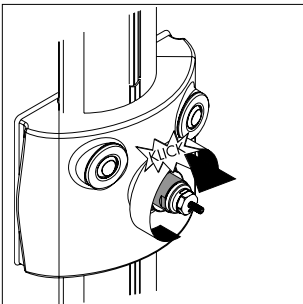
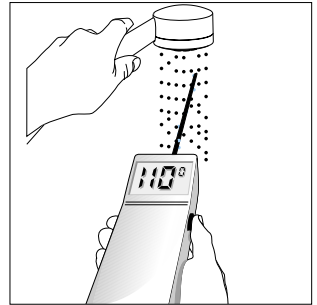
Remove the clip and the high temperature limit stop from the stem.



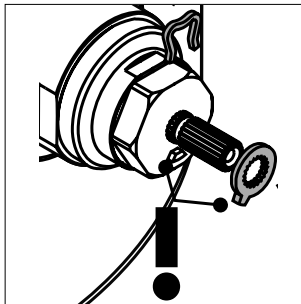
Grasp the barrel on the cartridge and turn it counter-clockwise to turn on the handshower.



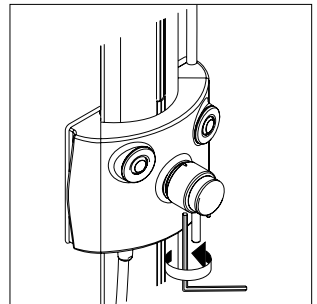
Turn the stem until the water coming out of the handshower is the desired maximum high temperature (usually about 110°F).



Grasp the barrel and turn it clockwise to turn the water off.



Replace the high temperature limit stop so that it is against the brass stop on the top of the cartridge. Replace the clip.



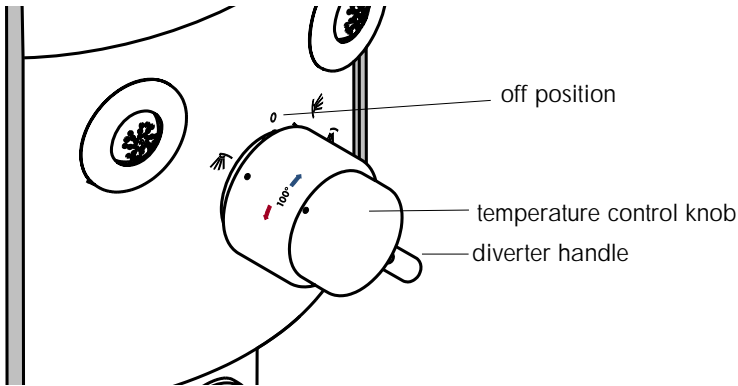
Reinstall the handle. Tighten the set screw.

User Instructions - Showerpanel I

Turn the temperature control knob clockwise to make the water cooler, counter-clockwise to make it warmer. The knob will stop at the 100°F position. If water hotter than 100°F is desired, push in on the knob, and continue turning it counter-clockwise.

From the "off" position, turn the diverter handle counter-clockwise for the handshower.

Turn the diverter handle clockwise for the bodysprays. Turn the handle further clockwise for the handshower and the bodysprays simultaneously.



User Instructions - Showerpanel II

Turn the temperature control knob clockwise to make the water cooler, counter-clockwise to make it warmer. The knob will stop at the 100°F position. If water hotter than 100°F is desired, push in on the knob, and continue turning it counter-clockwise.

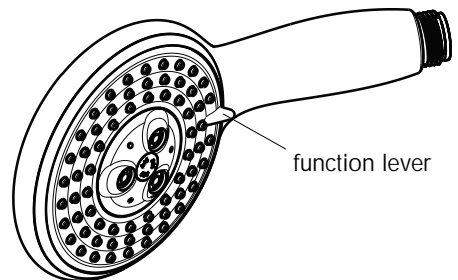
From the "off" position, turn the diverter handle counter-clockwise for the tub spout.

Turn the diverter handle clockwise for the handshower, then for the handshower and bodysprays simultaneously, and finally for the bodysprays.

Using the Handshower

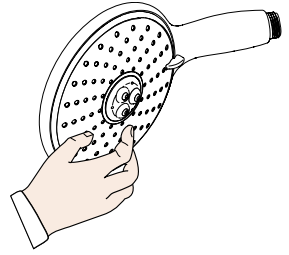
The handshower has 3 spray modes -- Rain! AIR, Whirl AIR, and Balance AIR.

Push the function lever until the desired spray mode is achieved.

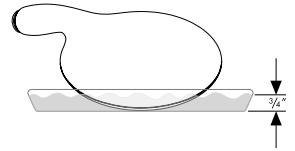


Scale Removal

The Raindance Air 3-jet handshower incorporates the Rubit™ cleaning system. If scale deposits are noticed in the spray channels, turn the water on lightly and rub the spray channels with a finger or a sponge.

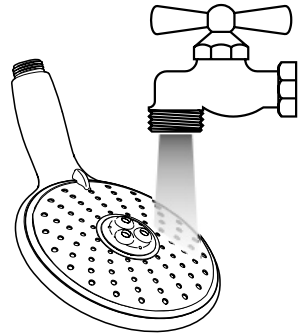


If scale deposits are noticed on the spray face, pour about 3/4" of a commercial scale remover, such as Lime-Away™ or CLR™, into a shallow dish. Dilute the remover according to the label instructions.

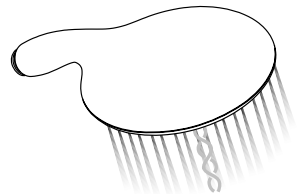


Soak only the spray face in the solution for the amount of time specified on the label.

Rinse the handshower with clear water.



Reinstall the handshower. Turn on the water and allow the handshower to flush for at least one minute.

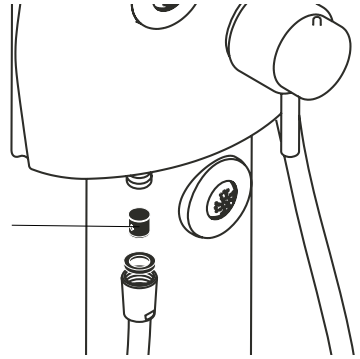


Check Valve Maintenance

The check valve should be removed and inspected yearly.

If the check valve is damaged, it should be replaced.

check valve



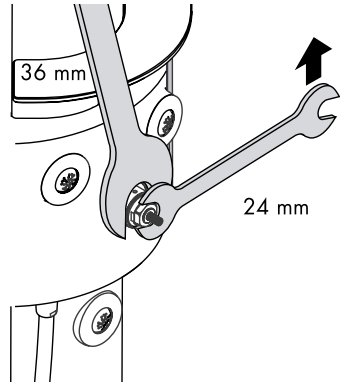
Clean the Thermostatic Cartridge Filters

A possible cause of lost pressure, especially if the pressure decreases as the temperature increases, is debris clogging the filter screens on the thermostatic cartridge. If this occurs, the screens should be cleaned.

Turn the water off at the main.

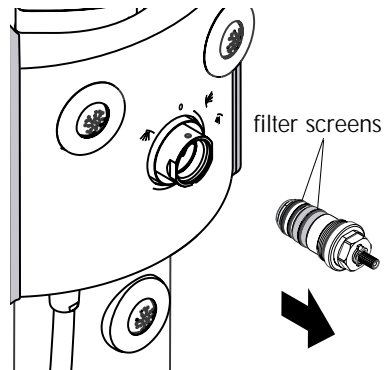
Remove the handle.

Hold the thermoelement steady with a 36 mm wrench. Use a 24 mm wrench to unscrew the thermostat cartridge from the thermoelement.

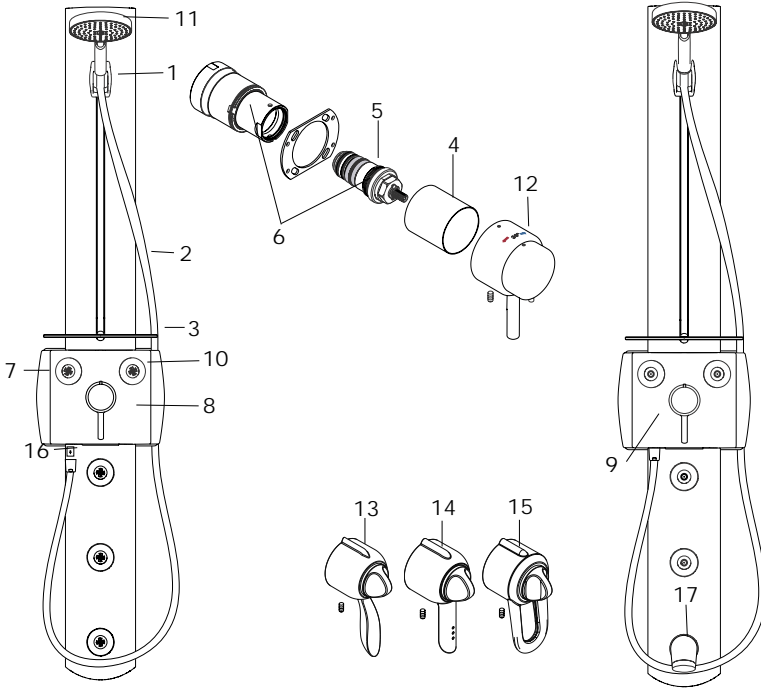


Clean the filter screens under running water. An old toothbrush may be used if care is taken not to damage the filter screens.

Reinstall the thermostat cartridge.



Replacement Parts



1	slider	97024000
2	hose	28276XXX
3	shelf	25969000
4	sleeve	88520XXX
5	thermostat cartridge	94282000
6	thermoelement, panel I	88533000
	thermoelement, panel II	88500000
7	side cover	25974880
8	valve cover, panel I	25976880
9	valve cover, panel II	25985880
10	escutcheon	25981XXX
11	handshower	
	Solaris	28518XX1
	Stratos	28507XX1
	Metro, Interaktiv S	28502XX1
12	handle - Interaktiv S	88549XXX
13	handle - Solaris	88530XXX
14	handle - Stratos	88547XXX
15	handle - Metro	88548XXX
16	check valve	94074000
17	tub spout (panel II only)	88584XXX
	hardware kit	25977000
	hose connection elbow	25978000

XXX = finish
 000 = chrome
 820 = brushed nickel

Cleaning Recommendation for Hansgrohe Products

Modern sanitary faucetry and shower fixtures consist of very different materials to comply with the needs of the market with regard to design and functionality.

To avoid damage and returns, it is necessary to consider certain points when cleaning:

Cleaning materials for faucets and shower products:

Acids are necessary ingredients of cleaning materials for removing lime. However, please pay attention to the following points when cleaning faucets and shower products:

- Use only cleaning materials intended for the application.
- Never use cleaning materials which contain hydrochloric, formic, or phosphoric, or acetic acid, as these can cause considerable damage.
- Do not mix one cleaning material with another.
- Do not use abrasives, such as cleaning powders, sponge pads, or microfiber cloths.

Cleaning Instructions for Faucets and Shower Products:

Please follow the cleaning material manufacturer's instructions. In addition, please note the following:

- Clean your faucets and shower products as and when required.
- Follow the label instructions. Do not allow any cleaner to remain on the product for longer than necessary.
- Regular cleaning will prevent scale buildup and water spotting.
- When using spray cleaners, spray first onto a sponge or cloth. Do not spray directly onto the faucet or shower product as drops could enter openings or gaps and cause damage.
- After cleaning, rinse thoroughly with clear water to remove any cleaner residue.

Important

Residues of liquid soaps, shampoos, and shower foams can also cause damage, so rinse with clean water after using.

Please note:

- If the surface is already damaged, the effect of cleaning materials will cause further damage.
- Components with damaged surfaces must be replaced, otherwise, this could cause injury.
- Damage caused by improper treatment will not be covered by our warranty.

Limited Lifetime Consumer Warranty

This product has been manufactured and tested to the highest quality standards by Hansgrohe, Inc. ("Hansgrohe"). This warranty is limited to Hansgrohe products which are purchased by a consumer in the United States after March 1, 1996, and installed in either the United States or Canada.

WHO IS COVERED BY THE WARRANTY

This warranty extends to the original consumer purchaser only.

WHAT IS COVERED BY THE WARRANTY

This warranty covers only your Hansgrohe manufactured product. Hansgrohe warrants this product against defects in material or workmanship as follows: Hansgrohe will repair at no charge for parts only or, at its option, replace any product or part of the product which proves defective because of improper workmanship and/or material, under normal installation, use, service and maintenance. If Hansgrohe is unable to provide a replacement and repair is not practical or cannot be timely made, Hansgrohe may elect to refund the purchase price in exchange for the return of the product.

LENGTH OF WARRANTY

Replacement or repaired parts of products will be covered for the term of this warranty as stated in the following two sentences. If you are a consumer who purchased the product for use primarily for personal, family, or household purposes, this warranty extends for as long as you own the product and the home in which the product is installed. If you purchased the product for use primarily for any other purpose, including, without limitation, a commercial purpose, this warranty extends only (i) for 1

year, with respect to Interaktiv and Retroaktiv products, and (ii) for 5 years, with respect to AXOR, ShowerPower and Pharo products.

THIS WARRANTY DOES NOT COVER, AND HANSGROHE WILL NOT PAY FOR:

- A. Conditions, malfunctions or damage not resulting from defects in material or workmanship.
- B. Conditions, malfunctions or damage resulting from (1) improper installation, improper maintenance, misuse, abuse, negligence, accident or alteration, or (2) the use of abrasive or caustic cleaning agents or "no rinse" cleaning products, or the use of the product in any manner contrary to the product instructions.
- C. Labor or other expenses for the disconnection or return of the product for warranty service, or for installation or reinstallation of the product.
- D. Accessories or related products not manufactured by Hansgrohe.

TO OBTAIN WARRANTY SERVICE

Contact your Hansgrohe retailer, or write to Technical Service at:

Hansgrohe Inc.
1492 Bluegrass Lakes Parkway
Alpharetta GA 30004

Or, call Hansgrohe toll-free at (800) 334-0455.

In requesting warranty service, you will need to provide

- 1. The sales receipt or other evidence of the date and place of purchase.
- 2. A description of the problem.
- 3. Delivery of the product or the defective part, postage prepaid and carefully packed and insured, to Hansgrohe Inc. 1492 Bluegrass Lakes Parkway, Alpharetta, Georgia 30004, Attention: Technical Service, if required by Hansgrohe.

When warranty service is completed, any repaired or replacement product or part will be returned to you postage prepaid.

EXCLUSIONS AND LIMITATIONS

REPAIR OR REPLACEMENT (OR, IN LIMITED CIRCUMSTANCES, REFUND OF THE PURCHASE PRICE) AS PROVIDED UNDER THIS WARRANTY IS THE EXCLUSIVE REMEDY OF THE PURCHASER. HANSGROHE NEITHER ASSUMES NOR AUTHORIZES ANY PERSON TO CREATE FOR IT ANY OBLIGATION OR LIABILITY IN CONNECTION WITH THIS PRODUCT.

HANSGROHE SHALL NOT BE LIABLE TO PURCHASER OR ANY PERSON FOR ANY INCIDENTAL, SPECIAL, OR CONSEQUENTIAL DAMAGES, ARISING OUT OF BREACH OF THIS WARRANTY OR ANY IMPLIED WARRANTY (INCLUDING MERCHANTABILITY).

Some States do not allow the exclusion or limitation of incidental or consequential damages, so the above limitation or exclusion may not apply to you.

This warranty gives you specific legal rights, and you may have other rights which vary from State to State.

You may be required by law to give us a reasonable opportunity to correct or cure any failure to comply before you can bring any action in court against us under the Magnuson-Moss Warranty Act.

PRODUCT INSTRUCTIONS AND QUESTIONS

Upon purchase or prior to installation, please carefully inspect your Hansgrohe product for any damage or visible defect. Prior to installing, always carefully study the enclosed instructions on the proper installation and the care and maintenance of the product. If you have questions at any time about the use, installation, or performance of your Hansgrohe product, or this warranty, please call or write to us at the toll-free number and address printed above.

hansgrohe

Hansgrohe, Inc. • 1490 Bluegrass Lakes Parkway • Alpharetta, GA 30004
Tel. 770 360-9880 • Fax 770 360 9887

www.hansgrohe-USA.com

Free Manuals Download Website

<http://myh66.com>

<http://usermanuals.us>

<http://www.somanuals.com>

<http://www.4manuals.cc>

<http://www.manual-lib.com>

<http://www.404manual.com>

<http://www.luxmanual.com>

<http://aubethermostatmanual.com>

Golf course search by state

<http://golfingnear.com>

Email search by domain

<http://emailbydomain.com>

Auto manuals search

<http://auto.somanuals.com>

TV manuals search

<http://tv.somanuals.com>