

BILLY GOAT GRAZER
Owner's Manual
GZ401H & GZ451S
Accessories

8" HEAVY DUTY REPLACEMENT BRUSH	DRIVE BELT	ENGINE PULLEY	BRUSH DRIVE PULLEY
<i>OEM quality replacement wire brush.</i>	<i>Original Equipment Belt for replacement.</i>	<i>Original Equipment Pulley for replacement.</i>	<i>Original Equipment Pulley for replacement.</i>
P/N 600172	P/N 610420	P/N 610417	P/N 610403



ABOUT THIS MANUAL

THANK YOU for purchasing a BILLY GOAT® *Grazer*. Your new machine has been carefully designed and manufactured to provide years of reliable and productive service. This manual provides complete operating and maintenance instructions that will help to maintain your machine in top running order. Read this manual carefully before assembling, operating, or servicing your equipment.

CONTENTS

SERIAL PLATE DATA AND SPECIFICATIONS _____	3
GENERAL SAFETY _____	4-5
INSTRUCTION LABELS _____	6
PACKING CHECKLIST & ASSEMBLY _____	7
OPERATION _____	8-9
MAINTENANCE _____	10
TROUBLESHOOTING AND WARRANTY PROCEDURE _____	11
ILLUSTRATED PARTS & PARTS LISTS _____	12-13
MAINTENANCE RECORD _____	14



SERIAL PLATE DATA

Record the model number, serial number, date of purchase, and where purchased.

Purchase Date: _____

Purchased From: _____

Specifications

	GZ401H	GZ451S
Engine: HP	4.0 (2.98 kW)	4.5 (3.36 kW)
Engine: Model	GX120T1QA2	EX130D50031
Engine: Type	HONDA OHV	SUBARU OHV
Engine: Fuel Capacity	2.1 qt. (2.0 L)	3.0 qt (2.9 L)
Engine: Oil Capacity	0.63 qt. (0.6 L)	0.63 qt. (0.6 L)
Total Unit Weight:	84# (38.1 Kg)	85# (38.5 kg)
Max. operating slope	20°	20°

GENERAL SAFETY INSTRUCTIONS and SYMBOLS

The safety symbols shown below are used throughout this manual. You should become familiar with them before assembling, operating, or servicing this equipment.



WARNING: This symbol indicates important information that will prevent injury to yourself or others.



This symbol indicates ear protection is recommended when operating this equipment.



This symbol indicates eye protection is recommended when operating this equipment.



This symbol indicates gloves should be worn when servicing this equipment.



This symbol indicates that this manual and the engine manufacturer's manual should be read carefully before assembling, operation, or servicing this equipment.



CAUTION: This symbol indicates important information that will prevent damage to your BILLY GOAT® Grazor.



This symbol indicates the engine oil level should be checked before operating this equipment.

Read and make sure you thoroughly understand the following safety precautions before assembling, operating or servicing this equipment:



READ this manual and the engine manufacturer's manual carefully before assembling, operating, or servicing this equipment.



EAR PROTECTION is recommended when operating this equipment.



EYE PROTECTION is recommended when operating this equipment.



BREATHING PROTECTION is recommended when operating this equipment.



WARNING: **EXHAUST** from this product contains chemicals known to the State of California to cause cancer, birth defects or other reproductive harm.

DO NOT operate this equipment on any unimproved forested, brushy, or grass covered land unless a spark arrester is installed on the muffler as required by Section 4442 of the California Public Resources Code. The arrester must be maintained in good working order. Other states may have similar laws. Federal laws apply on federal lands.

DO NOT run engine in an enclosed area. Exhaust gases contain carbon monoxide, an odorless and possibly fatal poison.



GZ Owner's Manual



WARNING:

- DO NOT** run this equipment indoors or in any poorly ventilated area. Refueling outdoors is recommended.
 - DO NOT** refuel this equipment while the engine is running. Allow engine to cool for at least two minutes before refueling.
 - DO NOT** store gasoline near an open flame.
 - DO NOT** remove gas cap while engine is running.
 - DO NOT** start or operate engine if strong odor of gasoline is present.
 - DO NOT** start or operate engine if gasoline is spilled. Move equipment away from spill until gasoline has completely evaporated.
 - DO NOT** smoke while filling the fuel tank.
 - DO NOT** check for spark with spark plug or spark plug wire removed. Use an approved spark tester.
 - DO NOT** operate engine without a muffler. Inspect muffler periodically and replace if necessary. If equipped with muffler deflector, inspect deflector periodically and replace if necessary.
 - DO NOT** operate engine with grass, leaves or other combustible material near the muffler.
 - DO NOT** touch muffler, cylinder, or cooling fins when hot. Contact with hot surfaces may cause severe burns.
 - DO NOT** leave equipment unattended while in operation.
 - DO NOT** park equipment on a steep grade or slope.
 - DO NOT** operate equipment with bystanders in or near the work area.
 - DO NOT** allow children to operate this equipment.
 - DO NOT** operate equipment with guards removed.
 - DO NOT** operate equipment near hot or burning debris or any toxic or explosive materials.
 - DO NOT** operate equipment on slopes greater than specified in Specifications section of this manual.
 - DO NOT** operate barefoot or wearing open sandals. Always wear substantial footwear
 - DO NOT** place hands or feet underneath unit, or near any moving parts.
 - DO NOT** operate the machine while under the influence of alcohol or drugs.
 - DO NOT** brush excessively steep slopes.
 - DO NOT** change the engine governor setting or overspeed the engine.
- ALWAYS** Stop the brush when crossing gravel drives, walks, or roads.
- ALWAYS** Shut the engine (motor) off and wait until the brush comes to complete stop before performing maintenance.
- ALWAYS** Use equipment only in daylight or good artificial light.
- ALWAYS** wear safety goggles or safety glasses with side shields
- ALWAYS** remove spark plug wire when servicing equipment to prevent accidental starting.
- ALWAYS** check fuel lines and fittings frequently for cracks or leaks. Replace if necessary.
- ALWAYS** store fuel in approved safety containers.



WARNING: Important

Remove all rocks, wire, string, etc. that can present a hazard during work prior to starting.



DO identify and mark all fixed objects to be avoided during work such as sprinkler heads, water valves, limbs, or clothes line anchors, etc.

INTENDED USE

INTENDED USE: This machine is designed for cleaning and removing vegetation and debris from cracks in asphalt pavement.
Do not operate if excessive vibration occurs. If excessive vibration occurs, shut engine off immediately and check for damaged or worn brush, loose hardware, loose engine or lodged foreign objects. (See trouble shooting section on page 11).

INSTRUCTION LABELS

The labels shown below were installed on your BILLY GOAT® Grazer. If any labels are damaged or missing, replace them before operating this equipment. Item numbers from the Illustrated Parts List and part numbers are provided for convenience in ordering replacement labels. The correct position for each label may be determined by referring to the Figure and Item numbers shown.



LABEL WARNING GUARDS
ITEM #59 P/N 900327



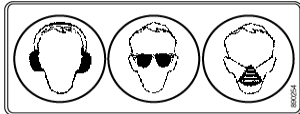
LABEL EXPLOSIVE FUEL
ITEM # 2 P/N 400268



DANGER FLYING DEBRIS
ITEM #66 P/N 810736



LABEL READ MANUAL
ITEM #58 P/N 890301



LABEL EAR EYE BREATHING
ITEM #57 P/N 890254



LABEL EXPLOSIVE FUEL
ITEM # 63 P/N 610107
(Honda only)

LABEL DANGER
ITEM #5 P/N 600117



ENGINE LABELS

SUBARU

IMPORTANT ENGINE INFORMATION EM
ENGINE FAMILY - 2FJXS, 1691GA DISPLACEMENT 169CM3
REFER TO OWNER'S MANUAL FOR MAINTENANCE SPECIFICATIONS AND ADJUSTMENTS. THIS ENGINE CONFORMS TO U.S. EPA PH1 AND 2002 CALIFORNIA EMISSION REGULATIONS FOR SMALL OFF-ROAD ENGINES.
FUJI HEAVY INDUSTRIES LTD.

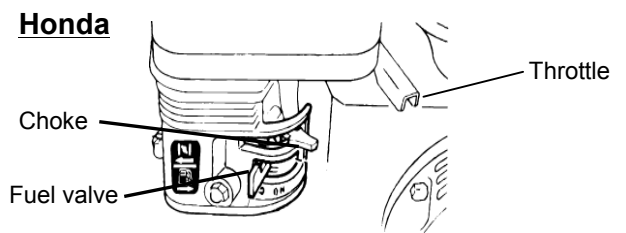
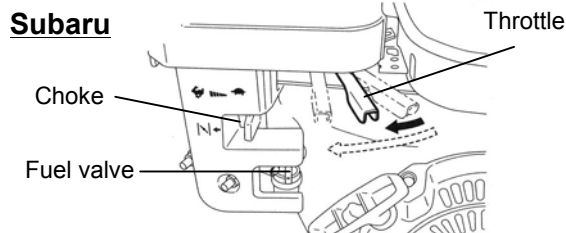
HONDA

■ READ OWNER'S MANUAL BEFORE OPERATION.
■ LIRE LE MANUEL D UTILISATEUR AVANT USAGE.
■ VOR INBETRIEBNAHME UNBEDINGT BETRIEBUNGSANLEITUNG DURCHLESEN.
■ NO UTILIZAR SINANTES NO HABER LEIDO EL MANUAL.

HONDA MOTOR CO., LTD. MADE IN JAPAN



THROTTLE CONTROLS



PACKING CHECKLIST

Your Billy Goat is shipped from the factory in one carton, completely assembled except for the upper handle assembly, lower handles, handle brace, brush lift rod, and brush.



READ all safety instructions before assembling unit.
TAKE CAUTION when removing the unit from the box.



PUT OIL IN ENGINE BEFORE STARTING

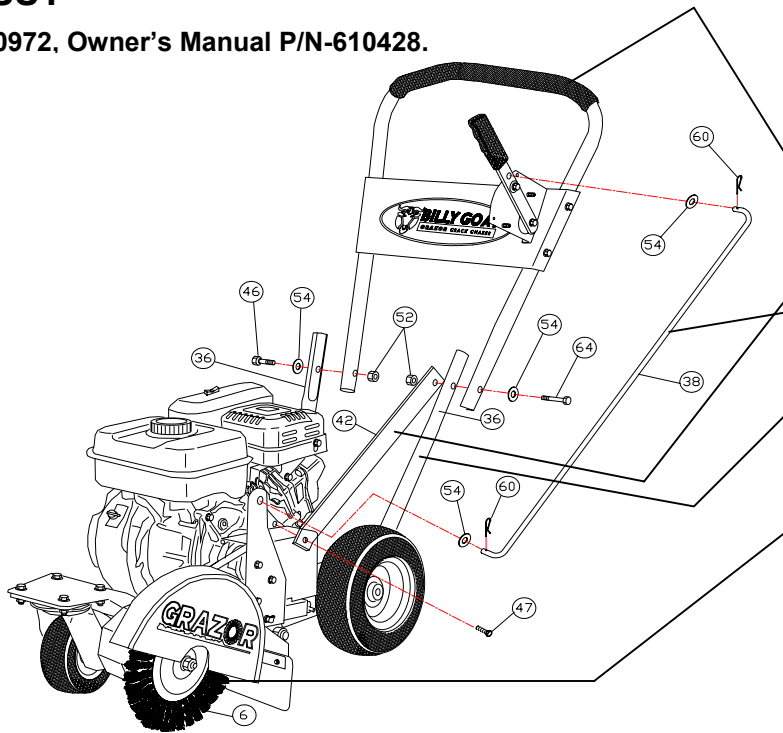
PARTS BAG & LITERATURE ASSY

Warranty card P/N- 400972, Owner's Manual P/N-610428.

Parts Bag Checklist

Safety Glasses 610129 qty. 1

12



Boxing Parts Checklist

Handle upper assembly 610438

Handle Brace 610442

Brush Lift Rod 610426

Handle Lower RH 610423

Handle Lower LH 610424

Brush 8" Wire 600172

Owner's Manual GZ 610428

Engine Manual Per Model

Honda 4.0 HP


Subaru 4.5 HP

ASSEMBLY

All required assembly can be done using two 1/2" combination wrenches.

1. Install the lower handles one on each side of the unit using bolt (Item 45), washer (Item 54) and nut (Item 52). There are two bolts per lower handle section. NOTE: The lower handle has a left and right hand section. Be sure when installing that each section will point to the outside of the unit when hardware is secured.
2. Install upper handle assembly by aligning the holes in the upper handle with the holes in the lower handle stubs that are preassembled on the machine. Secure the handles together using bolt (Item 46), washer (Item 54), and nut (Item 52) on the operator's right hand side. Secure using bolt (Item 64), washer (Item 54), and nut (Item 52) on the operator's left hand side. Use the same hardware to secure the flat end of the handle brace (Item 42) to the left side of the handle.
3. Secure the bent end of the handle brace (Item 42) to the face of the engine using bolt (Item 47)
4. Install the Brush Lift Rod (Item 38) by placing one end through the hole in the lift control arm mounted on the upper handle and securing it with a washer (Item 54) and pin (Item 60). Place the other end through the brush pivot arm and secure in the same way. **NOTE:** The pin and washer come pre-installed in the ends of the rod (Item 38). Remove and re-use them for final assembly.
5. Install Brush (Item 6) by removing the Brush Guard (Item 27) and removing the brush mounting Nut (Item 15) and one Washer (Item 16). Slide the brush on the shaft and reinstall the washer, nut, and brush guard.

OPERATION


 Like all mechanical tools, reasonable care must be used when operating machine.

Inspect machine work area and machine before operating. Make sure that all operators of this equipment are trained in general machine use and safety.

PUT OIL IN ENGINE BEFORE STARTING

Do not operate if excessive vibration occurs. If excessive vibration occurs, shut engine off immediately and check for damaged or worn brush, loose hardware, loose engine or lodged foreign objects. (See trouble shooting section on page 12).

STARTING

 **ENGINE:** See engine manufacturer's instructions for type and amount of oil and gasoline used. Engine must be level when checking and filling oil and gasoline.

FUEL VALVE: Move fuel valve to "ON" position

STOP SWITCH: Located on the engine. "ON" position.


CHOKE: Operated with choke lever on the face of engine.



THROTTLE: Controlled by the throttle lever located on the face of the engine.

IF YOUR UNIT FAILS TO START:

See Troubleshooting on page 11.

HANDLING & TRANSPORTING:

 Using two people to lift machine is recommended. Lift holding the handle and front of the frame. Secure unit in place during transport. Be sure the brush arm is in the up position and locked in place during transport.

  Never lift the machine while the engine is running.

OPERATION

1. Do not operate product when barefoot or wearing open sandals. Always wear safety footwear, pants or slacks that cover your legs.
2. DO NOT use product on graveled surfaces.
3. Never operate this product without good visibility or light.
4. Start the engine carefully. Make certain the brush is raised in the store position, and that the engine stop switch is set to "on" before attempting to start. Keep hands, feet, clothing and the like well away from cutting member and other moving parts.
5. Never attempt to make any adjustments while engine is running.
6. Never direct discharge of material toward bystanders nor allow anyone near the area of operation. Use care in directing discharge to avoid glass enclosures, automobiles and the like.
7. Stay alert for uneven pavement, holes in terrain or other unstable conditions when using this product. Always push the machine slowly over rough surfaces.
8. Objects struck by the brush can cause injuries. The surface should always be carefully examined and cleared of all foreign objects prior to operation. See brush safety instructions, page 9.
9. Move brush lever to store position when the product is not in use. Take all possible precautions when leaving the machine unattended. Disengage attachments and stop the engine.
10. When cleaning, repairing, or inspecting, make certain the brush and all moving parts have stopped, and the engine is not running. Disconnect the spark plug wire and keep the wire away from the plug so that unintentional starting does not occur. Keep all guards free from debris build-up.
11. Never operate this product without guards, plates or other protective devices in place.
12. Use only accessories and attachments supplied, or specifically recommended by the manufacturer.
13. Do not operate this product with a damaged or excessively worn brush.
14. **CAUTION:** Operate this product from a position where guards block the line of sight to the brush.



OPERATING HINTS:

A side-to-side sweeping motion is the quickest way to remove surface vegetation from crevices, even if deeper crevice cleaning is desired.

After removing surface vegetation, the crevice will be more visible for a deeper cleaning.

Power Brush Safety Requirements

Warning – In normal power brushing operations, the material being removed such as burrs, scale, dirt, weld slat, or other residue, will fly off the brush with considerable force along with brush filaments, which break off due to fatigue. The **Potential of Serious Injury Exists** for both the brush operator and others in the work area (possible 50 or more feet from the brush). To protect against this hazard, wear **Safety Goggles** or **Full Face Shields Worn Over Safety Glasses With Side Shields**, along with **Protective Clothing**. You must follow all operator and safety instructions, as well as all common safety practices, which reduce the likelihood of physical injury, or reduce its severity.

Summary – Power Brush Safety Requirements

Safety Goggles – Safety goggles or full face shields worn over safety glasses with side shields **Must Be Worn by all Operators and Others in the Area of Power Brush Operations**.

Guards – Keep all machine guards in place.

Speeds – Observe all speed restrictions indicated on brushes, containers, labels or printed in pertinent literature.

“MSFS” means Maximum Safe Free Speed (RPM) – spinning free with no work applied. For reasons of safety, “MSFS” should not be exceeded under any circumstances.

Protective Equipment – Appropriate protective clothing and equipment must be used where there is a possibility of injury that can be prevented by such clothing or equipment.

Warning! Failure To Observe Safety Precautions May Result In Injury.

Brush usage Recommendations

Pressure – Avoid excessive pressure when using a power brush. Excessive pressure causes over-bending of the filaments and heat build-up resulting in filament breakage, rapid dulling and reduced brush life. Instead of greater pressure on a brush, it is suggested that you try: 1) a brush with a more aggressive cutting action (increased wire size, decreased filament length, change to a different brush type, i.e., knot type instead of crimped wire type), or 2) higher speed (increased R.P.M., increased brush diameter.)

Important Note: Never exceed the recommended Maximum Safe Free Speed R.P.M. (MSFS) rating of the brush.

SAFETY FIRST

FAILURE TO OBSERVE ANY OF THE REQUIREMENTS SHOWN IN THE SAFETY SECTION WILL CREATE HAZARDS AND CAN CAUSE INJURY.

Brushing Problems – Do Not Allow unsafe Conditions To Continue. Occasionally, due to worn bearings, a bent spindle, an unusual application, operator abuse, or inappropriate use, a brush may fail.

A brush which is not received in acceptable condition for trouble-free operation may also fail. Do not use or continue to use a failed brush or one which is functioning improperly (i.e., throwing filaments, out-of-balance, etc.) as this increases the possibility for further brush failure and hazard of injury. The cause of the failure should be evaluated and corrected.

This information is based on the collective experience of the ABMA Industrial Division members and provided solely as a public service for the guidance of the users of the members' products. These recommendations are not necessarily complete with respect to any particular application and common sense safety considerations should be adhered to generally. Any applicable federal, state, local law or regulation must be strictly adhered to, and is controlling over any recommendation contained herein.

SAFETY INSTRUCTIONS

TWISTED-IN-WIRE BRUSHES

The Twisted-In-Wire brushes, used under power, shall be securely held in a collet, chuck or similar holding device.



MAINTENANCE

PERIODIC MAINTENANCE

Periodic maintenance should be performed at the following intervals:

Maintenance Operation	Every Use (daily)	Every 5 hrs or (daily)	Every 25 Hours
Inspect for loose, worn or damaged parts.		•	
Check for excessive vibration.	•		
Inspect belt for wear.			•
Engine (See Engine Manual)			
Lubricate front wheels and rear wheels.			•
Grease brush arm mechanism.			•

CHANGING BRUSH

1. Wait for engine to cool and disconnect spark plug.
2. Remove the brush guard (item 27) by removing the two screws (item 45) that secure it in place. Use gloves and a shop rag to hold the brush and prevent it from rotating.
3. Using a 3/4" wrench remove brush nut (item 15), and slide brush washer (item 16) off the bearing shaft.
4. Slide the brush (item 6) sideways off of the bearing shaft.
5. Install new brush over the shaft. NOTE: Be sure that to use the nylon bushing that comes with the Billy Goat replacement brush to insure proper fit between the brush and the shaft.
6. Replace the brush washer (item 16), and the brush nut (item 15). Use a 3/4" wrench to torque the nut to 45 ft.lbs to secure the brush in place. Be sure to wear gloves and use a shop rag to hold the brush while tightening. Reinstall the brush guard that was removed in step 2.

CHANGING BELT

1. Wait for engine to cool and disconnect spark plug.
 2. Using two 1/2" wrenches, remove the bolt (item 45) and nut (item 52), one on each side, that secures the brush guard (item 27) and the front pulley guard (item 31). Set the two guards aside.
 3. Using a 3/8" wrench, remove the three bolts (item 4) that secure the rear pulley guard in place. Set the guard aside.
 4. Slide the belt off the engine pulley and over the end of the crankshaft, and discard the old belt.
 5. Install the new belt in the reverse order of removal.
 6. Replace the guards and secure in place with using the hardware you removed.
- NOTE: Use only factory original belts for maximum service life. BGI #610420 Inspect the pulleys when replacing the belt and replace if worn or damaged.

CHANGING PULLEYS

- NOTE: Pulleys should be replaced in pairs and not individually to obtain the maximum service life from you unit.
1. Wait for engine to cool and disconnect spark plug.
 2. Remove the belt by following the Belt Replacement procedure on the preceding page.
 3. Using a 5/32" allen wrench loosen the set screws, two per pulley that secure the pulleys in place.
 4. Slide the pulleys off the shafts and slide the new pulleys in place.
 5. Use a long straight edge to align the pulleys before tightening the setscrews in place.
 6. Torque the setscrews to 15 ft.lbs to secure them.
 7. Replace the belt and all guard by referring to the Belt Replacement procedure on the preceding page.
- NOTE: Use only factory original pulleys as replacement parts. Inspect the belt when replacing the pulleys and replace if worn or damaged.

TIRE AIR PRESSURE

Check at regular intervals and maintain.
Rear Tires - 24 Psi (17 kPa).



Troubleshooting

Problem	Possible Cause	Solution
Engine will not start.	Stop switch of. Throttle in off position. Engine not in full choke position. Out of gasoline. Bad or old gasoline. Spark plug wire disconnected. Dirty air cleaner.	Check stop switches, throttle, choke position and gasoline. Connect spark plug wire. Clean or replace air cleaner. Or contact a qualified service person.
Abnormal vibration.	Loose or out of balance brush or loose engine.	Replace brush. Check engine hardware.
Brush Stalls	Worn belt or pulleys or both	Replace belt and or pulleys
Belt comes off	Pulleys not aligned. Bent belt guard	Align pulleys. Replace bent guards.
Engine is locked, will not pull over.	Engine Problem	Contact and engine servicing dealer for engine problems.

When servicing engine refer to specific manufacturers engine owner's manual. All engine warranty is covered by the specific engine manufacturer. If your engine requires warranty or other repair work contact your local servicing engine dealer. When contacting a dealer for service it is a good idea to have your engine model number available for reference (See table page 3). If you cannot locate a servicing dealer in your area you can contact the manufacturers national service organization.

To reach:

Subaru (Robin America): 800-277-6246 www.robinamerica.com

American Honda: 800-426-7701 www.honda-engines.com

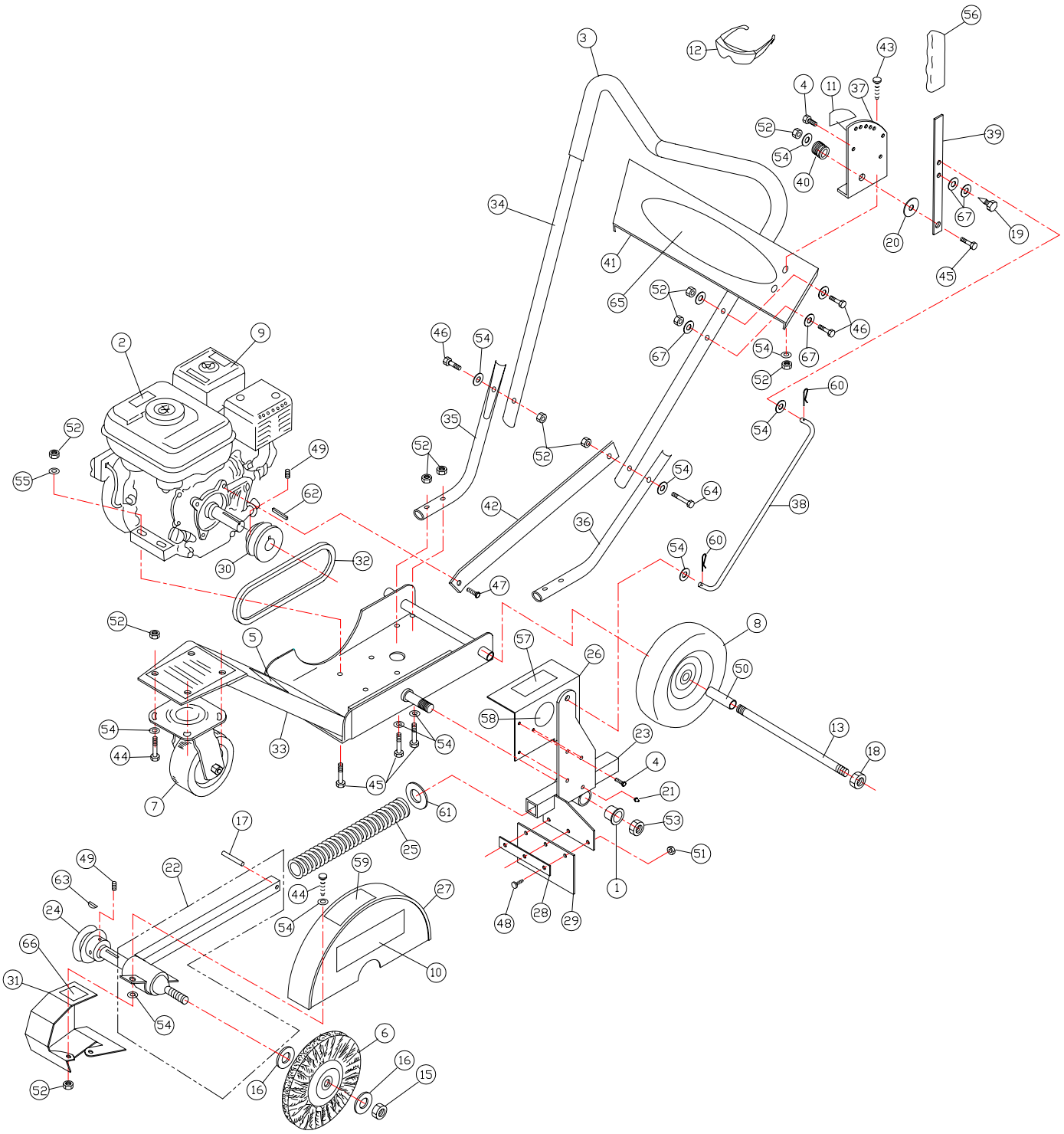
WARRANTY CLAIM PROCEDURE

Should a BILLY GOAT[®] machine fail due to a defect in material and/or workmanship, the owner should make a warranty claim as follows:

- The machine must be taken to the dealer from whom it was purchased or to an authorized Servicing BILLY GOAT Dealer.
- The owner must present the remaining half of the Warranty Registration Card, or, if this is not available, the invoice or receipt.
- The Warranty Claim will be completed by the authorized BILLY GOAT Dealer and submitted to their respective BILLY GOAT Distributor for their territory Attention: Service Manager. Any parts replaced under warranty must be tagged and retained for 90 days. The model number and serial number of the unit must be stated in the Warranty Claim.
- The distributor service manager will sign off on the claim and submit it to BILLY GOAT for consideration.
- The Technical Service Department at BILLY GOAT will study the claim and may request parts to be returned for examination. BILLY GOAT will notify their conclusions to the distributor service manager from whom the claim was received.
- The decision by the Technical Service Department at BILLY GOAT to approve or reject a Warranty Claim is final and binding.

For online product registration go to www.billygoat.com

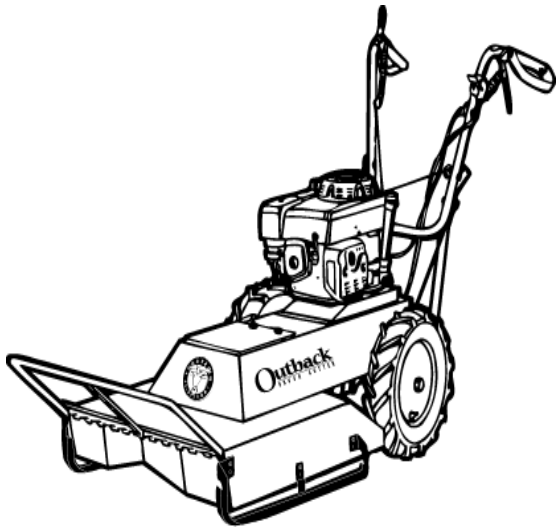
PARTS DRAWING GZ



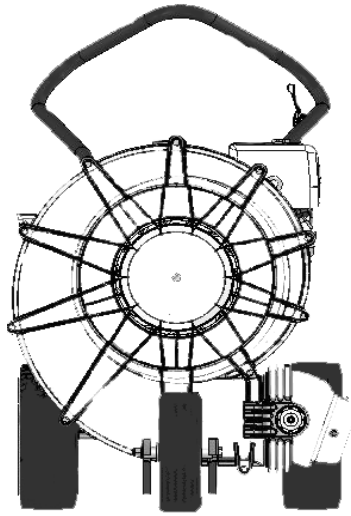


PARTS LIST

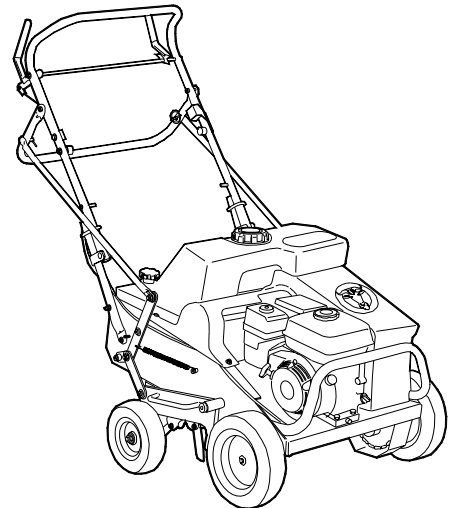
item no.	PARTS LIST	GZ401H Part No.	QTY	GZ451S Part No.	QTY
1	Bushing Pivot Frame	360183	2	360183	2
2	Label Hot Engine	400268	1	400268	1
3	Grip Handle 1" X 13"	400570	2	400570	2
4	Screw Self Tap 1/4-20 X 5/8 Type F	890359	5	890359	5
5	Label Danger	600117	1	600117	1
6	Brush 8" Wire Heavy Duty	600172	1	600172	1
7	Caster 5" Dia. X 2"	610101	1	610101	1
8	Wheel 8" x 2.25" w/ 0.625 Bearing	610375	2	610375	2
9	Engine 4.0 HP Honda GX120K1QA2	610105	1	-	-
	Engine 4.5 HP Subaru EX13	-	-	610437	1
10	Label Grazor	610106	1	610106	1
11	Label Height Adjust GZ	610113	1	610113	1
12	Glasses Safety	610129	1	610129	1
13	Axle Grazor	610131	1	610131	1
14					
15	Nut Jam 1/2-20 w/Lock	610305	1	610305	1
16	Washer 1/2" X 2"	610308-P	2	610308-P	2
17	Pin Roll 1/4" X 1 3/4"	610319	1	610319	1
18	Nut Lock 1/2-13 Thin Ht.	8161044	2	8161044	2
19	Pin Screw	610347	1	610347	1
20	Washer Fibre	610348	1	610348	1
21	Fitting Grease	610363	1	610363	1
22	Mandrel GZ W/ BEARING	610370	1	610370	1
23	Arm Pivot WA GZ	610402	1	610402	1
24	Pulley 3" OD X 5/8" Bore	610403	1	610403	1
25	Spring Brush Arm	610404	1	610404	1
26	Guard Rear Pulley	610405	1	610405	1
27	Guard Brush WA GZ	610406	1	610406	1
28	Plate Dirt Deflector	610413	1	610413	1
29	Flap Rubber Dirt Deflector	610414	1	610414	1
30	Pulley 3.25" OD X 3/4" Bore	610417	1	610417	1
31	Guard Belt Brush WA	610418	1	610418	1
32	Belt Gates #6831	610420	1	610420	1
33	Base Engine WA GZ	610421	1	610421	1
34	Handle Upper GZ	610422	1	610422	1
35	Handle Lower RH GZ	610423	1	610423	1
36	Handle Lower LH GZ	610424	1	610424	1
37	Plate Quad GZ	610425	1	610425	1
38	Rod Lift Arm GZ	610426	1	610426	1
39	Arm Lift GZ	610427	1	610427	1
40	Spring Lever GZ	610429	1	610429	1
41	Plate Height Adjust Mount	610431	1	610431	1
42	Brace Handle GZ	610442	1	610442	1
43	Screwcap 5/16-18 X 3/4"	8041026	2	8041026	2
44	Screwcap 5/16-18 X 1"	8041028	6	8041028	6
45	Screwcap 5/16-18 X 1 1/2"	8041030	9	8041030	9
46	Screwcap 5/16-18 X 1 3/4"	8041031	6	8041031	6
47	Screwcap 5/16-24 X 5/8"	8042026	1	8042026	1
48	Screwcap #10-24 X 5/8"	8059135	3	8059135	3
49	Screw Set 5/16-18 X 5/16"	8084106	4	8084106	4
50	Spacer 5/8" X 2 1/4"	350130	2	350130	2
51	Nut Lock #10-24 Lt. Hex	8164005	3	8164005	3
52	Nut Lock 5/16-18	8160002	28	8160002	28
53	Nut Lock 5/8-11	8160007	1	8160007	1
54	Washer 5/16" Flat	8171003	23	8171003	23
55	Washer 5/16" SAE	8172008	4	8172008	4
56	Grip Lever Lift	850191	1	850191	1
57	Label Ear Eye Breathing	890254	1	890254	1
58	Label Read Manual	890301	1	890301	1
59	Label Danger	900327	1	900327	1
60	Pin Hair 1/4"	900471	2	900471	2
61	Washer Flat 1.75 OD X 1.06 ID X 0.100	9172021	1	9172021	1
62	Key 3/16" X 1"	9201078	1	9201078	1
63	Key Woodruff 3/16 X 3/4	850234	1	850234	1
64	Screwcap 5/16-18 X 2"	8041032	1	8041032	1
65	Label GZ decal	610144	1	610144	1
66	Label Danger Flying Debris	810736	1	810736	1
67	Washer 1/4 Flat ZP	8171002	10	8171002	10



BRUSH CUTTER

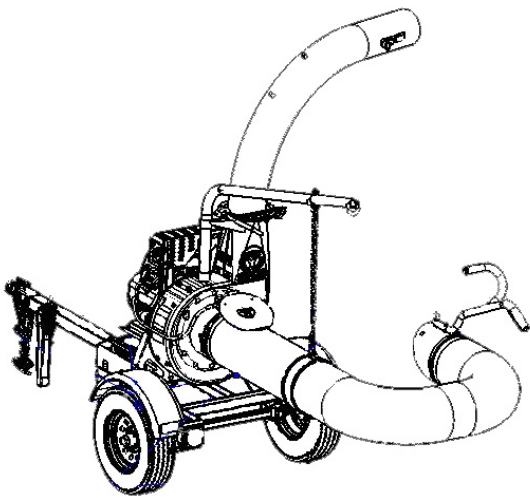


FORCE BLOWER

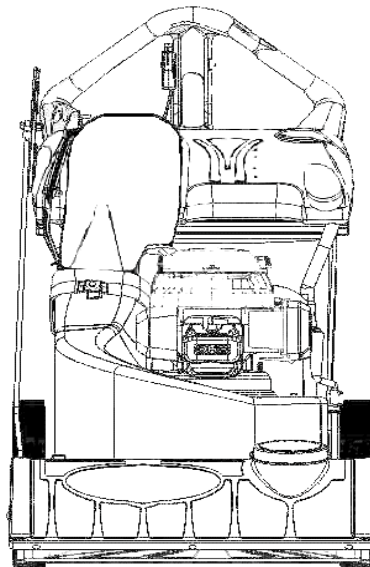


AERATOR

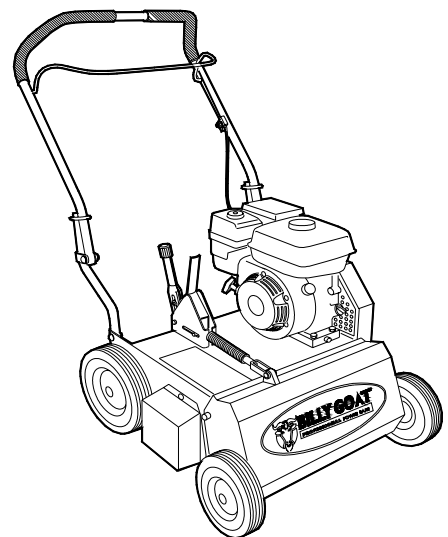
If you liked this product please feel free to view our full line of quality lawn care, renovation, and debris removal products at www.billygoat.com



DL VACUUM



MULTI VACUUM



POWER RAKE



Free Manuals Download Website

<http://myh66.com>

<http://usermanuals.us>

<http://www.somanuals.com>

<http://www.4manuals.cc>

<http://www.manual-lib.com>

<http://www.404manual.com>

<http://www.luxmanual.com>

<http://aubethermostatmanual.com>

Golf course search by state

<http://golfingnear.com>

Email search by domain

<http://emailbydomain.com>

Auto manuals search

<http://auto.somanuals.com>

TV manuals search

<http://tv.somanuals.com>