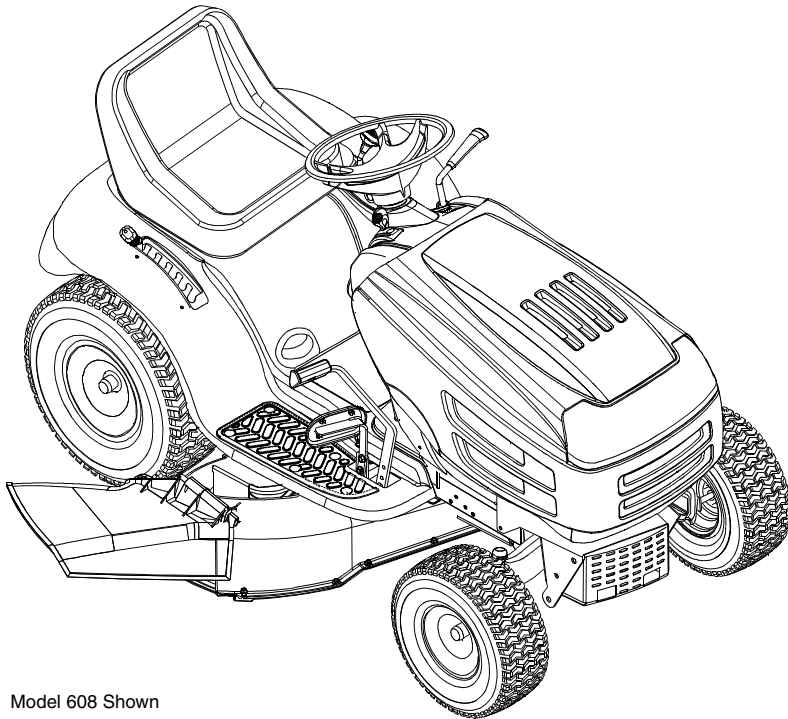




OPERATOR'S MANUAL

Automatic Lawn Tractor
Models 607
608
609



Model 608 Shown

IMPORTANT: READ SAFETY RULES AND INSTRUCTIONS CAREFULLY

Warning: This unit is equipped with an internal combustion engine and should not be used on or near any unimproved forest-covered, brush-covered or grass-covered land unless the engine's exhaust system is equipped with a spark arrester meeting applicable local or state laws (if any). If a spark arrester is used, it should be maintained in effective working order by the operator. In the State of California the above is required by law (Section 4442 of the California Public Resources Code). Other states may have similar laws. Federal laws apply on federal lands. A spark arrester for the muffler is available through your nearest engine authorized dealer or contact the service department, P.O. Box 368022 Cleveland, Ohio 44136-9722.

MTD PRODUCTS, INC P.O. BOX 368022 CLEVELAND, OHIO 44136-9722

PRINTED IN U.S.A.

FORM NO. 770-10131A
(10/99)

SECTION 1: TABLE OF CONTENTS

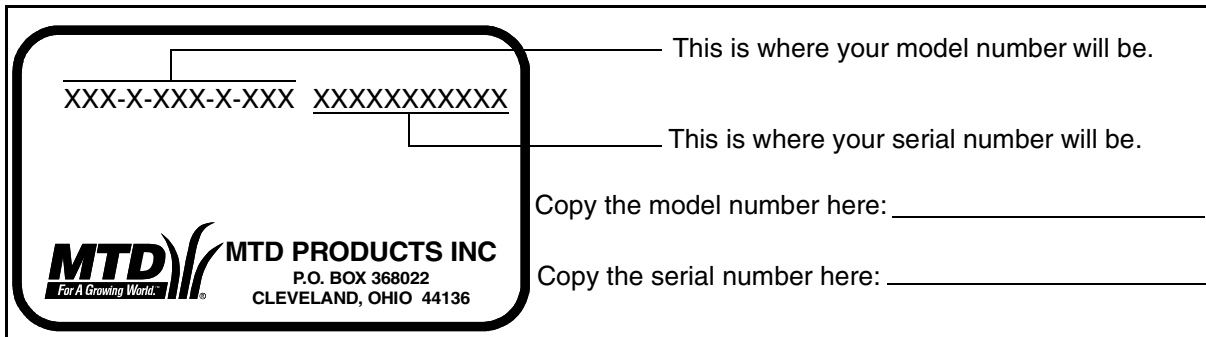
	PAGE
FINDING YOUR MODEL NUMBER	2
CALLING CUSTOMER SUPPORT	2
IMPORTANT SAFE OPERATION PRACTICES	3
SAFETY LABELS FOUND ON YOUR UNIT	5
SLOPE GAUGE	6
ATTACHMENTS & ACCESSORIES	7
TRACTOR SET-UP	7
CONTROLS	8
OPERATION	11
ADJUSTMENTS	13
MAINTENANCE	16
LUBRICATION	22
TROUBLESHOOTING GUIDE	23
PARTS LIST	24
WARRANTY INFORMATION	Back Cover

SECTION 2: FINDING YOUR MODEL NUMBER

This Operator's Manual is an important part of your new rider. It will help you assemble, prepare and maintain your rider. Please read and understand what it says.

Before you start to prepare your rider for its first use, please locate the model plate and copy the information from it in this Operator's Manual. The information on the model plate is very important if you need help from your dealer or the MTD customer support department.

- Every tractor has a model plate. You can locate it by lifting the seat and looking at the seat bracket.
- An example of what the model plate will look like is shown below.



SECTION 3: CALLING CUSTOMER SUPPORT

- **LOCATE YOUR MODEL NUMBER AND SERIAL NUMBER** — Record this information in the space provided. To find your unit's specific model number and serial number, see SECTION 2: FINDING YOUR MODEL NUMBER.
- If you are having difficulty assembling this product or if you have any questions regarding the controls, operation or maintenance of this unit, please call the Customer Support Department.
- Customer Support can be reached by dialing: **1- (330) 220-4MTD (4683)**
or
1- (800)-800-7310
- Please have your model number and serial number ready when you call.
- Although both numbers are important, you will be asked to enter only your **serial** number before your call can be processed.

SECTION 4: IMPORTANT SAFE OPERATION PRACTICES



WARNING: THIS SYMBOL POINTS OUT IMPORTANT SAFETY INSTRUCTIONS WHICH, IF NOT FOLLOWED, COULD ENDANGER THE PERSONAL SAFETY AND/OR PROPERTY OF YOURSELF AND OTHERS. READ AND FOLLOW ALL INSTRUCTIONS IN THIS MANUAL BEFORE ATTEMPTING TO OPERATE YOUR LAWN MOWER. FAILURE TO COMPLY WITH THESE INSTRUCTIONS MAY RESULT IN PERSONAL INJURY. WHEN YOU SEE THIS SYMBOL, HEED ITS WARNING.



WARNING: The Engine Exhaust from this product contains chemicals known to the State of California to cause cancer, birth defects or other reproductive harm.



DANGER: Your lawn mower was built to be operated according to the rules for safe operation in this manual. As with any type of power equipment, carelessness or error on the part of the operator can result in serious injury. This lawn mower is capable of amputating hands and feet and throwing objects. Failure to observe the following safety instructions could result in serious injury or death.

1. GENERAL OPERATION

- Read, understand, and follow all instructions in the operator's manual and on the machine before starting. Keep this manual in a safe place for future and regular reference and for ordering replacement parts.
- Only allow responsible individuals familiar with the instructions to operate the machine. Know controls and how to stop the machine quickly.
- Do not put hands or feet under cutting deck or near rotating parts.
- Clear the area of objects such as rocks, toys, wire, etc., which could be picked up and thrown by the blade. A small object may have been overlooked and could be accidentally thrown by the mower in any direction and cause injury to you or a bystander. To help avoid a thrown objects injury, keep children, bystanders and helpers at least 75 feet from the mower while it is in operation. Always wear safety glasses or safety goggles during operation or while performing an adjustment or repair, to protect eyes from foreign objects. Stop the blade(s) when crossing gravel drives, walks or roads.
- Be sure the area is clear of other people before mowing. Stop machine if anyone enters the area.
- Never carry passengers.
- Disengage blade(s) before shifting into reverse and backing up. Always look down and behind before and while backing.
- Be aware of the mower and attachment discharge direction and do not point it at anyone. Do not operate the mower without either the entire grass catcher or the chute guard in place.
- Slow down before turning. Operate the machine smoothly. Avoid erratic operation and excessive speed.
- Never leave a running machine unattended. Always turn off blade(s), place transmission in neutral, set park brake, stop engine and remove key before dismounting.
- Turn off blade(s) when not mowing.
- Stop engine and wait until blade(s) comes to a complete stop before (a) removing grass catcher or unclogging chute, or (b) making any repairs, adjusting or removing any grass or debris.
- Mow only in daylight or good artificial light.
- Do not operate the machine while under the influence of alcohol or drugs.
- Watch for traffic when operating near or crossing roadways.
- Use extra care when loading or unloading the machine into a trailer or truck. This unit should not be driven up or down a ramp onto a trailer or truck under power, because the unit could tip over, causing serious personal injury. The unit must be pushed manually on a ramp to load or unload properly.
- Never make a cutting height adjustment while engine is running if operator must dismount to do so.
- Wear sturdy, rough-soled work shoes and close-fitting slacks and shirts. Do not wear loose fitting clothes or jewelry. They can be caught in moving parts. Never operate a unit in bare feet, sandals, or sneakers.
- Check overhead clearance carefully before driving under power lines, wires, bridges or low hanging tree branches, before entering or leaving buildings, or in any other situation where the operator may be struck or pulled from the unit, which could result in serious injury.

- Disengage all attachment clutches, thoroughly depress the brake pedal, and shift into neutral before attempting to start engine.
- Your mower is designed to cut normal residential grass of a height no more than 10". Do not attempt to mow through unusually tall, dry grass (e.g., pasture) or piles of dry leaves. Debris may build up on the mower deck or contact the engine exhaust presenting a potential fire hazard.

2. SLOPE OPERATION

Slopes are a major factor related to loss of control and tip-over accidents which can result in severe injury or death. All slopes require extra caution. If you cannot back up the slope or if you feel uneasy on it, do not mow it.

For your safety, use the slope gauge included as part of this manual to measure slopes before operating this unit on a sloped or hilly area. If the slope is greater than 15° as shown on the slope gauge, do not operate this unit on that area or serious injury could result.

DO:

- Mow up and down slopes, not across.
- Remove obstacles such as rocks, limbs, etc.
- Watch for holes, ruts or bumps. Uneven terrain could overturn the machine. Tall grass can hide obstacles.
- Use slow speed. Always keep machine in gear when going down slopes to take advantage of engine braking action.
- Follow the manufacturer's recommendations for wheel weights or counterweights to improve stability.
- Use extra care with grass catchers or other attachments. These can change the stability of the machine.
- Keep all movement on the slopes slow and gradual. Do not make sudden changes in speed or direction. Rapid engagement or braking could cause the front of the machine to lift and rapidly flip over backwards which could cause serious injury.
- Avoid starting or stopping on a slope. If tires lose traction, disengage the blade(s) and proceed slowly straight down the slope.

DO NOT:

- Do not turn on slopes unless necessary; then, turn slowly and gradually downhill, if possible.
- Do not mow near drop-offs, ditches or embankments. The mower could suddenly turn over if a wheel is over the edge of a cliff or ditch, or if an edge caves in.
- Do not mow on wet grass. Reduced traction could cause sliding.
- Do not try to stabilize the machine by putting your foot on the ground.
- Do not use grass catcher on steep slopes.

3. CHILDREN

Tragic accidents can occur if the operator is not alert to the presence of children. Children are often attracted to the machine and the mowing activity. Never assume that children will remain where you last saw them.

- Keep children out of the mowing area and in watchful care of an adult other than the operator.
- Be alert and turn machine off if children enter the area.
- Before and when backing, look behind and down for small children.
- Never carry children, even with the blades off. They may fall off and be seriously injured or interfere with the safe machine operation.
- Never allow children under 14 years old to operate the machine. Children 14 years and over should only operate machine under close parental supervision and proper instruction.
- Remove key when machine is unattended to prevent unauthorized operation.
- Use extra care when approaching blind corners, shrubs, trees or other objects that may obscure your vision of a child or other hazard.

4. SERVICE

- Use extreme care in handling gasoline and other fuels. They are extremely flammable and the vapors are explosive.
- Use only an approved container.
- Never remove fuel cap or add fuel with the engine running. Allow engine to cool at least two minutes before refueling.
- Replace fuel cap securely and wipe off any spilled fuel before starting the engine as it may cause a fire or explosion.
- Extinguish all cigarettes, cigars, pipes and other sources of ignition.
- Never refuel the machine indoors because fuel vapors will accumulate in the area.
- Never store the fuel container or machine inside where there is an open flame or spark, such as a gas hot water heater, space heater or furnace.
- Never run a machine inside a closed area.
- To reduce fire hazard, keep the machine free of grass, leaves or other debris build-up. Clean up oil or fuel spillage. Allow machine to cool at least 5 minutes before storing.
- Before cleaning, repairing or inspecting, make certain the blade and all moving parts have stopped. Disconnect the spark plug wire, and keep the wire away from the spark plug to prevent accidental starting.
- Check the blade and engine mounting bolts at frequent intervals for proper tightness. Also, visually inspect blade for damage (e.g., excessive wear, bent, cracked). Replace with blade which meets original equipment specifications.

- Keep all nuts, bolts and screws tight to be sure the equipment is in safe working condition.
- Never tamper with safety devices. Check their proper operation regularly. Use all guards as instructed in this manual.
- After striking a foreign object, stop the engine, remove the wire from the spark plug and thoroughly inspect the mower for any damage. Repair the damage before restarting and operating the mower.
- Grass catcher components are subject to wear, damage and deterioration, which could expose moving parts or allow objects to be thrown. For your safety protection, frequently check components and replace with manufacturer's recommended parts when necessary.
- Mower blades are sharp and can cut. Wrap the blade(s) or wear gloves and use extra caution when servicing blade(s).
- Check brake operation frequently. Adjust and service as required.
- Muffler, engine and belt guards become hot during operation and can cause a burn. Allow to cool down before touching.
- Do not change the engine governor settings or overspeed the engine. Excessive engine speeds are dangerous.
- Observe proper disposal laws and regulations. Improper disposal of fluids and materials can harm the environment and the ecology.
- Prior to disposal, determine the proper method to dispose of waste from your local Environmental Protection Agency. Recycling centers are established to properly dispose of materials in an environmentally safe fashion.
- Use proper containers when draining fluids. Do not use food or beverage containers that may mislead someone into drinking from them. Properly dispose of the containers immediately following the draining of fluids.
- DO NOT pour oil or other fluids into the ground, down a drain or into a stream, pond, lake or other body of water. Observe Environmental Protection Agency regulations when disposing of oil, fuel, coolant, brake fluid, filters, batteries, tires and other harmful waste.



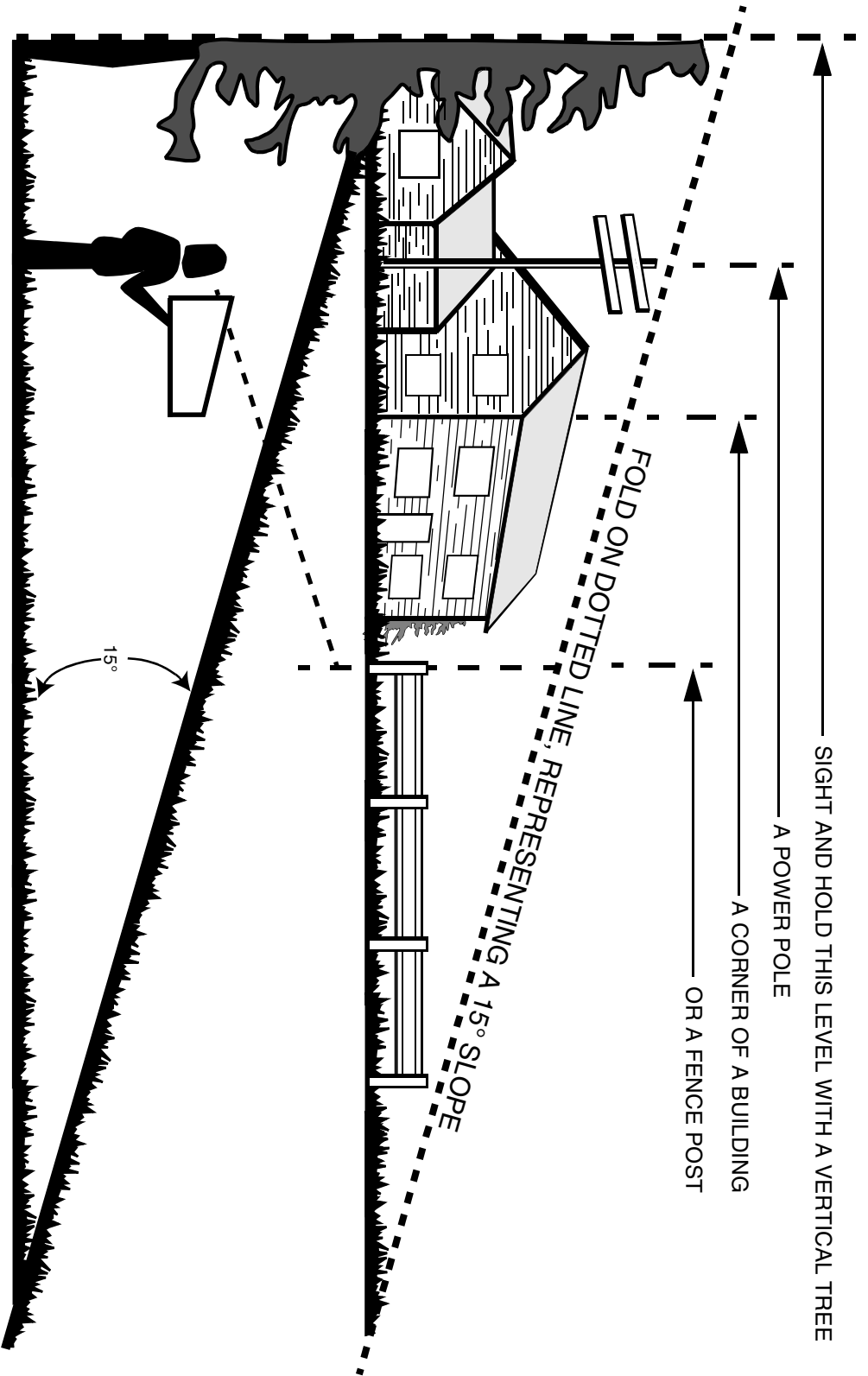
WARNING - YOUR RESPONSIBILITY: Restrict the use of this power machine to persons who read, understand and follow the warnings and instructions in this manual and on the machine.



Figure 1 Safety Labels found on your unit

Slope Gauge

USE THIS PAGE AS A GUIDE TO DETERMINE SLOPES WHERE YOU MAY NOT OPERATE SAFELY.



Do not mow on inclines with a slope in excess of 15 degrees (a rise of approximately 2-1/2 feet every 10 feet). A riding mower could overturn and cause serious injury. If operating a walk-behind mower on such a slope, it is extremely difficult to maintain your footing and you could slip, resulting in serious injury. Operate RIDING mowers up and down slopes, never across the face of slopes.

SECTION 5: ATTACHMENTS & ACCESSORIES

MODEL NUMBER	DESCRIPTION
OEM-190-601	FastAttach™ Twin Bagger Grass Collector (For 42-inch Decks Only)
OEM-190-602	FastAttach™ Twin Bagger Grass Collector (For 46-inch Decks Only)
OEM-190-112	Mulch Kit (For 42-inch Decks Only)
OEM-190-118	Mulch Kit (For 46-inch Decks Only)
OEM-190-603	FastAttach™ Grille Guard™ (mounts on front of tractor)
OEM-190-604	YardMate™ Storage Container (mounts on rear of tractor)
OEM-190-822	FastAttach™ 46-inch Front Dozer Blade
OEM-190-823	42-inch Two-stage Snow Thrower

NOTE: Your tractor is *NOT* designed for use with any type of ground-engaging attachments (e.g. tiller, plow). Use of this type of equipment **WILL** void the tractor's warranty.

SECTION 6: TRACTOR SET-UP

ATTACHING THE BATTERY CABLES

NOTE: The positive battery terminal is marked Pos. (+). The negative battery terminal is marked Neg. (-).

- The positive cable (heavy red wire) is secured to the positive battery terminal (+) with hex bolt and hex nut at the factory. Make certain that the rubber boot covers the terminal to help protect it from corrosion.
- Remove the hex bolt and wing nut from the negative cable. Attach the negative cable (heavy black wire) to the negative battery terminal (-) with the bolt and wing nut.
- Place the hold-down strap in position over the battery to secure it in place. See Figure 2.

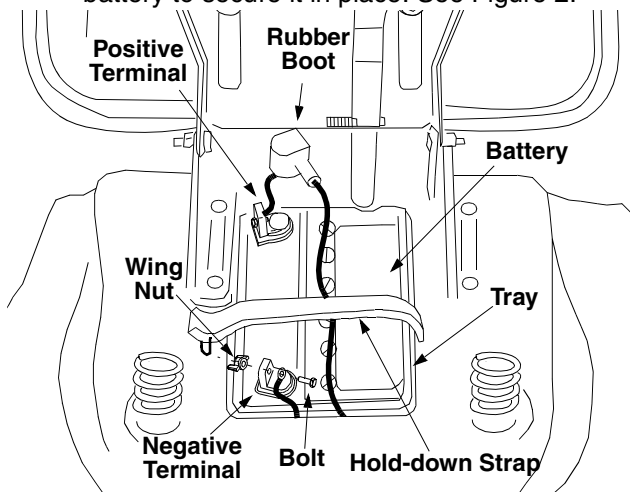


Figure 2

NOTE: If battery is put into service after date shown on top of battery, charge for minimum of one hour at 6-10 amps. Refer to the MAINTENANCE section of this manual for more detailed instructions regarding proper battery charging procedure.

GAS AND OIL FILL-UP

Service the engine with gasoline and oil as instructed in the separate engine manual packed with your tractor. Read instructions carefully.

IMPORTANT: Your tractor is shipped with oil; however, you **MUST** check the oil level before operating. Be careful not to overfill.



WARNING: Overfilling with oil may cause the engine to smoke. This will result in poor engine performance and could cause permanent engine damage.

The gasoline tank is located under the hood and has a capacity of approximately two gallons. Do not overfill.



WARNING: Never fill fuel tank indoors, gasoline produces noxious fumes. Always fill the fuel tank in a well ventilated area to avoid inhalation of gasoline fumes.



WARNING: Never fill the fuel tank while engine is running or while engine is hot.



WARNING: Never smoke while fueling your tractor. Gasoline produces combustible fumes which can ignite and cause personal injury.



WARNING: Do not fill closer than 1/2 inch from the top of the fuel tank to prevent spills and to allow for fuel expansion. If gasoline is accidentally spilled, move tractor away from area of spill. Avoid creating any source of ignition until gasoline vapors have disappeared.

SECTION 7: CONTROLS

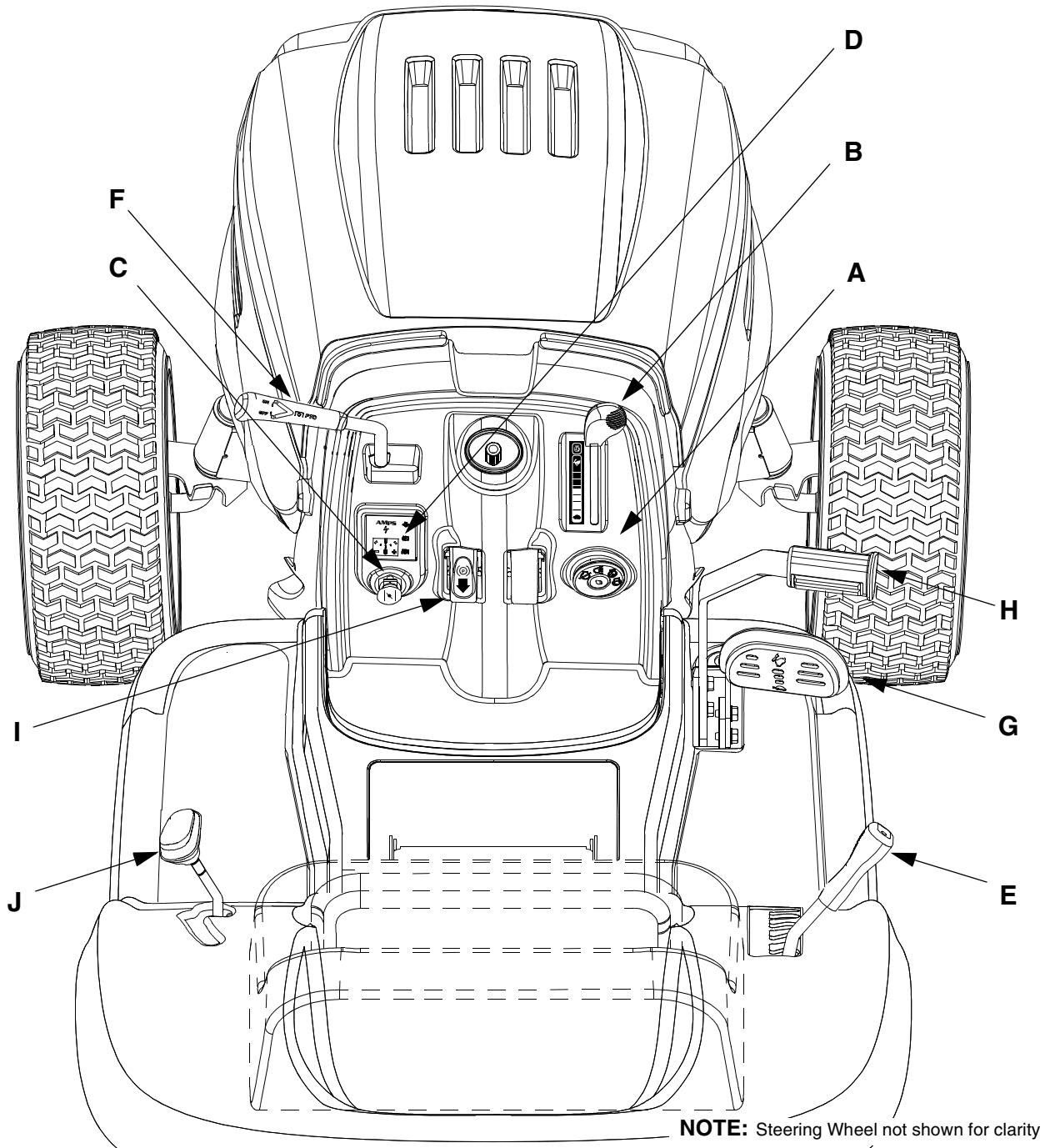


Figure 3

- | | |
|----------------------------------|------------------------------|
| A Ignition Switch | F PTO (Power Take-Off) Lever |
| B Throttle Control Lever | G Drive Pedal |
| C Choke Control (if so equipped) | H Brake Pedal |
| D Indicator Monitor | I Parking Brake Button |
| E Lift Lever | J Shift Lever |

NOTE: Any reference in this manual to the RIGHT or LEFT side of the tractor is observed from operator's position.

IGNITION SWITCH

To start the engine, insert key into the ignition switch and turn clockwise to the **START** position. Release the key to the **ON** position once engine has fired. See Figure 4. Refer to **STARTING THE ENGINE** in the **OPERATION** section of this manual for detailed starting instructions. The ignition switch is also used to operate the headlights. Refer to **OPERATING THE HEADLIGHTS** in the **OPERATION** section of this manual for detailed instructions.



WARNING: Remove the key from the tractor when the tractor is not in use to prevent accidental starting.

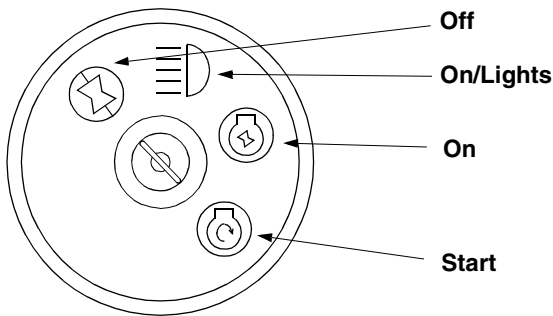


Figure 4

THROTTLE CONTROL LEVER

The throttle lever is located on the right side of the tractor's dash panel. This lever controls the speed of the engine, and on some units the choke control also. When set in a given position, the throttle will maintain a uniform engine speed. See Figure 5.

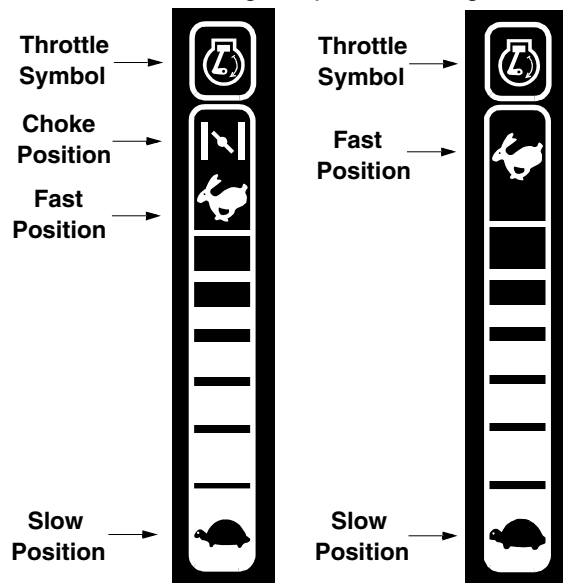
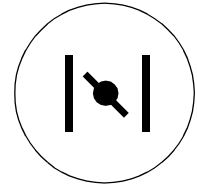


Figure 5

IMPORTANT: When using PTO operated equipment such as the cutting deck or other attachments, **ALWAYS** operate the tractor with the throttle lever in the **FAST (rabbit)** position.

CHOKE CONTROL

On some units, moving the throttle lever all the way forward activates the engine's choke control. On all other units, the choke control can be found on the left side of the dash panel and is activated by pulling the knob outward. Activating the choke control closes the choke plate on the carburetor and aids in starting the engine. Refer to **STARTING THE ENGINE** in the **OPERATION** section of this manual for detailed starting instructions.



SYSTEMS INDICATOR MONITOR

Your tractor is equipped with an ammeter as part of its systems indicator monitor and is located on the left side of your tractor's dash panel. See Figure 6.

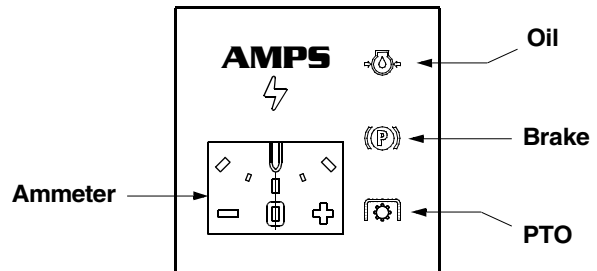


Figure 6

If the Brake light or PTO light illuminates when attempting to start the unit, proceed as follows:

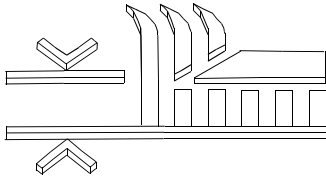
- BRAKE — Depress the brake pedal.
- PTO — Move PTO lever into the disengaged (OFF) position.

It is normal for the Oil light to illuminate while the engine is **cranking**, but if it illuminates **while the engine is running**, proceed as follows:

- OIL— Stop the tractor immediately and check the crankcase oil level as instructed in the separate engine manual packed with your unit. Add oil as required.

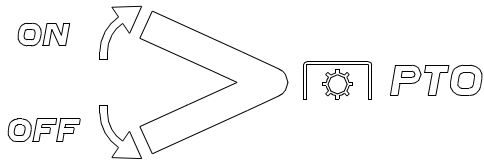
The ammeter measures the electrical output of the engine's charging system. Under normal operating conditions, with the engine running at full throttle, the ammeter's needle should measure a positive charge.

LIFT LEVER



The lift lever is used to change the operating position (height) of the cutting deck. To operate, move the lever to the left, then place in the notch best suited for your application.

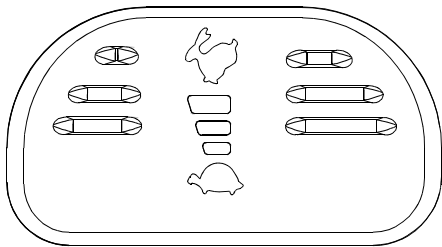
PTO (POWER TAKE-OFF) LEVER



The PTO lever is located on the left side of the dash next to the steering wheel. Move the PTO lever forward to engage the power to the cutting deck or other attachments; move the PTO lever backward (toward the rear of the tractor) to disengage the power to the attachments.

NOTE: The PTO lever **must** be in the disengaged (OFF) position when starting the engine, when shifting into reverse and if the operator leaves the seat.

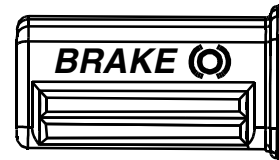
DRIVE PEDAL



The drive pedal is located below the brake pedal on the right front side of the tractor along the running board. Depress the drive pedal with your right foot when the tractor shift lever is in either forward or reverse to cause the tractor to move. Ground speed is also controlled with the drive pedal. The further down the pedal is depressed, the faster the tractor will travel. The pedal will return to its original position when it's not depressed.

IMPORTANT: Always set the parking brake when leaving the tractor unattended.

BRAKE PEDAL

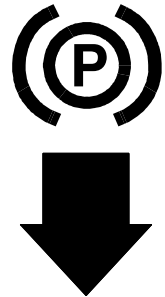


The brake pedal is located on the right front side of the tractor above the drive pedal along the running board. The brake pedal can be used for sudden stops or for setting the parking brake.

NOTE: The brake pedal must be fully depressed to activate the safety interlock switch when starting the tractor.

PARKING BRAKE BUTTON

To set the parking brake, fully depress the brake pedal and push the parking brake button in. Hold the button in while taking your foot off the brake pedal. Both the parking button and the brake pedal will then stay depressed. To release the parking brake, depress the brake pedal slightly. The parking brake button will then return to its original position.



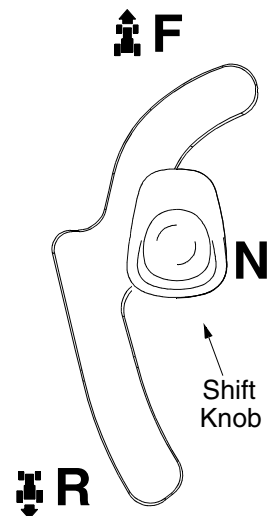
NOTE: The parking brake must be set if the operator leaves the seat with the engine running or the engine will automatically shut off.

IMPORTANT: Always set the parking brake when leaving the tractor unattended.

SHIFT LEVER

The shift lever is located on the left side of the fender and has three positions, FORWARD, NEUTRAL and REVERSE. The brake pedal must be depressed and the tractor must not be in motion when moving the shift lever.

IMPORTANT: Never force the shift lever. Doing so may result in serious damage to the tractor's transmission.



SECTION 8: OPERATION

SAFETY INTERLOCK SWITCHES

This tractor is equipped with a safety interlock system for the protection of the operator. If the interlock system should ever malfunction, do not operate the tractor. Contact an authorized dealer in your area. The safety interlock system prevents the engine from cranking or starting unless the brake pedal is fully depressed, and the PTO lever is in the disengaged (OFF) position.

- The safety interlock system will automatically shut off the engine if the operator leaves the seat before engaging the brake lock.
- The safety interlock system will automatically shut off the engine if the operator leaves the seat with the PTO lever in the engaged (ON) position, regardless of whether the brake lock is engaged. The PTO lever must be in the disengaged (OFF) position to restart the engine.
- The safety interlock system will automatically shut off the engine if the PTO lever is moved into the engaged (ON) position with the shift lever in the REVERSE position.



WARNING: Do NOT attempt to bypass or disconnect the tractor's safety interlock. Doing so could result in serious personal injury or death.

IMPORTANT: *Tampering with or attempting to bypass the tractors Safety Interlock Switches in any way WILL void your warranty.*



WARNING

AVOID SERIOUS INJURY OR DEATH

- GO UP AND DOWN SLOPES, NOT ACROSS.
- AVOID SUDDEN TURNS.
- DO NOT OPERATE THE UNIT WHERE IT COULD SLIP OR TIP.
- IF MACHINE STOPS GOING UPHILL, STOP BLADE(S) AND BACK DOWNHILL SLOWLY.
- DO NOT MOW WHEN CHILDREN OR OTHERS ARE AROUND.
- NEVER CARRY CHILDREN.
- LOOK DOWN AND BEHIND BEFORE AND WHILE BACKING.
- KEEP SAFETY DEVICES (GUARDS, SHIELDS, AND SWITCHES) IN PLACE AND WORKING.
- REMOVE OBJECTS THAT COULD BE THROWN BY THE BLADE(S).
- KNOW LOCATION AND FUNCTION OF ALL CONTROLS.
- BE SURE BLADE(S) AND ENGINE ARE STOPPED BEFORE PLACING HANDS OR FEET NEAR BLADE(S).
- BEFORE LEAVING OPERATOR'S POSITION, DISENGAGE BLADE(S), PLACE THE SHIFT LEVER IN NEUTRAL, ENGAGE BRAKE LOCK, SHUT ENGINE OFF AND REMOVE KEY.

READ OPERATOR'S MANUAL

SETTING THE CUTTING HEIGHT

Select the height position of the cutting deck by placing the deck lift lever in any of the six different cutting height notches on the right side of the fender. Then adjust the deck wheels so that they are at least 1/4 inch to 1/2 inch above the ground when the tractor is on a smooth, flat surface such as a driveway.



WARNING: Keep hands and feet away from the discharge chute opening of the cutting deck.

NOTE: *The deck wheels are an anti-scalp feature of the deck and are not designed to support the weight of the cutting deck.*

Refer to the ADJUSTMENTS section of this manual for more detailed instructions regarding various deck adjustments.

STARTING THE ENGINE

NOTE: *Refer to the TRACTOR SET-UP section of this manual for gasoline and oil fill-up instructions.*

- Insert the tractor key into the ignition switch.
- Place the PTO lever in the disengaged (OFF) position.
- Depress the brake pedal and set the parking brake.
- Place the shift lever in the NEUTRAL position.
- Move the throttle control lever into the FAST (or CHOKE, if so equipped) position.
- Pull out the choke control knob, if so equipped (a warm engine may not require choking).
- Turn the ignition key clockwise to the START position. After the engine starts, release the key. It will return to the ON position.

IMPORTANT: *Do NOT hold the key in the START position for longer than ten seconds at a time. Doing so may cause damage to your engine's starter.*

NOTE: *If starting problems are encountered, refer to the TROUBLESHOOTING section of this manual.*

After the engine starts, slowly release the brake pedal. As the engine warms up, gradually push the choke control knob inward (or move the throttle control lever out of the CHOKE position) to open up the choke plate on the engine's carburetor.

NOTE: Do NOT leave the choke control out while operating the tractor. Doing so will result in a "rich" fuel mixture and cause the engine to run poorly.

STOPPING THE ENGINE

- Place the PTO lever in the disengaged (OFF) position
- Move the throttle control into the SLOW (turtle) position and allow the engine to "idle down" for ten seconds. Failure to do so may result in an engine afterfire.
- Turn the ignition key counterclockwise to the OFF position.
- Remove the key from the ignition switch to prevent accidental starting.

IMPORTANT: If you think you've struck a foreign object, stop the engine immediately. Remove the wire(s) from the spark plug(s), thoroughly inspect the unit for any damage, and repair the damage before restarting and operating the tractor.

DRIVING THE TRACTOR



WARNING: Avoid sudden starts, excessive speed and sudden stops.



WARNING: Do not leave the seat of the tractor without first placing the PTO lever in the disengaged (OFF) position, depressing the brake pedal and engaging the parking brake. If leaving the tractor unattended, also turn the ignition key off and remove the key.

- Depress the brake pedal to release the parking brake and let the pedal up. Move the throttle lever into the FAST (rabbit) position.

IMPORTANT: Do NOT use the shift lever to change the direction of travel when the tractor is in motion. Always use the brake pedal to bring the tractor to a complete stop before shifting.

- To move forward, place the shift lever in the FORWARD position, then slowly depress the drive pedal until the desired speed is achieved.
- To move in reverse, place the shift lever in the REVERSE position, check that the area behind is clear then slowly depress the drive pedal.

DRIVING ON SLOPES

Refer to the SLOPE GAUGE on page 6 to help determine slopes where you may not operate safely.



WARNING: Do not mow on inclines with a slope in excess of 15 degrees (a rise of approximately 2-1/2 feet every 10 feet). The tractor could overturn and cause serious injury.

Operate the tractor up and down slopes, never across slopes. Do not drive so that the tractor may tip over sideways.

Before operating the tractor on any slope, walk the slope to look for possible hazards such as rocks, mounds, ruts, stumps or other surface irregularities which could cause the tractor to be upset.

Avoid turns when driving on a slope. If a turn must be made, turn down the slope. Turning up a slope greatly increases the chance of a roll over.

Avoid stopping when driving up a slope. If it is necessary to stop while driving up a slope, start up smoothly and carefully to reduce the possibility of flipping the tractor over backward.

OPERATING THE HEADLIGHTS

To turn the tractor's headlights on:

- Start the engine following the instructions earlier in this section.
- Turn the key one notch counterclockwise into the On/Lights position of the ignition switch. Refer to Figure 4.

To turn the tractor's headlights off:

- Turn the key either into the On position (to leave the engine running) or the Off position (to shut the engine off). Refer to Figure 4.

IMPORTANT: Never move the key into the Start position while the engine is running. Doing so may cause damage to your engine's starter.

STOPPING THE ENGINE

- Place the PTO lever in the disengaged (OFF) position.
- Move the throttle control into the SLOW position and allow the engine to "idle down" for ten seconds, then turn the ignition key counterclockwise to the OFF position.
- Remove the key from the ignition switch to prevent accidental starting.

IMPORTANT: If you think you've struck a foreign object, stop the engine immediately. Remove the wire(s) from the spark plug(s), thoroughly inspect the unit for any damage, and repair the damage before restarting and operating the mower.

USING THE LIFT LEVER

To raise the cutting deck, move the lift lever to the left, then place it in the notch best suited for your application. Refer to SETTING THE CUTTING HEIGHT earlier in this section.

ENGAGING THE PTO (POWER TAKE-OFF) LEVER

- Move the throttle control lever to the FAST (rabbit) position.
- Move the PTO lever forward into the engaged (ON) position.
- Keep the throttle lever in the FAST (rabbit) position for the most efficient use of the cutting deck and other attachments.
- The operator must remain in the tractor seat at all times. If the operator should leave the seat without moving the PTO lever into the disengaged (OFF) position and setting the parking brake, the engine will shut off.

IMPORTANT: *The PTO lever cannot be in the engaged (ON) position when the tractor is driving in the reverse direction. The safety interlock system will automatically shut off the engine if the PTO lever is moved into the engaged (ON) position with the shift lever in the REVERSE position. Refer to SAFETY INTERLOCK SWITCHES earlier in this section.*

MOWING

This tractor comes equipped with a cutting deck. The following information will be helpful when using the cutting deck with your tractor.



WARNING: To avoid possible injury, do not allow anyone in the area of the tractor while mowing. Even if the area to be mowed has been cleared of foreign objects, small objects may be picked up and discharged by the mower.



WARNING: Never direct the discharge of material toward bystanders or allow anyone near the machine while in operation.

- For best results it is recommended that the first two laps be cut with the discharge thrown towards the center. After the first two laps, reverse the direction to throw the discharge to the outside for the balance of cutting. This will give a better appearance to the lawn.
- Do not cut the grass too short. Short grass invites weed growth and yellows quickly in dry weather.
- Mowing should **always** be done with the engine at full throttle.
- Do not mow at high ground speed, especially if a mulch kit or grass collector is installed.
- Under heavier conditions it may be necessary to go back over the cut area a second time to get a clean cut.
- Do NOT attempt to mow heavy brush and weeds and extremely tall grass. Your tractor is designed to mow lawns, NOT clear brush.
- Keep the blades sharp and replace the blades when worn. Refer to the MAINTENANCE section of this manual for proper blade sharpening instructions.

SECTION 9: ADJUSTMENTS

LEVELING THE DECK



WARNING: Cutting blades are sharp. Always protect hands by wearing heavy leather work gloves to grasp blades.

NOTE: *Check the tractor's tire pressure before performing any deck leveling adjustments. Refer to TIRES in the maintenance section of this manual for further information regarding tire pressure.*

Front to Rear

The front of the cutting deck is supported by a stabilizer bar that can be adjusted to level the deck from front to rear. The front of the deck should be 1/4" to 3/8" lower than the rear of the deck. Adjust if necessary as follows:



WARNING: Turn the tractor's engine off, remove the key from the ignition switch and apply the tractor's parking brake before making any adjustments to the cutting deck.

- With the tractor parked on a firm, level surface, place the lift lever in the top notch (highest position) and rotate the blade nearest the discharge chute so that it is parallel with the tractor.
- Measure the distance from the front of the blade tip to the ground and from the rear of the blade tip to the ground. The first measurement taken should be between 1/4" and 3/8" less than the second measurement.

- Determine the approximate distance necessary for proper adjustment and proceed, if necessary, to the next step.
- Loosen the two jam nuts on the rear side of the deck stabilizer bracket. See Figure 7A.

- Locate the two lock nuts on the opposite side of the stabilizer bracket. See Figure 7A. Tighten the lock nuts to raise the front of the deck; loosen the lock nuts to lower the front of the deck.
- Retighten the two jam nuts loosened earlier when proper adjustment is achieved.

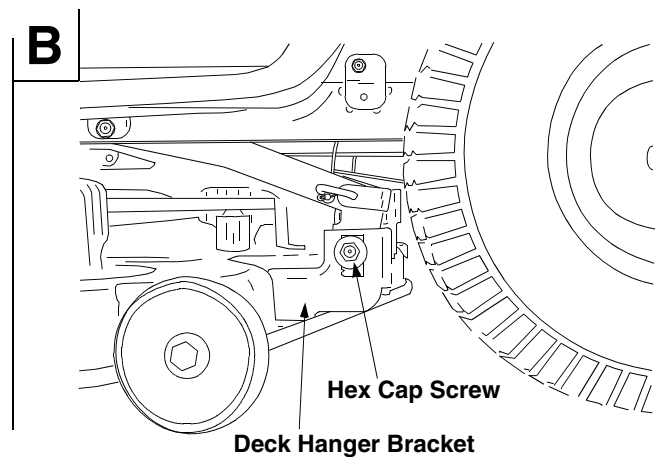
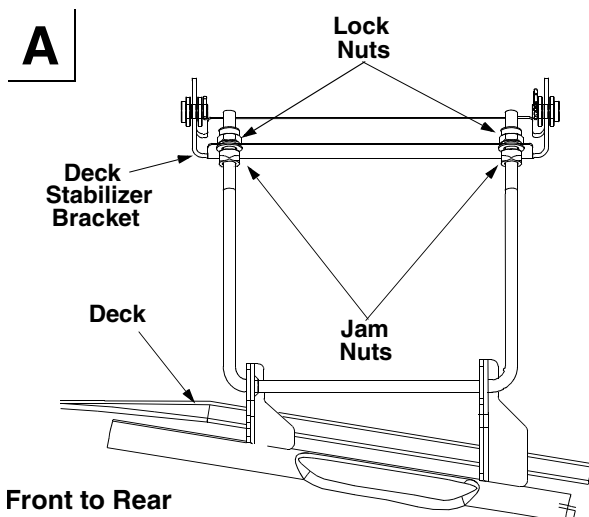
Side to Side

If the cutting deck appears to be mowing unevenly, a side-to-side adjustment can be performed. Adjust if necessary as follows:



WARNING: Turn the tractor's engine off, remove the key from the ignition switch and apply the tractor's parking brake before making any adjustments to the cutting deck.

- With the tractor parked on a firm, level surface, place the lift lever in the top notch (highest position) and rotate the both blades so that they are perpendicular with the tractor.
- Measure the distance from the outside of the left blade tip to the ground and the distance from the outside of the right blade tip to the ground. Both measurements taken should be equal. If they're not, proceed to the next step.
- Loosen, but do NOT remove, the hex cap screw on the left deck hanger bracket. See Figure 7B.
- Balance the deck so that both blade tip measurements taken earlier are equal.
- Retighten the hex cap screw on the left deck hanger bracket when proper adjustment is achieved.



Side to Side
Figure 7

SEAT ADJUSTMENT

To adjust the position of the seat, loosen, but do NOT remove the four screws which secure the seat to the seat pivot bracket. Slide the seat forward or backward until desired position is reached. Retighten the four screws. See Figure 8.

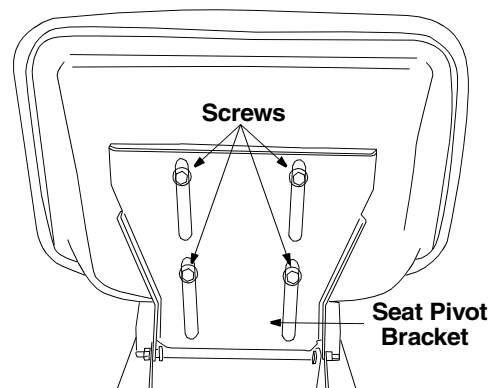
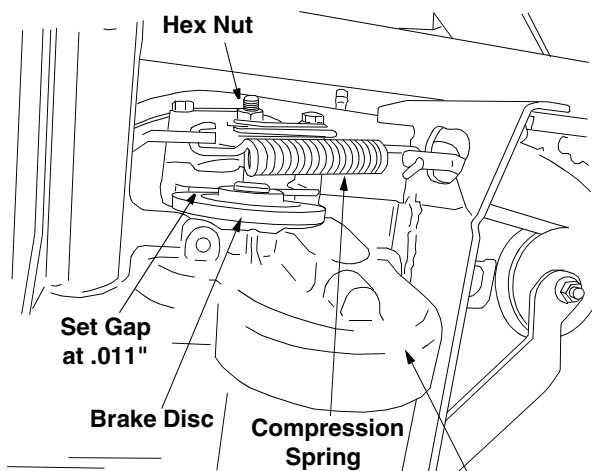


Figure 8

BRAKE ADJUSTMENT

If the tractor does not come to a complete stop when the brake pedal is completely depressed, or if the tractor's rear wheels can roll with the parking brake applied, the brake is in need of adjustment. The brake disc can be found on the right side of the transmission in the rear of the tractor. Adjust if necessary as follows:

- Looking at the transmission from the right side of the tractor, locate the compression spring and brake disc. See Figure 9.
- Loosen, but do NOT remove, the hex nut found on the right side of the brake assembly. See Figure 9.
- Using a feeler gauge, set the gap between the brake disc and the brake puck at .011".
- Re-tighten the hex nut loosened earlier.



NOTE: View shown from beneath tractor. Transmission

Figure 9

STEERING ADJUSTMENT

If the tractor turns tighter in one direction than the other, or if the ball joints are being replaced due to damage or wear, the steering drag links may need to be adjusted.

Adjust the drag links so that equal lengths are threaded into the ball joint on the left side and the ball joint on the right side:

- Loosen the jam nut found on the drag link at the rear of the ball joint. See Figure 10.
- Remove the hex nut and lock washer on the top of ball joint. See Figure 10.
- Thread the ball joint toward the jam nut to shorten the drag link. Thread the ball joint away from the jam nut to lengthen the drag link.

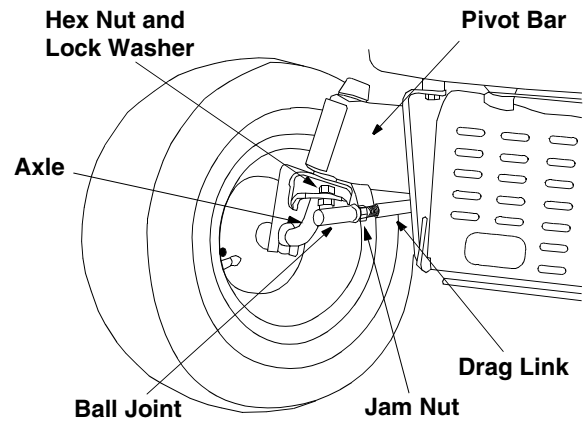


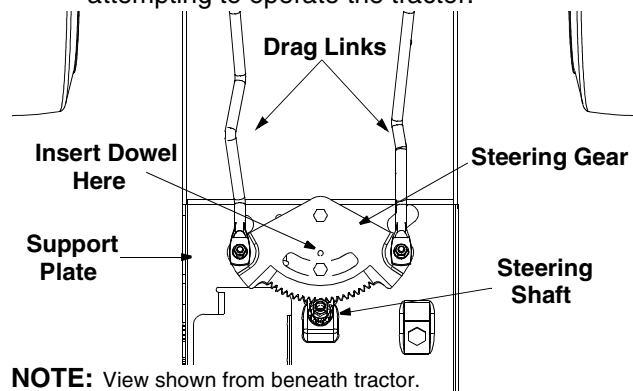
Figure 10

- Replace hex nut and lock washer and retighten the jam nut after proper adjustment is achieved.

NOTE: Threading the ball joints too far onto the drag links will cause the front tires to "toe-in" too far. Proper toe-in is between 1/16" and 5/16".

Front tire toe-in can be measured as follows:

- Place the steering wheel in position for straight ahead travel. Insert a 1/4" dowel up through aligning holes in both the steering gear and support plate. See Figure 11.
- In front of the axle, measure the distance horizontally from the inside of the left rim to the inside of the right rim. Note the distance.
- Behind the axle, measure the distance horizontally from the inside of the left rim to the inside of the right rim. Note the distance.
- The measurement taken in front of the axle should be between 1/16" and 5/16" less than the measurement taken behind the axle.
- Adjust if necessary.
- Remove the dowel inserted earlier before attempting to operate the tractor.



NOTE: View shown from beneath tractor.

Figure 11

CARBURETOR ADJUSTMENT



WARNING: If any adjustments are made to the engine while the engine is running (e.g. carburetor), disengage all clutches and blades. Keep clear of all moving parts. Be careful of heated surfaces and muffler.

NOTE: A dirty air cleaner will cause an engine to run rough. Be certain it is clean and properly attached before adjusting carburetor. Refer to separate engine manual packed with your unit for information regarding air cleaner maintenance.

Refer to separate engine manual packed with your unit for carburetor adjustment information or see an authorized Briggs & Stratton service dealer.

SECTION 10: MAINTENANCE



WARNING: Disconnect the spark plug wire(s) and ground against the engine before performing any adjustments, repairs or maintenance.

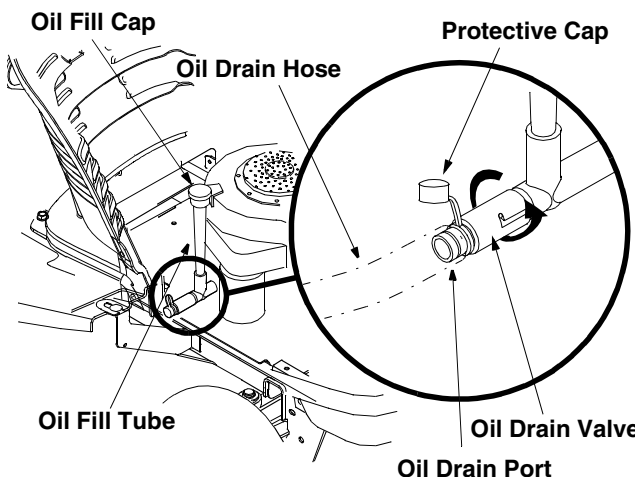
ENGINE

Refer to the separate engine manual for engine maintenance instructions.

Check **engine oil level** before each use as instructed in the separate engine manual packed with your unit. **Read and follow instructions carefully.**

Changing Engine Oil

- Unscrew oil fill cap and remove dipstick from the oil fill tube. See Figure 12.



NOTE: Single-cylinder engine shown.
Valve location will vary with engine style.

Figure 12

- Pop open the protective cap on the end of the oil drain valve to expose the oil drain port. See Figure 12.
- Push oil drain hose (packed with unit) onto the oil drain port. Route the opposite end of the hose into an appropriate oil collection container with a capacity great enough to collect the used oil.

- Push the oil drain valve in slightly, then rotate counterclockwise and pull outward to begin draining oil. See Figure 12.

- Service the **oil filter** (if so equipped) as instructed in the separate engine manual packed with your unit.

Perform the above steps in the opposite order after oil has finished draining.

- Refill the engine with new motor oil.

IMPORTANT: Refill the engine with the proper capacity and weight of motor oil as instructed in the separate engine manual.

Service **air cleaner** every 25 hours under normal conditions. Clean every few hours under extremely dusty condition. To service the air cleaner, refer to the separate engine manual packed with your unit.

The **spark plug(s)** should be cleaned and the gap reset once a season. Replacement is recommended at the start of each mowing season; check engine manual for correct plug type and gap specifications.

CLEANING THE ENGINE AND DECK

Any fuel or oil spilled on the machine should be wiped off promptly. Do NOT allow grass, leaves, and dirt to accumulate around the cooling fins of the engine or on any other part of the machine, especially the pulleys and other moving parts. Clean the underside of the deck with a wisk broom, putty knife or forced air after each mowing.

IMPORTANT: The use a pressure washer or garden hose to clean your tractor is NOT recommended. It may cause damage to electrical components, spindles, pulleys, bearings or the engine. The use of water will result in a shortened life of the tractor and reduce its serviceability.

CUTTING DECK REMOVAL



WARNING: Before performing any maintenance, move the PTO lever into the disengaged (OFF) position, engage the parking brake, turn the ignition key to the OFF position and remove the key from the switch to avoid accidental starting.

Several attachments are available for your tractor. To mount some of these attachments and in order to perform certain maintenance procedures, the deck must be removed from the tractor. To properly remove the cutting deck, proceed as follows:



WARNING: Do NOT remove deck immediately after operating the tractor. Allow the engine and other moving parts ample time to cool down.

- Engage the tractor's parking brake.
- Move the PTO lever into the disengaged (OFF) position to relieve tension on the belt.
- Lower the deck by moving the lift lever into the bottom notch on the right fender.
- Remove the PTO belt from around the lower portion of the engine pulley and from around both PTO idler pulleys on the PTO engagement plate.

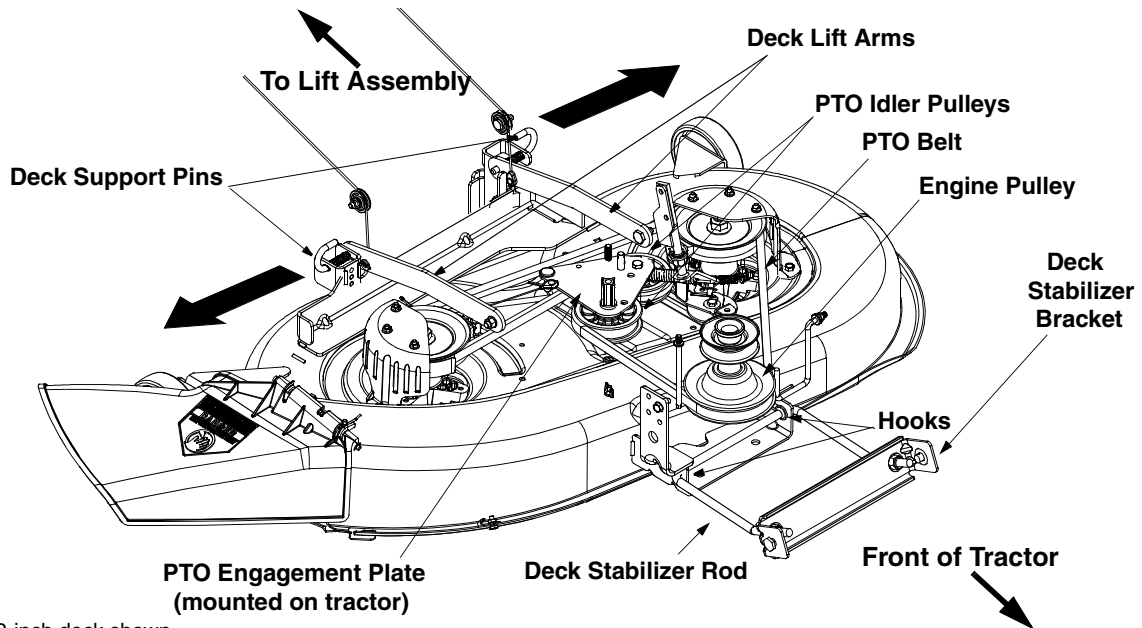


Figure 13

NOTE: On units equipped with a 46-inch deck, the bottommost belt on the deck does NOT need to be removed in order to remove the deck.

- Looking at the cutting deck from the right side of the tractor, locate the deck support pin on the rear right side of the deck.
- Pull the deck support pin outward to release the deck from the deck lift arm. See Figure 13.
- Rotate the pin slightly toward the rear of the tractor and release the pin into the hole provided.
- Repeat the above steps on the left side of the tractor.
- Move the lift lever into the top notch on the right fender to raise the deck lift arms out of the way.
- Carefully move the cutting deck toward the front of the tractor allowing the hooks on the deck to release themselves from the deck stabilizer rod. Do NOT let the deck fall to the ground.
- Gently slide the cutting deck (from the right side) out from underneath the tractor.

NOTE: To properly remount the cutting deck, perform the above steps in reverse order. Having a second person assist you will ease this procedure.

CHANGING THE DECK BELT(S)

All belts on your tractor are subject to wear and should be replaced if any signs of cracking, shredding or rotting are present.

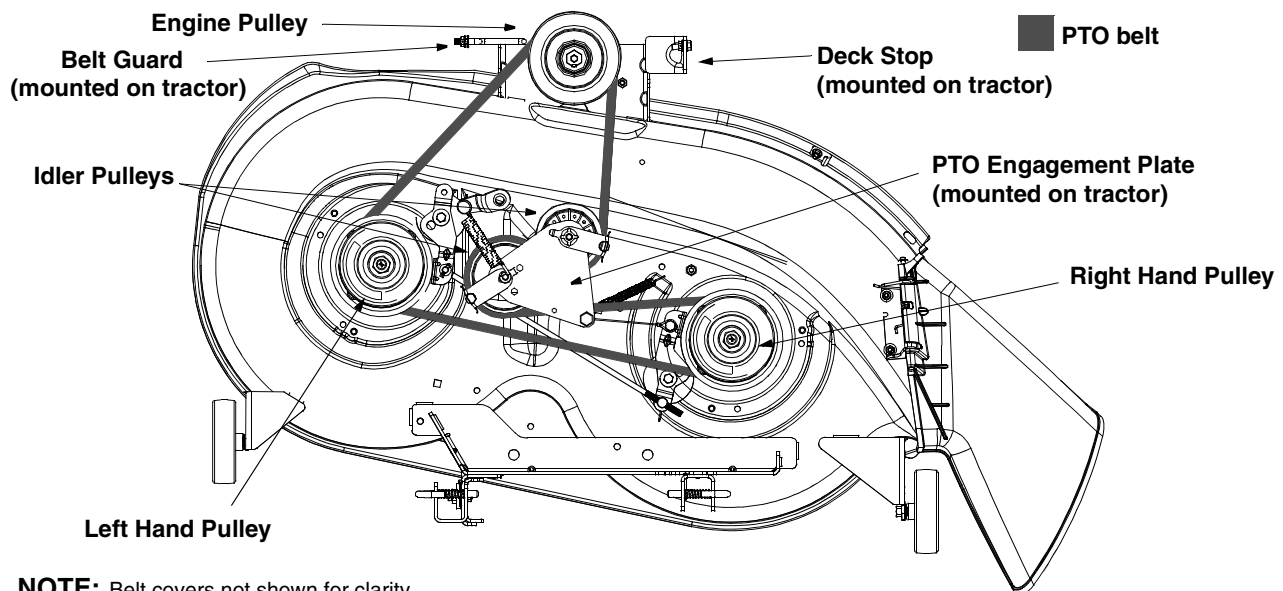
IMPORTANT: *The V-belts found on your tractor are specially designed to engage and disengage safely. A substitute (non-OEM) V-belt can be dangerous by not disengaging completely. For a proper working machine, use factory approved belts.*

To change or replace the deck belt(s) on your tractor, proceed as follows:

NOTE: *Removing the deck from the tractor as instructed earlier in this section will ease the following steps, but is not necessary.*

42-inch decks

- Lower the deck by moving the lift lever into the bottom notch on the right fender.
- Remove the belt guards by removing the self-tapping screws that fasten them to the deck surface.
- Move the PTO lever into the disengaged (OFF) position to relieve tension on the belt.
- Remove the PTO belt from around the bottom portion of the engine pulley and from around the two idler pulleys found on the PTO engagement plate. See Figure 14.
- Route the new belt as shown in Figure 14, around the deck pulleys, idler pulleys and engine pulley. OEM belt part numbers are listed in the table on the following page
- Remount the belt guards removed earlier.

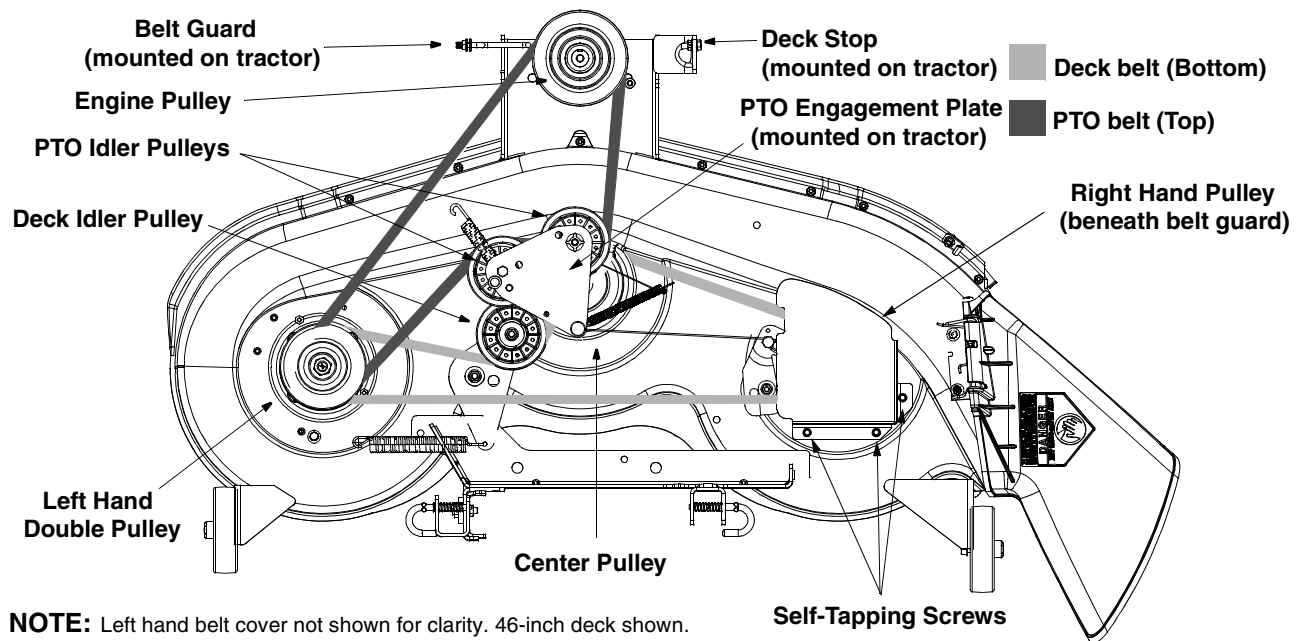


NOTE: Belt covers not shown for clarity.

Figure 14

46-inch decks

- Lower the deck by moving the lift lever into the bottom notch on the right fender.
- Remove the belt guards by removing the self-tapping screws that fasten them to the deck surface.
- Move the PTO lever into the disengaged (OFF) position to relieve tension on the belt.
- Remove the PTO belt from around the bottom portion of the engine pulley and from around the two PTO idler pulleys found on the PTO engagement plate. See Figure 15.
- Route the new belt as shown in Figure 15, around the upper portion of the left hand deck pulley, PTO idler pulleys and the lower portion of the engine pulley. OEM belt part numbers are listed in the table on the following page.
- Remount the belt guards removed earlier.



NOTE: Left hand belt cover not shown for clarity. 46-inch deck shown.

Figure 15

	42-Inch Deck	46-Inch Deck
PTO (Top) Belt	754-0485	754-0486
Deck (Bottom) Belt	N/A	754-0349

CHANGING THE TRANSMISSION DRIVE BELT(S)

All belts on your tractor are subject to wear and should be replaced if any signs of cracking, shredding or rotting are present.

IMPORTANT: *The V-belts found on your tractor are specially designed to engage and disengage safely. A substitute (non-OEM) V-belt can be dangerous by not disengaging completely. For a proper working machine, use factory approved belts.*

To change or replace the drive belt(s) on your tractor, proceed as follows:

NOTE: *It's recommended that both drive belts be replaced at the same time.*

- Remove the cutting deck as instructed earlier in this section.
- After disconnecting the battery cables, remove the battery and battery tray from beneath the seat.

IMPORTANT: *When removing the battery, disconnect the NEGATIVE (Black) wire from it's terminal first, followed by the POSITIVE (Red) wire. Re-install in reverse order.*

Upper Drive Belt

- Locate the transmission idler pulley on the upper drive belt by looking through the battery tray opening. See Figure 16.
- Grasp the bracket and pivot the transmission idler pulley toward the rear of the tractor to release tension on the upper drive belt.
- Remove the belt from around the transmission idler pulley.
- Remove the upper drive belt from around the transmission pulley and the variable-speed pulley.

NOTE: *Slowly rotate the pulley counterclockwise to roll the belt off of it.*

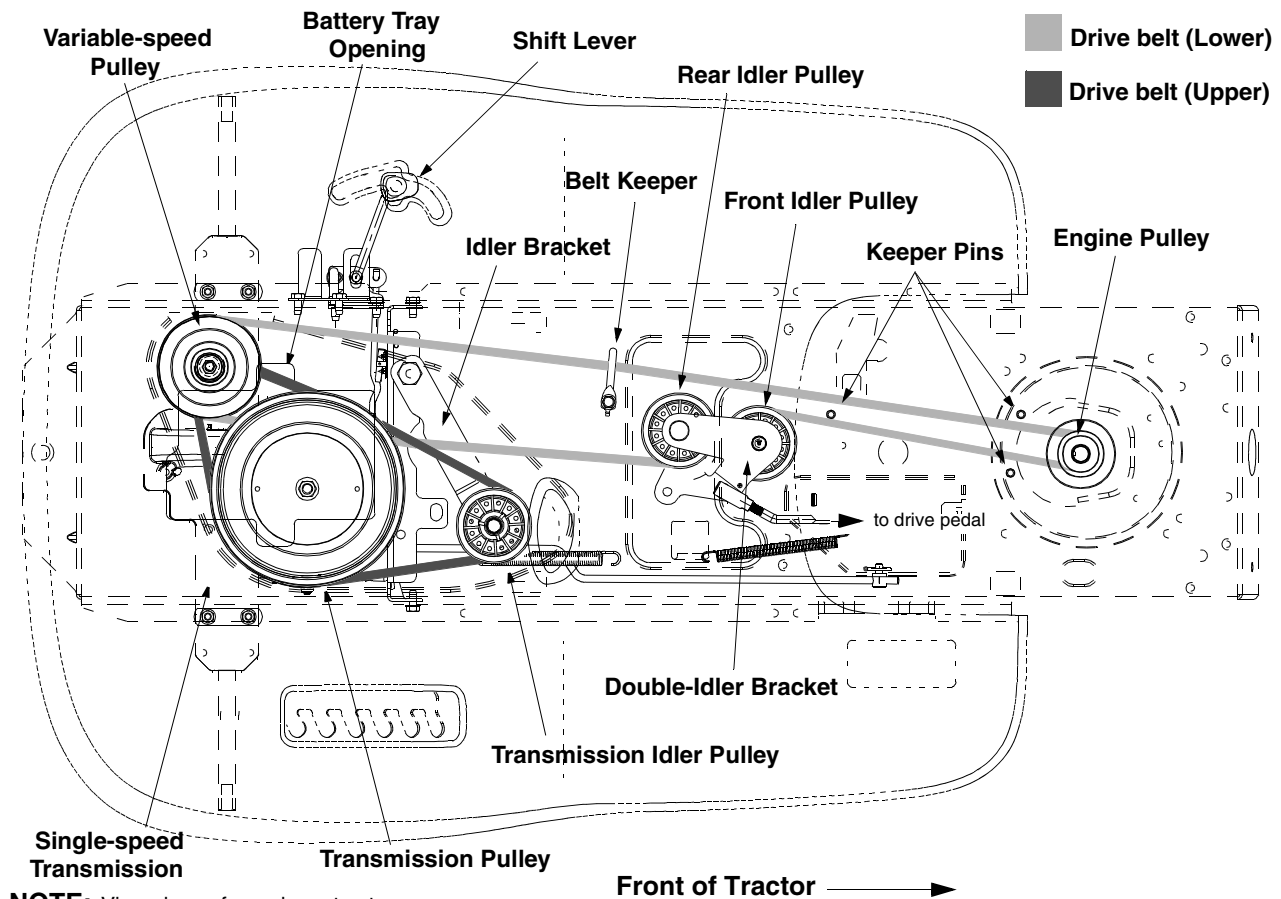
- Remove the upper drive belt by pulling it up through the battery tray opening.
- Reroute the new upper drive belt as shown in Figure 16.

Lower Drive Belt

NOTE: Proper removal of the lower drive belt requires the removal of several tractor components. Read through the following procedure prior to attempting it to determine if you feel you could successfully complete it. If you don't, see an authorized MTD service dealer to have the belt changed.

IMPORTANT: Note the routing of the lower drive belt around both the pulleys and the belt keepers **BEFORE** performing the following steps.

- Locate the variable-speed pulley by looking through the battery tray opening. See Figure 16.
- Remove the variable-speed pulley by loosening the hex bolt that secures it to the transmission. Use a second wrench to hold the hex nut on the bottom side of the pulley.
- Slide the belt off of the variable-speed pulley as you lift the pulley up and out through the battery tray opening.



NOTE: View shown from above tractor.

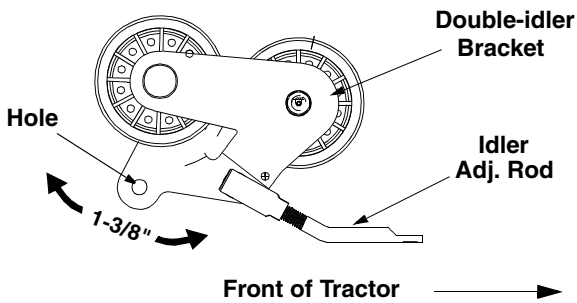
Figure 16

- Remove the hex bolt from the center of the engine pulley. See Figure 17.
- Lower the engine pulley far enough to be able to remove the upper drive belt from around it.
- Reassemble by following the above steps in reverse order.
- Reroute the new belt around the pulleys, keeper pins and belt keepers **EXACTLY** as the old one was routed. Refer to Figure 16.

IMPORTANT: When remounting the engine pulley, torque the center hex bolt to between 38 foot-pounds and 50 foot-pounds.

- Remove the drive belt by feeding it from both ends toward the front idler pulley on the double-idler bracket. See Figure 16.

The drive pedal is properly adjusted when the hole found in the double-idler bracket has approximately 1-3/8" of travel with ten pounds of pressure applied to the drive pedal. See Figure 17.



NOTE: View shown from above tractor.

Figure 17

Adjust the drive pedal after replacing the drive belts on your tractor, if necessary, as follows:

- Locate the speed control assembly on the underside of the steering support bracket. See Figure 18.

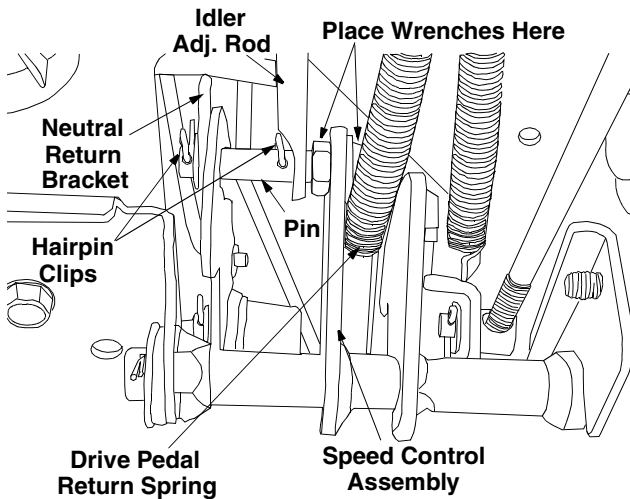


Figure 18

- Remove both hairpin clips from the pin which is fastened to the speed control assembly (be careful not to lose the small flat washers found on the pin). See Figure 18.
- Remove the drive pedal return spring.
- Using two 9/16" wrenches, remove the pin from the speed control assembly. See Figure 18.

Thread the idler adjustment rod inward or outward to lengthen or shorten the travel of the double-idler bracket until proper adjustment is achieved.

- Reassemble by following the above steps in reverse order.

CUTTING BLADES



WARNING: Cutting blades are sharp. Always protect hands by wearing heavy leather work gloves to grasp blades.

The blades may be removed for sharpening or replacement as follows.

- Remove the deck from beneath the tractor, (refer to DECK REMOVAL earlier in this section for detailed instructions) then gently flip the deck over to expose its underside.
- Place a block of wood between the center deck housing baffle and the cutting blade to act as a stabilizer. See Figure 19.
- Use a 15/16" wrench to remove the hex flange nut that secures the blade to the spindle assembly. See Figure 19.

NOTE: The hex flange nut has a right-handed (normal) thread pattern. Do NOT attempt to force the nut in the incorrect direction. Doing so may damage the nut and create a safety hazard.

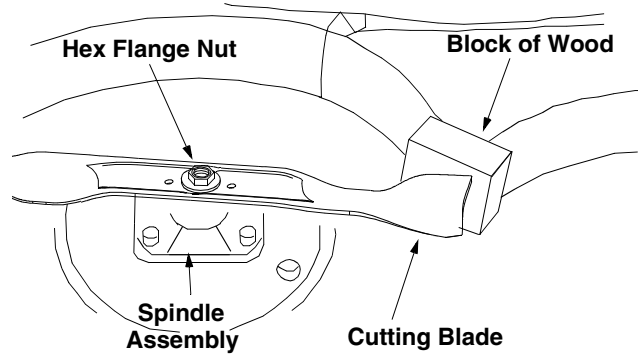


Figure 19

To properly sharpen the cutting blades, remove equal amounts of metal from both ends of the blades along the cutting edges. See Figure 20.

Sharpen the cutting edge straight across, parallel to the trailing edge, at a 25° to 30° angle. See Figure 20.

IMPORTANT: If the cutting edge of the blade has already been sharpened to within 5/8" of the wind wing radius, or if any metal separation is present, replace the blades with new ones. See Figure 20.

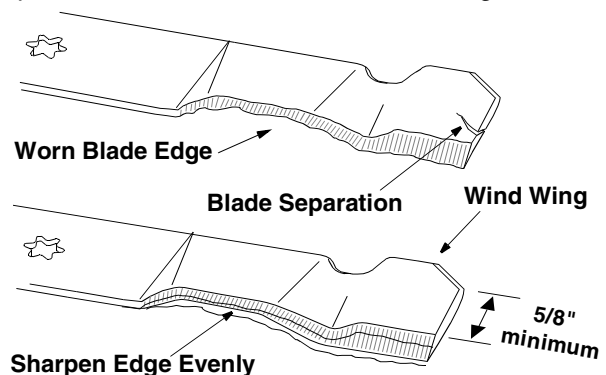


Figure 20

It is extremely important that each cutting blade edge be ground equally to maintain proper blade balance. An unbalanced blade will cause excessive vibration when rotating at high speeds, may cause damage to the tractor and result in personal injury. The blade can be tested by balancing it on a blade balancer or round shaft screwdriver. Grind metal from the heavy side until it balances evenly.

When replacing the blade, be sure to install the blade with the side of the blade marked "Bottom" (or with a part number stamped in it) facing the ground when the mower is in the operating position.

IMPORTANT: Use a torque wrench to tighten the blade spindle hex flange nut to between 70 foot-pounds and 90 foot-pounds.

TIRES

The recommended operating tire pressure is approximately 10 psi for the rear tires and 14 psi for the front tires. Refer to the tire sidewall for exact tire manufacturer's recommended psi. Do not overinflate. Uneven tire pressure could cause the cutting deck to mow unevenly.

BATTERY

The battery is sealed and is maintenance-free. Acid levels cannot be checked.

- Always keep the battery cables and terminals clean and free of corrosive build-up.
- After cleaning the battery and terminals, apply a light coat of petroleum jelly or grease to the terminals and over the positive terminal boot.
- Always keep the boot positioned over the positive terminal to prevent shorting.

IMPORTANT: If removing the battery for any reason, disconnect the **NEGATIVE (Black)** wire from its terminal first, followed by the **POSITIVE (Red)** wire. When re-installing the battery, always connect the **POSITIVE (Red)** wire its terminal first, followed by the **NEGATIVE (Black)** wire. Be certain that the wires are connected to the correct terminals, reversing them could change the polarity and cause damage to your engine's alternating system.

Charging

If the unit has not been put into use for an extended period of time, charge the battery with an automotive-type 12-volt charger for a minimum of one hour at six amps.



WARNING: Batteries give off an explosive gas during and for some time after charging. Charge battery in a well ventilated area and do not allow a spark or an open flame near the battery.

FUSE

A fuse is installed in your tractor's wiring harness to protect the tractor's electrical system from damage caused by excessive amperage. Always use the same capacity fuse for replacement. If the electrical system does not function, or your tractor's engine will not crank, first check to be certain that the fuse has not blown. It can be found under the hood mounted behind the top of dash panel on the support bar. Pull the fuse out and compare it with Figure 21 to determine if it is good or bad.

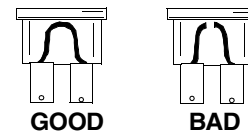


Figure 21

SECTION 11: LUBRICATION



WARNING: Always stop the engine and disconnect the spark plug wire(s) and ground against the engine before performing any maintenance.

ENGINE

Lubricate the engine with motor oil as instructed in the separate engine manual packed with your unit.

LINKAGE

Lubricate all the pivot points on the drive, brake and lift linkage at least once a season with SAE 30 engine oil.

WHEELS

Both the front wheels and the rear wheels should be removed from the axles once a season. Lubricate the axles and the rims well with an all-purpose automotive grease before re-installing them.

STEERING GEAR

Lubricate the teeth of the steering gear with an all-purpose automotive grease every 25 hours of operation or once a season.

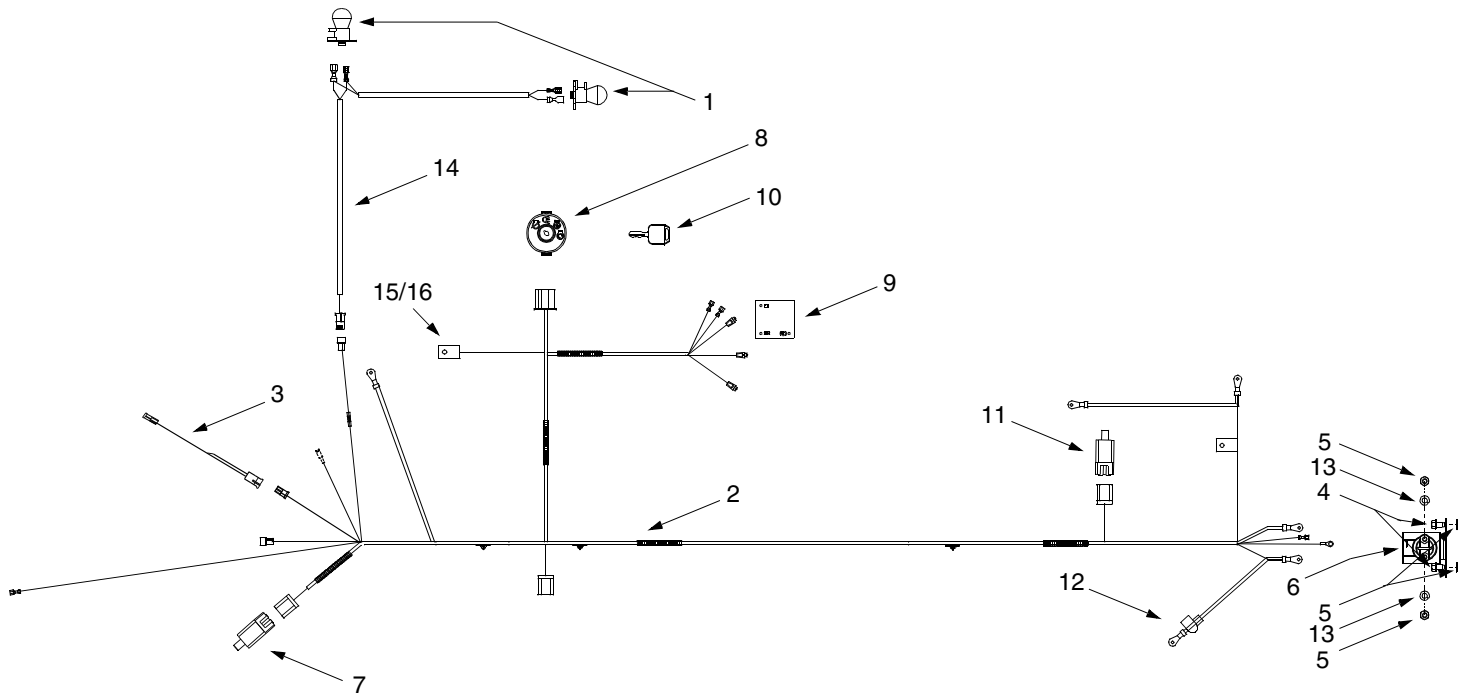
PIVOT POINTS

Lubricate all pivot points (drive pedal, brake pedal, etc.) at least once a season with light oil.

SECTION 12: TROUBLESHOOTING GUIDE

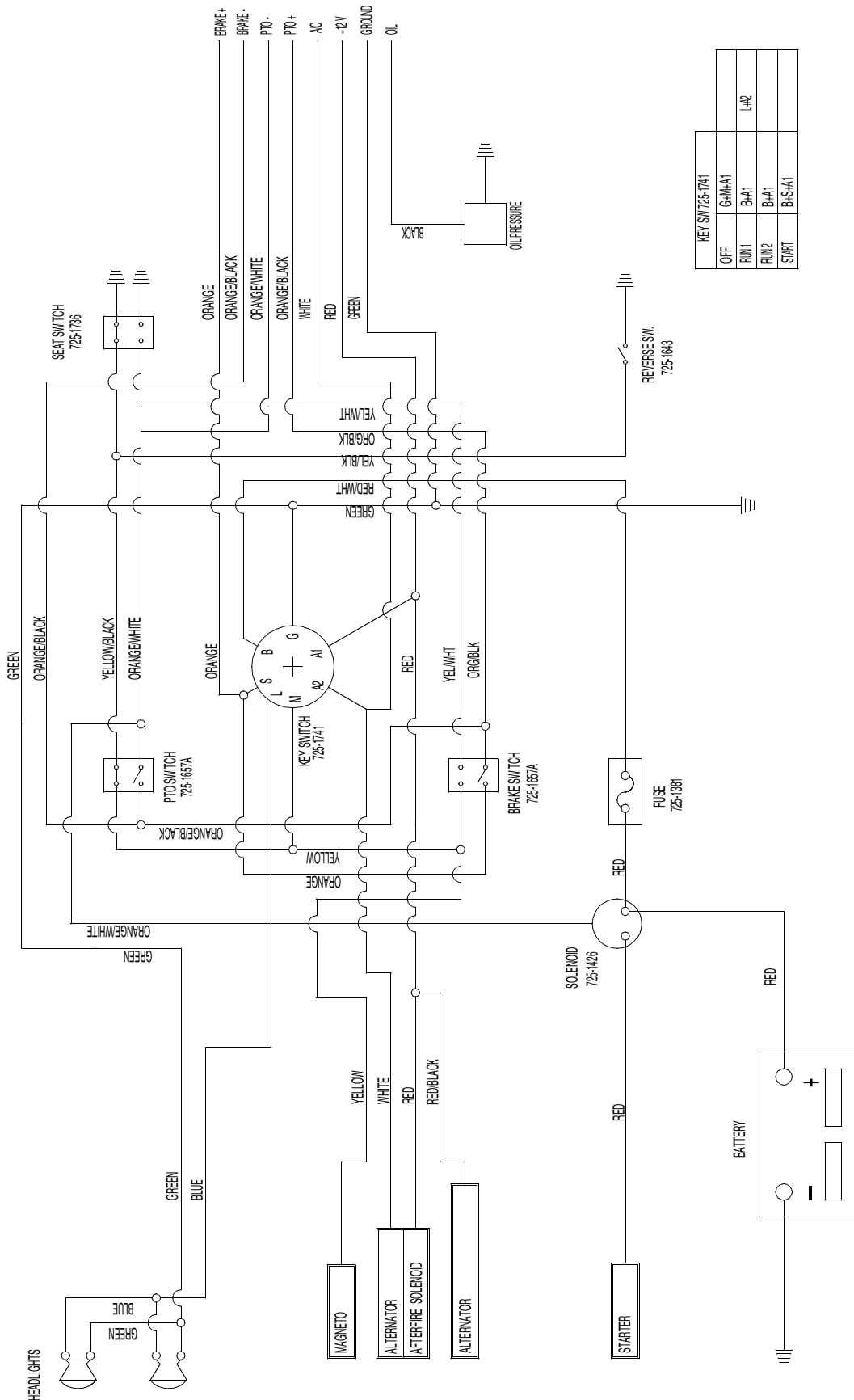
Trouble	Possible Cause(s)	Corrective Action
Engine will not crank	<p>Safety switch button not depressed.</p> <p>Battery installed incorrectly.</p> <p>Battery is dead or weak.</p> <p>Blown fuse</p>	<p>There are three safety switches in the starting circuit of your unit: the brake pedal switch, the PTO switch and the seat switch. Make certain the actuator on the brake control is fully depressing the button on the brake pedal switch and that the actuator at the base of the PTO engagement lever is fully depressing the button on the PTO switch. The operator must be seated on the tractor to activate the seat switch.</p> <p>The battery must be installed with negative terminal attached to black ground wire. Negative terminal is identified at the post by "NEG", "N" or "-". The positive terminal, identified by "POS", "P" or "+", must be attached to the thick red wire which goes to the solenoid.</p> <p>Charge at six amps with a 12-volt automotive-type battery charger for one hour or until fully charged.</p> <p>Refer to page 22 for fuse location. Replace fuse with automotive type fuse of the proper amperage. Fuses seldom fail without a reason. The problem must be corrected. Check for loose connections in the fuse holder. Replace fuse holder if necessary. A dead short may be in the cranking or charging circuit where the insulation may have rubbed through and exposed the bare wire. Replace the wire or repair with electrician's tape if the wire strands have not been damaged.</p> <p>Note: Look for a wire pinched between body panels, burned by the exhaust pipe or muffler or rubbed against a moving part.</p>
Engine cranks but will not start	<p>Throttle or choke not in starting position.</p> <p>No fuel to the carburetor.</p> <p>No spark to spark plug(s).</p> <p>Dirty aircleaner.</p>	<p>Refer to the OPERATION section of this manual for the correct position of the throttle control and choke for starting.</p> <p>Gasoline tank empty. Fill with clean, fresh fuel.</p> <p>Fuel line or in-line fuel filter plugged. Remove and clean fuel line. Replace fuel filter (if so equipped) if necessary.</p> <p>Spark plug lead disconnected. Connect lead. Using a spark tester, check for spark. If no spark is present, have engine's magneto serviced by an authorized engine dealer.</p> <p>If the air cleaner is dirty, the engine may not start. Refer to the engine manual packed with your unit.</p>
Engine smokes	<p>Engine oil has been overfilled.</p> <p>Engine loses crankcase vacuum.</p>	<p>Check oil level.</p> <p>Dipstick not seated or broken. Replace defective part.</p> <p>Engine breather defective. Replace.</p>
Excessive vibration	<p>Bent blade or damaged pulley.</p>	<p>Stop engine immediately. Check all pulleys, blade adapters, keys and bolts for tightness and spindle damage. Tighten or replace any loose or damaged parts. Always replace damaged blade. Only use original equipment blades.</p>
Mower won't discharge grass or leaves uncut strips	<p>Engine speed low.</p> <p>Speed selection.</p> <p>Cutting height set too low.</p> <p>Blades dull.</p>	<p>Throttle must be set at full throttle.</p> <p>Use lower ground speed. The slower your ground speed, the better the quality of cut. Raise deck.</p> <p>Sharpen or replace blades (uncut strip problem only).</p>

Models 607, 608 & 609

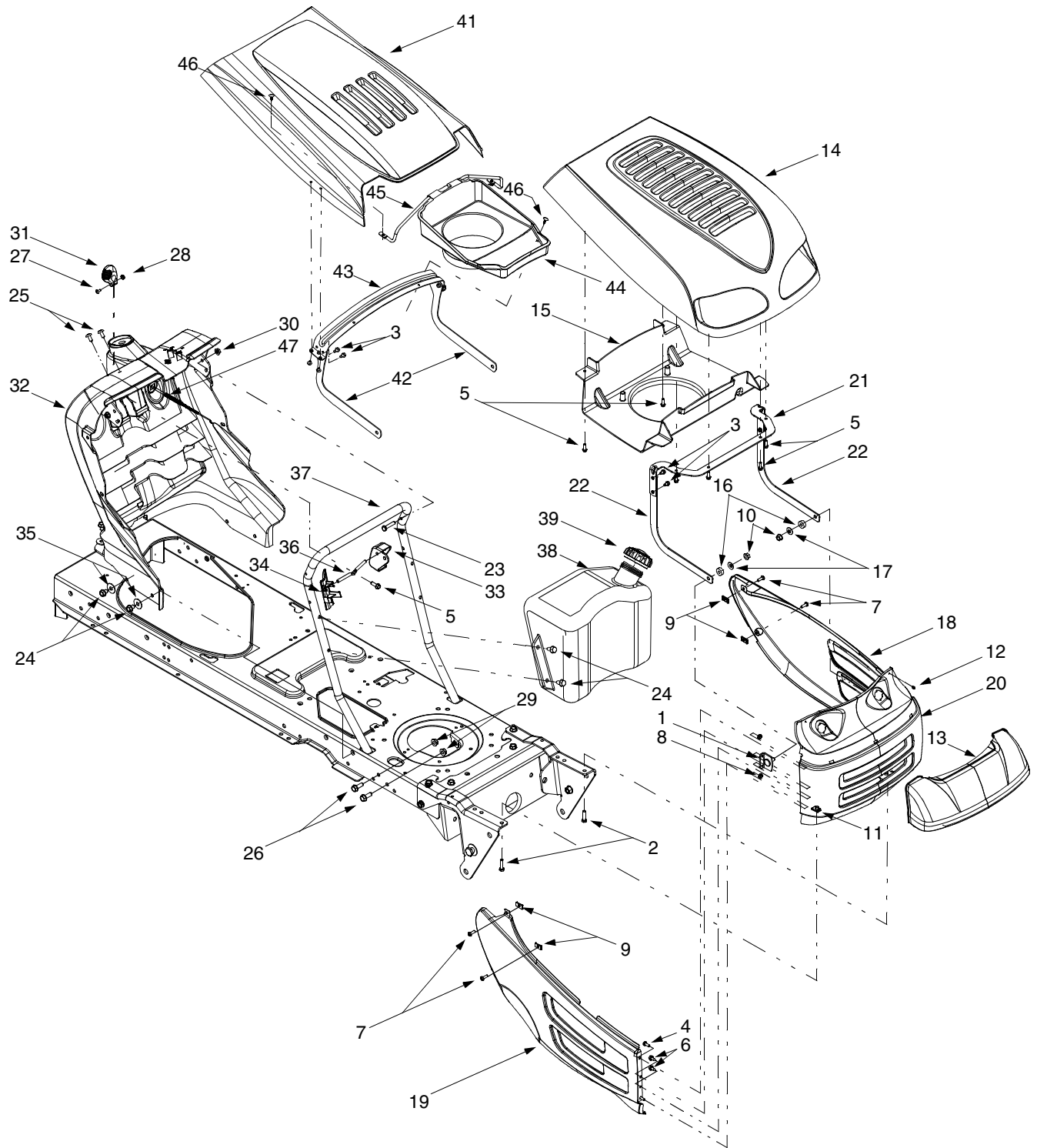


REF. NO.	PART NO.	DESCRIPTION
1	625-0051	Bulb/Socket Headlight Assembly
2	629-0944	Wiring Harness w/o Ref. 14
3	629-0126	Harness Adapter, #18 x 5
4	710-0599	Self-tapping Screw, 1/4-20 x .5
5	712-3006	Hex Nut, 1/4-20
6	725-1426	Solenoid, 12-volt, 100 Amp
7	725-1657A	Snap Mount Safety Interlock Switch (Brake)
8	725-1741	Ignition Switch
9	725-1742	Systems Indicator Monitor
10	725-1745	Ignition Key w/ plastic cover
	725-1744	Ignition Key w/o plastic cover
11	725-1747	Safety Plunger Switch (Seat)
12	725-3007A	Positive Terminal Cover (Boot)
13	736-0329	Lock Washer, 1/4
14	629-0309	Headlight Harness
15	729-0357	Fuse Holder
16	725-1381	20-amp Fuse

Electrical System



Models 607 & 608



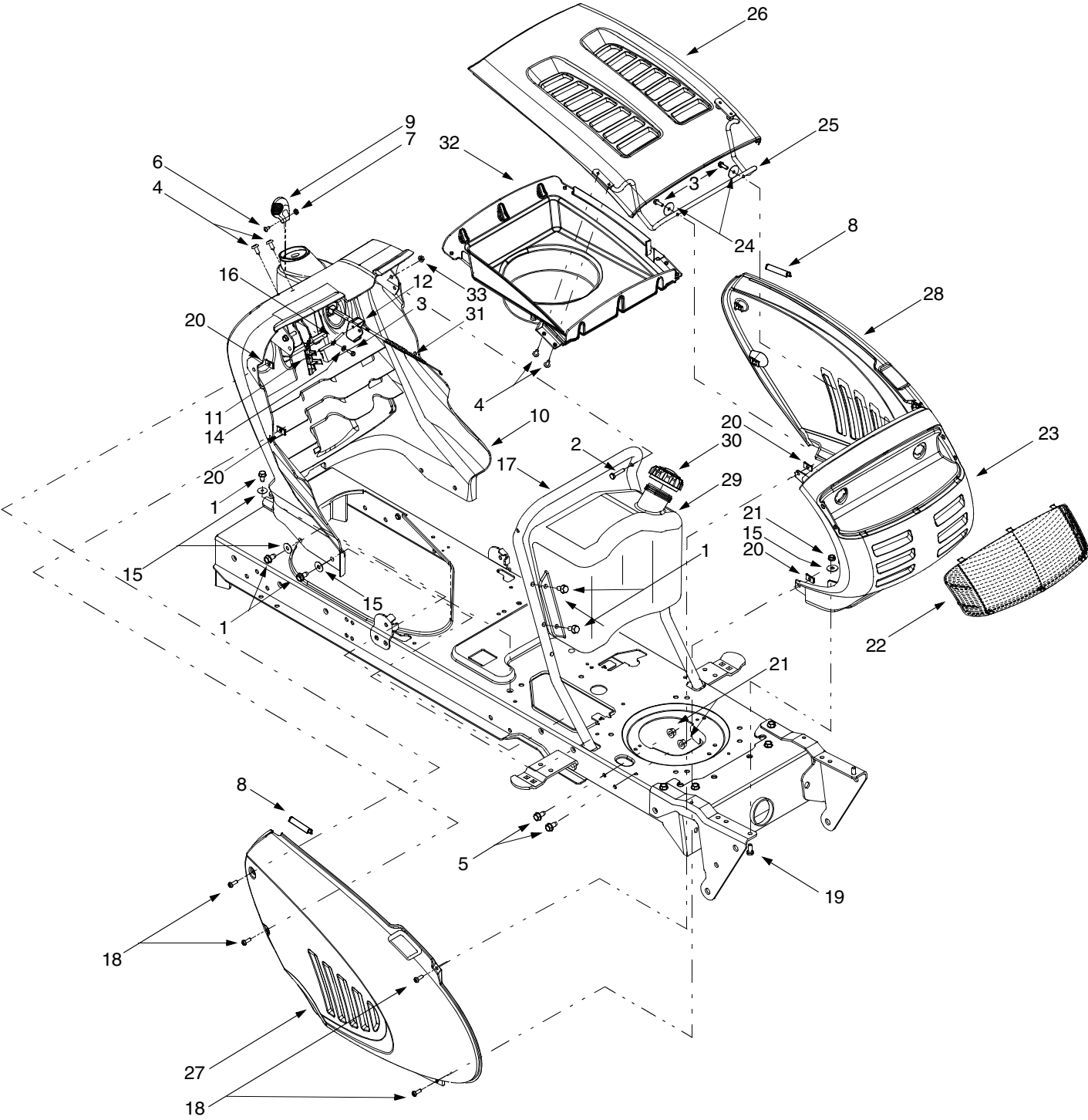
Tractor Body

REF. NO.	PART NO.	DESCRIPTION	REF. NO.	PART NO.	DESCRIPTION
1	683-0195	Bracket Assembly	29	712-3004A	Flange Lock Nut, 5/16-18
2	710-0528	Hex Cap Screw, 5/16-18 x 1.25	30	712-3027	Hex Flange Lock Nut, 1/4-20
3	710-0599	Self-tapping Screw, 1/4-20 x .5	31	731-1857	Throttle Control Knob
4	710-0751	Hex Cap Screw, 1/4-20 x .62	32	731-2122	Dash Panel
5	710-0895	Self-tapping Screw, 1/4-15 x .75	33	731-2227	Parking Brake Button
6	710-0896	Screw, 1/4-15 x .75	34	731-2228	Plastic Plug
7	710-0924	Phillips Pan Screw, 1/4-20 x .75	35	736-3078	Flat Washer, .349 x 1.0 x .063
8	712-0271	Hex Sems Nut, 1/4-20	36	747-1196	Pivot Rod
9	712-0292	U-type Speed Nut, 1/4-20	37	749-1087	Dash Support Tube
10	712-0431	Flange Lock Nut, 3/8-16	38	751-0659	Two-gallon Fuel Tank (shown)
11	726-0211	U-nut, 5/16-18		751-0658	Three-gallon Fuel Tank
12	726-0293	Retainer Nut, 3/8	39	751-0603	Fuel Cap (Fits Either Tank)
13	731-1854	Headlight Lens	40	710-1268	Screw, #10-16 x .375
14	731-2300	Hood, 7-style, Red	41	783-0478A	Hood, 8-style
	731-2301	Hood, 7-style, Green	42	783-0551A	Hood Hinge Bracket, 8-style
	731-2302	Hood, 7-style, Black	43	783-0553A	Hood Support Bracket, 8-style
	731-2303	Hood, 7-style, Charcoal Grey	44	731-2247	Heat Shield†
15	731-2306	Hood Plenum, 7-style			(Units w/ B&S OHV Twin)
16	735-0126	Rubber Washer, .87 x .33		731-2248	Heat Shield†
17	736-0105	Bell Washer, .401 x .87 x .063			(Units w/ B&S Opposed Twin)
18	783-0475	LH Side Panel	45	747-1184	Heat Shield Support Rod
19	783-0476A	RH Side Panel	46	726-3046	Ratchet Clip
20	783-0477	Grille	47	746-1085	Choke Cable/Knob †
21	783-1034	Hood Bracket, 7-style			(Units w/ B&S Opposed Twin)
22	783-1038	Hood Side Bracket, 7-style	—	OEM-190-603	Grille Guard™ Bumper Kit, Not Shown
23	710-0106	Hex Cap Screw, 1/4-20 x 1.25			(if so equipped)
24	710-0604A	Self-tapping Screw, 5/16-18 x .625		AF-47442	Bumper Assembly
25	710-1017	Truss Phillips Screw, 1/4-20 x .625		AF-44056	Clevis Pin, .5 x 1
26	710-1238	Hex Washer Screw, 5/16-18 x .625		AF-43055	Internal Cotter Pin
27	710-3217	Truss Phillips Screw, #8-32 x .375		AF-44742	Plastic Plug
28	712-0142	Hex Nut, #8-32			

†Tractors with a B&S Single-cylinder (I/C or OHV) engine have NO choke knob/cable. The choke is activated with the throttle control.

‡Tractors with a B&S Single-cylinder (I/C or OHV) engine have NO heat shield.

Model 609



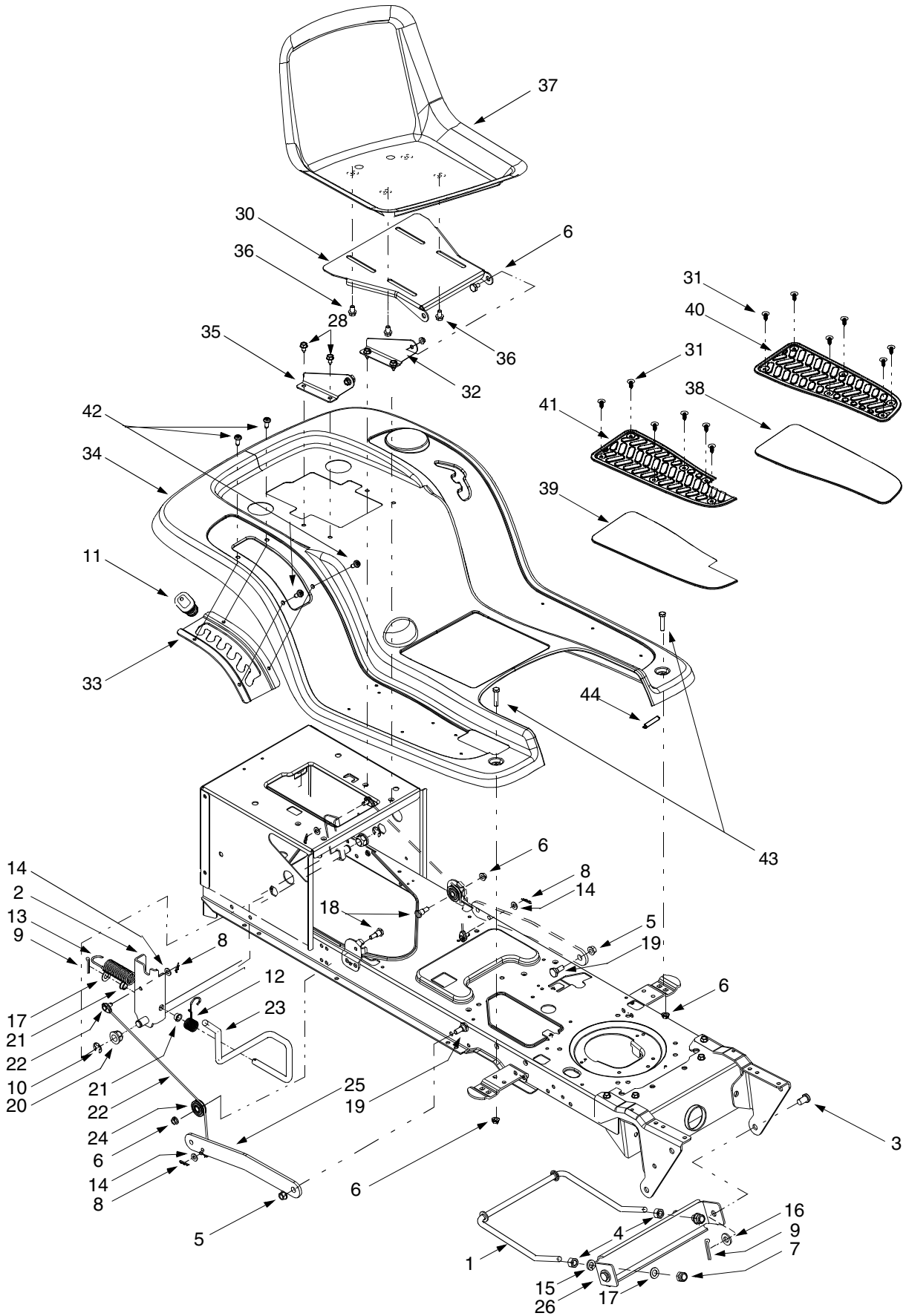
Tractor Body

REF. NO.	PART NO.	DESCRIPTION
1	710-0604A	Self-tapping Screw, 5/16-18 x .625
2	710-0788	Self-tapping Screw, 1/4-20 x 1.0
3	710-0895	Self-tapping Screw, 1/4-15 x .75
4	710-1017	Torx Self-tapping Screw, 5/16-18 x .625
5	710-1238	Screw, 5/16-18 x .875 (Grade 5)
6	710-3217	Torx Screw, #8-32 x .375
7	712-0142	Hex Nut, 8-32
8	731-0511-5	Five-inch Trim Strip
9	731-1857	Throttle Control Lever
10	731-2122	Dash Panel
11	731-2228	Plastic Plug
12	731-2227	Parking Brake Button
13	736-0119	Lock Washer, 5/16
14	736-0142	Flat Washer, .281 x .5 x .063
15	736-3078	Flat Washer, .349 x 1.0 x .063
16	747-1196	Pivot Rod
17	749-1087	Dash Support Tube
18	710-0924	Pan Phillips Screw, 1/4-20 x .75
19	710-3008	Hex Cap Screw, 5/16-18 x .75
20	712-0292	U-type Speed Nut, 1/4-20
21	712-3004A	Flange Lock Nut, 5/16-18
22	731-2118	Lens, 9-style
23	731-2119	Grille, 9-style
24	736-0211	Flat Washer, .285 x 1.25 x .08
25	747-1162	Hood Hinge Rod
26	783-0783	Hood, 9-style
27	783-0784	RH Side Pane, 9-style
28	783-0785	LH Side Panel, 9-style
29	751-0659	Two-gallon Fuel Tank (shown)
	751-0658	Three-gallon Fuel Tank
30	751-0603	Fuel Cap (Fits Either Tank)
31	746-1085	Choke Knob/Cable Assembly† (Units w/ B&S Opposed Twin or OHV Twin)
32	731-2270	Hood Plenum (Units w/ B&S OHV V-Twin)‡
	731-2271	Hood Plenum (Units w/ B&S Opposed Twin)‡
33	712-3027	Hex Flange Lock Nut, 1/4-20

†Units with B&S Single-cylinder (I/C or OHV) engines have NO choke knob/cable. The choke is activated with the throttle control.

‡Units with B&S Single-cylinder (I/C or OHV) engines have NO hood plenum.

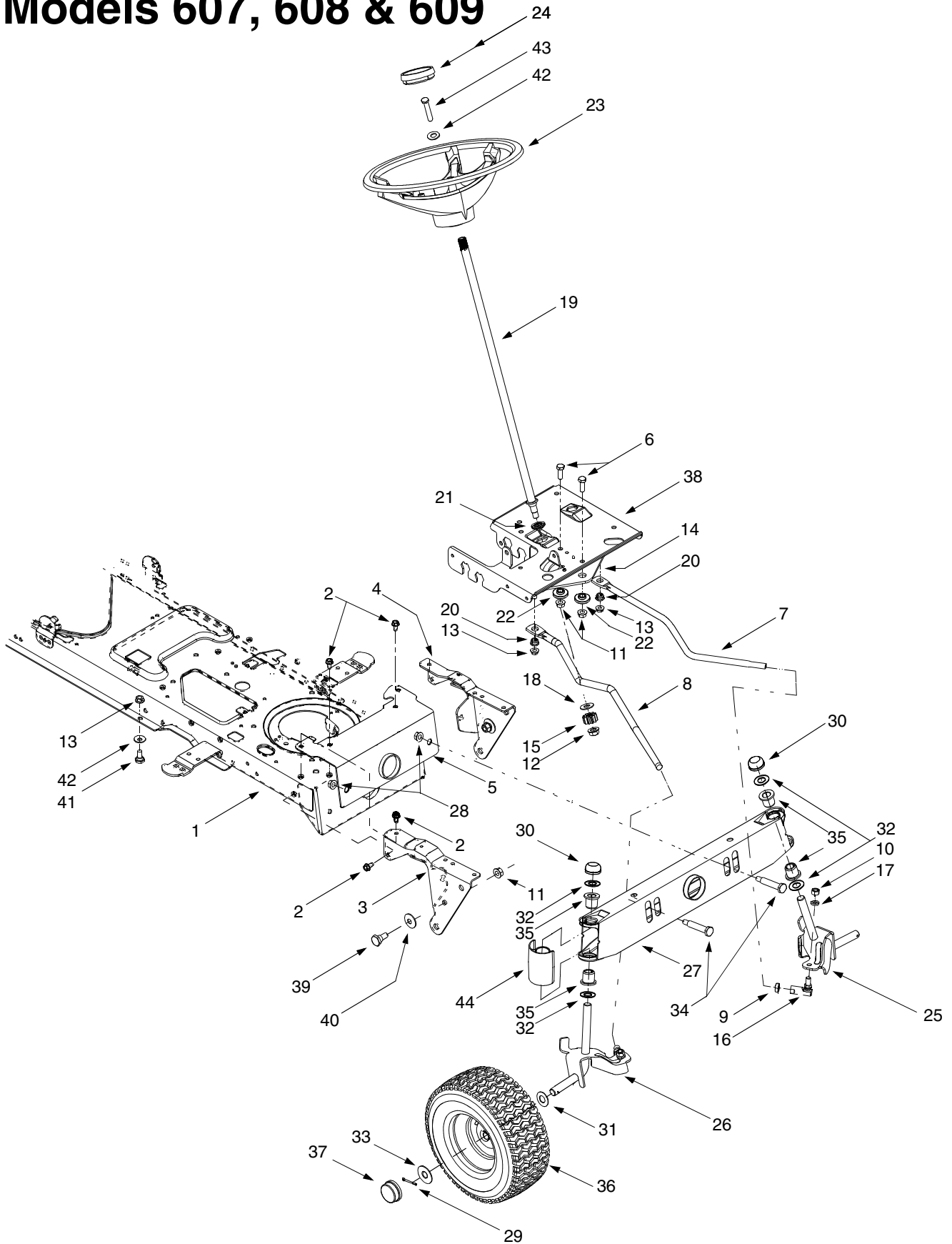
Models 607, 608 & 609



Lift Assembly

REF. NO.	PART NO.	DESCRIPTION
1	747-1130	Deck Stabilizer Rod
2	683-0197	Lift Shaft Assembly
3	711-0332	Clevis Pin, .5 x .78
4	712-0206	Hex Nut, 1/2-13
5	712-0431	Flange Lock Nut, 3/8-16
6	712-3004A	Flange Lock Nut, 5/16-18
7	712-3083	Hex Nut, 1/2-13
8	714-0104	Internal Cotter Pin
9	714-0111	Cotter Pin
10	716-0106	E-ring
11	720-0311	Handle Grip
12	732-0874	Torsion Spring
13	732-0934	Lift-assist Spring, 1.15 x 5.99 (Found on Units w/ 46-inch Deck Only)
14	736-0275	Flat Washer, 5/16
15	736-0921	Lock Washer, 1/2
16	736-3019	Flat Washer, .31 x 1.062 x .134
17	736-3084	Flat Washer, .51 x 1.12 x .06
18	738-0138	Hex Cap Screw, 5/16-18 x .62
19	738-0380	Shoulder Screw, .5 x .27, 3/8-16
20	741-0225	Hex Flange Bearing
21	741-0715	Snap Flange Bearing
22	746-0968	Lift Cable, 16.16
23	747-1111	Lift Handle
24	756-1154	Roller Pulley
25	783-0678	Arm Lift
26	783-0720A	Deck Stabilizer Bracket
27	710-0260	Carriage Bolt, 5/16-18 x .62
28	710-0604A	Self-tapping Screw, 5/16-18 x .625
29	710-0895	Self-tapping Screw, 1/4-15 x .75
30	783-0740	Seat Pivot Bracket
31	726-3046	Foot Pad Clips
32	738-0155	Shoulder Screw, .437 x 1.62
33	783-1010	Lift Adjustment Bracket
34	783-0839	Fender
35	783-0715	Seat Mounting Bracket
36	710-0870	Hex Washer Head Screw, 3/8-16 x .625
37	757-0360A	Seat, Medium Back
	757-0348A	Seat, High Back (if so equipped)
	757-0350	Seat, High Back w/ Drain Holes (if so equipped)
38	723-0483	LH Abrasive Foot Pad
39	723-0484	RH Abrasive Foot Pad
40	735-0657	LH Rubber Foot Pad (if so equipped)
41	735-0656	RH Rubber Foot Pad (if so equipped)
42	710-1611	Self-tapping Screw, 5/16-18 x .75
43	710-0260	Hex Cap Screw, 5/16-18 x .62
44	731-0511-5	Trim Strip, 1.5

Models 607, 608 & 609



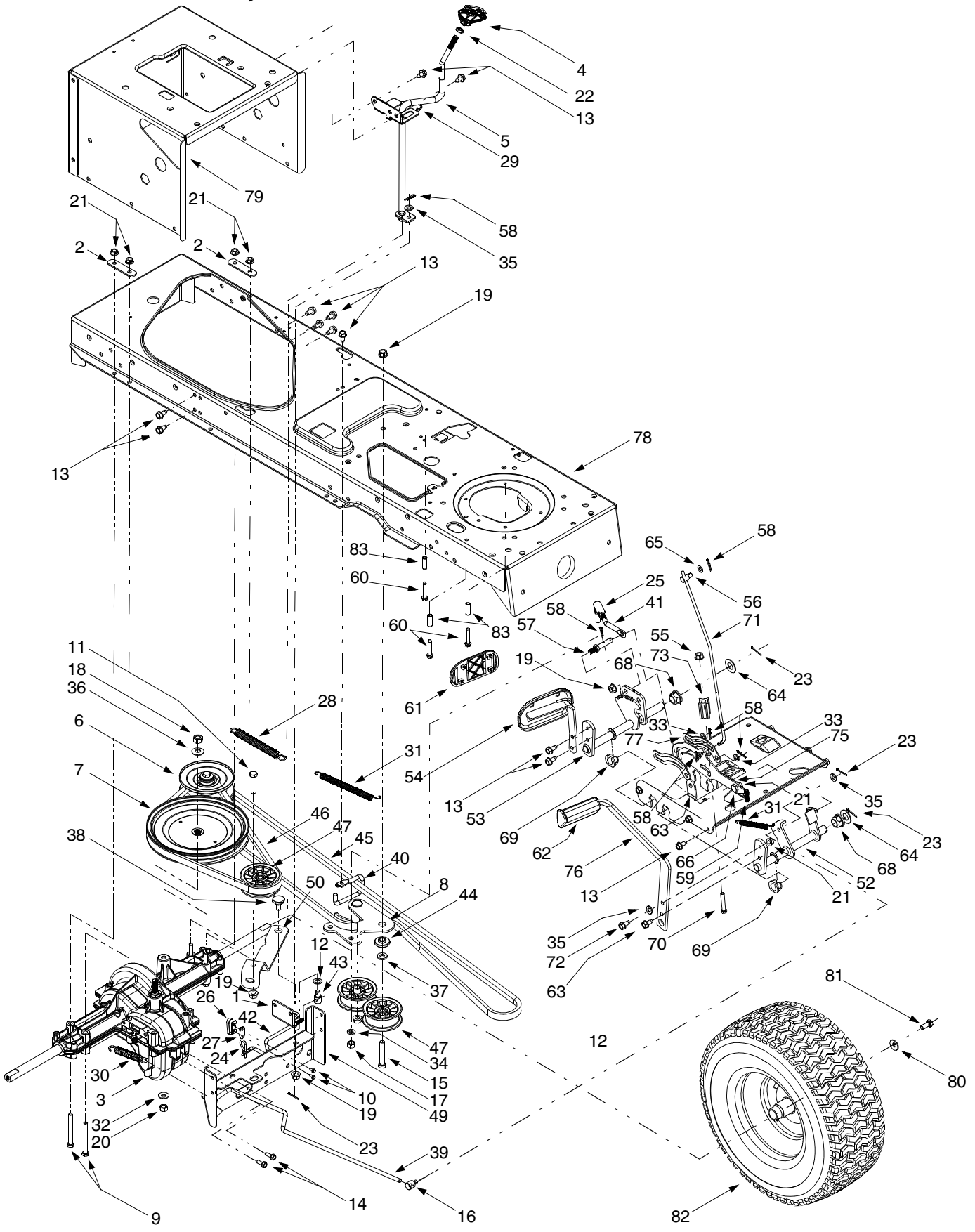
Steering Assembly

REF. NO.	PART NO.	DESCRIPTION	REF. NO.	PART NO.	DESCRIPTION
1	683-0304	Lower Frame Assembly	28	712-0431	Flange Lock Nut, 3/8-16
2	710-0604A	Self-tapping Screw, 16-18 x .625	29	714-0470	Cotter Pin
3	783-0726A	RH Pivot Support Bracket	30	726-0214	Push Cap, .625
4	783-0727	LH Pivot Support Bracket		726-0341	Push Cap, .750
5	783-0728	Pivot Bar Bracket	31	736-0162	Flat Washer, .64 x 1.0 x .12
6	710-0514	Hex Cap Screw, 3/8-16 x 1 (Grade 5)	32	736-0187	Flat Washer, .64 x 1.24 x .06
7	711-1409A	LH Drag Link		736-0316	Flat Washer, .78 x 1.59 x .06
8	711-1408	RH Drag Link	33	736-0285	Flat Washer, .635 x 1.589 x .06
9	712-0240	Jam Nut, 7/16-20 (Grade 2)	34	738-1011	Shoulder Screw, .5 x 2.2, 3/8-16
10	712-0241	Hex Nut, 3/8-24 (Grade 2)	35	741-0659	Flange Bearing, .632 ID x .937 OD
11	712-0431	Flange Lock Nut, 3/8-16		741-0660	Flange Bearing, .760 ID x .937 OD
12	712-0459	Flange Lock Nut, 7/16-20	36	634-0105A	Wheel Assembly Complete, 15 x 6 x 6 Square Shoulder
13	712-3004A	Flange Lock Nut, 5/16-18		634-0056A	Wheel Assembly Complete, 15 x 6 x 6 Round Shoulder
14	717-1550A	Steering Gear, 11/90 Ratio		634-0172	Rim Only
15	717-1554	Steering Pinion Gear		734-0255	Air Valve (Not Shown)
16	723-0448A	Ball Joint, 7/16-20		734-1731	Tire Only, Square Shoulder
17	736-0169	Lock Washer, 3/8		734-0864	Tire Only, Round Shoulder
18	736-3084	Flat Washer, .51 x 1.12 x .06		741-0487A	Plastic Flange (Not Shown)
19	738-1001A	Steering Shaft, .625 OD x 24.4		741-0706	Plastic Flange w/ Fitting (Not Shown)
20	741-0475	Plastic Bushing, .38 ID	37	734-0484A	Hub Cap
21	741-0656	Hex Flange Bearing, 5/8	38	783-0653C	Steering Support Bracket
22	738-0372	Shoulder Spacer, .38 ID	39	738-0143	Shoulder Screw, 3/8-16
23	631-0027	Steering Wheel	40	736-0331	Bell Washer, .39 x 1.13 x .062
	731-1687	Steering Wheel (MTD)	41	738-0140	Shoulder Screw, .435 x .178, 5/16 x .56
24	731-0220	Steering Wheel Cap	42	736-0242	Bell Washer, .34 x .872
	731-1459A	Steering Wheel Cap w/ Icon	43	710-0643	Hex Bolt, 5/16-18 X 1
25	638-0019	LH Axle Assembly, .625 Diameter	44	731-1649	End Cap
	638-0021	LH Axle Assembly, .625 / .750 Diameter		731-1291A	End Cap w/ Fitting (if so equipped)
26	638-0020	RH Axle Assembly, .625 Diameter			
	638-0022	RH Axle Assembly, .625 / .750 Diameter			
27	683-0128A	Pivot Bar			

NOTE: Units equipped with a 42-inch deck have axles with a .625 diameter.

Units equipped with a 46-inch deck have axles with a .625 / .750 diameter.

Models 607, 608 & 609

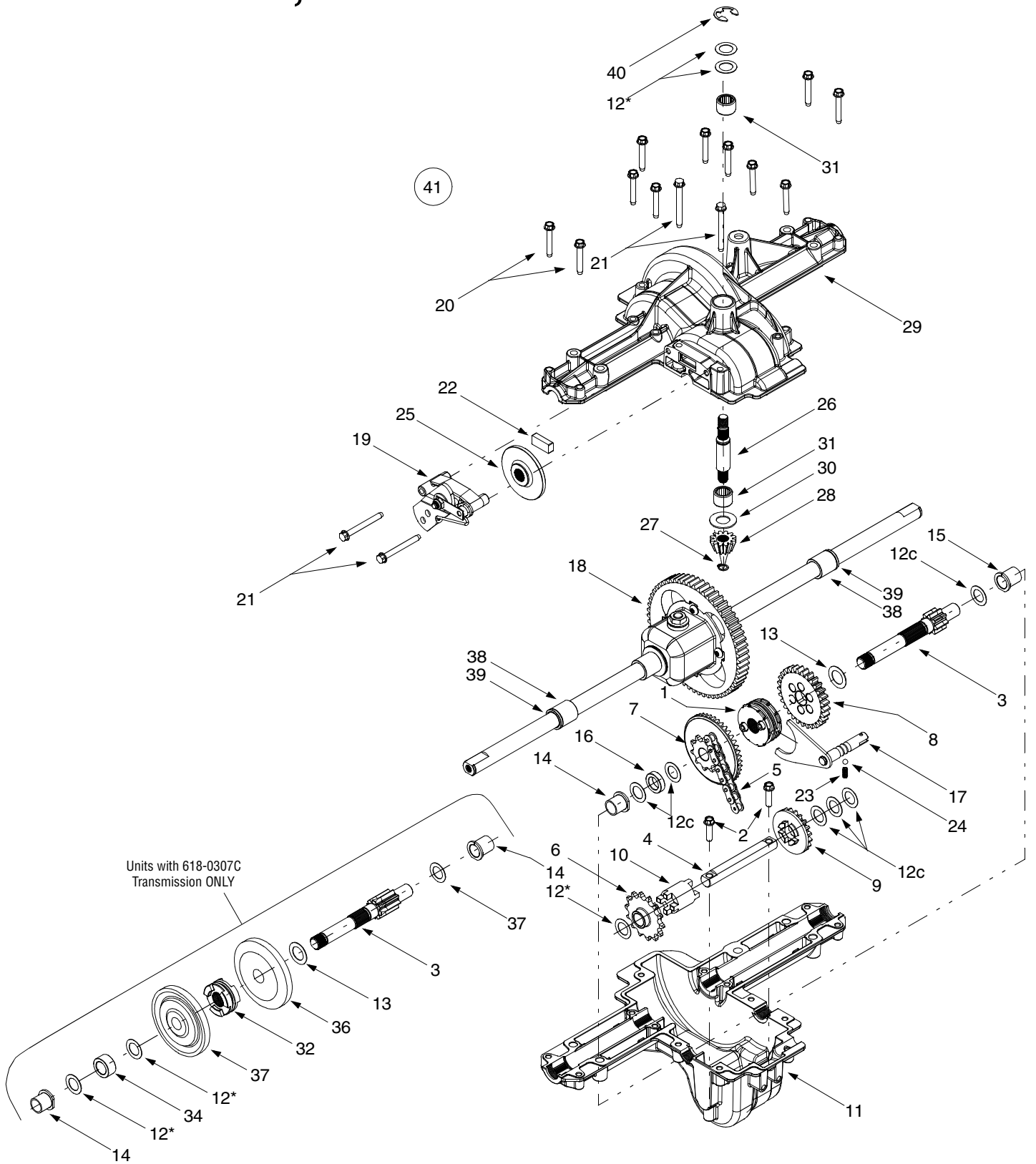


Drive System

REF. NO.	PART NO.	DESCRIPTION	REF. NO.	PART NO.	DESCRIPTION
1	783-1015	Shift Lever Support	47	756-0981	Flat Idler, 2.75 OD
2	17840	Transaxle Mounting Bracket	48	783-0637	Shift Lever Support
3	618-0307C	Single-speed Transmission Assembly	49	783-0667A	Transmission Torque Bracket
4	631-0009	Shifter Knob	50	783-0669	Idler Bracket
5	647-0045	Shift Lever	51	783-0714	Adjustable Shift Bracket
6	656-0048	Variable-speed Pulley Assembly	52	647-0031	Brake Control Assembly
7	656-0051A	Transmission Pulley, 8.5 x .5-36	53	647-0032	Speed Control Assembly
8	683-0251	Double-idler Bracket	54	683-0266	Drive Pedal Assembly
9	710-0176	Hex Cap Screw, 5/16-18 x 2.75	55	712-0431	Flange Lock Nut, 3/8-16
10	710-0227	Self-tapping Screw, #8-18 x .5	56	711-0736	Ferrule, 1/4-20
11	710-0347	Hex Cap Screw, 3/8-16 x 1.75	57	711-1363	Pin, 3/8-16 x 2.43
12	736-0272	Flat Washer, .51 x 1.0 x .060	58	714-0104	Cotter Pin
13	710-0604A	Self-tapping Screw, 5/16-18 x .625	59	732-0437	Compression Spring, .34 OD x 1.0
14	710-0642	Self-tapping Screw, 1/4-20 x .75	60	710-0778	Self-tapping Screw, 1/4-20 x 1.5
15	710-3011	Hex Cap Screw, 3/8-16 x 2.25	61	735-0662	Drive Pedal Pad
16	711-0677	Ferrule, 5/16-18	62	735-3049	Brake Pedal Pad
17	712-0241	Hex Nut, 3/8-24	63	710-1650	Self-tapping Screw, 5/16-18 x .875
18	712-0378	Hex Nut, 7/16-20	64	736-0187	Flat Washer, .64 x 1.24 x .06
19	712-0431	Flange Lock Nut, 3/8-16	65	736-0204	Flat Washer, .344 x .062 x .03
20	712-0798	Hex Nut, 3/8-16	66	738-0155	Shoulder Screw, .437 x 1.62
21	712-3004A	Flange Lock Nut, 5/16-18	67	738-0507B	Shoulder Screw, .5 x .434
22	712-3008	Jam Nut, 3/8-16	68	741-0225	Hex Flange Bearing
23	714-0111	Cotter Pin	69	741-3065A	Split Hex Flange Bearing
24	714-0149B	Internal Cotter Pin	70	710-0859	Hex Cap Screw, 3/8-16 x 2.5
25	723-3018	Ball Joint	71	747-1138	Brake Lock Control Rod
26	725-1644	Short Spring Switch	72	710-1260A	Self-tapping Screw, 5/16-18 x .75
27	726-0320	Insulator Nut Plate	73	748-0415A	Spacer, 5/16 x 1.54
28	732-0384	Extension Spring, .62 Dia. x 6.12	74	783-0653C	Steering Support Bracket
29	732-0525	Compression Spring Clip	75	783-0732	Drive Lockout Bracket
30	732-0716	Extension Spring, .59 OD x 4	76	783-0773	Brake Pedal
31	732-0963	Extension Spring, .50 Dia. x 6.37 (hooks to flange, 783-0650, in frame)	77	783-0780A	Neutral Return Bracket
32	736-0105	Bell Washer, .401 x .87 x .063	78	683-0304	Lower Frame Assembly
33	736-0140	Flat Washer, .385 x .62 x .063	79	783-1031	Hitch Plate
34	736-0169	Lock Washer, 3/8	80	736-0242	Bell Washer, .34 x .872
35	736-0275	Flat Washer, 5/16	81	710-0627	Hex Cap Screw, 5/16-24 x .75
36	736-0407	Bell Washer, .45 x 1.0 x .602	82	634-0177	Wheel Assembly Complete
37	736-3010	Flat Washer, .407 x .812 x .135		634-0104	20 x 10 x 8 Square Shoulder Wheel Assembly Complete
38	738-0322	Shoulder Screw, .625 x .217		734-1675	20 x 8 x 8 Square Shoulder Wheel Assembly Complete
39	747-1122	Brake Rod		634-0070	20 x 8 x 8 Round Shoulder Rim Only
40	747-1123A	Belt Guard		734-0255	Air Valve (Not Shown)
41	747-1127	Idler Adjustment Rod, 3/8		734-1873	Tire Only, 20 x 10 x 8, Square Shoulder
42	747-1156	Shift Rod		734-1730	Tire Only, 20 x 8 x 8, Square Shoulder
43	711-0736	Adjustment Ferrule, 1/4-20 x 1.0		734-1596	Tire Only, 20 x 8 x 8, Round Shoulder
44	748-0372	Shoulder Spacer, .38 ID	83	750-0556	Spacer
45	754-0467	Variable-speed Belt			
46	754-0468	Drive Belt			

IMPORTANT: The V-belts found on your tractor are specially designed to engage and disengage safely. A substitute (non-OEM) V-belt can be dangerous by not disengaging completely. For a proper working machine, use factory approved belts.

Models 607, 608 & 609



Single-speed Transmission

REF. NO.	PART NO.	DESCRIPTION
1	618-0318	Clutch Collar†
2	710-0788	Self-tapping Screw, 1/4-20 x 1.0
3	711-1274	Drive Shaft
4	711-1280	Counter Shaft
5	713-0474	22-link Chain, #420
6	713-0478	14-tooth Sprocket
7	717-1422	Sprocket Bevel Gear, 42/10
8	717-1565	29-tooth Spur Gear
9	717-1569	20-tooth Spur Gear
10	718-0652	Counter Shaft Coupling
11	719-0394	Lower Housing
12a	736-0336	Flat Washer, 5/8 x 1.0 x .030*
12b	736-0337	Flat Washer, 5/8 x 1.0 x .040*
12c	736-0349	Flat Washer, 5/8 x 1.0 x .020*
13	736-0519	Flat Washer, .70 x 1.125 x .031
14	741-0336	Flange Bearing, 5/8 x 3/4 x 3/4
15	741-0337	Flange Bearing, 5/8 x 3/4 x 15/16
16	750-1238	Spacer, .635 x 1.0 x .27
17	611-0112	Detent Shaft Assembly†
	611-0133	Detent Shaft Assembly‡
18	618-0369	Differential Assembly†
	618-0424	Differential Assembly‡
19	661-0006	Brake Assembly
20	710-1325	Self-tapping Screw, 1/4-20 x 1.625
21	710-1206	Self-tapping Screw, 1/4-20 x 2.375
22	717-0678	Brake Pad
23	732-0863	Compression Spring
24	741-0862	Detent Ball
25	761-0202	Brake Disc
26	711-1331	Input Shaft†
	711-1430	Input Shaft‡
27	716-0385	Retaining Ring, .394†
	716-0108	Retaining Ring, .437‡
28	717-1571	12-tooth Bevel Pinion†
	717-1464	14-tooth Bevel Pinion‡
29	719-0391A	Upper Housing
30	736-0335	Thrust Washer, .63 x 1.24 x .062†
	736-0723	Thrust Washer, .635 x 1.25 x .042‡
31	741-0525	Needle Bearing, .625 x .875
32	718-0228	Clutch Collar†
33	711-1431	Drive Shaft‡
34	750-1234	Spacer, .633 x 1.0 x .513
35	717-1362	42-tooth Bevel Gear‡
36	717-1363	42-tooth Bevel Gear‡
37	736-0495	Thrust Washer, 1.0 x .632 x .0
38	741-0340	Sleeve Bearing, .75 x .1.0 x 1.0
39	721-0338	Seal, .75 x 1.0 x .125
40	716-0231	E-ring, .75
41	618-0551	Transmission Assembly Complete

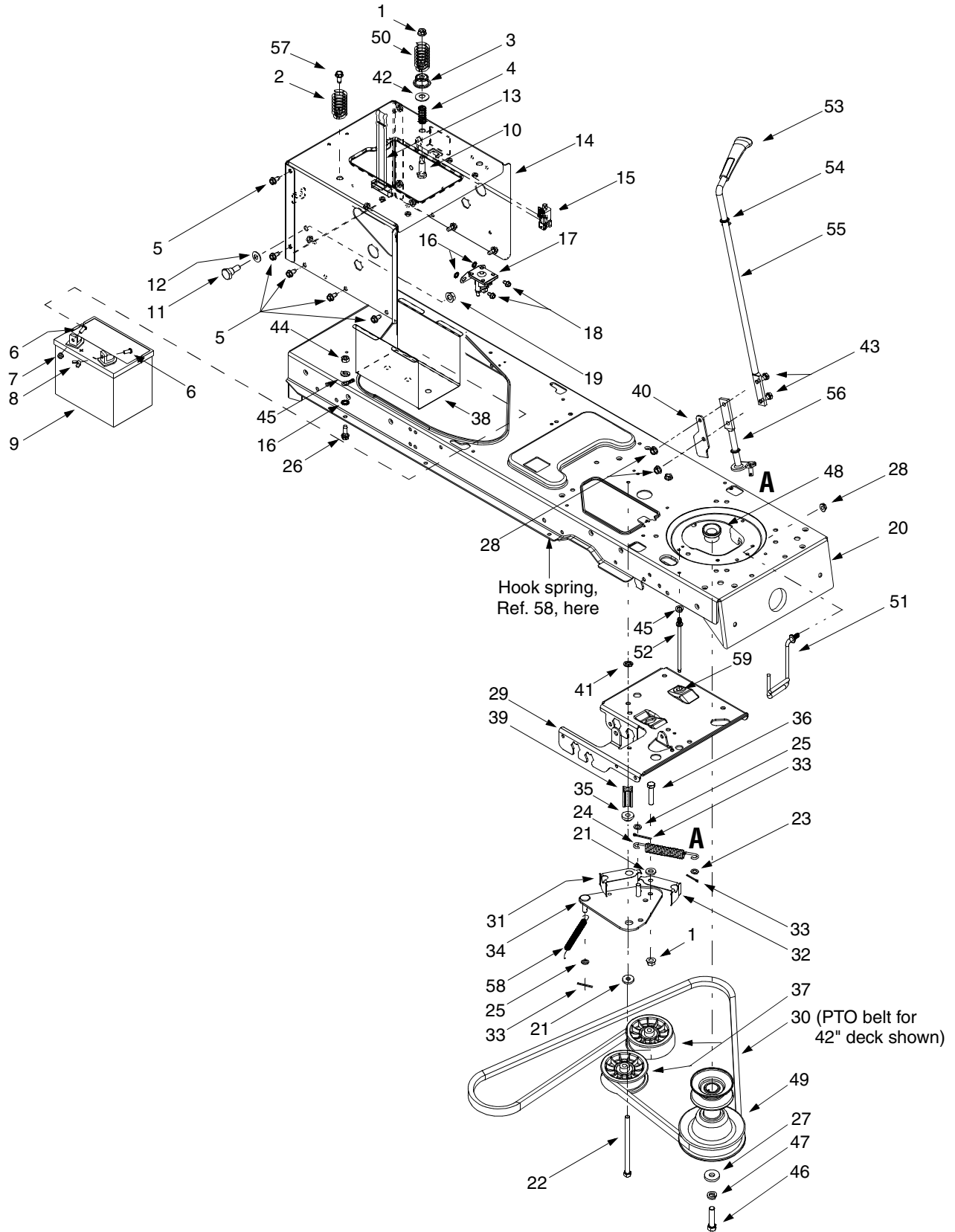
*If rebuilding transmission for any reason, use applicable flat washer (12a, 12b, or 12c) in this application allowing proper end play as instructed in MTD's Service Manual.

IMPORTANT: One of two different transmissions may be found on your lawn tractor (618-0307B & 618-0307C). Refer to the model plate found on the rear right portion of the transmission's lower housing before ordering replacement service parts.

†Used on Single-speed transmission 618-0307B ONLY.

‡Used on Single-speed transmission 618-0307C ONLY.

Models 607, 608 & 609

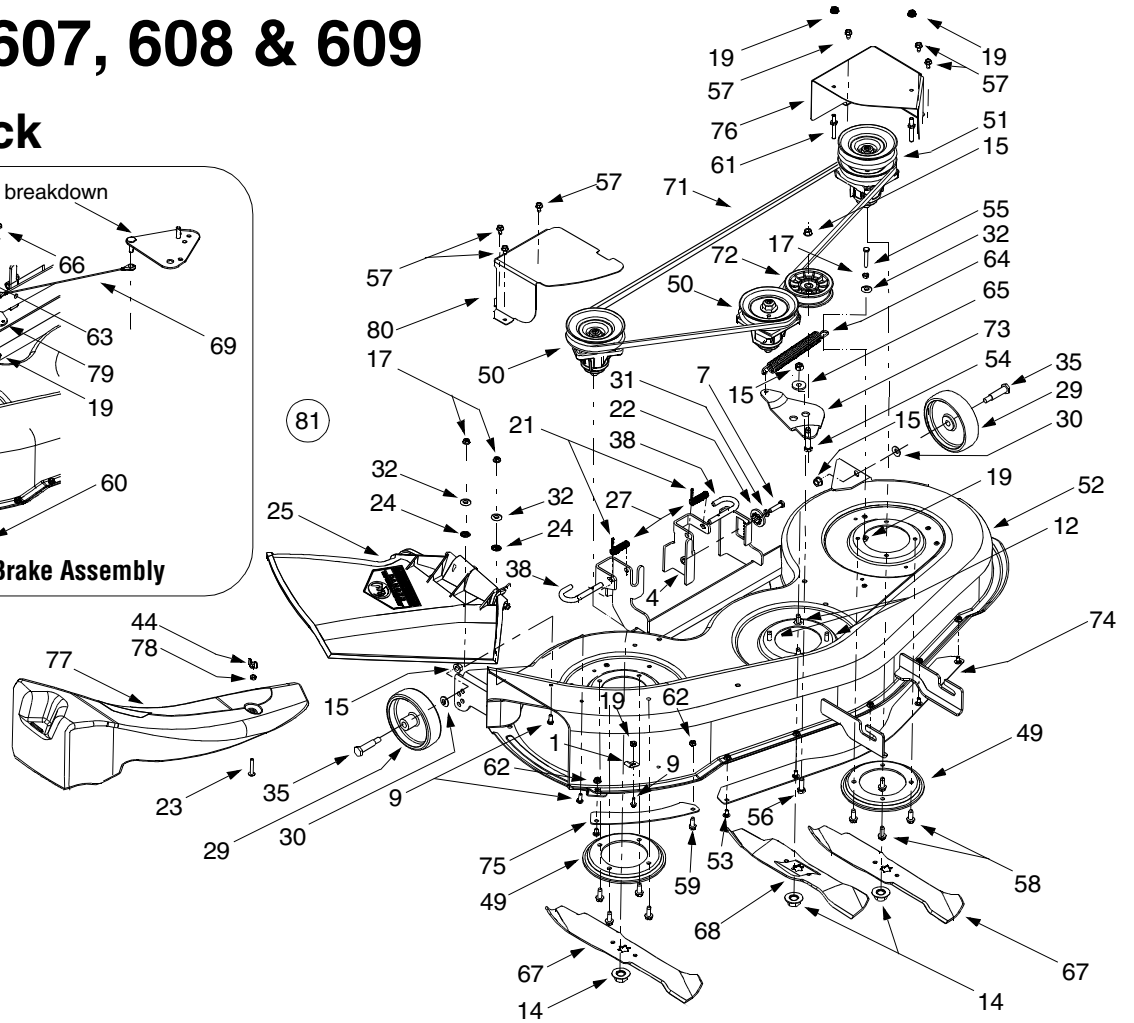
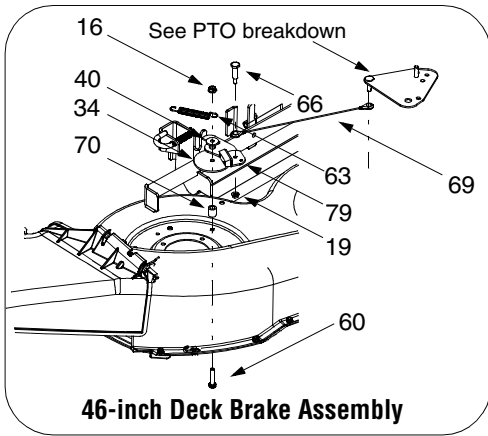


Power Take-off System

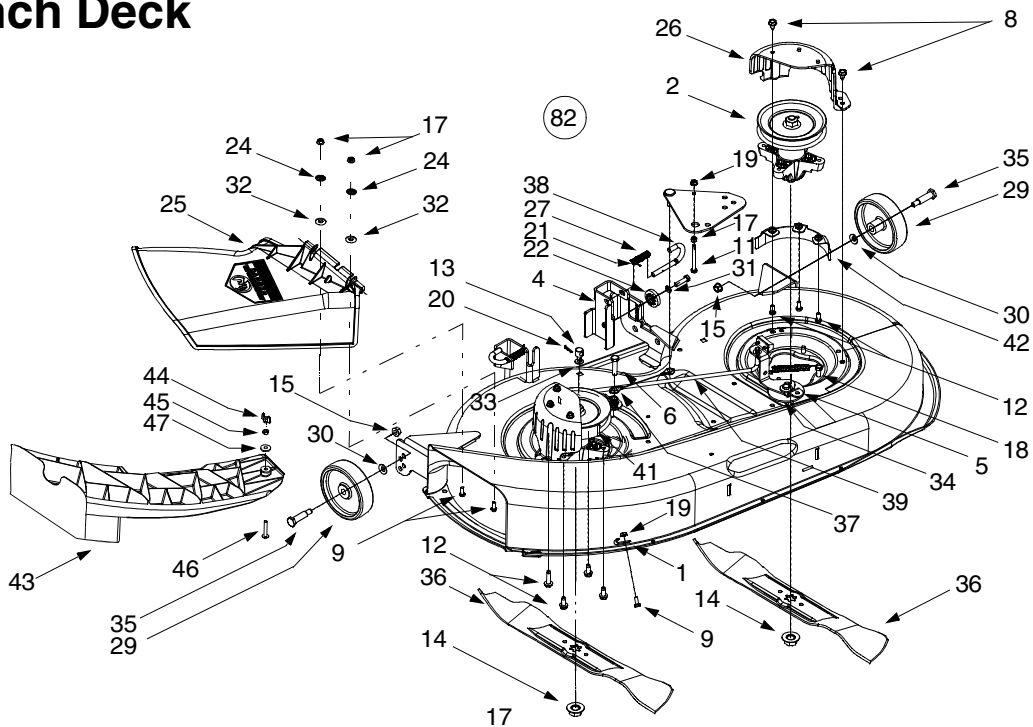
REF. NO.	PART NO.	DESCRIPTION	REF. NO.	PART NO.	DESCRIPTION
1	712-0431	Flange Lock Nut, 3/8-16	31	732-0991	Belt Guard
2	732-0996	Compression Spring, 1.31 x 3.0	32	732-0990	Belt Guard
3	783-0733	Spacer Cup, 1.5 OD	33	714-0470	Cotter Pin, 1/8 x 1.25
4	732-0997	Compression Spring, .66 OD x 1.5	34	683-0302	PTO Engagement Plate
5	710-0604A	Self-tapping Screw, 5/16-18 x .625	35	738-0372	Shoulder Spacer
6	710-0751	Hex Cap Screw, 1/4-20 x .62	36	710-3011	Hex Cap Screw, 3/8-16 x 2.25 (Grade 5)
7	712-0271	Hex Sems Nut, 1/4-20	37	756-0627	Flat Idler Pulley, 3.5 OD
8	712-3044	Wing Nut, 1/4-20	38	783-0349	Battery Tray
9	725-1706	12-volt Battery, 270 CCA	39	748-0415A	Spacer, 3/8 x 1.54
10	738-1014	Shoulder Screw, .5 x 1.25, 3/8-16	40	783-0744A	Engagement Stop Bracket
11	738-1020	Shoulder Screw, .625 x .5, 7/16-20	41	712-0229	Push Nut, 3/8
12	736-0407	Bell Washer, .45 x 1.0 x .062	42	736-0105	Bell Washer, .401 x .870 x .063
13	723-0444	Battery Strap	43	710-0376	Hex Cap Screw, 5/16-18 x 1.0
14	783-1031	Hitch Plate	44	712-3006	Hex Nut, 1/4-20
15	725-1747	Safety Interlock Plunger Switch	45	736-0119	Lock Washer, 5/16
16	736-0222	Lock Washer, 1/4	46	710-3029	Hex Cap Screw, 7/16-20 x 1.25
17	725-1426	Solenoid, 12-Volt, 100 Amp	47	736-0171	Lock Washer, 7/16
18	710-0599	Self-tapping Screw, 1/4-20 x .5	48	750-0956	Spacer
19	712-0459	Flange Lock Nut, 7/16-20	49	756-0982A	Engine Pulley
20	683-0304	Lower Frame Assembly	50	732-0735	Extension Spring, 1.318 x 2.37
21	736-3010	Flat Washer, .407 x .812 x .135	51	647-0053	Belt Guard
22	710-0831	Hex Cap Screw, 3/8-16 x 5.5	52	711-1044	Keeper Pin
23	736-0275	Flat Washer, .344 x .688 x .065†	53	731-2111A	PTO Knob
24	732-0944	Extension Spring, .75 x 5.39	54	736-0108	Flat Washer, .510 x .750 x .033
25	736-0140	Flat Washer, .385 x .62 x .063	55	747-1112A	PTO Handle
26	710-0642	Self-tapping Screw, 1/4-20 x .750	56	647-0046	PTO Lever
27	736-0322	Flat Washer, .45 x 1.25 x .164	57	710-0650	Self-tapping Screw, 15/16-18 x .875
28	712-3004A	Flange Lock Nut, 5/16-18	58	732-0995	Extension Spring, .5 x 6.0
29	783-0653C	Steering Support Bracket	59	741-0708	Hex Split Flange Bearing
30	754-0485	PTO Belt (42-inch Decks w/ Manual PTO)			
	754-0486	PTO Belt (46-inch Decks w/ Manual PTO)			

Models 607, 608 & 609

46-inch Deck



42-inch Deck

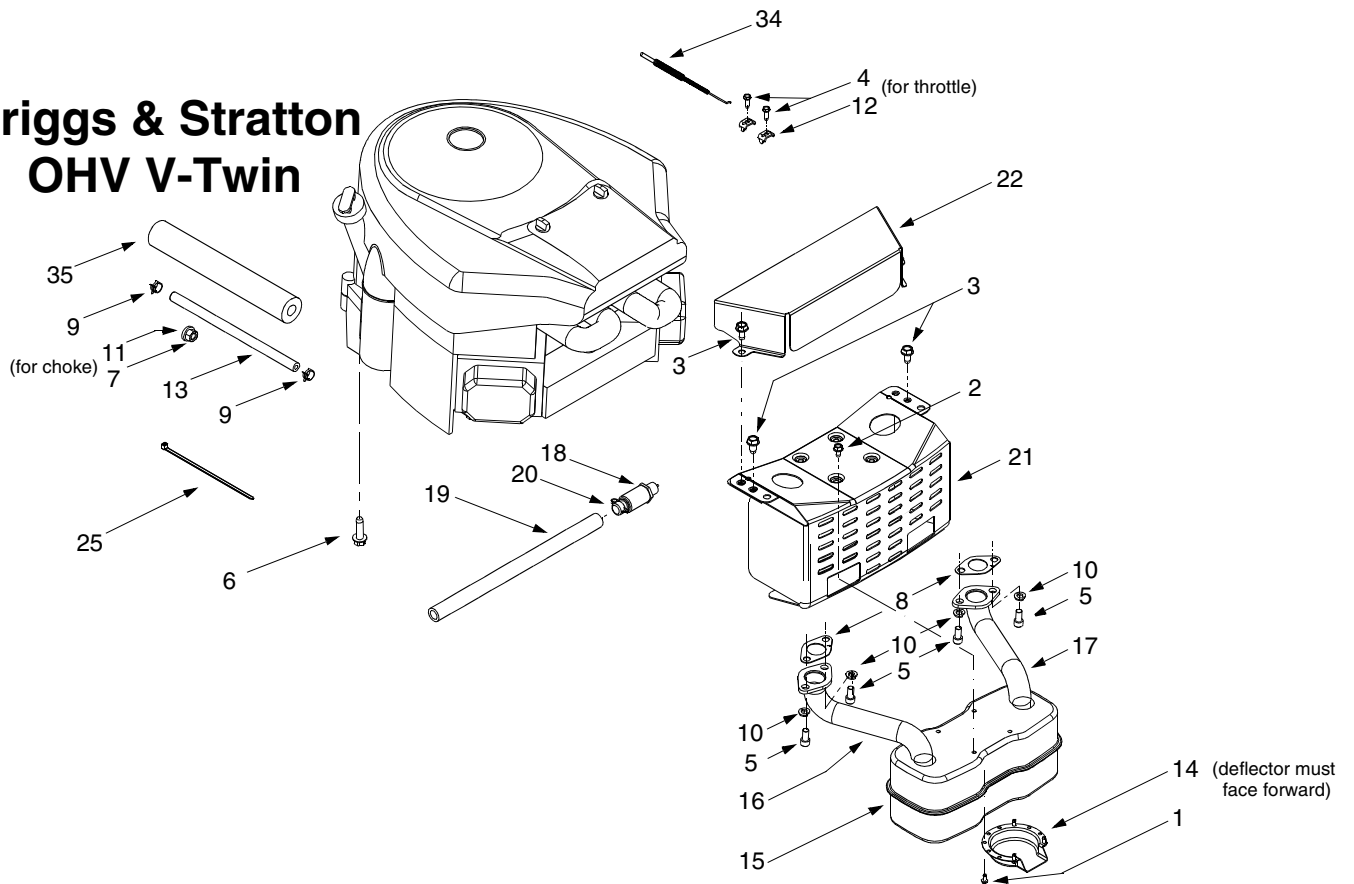


Cutting Decks

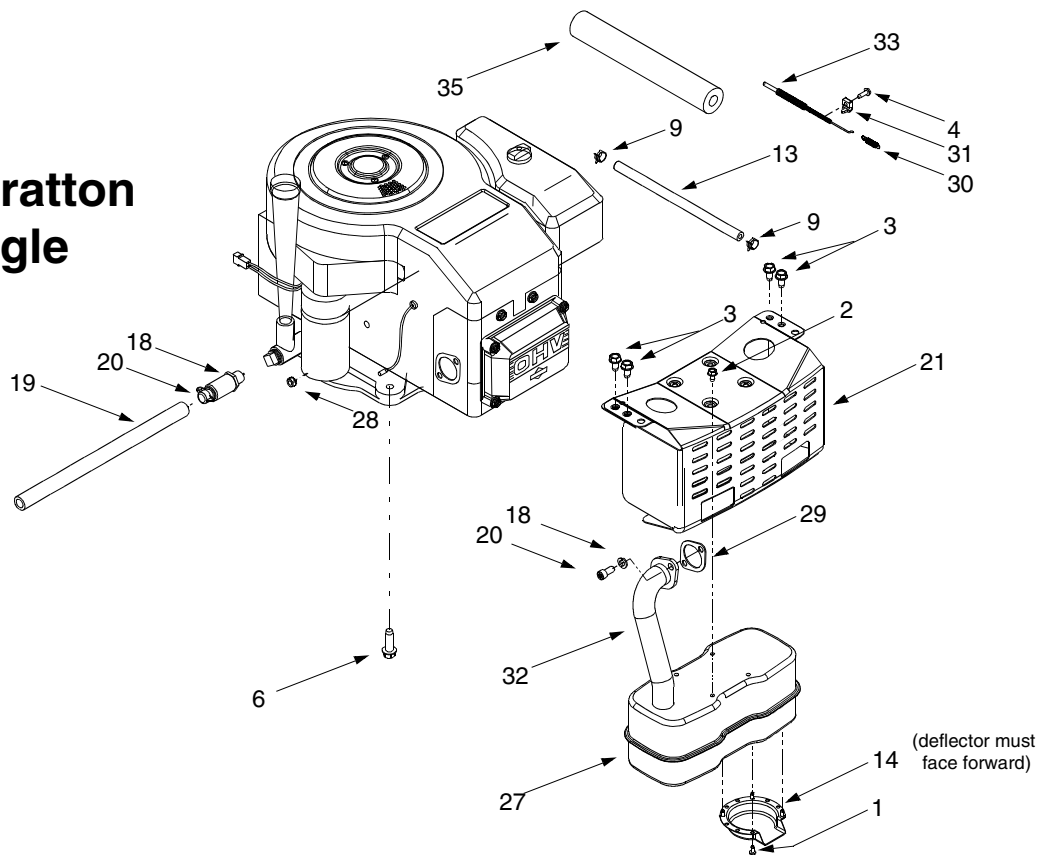
REF. NO.	PART NO.	DESCRIPTION	REF. NO.	PART NO.	DESCRIPTION
1	16606	Retainer Hook	44	712-3087	Wing Nut, 1/4-20 (if so equipped)
2	618-0324	Spindle Assembly, 5.75 Dia.	45	712-3006	Hex Nut, 1/4-20 (if so equipped)
3	683-0198C	42-inch Deck Shell	46	710-0597	Hex Cap Screw, 1/4-20 x 1.0 (if so equipped)
4	683-0254	Deck Adjustment Bracket w/ Weld Nut	47	736-0173	Flat Washer, .28 x .74 x .063
5	683-0303	Deck Brake Assembly, 42-inch Decks	48	17258A	RH Belt Cover Bracket
6	710-0520	Hex Cap Screw, 3/8-16 x 1.5	49	17928	Reinforcement Spindle Plate
7	710-0528	Hex Cap Screw, 5/16-18 x 1.25	50	618-0240	Spindle Assembly, 5.0 Dia.
8	710-0604A	Self-tapping Screw, 5/16-18 x .625	51	618-0241	Double Pulley Spindle Assembly
9	710-0751	Hex Cap Screw, 1/4-20 x .62	52	683-0265C	46-inch Deck Shell
10	710-0817	Self-tapping Screw, 5/16-18 x 1.25	53	710-0167	Carriage Screw, 1/4-20 x .50
11	710-1122	Hex Cap Screw, 1/4-20 x 2.5	54	710-0347	Hex Cap Screw, 3/8-16 x 1.75
12	710-1260A	Self-tapping Screw, 5/16-18 x .75	55	710-0501	Hex Cap Screw, 1/4-20 x 2.0
13	711-0677	Ferrule, 5/16-18	56	710-0514	Hex Cap Screw, 3/8-16 x 1.0
14	712-0417A	Hex Flange Nut, 5/8-18	57	710-0599	Self-tapping Screw, 1/4-20 x .5
15	712-0431	Flange Lock Nut, 3/8-16	58	710-0650	Self-tapping Screw, 15/16-18 x .875
16	712-3004A	Flange Lock Nut, 5/16-18	59	710-0703	Hex Screw, 1/4-20 x .75
17	712-3006	Hex Nut, 1/4-20	60	710-0805	Hex Cap Screw, 5/16-18 x 1.5
18	712-3009	Hex Lock Nut, 5/16-18	61	711-0993	Belt Keeper Pin
19	712-3027	Hex Flange Lock Nut, 1/4-20	62	712-0271	Hex Sems Nut, 1/4-20
20	714-0104	Internal Cotter Pin, .072 x 1.12	63	732-0429A	Extension Spring, .5 x 3.97
21	714-0111	Cotter Pin, 3/32 x 1.0	64	732-0594A	Extension Spring, .91 x 7.33
22	717-1553A	Deck Adjustment Gear	65	738-0347	Shoulder Spacer, .625 x 1.16
23	710-0578	Screw, 1/4-20 x 1.5	66	738-0572	Shoulder Screw, .374 x 1.16
24	726-0233	Push Nut, .25 x .5	67	742-0611	Three-in-one Blade, Star Center, 16.28"
25	731-1032B	Side Discharge Chute Assembly	68	742-0612	Three-in-one Blade, Star Center, 14.88"
26	731-2231A	Belt Cover	69	746-1107	Bracket Cable, 12"
27	732-0306	Compression Spring, .406 x .531 x 1.75	70	750-0807	Spacer, .385 x .625 x .70
28	732-0428A	Compression Spring, .50 x 4.35	71	754-0349	Deck Belt
29	734-0973	Deck Wheel, 5 x 1.38	72	756-0627	Flat Idler Pulley, 3.5 OD
30	736-0105	Bell Washer, .401 x .87 x .063	73	783-0139	Idler Bracket
31	736-0119	Lock Washer, 5/16	74	783-0141	Center Deck Skirt
32	736-0270	Bell Washer, .265 x .75 x .062	75	783-0142	RH Deck Skirt
33	736-0275	Flat Washer, .344 x .688 x .065	76	783-0747	LH Belt Cover
34	736-0416	Flat Washer, .320 x 3.0 x .125	77	731-1636	Mulch Plug, 46-inch Decks (if so equipped)
35	738-0373	Shoulder Screw, .498 x 1.53	78	712-0291	Hex Lock Nut, 1/4-20 (if so equipped)
36	742-0616	Three-in-one Blade, Star Center, 21.23"	79	17116	Deck Brake Assembly, 46-inch Decks
37	746-0970	Bracket Cable, 5.35"	80	783-0805A	RH Belt Cover
38	747-1116	Deck Release Pin	81	753-0872	46-inch Deck Assembly Complete (Manual PTO activated, w/o mulch kit)
39	747-1202	Deck Brake Rod	82	753-0871	42-inch Deck Assembly Complete (Manual PTO activated, w/o mulch kit)
40	748-0324	Shoulder Spacer			
41	783-1026	RH Belt Guard Bracket			
42	783-1027	LH Belt Guard Bracket			
43	731-1643A	Mulch Plug, 42-inch Decks (if so equipped)			

Models 607, 608 & 609

Briggs & Stratton OHV V-Twin

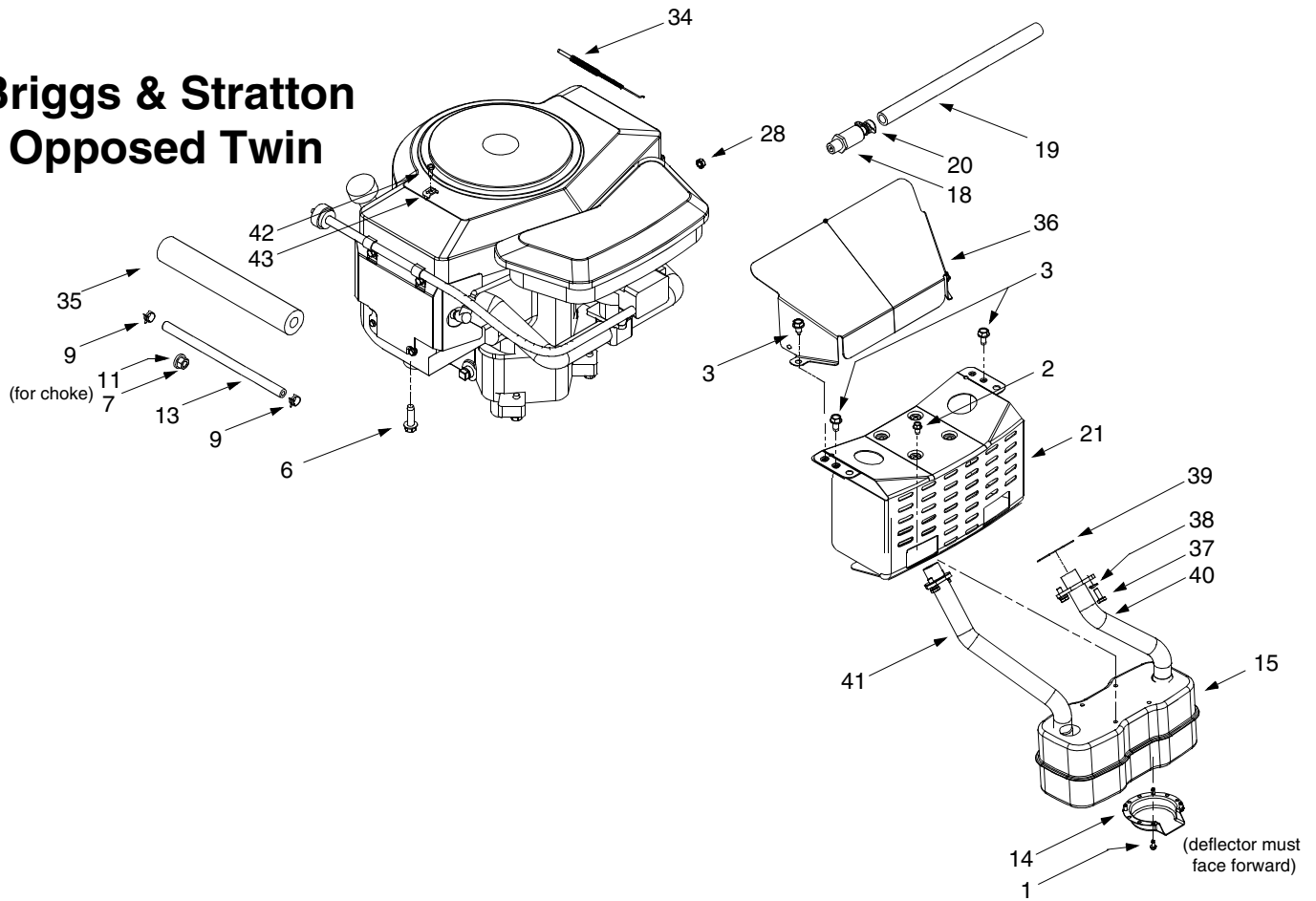


Briggs & Stratton OHV Single



Engine Accessories

Briggs & Stratton Opposed Twin



REF. NO.	PART NO.	DESCRIPTION	REF. NO.	PART NO.	DESCRIPTION
1	710-0148	Self-tapping Screw, #8-32 x .375	23	710-3206A	Hex Cap Screw, M8-1.25 x 25
2	710-0599	Self-tapping Screw, 1/4-20 x .5	24	712-3086	Flange Nut, M8-1.25
3	710-0604A	Self-tapping Screw, 5/16-18 x .625	25	725-0157	Cable Tie
4	710-1237	Screw, #10-32 x .625	26	736-0607	External Lock Washer, 5/16
5	710-1314	Socket Cap Screw, 5/16-18 x .625	27	751-0617	Muffler, Single Inlet
6	710-1315	Self-tapping Screw, 3/8-16 x 1.25	28	712-0271	Hex Sems Nut, 1/4-20 (for starter cable)
7	712-3017	Hex Nut, 3/8-16	29	721-0208	Exhaust Gasket (OHV Single)
8	721-0460	Exhaust Gasket (OHV V-Twin)	30	732-0966	Extension Spring, .275 x 1.25
9	726-0205	Hose Clamp	31	751B213146	Casing Clamp
10	736-0119	Lock Washer, 5/16	32	751-0619	Exhaust Pipe (OHV Single)
11	736-0300	Lock Washer, .406 x .875 x .059	33	746-1084	Throttle/Choke Cable (OHV Single)
12	751B221535	Casing Clamp	34	746-1086	Throttle Cable (OHV V-Twin & Opposed Twin)
13	751-0535	Fuel Line Hose	35	722-0263	Foam, .625 x 1.5 x 10 (fits over fuel line)
14	751-0564	Muffler Deflector	36	783-0357A	Heat Shield (Opposed Twin)
15	751-0616	Muffler, Twin Inlet	37	710-0751	Hex Cap Screw, 1/4-20 x .620 (Grade 5)
16	751-0650	RH Exhaust Pipe (OHV V-Twin)	38	736-0329	Lock Washer, 1/4
17	751-0651	LH Exhaust Pipe (OHV V-Twin)	39	721-0346	Exhaust Gasket (Opposed Twin)
18	751-3140	Oil Drain Valve	40	751-0623	LH Exhaust Pipe (Opposed Twin)
19	751-3141	Oil Drain Hose	41	751-0624	RH Exhaust Pipe (Opposed Twin)
20	751-3142	Oil Drain Cap	42	712-0779A	Screw, #10-16 x .5
21	783-0615	Muffler Heat Shield	43	726-0272	Clamp, 9/16
22	783-0625B	Engine Heat Shield			

MANUFACTURER'S LIMITED WARRANTY FOR:



The limited warranty set forth below is given by MTD PRODUCTS INC ("MTD") with respect to new merchandise purchased and used in the United States, its possessions and territories.

MTD warrants this product against defects in material and workmanship for a period of two (2) years commencing on the date of original purchase and will, at its option, repair or replace, free of charge, any part found to be defective in material or workmanship. This limited warranty shall only apply if this product has been operated and maintained in accordance with the Operator's Manual furnished with the product, and has not been subject to misuse, abuse, commercial use, neglect, accident, improper maintenance, alteration, vandalism, theft, fire, water or damage because of other peril or natural disaster. Damage resulting from the installation or use of any accessory or attachment not approved by MTD Products Inc. for use with the product(s) covered by this manual will void your warranty as to any resulting damages.

Normal wear parts or components thereof are subject to separate terms as follows: All normal wear part or component failures will be covered on the product for a period of 90 days regardless of cause. After 90 days, but within the two year period, normal wear part failures will be covered ONLY IF caused by defects in material or workmanship of OTHER component parts. Normal wear parts and components include, but are not limited to, belts, blades, blade adapters, grass bags, rider deck wheels, seats, snow thrower skid shoes, shave plates and tires. Batteries are covered by a 90-day limited replacement warranty.

HOW TO OBTAIN SERVICE: Warranty service is available, WITH PROOF OF PURCHASE THROUGH YOUR LOCAL AUTHORIZED SERVICE DEALER. To locate the dealer in your area, please check for a listing in the Yellow Pages or contact the Customer Service Department of MTD PRODUCTS INC by calling 1-800-800-7310 or writing to P.O. Box 368022, Cleveland, Ohio 44136-9722.

This limited warranty does not provide coverage in the following cases:

- a. The engine or component parts thereof. These items carry a separate manufacturer's warranty. Please refer to the applicable manufacturer's warranty on these items.
- b. Log splitter pumps, valves and cylinders have a separate one year warranty.

c. Routine maintenance items such as lubricants, filters, blade sharpening and tune-ups, or adjustments such as brake adjustments, clutch adjustments or deck adjustments; and normal deterioration of the exterior finish due to use or exposure.

d. MTD does not extend any warranty for products sold or exported outside of the United States of America, its possessions and territories, except those sold through MTD's authorized channels of export distribution.

No implied warranty, including any implied warranty of merchantability or fitness for a particular purpose, applies after the applicable period of express written warranty above as to the parts as identified. No other express warranty or guaranty, whether written or oral, except as mentioned above, given by any person or entity, including a dealer or retailer, with respect to any product shall bind MTD. During the period of the Warranty, the exclusive remedy is repair or replacement of the product as set forth above. (Some states do not allow limitations on how long an implied warranty lasts, so the above limitation may not apply to you.)

The provisions as set forth in this Warranty provide the sole and exclusive remedy arising from the sales. MTD shall not be liable for incidental or consequential loss or damages including, without limitation, expenses incurred for substitute or replacement lawn care services, for transportation or for related expenses, or for rental expenses to temporarily replace a warranted product. (Some states do not allow the exclusion or limitation of incidental or consequential damages, so the above exclusion or limitation may not apply to you.)

In no event shall recovery of any kind be greater than the amount of the purchase price of the product sold. Alteration of the safety features of the product shall void this Warranty. You assume the risk and liability for loss, damage, or injury to you and your property and/or to others and their property arising out of the use or misuse or inability to use the product.

This limited warranty shall not extend to anyone other than the original purchaser, original lessee or the person for whom it was purchased as a gift.

How State Law Relates to this Warranty: This limited warranty gives you specific legal rights, and you may also have other rights which vary from state to state.

Free Manuals Download Website

<http://myh66.com>

<http://usermanuals.us>

<http://www.somanuals.com>

<http://www.4manuals.cc>

<http://www.manual-lib.com>

<http://www.404manual.com>

<http://www.luxmanual.com>

<http://aubethermostatmanual.com>

Golf course search by state

<http://golfingnear.com>

Email search by domain

<http://emailbydomain.com>

Auto manuals search

<http://auto.somanuals.com>

TV manuals search

<http://tv.somanuals.com>