

Installation Instructions

Installation et instruction
Installation e instrucción



Dual-Fuel Slide-In Range

fr Cuisinière mixte
es El combustible doble liber ta las gamas paradas



BOSCH

Invented for life



Table of Contents

Safety	1
Important Safety Instructions	1
Installation	4
Before You Begin	4
Overview	4
Tools and Parts Needed	4
Parts Included	5
General Information	5
Preparation	5
Installation Procedure	11
Apply Foam Tape	11
Install Backwall Trim	11
Connect Electric	12
Connect Gas Supply	16
Test for Gas Leaks	21
Test the Installation	22
Service	24
Before Calling Service	24
Product Data Plate	24

Questions?

1-800-944-2904

www.boschappliances.com

5551 McFadden Ave.
Huntington Beach, CA 92649

We look forward to hearing from you!

Safety



IMPORTANT SAFETY INSTRUCTIONS

READ AND SAVE THESE INSTRUCTIONS

Important Safety Instructions

WARNING:

Do not repair or replace any part of the appliance unless specifically recommended in the manuals. Improper installation, service or maintenance can cause injury or property damage. Refer to this manual for guidance. All other servicing should be done by a qualified technician.

Related Equipment Safety

WARNING:

All ranges can tip. Injury to persons could result. Install anti-tip device packaged with range. Verify that the anti-tip devices are engaged. See installation instructions.



Figure 1: Tipping Precautions

- Remove all tape and packaging before using the appliance. Destroy the packaging after unpacking the appliance. Never allow children to play with packaging material.
- Never modify or alter the construction of the appliance. For example, do not remove leveling legs, panels, wire covers or anti-tip brackets/screws.
- To eliminate the risk of burns or fire by reaching over heated surface units, cabinet storage space located above the surface units should be avoided. If cabinet storage is to be provided, the risk can be reduced by installing a hood that projects horizontally a minimum of 5 inches beyond the bottom of the cabinet.
- Verify that cabinets above the cooktop are a maximum of 13" (330 mm) deep.
- Do not lift appliance by door handle. Remove the door for easier handling and installation. See instructions in Use and Care Manual.
- Unit is heavy and requires at least two people or proper equipment to move.
- Hidden surfaces may have sharp edges. Use caution when reaching behind or under appliance.
- This appliance complies with one or more of the following Standards:
 - UL 858, The Standard for the Safety of Household Electric Ranges
 - UL 923, The Standard for the Safety of Microwave Cooking Appliances
 - UL 507, The Standard for the Safety of Electric Fans
 - ANSI Z21.1, The American National Standard for Household Cooking Gas Appliances
 - CAN/CSA-C22.2 No. 113-M1984 Fans and Ventilators
 - CAN/CSA-C22.2 No. 61-M89 Household Cooking Ranges

Appliance Handling Safety

Safety Codes and Standards

It is the responsibility of the owner and the installer to determine if additional requirements and/or standards apply to specific installations.

- Installation must conform with local codes or, in the absence of local codes, with the National Fuel Gas Code, ANSI Z223.1/NFPA 54.
- The appliance must be electrically grounded in accordance with local codes or, in the absence of local codes, with the National Electrical Code ANSI/NFPA 70, latest edition. (In Canada, installation must be in accordance with the CAN 1-B149.1 and .2 Installation Codes for Gas Burning Appliances and/or local codes).

Electric Safety

- Before you plug in an electrical cord, be sure all controls are in the OFF position.
- For appliances equipped with a cord and plug, do not cut or remove the ground prong. It must be plugged into a matching grounding type receptacle to avoid electrical shock. If there is any doubt as to whether the wall receptacle is properly grounded, the customer should have it checked by a qualified electrician.
- If required by the National Electrical Code (or Canadian Electrical Code), this appliance must be installed on a separate branch circuit.
- Only a power-supply cord kit rated for this appliance and marked "for use with ranges" shall be used.
- Installer - show the owner the location of the circuit breaker or fuse. Mark it for easy reference.
- Important - Save these instructions for the local electrical inspector's use.
- Before installing, turn power OFF at the service panel. Lock service panel to prevent power from being turned ON accidentally.
- Be sure your appliance is properly installed and grounded by a qualified technician. Installation, electrical connections and grounding must comply with all applicable codes.

Gas Safety

- Install a gas shutoff valve near the appliance. It must be easily accessible in an emergency.
- Leak testing must be conducted by the installer according to the instructions in this manual.
- The appliance and its individual shutoff valve must be disconnected from the gas supply piping system during any pressure testing at pressures in excess of ½ psi (3.5 kPa).
- The appliance must be isolated from the gas supply piping system by closing its individual manual shutoff valve during any pressure testing of the gas supply piping system at test pressures equal to or less than ½ psi (3.5 kPa)
- The minimum supply pressure must be 1" water column above the manifold pressure printed on the data plate.

- The maximum supply pressure must not exceed 14.0 inches water column (34.9 Millibars).

WARNING: If the information in this manual is not followed exactly, a fire or explosion may result causing property damage, personal injury or death.

- Do not store or use combustible materials, gasoline or other flammable vapors and liquids in the vicinity of this or any other appliance
- WHAT TO DO IF YOU SMELL GAS:
 - Do not try to light any appliance.
 - Do not touch any electrical switch.
 - Do not use any phone in your building.
 - Immediately call your gas supplier from a neighbor's phone. Follow the gas supplier's instructions.
 - If you cannot reach your gas supplier, call the fire department. Installation and service must be performed by a qualified installer, authorized service agency or the gas supplier.

Figure 2: Gas Precautions

- This appliance has been CSA certified for safe operation up to a height of 10,000 ft. without any modifications. Exception: For use with propane the appliance must be converted per the LP conversion instructions.
- For Massachusetts installations:
 - Installation must be performed by a qualified or licensed contractor, plumber or gas fitter qualified or licensed by the state, province or region where this appliance is being installed.
 - Shut-off valve must be a "T" handle gas cock.
 - Flexible gas connector must not be longer than 36 inches.
- Installer - show the owner where the gas shut-off valve is located.
- The propane gas tank must be equipped with its own high pressure regulator. In addition, the regulator supplied with this unit must also be used.
- The appliance is shipped from the factory for use with natural gas. It must be converted for use with propane. A qualified technician or installer must do the conversion.

Propane Gas Installation

Installation

Before You Begin

Overview

Table 1: Overview

Step	Task
1.	Preparation
2.	Apply Foam Tape
3.	Install Backwall Trim (Optional)
4.	Connect Electric
5.	Connect Gas Supply
6.	Test for Gas Leaks
7.	Test the Installation

Proceed to the sections that follow for step-by-step instructions.

Tools and Parts Needed

- Range Power Supply Cord Kit (240V -30 Amp)
Note: Not necessary for Canadian installations; Canadian units are shipped with the power cord already installed.
- Measuring Tape
- Phillips Head Screwdriver
- 1-1/4" (31.8 mm) Wrench
- Pencil
- T-20 Torx Screwdriver
- Screws (2) and Anchors (2) for Anti-Tip Bracket (Style will vary depending on mounting surface)
- Level
- Drill and Drill Bit
- Soapy Water
- Pipe Wrench
- Teflon Tape
- Channel Lock Pliers
- Gas Leak Test Solution
- Gas Supply Line
- Gas Shut Off Valve
- Safety Gloves and Goggles
- Tape (Optional)
- Cloth or Cardboard (Optional - to Protect Floor)

Additional Parts Needed For Hard Wire Installations

- Flexible Conduit
- Torque Wrench
- **Note:** Power Supply Cord Kit Not Necessary For Hard Wire Installations

Parts Included

- Anti-Tip Bracket
- Foam Tape
- Backwall Trim
- Screws for Backwall Trim (2)
- Terminal Lugs (For Use With Hard Wire Installations)
Note: not necessary for Canadian installations

General Information

Overall Dimensions

Table 2: Overall Dimensions

Dimension	Inches	Centimeters
Height	36"	91.44 cm
Width	31"	78.74 cm
Depth	25 5/8"	65.09 cm

Level

For best results, cabinets, countertops walls and floors in the installation location should be as level and plumb as possible. Variance may cause damage to countertops and floors during installation, could jeopardize the seal around the cooktop and may adversely affect cooking and baking performance.

Preparation

Prepare Unit

Remove all packaging material and discard.



WARNING:

Remove all tape and packaging before using the appliance. Destroy the packaging after unpacking the appliance. Never allow children to play with packaging material.



Tip:

Place the range on a piece of the cardboard to protect floors.

Remove drawer and set aside.

1. Pull drawer all the way out.
2. Locate locking clips on the rails, one on each side.
3. Push up on the clip on the left rail. Pull the drawer out until clip locks into place.
4. Push down on the clip on the right rail. Pull the drawer out until clip locks into place.
5. Pull the drawer straight out and set aside.
6. Push rails into range.

Remove oven door and set aside.**WARNING:**

When removing the door:

- Make sure oven is cool and power to the oven has been turned off before removing the door. Failure to do so could result in electrical shock or burns.
- The oven door is heavy and fragile. Use both hands to remove the oven door. The door front is glass. Handle carefully to avoid breaking.
- Grasp only the sides of the oven door. Do not grasp the handle as it may swing in your hand and cause damage or injury.
- Failure to grasp the oven door firmly and properly could result in personal injury or product damage.
- To avoid injury from hinge bracket snapping closed, be sure that both levers are securely in place before removing door. Also, do not force door open or closed - the hinge could be damaged and injury could result.

1. Be sure to read the above WARNING before attempting to remove oven door.
2. Open the door all the way.
3. Flip levers on hinges (one on each side) toward you.

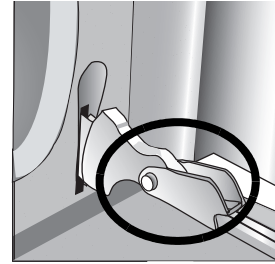
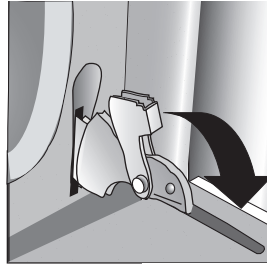
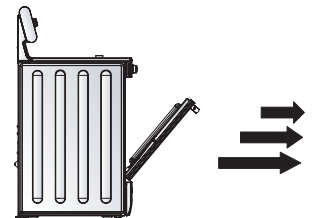


Figure 3: Hinge Positions

4. Close the door until it stops. It will be about half-way open.
5. Holding the door firmly on both sides and using both hands, pull the door straight out of the hinge slots. Hold firmly, the door is heavy.
6. Place the door in a stable location.

**Electrical Requirements**

Refer to data plate for more information. See "Product Data Plate" on page 24 for data plate location.

We recommend that the range be installed with a power cord set (not supplied). The electrical rating of the power cord set must be 120/240 volt, 30 amperes minimum. The power cord set shall be marked "For Use with Ranges." Always use a new power cord.

**Note:**

In Canada, the range is shipped from the factory with the range cord already installed.

Ranges are dual rated for use on either 120/240 VAC or 120/208 VAC. Check the data plate for the kW rating. Reference the kW rating in the table below to determine amperage requirements.

Table 3: Electrical Specifications

kW Rating		Hz	Amps Req'd
120/240V	120/208V		
6.2	4.8	60	30

The electrical outlet must be located in the shaded space shown in “Gas Supply Line and Electrical Outlet Placement” on page 8.

Verify that wiring to house is adequate

Contact your local utility company to verify that the present electric service to your home is adequate. In some instances, the size of the wiring to the house and service switch must be increased to handle the electrical load demanded by the range.

Most wiring codes require a separate circuit with separate disconnect switch and fuses either in the main entrance panel or in a separate switch and fuse box.

The range requires a minimum of a three wire 120/240 or 120/208 volt, 30 AMP, 60 Hz AC circuit. Check local codes for proper amperage ratings. A four wire connection is preferred.

Most local building regulations and codes require that electrical wiring be done by licensed electricians. Be sure to install your range according to the electric codes in place in your region.

Gas Requirements



CAUTION:

Make certain that gas shutoff valve and all burner controls are in the OFF position before beginning.

Shut off main gas supply valve before disconnecting the old range and leave it off until the new hook-up has been completed. **Don't forget to relight the pilot on other gas appliances when you turn the gas back on.**

The gas supply line and electrical outlet must be located in the shaded space as shown in Figure 4: Gas Supply Line and Electrical Outlet Placement.

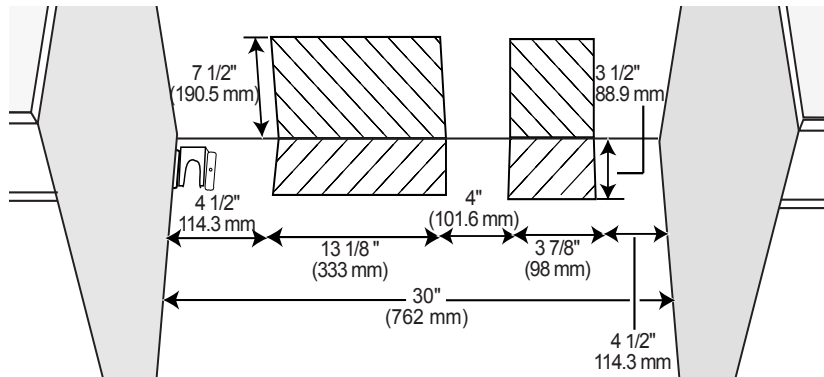


Figure 4: Gas Supply Line and Electrical Outlet Placement

If not already present, install gas shut off valve in an easily accessible location. Make sure all users know where and how to shut off the gas supply to the range.



Note:

The installer should inform the consumer of the location of the gas shutoff valve.

Important note for LP users

The range is shipped from the factory for use with natural gas. For use with propane (LP) gas, your range must first be converted using the LP conversion kit.

Cabinet Requirements

This unit is designed for installation near adjacent walls and projecting surfaces constructed of combustible materials. Prepare the countertop and cabinets as shown in Figure 5: Cutout Requirements - Typical Installation.

Allow a minimum of 30 inches between cabinets where range is to be installed.

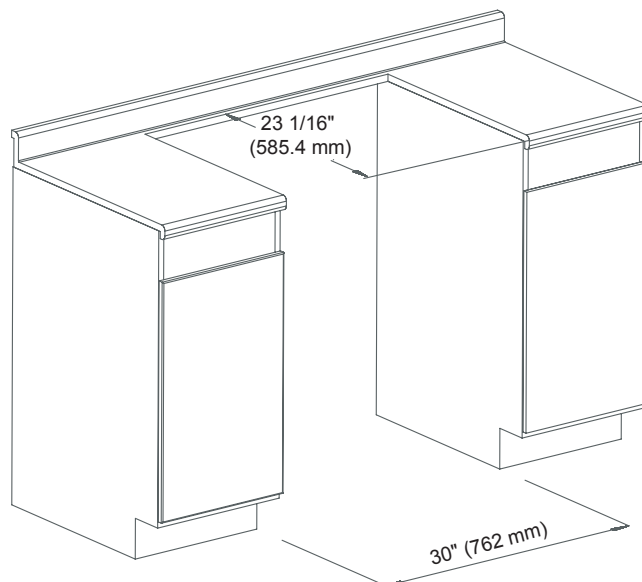


Figure 5: Cutout Requirements - Typical Installation



Note:
The slide-in range can also replace a freestanding range. In this case, verify that the opening is at least 30 inches.

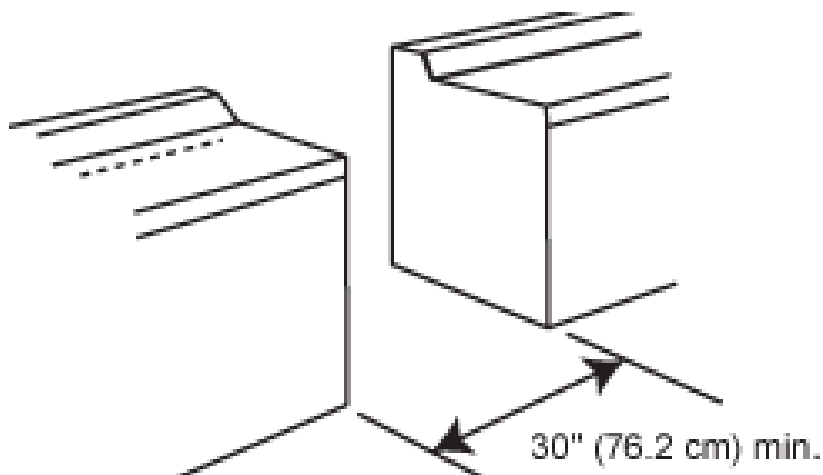


Figure 6: Cutout Requirements - Replacing a Free-Standing Model

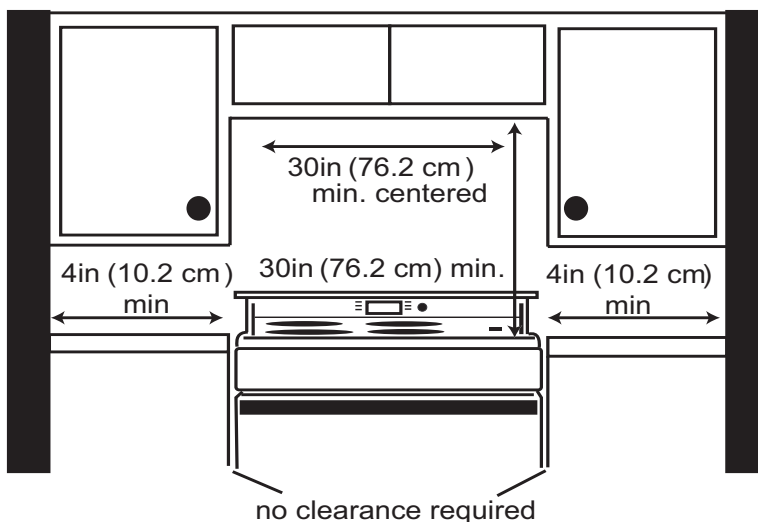


Figure 7: Cabinet Preparation

Required Clearance¹



WARNING:

To eliminate the risk of burns or fire by reaching over heated surface units, cabinet storage space located above the surface units should be avoided. If cabinet storage is to be provided, the risk can be reduced by installing a hood that projects horizontally a minimum of 5 inches beyond the bottom of the cabinet.

1. Instructions were determined using standard American cabinets. Standard base cabinets measure 36" high x 24" deep. Cabinets over the cooking surface and cabinets adjacent to those over the cooking surface measure 13 inches deep from backwall. If nonstandard cabinets are used, care should be taken to alter dimensions accordingly.

From cooktop to materials above: There must be a minimum clearance of 30 inches between the top of the cooking surface and the bottom of an unprotected wood or metal cabinet. See Figure 7: Cabinet Preparation.

24 inches is acceptable when the bottom of the wood or metal cabinet is protected by (a) not less than 1/4" of flame retardant material which must be covered with (b) not less than No. 28 MSG sheet metal, 0.015 inch stainless steel or 0.024 inch aluminum or copper.

From range walls to adjacent materials: See Figure 7: Cabinet Preparation. No clearance is required from unit walls to adjacent vertical combustible walls on rear, right or left.

Clearance from range top to adjacent vertical walls must be at least 4".



Note:

Some cabinet finishes cannot survive the temperatures allowed by safety standards, particularly self-cleaning ovens; the cabinets may discolor or stain. This is most noticeable with laminated cabinets.

Prepare Walls and Floor

Seal any holes in the walls or floor. Remove any obstructions (extra electrical or gas connections, etc.) so that range will rest against wall properly.

Countertop Requirements

Countertops must be smooth and level.

Mounting Requirements

Install Anti-Tip Bracket

1. Measure to locate bracket position as shown in See Figure 8: Anti-Tip Bracket.
2. Secure bracket with 2 screws adequate for mounting surface (i.e., for wood floor use wood screws, for concrete floor use concrete anchors and screws).

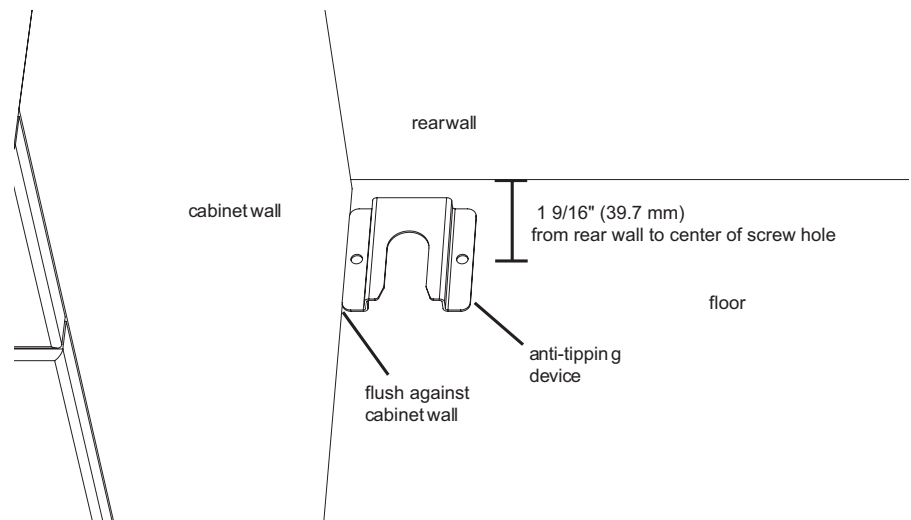


Figure 8: Anti-Tip Bracket

Ventilation Recommendations

We strongly recommend the installation of a ventilation hood above this appliance. For most kitchens a certified hood rating of not less than 300 CFM is recommended. The range hood must be installed according to instructions furnished with the hood.

Installation Procedure

Apply Foam Tape

Apply foam tape to underside of cooktop trim in one continuous piece.

Install Backwall Trim



Note:

This step is only required if the countertop does not connect behind the range (i.e.; when replacing a free-standing range). See "Cabinet Requirements" on page 8 for more information

Install 2 screws through holes in trim and in range backwall. See Figure 9: Backwall Trim Strip and Figure 10: Install Backwall Trim Strip

Backwall
Trim Strip

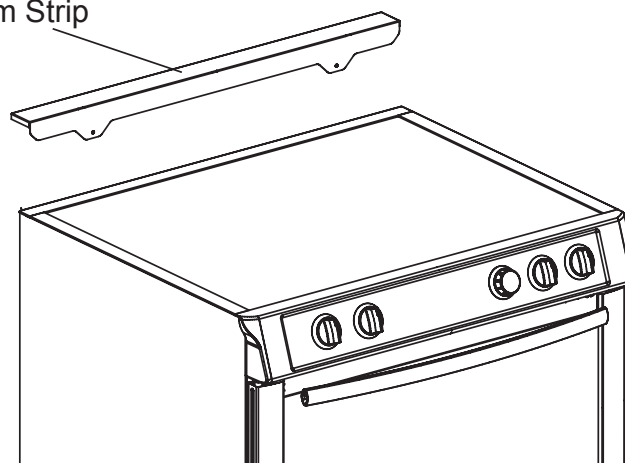


Figure 9: Backwall Trim Strip

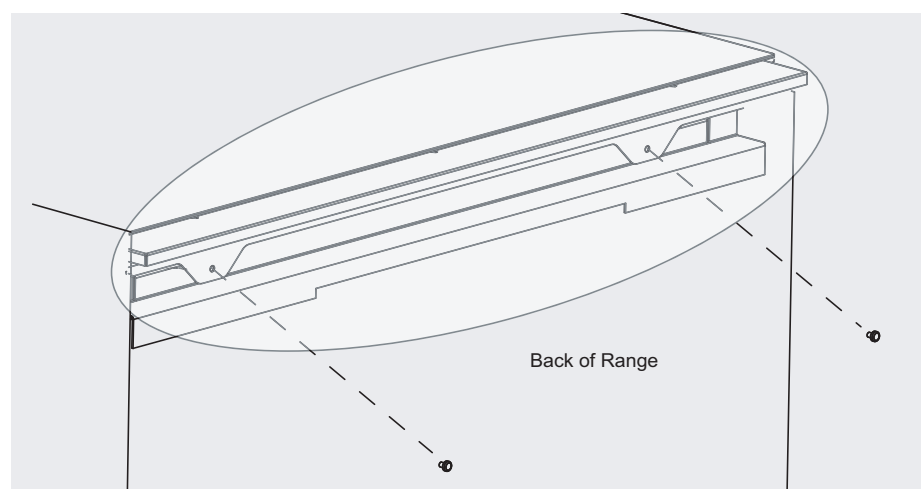


Figure 10: Install Backwall Trim Strip

Connect Electric

There are two possible electrical connections:

1. Four wire range cord
2. Three wire range cord

The four wire range cord connection is the recommended method, but where local codes permit, three wire connections are also acceptable.



Note:

In Canada, the range is shipped from the factory with the range cord already installed. Continue to "Connect Gas Supply" on page 16.

For installations other than those in Canada, connect the range cord at the terminal block (See next page for detailed instructions). Access the terminal block by removing the cover in the lower right hand corner of the range back panel.

Install Strain Relief

Place strain relief in knockout below terminal block. See Figure 11: Strain Relief Knockout.



WARNING:

The strain relief provided with your range cord must be properly installed.

Strain reliefs vary. Carefully read and follow the instructions included with your strain relief.

1. In the knockout panel below the terminal block, remove the knockout that fits your strain relief.
2. Feed range cord through hole and strain relief up to terminal block. Allow for slack in the cord between the strain relief and terminal block.
3. Once cord length/ slack has been adjusted, attach strain relief per instructions included with strain relief.

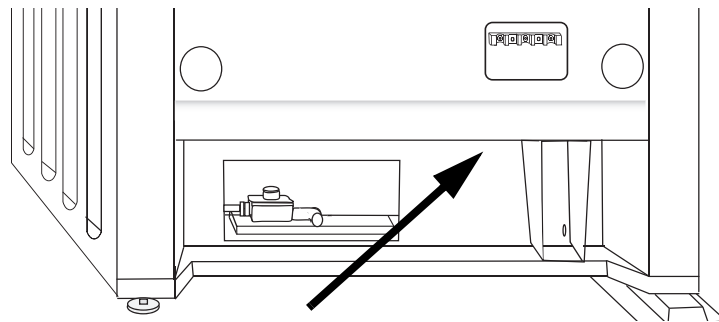


Figure 11: Strain Relief Knockout



Tip:

The knockout panel below the terminal block can be removed from the range to install the strain relief: Remove knockout panel from range, install strain relief in panel and reattach. DO NOT remove entire range back panel.

**WARNING:**

Risk of Electric Shock or Fire. Frame grounded to neutral through a ground strap. Grounding through the neutral conductor is prohibited for new branch-circuit installations (1996 NEC), mobile homes, and recreational vehicles, or in an area where local codes prohibit grounding through the neutral conductor.

For installations where grounding through the neutral conductor is prohibited, (a) disconnect the link from the neutral, (b) use grounding terminal or lead to ground unit, (c) connect neutral terminal to lead branch circuit neutral in usual manner (when the appliance is to be connected by means of a cord kit, use 4-conductor cord for this purpose).

Use only cord kits rated 125/250 volts (minimum), 30 amperes and labeled "For Use with Ranges". Strain relief provided with cord must be installed per instructions included with cord.

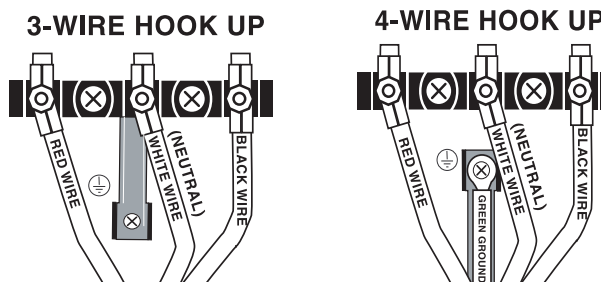


Figure 12: Grounding Requirements

**WARNING:**

To prevent electrical shock, the grounding prong on the range cord should not be cut or removed under any circumstances. It must be plugged into a matching grounding type receptacle and connected to a correctly polarized 240- Volt circuit. If there is any doubt as to whether the wall receptacle is properly grounded, have it checked by a qualified electrician.

Four Wire Range Cord Connection (Recommended Method)

1. Disconnect electrical power at breaker box.
2. Remove the terminal block cover to expose the terminal block.

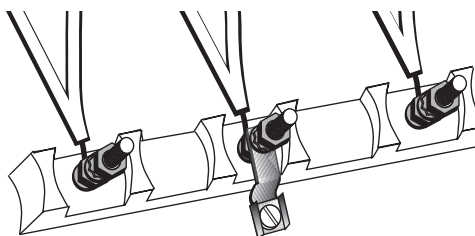


Figure 13: 4 Wire Connection

3. Remove top nut, star washer, and round washer from each post.



Note:
DO NOT remove last round washer, last nut or internal wiring leads.

4. Remove screw from bottom end of ground strap.
5. Remove ground strap from center post, rotate so that wide end is at top and attach wide end to range through hole below junction box. Attach green wire on top of ground strap. Tighten Screw.

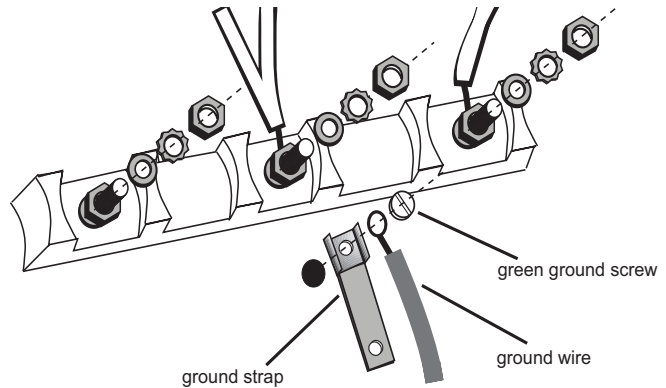


Figure 14: Four Wire Range Cord Connection - Ground Strap and Wire

6. Attach red wire, round washer, star washer and nut IN THIS ORDER to left post.
7. Attach white wire, round washer, star washer and nut IN THIS ORDER to center post.
8. Attach black wire, round washer, star washer and nut IN THIS ORDER to right post.

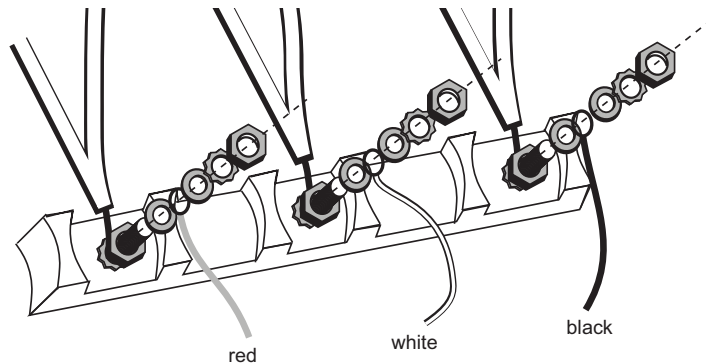


Figure 15: Four Wire Range Cord Connection (continued)

9. Tighten all connections securely and replace terminal block cover.
10. Properly secure strain relief (see previous section).



Note:
DO NOT plug in range at this time.

Three Wire Range Cord Connection The Four Wire Connection (above) is preferred, but where local codes and ordinances permit grounding through neutral and where conversion to four wire is impractical, the unit may be connected to the power supply via a three wire connection.

1. Disconnect electrical power at breaker box.
2. Remove the terminal block cover to expose the terminal block.

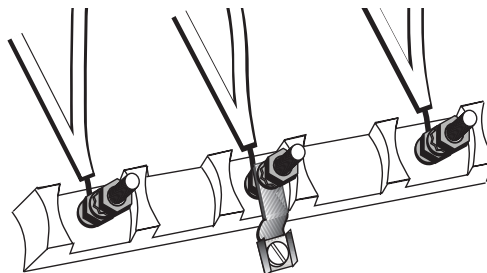


Figure 16: Terminal Block

3. Remove top nut, star washer, and round washer from each post.



Note:

DO NOT remove last round washer, last nut or internal wiring leads.

4. Attach white wire, round washer, star washer and nut IN THIS ORDER on top of ground strap on center post.
5. Attach red wire, round washer, star washer and nut IN THIS ORDER to left post.
6. Attach black wire, round washer, star washer and nut IN THIS ORDER to right post.

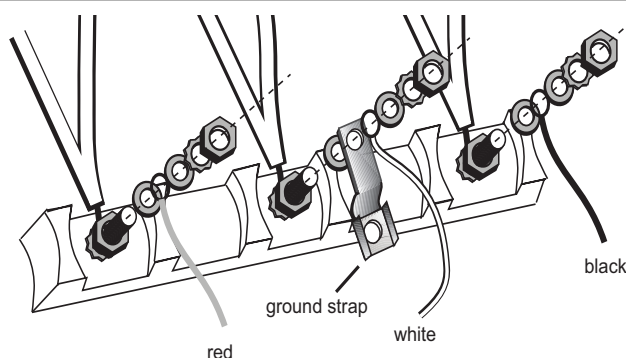


Figure 17: Three Wire Connection

7. Tighten all connections securely and replace terminal block cover.

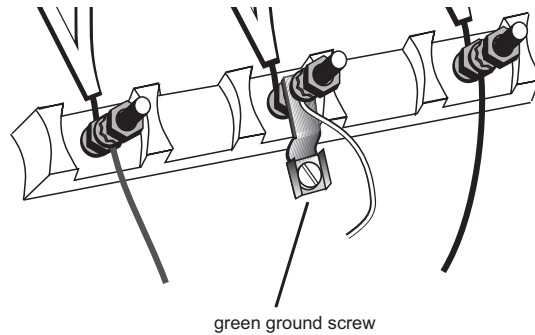


Figure 18: Completed Three Wire Range Cord Connection

8. Properly secure strain relief. See “Install Strain Relief” on page 12 for detailed instructions.



Note:
DO NOT plug in range at this time.

Connect Gas Supply

Shut off main gas supply valve before disconnecting the old range and leave it off until the new hook-up has been completed. **Don't forget to relight the pilot on other gas appliances when you turn the gas back on.**

The range can be installed using rigid pipe or a CSA International-certified flexible metal appliance connector. If using a flexible connector, always use a new connector.

Apply pipe joint compound or Teflon¹ tape appropriate for use with LP gas and Natural gas around all male pipe threads to prevent leaks.

The gas connection is located below the back panel of the range. See “Gas Connection Location” on page 16. It is accessible through the drawer access panel or from the back of the range. To reach access panel, remove drawer.

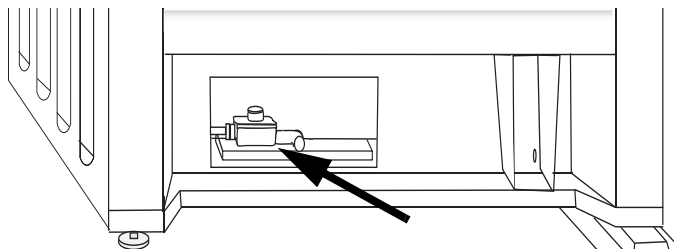


Figure 19: Gas Connection Location

Important note for LP users

The range is shipped from the factory for use with natural gas. For use with propane (LP) gas, your range must first be converted using the LP conversion kit.

1. Teflon is a registered trademark of DuPont

Flexible Connector Method

If using rigid pipe, skip to "Rigid Pipe Method" on page 19.

Attach Connector

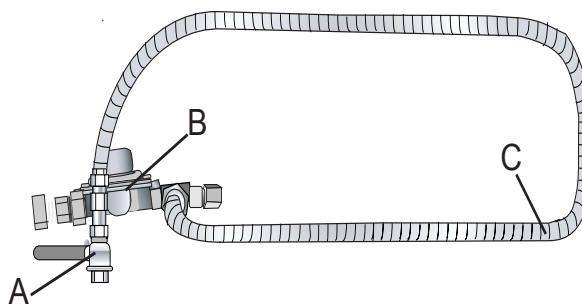


Figure 20: Flexible Connector Method

Table 4: Flexible Connector Method

Letter	Item
A	Gas Shut Off Valve
B	Regulator
C	Flexible Connector

1. Install male 1/2" flare adaptor at the 1/2" NPT internal thread of the range inlet. Use a backup wrench on the elbow fitting to avoid damage.
2. Install male 1/2" or 3/4" flare union adapter on the internal thread of the manual shutoff valve.
3. Connect flexible metal appliance connector.

Plug in Range Cord

1. Make sure circuit breaker is off and then plug range cord into electrical outlet.
2. Connect flexible connector at gas inlet valve.



CAUTION:

Before you plug in an electrical cord, be sure all controls are in the Off position.

Adjust Leveling Legs

1. Line up range in front of opening.
2. Measure back left corner of opening from floor to top of countertop.
3. Measure back left corner of range to bottom of cooktop trim. Adjust leveling leg until this height is the same as the corner dimension.
4. Repeat in right back corner.
5. Adjust front leveling legs so that the bottom of the cooktop trim is 1/2" higher than the corresponding countertop surface.

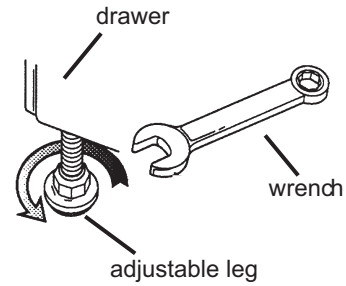


Figure 21: Adjust the Front Leveling Leg

Slide Range into Opening

1. Plug in power cord.
2. Slide range into opening, being careful not to damage countertops, floors, or the range drawer front. Do not apply pressure to cooktop when sliding into position. Be careful not to crimp flexible connector.



Tip:

1. If the range does not slide easily:
Use soapy water to dampen the following pressure points:
 - countertop
 - foam tape
 - floor under range legs
2. Remove drawer and oven door to prevent damage
3. To prevent damage to the appliance, push on the frame around the oven cavity opening.

3. Wipe up soapy water.

Check Back of Range for Proper Installation

1. When properly installed, the cooktop trim around the back of the range will rest lightly on the countertop.



Note:

When replacing a free-standing model, the backwall trim strip should be flush with the wall.

2. There should not be any gap between the countertop and the trim; however, the weight of the range must not rest on the countertop. Look under the range to verify that both back legs are resting solidly on the floor. Also verify that the left range leg is under the anti-tip bracket.



CAUTION:

Verify that the weight of the range is not resting on the countertop. This could result in damage to the countertop and the appliance.

3. If the back legs are not resting solidly on the floor or the left leg is not under the anti-tip bracket, slide range out, adjust legs and slide back in.

Adjust Front of Range for Proper Installation

1. Adjust front leveling legs so that the cooktop trim rests snugly against the countertop all the way around.
2. Verify that both front legs are resting solidly on the floor.
3. Use a level to verify that the range is level and plumb.
4. Carefully tip range forward to ensure that anti-tip bracket engages and prevents tip-over.

The gas connection is complete. Proceed to "Test for Gas Leaks" on page 21.

If using a flexible connector, return to "Flexible Connector Method" on page 17.

Rigid Pipe Method

Attach Rigid Pipe

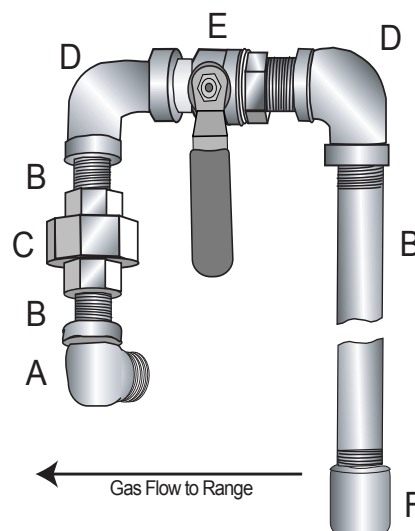


Figure 22: Rigid Pipe Method

Table 5: Rigid Pipe Method

Letter	Item
A	Elbow; Connect to regulator here
B	Pipe Nipple
C	Union
D	Elbow
E	Gas Shut Off Valve
F	1/2" to 3/4" Gas Pipe

The configuration of the rigid pipe connection will vary depending on the location of the gas pipe stub. See Figure 22: Rigid Pipe Method for examples.

Adjust Leveling Legs

1. Make sure circuit breaker is off and then plug range cord into electrical outlet.



CAUTION:

Before you plug in an electrical cord, be sure all controls are in the **Off** position.

2. Line up range in front of opening.
3. Measure back left corner of opening from floor to top of countertop.
4. Adjust front leveling legs so that the bottom of the cooktop trim is 1/2" higher than the corresponding countertop surface.

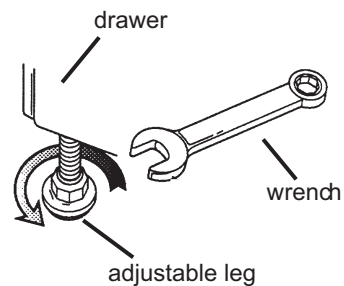


Figure 23: Adjust the Front Leveling Leg

5. Repeat in right back corner.
6. Adjust front leveling legs so that the bottom of the cooktop trim is 1/2" higher than the corresponding countertop surface.

Slide Range into Opening

1. Plug in power cord.
2. Slide range into opening, being careful not to damage countertops, floors, or the range drawer front. Do not apply pressure to cooktop when sliding into position.



Tip:

1. If the range does not slide easily, use soapy water to dampen the following pressure points:
 - countertop
 - foam tape
 - floor under range legs
2. Remove drawer and oven door to prevent damage

Check Back of Range for Proper Installation

1. When properly installed, the cooktop trim around the back of the range will rest lightly on the countertop.



Note:

When replacing a free-standing model, the backwall trim strip should be flush with the wall.

2. There should not be any gap between the countertop and the trim; however, the weight of the range must not rest on the countertop. Look under the range

to verify that both back legs are resting solidly on the floor. Also verify that the left range leg is under the anti-tip bracket.



CAUTION:

Verify that the weight of the range is not resting on the countertop. This could result in damage to the countertop and the appliance.

3. If the back legs are not resting solidly on the floor or the left leg is not under the anti-tip bracket, slide range out, adjust legs and slide back in.

Adjust Front of Range for Proper Installation

1. Adjust front leveling legs so that the cooktop trim rests against the countertop all the way around.
2. Verify that both front legs are resting solidly on the floor.
3. Use a level to verify that the range is level and plumb.
4. Push range back into position ensuring that range leg slides under the anti-tip bracket. The range will sit 3/4" away from the wall when properly installed.
5. Carefully tip range forward to ensure that anti-tip bracket engages and prevents tip-over.

Complete Gas Connection

1. Connect pipe to range at union. Access the connection through the access panel behind the drawer.

The gas connection is complete. Proceed to "Test for Gas Leaks" on page 21.

Test for Gas Leaks

Leak testing is to be conducted by the installer according to the instructions given in this section.



Note:

Be careful not to apply pressure to warming drawer element during rigid pipe testing.

1. Turn on gas.
2. Apply a non-corrosive leak detection fluid. Include all joints and fittings between the shutoff valve and the range. Include gas fittings and joints in the range if connections may have been disturbed during installation.
3. **Inspect for leaks. Bubbles appearing around fittings and connections indicate a leak.**
4. If a leak appears, turn off supply line gas shutoff valve and tighten connections.
5. Retest for leaks. Turn gas back on at supply line shutoff valve and reapply leak detection fluid.
6. When no bubbles appear, test is complete. Wipe off all detection fluid residue.



CAUTION:

Never check for leaks with a flame.

Do not continue to the next step until all leaks are eliminated.

Test the Installation

Turn on power at breaker



CAUTION:

If the display flashes and beeps, the polarity of the wiring may be reversed. Reversed polarity can damage the range and can result in electrical shock hazard. Immediately switch off power at the breaker and return to "Connect Electric" on page 12.

Test self-clean lock

Set oven to self-clean. Pull gently on oven door to verify that door is locked. Cancel self-clean mode.

Test Rangetop Burners:

Each burner must be tested for proper lighting, proper flame characteristics on the low setting and proper flame characteristics on the high setting.

Test for proper ignition:

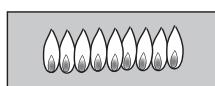
1. Push down and turn the knob to the flame symbol.
2. Verify that the ignitor/spark module clicks.
3. Once the air has been purged from the supply lines, verify that the burner lights within four (4) seconds. After burner lights, turn knob to the off position.
4. Test each rangetop burner in this fashion. Call Service if any of the burners do not light.

Test flame characteristics on the low setting:

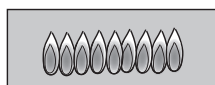
1. Push in and turn the knob to the flame symbol until the burner ignites.
2. Turn knob quickly to the low setting.
3. Verify that the flame is:
 - A minimum height (approximately 1/4" or 6 mm).
 - Steady (The flame should not go out, lift or blow off of the burner. It should carry over, or surround, the entire burner.)
 - The right color. It should be blue with an inner and outer cone. See Figure 24: Checking Flame Characteristics for more information.
4. Test each rangetop burner in this fashion. If any flame goes out, does not carry over properly or is too large, contact service.

Test flame characteristics on the high setting:

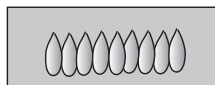
1. Push in and turn the knob to the flame symbol until the burner ignites.
2. Turn knob to the high setting.
3. Verify that the flame is:
 - Steady (The flame should not go out, lift or blow off of the burner. It should carry over, or surround, the entire burner.)
 - The right color. It should be blue with an inner and outer cone. See Figure 24: Checking Flame Characteristics for more information.
4. Test each rangetop burner in this fashion. If any flame burns yellow or does not carry over properly, contact service.



Yellow Flames:
Further adjustment is required.



Yellow Tips on Outer Cones:
Normal for LP Gas.



Soft Blue Flames:
Normal for Natural Gas.

If the flame is completely or mostly yellow, verify that the regulator is set for the correct fuel. After adjustment, retest.

Some yellow streaking is normal during the initial start-up. Allow unit to operate 4-5 minutes and re-evaluate.

Figure 24: Checking Flame Characteristics

When correct color, carryover and size are verified, installation is complete.

Service

Before Calling Service

See Use and Care Manual for troubleshooting information. Refer to the Warranty in the Use and Care Manual.

To reach a service representative, see the contact information at the front of the manual. Please be prepared with the information printed on your product data plate when calling.

Product Data Plate

The data plate shows the model and serial number. Refer to the data plate on the appliance when requesting service. It is located on the frame near the drawer. Open the drawer to view it.

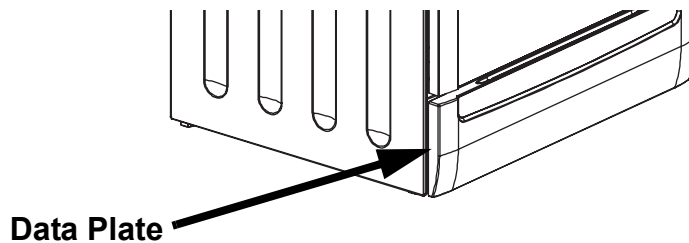


Figure 25: Data Plate

Table des matières

Sécurité	1
Instructions de sécurité importantes	1
Installation	4
Avant de commencer	4
Généralités	4
Outils et pièces nécessaires	4
Pièces comprises	5
Généralités	5
Préparation	5
Procédure d'installation	12
Apposer du ruban mousse	12
Installer la garniture de dossier	12
Connexion électrique	13
Connexion de l'alimentation en gaz	17
Vérifier les fuites de gaz	22
Vérifier l'installation	23
Service	25
Avant d'effectuer un appel de service	25
Plaque signalétique	25

Questions?

1.800.944.2904

www.boschappliances.com

5551 McFadden Ave.
Huntington Beach, CA 92649

Nous attendons vos nouvelles !

Sécurité



INSTRUCTONS DE SÉCURITÉ IMPORTANTES

LIRE ET CONSERVER CES INSTRUCTIONS

Instructions de sécurité importantes

AVERTISSEMENT :

Ne pas réparer ni remplacer les pièces de l'appareil à moins que cela ne soit spécifiquement recommandé dans les guides. Une installation, un service ou un entretien inadéquat peut causer des dommages à la propriété ou des blessures. Consulter ce guide. Tout autre service doit être effectué par un technicien qualifié.

Sécurité relative à l'équipement

AVERTISSEMENT :

Toute cuisinière peut basculer et causer des blessures. Installer le dispositif anti bascule fourni avec l'appareil. S'assurer que le dispositif est bien enclenché. Voir les instructions d'installation.



Figure 1: Précautions de bascule

- Enlever tout ruban et emballage avant d'utiliser l'appareil. Jeter l'emballage. Ne jamais laisser les enfants jouer avec le matériel d'emballage.
- Ne jamais modifier ni changer la fabrication de l'appareil. Par exemple, ne pas enlever les pieds niveleurs, panneaux, fils, couvercles ni dispositifs anti bascule/vis.
- Pour éliminer le risque de brûlures ou d'incendie en passant par dessus une surface chaude, il serait préférable d'éviter le rangement au-dessus de l'appareil. S'il y a un espace de rangement, le risque peut être réduit en installant une hotte à projection horizontale de 5 po minimum du bas de l'armoire.
- S'assurer que les armoires au-dessus de la surface de cuisson ont un minimum de 13 po (330 mm) de profondeur.

Sécurité pour manipuler l'appareil

- Ne pas soulever l'appareil par la poignée. Enlever la porte pour faciliter la manutention et l'installation. Voir les instructions du guide d'utilisation et d'entretien.
- L'appareil est lourd et il faut au moins deux personnes ou un équipement approprié pour le déplacer.
- Certaines surfaces présentent des bords tranchants. Faire attention en allant derrière ou sous l'appareil.

Normes et codes de sécurité

- Cet appareil est conforme à une ou plusieurs des normes suivantes :
 - UL 858, norme pour la sécurité des cuisinières électriques domestiques
 - UL 923, norme pour les appareils de cuisson micro-ondes
 - UL 507, norme pour les ventilateurs électriques
 - ANSI Z21.1-2005, norme nationale américaine pour appareils de cuisson à gaz domestiques
 - CAN/CSA-C22.2 n° 113-M1984 ventilateurs

- CAN/CSA-C22.2 n° 61-M89 cuisinières domestiques

Il incombe au propriétaire et à l'installateur de déterminer si des exigences et/ou des normes additionnelles s'appliquent à une installation spécifique.

- L'installation doit être conforme aux codes locaux ou, en l'absence des codes locaux, avec le Code de combustible à gaz national, ANSI Z223.1/NFPA 54.
- L'appareil doit être mis à la terre conformément aux codes locaux, ou en l'absence des codes locaux, avec le Code national d'électricité ANSI/ NFPA 70, dernière édition. (Au Canada, l'installation doit être conforme aux codes d'installation CAN 1-B149.1 et .2 et aux codes d'installation pour appareils à gaz et/ou aux codes locaux).

Sécurité électrique

- Avant de brancher l'appareil, s'assurer que tous les contrôles sont en position ARRÊT.
- Pour les appareils dotés d'un cordon et d'une fiche, ne pas couper ni enlever la broche de mise à la terre. Il doit être branché sur une prise mise à la terre appropriée pour éviter les chocs électriques. En cas de doute concernant la mise à la terre adéquate de la prise, la faire vérifier par un électricien qualifié.
- Si requis par le Code national d'électricité (ou le Code canadien d'électricité), cet appareil doit être installé sur un circuit terminal séparé.
- Seul un nécessaire de cordon d'alimentation coté pour cet appareil et marqué (pour utilisation avec cuisinières) peut être utilisé.
- Installateur - indiquer au propriétaire l'emplacement du coupe-circuit ou du fusible. Le noter à des fins de références.
- Important - conserver pour utilisation par l'inspecteur en électricité local.
- Avant l'installation, mettre l'alimentation hors circuit au panneau de service, le verrouiller pour éviter la mise en circuit accidentelle.
- S'assurer que l'appareil est installé et mis à la terre adéquatement par un technicien qualifié. L'installation, les connexions électriques et la mise à la terre doivent être conformes à tous les codes applicables.

Sécurité relative aux équipements à gaz

- Installer une soupape d'arrêt de gaz près de l'appareil. Elle doit être facilement accessible en cas d'urgence.
- Seul l'installateur doit vérifier les fuites de gaz selon les directives données dans ce guide.
- L'appareil et sa soupape d'arrêt individuelle doivent être débranchés du système d'alimentation en gaz pendant tout test de pression à des pressions excédant ½ lb/po2 (3.5 kPa).
- L'appareil doit être isolé du système de canalisation en gaz en fermant la soupape d'arrêt manuelle individuelle pendant tout test de pression du système de canalisation de gaz à des tes de pression égaux ou inférieurs à ½ lb/po2 (3.5 kPa).
- La pression minimale d'alimentation doit être 1 po C.E. au-dessus de la pression du distributeur, tel qu'indiqué sur la plaque signalétique.

- La pression d'alimentation maximale ne doit pas excéder 14,0 po C.E. (34,9 millibarres).

AVERTISSEMENT : si l'information de ce guide n'est pas suivie exactement, il peut en résulter un incendie ou un choc électrique causant des dommages à la propriété ou des blessures.

- Ne pas ranger ni utiliser de matériaux combustibles, essence ou autres liquides ou vapeurs inflammables à proximité de cet appareil ou de tout autre appareil.
- S'IL Y A UNE ODEUR DE GAZ
 - Ne pas allumer cet appareil.
 - Ne pas toucher aux interrupteurs électriques.
 - Ne pas utiliser le téléphone de l'édifice.
 - Téléphoner immédiatement au fournisseur de gaz chez un voisin. Suivre les instructions du fournisseur de gaz.
 - Si l'on ne peut rejoindre le fournisseur de gaz, téléphoner au service des incendies. L'installation et le service doivent être effectués par un installateur qualifié, une agence de service autorisée ou le fournis-

Figure 2: Précautions du gaz

- Cet appareil a été certifié CSA pour un fonctionnement sécuritaire à une altitude jusqu'à 10 000 pi sans modification. Exception : pour utilisation avec le propane, cet appareil doit être converti selon les instructions de conversion au gaz LP.
- Pour installation au Massachusetts :
 - L'installation doit être effectuée par un entrepreneur qualifié, un plombier ou un installateur de gaz qualifié par l'état, la province ou la région où l'appareil est installé.
 - La soupape d'arrêt doit être munie d'un robinet à poignée en « T ».
 - Le connecteur de gaz flexible ne doit pas mesurer plus de 36 po.
 - Installateur - indiquer au propriétaire où est située la soupape d'arrêt du gaz.

Installation du gaz propane

- Le réservoir de gaz propane doit être doté de son propre régulateur de haute pression. De plus, le régulateur fourni avec l'appareil doit être aussi utilisé.
- Cet appareil est expédié de l'usine pour une utilisation avec le gaz naturel. Il doit être converti pour une utilisation au gaz propane. Un technicien ou un installateur qualifié doit effectuer la conversion.

Installation

Avant de commencer

Généralités

Tableau 1: Généralités

Étape	Tâche
1.	Préparation
2.	Apporter du ruban mousse
3.	Installer la garniture de dossier (optionnelle)
4.	Connexion électrique
5.	Connexion de l'alimentation en gaz
6.	Vérifier les fuites de gaz
7.	Vérifier l'installation

Procéder aux sections suivantes pour les instructions étapes par étapes.

Outils et pièces nécessaires

- Nécessaire d'alimentation de cuisinière (240V -30 amp)
Remarque : non nécessaire pour les installations canadiennes; les appareils pour le Canada sont déjà doté d'un cordon d'alimentation installé.
- Ruban à mesurer
- Tournevis à lame Phillips
- Clé 1 1/4 po (31,8 mm)
- Crayon
- Tournevis T-20
- Vis (2) et ancrages (2) pour fixation anti bascule (style variant selon la surface d'installation)
- Niveau
- Perceuse et mèches
- Eau savonneuse
- Clé
- Ruban téflon
- Pince verrouillable
- Solution pour vérifier les fuites de gaz
- Canalisation d'alimentation en gaz
- Soupape d'arrêt de gaz
- Gants et lunette de sécurité
- Ruban adhésif (optionnel)
- Carton ou chiffon (optionnel pour protéger le plancher)

Pièces additionnelles nécessaires pour installation à raccordement fixe

- Conduit flexible
- Clé dynamométrique
- **Remarque** : nécessaire de cordon d'alimentation non nécessaire pour installation à raccordement fixe

Pièces comprises

- Fixation anti bascule
- Ruban mousse
- Garniture de dossier
- Vis pour garniture de dossier (2)
- Cosses (pour installation à raccordement fixe)
- **Remarque** : non nécessaires pour installation au Canada)

Généralités

Dimensions hors tout

Tableau 2: Dimensions hors tout

Dimension	Poids	Centimètres
Hauteur	36 po	91,44 cm
Largeur	31 po	78,74 cm
Profondeur	25 5/8 po	65,09 cm

Niveau

Pour de meilleurs résultats, les armoires, plans de travail, murs et plancher de l'emplacement doivent être le plus de niveau possible. Les variances peuvent causer des dommages au plan de travail et au plancher pendant l'installation; cela peut aussi nuire au joint autour de la plaque de cuisson ainsi qu'à la cuisson.

Préparation

Préparer l'appareil

Enlever tout matériel d'emballage et jeter.



AVERTISSEMENT :

Enlever tout ruban et emballage avant d'utiliser l'appareil. Jeter l'emballage. Ne jamais laisser les enfants jouer avec le matériel d'emballage.



Conseil :

Placer la cuisinière sur un carton pour protéger le plancher.

Retirer le tiroir et mettre de côté

1. Tirer complètement le tiroir.
2. Repérer les pinces de verrouillage, une de chaque côté.
3. Pousser la pince vers le haut sur le rail gauche. Tirer le tiroir jusqu'à ce que la pince verrouille en place.
4. Pousser sur la pince sur le rail droit. Tirer le tiroir jusqu'à ce que la pince verrouille en place.
5. Tirer le tiroir droit et le mettre de côté.
6. Pousser le rail dans l'appareil.

Enlever la porte et la mettre de côté.**AVERTISSEMENT :**

Au moment d'enlever la porte :

- S'assurer que le four est froid et que l'alimentation est coupée avant d'enlever la porte, sinon il peut en résulter un choc électrique ou des brûlures.
- La porte du four est lourde et fragile. Utiliser les deux mains pour enlever la porte. Le devant de la porte est en verre; manipuler avec soin pour éviter les bris.
- Saisir les côtés de la porte. Ne pas saisir la poignée, elle peut basculer et causer des dommages ou des blessures.
- Il faut bien saisir la porte fermement sinon il peut en résulter des dommages au produit ou des blessures.
- Pour éviter des blessures des charnières s'enclenchant en place, s'assurer que les deux leviers sont bien en place avant d'enlever la porte. Ne pas forcer la porte pour la fermer ou l'ouvrir - cela peut endommager la charnière et causer des blessures.

1. S'assurer de lire l'AVERTISSEMENT ci-dessus avant d'enlever la porte.
2. Ouvrir la porte à mi chemin.
3. Tirer les leviers de charnières (un de chaque côté) vers soi.

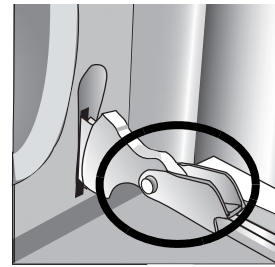
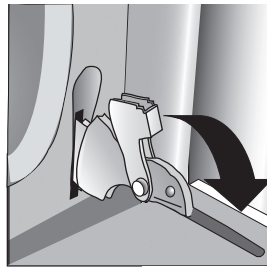
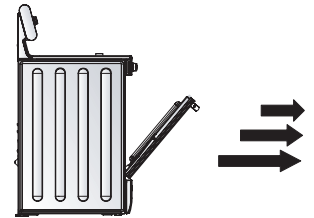


Figure 3: Position de charnière

4. Fermer la porte jusqu'à ce qu'elle arrête, environ à mi chemin.
5. Tenir fermement la porte par les côtés à l'aide des deux mains, tirer la porte droit hors des fentes de charnières. Tenir la porte fermement, elle est lourde.
6. Placer la porte dans un endroit sécuritaire.

**Exigences électriques**

Consulter la plaque signalétique pour plus de détails. Voir "Plaque signalétique" à la page 25 pour l'emplacement.

Nous recommandons que la cuisinière soit installée avec un nécessaire de cordon d'alimentation (non fourni). La cote électrique du cordon d'alimentation doit être de 120/240 volts, 30 ampères minimum (selon les codes locaux). Le nécessaire de cordon d'alimentation doit être marqué (Pour utilisation avec cuisinières). Toujours utiliser un nouveau cordon d'alimentation.



Remarque :

Au Canada, la cuisinière est expédiée de l'usine avec le cordon déjà en place.

Les cuisinières sont une cote jumelée pour une utilisation avec le 120/240 VAC ou 120/208 CAV. Vérifier la plaque signalétique pour la cote kW. Voir la cote kW dans le tableau ci-dessous pour déterminer les exigences d'ampérage.

Tableau 3: Données techniques électriques

kW Cote		Hz	Amps Requis
120/240V	120/208V		
6,2	4,8	60	30

La prise électrique doit être située dans la zone ombragée, voir "Emplacement de sortie électrique et canalisation en gaz" à la page 8.

Vérifier si le câblage résidentiel est adéquat

Communiquer avec la compagnie d'électricité locale pour s'assurer que le service électrique de la résidence est adéquat. Dans certains cas, le calibre du câblage de la résidence et l'interrupteur de service doivent être augmentés pour supporter la charge électrique requise par la cuisinière.

La plupart des codes de câblages requiert un circuit séparé avec un interrupteur de débranchement séparé et fusibles au panneau de service principal ou un interrupteur séparé et une boîte à fusibles.

La cuisinière requiert un circuit minimum de trois fils 120/240 ou 120/208 volts, 30 amp., 60 Hz c.a. Vérifier les codes locaux concernant la cote d'ampérage appropriée. La connexion à 4 fils est recommandée.

La plupart des codes et règlements de construction locaux requièrent que le câblage électrique soit effectué par un électricien qualifié. S'assurer d'installer la cuisinière conformément aux codes électriques de la région.

Exigences pour le gaz



ATTENTION :

S'assurer que la soupape d'arrêt de gaz et tous les contrôles de brûleurs sont en position ARRÊT avant de commencer.

Fermer la soupape d'alimentation en gaz principale avant de débrancher l'ancienne cuisinière et la laisser fermer tant que les nouveaux raccords ne sont pas terminés. **Ne pas oublier de rallumer la veilleuse sur les autres appareils à gaz au moment d'ouvrir le gaz.**

La canalisation d'alimentation en gaz et la prise électrique doivent être situées dans la zone ombragée comme à la Figure 4: Emplacement de sortie électrique et canalisation en gaz.

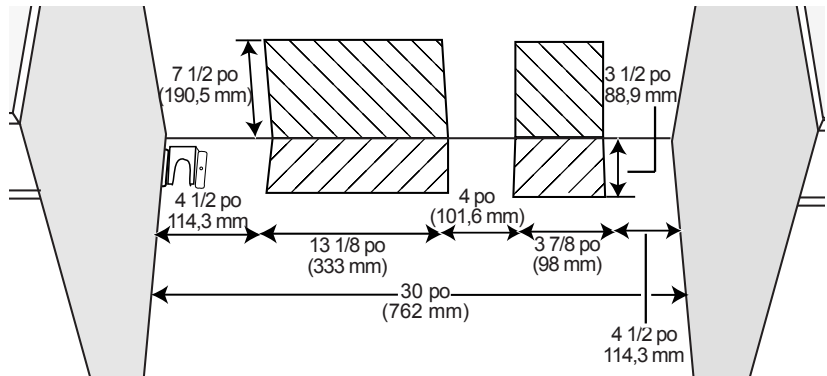


Figure 4: Emplacement de sortie électrique et canalisation en gaz

Si une soupape d'arrêt de gaz n'est pas déjà installée, en installer une dans un endroit facilement accessible. S'assurer que les utilisateurs sachent l'emplacement et comment fermer l'alimentation en gaz à la cuisinière.



Remarque :

l'installateur doit indiquer l'emplacement de la soupape d'arrêt de gaz au propriétaire.

Remarque importante aux utilisateurs de gaz LP

La cuisinière est expédiée de l'usine pour utilisation avec le gaz naturel. Pour le gaz propane (LP), il faut que la cuisinière soit convertie à l'aide du nécessaire de conversion au gaz LP.

Exigences pour les armoires

Cet appareil est conçu pour une installation à proximité d'un mur adjacent et surfaces fabriqués de matériaux combustibles. Préparer le plan de travail et les armoires comme illustré à Figure 5: Exigences de découpe - installation typique.

Allouer un minimum de 30 po entre les armoires où la cuisinière doit être installée.

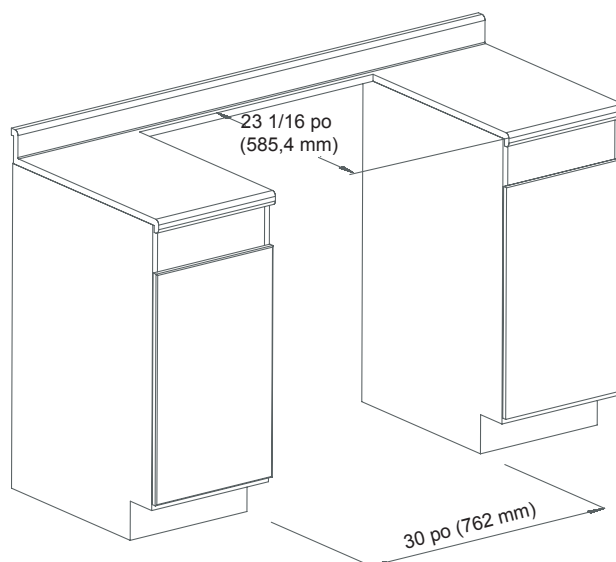


Figure 5: Exigences de découpe - installation typique



Remarque :

La cuisinière à encastrer peut aussi remplacer une cuisinière amovible. Dans ce cas vérifier que l'ouverture a au moins 30 po.

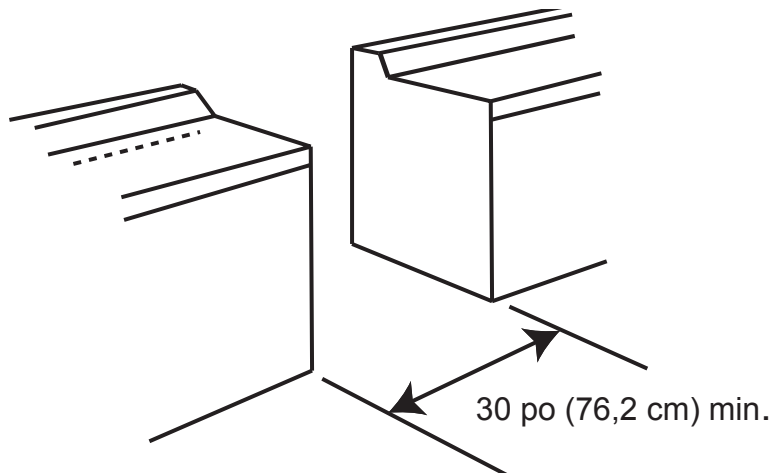


Figure 6: Exigences de découpe - remplacement d'un modèle amovible

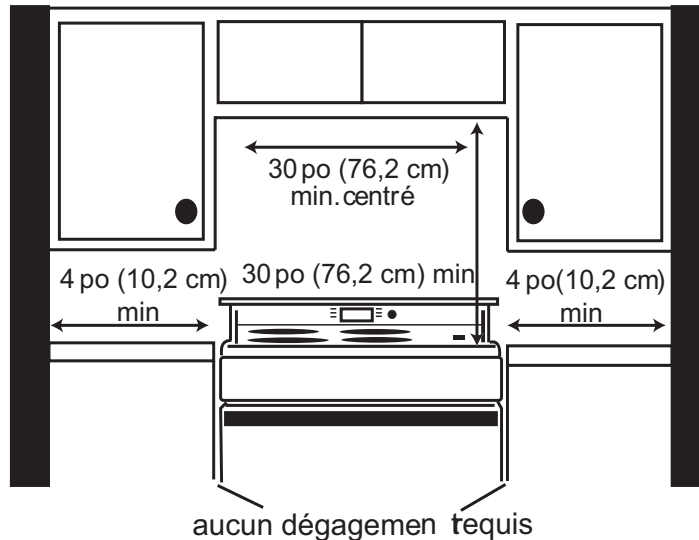


Figure 7: Préparation de l'armoire

Dégagements requis¹



AVERTISSEMENT :

Pour éliminer le risque de brûlures ou d'incendie en passant par dessus une surface chaude, il serait préférable d'éviter le rangement au-dessus de l'appareil. S'il y a un espace de rangement, le risque peut être réduit en installant une hotte à projection horizontale de 5 po minimum du bas de l'armoire.

De la surface de cuisson aux matériaux au-dessus : Il doit y avoir un dégagement minimum de 30 po entre le haut de la surface de cuisson et le bas d'une armoire en métal ou en bois non protégé. Voir Figure 7: Préparation de l'armoire.

24 po sont acceptables lorsque le bas d'armoire en bois ou en métal sont protégées par (a) pas moins de 1/4 po de matériaux ignifuges qui doivent être recouverts avec (b) une feuille en métal de pas moins de n° 28 MSG, acier inoxydable 0.015 po ou 0.024 po d'aluminium ou de cuivre.

Depuis les murs de la cuisinière aux matériaux adjacents : Voir Figure 7: Préparation de l'armoire. Aucun dégagement n'est nécessaire depuis les murs de l'appareils aux murs combustibles verticaux adjacents sur l'arrière, gauche ou droite.

Le dégagement de la cuisinière aux murs verticaux adjacents doit être d'au moins 4 po.



Remarque :

Certains finis d'armoires ne peuvent supporter les températures permises par U.L., particulièrement avec four autonettoyant ; les armoires peuvent décolorer ou tacher. Ceci est plus remarquable avec les armoires laminées.

1. Les instructions sont déterminées en utilisant des armoires standard de type américain. Les armoires de base standard mesurent 36 po de haut par 24 po de profondeur. Les armoires supérieures et celles adjacentes aux armoires au-dessus de la surface de cuisson mesurent 13 po de profondeur depuis le mur arrière. S'il s'agit d'armoires non standard, il faut prendre soin de modifier les dimensions en conséquence.

Préparer murs et planchers

Sceller tout trou dans les murs et plancher. Enlever toute obstruction (connexions électriques ou de gaz additionnelles, etc.) afin que la cuisinière soit adéquatement appuyée au mur.

Exigences de plan de travail

Le plan de travail doit être uni et de niveau.

Exigences de fixation**Installer le dispositif anti bascule**

1. Mesurer la position de la fixation comme illustré en la Voir Figure 8: Dispositif anti bascule.
2. Fixer avec 2 vis appropriées pour la surface d'installation (ex. : pour plancher en bois, utiliser des vis à bois, pour le ciment, utiliser des ancres et des vis).

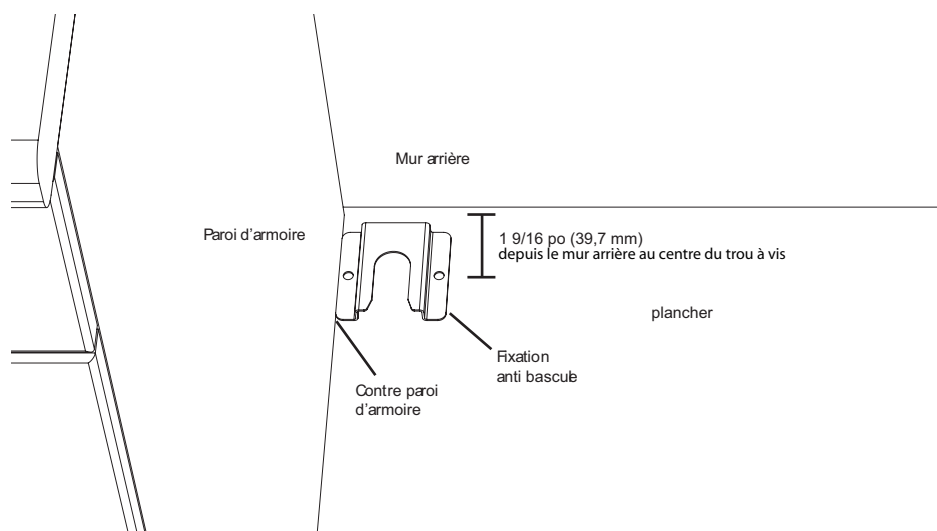


Figure 8: Dispositif anti bascule

Recommandation de ventilation

Nous recommandons l'installation d'une hotte au-dessus de l'appareil. Pour la plupart des cuisines, une hotte certifiée ayant une cote de pas moins de 300 pi³/min est recommandée. La hotte doit être installée selon les instructions fournies avec l'appareil.

Procédure d'installation

Apporter du ruban mousse

Apporter du ruban mousse sur le côté inférieur de la garniture de surface de cuisson en une pièce continue.

Installer la garniture de dossier



Remarque :

Cette étape est requise seulement si le plan de travail n'est pas relié derrière la cuisinière (par exemple, lorsque l'on remplace une cuisinière amovible). Voir "Exigences pour les armoires" à la page 8 pour plus de détails.

Installer deux vis par les trous de la garniture et le dossier de la cuisinière. Voir Figure 9: Bande de garniture de dossier et Figure 10: Installer la bande de garniture de dossier.

Bande de garniture de dossier

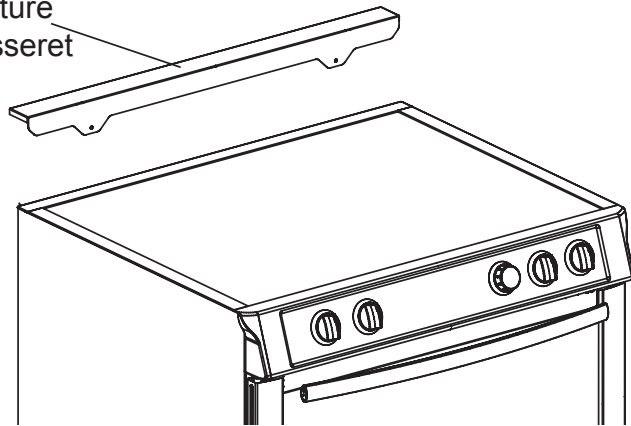


Figure 9: Bande de garniture de dossier

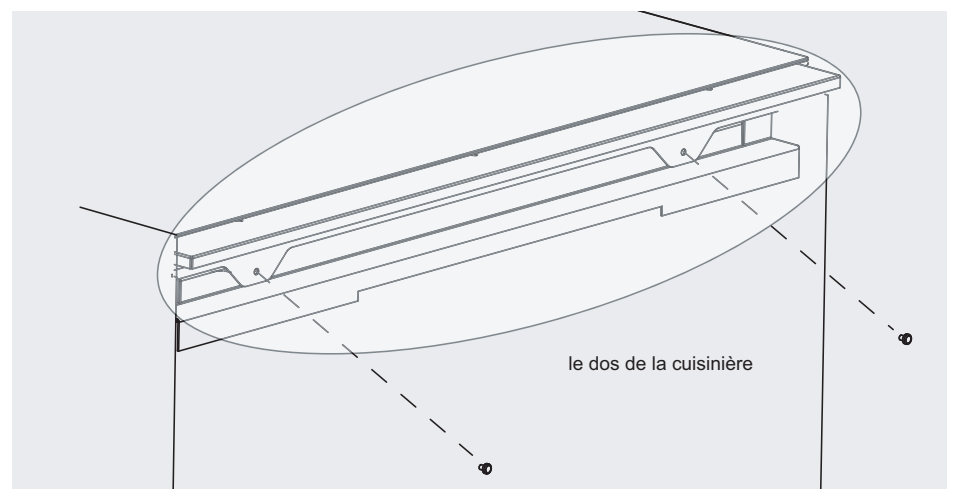


Figure 10: Installer la bande de garniture de dossier

Connexion électrique

Il y a deux sortes de connexions électriques possibles :

1. Cordon de cuisinière à 4 fils
2. Cordon de cuisinière à 3 fils

La connexion à 4 fils est recommandée, mais là où les codes locaux le permettent, la connexion à 3 fils est acceptable.



Remarque :

Au Canada, la cuisinière est expédiée de l'usine avec un cordon déjà installé. Passer à "Connexion de l'alimentation en gaz" à la page 17.

Pour les installations autres qu'au Canada, brancher le cordon de la cuisinière au bloc de bornes. (voir la page suivante pour plus de détails). Accéder au bloc de bornes en enlevant le couvercle dans le coin inférieur droit du panneau arrière de la cuisinière.

Installation du réducteur de tension

Placer un réducteur de tension dans le trou à estamper sous le bloc de bornes. Voir Figure 11: Trou à estamper du réducteur de tension.



AVERTISSEMENT :

Le réducteur de tension fourni avec la cuisinière doit être installé adéquatement.

Les modèles varient. Lire attentivement les instructions fournies avec le réducteur de tension.

1. Dans le panneau à estamper sous le block de bornes, enlever l'estampe correspondant au réducteur de tension.
2. Alimenter le cordon de la cuisinière par le trou et le réducteur de tension jusqu'au bloc de borne.
3. Laisser du mou entre le réducteur de tension et le bloc de bornes.

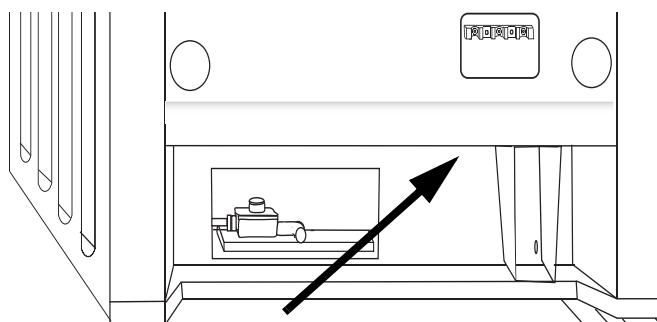


Figure 11: Trou à estamper du réducteur de tension



Conseil :

Le panneau à estamper (sous le bloc de bornes) peut être enlevé de la cuisinière pour installer le réducteur de tension. Enlever le panneau de la cuisinière, installer le réducteur de tension sur le panneau, puis remettre en place. NE PAS enlever complètement le panneau arrière de l'appareil.



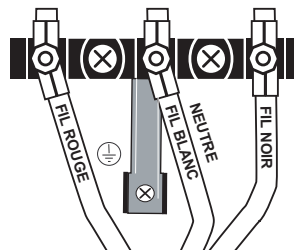
AVERTISSEMENT :

Risque de choc électrique ou d'incendie. Le cadre mis à la terre au neutre par le conducteur de terre. La mise à la terre par le conducteur neutre est interdit pour les nouvelles installations de circuit terminal (1996 NEC), maisons mobiles et véhicules récréationnels ou dans les endroits où les codes interdisent la mise à la terre par un conducteur neutre.

Pour les installations où la mise à la terre par le conducteur neutre est interdite, (a) débrancher le lien du neutre, (b) utiliser la borne de terre ou le fil pour mettre l'appareil à la terre, (c) brancher la borne neutre sur le fil neutre du circuit terminal de la façon habituelle (lorsque l'appareil doit être branché par un nécessaire de cordon, utiliser un cordon à 4 fils).

Utiliser seulement les nécessaires de cordon cotés 125/250 volts (minimum), 30 ampères et étiquetés (Pour utilisation avec cuisinière). Le réducteur de tension fourni avec le cordon doit être installé selon les instructions fournies avec le cordon.

CONNEXION à 3 FILS



CONNEXION à 4 FILS

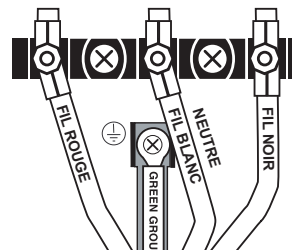


Figure 12: Exigences de mise à la terre



AVERTISSEMENT :

Pour éviter les choc électriques, la broche de mise à la terre du cordon ne doit pas, en aucun cas, être coupée ni enlevée. Elle doit être branchée sur une prise mise à la terre correspondante et branchée sur un circuit 240 volts adéquatement polarisé. En cas de doute concernant la mise à la terre, communiquer avec un électricien qualifié.

Connexion de cuisinière à 4 fils (méthode recommandée)

1. Débrancher l'alimentation électrique au disjoncteur.
2. Enlever le couvercle du bloc de bornes pour exposer le bloc de borne..

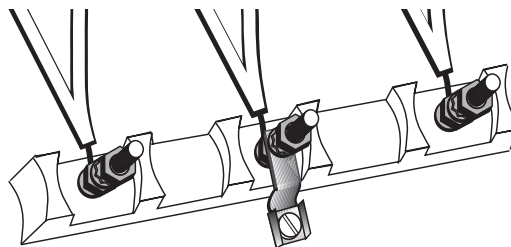


Figure 13: Connexion à 4 fils

3. Enlever l'écrou supérieur, rondelle étoile et rondelle ronde de chaque tige.



Remarque :
NE PAS enlever la dernière rondelle ronde, dernier écrou ou fils de câblage interne.

4. Enlever la vis au bas de l'extrémité du conducteur de terre.
5. Enlever le conducteur de terre de la tige centrale, tourner afin que l'extrémité large soit au haut et fixer l'extrémité large à la cuisinière par le trou sous la boîte de jonction. Fixer le fil vert sur le dessus du conducteur de terre. Serrer la vis.

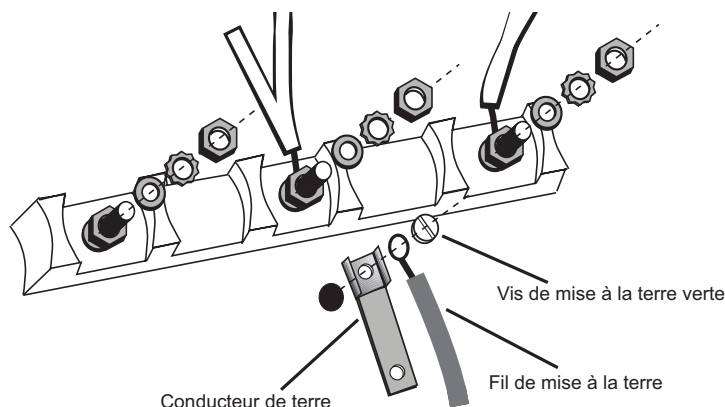


Figure 14: Connexion de cuisinière à 4 fils – conducteur de terre et fil

6. Fixer le fil rouge, rondelle ronde, rondelle étoile et écrou DANS CET ORDRE sur la tige gauche.
7. Fixer le fil blanc, rondelle ronde, rondelle étoile et écrou DANS CET ORDRE sur la tige centrale.
8. Fixer le fil noir, rondelle ronde, rondelle étoile et écrou DANS CET ORDRE sur la tige droite..

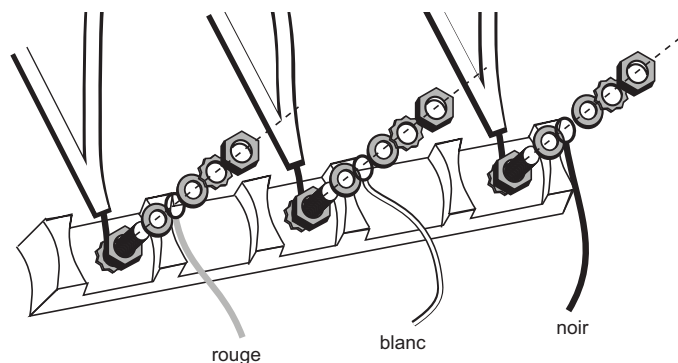


Figure 15: Connexion de cuisinière à 4 fils (suite)

9. Serrer toutes les connexions adéquatement et remettre le couvercle du bloc de bornes.
10. Bien fixer le réducteur de tension (voir rubrique précédente).



Remarque :
NE PAS brancher l'appareil à ce moment.

Connexion de cuisinière à 3 fils

La connexion à 4 fils est préférable, mais là où les codes et règlements permettent la mise à la terre par le neutre et où la conversion à 4 fils n'est pas pratique, l'appareil peut être branché sur l'alimentation électrique par une connexion à 3 fils.

1. Débrancher l'alimentation électrique au disjoncteur.
2. Enlever le couvercle du bloc de bornes pour exposer le bloc de borne.

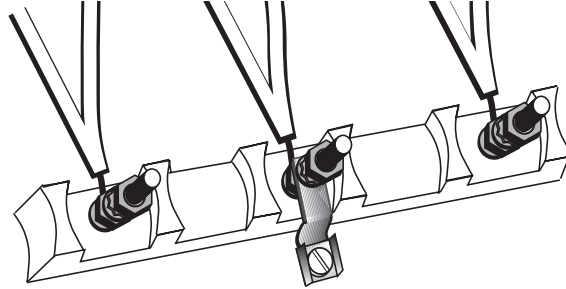


Figure 16: Bloc de bornes

3. Enlever l'écrou supérieur, rondelle étoile et rondelle ronde de chaque tige.



Remarque :

NE PAS enlever la dernière rondelle ronde, dernier écrou ou fils de câblage interne.

4. Fixer le fil blanc, rondelle ronde, rondelle étoile et écrou DANS CET ORDRE sur le dessus du conducteur de terre sur la tige centrale.
5. Fixer le fil rouge, rondelle ronde, rondelle étoile et écrou DANS CET ORDRE sur la tige gauche.
6. Fixer le fil noir, rondelle ronde, rondelle étoile et écrou DANS CET ORDRE sur la tige droite.

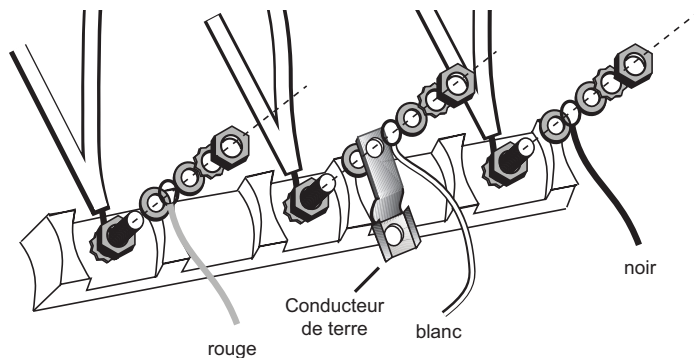
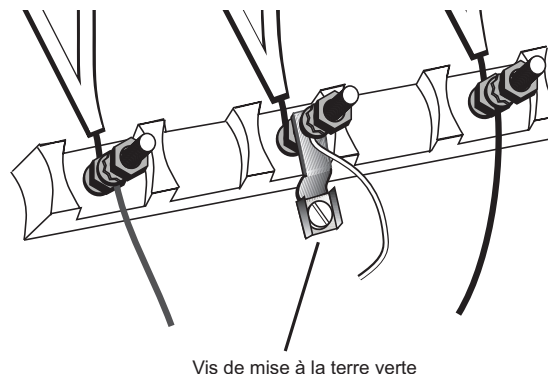


Figure 17: Connexion à 3 fils

7. Serrer toutes les connexions adéquatement et remettre le couvercle du bloc de bornes.



Vis de mise à la terre verte

Figure 18: Connexion à 3 fils complétée

8. Bien fixer le réducteur de tension. Voir "Installation du réducteur de tension" à la page 13 pour les instructions détaillées.



Remarque :
NE PAS brancher l'appareil à ce moment.

Connexion de l'alimentation en gaz

Fermer la soupape d'alimentation en gaz principale avant de débrancher l'ancienne cuisinière et la laisser fermer tant que les nouveaux raccords ne sont pas terminés. **Ne pas oublier de rallumer la veilleuse sur les autres appareils à gaz au moment d'ouvrir le gaz.**

La cuisinière peut être installée avec un tuyau rigide ou un connecteur d'appareil en métal flexible certifié CSA International. Si l'on utilise un connecteur flexible, toujours en utiliser un nouveau.

Appliquer un composant pour joint de tuyau ou du ruban téflon¹ approprié pour le gaz LP et le gaz naturel autour des filets de tuyau mâle pour éviter les fuites.

La connexion de gaz est située sous le panneau arrière de la cuisinière. Voir Figure 19: Emplacement de la connexion de gaz. Elle est accessible par le panneau d'accès du tiroir réchaud ou depuis l'arrière de la cuisinière. Pour accéder au panneau, enlever le tiroir réchaud.

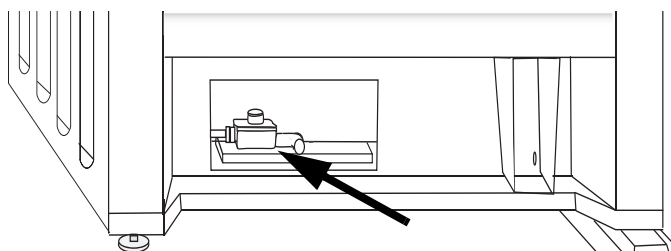


Figure 19: Emplacement de la connexion de gaz

1. Teflon est une marque de commerce de DuPont.

Remarque importantes pour utilisateurs de gaz LP

La cuisinière est expédiée de l'usine pour une utilisation avec le gaz naturel. Pour le gaz propane LP, l'appareil doit être converti à l'aide du nécessaire de conversion LP.

Méthode de connecteur flexible

Si l'on utilise un tuyau rigide, passer à "Méthode avec tuyau rigide" à la page 20.

Fixer le connecteur

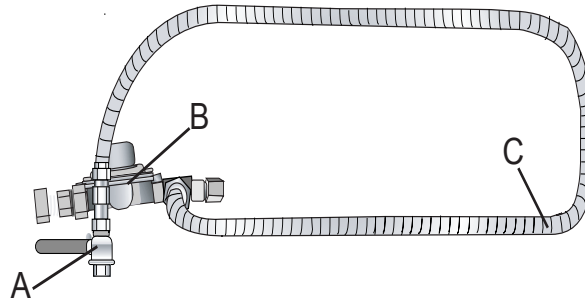


Figure 20: Méthode de connecteur flexible

Tableau 4: Méthode de connecteur flexible

Lettre	Article
A	Soupape d'arrêt de gaz
B	Régulateur
C	Connecteur flexible

1. Installer un adaptateur évasé 1/2 po sur le filet interne 1/2 po NPT de l'entrée de la cuisinière. Utiliser une clé sur le raccord en coude pour éviter tout dommage.
2. Installer un adaptateur joint évasé 1/2 ou 3/4 po sur le filet interne de la soupape d'arrêt manuelle.
3. Brancher le connecteur d'appareil en métal flexible.

Brancher le cordon de la cuisinière

1. S'assurer que le coupe-circuit est hors circuit, puis brancher le cordon de la cuisinière sur le prise électrique.
2. Brancher le connecteur flexible sur la soupape d'entrée de gaz.



ATTENTION :

Avant de brancher le cordon électrique, s'assurer que tous les contrôles sont hors circuit (ARRÊT).

Réglage des pieds niveleurs

1. Aligner la cuisinière devant l'ouverture.
2. Mesurer le coin arrière gauche de l'ouverture depuis le plancher au haut du plan de travail.
3. Mesurer le coin arrière gauche de la cuisinière au bas de la garniture de surface de travail. Utiliser une clé pour régler le niveau du pied jusqu'à ce que cette hauteur soit la même que celle du coin.

4. Répéter avec le coin arrière droit.
5. Régler les pieds niveleurs avant afin que le bas de la garniture de surface de cuisson soit $\frac{1}{2}$ po plus haut que la surface du plan de travail correspondante.

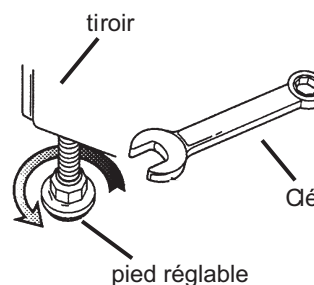


Figure 21: Régler les pieds niveleurs avant

Glisser la cuisinière en place

1. Brancher le cordon d'alimentation.
2. Faire glisser la cuisinière dans l'ouverture en faisant attention à ne pas endommager le plan de travail, plancher ou le devant du tiroir de la cuisinière. Ne pas appliquer de pression à la surface de cuisson au moment de mettre en place. Faire attention à ne pas coincer le connecteur flexible.



Conseil :

1. Si la cuisinière ne peut être glissée facilement : Utiliser de l'eau savonneuse pour humecter les points suivants :
 - Plan de travail
 - Ruban mousse
 - Plancher sous les pieds de la cuisinière
2. Enlever le tiroir pour éviter tout dommage.
3. Pour éviter tout dommage à l'appareil, pousser sur le cadre autour de la cavité du four.

3. Essuyer l'eau savonneuse.

Vérifier le dos de la cuisinière pour une installation adéquate

1. Lorsque bien installée, la garniture de surface de cuisson autour du dos de la cuisinière repose légèrement sur le plan de travail.



Remarque :

au moment de remplacer un modèle amovible, la bande de garniture de dossier doit être à égalité avec le mur.

2. Il ne devrait pas y avoir d'espace entre le plan de travail et la garniture ; toutefois, le poids de la cuisinière ne doit pas reposer sur le plan de travail. Regarder sous l'appareil afin de vérifier si les deux pieds arrière sont solidement au sol. Vérifier si le pied gauche de la cuisinière est inséré sous le dispositif anti bascule.



ATTENTION :

S'assurer que le poids de la cuisinière ne repose pas sur le plan de travail. Ceci peut endommager le plan de travail et l'appareil.

3. Si les pieds arrière ne sont pas solidement au sol ou que le pied gauche n'est pas sous le dispositif anti bascule, sortir la cuisinière, régler les pieds et remettre en place.

Régler le devant de la cuisinière pour une installation adéquate

1. Régler les pieds niveleurs avant afin que la garniture de surface de cuisson repose bien contre le plan de travail tout autour.
2. S'assurer que les deux pieds avant sont solidement au sol.
3. Utiliser un niveau pour vérifier si la cuisinière est bien de niveau.
4. Incliner délicatement la cuisinière vers l'avant pour s'assurer que le dispositif anti bascule est bien enclenché et éviter le basculement.

La connexion de gaz est complétée. Effectuer la "Vérifier les fuites de gaz" à la page 22.

Méthode avec tuyau rigide

Si l'on utilise un connecteur flexible, voir "Méthode de connecteur flexible" à la page 18.

Fixer le tuyau rigide

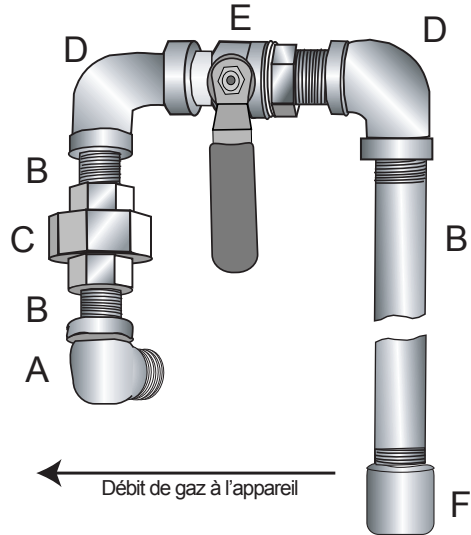


Figure 22: Méthode avec tuyau rigide

Tableau 5: Méthode avec tuyau rigide

Lettre	Article
A	Coude ; brancher sur le régulateur ici
B	Mamelon de tuyau
C	Joint
D	Coude
E	Soupape d'arrêt de gaz
F	Tuyau à gaz 1/2 à 3/4 po

La configuration de la connexion du tuyau rigide dépend de l'emplacement du tuyau de gaz. Voir Figure 22: Méthode avec tuyau rigide par exemple.

Réglage des pieds niveleurs

1. S'assurer que le coupe-circuit est déclenché, puis brancher le cordon de la cuisinière sur la prise électrique.



ATTENTION :

Avant de brancher le cordon électrique, s'assurer que tous les contrôles sont hors circuit (ARRÊT).

2. Aligner la cuisinière devant l'ouverture.
3. Mesurer le coin arrière gauche de l'ouverture depuis le plancher jusqu'au haut du plan de travail.
4. Régler les pieds niveleurs avant afin que le bas de la garniture de la cuisinière soit $\frac{1}{2}$ po plus haut que la surface du plan de travail correspondante.

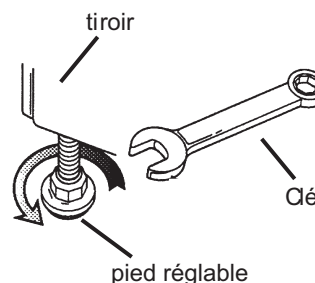


Figure 23: Régler les pieds niveleurs avant

5. Répéter pour le coin arrière droit.
6. Régler les pieds niveleurs avant afin que le bas de la garniture de la cuisinière soit $\frac{1}{2}$ po plus haut que la surface du plan de travail correspondante.

Faire glisser la cuisinière dans l'ouverture

1. Brancher le cordon d'alimentation.
2. Faire glisser la cuisinière dans l'ouverture en prenant soin de ne pas endommager le plan de travail, plancher ni le devant du tiroir. Ne pas appliquer de pression sur la surface de cuisson en poussant l'appareil en position.



Conseil :

1. Si la cuisinière ne peut être glissée facilement, utiliser de l'eau savonneuse pour humecter les points suivants :
 - Plan de travail
 - Ruban mousse
 - Plancher sous les pieds de la cuisinière
2. Enlever le tiroir et la porte pour éviter tout dommage.

Vérifier l'arrière de la cuisinière pour une installation adéquate

1. Lorsque bien installée, la garniture de la surface de cuisson autour de l'arrière de la cuisinière repose légèrement sur le plan de travail.



Remarque :

Pour le remplacement d'un modèle amovible, la bande de la garniture de dosseret doit être à égalité avec le mur.

2. Il ne doit pas y avoir d'espace entre le plan de travail et la garniture; toutefois, le poids de la cuisinière ne doit pas reposer sur le plan de travail. Regarder sous l'appareil pour s'assurer que les deux pieds arrière reposent solidement sur le plancher. Vérifier aussi si le pied arrière gauche est sous la fixation anti bascule.



ATTENTION :

S'assurer que le poids de la cuisinière ne repose pas sur le plan de travail. Ceci peut endommager le plan de travail et l'appareil.

3. Si les pieds arrière ne sont pas solidement sur le plancher ou que le pied arrière gauche n'est pas sous la fixation anti bascule, tirer l'appareil, régler les pieds et faire glisser de nouveau en place.

Régler du devant de la cuisinière pour une installation adéquate

1. Régler les pieds niveleurs avant afin que la garniture de la surface de cuisson repose contre le plan de travail, tout autour.
2. S'assurer que les deux pieds avant reposent solidement sur le plancher.
3. Utiliser un niveau pour vérifier si la cuisinière est de niveau.
4. Pousser l'appareil en position en s'assurant que le pied arrière se glisse sous la fixation anti bascule. La cuisinière est à $\frac{3}{4}$ po du mur lorsque bien installée.
5. Incliner l'appareil vers l'avant pour vérifier si la fixation anti bascule s'enclenche pour éviter de basculer.

Compléter la connexion de gaz

1. Brancher le tuyau sur la cuisinière au joint. Accéder la connexion par le panneau d'accès derrière le tiroir réchaud.

La connexion de gaz est complétée. Effectuer la "Vérifier les fuites de gaz" à la page 22.

Vérifier les fuites de gaz

La vérification des fuites doit être effectuée par l'installateur selon les instructions données dans ce guide.



Remarque :

Faire attention à ne pas appliquer de pression sur l'élément du tiroir réchaud pendant la vérification.

1. Ouvrir le gaz.
2. Appliquer le liquide détecteur de fuites non corrosif sur tous les joints et raccords de la connexion de gaz entre la soupape d'arrêt et la cuisinière. Incluant tous les joints et les raccords entre la soupape d'arrêt et la cuisinière.
3. **Vérifier les fuites. S'il y a des bulles autour des connexions et joints, cela indique une fuite.**

4. S'il y a une fuite, fermer la soupape d'arrêt de gaz de l'alimentation en gaz et serrer les connexions.
5. Vérifier de nouveau les fuites. Ouvrir le gaz à la soupape d'arrêt et appliquer de nouveau du liquide de détection de fuites.
6. Une fois la vérification complétée (il n'y a plus de bulles), le test est terminé. Essuyer les résidus de liquide détecteur de fuites.

**ATTENTION :**

Ne jamais vérifier les fuites avec une flamme.

Ne pas passer à l'étape suivante tant que toutes les fuites ne sont pas éliminées.

Vérifier l'installation

Mettre en circuit au coupe-circuit

**ATTENTION :**

Si l'affichage clignote et émet un bip, la polarité du câblage peut être inversée. Une polarité inversée peut endommager la cuisinière et causer un risque de choc électrique. Fermer l'alimentation au coupe-circuit et retourner à "Connexion électrique" à la page 13.

Vérifier le verrouillage autonettoyage

Regler le four à autonettoyage. Tirer délicatement sur la poignée afin de s'assurer qu'elle est verrouillée. Annuler le mode autonettoyage.

Vérifier les brûleurs :

Chaque brûleur doit être vérifié pour un allumage adéquat ; caractéristiques de flamme aux réglages bas et élevé.

Vérifier l'allumage approprié :

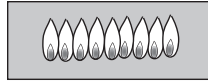
1. Pousser et tourner le bouton jusqu'au symbole de flamme.
2. Vérifier si le module d'allumage/étincelle fait un clic.
3. Une fois que l'air des canalisations d'alimentation est purgé, vérifier si les brûleurs s'allument dans un délai de 4 secondes. Une fois les brûleurs allumés, tourner le bouton en position ARRÊT.
4. Vérifier chaque brûleur de cette façon. Téléphoner au service si un brûleur ne s'allume pas.

Caractéristiques des flammes au réglage bas :

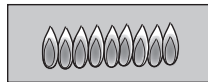
1. Pousser et tourner le bouton au symbole de flamme jusqu'à ce que le brûleur s'allume.
2. Tourner rapidement le bouton au réglage bas.
3. S'assurer que la flamme est :
 - À une hauteur minimale (environ ¼ po ou 6 mm).
 - Stable (la flamme ne doit pas s'éteindre, se soulever, vaciller hors du brûleur. Elle doit être tout autour du brûleur.)
 - Couleur appropriée. Elle doit être bleue avec un cône intérieur et extérieur. Voir Figure 24: Vérification des caractéristiques de flamme pour plus de détails.
4. Vérifier chaque brûleur de cette façon. Si la flamme s'éteint ou n'entoure pas adéquatement le brûleur, téléphoner au service.

Caractéristiques des flammes au réglage bas :

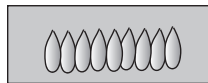
1. Pousser et tourner le bouton au symbole de flamme jusqu'à ce que le brûleur s'allume.
2. Tourner rapidement le bouton au réglage élevé.
3. S'assurer que la flamme est :
 - Stable (la flamme ne doit pas s'éteindre, se soulever, vaciller hors du brûleur. Elle doit être tout autour du brûleur).
 - Couleur appropriée. Elle doit être bleue avec un cône intérieur et extérieur. Voir Figure 24: Vérification des caractéristiques de flamme pour plus de détails.
4. Vérifier chaque brûleur de cette façon. Si la flamme est jaune ou n'entoure pas adéquatement le brûleur, téléphoner au service.



Flamme jaune :
Réglage nécessaire



Pointe jaune sur cône extérieur :
Normal pour gaz LP



Flamme bleue :
Normal pour gaz naturel

Si la flamme est jaune ou presque, vérifier si le régulateur est réglé pour le combustible approprié. Après le réglage, remettre.

Certaines rayures jaunes sont normales pendant la mise en marche initiale. Laisser l'appareil fonctionner de 4 à 5 minutes et réévaluer avec d'effectuer d'autres réglages.

Figure 24: Vérification des caractéristiques de flamme

Lorsque la couleur est adéquate, que la flamme est bonne, l'installation est terminée.

Service

Avant d'effectuer un appel de service

Voir le guide de dépannage du guide d'utilisation et d'entretien. Consulter la garantie.

Pour communiquer avec un représentant de service, voir l'information au début du guide. Avoir l'information imprimée sur la plaque signalétique sous la main avant de téléphoner.

Plaque signalétique

La plaque signalétique donne les numéros de modèle et de série. La consulter au moment de faire un appel de service. Elle est située sur le care près du tiroir. Ouvrir le tiroir pour la voir.

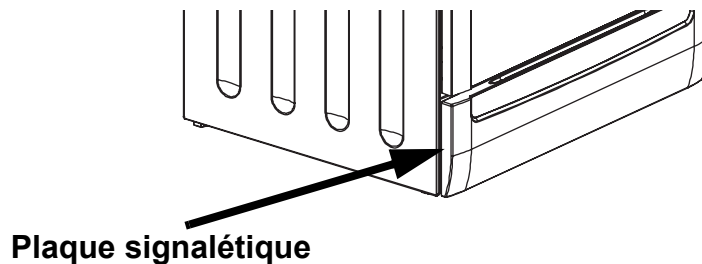


Figure 25: Plaque signalétique

Contenidos

Seguridad	1
Instrucciones Importantes de Seguridad	1
Instalación	4
Antes de comenzar	4
Resumen	4
Herramientas y partes que se necesitan	4
Partes incluidas	5
Información general	5
Preparación	5
Procedimiento de Instalación	12
Aplicar cinta de espuma	12
Instalar la moldura de la pared trasera	12
Conexión eléctrica	13
Conectar el suministro de gas	17
Probar si hay fugas de gas	22
Probar la instalación	23
Servicio	25
Antes de llamar al servicio	25
Placa con datos del producto	25

¿Preguntas?

1-800-944-2904

www.boschappliances.com

5551 McFadden Ave.
Huntington Beach, CA 92649

¡Estámos a sus órdenes!

Seguridad



INSTRUCCIONES IMPORTANTES DE SEGURIDAD

LEA Y GUARDE ESTAS INSTRUCCIONES

Instrucciones Importantes de Seguridad

ADVERTENCIA:

No repare o reemplace ninguna parte del aparato a menos que se recomienda específicamente en los manuales. La instalación, servicio o mantenimiento no apropiado puede causar lesiones o daños a la propiedad. Consulte este manual como guía. Contrate a un técnico calificado para todos los demás servicios.

Seguridad relacionada del equipo

ADVERTENCIA:

Todas las estufas pueden volcarse. Esto puede causar lesiones. Instale el dispositivo antivolcadura que se incluye con la estufa. Verifique que los dispositivos antivolcadura estén enganchados. Vea las instrucciones de instalación.



Figura 1: Precauciones contra volcaduras

- Quite las cintas adhesivas y materiales de empaque antes de usar el aparato. Destruya el cartón y las bolsas de plástico después de desempacar el aparato. Nunca permita que los niños jueguen con el material de empaque.
- Nunca modifique o altere la construcción del aparato. Por ejemplo, no quite las patas de nivelación, paneles, alambres, cubiertas o dispositivos antivolcadura/tornillos.
- Para eliminar el riesgo de sufrir quemaduras o de causar un fuego cuando trata de alcanzar cosas arriba de las unidades superficiales calientes, se debe evitar el espacio de almacenamiento en gabinetes arriba de las unidades superficiales. Cuando se tiene que proporcionar este espacio de almacenamiento, se puede reducir el riesgo al instalar una campana que salga horizontalmente un mínimo de 5 pulgadas (127 mm) arriba del fondo del gabinete.
- Verifique que los gabinetes arriba de la parrilla tengan una profundidad máxima de 13" (330 mm).

Seguridad al manejar el aparato

- No levante el aparato por la agarradera de la puerta. Quite la puerta para facilitar el manejo y la instalación. Vea las instrucciones en el manual de uso y cuidado.
- La unidad está pesada y requiere al menos de dos personas o de un equipo apropiado para moverla.
- Las superficies ocultas pueden tener bordes filosos. Tenga cuidado cuando meta la mano detrás o abajo del aparato.

Códigos de seguridad y normas

- Este aparato cumple con una o más de las siguientes normas:
 - UL 858, La norma para la seguridad de estufas electrodomésticas

- UL 923, La norma para la seguridad de aparatos (hornos) de microondas
- UL 507, La norma para la seguridad de ventiladores eléctricos
- ANSI Z21.1-2005, La norma americana nacional para aparatos domésticos de cocina que funcionan con gas
- CAN/CSA-C22.2 No. 113-M1984 Ventiladores
- CAN/CSA-C22.2 No. 61-M89 Estufas domésticas

Es la responsabilidad del propietario y del instalador determinar si aplican requerimientos y/o normas adicionales a instalaciones específicas.

- La instalación debe cumplir con los códigos locales, o a falta de códigos locales, con el Código Nacional de Gas Combustible, ANSI Z223.1/NFPA 54.
- El aparato debe quedar aterrizado eléctricamente conforme a los códigos locales, o a falta de códigos locales con el Código Eléctrico Nacional ANSI/NFPA 70, última edición. (En Canadá, la instalación debe cumplir con los Códigos de Instalación CAN 1-B149.1 y .2 para aparatos que queman gas y/o códigos locales).

Seguridad eléctrica

- Antes de enchufar un cable eléctrico, asegúrese que todos los controles estén en la posición OFF (Apagado).
- No corte la clavija de tierra en aparatos que incluyen un cable con enchufe. Se debe enchufar en una tomacorriente aterrizada que coincida con el enchufe para evitar una descarga eléctrica. Si tiene alguna duda con respecto a si la tomacorriente está puesta a tierra correctamente, el cliente debería contratar a un eléctrico calificado para revisarla.
- Si el Código Eléctrico Nacional (o el Código Eléctrico de Canadá) lo requiere, se debe instalar este aparato en un circuito derivado separado.
- Se debe utilizar solamente un cable apropiado de alimentación eléctrica para este aparato y marcado "para uso con estufas".
- Instalador - enseñe al propietario el lugar del cortacircuitos o de la caja de fusibles. Márquelo para futuras referencias.
- Importante - Guarde estas instrucciones para el uso del inspector eléctrico.
- Antes de instalar el aparato, apague la corriente en el panel de servicio. Bloquee el panel de servicio para evitar que se prenda la corriente accidentalmente.
- Asegúrese de que su aparato esté instalado y aterrizado correctamente por un técnico calificado. La instalación, las conexiones eléctricas y la puesta a tierra deben cumplir con todos los códigos aplicables.

Seguridad con el gas

- Instale una válvula de cierre de gas cerca del aparato. Debe tener acceso fácil en caso de una emergencia.
- El instalador debe realizar pruebas de fugas conforme a las instrucciones incluidas en este manual.
- Se deben desconectar el aparato y su válvula individual de cierre del sistema de tubería de suministro de gas durante cualquier prueba de presión que excede ½ psi (3.5 kPa).
- Se debe aislar el aparato del sistema de tubería de suministro de gas cerrando su válvula manual de cierre de gas durante cualquier prueba de presión del sistema de suministro de gas a presiones de prueba igual a o menor que ½ psi (3.5 kPa).
- La mínima presión de suministro debe ser 1" columna de agua arriba de la presión del manifold que se encuentra impresa en la placa de datos:

- La máxima presión de suministro no debe exceder 14.0 pulgadas columna de agua (34.9 milibar).

ADVERTENCIA: La falta de observar la información en este manual puede causar un fuego o una explosión, y como resultado daños a la propiedad, lesiones o la muerte.

- No guarde o use materiales combustibles, gasolina u otros vapores y líquidos inflamables cerca de este o cualquier otro aparato
- QUÉ HACER CUANDO HUELE A GAS:
 - No trate de encender ningún aparato.
 - No toque ningún interruptor eléctrico.
 - No use ningún teléfono en su edificio.
 - Llame de inmediato a su proveedor de gas desde el teléfono de algún vecino. Siga las instrucciones de su proveedor de gas.
 - Cuando no pueda localizar a su proveedor de gas, llame a los bomberos. Un instalador calificado, una agencia de servicio autorizada o el proveedor de gas debe realizar la instalación y el servicio.

Figura 2: Precauciones con el gas

- Este aparato ha sido certificado por CSA para una operación segura hasta una altura de 10,000 pies (3,000 metros) sin ninguna modificación. Excepción: Para el uso con gas propano, se debe convertir el aparato conforme a las instrucciones de conversión para gas LP.
- Para instalaciones en Massachusetts:
 - La instalación debe ser realizada por un contratista, plomero o técnico de gas calificado o autorizado, quien está calificado o autorizado por el estado, la provincia o región donde se está instalando este aparato.
 - La válvula de cierre debe ser un grifo de gas en T.
 - El conector flexible de gas no debe medir más de 36 pulgadas.
 - Instalador - muestrele al propietario el lugar de la válvula de cierre de gas.
- El tanque de gas propano debe tener su propio regulador de alta presión. Además, se debe usar también el regulador que se incluye con esta unidad.
- El aparato viene de fábrica para uso con gas natural. Se debe convertir para el uso con gas propano. Un técnico o instalador calificado debe realizar la conversión.

Instalación de gas propano

Instalación

Antes de comenzar

Resumen

Tabla 1: Resumen

Paso	Tarea
1.	Preparación
2.	Aplicar cinta de espuma
3.	Instalar la moldura de la pared trasera (opcional)
4.	Conexión eléctrica
5.	Conectar el suministro de gas
6.	Probar si hay fugas de gas
7.	Probar la instalación

Proceda a las secciones siguientes para instrucciones de paso a paso.

Herramientas y partes que se necesitan

- Cable de alimentación eléctrica de la estufa (240V -30 Amp)
Nota: no se necesita para instalaciones en Canadá; Las unidades para Canadá son embarcadas con el cable de alimentación instalado.
- Cinta de medir
- Destornillador de cabeza Phillips (de cruz)
- Llave inglesa de 1-1/4" (31.8 mm)
- Lápiz
- Destornillador de cabeza Torx T-20
- Tornillos (2) y anclas (2) para el soporte antivolcadura (El estilo varía dependiendo de la superficie de montaje)
- Niveleta
- Taladro y broca
- Agua con jabón
- Llave para tubos
- Cinta de Teflón
- Pinzas cocodrilo
- Solución de prueba para fugas de gas
- Línea de suministro de gas
- Válvula de cierre de gas
- Guantes y lentes de seguridad
- Cinta (opcional)
- Trapo o cartón (opcional - para proteger el piso)

Partes adicionales que se necesitan para instalaciones permanentes

- Conducto flexible
- Llave inglesa
- **Nota:** No se necesita el kit del cable de alimentación eléctrica con instalaciones permanentes

Partes incluidas

- Soporte antivolcadura
 - Cinta de espuma
 - Moldura de la pared trasera
 - Tornillos para la moldura de la pared trasera (2)
 - Terminales de orejeta (se usan con instalaciones permanentes)
- Nota:** no se necesitan para instalaciones en Canadá

Información general**Dimensiones generales****Tabla 2: Dimensiones generales**

Dimensiones	Pulgadas	Centímetros
Altura	36"	91.44 cm
Ancho	31"	78.74 cm
Profundidad	25 5/8"	65.09 cm

Nivel

Para lograr mejores resultados, las paredes y los pisos de los gabinetes y de la cubierta deben ser lo más nivelados y desplomados posible en el lugar de la instalación. Una variación puede dañar las cubiertas y los pisos durante la instalación, podría perjudicar el sello alrededor de la parrilla y pueden afectar adversamente el desempeño durante la cocción y el horneado.

Preparación**Preparar la unidad**

Quitar todos los materiales de embalaje y desecharlos.

**ADVERTENCIA:**

Quite las cintas adhesivas y materiales de empaque antes de usar el aparato. Destruya el cartón y las bolsas de plástico después de desempacar el aparato. Nunca permita que los niños jueguen con el material de empaque.

**Consejo:**

Coloque la estufa sobre una pieza del cartón para proteger los pisos.

Sacar el cajón y guardarlo a un lado.

1. Jale el cajón completamente.
2. Localice los ganchos de bloqueo en los rieles, uno en cada lado.
3. Empuje el gancho en el riel izquierdo hacia arriba. Jale el cajón hasta que el gancho entre a presión.
4. Empuje el gancho en el riel derecho hacia abajo. Jale el cajón hasta que el gancho entre a presión.
5. Jale el cajón completamente y guárdelo a un lado.
6. Empuje los rieles hacia adentro de la estufa.

Quitar la puerta del horno y guardarla a un lado.



ADVERTENCIA:

Cuando quite la puerta:

- Asegúrese que el horno esté frío y que se haya apagado la corriente antes de quitar la puerta. De otro modo puede causar una descarga eléctrica o quemaduras.
- La puerta del horno está pesada y frágil. Use ambas manos para quitar la puerta. El frente de la puerta está hecha de vidrio, Tenga cuidado de no romperla.
- Agarre sólo los costados de la puerta del horno. No use la agarradera ya que puede girar en su mano y causar daños o heridas.
- Si no agarra la puerta del horno firmemente y de modo correcto, puede causar lesiones o dañar el producto.
- Para evitar lesiones de un soporte de bisagra que se cierra de repente, asegúrese que ambas palancas estén fijadas en sus lugares antes de la puerta. No aplique fuerza para abrir o cerrar la puerta - se puede dañar la bisagra y causar lesiones.

1. Asegúrese de leer la ADVERTENCIA anterior antes de tratar de quitar la puerta del horno.
2. Abra la puerta completamente.
3. Voltee las palancas en las bisagras hacia usted (una en cada lado).

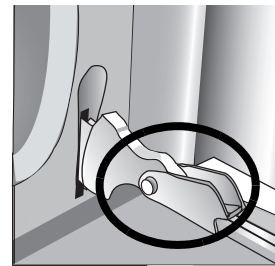
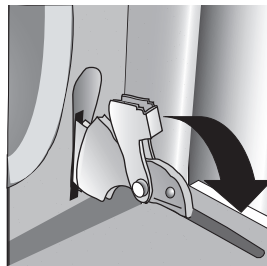
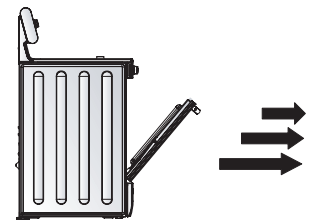


Figura 3: Posiciones de las bisagras

4. Cierre la puerta hasta que se detenga. Quedará mitad abierta.
5. Sosteniendo la puerta firmemente en ambos costados con ambas manos, jale la puerta y sáquela de las ranuras de las bisagras. Sostenga la puerta firmemente, ya que pesa mucho.
6. Coloque la puerta en un lugar estable.



Requerimientos eléctricos

Consulte la placa con información para más detalles. Vea “Placa con datos del producto” en la página 25 para ubicar la placa de información.

Recomendamos instalar la estufa con un cable de alimentación (no se incluye). La capacidad eléctrica del cable de alimentación debe ser 120/240 volts, 30 amperes mínimo). El cable de alimentación eléctrica debe estar marcado “Para uso con estufas.” Siempre use un cable de alimentación nuevo.



Nota:

En Canadá se envía la estufa desde la fábrica con el cable de alimentación ya instalado.

Las estufas funcionan con doble voltaje ya sea con 120/240 VAC o 120/208 VAC. Revise la placa de información para la capacidad en kW. Tome referencia de la capacidad kW en la tabla abajo para determinar los requerimientos del amperaje.

Tabla 3: Especificaciones eléctricas

Régimen de kW		Hz	AMPS Requeridos
120/240V	120/208V		
6.2	4.8	60	30

La tomacorriente debe quedar ubicada en el espacio sombreado ilustrada en la "Ubicación de la línea de suministro de gas y de la tomacorriente eléctrica" en la página 8.

Verificar que el cableado a la casa sea apropiado

Contacte a su proveedor local de electricidad para verificar que el servicio eléctrico actual en su casa sea el adecuado. En algunos casos, se debe aumentar el tamaño del cableado a la casa y al interruptor de servicio para poder manejar la carga eléctrica exigida por la estufa.

La mayoría de los códigos de cableado requieren un circuito separado con un desconectador y fusibles separados ya sea en el panel de la entrada principal o en una caja separada de interruptores y fusibles.

La estufa requiere mínimo un circuito de tres cables de 120/240 o 120/208 volts, 30 AMP, 60 Hz AC. Revise los códigos locales para el amperaje apropiado. Una conexión con cuatro cables es preferible.

La mayoría de los códigos locales de construcción requieren que un eléctrico autorizado realice el cableado eléctrico. Asegúrese de instalar su estufa conforme a los códigos eléctricos que aplican en su región.

Requerimientos de gas



PRECAUCIÓN:

Asegúrese que la válvula de cierre de gas y todos los controles de los quemadores estén en la posición OFF (Apagado) antes de comenzar.

Cierre la válvula principal de suministro de gas antes de desconectar la estufa vieja y déjela cerrada hasta terminar la conexión nueva. **No olvide de prender el piloto en otros aparatos de gas cuando vuelva a abrir el gas.**

Se deben ubicar la línea de suministro de gas y la tomacorriente eléctrica en el espacio sombreado que se muestra en la Figura 4: Ubicación de la línea de suministro de gas y de la tomacorriente eléctrica.

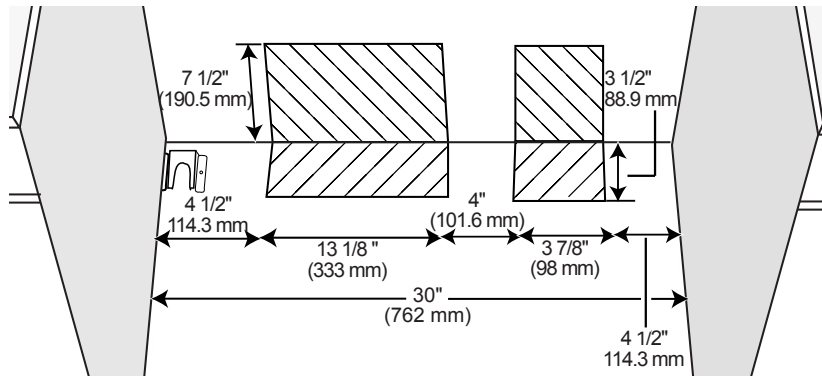


Figura 4: Ubicación de la línea de suministro de gas y de la tomacorriente eléctrica

Si aún no existe, instale la válvula de cierre de gas en un lugar de fácil acceso. Asegúrese que todos los usuarios sepan dónde y cómo cerrar el suministro de gas a la estufa.



Nota:

El instalador debería mostrarle al usuario del aparato el lugar de la válvula de cierre de gas.

Nota importante para usuarios de gas LP

La estufa viene de fábrica para el uso con gas natural. Si quiere usarla con gas propano (LP), primero debe convertir su estufa con el kit de conversión a gas LP.

Requerimientos para los gabinetes

Esta unidad está diseñada para una instalación cerca de paredes adyacentes y las superficies salientes que son hechas de materiales combustibles. Prepare la cubierta y los gabinetes como se muestra en la Figura 5: Requerimientos del recorte - instalación típica.

Permita un mínimo de 30 pulgadas (762 mm) entre los gabinetes donde se va a instalar la estufa.

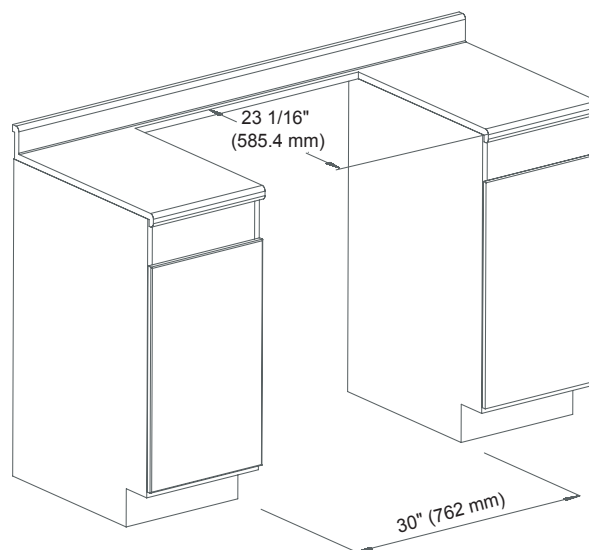


Figura 5: Requerimientos del recorte - instalación típica



Nota:

La estufa deslizante puede sustituir también a una estufa autoestable. En este caso, verifique que la abertura sea de al menos 30 pulgadas (762 mm).

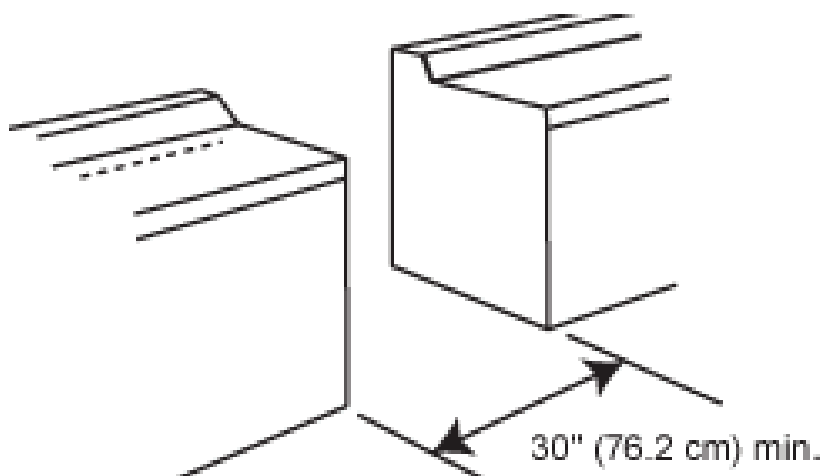


Figura 6: Requerimientos del recorte - sustituir un modelo autoestable

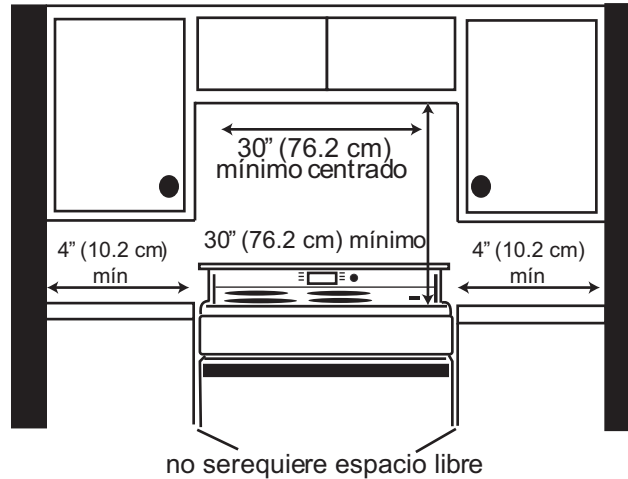


Figura 7: Preparación para los gabinetes

Requerimiento para espacio libre¹



ADVERTENCIA:

Para eliminar el riesgo de sufrir quemaduras o de causar un fuego cuando trata de alcanzar cosas arriba de las unidades superficiales calientes, se debe evitar el espacio de almacenamiento en gabinetes arriba de las unidades superficiales. Cuando se tiene que proporcionar este espacio de almacenamiento, se puede reducir el riesgo al instalar una campana que salga horizontalmente un mínimo de 5 pulgadas (127 mm) arriba del fondo del gabinete.

Desde la parrilla a los materiales arriba: Debe haber un espacio libre mínimo de 30 pulgadas entre la parte superior de la superficie de cocinar y el fondo de un gabinete de madera o metal no protegido. Vea Figura 7: Preparación para los gabinetes.

24 pulgadas (610 mm) son aceptables cuando el fondo del gabinete de metal o madera está protegido por (a) no menos de 1/4" de material retardante al fuego que debe estar cubierto con (b) no menos de chapa No. 28 MSG, con un grueso de 0.015 pulgadas (4 mm) de acero inoxidable o 0.024 pulgadas (6 mm) de aluminio o cobre.

Desde las paredes de la estufa a los materiales adyacentes: Vea Figura 7: Preparación para los gabinetes. No se requiere ningún espacio libre desde las paredes de la unidad a las paredes verticales adyacentes combustibles en la parte trasera, izquierda y derecha.

1. Se determinaron las instrucciones en base a gabinetes americanos estándar. Los gabinetes estándar de piso miden 36" (910 mm) de altura x 24" (610 mm) de profundo. Los gabinetes arriba de la superficie de cocinar y los gabinetes junto a los que están arriba de la superficie de cocinar miden 13" (330 mm) de profundo de la pared trasera. Cuando se usan gabinetes no estándar, tenga cuidado de modificar las dimensiones correctamente.

El espacio libre desde la parte superior de la estufa a las paredes verticales adyacentes debe ser al menos 4”.



Nota:

El acabado de algunos gabinetes no puede sobrevivir las temperaturas permitidas por las normas de seguridad, sobre todo los hornos de autolimpieza; los gabinetes pueden perder su color o mancharse. Esto se nota aún más con gabinetes laminados.

Preparar las paredes y los pisos

Selle cualquier orificio en las paredes o el piso. Quite cualquier obstrucción (conexiones eléctricas o de gas adicionales) de modo que la estufa pueda descansar correctamente contra la pared.

Requerimientos para cubiertas

Las cubiertas deben quedar suaves y niveladas.

Requerimientos de montaje

Instalar el soporte antivolcadura

1. Tome medidas para localizar la posición del soporte como se indica en la Figura 8: Soporte antivolcadura.
2. Fije el soporte con 2 tornillos apropiados para la superficie de montaje (i.e., para un piso de madera use tornillos para madera, para un piso de concreto use anclajes y tornillos para concreto).

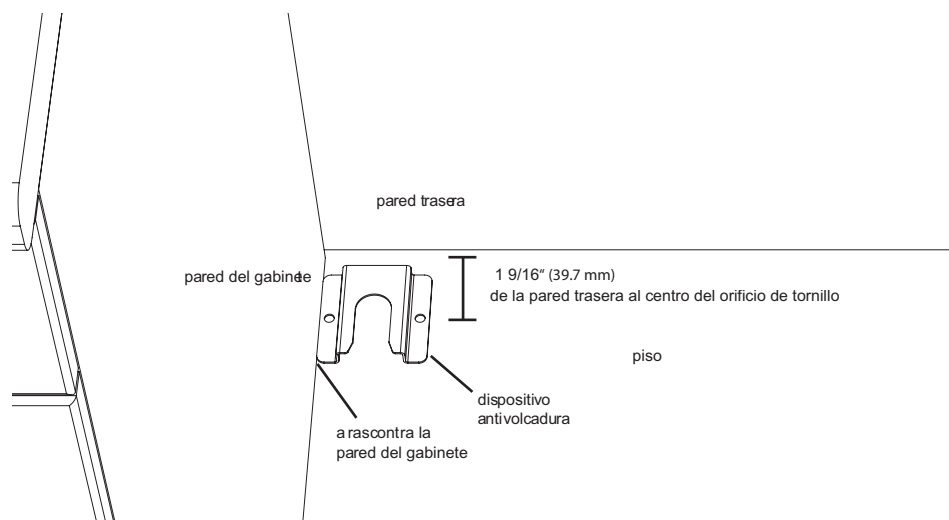


Figura 8: Soporte antivolcadura

Recomendaciones de ventilación

Recomendamos fuertemente instalar una campana de ventilación arriba de esta estufa. Para la mayoría de cocinas se recomienda una campana con un régimen eléctrico nominal no menor de 300 CFM. La campana debe ser instalada de acuerdo a las instrucciones incluidas con ésta.

Procedimiento de Instalación

Aplicar cinta de espuma

Aplique cinta de espuma a la parte inferior de la moldura de la parrilla en una sola pieza continua.

Instalar la moldura de la pared trasera



Nota:

Se requiere este paso solamente cuando la cubierta no está conectada detrás de la estufa (i.e.; cuando reemplaza una estufa autoestable). Vea "Requerimientos para los gabinetes" en la página 8 para más información.

Instale 2 tornillos a través de los orificios en la moldura y en la pared trasera de la estufa. Vea Figura 9: Tira de la moldura de la pared trasera y Figura 10: Instalar la tira de la moldura de la pared trasera.

Tire de la moldura de la pared trasera

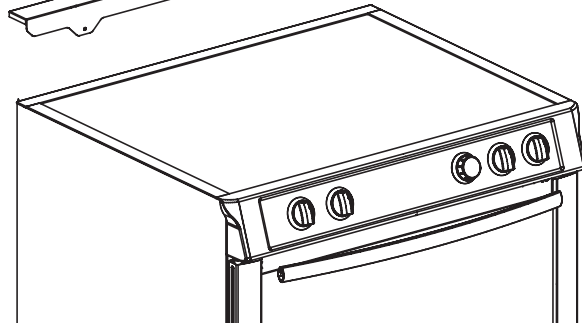


Figura 9: Tira de la moldura de la pared trasera

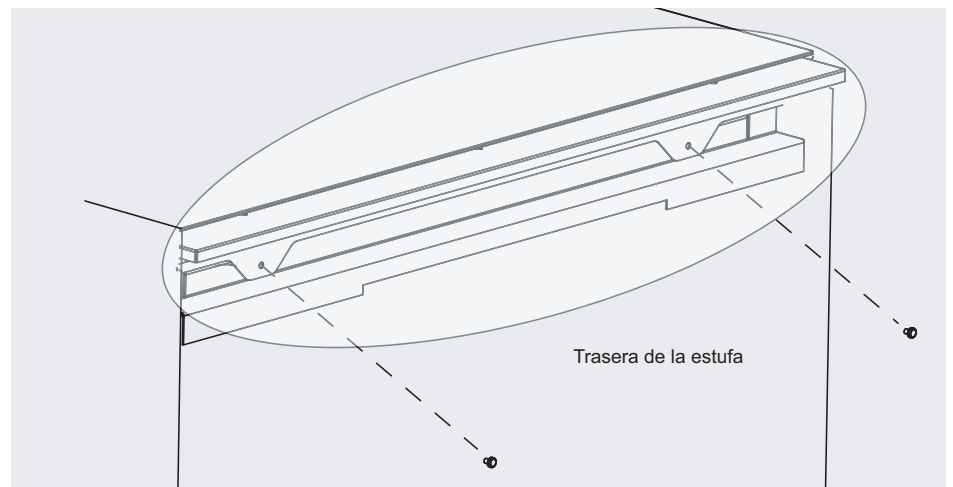


Figura 10: Instalar la tira de la moldura de la pared trasera

Conexión eléctrica

Hay dos conexiones eléctricas posibles:

1. Cable de la estufa de cuatro hilos
2. Cable de la estufa de tres hilos

La conexión con el cable de la estufa de cuatro hilos es el método recomendado, pero donde los códigos locales lo permiten, se pueden usar también conexiones con tres hilos



Nota:

En Canadá, se envía la estufa desde la fábrica con el cable de alimentación eléctrica instalado. Vea "Conectar el suministro de gas" en la página 17.

Para instalaciones fuera de Canadá, conecte el cable de alimentación de la estufa al bloque de terminales (Vea la siguiente página para instrucciones detalladas). Acceda al bloque de terminales abriendo la tapa en la esquina derecha inferior del panel trasero de la estufa.

Instalar el prensacables

Coloque el prensacables en el agujero ciego abajo del bloque de terminales. Vea Figura 11: Agujero ciego del prensacables.



ADVERTENCIA:

Se debe instalar correctamente el prensacables que viene incluido con el cable de la estufa.

Los prensacables varían. Lea y siga cuidadosamente las instrucciones incluidas con su prensacables.

1. Quite el agujero correcto para su prensacables en el panel de agujeros ciegos debajo del bloque de terminales.
2. Ponga el cable de la estufa a través del agujero y del prensacables hasta el bloque de terminales. Permita un poco de juego en el cable entre el prensacables y el bloque de terminales.
3. Una vez que haya ajustado la longitud/el juego del cable, fije el prensacables de acuerdo a las instrucciones incluidas con éste.

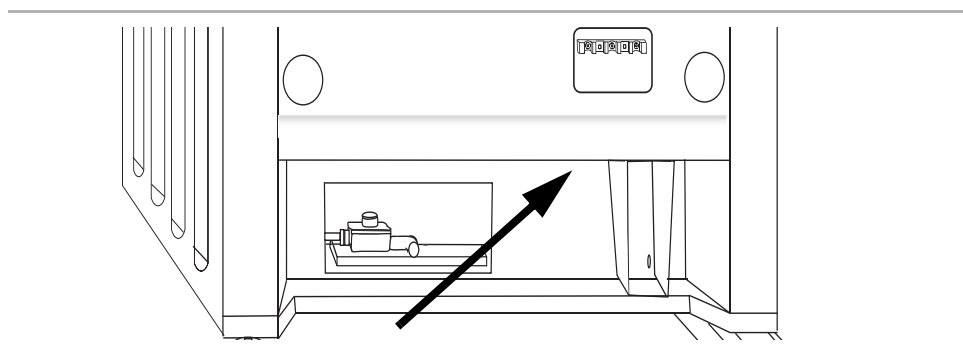


Figura 11: Agujero ciego del prensacables



Consejo:

Se puede quitar el panel botador de la estufa (abajo del bloque de terminales) para instalar el prensacables Quite el panel botador de la estufa, instale el prensacables en el panel y vuelva a fijarlo. NO quite todo el panel trasero de la estufa.



ADVERTENCIA:

Riesgo de una descarga eléctrica o un fuego. El bastidor está conectado a neutral a través de un cable de tierra. Se prohíbe la conexión a tierra a través del conductor neutral para instalaciones nuevas con circuito de derivación (1996 NEC), casas rodantes y vehículos recreativos, o en áreas donde los códigos locales prohíben el aterrizaje a través del conductor neutral.

Para instalaciones donde se prohíbe la conexión a tierra a través del conductor neutral, (a) desconecte el cable del conductor neutral, (b) use la terminal o el cable a tierra para aterrizar la unidad, (c) conecte la terminal o el cable neutral del circuito de derivación del modo normal (cuando el aparato está conectado mediante un cable de alimentación, use un cable con 4 hilos para este propósito).

Use sólo cables con capacidad nominal de 125/250 volts (mínima), 30 amperes y marcado "Para uso con estufas". Se debe instalar el prensacable incluido con el cable de acuerdo a las instrucciones incluidas.

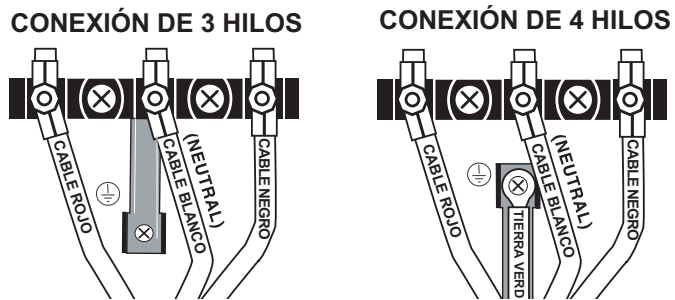


Figura 12: Requerimientos para la puesta a tierra



ADVERTENCIA:

Para evitar una descarga eléctrica, no se debe cortar o quitar la espiga de tierra bajo ninguna circunstancia. Se debe enchufar en una tomacorriente correspondiente y conectar a un circuito de 240 Volts correctamente polarizado. Cuando existe alguna duda con respecto a si la tomacorriente está correctamente puesta a tierra, contrate a un eléctrico calificado para checarlo.

Conexión del cable con cuatro hilos (método recomendado)

1. Desconecte la corriente eléctrica en la caja del cortacircuito.
2. Quite la tapa del bloque de terminales para exponer el bloque de terminales

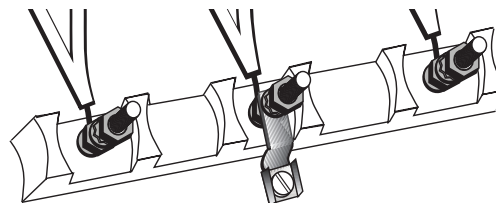


Figura 13: Conexión de 4 hilos

- Quite la tuerca superior, la arandela de estrella y la arandela redonda de cada poste.



Nota:
NO quite la última arandela redonda, la última tuerca o los cables internos.

- Quite el tornillo del extremo inferior de la tira de conexión a tierra.
- Quite la tira de conexión a tierra del poste central, gire de modo que el extremo ancho quede arriba y fije el extremo ancho a la estufa a través del agujero abajo de la caja de conexiones. Fije el cable verde en la parte superior de la tira de conexión a tierra. Apriete el tornillo.

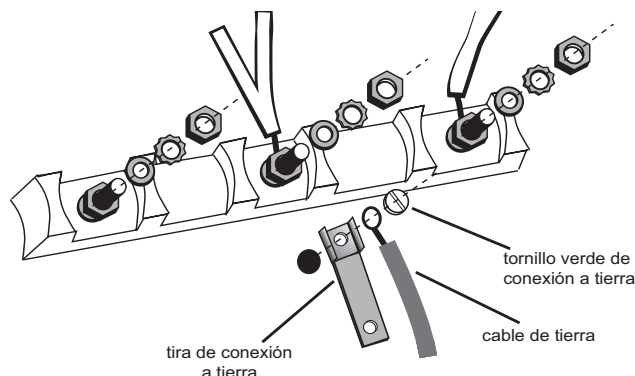


Figura 14: Conexión del cable de 4 hilos - Tira y cable de tierra

- Fije el cable rojo, la arandela redonda, la arandela de estrella y la tuerca EN ESTE ORDEN al poste izquierdo.
- Fije el cable blanco, la arandela redonda, la arandela de estrella y la tuerca EN ESTE ORDEN al poste central.
- Fije el cable negro, la arandela redonda, la arandela de estrella y la tuerca EN ESTE ORDEN al poste derecho.

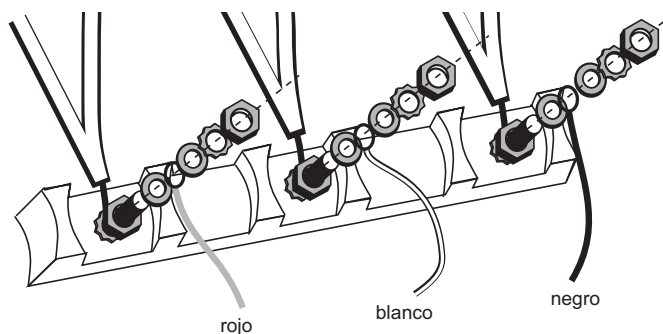


Figura 15: Conexión del cable de 4 hilos, continuación

- Apriete todas las conexiones bien y reemplace la tapa del bloque de terminales.
- Fije el prensacables correctamente (vea la sección anterior).



Nota:
NO enchufe la estufa en este momento.

Conexión del cable con tres hilos

La conexión de cuatro hilos (arriba) es el método preferido, pero donde los códigos locales permiten la puesta a tierra a través del neutral y/o donde la conversión a cuatro hilos es algo poco práctico, se puede conectar la unidad a la fuente de alimentación vía una conexión de tres hilos.

1. Desconecte la corriente eléctrica en la caja del cortacircuito.
2. Quite la tapa del bloque de terminales para exponer el bloque de terminales.

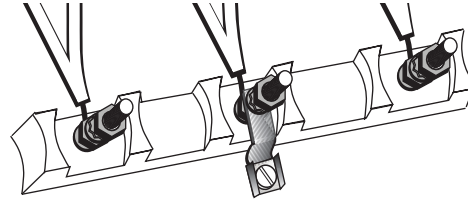


Figura 16: Bloque de terminales

3. Quite la tuerca superior, arandela de estrella y arandela redonda de cada poste.



Nota:

NO quite la última arandela redonda, la última tuerca o los cables internos.

4. Fije el cable blanco, la arandela redonda, la arandela de estrella y la tuerca EN ESTE ORDEN en la parte superior de la tira a tierra sobre el poste central.
5. Fije el cable rojo, la arandela redonda, la arandela de estrella y la tuerca EN ESTE ORDEN al poste izquierdo.
6. Fije el cable negro, la arandela redonda, la arandela de estrella y la tuerca EN ESTE ORDEN al poste derecho.

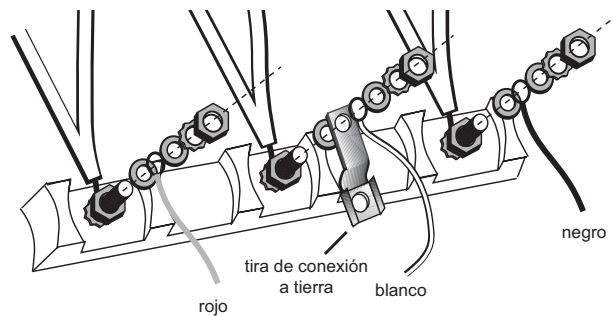


Figura 17: Conexión de 3 hilos

7. Apriete todas las conexiones bien y reemplace la tapa del bloque de terminales.

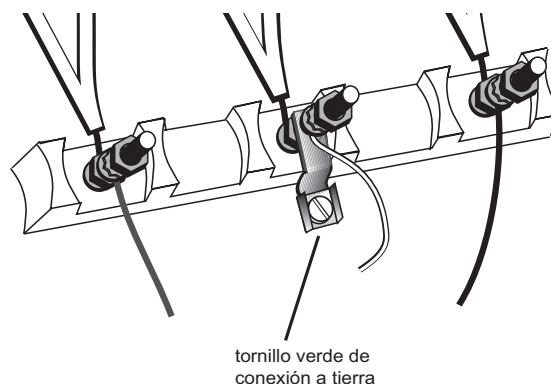


Figura 18: Conexión terminada del cable de la estufa de 3 hilos

8. Fije el prensacables correctamente. Vea "Instalar el prensacables" en la página 13 para instrucciones detalladas.



Nota:
NO enchufe la estufa en este momento.

Conectar el suministro de gas

Cierre la válvula principal de suministro de gas antes de desconectar la estufa vieja y déjela cerrada hasta terminar la conexión nueva. **No olvide de prender el piloto en otros aparatos de gas cuando vuelva a abrir el gas.**

Se puede instalar la estufa con un tubo rígido o con una manguera metálica flexible certificada por CSA International. Cuando utiliza una manguera flexible, siempre use una manguera nueva.

Aplique un compuesto para junta de tubos o cinta de Teflón¹ que sea apropiada para el uso con gas LP y gas Natural alrededor de todos los tubos con rosca macho para evitar fugas.

La conexión de gas se encuentra debajo del panel trasero de la estufa. Vea Figura 19: Ubicación de la conexión del gas. Se puede acceder a través del panel de acceso del cajón calentador o desde la parte trasera de la estufa. Para alcanzar el panel de acceso, quite el cajón calentador.

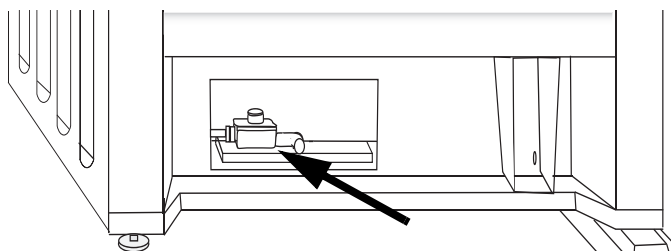


Figura 19: Ubicación de la conexión del gas

1. Teflón es una marca registrada de DuPont

Nota importante para usuarios de gas LP

La estufa viene de fábrica para uso con gas natural. Para el uso con gas propano, se debe convertir su estufa primero con el kit de conversión de gas LP.

Método con manguera flexible

Si usa un tubo rígido, siga con "Método con tubo rígido" en la página 20.

Fijar la manguera

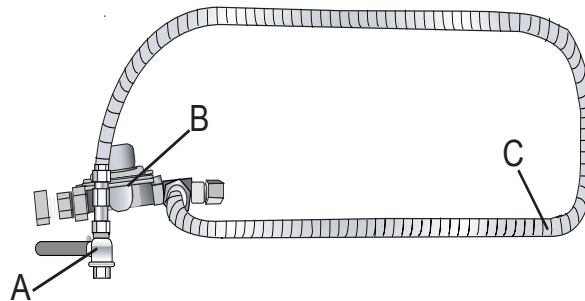


Figura 20: Método con manguera flexible

Tabla 4: Método con manguera flexible

Letra	Artículo
A	Válvula de cierre de gas
B	Regulador
C	Manguera flexible

1. Instale el adaptador cónico de 1/2" en la rosca interna de 1/2" NPT de la entrada de la estufa. Use una llave como apoyo en el codo para evitar daños.
2. Instale el adaptador cónico de unión de 1/2" o 3/4" en la rosca interna de la válvula manual de cierre.
3. Conecte la manguera flexible de metal del aparato.

Enchufar el cable de la estufa

1. Asegúrese que el cortacircuitos esté apagado y luego enchufe el cable de la estufa a la tomacorriente.
2. Conecte la manguera flexible a la válvula de entrada de gas.



PRECAUCIÓN:

Antes de enchufar un cable eléctrico, asegúrese que todos los controles estén en la posición **Off** (Apagado).

Ajustar las patas de nivelación

1. Alinee la estufa enfrente de la abertura.
2. Tome medida de la esquina trasera izquierda de la abertura desde el piso a la parte superior de la cubierta.
3. Tome medida de la esquina trasera izquierda de la estufa al fondo de la moldura de la parrilla. Ajuste la pata de nivelación hasta que la altura esté igual que la dimensión de la esquina.
4. Haga lo mismo en la esquina trasera derecha.

5. Ajuste las patas delanteras de nivelación de modo que el fondo de la moldura de la parrilla quede $\frac{1}{2}$ " (13 mm) más alta que la superficie correspondiente de la cubierta.

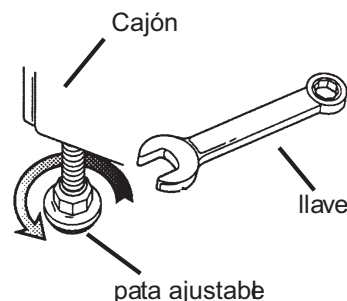


Figura 21: Ajustar los soportes de las patas delanteras

Deslizar la estufa a la abertura

1. Enchufe el cable de alimentación.
2. Deslice la estufa a la abertura, teniendo cuidado de no dañar las cubiertas, los pisos o la cara del cajón de la estufa. No aplique presión a la parrilla cuando deslice la estufa a su posición. Tenga cuidado para no doblar la manguera flexible.
3. Limpie el agua jabonosa con un trapo.



Consejo:

1. Si tiene problemas para deslizar la estufa con facilidad: Use agua jabonosa para humedecer los siguientes punto de presión:
 - cubierta
 - cinta de espuma
 - piso debajo de las patas de la estufa
2. Quite el cajón y la puerta del horno para evitar daños.
3. Para no dañar el aparato, empuje sobre el bastidor alrededor de la abertura de la cavidad del horno.

Revisar la parte trasera de la estufa para una instalación correcta

1. Cuando quede instalado correctamente, la moldura de la parrilla alrededor de la parte trasera de la estufa descansará ligeramente sobre la cubierta.



Nota:

Cuando reemplaza un modelo autoestable, la tira de la moldura de la pared trasera debe quedar al ras con la pared.

2. No debe haber ningún hueco entre la cubierta y la moldura; sin embargo, el peso de la estufa no debe descansar sobre la cubierta. Mire debajo de la estufa para verificar que ambas patas descansen sólidamente en el piso. Verifique también, que la pata izquierda quede debajo del soporte antivolcadura.



PRECAUCIÓN:

Verifique que el peso de la estufa no descansa sobre la cubierta. Esto podría dañar la cubierta y el aparato.

3. Cuando las patas traseras no descansen bien en el piso o la pata izquierda no quede debajo del soporte antivolcadura, saque la estufa, ajuste las patas y vuelva a deslizarla en su lugar.

Ajustar el frente de la estufa para una instalación correcta

1. Ajuste las patas delanteras de nivelación de tal modo que la moldura de la parrilla envuelva toda la cubierta.
2. Verifique que ambas patas delanteras descansen bien en el piso.
3. Use una niveleta para verificar que la estufa esté nivelada y desplomada.
4. Inclíne la estufa cuidadosamente hacia adelante para asegurar que el soporte antivolcadura quede enganchado para prevenir la volcadura del aparato.

La conexión de gas ha terminado. Siga con “Probar si hay fugas de gas” en la página 22.

Método con tubo rígido

Si usa una manguera flexible, regrese a “Método con manguera flexible” en la página 18.

Fijar el tubo rígido

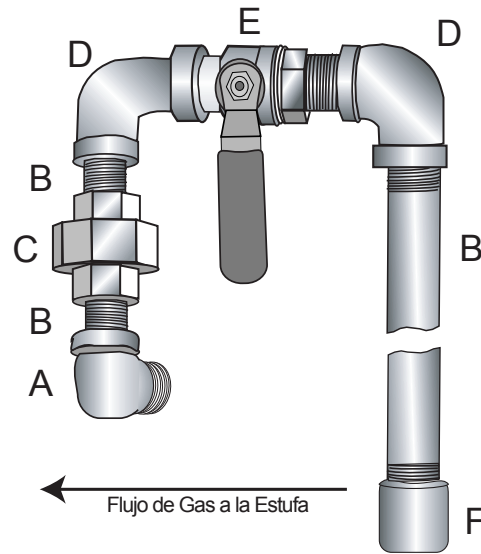


Figura 22: Método con tubo rígido

Tabla 5: Método con tubo rígido

Letra	Artículo
A	Codo; Conectar al regulador aquí
B	Niple del tubo
C	Unión
D	Codo
E	Válvula de cierre de gas
F	Tubo de gas de 1/2" a 3/4"

La configuración de la conexión del tubo rígido varía dependiendo de la ubicación del tope del tubo de gas. Vea Figura 22: Método con tubo rígido, para ejemplos.

Ajustar las patas de nivelación

1. Asegúrese que el cortacircuitos esté apagado y luego enchufe el cable de la estufa a la tomacorriente.



PRECAUCIÓN:

Antes de enchufar un cable eléctrico, asegúrese que todos los controles estén en la posición **Off** (Apagado).

2. Alinee la estufa enfrente de la abertura.
3. Tome medida de la esquina trasera izquierda de la abertura desde el piso a la parte superior de la cubierta.
4. Ajuste las patas delanteras de nivelación hasta que el fondo de la moldura de la parrilla quede $\frac{1}{2}$ " (13mm) arriba de la superficie correspondiente de la cubierta.

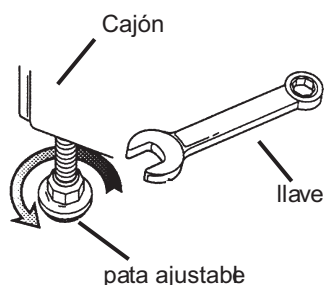


Figura 23: Ajustar la pata delantera de nivelación

5. Haga lo mismo en la esquina trasera derecha.
6. Ajuste las patas delanteras de nivelación hasta que el fondo de la moldura de la parrilla quede $\frac{1}{2}$ " (13mm) arriba de la superficie correspondiente de la cubierta.

Deslizar la estufa a la abertura

1. Enchufe el cable de alimentación.
2. Deslice la estufa a la abertura, teniendo cuidado de no dañar las cubiertas, los pisos o la cara del cajón de la estufa. No aplique presión a la parrilla cuando deslice la estufa a su posición.



CONSEJO:

1. Si tiene problemas para deslizar la estufa con facilidad, use agua jabonosa para humedecer los siguientes puntos de presión:
 - cubierta
 - cinta de espuma
 - piso debajo de las patas de la estufa
2. Quite el cajón y la puerta del horno para evitar daños.

Revisar la parte trasera de la estufa para una instalación correcta

1. Cuando quede instalado correctamente, la moldura de la parrilla alrededor de la parte trasera de la estufa descansará ligeramente sobre la cubierta.



Nota:

Cuando reemplace un modelo autoestable, la tira de la moldura de la pared trasera debe quedar al ras con la pared.

2. No debe haber ningún hueco entre la cubierta y la moldura; sin embargo, el peso de la estufa no debe descansar sobre la cubierta. Mire debajo de la estufa para verificar que ambas patas descansan sólidamente en el piso. Verifique también, que la pata izquierda quede debajo del soporte antivolcadura.



PRECAUCIÓN:

Verifique que el peso de la estufa no descansa sobre la cubierta. Esto podría dañar la cubierta y el aparato.

3. Cuando las patas traseras no descansen bien en el piso o la pata izquierda no quede debajo del soporte antivolcadura, saque la estufa, ajuste las patas y vuelva a deslizarla a su lugar.

Ajustar el frente de la estufa para una instalación correcta

1. Ajuste las patas delanteras de nivelación de tal modo que la moldura de la parrilla envuelva toda la cubierta.
2. Verifique que ambas patas delanteras descansen bien en el piso.
3. Use una niveleta para verificar que la estufa esté nivelada y desplomada.
4. Vuelva a empujar la estufa a su posición, asegurándose que la pata de la estufa quede debajo del soporte antivolcadura. La estufa quedará a una distancia de 3/4" (19mm) de la pared cuando se instala correctamente.
5. Inclíne la estufa cuidadosamente hacia adelante para asegurar que el soporte antivolcadura quede enganchado para prevenir la volcadura del aparato.

Terminar la conexión de gas

1. Conecte el tubo a la estufa en la unión. Acceda la conexión a través del panel de acceso detrás del cajón calentador.

La conexión de gas ha terminado. Siga con "Probar si hay fugas de gas" en la página 22.

Probar si hay fugas de gas

El instalador debe realizar las pruebas de fuga conforme a las instrucciones en esta sección.



Nota:

Tenga cuidado de no aplicar demasiada presión al elemento del cajón calentador durante la prueba de la tubería rígida.

1. Abra el gas.
2. Aplique un líquido de detección de fugas no corrosivo a todas las juntas y conexiones en la conexión de gas entre la válvula de cierre y la estufa. Incluya las conexiones y juntas de gas en la estufa si las conexiones fueron perturbadas durante la instalación.

3. **Revise si hay fugas. Burbujas que aparecen alrededor de las conexiones indican una fuga.**
4. En caso que se presente una fuga, cierre la válvula de gas de la línea de suministro y apriete todas las conexiones.
5. Vuelva a probar si hay fugas. Vuelva a abrir la válvula de cierre de gas de la línea de suministro y vuelva a aplicar el líquido de detección de fugas.
6. Al terminar la revisión de fugas (no hay burbujas), la prueba termina. Quite los residuos del líquido de detección con un paño.

**PRECAUCIÓN:**

Nunca revise si hay fugas de gas con una llama.

No siga con el siguiente paso hasta eliminar todas las fugas.

Probar la instalación

Prender el interruptor de corriente

**ADVERTENCIA:**

Cuando la pantalla parpadea y emite pitidos, es posible que se invirtió la polaridad del cableado. La polaridad invertida puede dañar la estufa y crear el riesgo de una descarga eléctrica. Desconecte la corriente de inmediato en el cortacircuito y vea “Conexión eléctrica” en la página 13.

Probar el bloqueo de autolimpieza

Cambie el horno a autolimpieza. Jale ligeramente la puerta del horno para certificar que esté cerrada. Cancele el modo de autolimpieza.

Probar los quemadores de la parrilla:

Se debe probar cada quemador para un encendido correcto, las características apropiadas de las llamas con bajo calor y las características apropiadas de las llamas con alto calor.

Probar si hay un encendido apropiado:

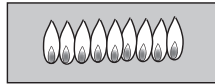
1. Empuje y gire la perilla al símbolo de la llama.
2. Verifique que el módulo del encendedor/chispa haga clic.
3. Una vez que se haya purgado el aire de las líneas de suministro, verifique que el quemador se encienda dentro de cuatro (4) segundos. Después de encender el quemador, gire la perilla a la posición off (apagado).
4. Ponga cada quemador de la parrilla a prueba de esta forma. Llame a servicio si alguno de los quemadores no se enciende.

Probar las características de llamas con bajo calor:

1. Empuje y gire la perilla al símbolo de la llama hasta encender el quemador.
2. Gire la perilla rápidamente al ajuste de calor bajo.
3. Verifique que la llama:
 - tenga una altura mínima (aproximadamente 1/4” o 6 mm).
 - esté fija (No se debe levantar la llama o soplar hacia fuera del quemador. Debe envolver todo el quemador.)
 - tenga el color correcto. Debe ser de color azul con un cono interior y exterior. Vea Figura 24: Verificar las características de las llamas, para más información.
4. Compruebe cada quemador de la parrilla de este modo. Si alguna llama se apaga, no envuelve bien o está muy grande, contacte al servicio.

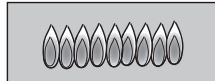
Probar las características de llamas con alto calor:

1. Empuje y gire la perilla al símbolo de la llama hasta encender el quemador.
2. Gire la perilla al ajuste de calor alto.
3. Verifique que la llama:
 - esté fija (No se debe levantar la llama o soplar hacia fuera del quemador. Debe envolver todo el quemador.)
 - tenga el color correcto. Debe ser de color azul con un cono interior y exterior. Vea Figura 24: Verificar las características de las llamas para más información.
4. Compruebe cada quemador de la parrilla de este modo. Si alguna llama es de color amarillo o no envuelve bien el quemador, contacte al servicio.



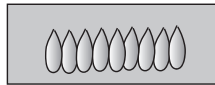
Llamas amarillas:

Se requieren más ajustes.



Puntas amarillas en conos exteriores:

Normal para Gas LP.



Llamas azules suaves:

Normal para Gas Natural.

Si la llama está completamente o en su mayoría de color amarillo, verifique que el regulador esté ajustado para el gas correcto. Después del ajuste vuelva a probar.

Algunas puntas amarillas son normales durante el arranque inicial. Permita que la unidad funcione 4-5 minutos y vuelva a probar.

Figura 24: Verificar las características de las llamas

La instalación termina cuando se hayan verificado el color, flameado y tamaño correcto.

Servicio

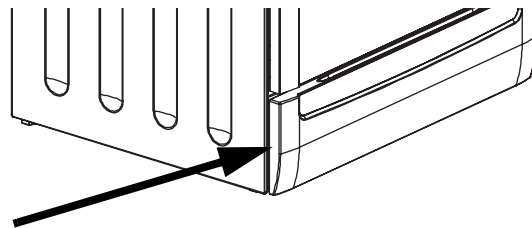
Antes de llamar al servicio

Vea el manual de uso y cuidado para información sobre cómo resolver problemas. Consulte la garantía en el manual de uso y cuidado.

Para hablar con un representante de servicio, vea la información de contacto al principio del manual. Por favor, tenga a la mano la información impresa en la placa de información de su producto cuando llame.

Placa con datos del producto

La placa con información indica el número de modelo y de serie. Consulte la placa de información en el aparato cuando solicite servicio. Se encuentra debajo del bastidor cerca del cajón. Abra el cajón para verla.



Placa con información

Figura 25: Placa con información



BOSCH

Invented for life

5551 McFadden Avenue, Huntington Beach, CA 92649 • 800-944-2904 • www.boschappliances.com
9000135014 • 5V0AGF • Rev. D • 05/07 © BSH Home Appliances Corporation, 2007 • All rights reserved
Litho in USA

Free Manuals Download Website

<http://myh66.com>

<http://usermanuals.us>

<http://www.somanuals.com>

<http://www.4manuals.cc>

<http://www.manual-lib.com>

<http://www.404manual.com>

<http://www.luxmanual.com>

<http://aubethermostatmanual.com>

Golf course search by state

<http://golfingnear.com>

Email search by domain

<http://emailbydomain.com>

Auto manuals search

<http://auto.somanuals.com>

TV manuals search

<http://tv.somanuals.com>