

## Horn Loudspeaker



Security Systems

EN | Installation Manual  
LBC 3437/00  
LBC 3438/00

# BOSCH

## 1.0 Installation

### 1.1 General

When installing and operating explosion-protected electrical equipment, requirements for selection, installation and operation (e.g. IEC 60079-14) must be observed.

Cable termination should be in accordance with specifications applying to the application.

Bosch recommend that all cables and cores should be fully identified.

Ensure that only the correct certified glands are used and that the assembly is shrouded and correctly earthed. A sealing washer must be fitted to maintain the IP rating. Ensure that all nuts, bolts and fixings are secure.

### 1.2 Mounting the Unit

The unit mounts via a 'u' shaped strap. This strap is supplied loose and is attached to the speaker with the 2 off M6 x 20mm screws and washers provided.

The fixing centres of the strap are indicated on the attached drawing (see Figure 2). When fixed in position, the unit's alignment can be adjusted by loosening the two M6 screws. The speaker can then be adjusted to the required position and the screws tightened. The speaker should be positioned such that dust, debris or water cannot settle in the re-entrant horn.

### 1.3 To Remove End Cover

Remove the 6 off M5 Cover screws.

### 1.4 To Fit Gland

To fit the gland supplied refer to the fitting instructions (see figure 1).

## 2.0 Operation & Wiring

The speaker is available in 2 standard wattage ratings (15W and 25W).

Different sound levels can be obtained by selecting the transformer tapings in the unit (see figure 3).

## 3.0 Maintenance

During the working life of the unit, it should require little or no maintenance. However, if abnormal or unusual environmental conditions occur due to plant damage or accident etc, then visual inspection is recommended.

If a unit fault should occur, then the unit should be returned to Bosch for repair/replacement.

## 4.0 Certification

Certification to:- EN50014:1997,  
EN50018:1994  
15W: EExd IICT5  
25W: EExd IICT4

ATEX Certification No:  
BAS00ATEX2097X

The ATEX certificate and the product label carry the ATEX group and category marking:  $\text{Ex}$  II 2 G D

Where:

- $\text{Ex}$  signifies compliance with ATEX
- II signifies suitability for use in surface industries
- 2 signifies suitability for use in Zone 1
- G signifies suitability for use in the presence of gases

D signifies suitability for use in the presence of dust

The product label also carries the following mark:



This signifies unit compliance to the relevant European directives, in this case 94/9/EC, along with the number of the notified body issuing the EC type examination certificate.

## 5.0 Gland Fitting Instructions

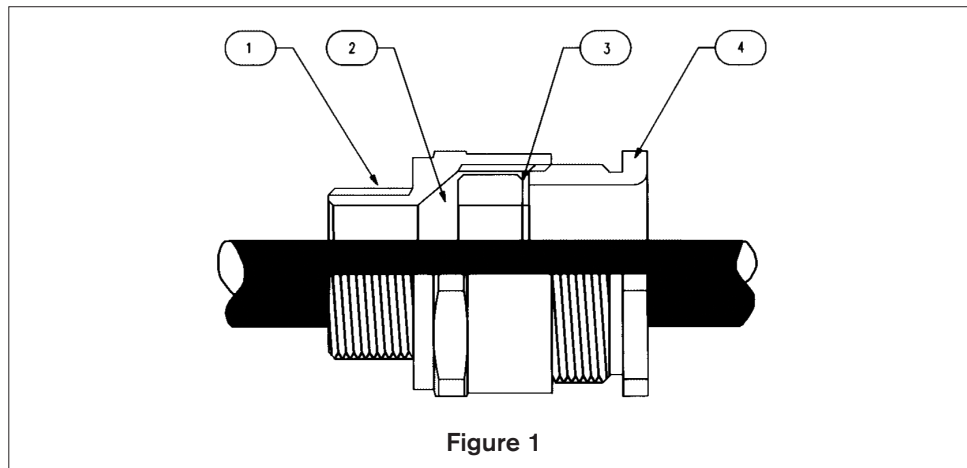


Figure 1

- Fit sealing washer to gland.
- Secure gland into the speaker.
- Ensure that item 2 (outer seal) is in its relaxed state by unscrewing item 4 until there is no compression on the seal.
- Pass the cable through the gland to the desired length. Then tighten item 4 into item 1 by hand until heavy resistance is felt then using a spanner rotate item 4 one turn.
- This completes the termination.

## 6.0 Specifications and Wiring Diagram

1. TYPE LBC3437/00 & LBC3438/00
2. CERTIFICATION No. BAS 00ATEX2097X EExd IIC T4
3. WEIGHT -  $5.0 \pm 0.3$  KG
4. MATERIAL - ENCLOSURE, COVER & HORN - GRP
5. OPTIONAL DUTY LABEL, LETTER SIZE 5 MAX.
6. OPTIONAL TAG LABEL, LETTER SIZE 5 MAX.
7. TERMINALS SUITABLE FOR UP TO 2.5mm<sup>2</sup> CABLE

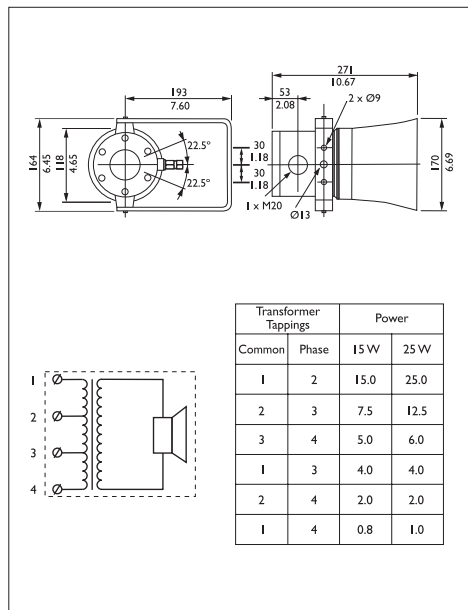


Figure 2

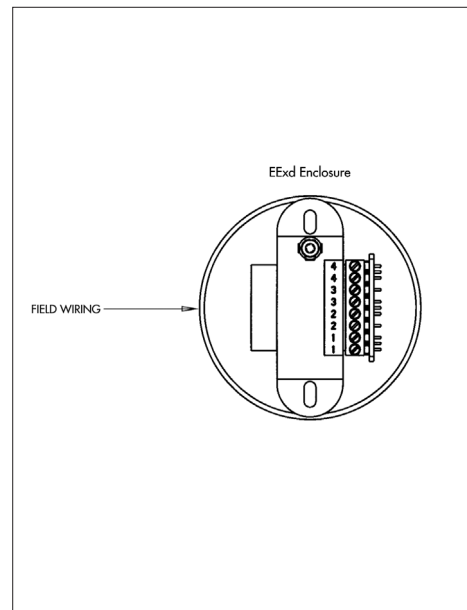


Figure 3

www.boschsecuritysystems.com  
 9498 974 31013 en Printed in the UK  
 Updated August 2003  
 Data subject to change without notice.

**BOSCH**

## Free Manuals Download Website

<http://myh66.com>

<http://usermanuals.us>

<http://www.somanuals.com>

<http://www.4manuals.cc>

<http://www.manual-lib.com>

<http://www.404manual.com>

<http://www.luxmanual.com>

<http://aubethermostatmanual.com>

Golf course search by state

<http://golfingnear.com>

Email search by domain

<http://emailbydomain.com>

Auto manuals search

<http://auto.somanuals.com>

TV manuals search

<http://tv.somanuals.com>