



## Ventilation Hood

## Household Appliances

### Installation Instructions

for Model Numbers Beginning with DAH93,  
DAH94 and DAH95

**PLEASE READ ENTIRE INSTRUCTIONS BEFORE PROCEEDING.**

**IMPORTANT:** Save these instructions.

**INSTALLER:** Please leave these instructions with this unit for the owner.

**OWNER:** Please retain these instructions for future reference.

# BOSCH



## Important Safety Instructions

### Read and Save These Instructions Installation Must Comply With all Local Codes Please Read Entire Instructions Before Proceeding



#### WARNING

TO REDUCE THE RISK OF FIRE, ELECTRIC SHOCK, OR INJURY TO PERSONS, OBSERVE THE FOLLOWING:

- A. Use this unit only in the manner intended by the manufacturer. If you have questions, contact the manufacturer. (Bosch Service: 800-944-2904.
- B. Before servicing or cleaning the unit, switch power off at service panel and lock service panel. This will prevent power from being switched on accidentally. When the service panel cannot be locked, securely fasten a prominent warning device, such as a tag, to the service panel.
- C. Installation work and electrical wiring must be done by qualified person(s) in accordance with all applicable codes & standards, including fire-rated construction.
- D. Sufficient make-up air is needed for proper combustion and exhausting of gases through the flue (chimney) of fuel burning equipment to prevent back-drafting. Follow the heating equipment manufacturers guideline and safety standards such as those published by the National Fire Protection Association (NFPA), the American Society for Heating, Refrigeration and Air Conditioning Engineers (ASHRAE), and the local code authorities.
- E. Due to the size and weight of this unit, two installers are recommended.
- F. When cutting or drilling into wall or ceiling, do not damage electrical wiring or other hidden utilities.
- G. To properly exhaust air, be sure to duct air outside. Do not vent exhaust air into spaces within walls, ceilings, attics, crawl spaces, or garages.
- H. Install this hood in accordance with all requirements specified.
- I. Ventilator hood assembly models DAH93 and DAH94 must be installed with blowers DHG4001UC (included). Model DAH95 must be installed with integral blowers DHG4001UC or DHG6001UC or remote blowers DHG6003UC or DHG1006UC. Other ventilator blowers CANNOT be substituted.



#### Safety Warning

Turn off power circuit at service panel and lock out panel before wiring this appliance.

##### REQUIREMENT:

With internal blower: 120V AC, 60Hz. 15A Branch Circuit.

With remote blower (DAH95 models only): 120V AC 60Hz. 15A Dedicated Branch Circuit.

#### Caution

For general residential kitchen ventilating use only. **DO NOT** use to exhaust hazardous or explosive materials or vapors.

#### Caution

Vent unit to the outside unless using recirculation kit. Note: If using recirculation kit, refer to instructions included with that unit.



#### Warning

To reduce the risk of fire, use only metal ductwork.

#### Tools and Parts Needed:

1. 1/2" Conduit w/ Connector
2. Blower (DAH95 models only)
3. Duct Cover (optional)
4. Ducting:
  - a) DAH93 and 94 models: 7" (8" is also acceptable, however a 7"-8" transition will also be required)
  - b) DAH95 models with remote blower: 10" (7"-10" transition is also needed. For horizontal discharge, a custom transition is required.)
5. R20 50W Incandescent Light Bulbs (2), installed (DAH93 models)
6. 50W Par 20 Halogen Flood Light Bulbs (2), installed (DAH95 models)
7. Duct Tape

#### Parts Included:

1. 4 #8 Sheetmetal Screws
2. Filters (30" models: 2, 36" models: 3)
3. Hood Canopy
4. Remote Blower "Pigtail" Adaptor (DAH95 models only)
5. 7" Transition
6. Spring Type Wire Nuts (rated for a minimum of (2) #18ga wires and a maximum of 4 #14ga wires, UL & CSA rated to 600V and 302° F/ 150° C.)
7. Toggle Bolts (2)
8. 6 (30" models) or 12 (36" models) Blunt-Nosed Sheetmetal Screws

This unit is approved for use with all residential appliances. For residential use only.

Note: The Bosch ventilation hood referred to throughout this manual is manufactured by BSH Home Appliances Corporation.

# Installation

## General Information

1. For the most efficient air flow exhaust, use a straight run or as few elbows as possible.
2. Do not use flex ducting.
3. COLD WEATHER installations should have an additional backdraft damper installed to minimize backward cold air flow and a nonmetallic thermal break to minimize conduction of outside temperatures as part of the ductwork. The damper should be on the cold air side of the thermal break. The break should be as close as possible to where the ducting enters the heated portion of the house.
4. Hood installation height above cooktop is the user's preference. The lower the hood above the cooktop, the more efficient the capturing of cooking odors, grease, and smoke. This hood has been approved for installations as low as 24 inches and as high as 36" above the cooktop. The lower height may be inconvenient for tall people and large cooking vessels. Consequently, Bosch recommends the hood be installed 30"-36" above the countertop.
5. Remote blowers require a five wire installation.
6. Make-Up Air: Local building codes may require the use of make-up air systems when using ducted ventilation systems greater than specified CFM of air movement. The specified CFM varies from locale to locale. Consult your HVAC professional for specific requirements in your area.

## 1. Unpack Hood

Pull hood from outer packaging and remove all packaging materials.

## 2. Remove Knockout

Remove the appropriate blower duct knockout. For horizontal discharge, remove the knockout in the back wall of the hood. For vertical discharge, remove the knockout in the top of the hood.

## 3. Install Internal Blower (DAH95 models only)

If your hood is already equipped with a blower, or you will be using a remote blower, proceed to Step 4: Install Transition (next page).

1. Remove rear filter rail.
2. Remove blower control wire cover.
3. Remove J box.
4. With hood standing on its back wall, place blower in center of hood.
5. Screw 6 screws (3 on each side) through mounting plates. See Figure 2.

Figure 1 - DAH93 and DAH94 models

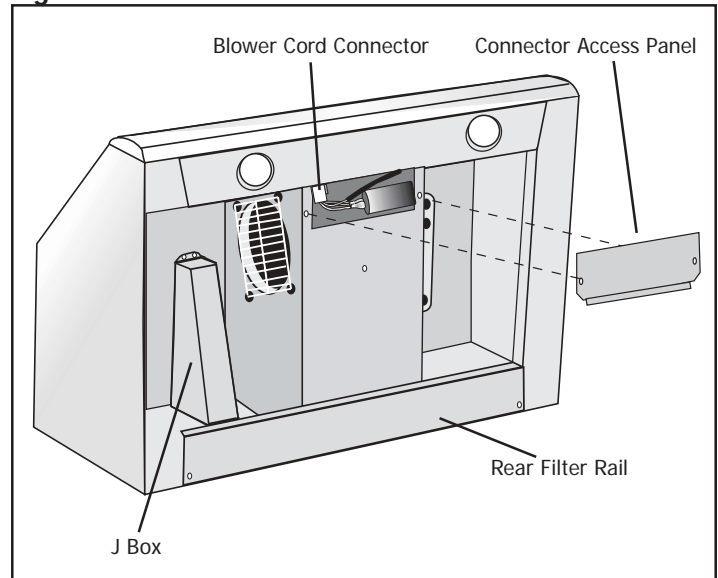


Figure 2 - DAH95 models with internal blower

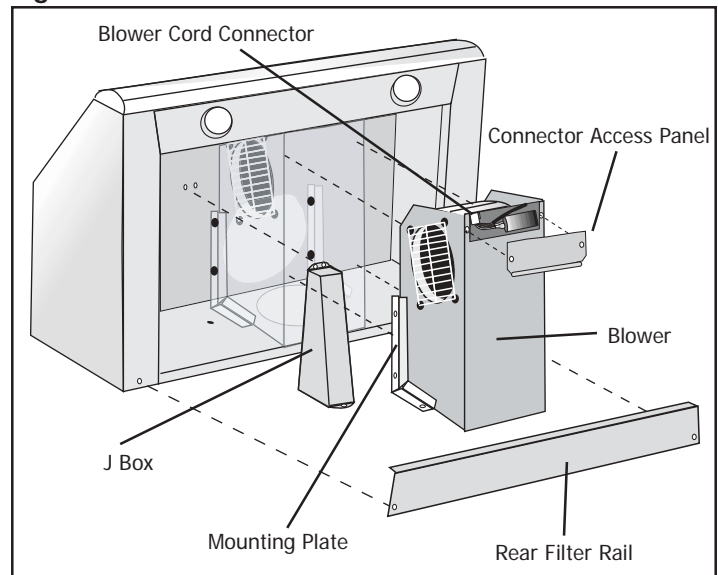
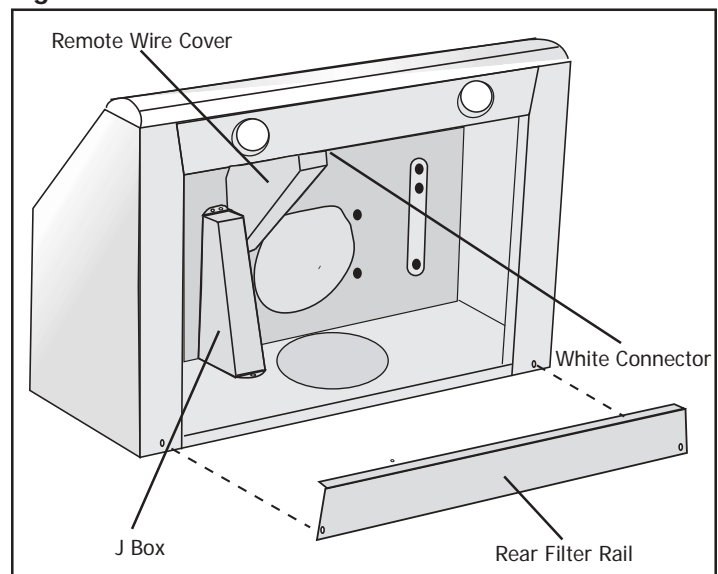


Figure 3 - DAH95 models with remote blower



# Installation

## 4. Install Transition

For **internal blower** installation, install the 7" transition (included) to connect to 7" ducting. If 7" ducting is not available, 8" ducting may be used. In this instance, an additional 7-8" transition must also be used (not included).

For **remote blower** applications, 10" ducting is required. In this instance, a 7"-10" transition must also be used.

Attach the transition with 4 #8 sheetmetal screws (included) and seal connection with duct tape.

## 5. Mount the Hood

The DAH model hood can be mounted through the back wall or through the top. See General Information, page 1, for suggestions for hood height.

Once the preferred height is determined, locate the centerline (left to right) of the cooking appliance.

### Wall Mount

1. From the centerpoint of the cooking appliance, measure up to the preferred height. Measure up an additional 9" to locate the centerline of the screw holes (see Figure 4).
2. Install toggle bolts through drywall leaving 1/4" of the bolt exposed.

Install one togglebolt 11 1/2" to the left of the centerline and one togglebolt 11 1/2" to the right of the centerline. These are the only installation points for the 30" hood. See Figure 4

For the 36" hood, there are 2 additional installation points. These are also at the centerline height, but are 15 3/8" from the centerline in each direction. See Figure 4.

3. Place the hood by sliding the mounting holes in the hood over the bolts.
4. Tighten the bolts.

### Top Mount

1. Install the hood flush against the back wall.
2. Identify the centerline on the mounting surface (underside of cabinet).
3. Place the hood and install the drywall screws through the mounting holes.

Insert 3 drywall screws 11 1/2" off the centerline in both directions at the following depths:

1. 2 1/4" from the back wall
  2. 8 1/4" from the back wall
  3. 9 1/4" from the back wall
- (See Figure 5).

The 36" hood also requires 3 additional screws, at the same depths, on each side (total of 6). These

are 15 3/8" from the center line (See Figure 5).

4. Place the hood.
5. Tighten the screws.

Figure 4 - Wall Mount

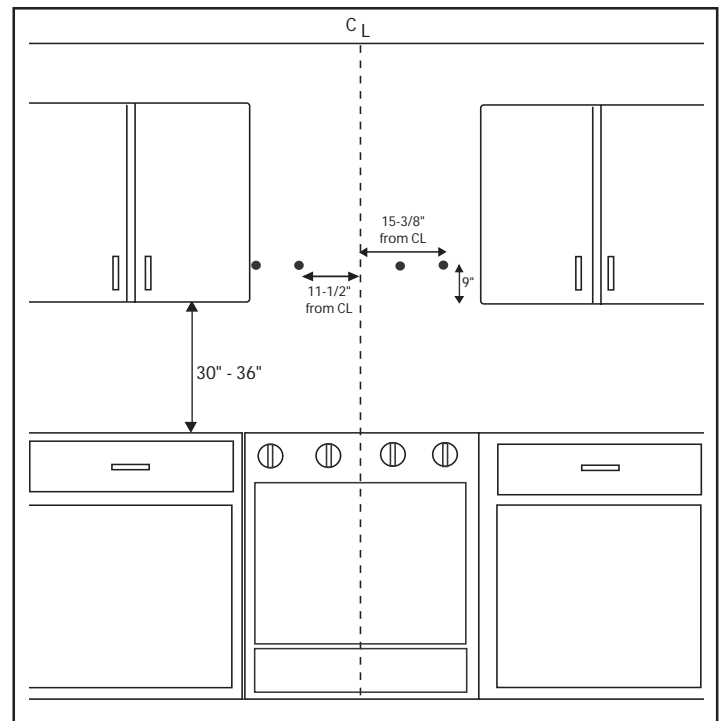
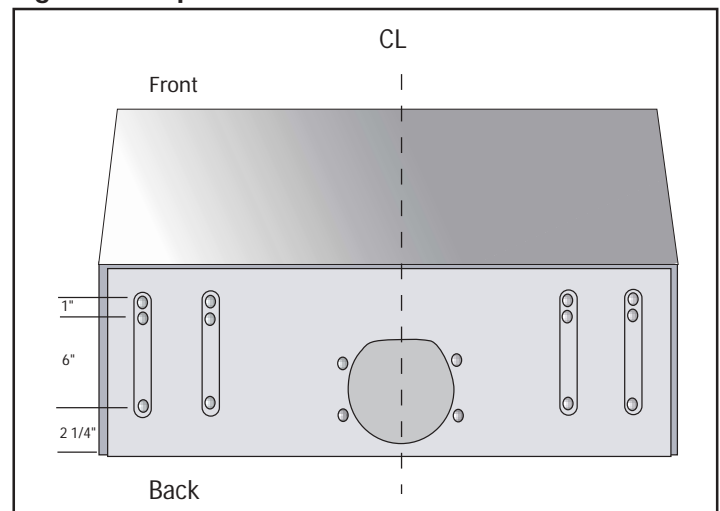


Figure 5 - Top Mount



# Installation

## 6. Connect Wiring



### WARNING:

Use only spring type wire nuts (included) to make electrical connections. Replacement wire nuts must be rated for a minimum of (2) #18ga wires and a maximum of 4 #14ga wires, UL & CSA rated to 600V and 302° F/ 150° C. Request #189692 when ordering from BSH.

#### For Internal Blower Use:

See Figure 1 or 2, page 3.

1. Remove electrical knockout behind J box and install 1/2" conduit connectors.
2. Run 120V AC 60Hz, 15A supply wires through 1/2" conduit to hood electrical knockout behind J box cover.
3. Connect blower cord wires to house wiring through electrical knockouts. Use wire nuts supplied (white to white, black to black, green to green).
4. Connect blower cord at white connector behind connector access panel (if not already connected). Verify that connectors are tightly connected.

#### For Remote Blower Use:

See Figure 3, page 3.

1. Remove 2 hood electrical knockouts and install 1/2" conduit connectors.
2. Run black, white and green supply wires through 1/2" conduit to hood electrical knockout behind J box.
3. Connect power supply wires to hood wires behind J box (white to white, black to black, green to green). Use wire nuts supplied.
4. Run 5 wires (#14 AWG) in 1/2" conduit from the remote blower to the electrical knockout behind the remote wire cover.
5. Connect remote blower wiring to "pigtail" wires behind remote wire cover with wire nuts supplied (white to white, black to black, green to green and black to brown, white to white, red to red and blue to blue) See Figure 6.
6. Connect other end of "pigtail" at white connector. Verify that connectors are tightly connected.

## 7. Reassemble Hood

Reattach the following:

1. Connector access panel (internal blower only)
2. J box
3. Remote wire cover (remote blower use only)
4. Back filter rail
5. Filters

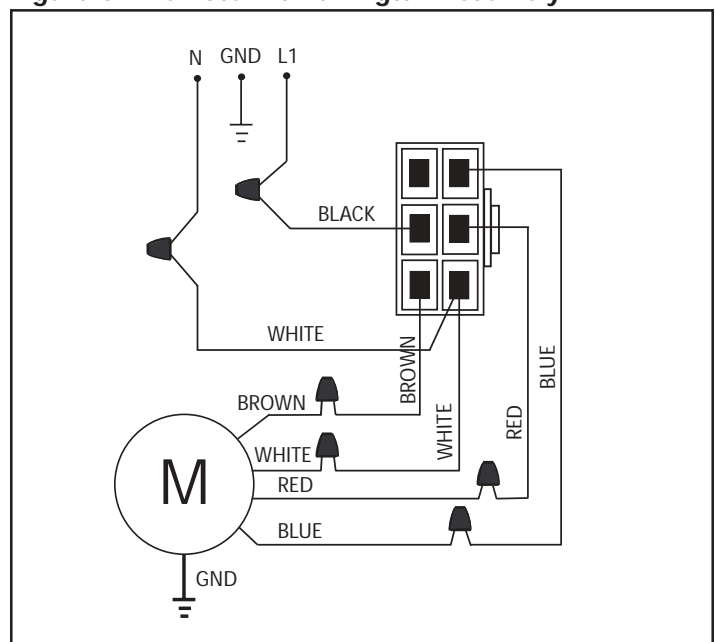
## Accessories

The following accessories are available from your Bosch dealer or through Bosch Service: 800-944-2904. Please reference the model number when requesting these items.

Accessory	Model #	
6" Duct Covers	30"	36"
Biscuit	DCZ7607UC	N/A
Black	DCZ7606UC	DCZ9666UC
Stainless Steel	DCZ7605UC	DCZ9665UC
White	DCZ7602UC	DCZ9662UC
12" Duct Covers	30"	36"
Biscuit	DCZ7207UC	N/A
Black	DCZ7206UC	DCZ9266UC
Stainless Steel	DCZ7205UC	DCZ9265UC
White	DCZ7202UC	DCZ9262UC
Recirculation Kit	30"	36"
Biscuit	DRZ7007UC	N/A
Black	DRZ7006UC	DRZ9066UC
Stainless Steel	DRZ7005UC	DRZ9065UC
White	DRZ7002UC	DRZ9062UC
Charcoal Filter	DHZ7960UC	
3 1/4 x 10 Transition	DHZ3410UC	
Blowers*		
Integral Blower, 400 CFM	DHG4001UC	
Integral Blower, 600 CFM	DHG6001UC	
Remote Blower, 600 CFM	DHG6003UC	
Remote Blower, 1000 CFM	DHG1003UC	

\*for use with DAH95 models only

Figure 6 - Remote Blower Pigtail Assembly



**BOSCH**

5551 McFadden Avenue, Huntington Beach, CA 92649 • 800/944-2904  
5060008728 Rev. A (ECO# 5V01MD)

© BSH Home Appliances Corporation 2003 • Litho U. S. A. 8/03

## Free Manuals Download Website

<http://myh66.com>

<http://usermanuals.us>

<http://www.somanuals.com>

<http://www.4manuals.cc>

<http://www.manual-lib.com>

<http://www.404manual.com>

<http://www.luxmanual.com>

<http://aubethermostatmanual.com>

Golf course search by state

<http://golfingnear.com>

Email search by domain

<http://emailbydomain.com>

Auto manuals search

<http://auto.somanuals.com>

TV manuals search

<http://tv.somanuals.com>