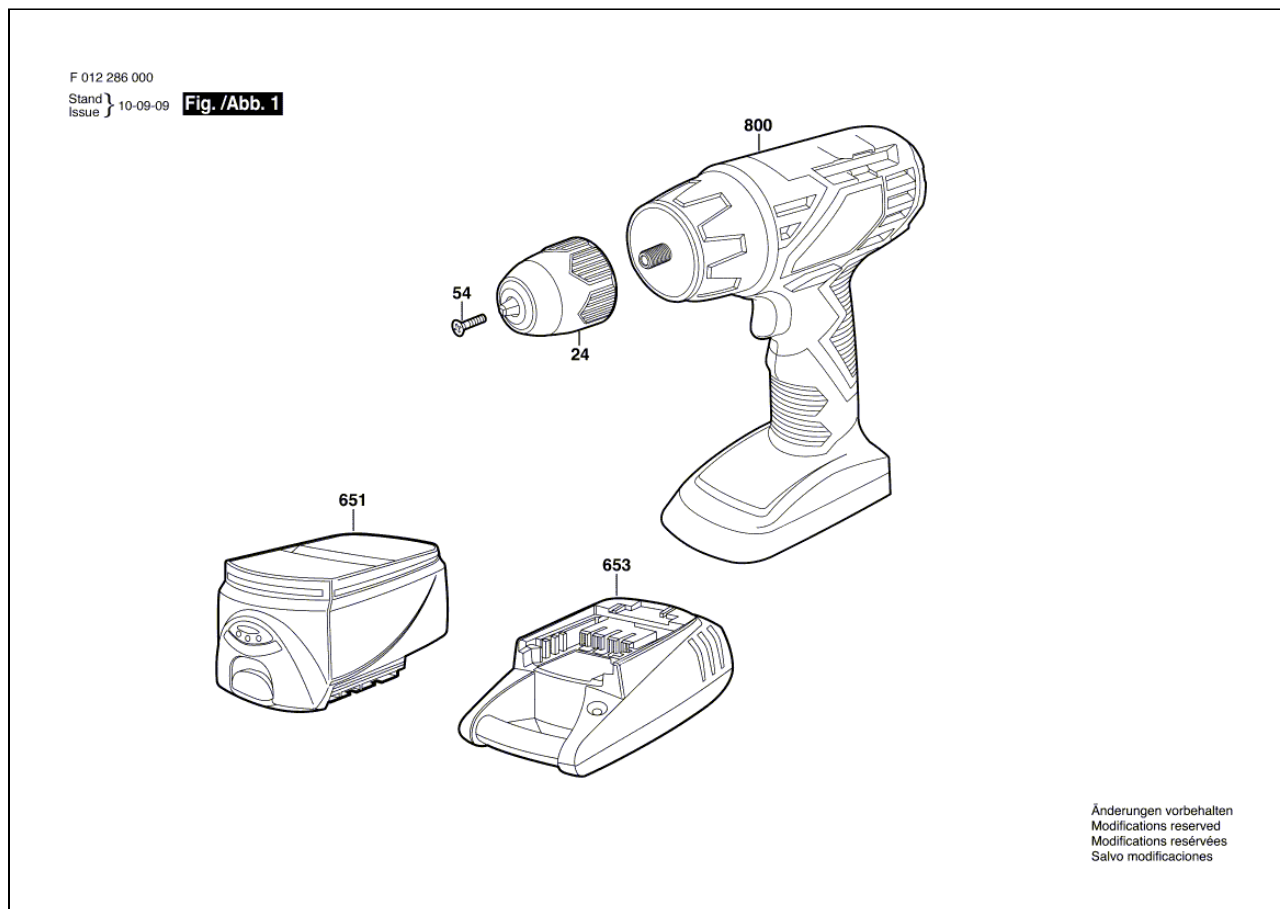


Cordless Drill Driver

F 012 286 000 2860

09.03.2011 18:17:55



| Item | Quantity | Order No. | Designation | Price group | Page |
|------|----------|---------------|---------------------------------------|-------------|------|
| 24 | 1 | 1 619 X04 096 | Keyless Chuck | 20 | 1 |
| 54 | 1 | 1 619 X02 515 | Countersunk-Head Screw | 10 | 1 |
| 651 | 1 | 2 607 335 793 | Accumulator Battery / 18V,1,5Ah, NiCd | 40 | 1 |
| 653 | 1 | 1 619 X03 252 | Charger / US 18V,1 STD | 35 | 1 |
| 800 | 1 | 1 619 X05 180 | Cordless Drill Driver | 38 | 1 |

Free Manuals Download Website

<http://myh66.com>

<http://usermanuals.us>

<http://www.somanuals.com>

<http://www.4manuals.cc>

<http://www.manual-lib.com>

<http://www.404manual.com>

<http://www.luxmanual.com>

<http://aubethermostatmanual.com>

Golf course search by state

<http://golfingnear.com>

Email search by domain

<http://emailbydomain.com>

Auto manuals search

<http://auto.somanuals.com>

TV manuals search

<http://tv.somanuals.com>