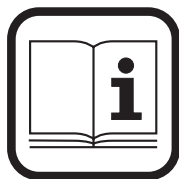


IMPORTANT:
Read Before Using

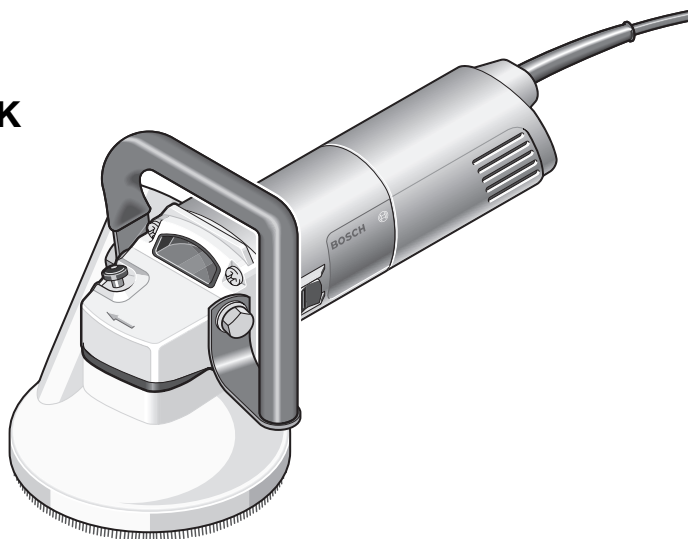
IMPORTANT :
Lire avant usage

IMPORTANTE:
Leer antes de usar



Operating/Safety Instructions
Consignes de fonctionnement/sécurité
Instrucciones de funcionamiento y seguridad

1773AK



BOSCH

Consumer Information
Renseignements des consommateurs
Información para el consumidor

Toll Free Number: **Appel gratuit :** **Número de teléfono gratuito:**
1-877-BOSCH99 (1-877-267-2499) <http://www.boschtools.com>.

For English
See page 2

Parlez-vous français?
Voir page 11

¿Habla español?
Ver página 20

Power Tool Safety Rules

⚠ WARNING Read and understand all instructions. Failure to follow all instructions listed below, may result in electric shock, fire and/or serious personal injury.

SAVE THESE INSTRUCTIONS

Work Area

Keep your work area clean and well lit. Cluttered benches and dark areas invite accidents.

Do not operate power tools in explosive atmospheres, such as in the presence of flammable liquids, gases, or dust. Power tools create sparks which may ignite the dust or fumes.

Keep by-standers, children, and visitors away while operating a power tool. Distractions can cause you to lose control.

Electrical Safety

Double Insulated tools are equipped with a polarized plug (one blade is wider than the other.) This plug will fit in a polarized outlet only one way. If the plug does not fit fully in the outlet, reverse the plug. If it still does not fit, contact a qualified electrician to install a polarized outlet. Do not change the plug in any way. Double Insulation eliminates the need for the three wire grounded power cord and grounded power supply system. *Before plugging in the tool, be certain the outlet voltage supplied is within the voltage marked on the nameplate. Do not use "AC only" rated tools with a DC power supply.*

Avoid body contact with grounded surfaces such as pipes, radiators, ranges and refrigerators. There is an increased risk of electric shock if your body is grounded. If operating the power tool in damp locations is unavoidable, a Ground Fault Circuit Interrupter must be used to supply the power to your tool. Electrician's rubber gloves and footwear will further enhance your personal safety.

Don't expose power tools to rain or wet conditions. Water entering a power tool will increase the risk of electric shock.

Do not abuse the cord. Never use the cord to carry the tools or pull the plug from an outlet. Keep cord away from

heat, oil, sharp edges or moving parts. Replace damaged cords immediately. Damaged cords increase the risk of electric shock.

When operating a power tool outside, use an outdoor extension cord marked "W-A" or "W." These cords are rated for outdoor use and reduce the risk of electric shock. Refer to "Recommended sizes of Extension Cords" in the Accessory section of this manual.

Personal Safety

Stay alert, watch what you are doing and use common sense when operating a power tool. Do not use tool while tired or under the influence of drugs, alcohol, or medication. A moment of inattention while operating power tools may result in serious personal injury.

Dress properly. Do not wear loose clothing or jewelry. Contain long hair. Keep your hair, clothing, and gloves away from moving parts. Loose clothes, jewelry, or long hair can be caught in moving parts. Keep handles dry, clean and free from oil and grease.

Avoid accidental starting. Be sure switch is "OFF" before plugging in. Carrying tools with your finger on the switch or plugging in tools that have the switch "ON" invites accidents.

Remove adjusting keys or wrenches before turning the tool "ON". A wrench or a key that is left attached to a rotating part of the tool may result in personal injury.

Do not overreach. Keep proper footing and balance at all times. Proper footing and balance enables better control of the tool in unexpected situations.

Use safety equipment. Always wear eye protection. Dust mask, non-skid safety shoes, hard hat, or hearing protection must be used for appropriate conditions.

Tool Use and Care

Use clamps or other practical way to secure and support the workpiece to a stable platform. Holding the work by hand or against your body is unstable and may lead to loss of control.

Do not force tool. Use the correct tool for your application. The correct tool will do the job better and safer at the rate for which it is designed.

Do not use tool if switch does not turn it "ON" or "OFF". Any tool that cannot be controlled with the switch is dangerous and must be repaired.

Disconnect the plug from the power source before making any adjustments, changing accessories, or storing the tool. Such preventive safety measures reduce the risk of starting the tool accidentally. **Store idle tools out of reach of children and other untrained persons.** Tools are dangerous in the hands of untrained users.

Maintain tools with care. Keep cutting tools sharp and clean. Properly maintained tools, with sharp cutting edges are less likely to bind and are easier to control. Any alteration or modification is a misuse and may result in a dangerous condition.

Check for misalignment or binding of moving parts, breakage of parts, and any

other condition that may affect the tools operation. If damaged, have the tool serviced before using. Many accidents are caused by poorly maintained tools. Develop a periodic maintenance schedule for your tool.

Use only accessories that are recommended by the manufacturer for your model. Accessories that may be suitable for one tool, may become hazardous when used on another tool.

Service

Tool service must be performed only by qualified repair personnel. Service or maintenance performed by unqualified personnel could result in a risk of injury. For example: internal wires may be misplaced or pinched, safety guard return springs may be improperly mounted.

When servicing a tool, use only identical replacement parts. Follow instructions in the Maintenance section of this manual. Use of unauthorized parts or failure to follow Maintenance Instructions may create a risk of electric shock or injury. Certain cleaning agents such as gasoline, carbon tetrachloride, ammonia, etc. may damage plastic parts.

Concrete Surfacers Safety Rules

Always use proper guard with grinding wheel. A guard protects operator from broken wheel fragments and swarf from grinding.

Accessories must be rated for at least the speed recommended on the tool warning label. Wheels and other accessories running over rated speed can fly apart and cause injury. *Grinding wheels must have a maximum safe operating speed greater than the "no load RPM" marked on the tool's nameplate.*

Hold tool by insulated gripping surfaces when performing an operation where the cutting tool may contact hidden wiring or its own cord. Contact with a "live" wire will make exposed metal parts of the tool "live" and shock the operator.

Always use auxiliary handle for maximum control over torque reaction or kickback. Avoid bouncing and snagging the wheel, especially when working corners, sharp edges etc. Operation of the concrete surfacer without the side handle could cause loss of control, resulting in possible serious personal injury.

Before using the surfacer or installing a new wheel, inspect the surface grinding wheel for chips, cracks or missing segments. Remove damaged or worn wheels immediately. Run the tool at no load for one minute, holding the tool in the direction away from people. Wheels with flaws will normally break apart during this time.

Carefully handle both the tool and individual surface grinding wheels to avoid chipping or grinding or surfacing. Do not use a wheel that may be damaged. Fragments from a wheel that bursts during operation will fly away at great velocity possibly striking you or bystanders.

Do not use surface grinding wheel that is larger than the maximum recommended size for your tool. The guard for a concrete surfacer is limited to the rated size of the machine, use of larger or unauthorized wheel accessories may lead to injury.

Only use dry diamond surfacing cup wheels with the concrete surfacer. The concrete surfacer is not intended for use with standard grinding, cut off, cup wheels or wire brushes. Use of other accessories may cause injury.

Wear proper apparel while using a concrete surfacer. Use thick cushioned gloves and wear ear protectors when using the tool and limit the exposure time by taking frequent rest periods. Face shield or at least safety goggles, dust mask, leather gloves and shop apron capable of stopping small wheel or workpiece fragments. Prolonged exposure to high intensity noise can cause hearing loss. Vibration caused by surface grinding action may be harmful to your hands and arms.

Position the cord clear of the spinning surface grinding wheel. Do not wrap the cord around your arm or wrist. If you lose control and have the cord wrapped around your arm or wrist it may entrap you and cause injury.

When removing the surface grinding wheel from the tool avoid contact with skin and use proper protective gloves when grasping the accessory. Accessories may be hot after prolonged use.

Do not run the tool while carrying it at your side. A spinning wheel could become entangled with clothing and injury may result.

Regularly clean the tools air vents by compressed air. Excessive accumulation of powdered metal inside the motor housing may cause electrical failures.

Do not grind or sand near flammable materials. Sparks from the wheel could ignite these materials.

⚠ WARNING Some dust created by power sanding, sawing, grinding, drilling, and other construction activities contains chemicals known to cause cancer, birth defects or other reproductive harm. Some examples of these chemicals are:

- Lead from lead-based paints,
- Crystalline silica from bricks and cement and other masonry products, and
- Arsenic and chromium from chemically-treated lumber.

Your risk from these exposures varies, depending on how often you do this type of work. To reduce your exposure to these chemicals: work in a well ventilated area, and work with approved safety equipment, such as those dust masks that are specially designed to filter out microscopic particles.

Symbols

IMPORTANT: Some of the following symbols may be used on your tool. Please study them and learn their meaning. Proper interpretation of these symbols will allow you to operate the tool better and safer.

Symbol	Name	Designation/Explanation
V	Volts	Voltage (potential)
A	Amperes	Current
Hz	Hertz	Frequency (cycles per second)
W	Watt	Power
kg	Kilograms	Weight
min	Minutes	Time
s	Seconds	Time
∅	Diameter	Size of drill bits, grinding wheels, etc.
n_0	No load speed	Rotational speed, at no load
.../min	Revolutions or reciprocation per minute	Revolutions, strokes, surface speed, orbits etc. per minute
0	Off position	Zero speed, zero torque...
1, 2, 3, ... I, II, III,	Selector settings	Speed, torque or position settings. Higher number means greater speed
0	Infinitely variable selector with off	Speed is increasing from 0 setting
	Arrow	Action in the direction of arrow
	Alternating current	Type or a characteristic of current
	Direct current	Type or a characteristic of current
	Alternating or direct current	Type or a characteristic of current
	Class II construction	Designates Double Insulated Construction tools.
	Earthing terminal	Grounding terminal
	Warning symbol	Alerts user to warning messages
	Ni-Cad RBRC seal	Designates Ni-Cad battery recycling program



This symbol designates that this tool is listed by Underwriters Laboratories.



This symbol designates that this tool is listed to Canadian Standards by Underwriters Laboratories.



This symbol designates that this tool complies to NOM Mexican Standards.



This symbol designates that this tool is listed by the Canadian Standards Association.



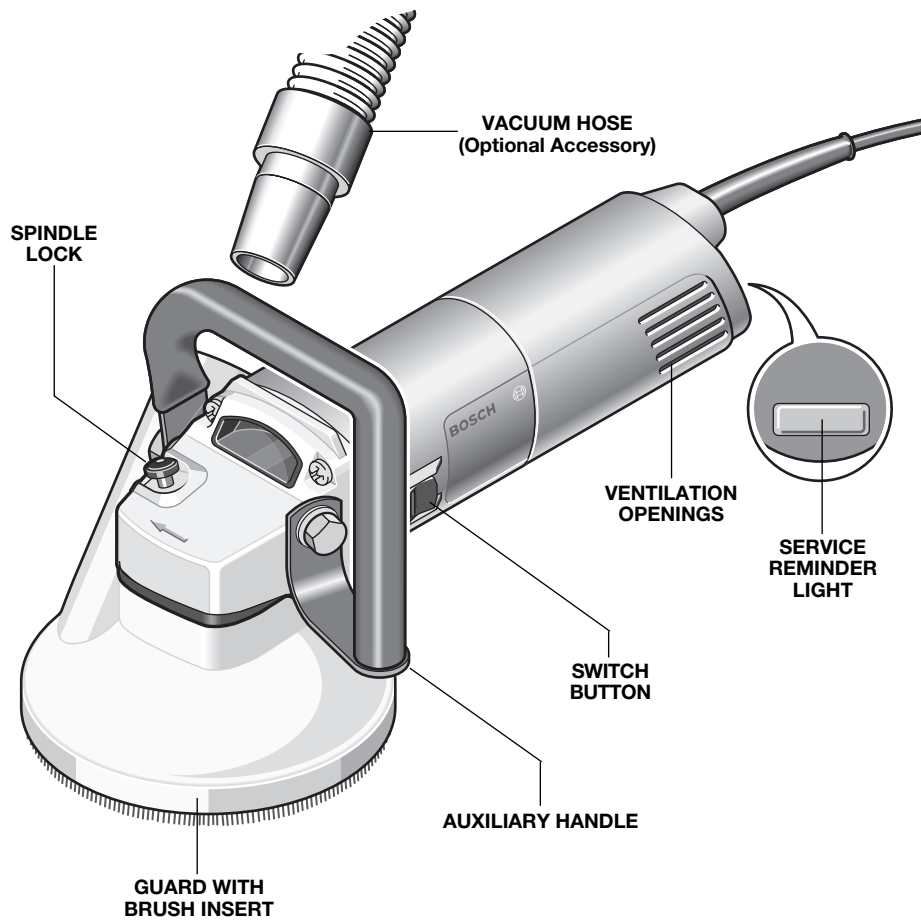
This symbol designates that this tool is listed by Underwriters Laboratories, and listed to Canadian Standards by Underwriters Laboratories.

Functional Description and Specifications

⚠ WARNING Disconnect the plug from the power source before making any assembly, adjustments or changing accessories. Such preventive safety measures reduce the risk of starting the tool accidentally.

Concrete Surfer

FIG. 1



Model number 1773AK
Dry diamond cup wheel diameter 5" (127 mm)

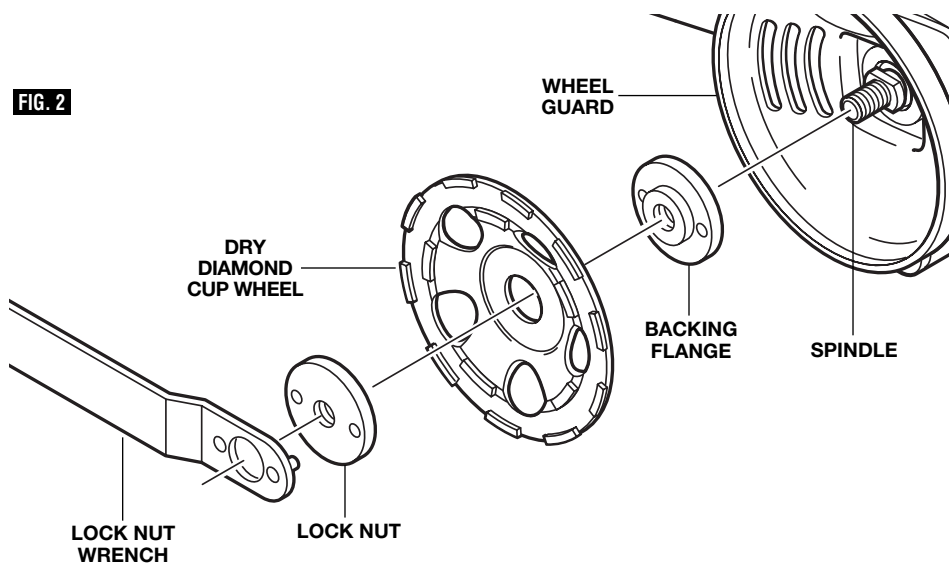
NOTE: For tool specifications refer to the nameplate on your tool.

Assembly

REMOVING AND INSTALLING GRINDING WHEELS

1. Depress the spindle lock button to prevent the wheel from rotating.
2. Loosen the lock nut with the wrench provided, and remove lock nut and dry diamond cup wheel (fig. 2).
3. Clean backing flange, spindle, lock nut, and guard with brush insert.
4. Place new dry diamond cup wheel onto the spindle. Depress spindle lock and thread lock nut onto spindle, and securely tighten lock nut with the wrench provided.

FIG. 2

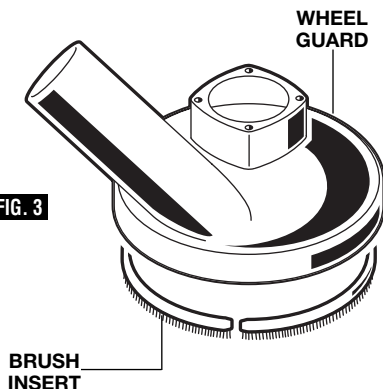


REPLACING BRUSH INSERT

1. With the dry diamond cup wheel mounted, locate separation in brush insert.
2. Carefully begin prying and lifting brush insert where separation begins, with a flat tip screwdriver and remove brush insert (Fig. 3).
3. Carefully press new brush insert into recess in guard until it stops on shoulder of guard.

NOTE: Always be sure that the bristles on the brush insert are not lying in the recess, when installing the brush insert.

FIG. 3



Operating Instructions

SLIDE ON-OFF SWITCH WITH LOCK

The tool is switched "ON" by the switch button located at the side of the motor housing. The switch can be locked in the "ON" position, a convenience for long grinding operations.

TO TURN THE TOOL "ON" without locking it, slide the switch button forward by applying pressure ONLY at the REAR portion of the button. When pressure is released the switch button will snap to "OFF" position.

TO LOCK THE SWITCH "ON", slide the switch button forward and press "IN" the FRONT portion.

TO UNLOCK THE SWITCH, simply press and release the REAR portion of the button. Switch is spring loaded and will snap back automatically.

⚠ WARNING Hold the tool with both hands while starting the tool, since torque from the motor can cause the tool to twist.

Start the tool before applying to work and let the tool come to full speed before contacting the workpiece. Lift the tool from the work before releasing the switch. DO NOT turn the switch "ON" and "OFF" while the tool is under load; this will greatly decrease the switch life.

ELECTRONIC FEEDBACK CIRCUITRY (EFC)

The internal electronic feedback system provides a "soft start", which will reduce the

stresses that occur from a high torque start. The system also helps to keep the no load speed virtually constant between no-load and load conditions.

OVERLOAD PROTECTION

Your tool is equipped with overload protection to protect the motor. If the tool stops during operation TURN OFF SWITCH IMMEDIATELY and allow the motor to cool for about 30 seconds by running at no-load. If the overload protection stops the tool repeatedly, excessive force is causing the tool to overload. Don't press so hard and let the tool do the work.

DUST EXTRACTION

⚠ WARNING This tool must only be used with a dust extraction system. In addition, always wear approved dust mask.

Your tool is equipped with a dust port for dust extraction. To use this feature, attach vacuum hose (optional accessory) to the dust port, and connect the opposite end of the hose to a shop vacuum cleaner.

Always make sure the vacuum cleaner that you use is designed for extraction of masonry dust.

AUXILIARY HANDLE

The auxiliary handle, used to guide and balance the tool can be bolted to either side of the spindle housing depending on personal preference and comfort. Always use the auxiliary handle for maximum control and ease of operation.

Tool Tips

This tool is intended for grinding, deburring and smoothing mainly mineral materials such as, for example, concrete, stone, marble and poured flooring without the use of water. It also can be used for removing protective coating and adhesive residue.

Do not use water or other cooling fluid with this tool for grinding.

Allow the tool to reach full speed before applying it to the workpiece surface.

Hold the tool with both hands and apply the diamond wheel flat on the work surface, advancing the tool moderately back and forth.

When removing coatings from work surfaces, hold the tool at a slight angle to the workpiece surface. Holding the tool at a slight angle will not reduce the effect of the dust extraction.

The dry diamond cup wheel included with the tool is intended for hard materials.

A dull dry diamond cup wheel can be sharpened with an abrasive material (e.g., chalky sand stone).

Four different types of diamond grinding wheels are available as optional accessories.

Refer to the chart for examples of their use.

Type of grinding wheel	DC 510	DC 520	DC 500	DC 530
Old/hard concrete,	x			
Flooring, concrete, lime plaster, abrasive concrete, sand stone, and asphalt		x		
Thermoplastic protective coating			x	
Granite, artificial stone, universal concrete				x

Maintenance

Service

⚠ WARNING Preventive maintenance performed by unauthorized personnel may result in misplacing of internal wires and components which could cause serious hazard. We recommend that all tool service be performed by a Bosch Factory Service Center or Authorized Bosch Service Station.

SERVICE REMINDER LIGHT

When the service reminder light lights up or blinks, this will indicate that the cut-out carbon brushes will switch off the tool in approximately 8 hours. After that period, the light will go off and the tool will stop running. The tool must then be sent to a service center for service.

TOOL LUBRICATION

Your Bosch tool has been properly lubricated and is ready to use. It is recommended that tools with gears be regreased with a special gear lubricant at every brush change.

CARBON BRUSHES

The brushes and commutator in your tool have been engineered for many hours of dependable service. To maintain peak efficiency of the motor, we recommend every two to six months the brushes be examined. Only genuine Bosch replacement

brushes specially designed for your tool should be used.

BEARINGS

After about 300-400 hours of operation, or at every second brush change, the bearings should be replaced at Bosch Factory Service Center or Authorized Bosch Service Station. Bearings which become noisy (due to heavy load or very abrasive material cutting) should be replaced at once to avoid overheating or motor failure.

Cleaning

⚠ WARNING To avoid accidents always disconnect the tool from the power supply before cleaning or performing any maintenance. The tool may be cleaned most effectively with compressed dry air. Always wear safety goggles when cleaning tools with compressed air.

Ventilation openings and switch levers must be kept clean and free of foreign matter. Do not attempt to clean by inserting pointed objects through openings.

⚠ CAUTION Certain cleaning agents and solvents damage plastic parts. Some of these are: gasoline, carbon tetrachloride, chlorinated cleaning solvents, ammonia and household detergents that contain ammonia.

Accessories

⚠ WARNING If an extension cord is necessary, a cord with adequate size conductors that is capable of carrying the current necessary for your tool must be used. This will prevent excessive voltage drop, loss of power or overheating. Grounded tools must use 3-wire extension cords that have 3-prong plugs and receptacles.

NOTE: The smaller the gauge number, the heavier the cord.

RECOMMENDED SIZES OF EXTENSION CORDS 120 VOLT ALTERNATING CURRENT TOOLS

Tool's Ampere Rating	Cord Size in A.W.G.				Wire Sizes in mm ²			
	Cord Length in Feet				Cord Length in Meters			
	25	50	100	150	15	30	60	120
3-6	18	16	16	14	.75	.75	1.5	2.5
6-8	18	16	14	12	.75	1.0	2.5	4.0
8-10	18	16	14	12	.75	1.0	2.5	4.0
10-12	16	16	14	12	1.0	2.5	4.0	—
12-16	14	12	—	—	—	—	—	—

- * Wheel guard
- * Brush insert
- * Backing flange
- * Dry diamond cup wheel
- * Lock nut
- * Lock nut wrench*

- * Auxiliary handle
- * Carrying case
- ** Vacuum hose

(* = standard equipment)
(** = optional accessories)

Règles de Sécurité Générales



AVERTISSEMENT Vous devez lire et comprendre toutes les instructions. Le non-respect, même partiel, des instructions ci-après entraîne un risque de choc électrique, d'incendie et/ou de blessures graves.

CONSERVEZ CES INSTRUCTIONS


Aire de travail

Veillez à ce que l'aire de travail soit propre et bien éclairée. Le désordre et le manque de lumière favorisent les accidents.

N'utilisez pas d'outils électriques dans une atmosphère explosive, par exemple en présence de liquides, de gaz ou de poussières inflammables. Les outils électriques créent des étincelles qui pourraient enflammer les poussières ou les vapeurs.

Tenez à distance les curieux, les enfants et les visiteurs pendant que vous travaillez avec un outil électrique. Ils pourraient vous distraire et vous faire faire une fausse manœuvre.

Sécurité électrique

Les outils à double isolation sont équipés d'une fiche polarisée (une des lames est plus large que l'autre), qui ne peut se brancher que d'une seule façon dans une prise polarisée. Si la fiche n'entre pas parfaitement dans la prise, inversez sa position ; si elle n'entre toujours pas bien, demandez à un électricien qualifié d'installer une prise de courant polarisée. Ne modifiez pas la fiche de l'outil. La double isolation  élimine le besoin d'un cordon d'alimentation à trois fils avec mise à la terre ainsi que d'une prise de courant mise à la terre. Avant de brancher l'outil, assurez-vous que la tension de la prise correspond, à celle indiquée sur la plaque signalétique. N'utilisez pas d'outils prévus pour courant alternatif seulement avec une source de courant continu.

Évitez tout contact corporel avec des surfaces mises à la terre (tuyauterie, radiateurs, cuisinières, réfrigérateurs, etc.). Le risque de choc électrique est plus grand si votre corps est en contact avec la terre. Si l'utilisation de l'outil électrique dans un endroit humide est inévitable, un disjoncteur de fuite à la terre doit être utilisé pour alimenter votre outil. Des chaussures et des gants en caoutchouc d'électricien contribueront à accroître davantage votre sécurité personnelle.

N'exposez pas les outils électriques à la pluie ou à l'eau. La présence d'eau dans un outil électrique augmente le risque de choc électrique.

Ne maltraitez pas le cordon. Ne transportez pas l'outil par son cordon et ne débranchez pas la fiche en tirant sur le cordon. N'exposez pas le cordon à la chaleur, à des huiles, à des arêtes vives ou à des pièces en mouvement. Remplacez immédiatement un cordon endommagé. Un cordon endommagé augmente le risque de choc électrique.

Lorsque vous utilisez un outil électrique à l'extérieur, employez un prolongateur pour l'extérieur marqué « W-A » ou « W ». Ces cordons sont faits pour être utilisés à l'extérieur et réduisent le risque de choc électrique. Reportez-vous aux « Dimensions recommandées des cordons de rallonge » dans la section Accessoires de ce manuel.

Sécurité des personnes

Restez alerte, concentrez-vous sur votre travail et faites preuve de jugement. N'utilisez pas un outil électrique si vous êtes fatigué ou sous l'influence de drogues, d'alcool ou de médicaments. Un instant d'inattention suffit pour entraîner des blessures graves.

Habillez-vous convenablement. Ne portez ni vêtements flottants ni bijoux. Confinez les cheveux longs. N'approchez jamais les cheveux, les vêtements ou les gants des pièces en mouvement. Des vêtements flottants, des bijoux ou des cheveux longs risquent d'être happés par des pièces en mouvement. Gardez les poignées sèches, propres et exemptes d'huile et de graisse.

Méfiez-vous d'un démarrage accidentel. Avant de brancher l'outil, assurez-vous que son interrupteur est sur ARRÊT. Le fait de transporter un outil avec le doigt sur la détente ou de brancher un outil dont l'interrupteur est en position MARCHE peut mener tout droit à un accident.

Enlevez les clés de réglage ou de serrage avant de démarrer l'outil. Une clé laissée dans une pièce tournante de l'outil peut provoquer des blessures.

Ne vous penchez pas trop en avant. Maintenez un bon appui et restez en équilibre en tout temps. Une bonne stabilité vous permet de mieux réagir à une situation inattendue.

Utilisez des accessoires de sécurité. Portez toujours des lunettes ou une visière. Selon les conditions, portez aussi un masque antipoussière, des bottes de sécurité antidérapantes, un casque protecteur et/ou un appareil antibruit.

Utilisation et entretien des outils

Immobilisez le matériau sur une surface stable au moyen de brides ou de toute autre façon adéquate. Le fait de tenir la pièce avec la main ou contre votre corps offre une stabilité insuffisante et peut amener un dérapage de l'outil.

Ne forcez pas l'outil. Utilisez l'outil approprié à la tâche. L'outil correct fonctionne mieux et de façon plus sécuritaire. Respectez aussi la vitesse de travail qui lui est propre.

N'utilisez pas un outil si son interrupteur est bloqué. Un outil que vous ne pouvez pas commander par son interrupteur est dangereux et doit être réparé.

Débranchez la fiche de l'outil avant d'effectuer un réglage, de changer d'accessoire ou de ranger l'outil. De telles mesures préventives de sécurité réduisent le risque de démarrage accidentel de l'outil.

Rangez les outils hors de la portée des enfants et d'autres personnes inexpérimentées. Les outils sont dangereux dans les mains d'utilisateurs novices.

Prenez soin de bien entretenir les outils. Les outils de coupe doivent être toujours bien affûtés et propres. Des outils bien entretenus, dont les arêtes sont bien tranchantes, sont moins susceptibles de coincer et plus faciles à diriger. Toute altération ou modification constitue un usage erroné et peut causer un danger.

Soyez attentif à tout désalignement ou coincement des pièces en mouvement, à tout bris ou à toute autre condition préjudiciable au bon fonctionnement de l'outil. Si vous constatez qu'un outil est endommagé,

faites-le réparer avant de vous en servir. De nombreux accidents sont causés par des outils en mauvais état. Élaborez un calendrier d'entretien périodique de votre outil.

N'utilisez que des accessoires que le fabricant recommande pour votre modèle d'outil. Certains accessoires peuvent convenir à un outil, mais être dangereux avec un autre.

Réparation

La réparation des outils électriques doit être confiée à un réparateur qualifié. L'entretien ou la réparation d'un outil électrique par un amateur peut avoir des conséquences graves. Ainsi, des fils internes peuvent être mal placés ou pincés, des ressorts de rappel de protecteur peuvent être montés erronément.

Pour la réparation d'un outil, n'employez que des pièces de rechange d'origine. Suivez les directives données à la section « Réparation » de ce manuel. L'emploi de pièces non autorisées ou le non-respect des instructions d'entretien peut créer un risque de choc électrique ou de blessures. Certains agents nettoyants tels qu'essence, tétrachlorure de carbone, ammoniac, etc., peuvent abîmer les pièces en plastique.

Consignes de sécurité pour la rectifieuse de béton

Utilisez toujours un protecteur approprié avec la meule. Un protecteur protège l'opérateur contre les fragments de meules brisées et la boue de meule.

Les accessoires doivent être prévus pour au moins la vitesse recommandée sur l'étiquette d'avertissement de l'outil. Les meules et les autres accessoires fonctionnant à une vitesse supérieure à la vitesse nominale peuvent se détacher et provoquer des blessures. *La meule doit avoir une vitesse maximale de fonctionnement sûr supérieure au « régime sans charge » indiqué sur la plaque signalétique de l'outil.*

Tenez l'outil par les surfaces isolées de préhension en exécutant une opération au cours de laquelle l'outil de coupe peut venir en contact avec les fils cachés ou son propre cordon. Le contact avec un fil sous tension rendra les pièces métalliques exposées de l'outil sous tension et causera des chocs à l'opérateur.

Utilisez toujours la poignée auxiliaire pour un contrôle maximal sur le rebond ou la réaction de couple. Évitez les rebonds et de coincer la meule, surtout lors du travail sur des coins, des rebords vifs. L'utilisation de la rectifieuse sans poignée latérale peut provoquer la perte de contrôle et résulter en des blessures graves.

Avant d'utiliser la rectifieuse ou de poser une nouvelle meule, inspectez la surface de la meule pour y relever d'éventuels éclats, fissures ou

segments manquants. Retirez immédiatement les meules endommagées ou usées. Faites tourner l'outil sans charge pendant une minute, en tenant l'outil à l'écart des personnes. Les meules défectueuses se brisent normalement pendant cette période.

Manipulez avec précaution l'outil et les meules individuelles pour éviter des éclats pendant le meulage ou la rectification. N'utilisez pas de meule pouvant être endommagée. Les fragments d'une meule qui éclate pendant le fonctionnement sont projetés à grande vitesse et peuvent heurter l'utilisateur ou d'autres personnes.

N'utilisez pas de meule de dimensions supérieures à la taille maximale recommandée pour votre outil. Le protecteur d'une rectifieuse est limité à la taille nominale de la machine, l'utilisation d'accessoires de meulage plus grands ou non autorisés peut entraîner des blessures.

N'utilisez que des meules boisseaux diamantées pour travail à sec avec la rectifieuse. La rectifieuse n'est pas prévue pour l'utilisation avec des meules de rectification, de coupe ou boisseaux ordinaires ou avec des brosses métalliques. L'utilisation d'autres accessoires peut provoquer des blessures.

Portez des vêtements appropriés en utilisant une rectifieuse. Portez des gants rembourrés et des protège-oreilles lors de l'utilisation de l'outil et

limitez le temps d'exposition en faisant des pauses fréquentes. Un écran facial ou au moins des lunettes de sécurité, un masque antipoussière, des gants en cuir et un tablier d'atelier sont susceptibles d'arrêter les petits fragments d'ouvrage ou de meule. Une exposition prolongée aux bruits de haute intensité peut provoquer une perte de l'ouïe. Les vibrations causées par le meulage de surface peuvent être nocives aux mains et aux bras.

Placez le cordon à l'écart de la meule en rotation. N'enroulez pas le cordon autour de votre bras ou de votre poignet. Si vous perdez contrôle et que le cordon est enroulé autour de votre bras ou de votre poignet, il peut vous emprisonner et vous blesser.

Lors de la dépose de la meule de l'outil, évitez de le toucher avec la peau et utilisez des gants de protection lorsque vous saisissez l'accessoire. Les accessoires peuvent être chauds après une utilisation prolongée.

Ne faites pas fonctionner l'outil en le portant à votre côté. Une meule en rotation peut se prendre dans vos vêtements et entraîner des blessures.

Nettoyez régulièrement les prises d'airs de l'outil à l'air comprimé. Une accumulation excessive de métal en poudre dans le carter du moteur peut provoquer des défaillances électriques.

Ne rectifiez ni ne poncez à proximité de matières inflammables. Les étincelles provenant de la meule pourraient enflammer ces matières.

⚠ AVERTISSEMENT Les travaux à la machine tel que ponçage, sciage, meulage, perçage et autres travaux du bâtiment peuvent créer des poussières contenant des produits chimiques qui sont des causes reconnues de cancer, de malformation congénitale ou d'autres problèmes reproductifs. Ces produits chimiques sont, par exemple :

- Le plomb provenant des peintures à base de plomb,
- Les cristaux de silices provenant des briques et du ciment et d'autres produits de maçonnerie, et
- L'arsenic et le chrome provenant des bois traités chimiquement.

Le niveau de risque dû à cette exposition varie avec la fréquence de ces types de travaux. Pour réduire l'exposition à ces produits chimiques, il faut travailler dans un lieu bien ventilé et porter un équipement de sécurité approprié tel que certains masques à poussière conçus spécialement pour filtrer les particules microscopiques.

Symboles

Important : Certains des symboles suivants peuvent être utilisés sur votre outil. Veuillez les étudier et apprendre leur signification. Une interprétation appropriée de ces symboles vous permettra d'utiliser l'outil de façon plus efficace et plus sûre.

Symbole	Nom	Désignation/Explication
V	Volts	Tension (potentielle)
A	Ampères	Courant
Hz	Hertz	Fréquence (cycles par seconde)
W	Watt	Puissance
kg	Kilogrammes	Poids
min	Minutes	Temps
s	Secondes	Temps
∅	Diamètre	Taille des mèches de perceuse, meules, etc.
n_0	Vitesse à vide	Vitesse de rotation, à vide
.../min	Tours ou mouvement alternatif par minute	Tours, coups, vitesse en surface, orbites, etc., par minute,
0	Position d'arrêt	Vitesse zéro, couple zéro ...
1, 2, 3, ... I, II, III, ...	Réglages du sélecteur	Réglages de vitesse, de couple ou de position. Un nombre plus élevé signifie une vitesse plus grande.
	Sélecteur variable à l'infini avec arrêt	La vitesse augmente depuis le réglage 0
	Flèche	Action dans la direction de la flèche
	Courant alternatif	Type ou caractéristique du courant
	Courant continu	Type ou caractéristique du courant
	Courant alternatif ou continu	Type ou caractéristique du courant
	Construction classe II isolation	Désigne des outils construits avec double
	Borne de terre	borne de mise à la terre
	Symbole d'avertissement	Alerte l'utilisateur aux messages d'avertissement.
	Sceau Ni-Cad RBRCmc	Désigne le programme de recyclage des piles Ni-Cad.



Ce symbole signifie que cet outil est approuvé par Underwriters Laboratories.



Ce symbole signifie que cet outil est approuvé conformément aux normes canadiennes par Underwriters Laboratories.



Ce symbole signifie que cet outil se conforme aux normes mexicaines NOM.



Ce symbole signifie que cet outil est approuvé par l'Association canadienne de normalisation.



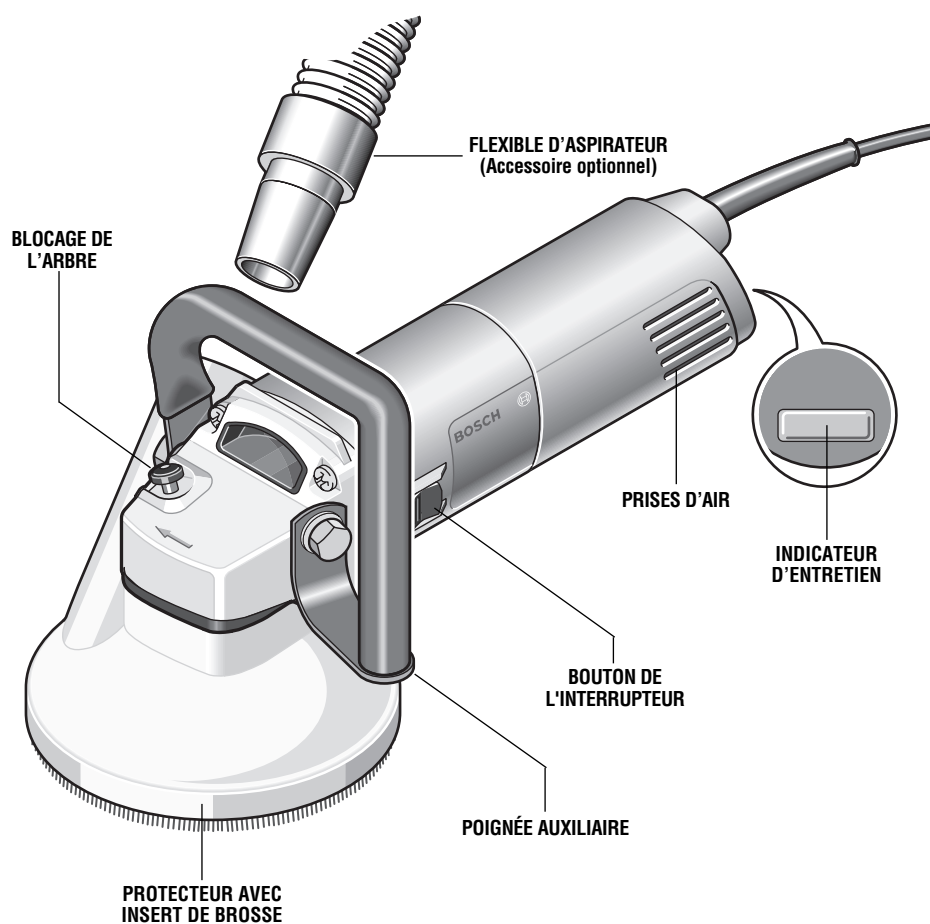
Ce symbole signifie que cet outil est approuvé par Underwriters Laboratories et qu'il a été homologué selon les normes canadiennes par Underwriters Laboratories.

Description fonctionnelle et spécifications

⚠ AVERTISSEMENT Débranchez la fiche de la prise de courant avant d'effectuer quelque assemblage ou réglage que ce soit ou de changer les accessoires. Ces mesures de sécurité préventive réduisent le risque d'une mise en marche accidentelle de l'outil.

Rectifieuse de béton

FIG. 1



Numéro de modèle 1773AK

Diamètre de la meule boisseau diamantée pour travail à sec 5 po (127 mm)

REMARQUE : Pour spécifications de l'outil, reportez-vous à la plaque signalétique de votre outil.

Assemblage

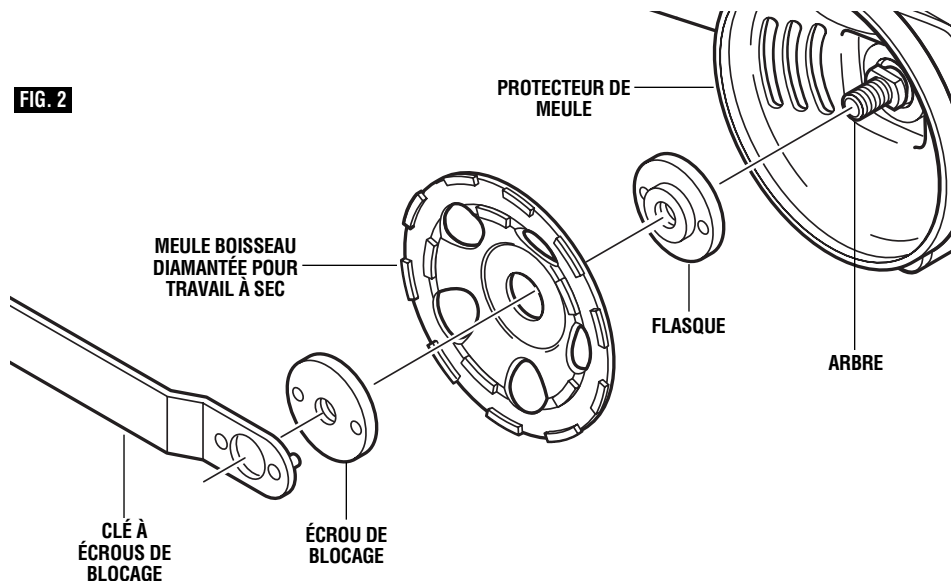
DÉPOSE ET POSE DE MEULES

1. Appuyez sur le bouton de verrouillage de l'arbre pour empêcher à la meule de tourner.
2. Desserrez l'écrou de blocage avec la clé fournie et déposez l'écrou et la meule boisseau diamantée pour travail à sec (fig. 2).

3. Nettoyez la flasque, l'arbre, l'écrou de blocage et le protecteur avec l'insert de brosse.

4. Placez une nouvelle meule boisseau diamantée pour travail à sec sur l'arbre. Appuyez sur le verrouillage de l'arbre et vissez l'écrou de blocage sur l'arbre et serrez l'écrou avec la clé fournie.

FIG. 2

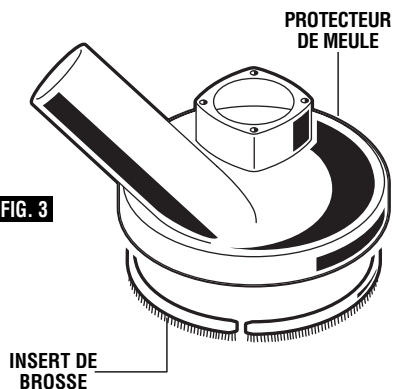


REMPACEMENT DE L'INSERT DE BROSSE

1. La meule boisseau diamantée pour travail à sec montée, recherchez la séparation dans l'insert de brosse.
2. Commencez à soulever l'insert de brosse par effet de levier avec un tournevis plat au début de la séparation et déposez l'insert de brosse (fig. 3).
3. Pressez l'insert de brosse neuf avec précaution dans le protecteur, jusqu'à ce qu'il s'arrête contre l'épaulement du protecteur.

REMARQUE : Assurez-vous toujours que les poils de l'insert de brosse ne se trouvent pas dans la gorge de l'insert.

FIG. 3



Consignes de fonctionnement

INTERRUPTEUR À COULISSE AVEC BLOCAGE EN MARCHÉ

L'outil se met en marche à l'aide du bouton d'interrupteur situé sur le côté du carter du moteur. L'interrupteur peut être bloqué en position de marche, fonction commode pour les longues opérations de rectification.

Pour mettre l'outil en marche sans le verrouiller, glissez l'interrupteur vers l'avant en appuyant SEULEMENT sur la partie ARRIÈRE du bouton. Au relâchement, le bouton retournera à la position d'arrêt.

POUR BLOQUER L'INTERRUPTEUR EN MARCHÉ, glissez l'interrupteur vers l'avant et appuyez sur la partie AVANT du bouton.

POUR DÉBLOQUER L'INTERRUPTEUR, appuyez simplement sur la partie ARRIÈRE du bouton et relâchez-le aussitôt. Étant donné que l'interrupteur est à ressort, il reviendra automatiquement.

AVERTISSEMENT Tenez l'outil à deux mains à la mise en marche car le couple du moteur peut transmettre une certaine torsion.

Mettez l'outil en marche avant de le poser sur la pièce. De même, soulevez-le avant d'en relâcher l'interrupteur. Pour prolonger la durée de l'interrupteur, évitez de le mettre sous tension et hors tension pendant que l'outil est à l'oeuvre.

CIRCUIT DE RÉACTION ÉLECTRONIQUE (CRE)

Le dispositif de réaction interne assure un « départ en douceur », réduisant ainsi les contraintes que procure un départ à couple élevé. Le système aide également à

garder la vitesse à vide essentiellement constante entre les conditions à vide et de charge.

PROTECTION CONTRE LA SURCHARGE

Votre outil est équipé d'une protection contre la surcharge afin de protéger le moteur. Si l'outil s'arrête durant le fonctionnement, METTEZ L'INTERRUPTEUR À L'ARRÊT IMMÉDIATEMENT et laissez le moteur refroidir pendant environ 30 secondes en fonctionnant à vide. Si la protection contre la surcharge arrête l'outil à plusieurs reprises, une force excessive cause la surcharge de l'outil. N'exercez pas une pression si forte et laissez l'outil faire le travail.

EXTRACTION DE LA POUSSIÈRE

AVERTISSEMENT Cet outil doit être utilisé uniquement avec un système d'extraction de poussière. De plus, portez toujours un masque antipoussière agréé.

Votre outil est pourvu d'un orifice poussières pour l'extraction de la poussière. Pour utiliser cette fonction, posez un flexible d'aspirateur (accessoire optionnel) sur l'orifice poussières, et raccordez l'extrémité opposée du flexible à un aspirateur d'atelier.

Assurez-vous toujours que l'aspirateur que vous utilisez est conçu pour l'extraction de poussière de maçonnerie.

POIGNÉE AUXILIAIRE

La poignée auxiliaire, utilisée pour guider et équilibrer l'outil, peut être boulonnée d'un côté comme de l'autre du boîtier de l'arbre, suivant les choix personnels et le confort. Utilisez toujours la poignée auxiliaire afin de maximaliser le contrôle et la facilité de fonctionnement.

Conseils pratiques

Cet outil est conçu pour le meulage, l'ébavurage et le ponçage de matériaux principalement minéraux tels que, notamment, le béton, la pierre, le marbre et les dalles coulées, sans utilisation d'eau. Il peut également être utilisé pour l'élimination de revêtements de protection et de résidus adhésifs.

N'utilisez pas d'eau ou d'autre liquide de refroidissement pendant le meulage avec cet outil.

Laissez l'outil atteindre sa pleine vitesse avant de l'appliquer sur la surface à travailler.

Maintenez l'outil avec les deux mains et appliquez la meule diamantée à plat sur la surface à travailler, en faisant aller et venir l'outil modérément.

Lors de l'élimination de revêtements de surfaces, tenez l'outil à un angle léger avec la surface à travailler. Le maintien de l'outil à un angle léger n'affecte pas l'extraction de poussière.

La meule boisseau diamantée pour travail à sec, incluse avec l'outil, est prévue pour les matériaux durs.

La meule boisseau diamantée pour travail à sec peut être affûtée avec un matériau abrasif (par exemple, du grès calcaire).

Quatre types différents de meules diamantées sont disponibles comme accessoires facultatifs.

Reportez-vous au tableau suivant pour des exemples d'utilisations.

Type de meule	DC 510	DC 520	DC 500	DC 530
Béton ancien/dur	x			
Dalles, béton, enduit de béton à la chaux, béton abrasif, grès et asphalte		x		
Revêtement protecteur thermoplastique			x	
Granite, pierre artificielle, béton universel				x

Maintenance

Entretien

⚠ AVERTISSEMENT L'entretien préventif effectué par des employés non autorisés peut entraîner un positionnement erroné des composants et des fils internes, et ainsi causer des dangers sévères. Il est recommandé que l'entretien et la réparation de nos outils soient confiés à un centre de service-usine Bosch ou à un centre de service après-vente Bosch agréé.

INDICATEUR D'ENTRETIEN

L'indicateur d'entretien s'allume ou clignote pour signaler que les balais mettront l'outil hors tension dans les prochaines 8 heures environ. Une fois que ce délai est écoulé, le témoin s'éteindra et l'outil ne fonctionnera plus. Il faudra donc confier l'entretien de l'outil à un centre de service.

GRAISSAGE DE L'OUTIL

Votre outil Bosch a été convenablement graissé et est prêt à utiliser. Il est recommandé que les outils à engrenages soient regraissés avec une graisse spéciale à l'occasion de tout remplacement de balais.

BALAIS DE CHARBON

Les balais et le collecteur de votre outil ont été conçus pour donner plusieurs heures de fonctionnement sans aléas. Pour maintenir le moteur en forme, nous recommandons d'examiner les balais tous les deux à six mois. Vous ne devriez utiliser que les balais de rechange d'origine Bosch qui conviennent spécialement à votre outil.

ROULEMENTS

Après environ 300 à 400 heures d'utilisation, ou à tous les deux remplacements des balais, il faudrait confier le remplacement des roulements à un centre de service-usine Bosch ou à un centre de service après-vente Bosch agréé. Les roulements qui sont devenus bruyants (à cause de sciage de matériaux très abrasifs ou de durs efforts) devraient être remplacés à l'instant pour éviter la surchauffe et la défaillance du moteur.

Nettoyage

⚠ AVERTISSEMENT Pour éviter le risque d'accidents, débranchez toujours l'outil de la prise de courant avant de procéder au nettoyage ou à l'entretien. Vous pouvez très bien le nettoyer à l'air comprimé. Dans ce cas, portez toujours des lunettes de sécurité.

Gardez les prises d'air et les interrupteurs propres et libres de débris. N'essayez pas de les nettoyer en introduisant des objets pointus dans leurs ouvertures.

⚠ MISE EN GARDE Certains produits de nettoyage et dissolvants dont la gazoline, le tétrachlorure de carbone, les nettoyeurs chlorés, l'ammoniaque et les détergents ménagers contenant de l'ammoniaque peuvent abîmer les pièces en plastique.

Accessoires

⚠ AVERTISSEMENT Si un cordon de rallonge s'avère nécessaire, vous devez utiliser un cordon avec conducteurs de dimension adéquate pouvant porter le courant nécessaire à votre outil. Ceci préviendra une chute excessive de tension, une perte de courant ou une surchauffe. Les outils mis à la terre doivent utiliser des cordons de rallonge trifilaires pourvus de fiches à trois broches ainsi que des prises à trois broches.

REMARQUE : Plus le calibre est petit, plus le fil est gros.

DIMENSIONS DE RALLONGES RECOMMANDÉES OUTILS 120 VOLTS COURANT ALTERNATIF

Intensité nominale de l'outil	Longueur en pieds				Longueur en mètres			
	Calibre A.W.G.				Calibre en mm ²			
	25	50	100	150	15	30	60	120
3-6	18	16	16	14	.75	.75	1.5	2.5
6-8	18	16	14	12	.75	1.0	2.5	4.0
8-10	18	16	14	12	.75	1.0	2.5	4.0
10-12	16	16	14	12	1.0	2.5	4.0	—
12-16	14	12	—	—	—	—	—	—

- * Protecteur de meule
- * Insert de brosse
- * Flasque
- * Meule boisseau diamantée pour travail à sec
- * Écrou de blocage
- * Clé écrou de blocage

- * Poignée auxiliaire
- * Étui
- ** Flexible d'aspirateur

(* = équipement de série)
(** = accessoires optionnels)

Normas de seguridad para herramientas mecánicas

⚠ ADVERTENCIA Lea y entienda todas las instrucciones. El incumplimiento de todas las instrucciones indicadas a continuación puede dar lugar a sacudidas eléctricas, incendios y/o lesiones personales graves.

CONSERVE ESTAS INSTRUCCIONES

Area de trabajo

Mantenga el área de trabajo limpia y bien iluminada. Las mesas desordenadas y las áreas oscuras invitan a que se produzcan accidentes.

No utilice herramientas mecánicas en atmósferas explosivas, tales como las existentes en presencia de líquidos, gases o polvos inflamables. Las herramientas mecánicas generan chispas y éstas pueden dar lugar a la ignición del polvo o los vapores.

Mantenga a las personas que se encuentren presentes, a los niños y a los visitantes alejados al utilizar una herramienta mecánica. Las distracciones pueden hacer que usted pierda el control.

Seguridad eléctrica

Las herramientas con aislamiento doble están equipadas con un enchufe polarizado (un terminal es más ancho que el otro). Este enchufe entrará en un tomacorriente polarizado solamente de una manera. Si el enchufe no entra por completo en el tomacorriente, déle la vuelta. Si sigue sin entrar, póngase en contacto con un electricista competente para instalar un tomacorriente polarizado. No haga ningún tipo de cambio en el enchufe. El aislamiento doble elimina la necesidad del sistema de cordón de energía de tres hilos conectado a tierra y la fuente de energía conectada a tierra. *Antes de enchufar la herramienta, asegúrese de que la tensión del tomacorriente suministrada se encuentre dentro del margen de la tensión especificada en la placa del fabricante. No utilice herramientas con capacidad nominal "AC solamente" ("AC only") con una fuente de energía DC.*

Evite el contacto del cuerpo con las superficies conectadas a tierra tales como tuberías, radiadores, estufas de cocina y refrigeradores. Hay mayor riesgo de que se produzcan sacudidas eléctricas si su cuerpo está conectado a tierra. Si la utilización de la herramienta mecánica en lugares húmedos es inevitable, se debe usar un interruptor de circuito para fallos a tierra para suministrar la energía a la herramienta. Los guantes de goma para electricista y el calzado antideslizante aumentarán más la seguridad personal.

No exponga las herramientas mecánicas a la lluvia ni a situaciones húmedas. La entrada de agua en una herramienta mecánica aumentará el riesgo de que se produzcan sacudidas eléctricas.

No abuse del cordón. Nunca use el cordón para llevar las herramientas ni para sacar el enchufe de un tomacorriente. Mantenga el cordón alejado del calor, el aceite, los bordes afilados o las piezas móviles. Cambie los cordones dañados inmediatamente. Los cordones dañados aumentan el riesgo de que se produzcan sacudidas eléctricas.

Al utilizar una herramienta mecánica a la intemperie, utilice un cordón de extensión para intemperie marcado "W-A" o "W". Estos cordones tienen capacidad nominal para uso a la intemperie y reducen el riesgo de que se produzcan sacudidas eléctricas. Consulte "Tamaños recomendados de los cordones de extensión" en la sección Accesorios de este manual.

Seguridad personal

Manténgase alerta, fíjese en lo que está haciendo y use el sentido común cuando utilice una herramienta mecánica. No use la herramienta cuando esté cansado o se encuentre bajo la influencia de drogas, alcohol o medicamentos. Un momento de distracción al utilizar herramientas mecánicas puede dar lugar a lesiones personales graves.

Vístase adecuadamente. No se ponga ropa holgada ni joyas. Sujétese el pelo. Mantenga el pelo, la ropa y los guantes alejados de las piezas móviles. La ropa holgada, las joyas o el pelo largo pueden quedar atrapados en las piezas móviles. Mantenga los mangos secos, limpios y libres de aceite y grasa.

Evite el arranque accidental. Asegúrese de que el interruptor esté en la posición "OFF" (apagado) antes de enchufar la herramienta. El llevar las herramientas con el dedo en el interruptor o el enchufar herramientas que tengan el interruptor en la posición "ON" (encendido) invita a que se produzcan accidentes.

Quite las llaves de ajuste o de tuerca antes de encender la herramienta. Una llave de ajuste o de tuerca que se deje puesta en una pieza giratoria de la herramienta puede ocasionar lesiones personales.

No intente alcanzar demasiado lejos. Mantenga un apoyo de los pies y un equilibrio adecuados en todo momento. El apoyo de los pies y el equilibrio adecuados permiten un mejor control de la herramienta en situaciones inesperadas.

Utilice equipo de seguridad. Use siempre protección de los ojos. Se debe utilizar una máscara antipolvo, zapatos de seguridad antideslizantes, casco o protección de los oídos según lo requieran las condiciones.

Utilización y cuidado de las herramientas

Utilice abrazaderas u otro modo práctico de fijar y soportar la pieza de trabajo a una plataforma estable. La sujeción de la pieza de trabajo con la mano o contra el cuerpo resulta inestable y puede ocasionar pérdida de control.

No fuerce la herramienta. Use la herramienta correcta para la aplicación que desea. La herramienta correcta hará el trabajo mejor y con más seguridad a la capacidad nominal para la que está diseñada.

No utilice la herramienta si el interruptor no la enciende o apaga. Toda herramienta que no se pueda controlar con el interruptor es peligrosa y debe ser reparada.

Desconecte el enchufe de la fuente de energía antes de hacer cualquier ajuste, cambiar accesorios o guardar la herramienta. Estas medidas de seguridad preventivas reducen el riesgo de arrancar la herramienta accidentalmente.

Guarde las herramientas que no esté usando fuera del alcance de los niños y otras personas no capacitadas. Las herramientas son peligrosas en las manos de los usuarios no capacitados.

Mantenga las herramientas con cuidado. Conserve las herramientas de corte afiladas y limpias. Las herramientas mantenidas adecuadamente, con bordes de corte afilados, tienen menos probabilidades de atascarse y son más fáciles de controlar. Toda alteración o modificación constituye un uso incorrecto y puede tener como resultado una situación peligrosa.

Compruebe la desalineación o el atasco de las piezas móviles, la ruptura de piezas y cualquier otra

situación que pueda afectar el funcionamiento de las herramientas. Si la herramienta está dañada, haga que realicen un servicio de ajustes y reparaciones a la herramienta antes de usarla. Muchos accidentes son causados por herramientas mantenidas deficientemente. Establezca un programa de mantenimiento periódico para la herramienta.

Utilice únicamente accesorios que estén recomendados por el fabricante de su modelo. Los accesorios que pueden ser adecuados para una herramienta pueden volverse peligrosos cuando se utilizan en otra herramienta.

Servicio

El servicio de ajustes y reparaciones de una herramienta debe ser realizado únicamente por personal de reparaciones competente. El servicio o mantenimiento realizado por personal no competente podría ocasionar un peligro de que se produzcan lesiones. Por ejemplo: Los cables internos pueden colocarse mal o pellizcarse, los resortes de retorno de los protectores de seguridad pueden montarse inadecuadamente.

Al realizar servicio de ajustes y reparaciones de una herramienta, utilice únicamente piezas de repuesto idénticas. Siga las instrucciones que aparecen en la sección Mantenimiento de este manual. El uso de piezas no autorizadas o el incumplimiento de las instrucciones de Mantenimiento puede ocasionar un peligro de que se produzcan sacudidas eléctricas o lesiones. Ciertos agentes de limpieza, tales como gasolina, tetracloruro de carbono, amoníaco, etc., pueden dañar las piezas de plástico.

Normas de seguridad para alisadoras de concreto

Use siempre el protector adecuado con la rueda de amolar. Un protector protege al operador contra los fragmentos de una rueda de amolar rota y las virutas producidas por el amolado.

Los accesorios deben tener capacidad nominal para al menos la velocidad recomendada en la etiqueta de advertencia de la herramienta. Las ruedas de amolar y otros accesorios que funcionen a velocidades superiores a la velocidad nominal pueden saltar en pedazos y causar lesiones. *Las ruedas de amolar deben tener una velocidad máxima de funcionamiento con seguridad superior a las "RPM sin carga" especificadas en la placa del fabricante de la herramienta.*

Sujete la herramienta por las superficies de agarre aisladas cuando realice una operación en la que la herramienta de corte pueda entrar en contacto con cables ocultos o con su propio cordón. El contacto con

un cable que tenga corriente hará que ésta pase a las partes metálicas descubiertas de la herramienta y que el operador reciba sacudidas eléctricas.

Utilice siempre el mango auxiliar para tener el máximo control sobre la reacción de par motor o el retroceso. Evite rebotar y desbatar la rueda de amolar, especialmente al trabajar en esquinas, bordes afilados, etc. La utilización de la alisadora de concreto sin el mango lateral podría causar pérdida de control de la misma, dando como resultado posibles lesiones personales graves.

Antes de utilizar la alisadora de concreto o de instalar una rueda de amolar nueva, inspeccione si la rueda de amolar superficies está mellada o agrietada, o si le faltan segmentos. Quite inmediatamente las ruedas de amolar dañadas o desgastadas. Haga funcionar la herramienta sin carga durante un minuto,

sujetándola orientada en sentido opuesto a las personas que estén presentes. Normalmente, las ruedas de amolar que tengan defectos se romperán en pedazos durante este período de tiempo.

Maneje cuidadosamente la herramienta y las ruedas de amolar superficies individuales para evitar desbastar, amolar o alisar. No utilice una rueda de amolar que pueda estar dañada. Los fragmentos de una rueda de amolar que salte en pedazos durante el funcionamiento saldrán despedidos a gran velocidad y posiblemente le golpearán a usted o golpearán a las personas que estén presentes.

No utilice una rueda de amolar superficies de tamaño mayor al tamaño máximo recomendado para su herramienta. El protector de una alisadora de concreto está limitado al tamaño nominal de la máquina. El uso de accesorios de rueda de amolar más grandes o no autorizados puede causar lesiones.

Utilice únicamente ruedas acopadas de alisar de diamante de corte en seco con la alisadora de concreto. La alisadora de concreto no está diseñada para utilizarse con ruedas acopadas de corte de amolado estándar ni con cepillos de alambre. El uso de otros accesorios puede causar lesiones.

Utilice la indumentaria adecuada cuando utilice una alisadora de concreto. Use guantes acolchados gruesos, use protectores de oídos cuando utilice la herramienta y limite el tiempo de exposición tomando frecuentes períodos de descanso. Debe usar una careta protectora o al menos anteojos de seguridad, máscara antipolvo, guantes de cuero y delantal de taller capaces de detener los fragmentos pequeños de la rueda de amolar o de la pieza de trabajo. La exposición prolongada a ruido de alta intensidad puede causar pérdida de audición. La vibración causada por la acción de amolado de la superficie puede ser perjudicial para las manos y los brazos.

Posicione el cordón alejado de la rueda de amolar superficies que gira. No enrolle el cordón alrededor

del brazo o de la muñeca. Si pierde el control y tiene el cordón enrollado en el brazo o en la muñeca, el cordón puede atraparle y causarle lesiones.

Cuando quite la rueda de amolar superficies de la herramienta, evite el contacto con la piel y utilice guantes protectores adecuados cuando agarre el accesorio. Los accesorios pueden estar calientes después del uso prolongado.

No tenga en marcha la herramienta mientras la lleve a su lado. Una rueda de amolar que gira podría engancharse en la ropa y el resultado podría ser lesiones.

Limpie regularmente con aire comprimido las aberturas de ventilación de la herramienta. La acumulación excesiva de metal en polvo dentro de la carcasa del motor puede causar averías eléctricas.

No amuele ni lije cerca de materiales inflamables. Las chispas provenientes de la rueda de amolar podrían inflamar estos materiales.

⚠ ADVERTENCIA Cierta polvo generado por el lijado, aserrado, amolado y taladrado mecánicos, y por otras actividades de construcción, contiene agentes químicos que se sabe que causan cáncer, defectos de nacimiento u otros daños sobre la reproducción. Algunos ejemplos de estos agentes químicos son:

- Plomo de pinturas a base de plomo,
- Sílice cristalina de ladrillos y cemento y otros productos de mampostería, y
- Arsénico y cromo de madera tratada químicamente.

Su riesgo por causa de estas exposiciones varía, dependiendo de con cuánta frecuencia realice este tipo de trabajo. Para reducir su exposición a estos agentes químicos: trabaje en un área bien ventilada y trabaje con equipo de seguridad aprobado, como por ejemplo máscaras antipolvo que estén diseñadas especialmente para impedir mediante filtración el paso de partículas microscópicas.

Símbolos

Importante: Es posible que algunos de los símbolos siguientes se usen en su herramienta. Por favor, estúdielos y aprenda su significado. La interpretación adecuada de estos símbolos le permitirá utilizar la herramienta mejor y con más seguridad.

Símbolo	Nombre	Designación/explicación
V	Volt	Tensión (potencial)
A	Ampere	Corriente
Hz	Hertz	Frecuencia (ciclos por segundo)
W	Watt	Potencia
kg	Kilogramo	Peso
min	Minuto	Tiempo
s	Segundo	Tiempo
∅	Diámetro	Tamaño de las brocas taladradoras, muelas, etc.,
n_0	Velocidad sin carga	Velocidad rotacional sin carga
.../min	Revoluciones o alternación por minuto	Revoluciones, golpes, velocidad de superficie, órbitas, etc., por minuto
0	Posición "off" (apagado)	Velocidad cero, par motor cero...
1, 2, 3, ... I, II, III,	Graduaciones del selector	Graduaciones de velocidad, par motor o posición. Un número más alto significa mayor velocidadselector settings
	Selector infinitamente variable con apagado	La velocidad aumenta desde la graduación de 0
	Flecha	Acción en la dirección de la flecha
	Corriente alterna	Tipo o una característica de corriente
	Corriente continua	Tipo o una característica de corriente
	Corriente alterna o continua	Tipo o una característica de corriente
	Construcción de clase II	Designa las herramientas de construcción con aislamiento doble.
	Terminal de toma de tierra	Terminal de conexión a tierra
	Símbolo de advertencia	Alerta al usuario sobre mensajes de advertencia
	Sello RBRCTM de Ni-Cd	Designa el programa de reciclaje de baterías de Ni-Cd



Este símbolo indica que esta herramienta está catalogada por Underwriters Laboratories.



Este símbolo indica que Underwriters Laboratories ha catalogado esta herramienta indicando que cumple las normas canadienses.



Este símbolo indica que esta herramienta cumple con la norma mexicana oficial (NOM).



Este símbolo indica que esta herramienta está catalogada por la Canadian Standards Association.



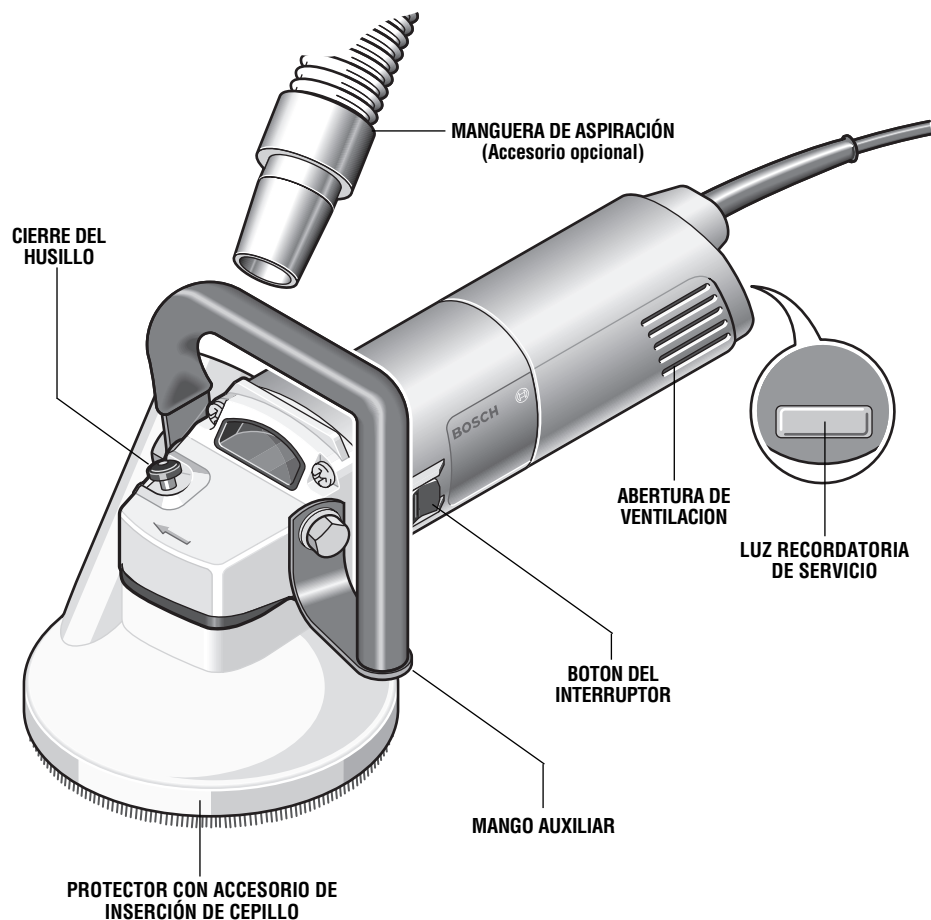
Este símbolo indica que esta herramienta está catalogada por Underwriters Laboratories y que Underwriters Laboratories la ha catalogado según las normas canadienses.

Descripción funcional y especificaciones

⚠ ADVERTENCIA Desconecte el enchufe de la fuente de energía antes de realizar cualquier ensamblaje o ajuste, o cambiar accesorios. Estas medidas de seguridad preventivas reducen el riesgo de arrancar la herramienta accidentalmente.

Alisadora de concreto

FIG. 1



Número de modelo 1773AK

Diámetro de la rueda acopada de diamante de corte en seco (127 mm)

NOTA: Para obtener las especificaciones de la herramienta, consulte la placa del fabricante colocada en la herramienta.

Ensamblaje

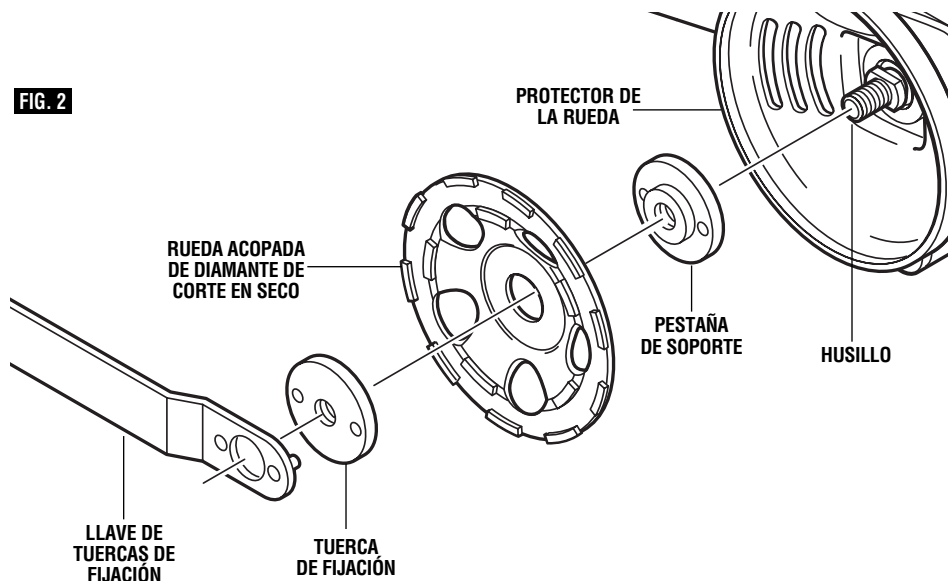
REMOCIÓN E INSTALACIÓN DE LAS RUEDAS DE AMOLAR

1. Oprima el botón del cierre del husillo para evitar que la rueda de amolar gire.
2. Afloje la tuerca de fijación con la llave de tuerca suministrada y quite la tuerca de fijación y la rueda acopada de diamante de corte en seco (fig. 2).

3. Limpie la pestaña de soporte, el husillo, la tuerca de fijación y el protector con el accesorio de inserción de cepillo.

4. Coloque la rueda acopada de diamante de corte en seco nueva en el husillo. Oprima el cierre del husillo, enrosque la tuerca de fijación en el husillo y apriete firmemente dicha tuerca de fijación con la llave de tuerca suministrada.

FIG. 2



REEMPLAZO DEL ACCESORIO DE INSERCIÓN DE CEPILLO

1. Con la rueda acopada de diamante de corte en seco montada, localice la separación en el accesorio de inserción de cepillo.

2. Comience a hacer palanca cuidadosamente y a levantar el accesorio de inserción de cepillo donde la separación empieza, utilizando un destornillador de punta plana, y quite el accesorio de inserción de cepillo (Fig. 3).

3. Presione cuidadosamente el accesorio de inserción de cepillo nuevo en el entrante que está en el protector hasta que se detenga sobre el resalto del protector.

NOTA: Asegúrese siempre de que las cerdas del accesorio de inserción de cepillo no estén acostadas en la depresión, al instalar el accesorio de inserción de cepillo.

FIG. 3



Instrucciones de funcionamiento

INTERRUPTOR CORREDIZO "ON/OFF" (DE ENCENDIDO Y APAGADO) CON CIERRE

La herramienta se enciende con el botón del interruptor ubicado en un lado de la caja del motor. El interruptor se puede fijar en la posición "ON" (encendido), lo cual resulta práctico al realizar operaciones prolongadas de amolado.

Para encender la herramienta (posición "ON") sin dejarla fija, deslice el botón de interruptor hacia adelante ejerciendo presión ÚNICAMENTE sobre la parte de ATRAS del botón. Al soltar completamente el botón del interruptor, éste volverá a la posición "OFF".

PARA FIJAR EL INTERRUPTOR EN LA POSICION "ON", deslice el botón del interruptor hacia adelante y OPRIMA la parte DELANTERA.

PARA DESBLOQUEAR EL INTERRUPTOR, simplemente oprima y suelte la parte de ATRAS del botón. El interruptor está accionado por resorte y saltará de vuelta automáticamente.

⚠ ADVERTENCIA Agarre la herramienta con las dos manos cuando arranque la herramienta, ya que el par de fuerzas del motor puede hacer que la herramienta se tuerza.

Arranque la herramienta antes de aplicarla a la pieza de trabajo. Levante la herramienta de la pieza de trabajo antes de soltar el interruptor. NO encienda y apague el interruptor mientras la herramienta está sometida a carga; esto acortará enormemente la vida del interruptor.

CIRCUITOS ELECTRONICOS DE RETROALIMENTACION (CER)

El sistema electrónico interno de retroalimentación proporciona un "arranque suave" que reducirá las tensiones que se producen como consecuencia de un

arranque de par motor alto. El sistema también ayuda a mantener la velocidad de percusión y la velocidad de rotación prácticamente constantes entre la situación sin carga y la situación con carga.

PROTECCION CONTRA SOBRECARGA

La herramienta está equipada con protección contra sobrecarga para proteger el motor. Si la herramienta se detiene durante el funcionamiento, APAGUE EL INTERRUPTOR INMEDIATAMENTE y deje que el motor se enfríe durante unos 30 segundos haciendo que funcione sin carga. Si la protección contra sobrecarga detiene repetidamente la herramienta, la fuerza excesiva está haciendo que la herramienta se sobrecargue. No presione con tanta fuerza y deje que la herramienta haga el trabajo.

EXTRACCIÓN DE POLVO

⚠ ADVERTENCIA Esta herramienta debe utilizarse solamente con un sistema de extracción de polvo. Además, use siempre una máscara antipolvo aprobada.

La herramienta está equipada con un orificio para polvo con el fin de extraer el polvo. Para utilizar este dispositivo, acople una manguera de aspiración (accesorio opcional) en el orificio para polvo y conecte el extremo opuesto de la manguera a una aspiradora de taller.

Asegúrese siempre de que la aspiradora que utilice esté diseñada para la extracción de polvo de mampostería.

MANGO AUXILIAR

El mango auxiliar, utilizado para guiar y equilibrar la herramienta, puede sujetarse con pernos en cualquiera de los lados de la carcasa del husillo según la preferencia personal y la comodidad del usuario. Utilice siempre el mango auxiliar para lograr un control máximo y un manejo fácil.

"Consejos para la herramienta"

Esta herramienta está diseñada para amolar, desbarbar y alisar principalmente materiales minerales, como por ejemplo concreto, piedra, mármol y revestimientos del piso vertidos sin el uso de agua. También puede utilizarse para quitar revestimientos protectores y residuos de adhesivo.

No utilice agua ni otro líquido de enfriamiento con esta herramienta para amolar.

Deje que la herramienta alcance toda su velocidad antes de aplicarla a la superficie de la pieza de trabajo.

Sostenga la herramienta con las dos manos y aplique la rueda de diamante plana sobre la superficie de trabajo, haciendo avanzar la herramienta moderadamente hacia atrás y hacia delante.

Cuando quite revestimientos de las superficies de trabajo, sostenga la herramienta formando un pequeño ángulo con la superficie de la pieza de trabajo. Al sostener la herramienta formando un pequeño ángulo con la superficie no se reducirá el efecto de la extracción de polvo.

La rueda acopada de diamante de corte en seco incluida con la herramienta está diseñada para materiales duros.

Una rueda acopada de diamante de corte en seco que esté desafilada puede afilarse con un material abrasivo (por ej., piedra arenisca cretácea).

Hay cuatro tipos distintos de ruedas de amolar de diamante disponibles como accesorios opcionales.

Consulte el cuadro para obtener ejemplos de su uso.

Tipo de rueda de amolar	DC 510	DC 520	DC 500	DC 530
Concreto viejo/duro	x			
Revestimientos del piso, concreto, enlucido de cal, concreto abrasivo, piedra arenisca y asfalto		x		
Revestimiento protector termoplástico			x	
Granito, piedra artificial, concreto universal				x

Mantenimiento

Servicio

⚠ ADVERTENCIA El mantenimiento preventivo realizado por personal no autorizado puede dar lugar a la colocación incorrecta de cables y componentes internos que podría constituir un peligro serio. Recomendamos que todo el servicio de las herramientas sea realizado por un Centro de servicio de fábrica Bosch o por una Estación de servicio Bosch autorizada.

LUZ RECORDATORIA DE SERVICIO

Cuando la luz recordatoria de servicio 8 se encienda o parpadee, esto indicará que las escobillas de carbón de desconexión apagarán la herramienta en aproximadamente horas. Después de ese período, la luz se apagará y la herramienta dejará de funcionar. En ese caso, la herramienta debe ser enviada a un centro de servicio para ser sometida a servicio de ajustes y reparaciones.

LUBRICACION DE LAS HERRAMIENTAS

Su herramienta Bosch ha sido lubricada adecuadamente y está lista para la utilización. Se recomienda que las herramientas con engranajes se vuelvan a engrasar con un lubricante especial para engranajes en cada cambio de escobillas.

ESCOBILLAS DE CARBÓN

Las escobillas y el conmutador de la herramienta han sido diseñados para muchas horas de servicio fiable. Para mantener un rendimiento óptimo del motor, recomendamos que cada dos a seis meses se examinen las escobillas. Sólo se deben usar escobillas de repuesto Bosch genuinas diseñadas específicamente para su herramienta.

RODAMIENTOS

Después de 300-400 horas de funcionamiento, o después de cada segundo cambio de escobillas, los rodamientos deben cambiarse en un Centro de servicio de fábrica Bosch o en una Estación de servicio Bosch autorizada. Los rodamientos que se vuelven ruidosos (debido a la pesada carga o al corte de materiales muy abrasivos) deben ser sustituidos inmediatamente para evitar el sobrecalentamiento o el fallo del motor.

Limpieza

⚠ ADVERTENCIA Para evitar accidentes desconecte siempre la herramienta de la fuente de energía antes de la limpieza o de la realización de cualquier mantenimiento. La herramienta se puede limpiar más eficazmente con aire comprimido seco. Use gafas de seguridad siempre que limpie herramientas con aire comprimido.

Las aberturas de ventilación y las palancas de interruptor deben mantenerse limpias y libres de materias extrañas. No intente limpiar introduciendo objetos puntiagudos a través de las aberturas.

⚠ PRECAUCION Ciertos agentes de limpieza y disolventes dañan las piezas de plástico. Algunos de estos son: gasolina, tetracloruro de carbono, disolventes de limpieza clorados, amoníaco y detergentes domésticos que contienen amoníaco.

Accesorios

⚠ ADVERTENCIA Si es necesario un cordón de extensión, se debe usar un cordón con conductores de tamaño adecuado que sea capaz de transportar la corriente necesaria para la herramienta. Esto evitará caídas de tensión excesivas, pérdida de potencia o recalentamiento. Las herramientas conectadas a tierra deben usar cordones de extensión de 3 hilos que tengan enchufes de 3 terminales y receptáculos para 3 terminales.

NOTA: Cuanto más pequeño es el número de calibre, más grueso es el cordón.

TAMAÑOS RECOMENDADOS DE CORDONES DE EXTENSION HERRAMIENTAS DE 120 V CORRIENTE ALTERNA

Capacidad nominal en amperes de la herramienta	Tamaño del cordón en A.W.G.				Tamaños del cable en mm ²			
	Longitud del cordón en pies				Longitud del cordón en metros			
	25	50	100	150	15	30	60	120
3-6	18	16	16	14	0,75	0,75	1,5	2,5
6-8	18	16	14	12	0,75	1,0	2,5	4,0
8-10	18	16	14	12	0,75	1,0	2,5	4,0
10-12	16	16	14	12	1,0	2,5	4,0	—
12-16	14	12	—	—	—	—	—	—

- * Protector de la muela
- * Accesorio de inserción de cepillo
- * Pestaña de soporte
- * Rueda acopada de diamante de corte en seco
- * Tuerca de fijación
- * Llave de tuercas de fijación

- * Mango auxiliar
- * Estuche de transporte
- * Manguera de aspiración

(* = equipo estándar)

(** = accesorios opcionales)

Notes:

Remarques :

Notas:

LIMITED WARRANTY OF BOSCH PORTABLE AND BENCHTOP POWER TOOLS

S-B Power Tool Company ("Seller") warrants to the original purchaser only, that all BOSCH portable and benchtop power tools will be free from defects in material or workmanship for a period of one year from date of purchase. SELLER'S SOLE OBLIGATION AND YOUR EXCLUSIVE REMEDY under this Limited Warranty and, to the extent permitted by law, any warranty or condition implied by law, shall be the repair or replacement of parts, without charge, which are defective in material or workmanship and which have not been misused, carelessly handled, or misrepaired by persons other than Seller or Authorized Service Station. To make a claim under this Limited Warranty, you must return the complete portable or benchtop power tool product, transportation prepaid, to any BOSCH Factory Service Center or Authorized Service Station. For Authorized BOSCH Power Tool Service Stations, please refer to your phone directory.

THIS LIMITED WARRANTY DOES NOT APPLY TO ACCESSORY ITEMS SUCH AS CIRCULAR SAW BLADES, DRILL BITS, ROUTER BITS, JIGSAW BLADES, SANDING BELTS, GRINDING WHEELS AND OTHER RELATED ITEMS.

ANY IMPLIED WARRANTIES SHALL BE LIMITED IN DURATION TO ONE YEAR FROM DATE OF PURCHASE. SOME STATES IN THE U.S., SOME CANADIAN PROVINCES DO NOT ALLOW LIMITATIONS ON HOW LONG AN IMPLIED WARRANTY LASTS, SO THE ABOVE LIMITATION MAY NOT APPLY TO YOU.

IN NO EVENT SHALL SELLER BE LIABLE FOR ANY INCIDENTAL OR CONSEQUENTIAL DAMAGES (INCLUDING BUT NOT LIMITED TO LIABILITY FOR LOSS OF PROFITS) ARISING FROM THE SALE OR USE OF THIS PRODUCT. SOME STATES IN THE U.S. AND SOME CANADIAN PROVINCES DO NOT ALLOW THE EXCLUSION OR LIMITATION OF INCIDENTAL OR CONSEQUENTIAL DAMAGES, SO THE ABOVE LIMITATION OR EXCLUSION MAY NOT APPLY TO YOU.

THIS LIMITED WARRANTY GIVES YOU SPECIFIC LEGAL RIGHTS, AND YOU MAY ALSO HAVE OTHER RIGHTS WHICH VARY FROM STATE TO STATE IN THE U.S., PROVINCE TO PROVINCE IN CANADA AND FROM COUNTRY TO COUNTRY.

THIS LIMITED WARRANTY APPLIES ONLY TO PORTABLE AND BENCHTOP ELECTRIC TOOLS SOLD WITHIN THE UNITED STATES OF AMERICA, CANADA AND THE COMMONWEALTH OF PUERTO RICO. FOR WARRANTY COVERAGE WITHIN OTHER COUNTRIES, CONTACT YOUR LOCAL BOSCH DEALER OR IMPORTER.

GARANTIE LIMITÉE DES OUTILS ÉLECTRIQUES PORTATIFS ET D'ÉTABLI BOSCH

S-B Power Tool Company (le « vendeur ») garantit à l'acheteur initial seulement que tous les outils électriques portatifs et d'établi BOSCH seront exempts de vices de matériaux ou d'exécution pendant une période d'un an depuis la date d'achat. LA SEULE OBLIGATION DU VENDEUR ET LE SEUL RECOURS DE L'ACHETEUR sous la présente garantie limitée, et en autant que la loi le permette sous toute garantie ou condition implicite qui en découlerait, sera l'obligation de remplacer ou réparer gratuitement les pièces défectueuses matériellement ou comme fabrication, pourvu que lesdites défectosités ne soient pas attribuables à un usage abusif ou à quelque réparation bricolée par quelqu'un d'autre que le vendeur ou le personnel d'une station-service agréée. Pour présenter une réclamation en vertu de cette garantie limitée, vous devez renvoyer l'outil électrique portatif ou d'établi complet, port payé, à tout centre de service agréé ou centre de service usine. Veuillez consulter votre annuaire téléphonique pour les adresses.

LA PRÉSENTE GARANTIE NE S'APPLIQUE PAS AUX ACCESSOIRES TELS QUE LAMES DE SCIES CIRCULAIRES, MÊCHES DE PERCEUSES, FERS DE TOUPIES, LAMES DE SCIES SAUTEUSES, COURROIES DE PONÇAGE, MEULES ET AUTRES ARTICLES DU GENRE.

TOUTE GARANTIE IMPLICITE SERA LIMITÉE COMME DURÉE À UN AN À COMPTER DE LA DATE D'ACHAT. CERTAINS ÉTATS AMÉRICAINS, CERTAINES PROVINCES CANADIENNES N'ADMETTANT PAS LE PRINCIPE DE LA LIMITATION DE LA DURÉE DES GARANTIES IMPLICITES, IL EST POSSIBLE QUE LES LIMITATIONS CI-DESSUS NE S'APPLIQUENT PAS À VOTRE CAS.

EN AUCUN CAS LE VENDEUR NE SAURAIT ÊTRE TENU POUR RESPONSABLE DES INCIDENTS OU DOMMAGES INDIRECTS (INCLUANT, MAIS NE SE LIMITANT PAS AUX PERTES DE PROFITS) CONSÉQUENTS À LA VENTE OU L'USAGE DE CE PRODUIT. CERTAINS ÉTATS AMÉRICAINS ET CERTAINES PROVINCES CANADIENNES N'ADMETTANT PAS LE PRINCIPE DE LA LIMITATION NI L'EXCLUSION DES DOMMAGES INDIRECTS ET CONSÉQUENTIELS, IL EST POSSIBLE QUE LES LIMITATIONS OU EXCLUSIONS CI-DESSUS NE S'APPLIQUENT PAS À VOTRE CAS.

LA PRÉSENTE GARANTIE VOUS ACCORDE DES DROITS BIEN DÉTERMINÉS, Y COMPRIS POSSIBLEMENT CERTAINS DROITS VARIABLES DANS LES DIFFÉRENTS ÉTATS AMÉRICAINS, PROVINCES CANADIENNES.

CETTE GARANTIE LIMITÉE NE S'APPLIQUE QU'ÀUX OUTILS ÉLECTRIQUES PORTATIFS ET D'ÉTABLI VENDUS AUX ÉTATS-UNIS D'AMÉRIQUE, AU CANADA ET AU COMMONWEALTH DE PORTO RICO. POUR COUVERTURE DE GARANTIE DANS LES AUTRES PAYS, CONTACTEZ VOTRE IMPORTATEUR OU REVENDEUR BOSCH LOCAL.

GARANTIA LIMITADA PARA HERRAMIENTAS MECANICAS PORTATILES Y PARA TABLERO DE BANCO BOSCH

S-B Power Tool Company ("el Vendedor") garantiza, únicamente al comprador original, que todas las herramientas mecánicas portátiles y para tablero de banco BOSCH estarán libres de defectos de material o de fabricación durante un período de un año a partir de la fecha de compra. LA ÚNICA OBLIGACIÓN DEL VENDEDOR Y EL RECURSO EXCLUSIVO QUE USTED TIENE bajo esta Garantía Limitada y, hasta donde la ley lo permita, bajo cualquier garantía o condición implícita por ley, consistirá en la reparación o sustitución sin costo de las piezas que presenten defectos de material o de fabricación y que no hayan sido utilizadas incorrectamente, manejadas descuidadamente o reparadas incorrectamente por personas que no sean el Vendedor o una Estación de servicio autorizada. Para efectuar una reclamación bajo esta Garantía Limitada, usted debe devolver el producto, que consiste en la herramienta mecánica portátil o para tablero de banco completa, con el transporte pagado, a cualquier Centro de servicio de fábrica o Estación de servicio autorizada. Para Estaciones de servicio autorizadas de herramientas mecánicas BOSCH, por favor, consulte el directorio telefónico.

ESTA GARANTIA LIMITADA NO SE APLICA A ARTICULOS ACCESORIOS TALES COMO HOJAS PARA SIERRAS CIRCULARES, BROCAS PARA TALADROS, BROCAS PARA FRESADORAS, HOJAS PARA SIERRAS DE VAIVEN, CORREAS PARA LIJAR, RUEDAS DE AMOLAR Y OTROS ARTICULOS RELACIONADOS.

TODAS LAS GARANTIAS IMPLICITAS TENDRAN UNA DURACION LIMITADA A UN AÑO A PARTIR DE LA FECHA DE COMPRA. ALGUNOS ESTADOS DE LOS EE.UU., ALGUNAS PROVINCIAS CANADIENSES NO PERMITEN LIMITACIONES EN CUANTO A LA DURACION DE UNA GARANTIA IMPLICITA, POR LO QUE ES POSIBLE QUE LA LIMITACION ANTERIOR NO SEA APLICABLE EN EL CASO DE USTED.

EL VENDEDOR NO SERA RESPONSABLE EN NINGUN CASO DE NINGUN DAÑO INCIDENTAL O EMERGENTE (INCLUYENDO PERO NO LIMITADO A RESPONSABILIDAD POR PERDIDA DE BENEFICIOS) QUE SE PRODUZCA COMO CONSECUENCIA DE LA VENTA O UTILIZACION DE ESTE PRODUCTO. ALGUNOS ESTADOS DE LOS EE.UU. Y ALGUNAS PROVINCIAS CANADIENSES NO PERMITEN LA EXCLUSION O LIMITACION DE LOS DAÑOS INCIDENTALES O EMERGENTES, POR LO QUE ES POSIBLE QUE LA LIMITACION O EXCLUSION ANTERIOR NO SEA APLICABLE EN EL CASO DE USTED.

ESTA GARANTIA LIMITADA LE CONFIERE A USTED DERECHOS LEGALES ESPECIFICOS Y ES POSIBLE QUE USTED TAMBIEN TENGA OTROS DERECHOS QUE VARIAN DE ESTADO A ESTADO EN LOS EE.UU., DE PROVINCIA A PROVINCIA EN CANADA.

ESTA GARANTIA LIMITADA SE APLICA SOLAMENTE A HERRAMIENTAS ELECTRICAS PORTATILES Y PARA TABLERO DE BANCO VENDIDAS EN LOS ESTADOS UNIDOS DE AMERICA, CANADA Y EL ESTADO LIBRE ASOCIADO DE PUERTO RICO. PARA COBERTURA DE GARANTIA EN OTROS PAISES, PONGASE EN CONTACTO CON SU DISTRIBUIDOR O IMPORTADOR LOCAL DE BOSCH.

© S-B POWER TOOL COMPANY 4300 W. PETERSON AVENUE CHICAGO, IL 60646 USA

EXPORTADO POR: S.B. POWER TOOL COMPANY, CHICAGO, IL 60646, E.U.A.

IMPORTADO POR: ROBERT BOSCH S.A. DE C.V., CALLE ROBERT BOSCH NO. 405, ZONA INDUSTRIAL TOLUCA, MÉXICO. C.P. 50070 TEL. (72) 792300

Free Manuals Download Website

<http://myh66.com>

<http://usermanuals.us>

<http://www.somanuals.com>

<http://www.4manuals.cc>

<http://www.manual-lib.com>

<http://www.404manual.com>

<http://www.luxmanual.com>

<http://aubethermostatmanual.com>

Golf course search by state

<http://golfingnear.com>

Email search by domain

<http://emailbydomain.com>

Auto manuals search

<http://auto.somanuals.com>

TV manuals search

<http://tv.somanuals.com>