



Bose® MediaMate® Computer Speakers

Owner's Guide

October 29, 2001

AM177243_03_V.pdf

Safety Information

WARNING

To reduce the risk of fire or electrical shock, do not expose this system to rain or moisture.

This CAUTION mark appears on your speakers.



The exclamation point, within an equilateral triangle, alerts the user to the presence of important operating and maintenance instructions in this owner's guide.

To reduce the risk of shock, do not open. There are no user-serviceable parts inside. Refer servicing to qualified service personnel.

Additional safety information

See the additional instructions on the *Important Safety Information* page enclosed with this owner's guide.

CAUTION:

To prevent electric shock, match wide blade of power pack to wide slot, insert fully.

Where to find...

Getting Started

- Before you begin 4
- Unpack the speakers 5

Setting Up

- Where to put your MediaMate® speakers 6
- Connect the speakers 7
- How to connect to the sound source 7
- How to connect the power pack 8

Using Your MediaMate Speakers

- How to use the volume control 8
- How to use the mix control 9
- When to use the headphone jack 9

Maintaining Your MediaMate Speakers

- How to clean the speakers 10
- Troubleshooting 10

Product Information

- Warranty period 11
- Technical information 11
- Bose® Corporation inside back cover

For your records

Serial numbers are located on the back of the MediaMate speakers.

Serial numbers: _____ and _____

Dealer name: _____

Dealer phone: _____ Purchase date: _____

We suggest you keep your sales receipt and warranty card together with this owner's guide.

Getting Started

Before you begin...

Thank you for choosing Bose® MediaMate® computer speakers. They are designed to provide high-fidelity sound for your computer and CD-ROM. Unique features and Bose technologies make these speakers a superior choice for home or office workspaces.

Magnetic shielding protects your monitor from interference, even with the speakers placed directly against your computer. Bose patented signal processing technology ensures full, rich sound at low volumes and when using headphones. A spaciousness enhancer actually improves the sound from mono sources. And you can control the blend of sound easily, using the volume control and source mixer located on the front of one speaker.

Please take the time to read this owner's guide. It will help you set up and use your new computer speakers properly, for the greatest enjoyment.

Unpack the speakers

Carefully unpack the carton. Save all packing materials for possible future use.

Inspect the speakers. If any part appears damaged, do not use them. Repack all parts in the original carton and call your authorized Bose® dealer immediately.

Note: Now is a good time to record the speakers' serial numbers at the beginning of this guide and on your warranty card.

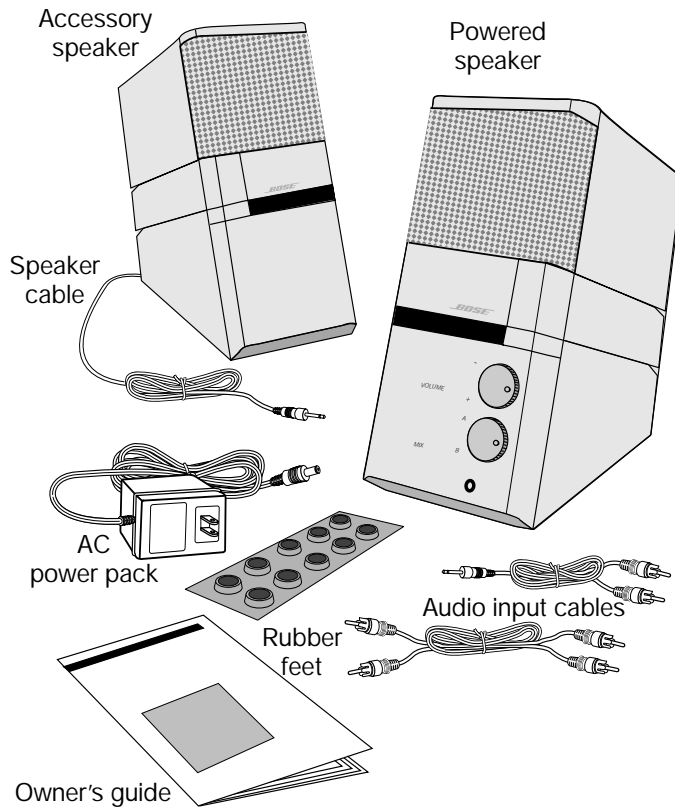


Figure 1

What comes in the carton:

- Powered speaker
- Accessory speaker
- Speaker cable (attached to the accessory speaker)
- Audio input cable with RCA plugs
- Audio input cable with stereo mini plug
- Detachable AC power pack
- 10 rubber feet
- Owner's guide

Setting Up

Where to put your MediaMate® speakers

Bose® designed these speakers to sit on your desk, where their angled shape directs sound toward the listener. Before placing them there, attach four of the supplied rubber feet to the recesses on the bottom of each speaker, for protection and added stability (see Figure 2).

Set the powered speaker on the right and the accessory speaker on the left as you face the monitor (see Figure 3). Or set them in the reverse position, if you prefer having the powered speaker controls closer to your left hand.

For best performance, be sure that both speakers are the same distance from where you sit when listening to them.

Figure 2

Bottom of speaker with recesses for rubber feet

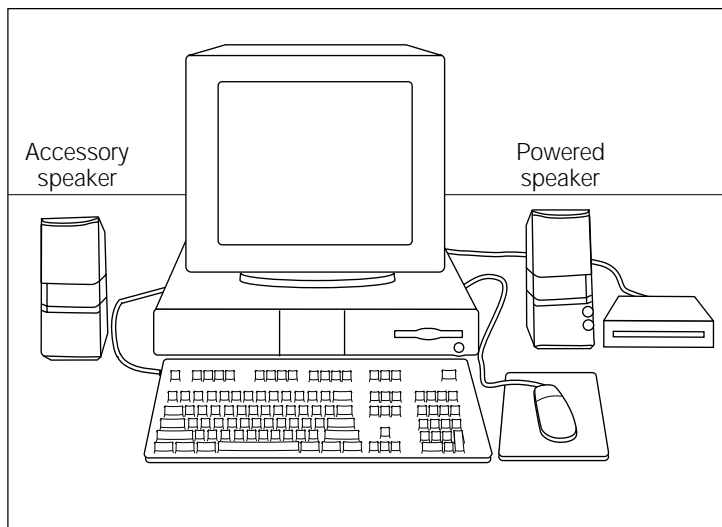
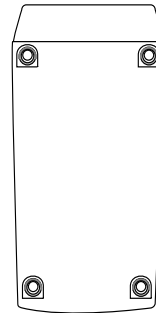


Figure 3

Where to place MediaMate speakers

Connect the speakers

The speaker cable is already attached at one end to the accessory speaker. Plug the other end into the TO ACCESSORY SPEAKER jack on the powered speaker (see Figure 4 on page 8).

Note: If the speaker cable is disconnected while the system is playing, only the powered speaker will continue to play. As a protective feature, neither speaker will play when you reconnect that cable. To restore sound to both speakers, disconnect and reconnect the power pack.

How to connect to the sound source

You can connect up to two sound sources to MediaMate® speakers – your computer and an external CD-ROM, for example. While some CD-ROMs operate through the computer's sound card, others have a direct audio output jack. Before making any connections, consult the owner's manuals for the equipment you will be using, to familiarize yourself with how it connects.

Use AUDIO INPUTS A for your computer or computer and CD-ROM combination. Use AUDIO INPUTS B for an external CD-ROM with an audio output jack, or for other components.

The sound source connected to B will play through your speakers simultaneously with the sound from your computer. Use the source mixer on the front of the powered speaker to adjust the balance of sound coming from the two sources.

Two audio input cables are supplied with the speakers. If your computer has a stereo mini jack, use the cable with a stereo mini plug. Otherwise, use the cable with RCA plugs on both ends.

Match the colors on the connectors to the colors on the jacks, red to red and white to white.

Setting Up/Using Your MediaMate® Speakers

1. Connect one end of the audio input cable to AUDIO INPUTS A.
2. Connect the other end to your computer's AUDIO OUTPUT jack. We recommend using LINE OUT if your computer sound card offers more than one option.
3. To connect a separate CD-ROM, or another source, repeat steps 1 and 2 using AUDIO INPUTS B.

How to connect the power pack

You must connect the AC power pack to operate the speakers.

1. Plug its cable end into the power jack on the powered speaker.
2. Plug the power pack blades into the wall outlet.
3. Turn on your computer sound source or external sound source.

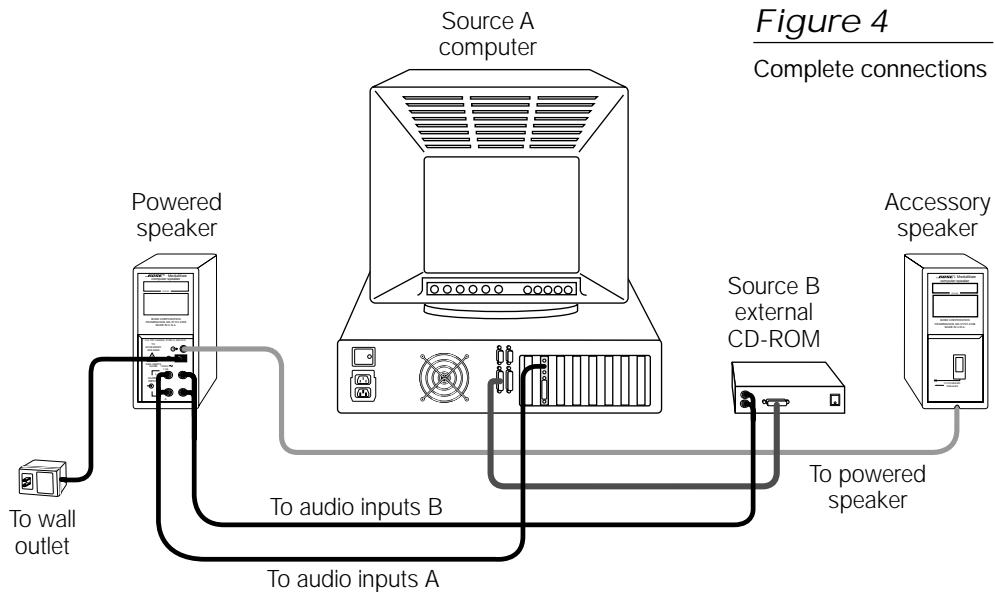


Figure 4

Complete connections

How to use the volume control

Your computer hardware may have an external volume control. In addition, the computer's operating software and some other software you use may provide on-screen controls for the volume.

Decide which controls you prefer to use to adjust the volume while you listen. Then follow the proper instructions on page 9 for setting the controls you will not use.

To use the speaker control for volume adjustments

Set the volume control on your sound source or your on-screen controls at two-thirds maximum. Then use the control on the powered speaker to adjust the volume. Turn the knob right to raise and left to lower the volume (see Figure 5).

The output of sound sources and sound cards varies, so you should experiment to find the best setting for your source.

To use your sound source control for volume adjustments

Set the volume control on the powered speaker to maximum. Then use the volume control on your sound source or your on-screen controls to make adjustments.

How to use the mix control

The source mixer adjusts the balance of sound coming from each source, without increasing or decreasing total speaker volume. Source A is your computer or computer and CD-ROM combination. Source B is whatever source you connected to AUDIO INPUTS B.

- For equal amounts of sound from both sources, set the knob halfway between Source A and Source B.
- For more sound from your computer (than from Source B), or to silence Source B, turn the knob to the left.
- For more sound from Source B (than from your computer), or to silence your computer, turn the knob to the right.

When to use the headphone jack

To listen in private, plug the headphones into the headphone jack. This mutes the sound coming from the speakers. Use the volume control to adjust the headphone volume.

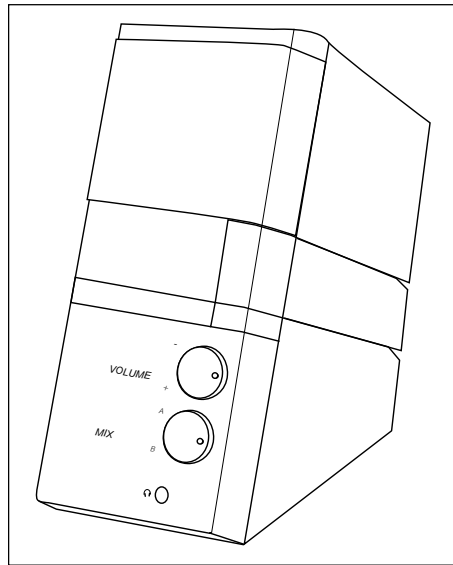


Figure 5

Volume and balance controls

Maintaining Your MediaMate® Speakers

How to clean the speakers

Wipe the speakers using a soft cloth dampened with a mild detergent such as dish soap. Do not use solvents, chemicals, or sprays. You can also lightly vacuum the grilles, if you prefer.

Do not allow liquids to spill or objects to drop into any openings.

Troubleshooting

If you have a problem with your MediaMate speakers, turn off your sound source and try the solutions below. If they don't solve your problem, disconnect the speakers and contact your local Bose® dealer to arrange for service. Or, to contact Bose directly, refer to the listings on the inside back cover. Bose Corporation will make every effort to remedy any problem within terms of your limited warranty.

<i>Problem</i>	<i>Cause</i>	<i>Solutions</i>
The speakers don't play	Connections	Make sure you made all connections. See instructions on pages 7 and 8. Check the speaker cable. It should be completely plugged into both the accessory and powered speakers. Also read the note on page 7.
	Power supply	Check the detachable power pack. It should be completely plugged into the powered speaker and the wall outlet.
	Sound source	Make sure the sound source is plugged in. Turn it on. Be sure the source mixer is set for sound source.
	Volume Headphones plugged in	Be sure the volume isn't set too low. Make sure headphones are not plugged into the headphone jack.
Only one speaker plays	Monophonic sound source	See the illustration on page 8 for proper speaker cable connection. Also make sure the cable is plugged in completely. Check your sound source. If it is mono (only one channel), you need to use a mono-to-stereo adapter to get sound from both speakers. Call Bose service.
The sound is distorted	Volume	Decrease the volume on your sound source and increase the volume on the speakers.

Warranty period

Bose® MediaMate® computer speakers are covered by a limited 1-year transferable warranty.

Details of the coverage are provided on the warranty card that came with your speakers. Please fill out the card and address it, detach, and mail to Bose.

Technical information

Features

Bose patented signal processing technology

Built-in amplification

Ported enclosure

Spaciousness enhancer

Driver complement

One magnetically shielded 2.5" (6.4 cm) full-range driver per enclosure

Power pack rating

USA/Canada: 120 VAC~ 60 Hz 20 VA

Europe: 230 VAC~ 50 Hz 20 VA

Australia: 240 VAC~ 50 Hz 20 VA

Japan: 100 VAC~ 50/60 Hz 20 VA

Speaker inputs

Input power: 12 VAC~ 1.2 A

Input signal: 3 V maximum input

Finish

Computer gray, thermo-plastic alloy

Dimensions

7³/₈"H x 3¹/₄"W x 8³/₈"D (top rear to bottom front)
(18.8 x 8.2 x 21.3 cm)

Weight

Per speaker, unpacked: 2.12 lb (.96 kg)

Per pair, packed for shipping: 6.75 lb (3 kg)







USA

Bose Corporation, The Mountain
Framingham, MA 01701-9168
1-800-367-4008
Phone hours - ET (eastern time):
Weekdays 9 a.m. to 8 p.m.
Saturdays 9 a.m. to 3 p.m.

Canada

Bose Ltd., 1-35 East Beaver Creek Road
Richmond Hill, Ontario L4B 1B3
1-800-444-BOSE (1-800-444-2673)
Phone hours - ET (eastern time):
Weekdays 9 a.m. to 5 p.m.

European Office

Bose B.V., Nijverheidstraat 8
1135 GE Edam, Nederland
TEL 0299-390190 FAX 0299-390109

Australia

Bose Australia, Inc., 1 Sorrell Street,
Parramatta, N.S.W. 2150
TEL 02 204-6111 FAX 02 204-6122

Belgique/België

Bose N.V., Limesweg 2, B-3700 Tongeren
TEL 012-390800 FAX 012-390840

Danmark

Bose A/S, Industrivej 7, 2605 Brøndby
TEL 4343-7777 FAX 4343-7818

Deutschland

Bose GmbH, Max-Planck-Straße 36d
D-61381 Friedrichsdorf
TEL 06172-71040 FAX 06172-710419

France

Bose S.A., 6, rue Saint Vincent
78100 Saint Germain en Laye
TEL 01-30616363 FAX 01-30614105

India

Bose Corporation India Private Limited
W-16, Greater Kailash-II
New Delhi 110 048
TEL (011) 648 4462 FAX (011) 648 4463

Ireland

Bose Corporation
Carrickmacross, Co Monaghan
TEL 042-61988 FAX 042-61998

Italia

Bose S.p.A., Via Luigi Capucci, 12
00147 Roma
TEL 06-5127641 FAX 06-5115438

Japan

Bose K.K., Shibuya YT Building
28-3 Maruyama-cho
Shibuya-ku, Tokyo 150
TEL 3-5489-1054 FAX 3-5489-0591

Nederland

Bose B.V., Nijverheidstraat 8
1135 GE Edam
TEL 0299-390190 FAX 0299-390109

Norge

Bose A/S, Solheimsgate 11
N-2001, Lillestrøm
TEL 63-817380 FAX 63-810819

Österreich

Bose Ges.m.b.H., Vienna Business Park
Wienerbergstrasse 7 (10.OG)
A-1100 Vienna
TEL 01-60404340 FAX 01-604043423

Schweiz

Bose AG, Rünenbergerstrasse 13
4460-Gelterkinden
TEL 061-9815544 FAX 061-9815502

Sverige

Bose A/S, Blandsädsgratan 2D
S-43146 Mölndal
TEL 31-878850 FAX 31-274891

United Kingdom

Bose Limited, Unit G2
Trinity Trading Estate
Sittingbourne, Kent ME10 2PD
TEL 01795-475341 FAX 01795-427227

From other locations

Bose Customer Service, 1 New York Ave.
Framingham, MA 01701-9168 USA
TEL (508) 766-1900 FAX (508) 766-1919

World Wide Web

www.bose.com



BOSE[®]
Better sound through research[®]

©1997 Bose Corporation
The Mountain, Framingham, MA 01701-9168 USA
JN94953 PN177243 Rev.03 AM177243 Rev.03

Free Manuals Download Website

<http://myh66.com>

<http://usermanuals.us>

<http://www.somanuals.com>

<http://www.4manuals.cc>

<http://www.manual-lib.com>

<http://www.404manual.com>

<http://www.luxmanual.com>

<http://aubethermostatmanual.com>

Golf course search by state

<http://golfingnear.com>

Email search by domain

<http://emailbydomain.com>

Auto manuals search

<http://auto.somanuals.com>

TV manuals search

<http://tv.somanuals.com>