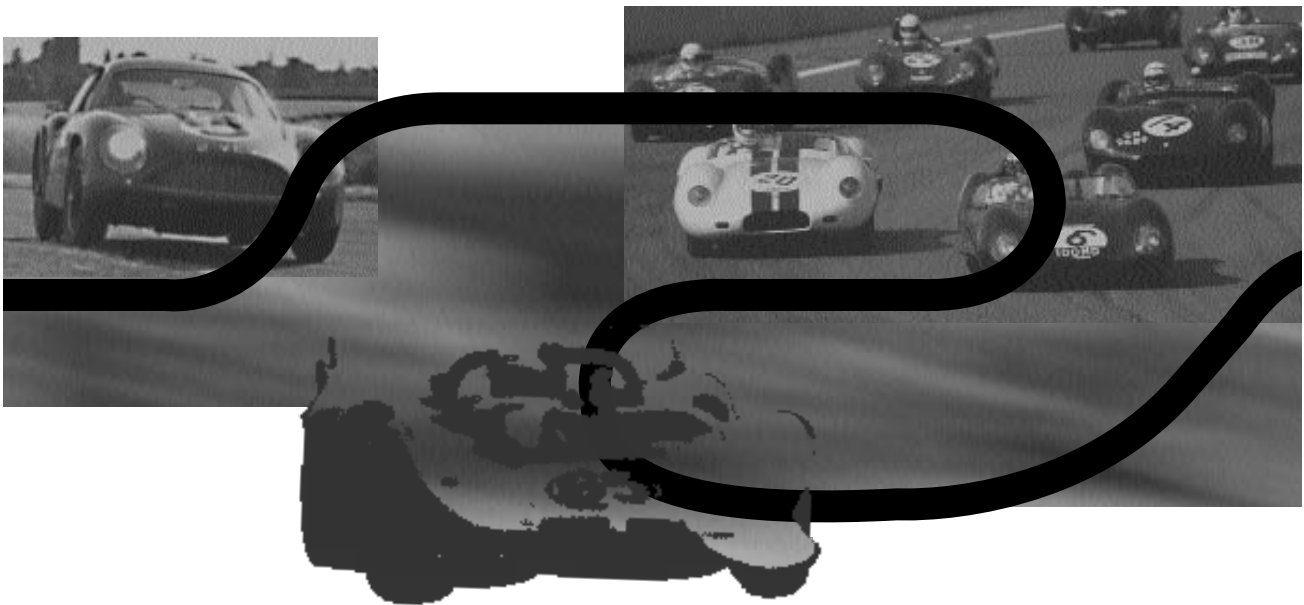


RM6/RM9

Boston Rally™
Speaker Systems
Installation Manual



Boston
BostonAcoustics.com

Specifications

	Boston Rally RM6 System	Boston Rally RM9 System
Maximum Music Power	200 watts	220 watts
Peak Input Power	100 watts	110 watts
Continuous Music Power	50 watts	55 watts
Sensitivity (1 watt/.5m)	95 dB	95 dB
Nominal Impedance	4Ω	4Ω
Frequency Response	50–20,000Hz	35–20,000Hz
Mounting Hole Cutout	5"	6" x 8 1/16" (ellipse)
Mounting Depth	2 1/2" 64mm	3" 76mm
Mounting Depth w/Spacer	2" 51mm	3 1/2" 89mm

Table of Contents

Specifications	2
Table of Contents	3
Notice	3
Tools Required	4
Before You Begin	4
Planning the Installation	5
Speaker Wiring	6
Routing the Wires	6
Installing Speakers In Factory Cutouts	7
Installation Options	8
Installing Speakers In Nonstandard Locations-RM6	10
Installing Speakers In Nonstandard Locations-RM9	13
Warranty	16

Notice

Installation of automotive stereo systems requires experience with a variety of mechanical and electrical procedures. This manual explains the installation flexibility of the Boston Rally Series speaker systems, not the exact installation methods to be used in any given case.

If you do not have the experience that these procedures require, we strongly suggest you consult your Boston Acoustics dealer about professional installation.

Tools Required

These are the tools required to complete the basic installation of the Boston Rally Series speakers. Additional tools are necessary for more custom work.

1. Electric drill with $\frac{1}{8}$ " (3mm) and $\frac{1}{4}$ " (6mm) bits
2. Phillips screwdriver
3. Saber saw, hole saw or nibbler
4. Utility knife
5. Silicon sealant or weather stripping (optional)
6. Pliers or 7mm wrench (RM9 only)

Before You Begin

Familiarize yourself with the location of fuel lines, hydraulic brake lines and electrical wiring. Use extreme caution when cutting or drilling around these parts.

Shut off all stereo and other electrical devices before you start.

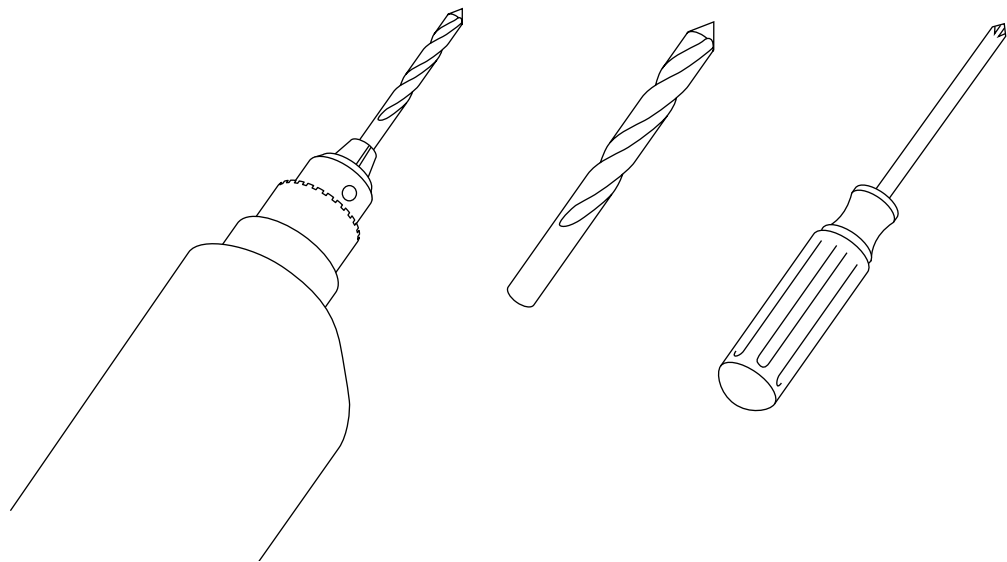
Protect the speakers by keeping them in their plastic bags until final installation. Speakers attract metal chips and filings. Always rest the speakers with their cones and tweeters facing up.

Never use force when installing any speaker.

Check clearances on both sides of a mounting surface before drilling any holes or installing any screws. Some screws require over an inch of clearance behind the mounting surface.

Use a utility knife to cut fabric away from hole locations before you drill or cut. Fabric is easily snagged by drill bits and hole saws.

Always wear protective eyewear when cutting and drilling holes or when using power tools.



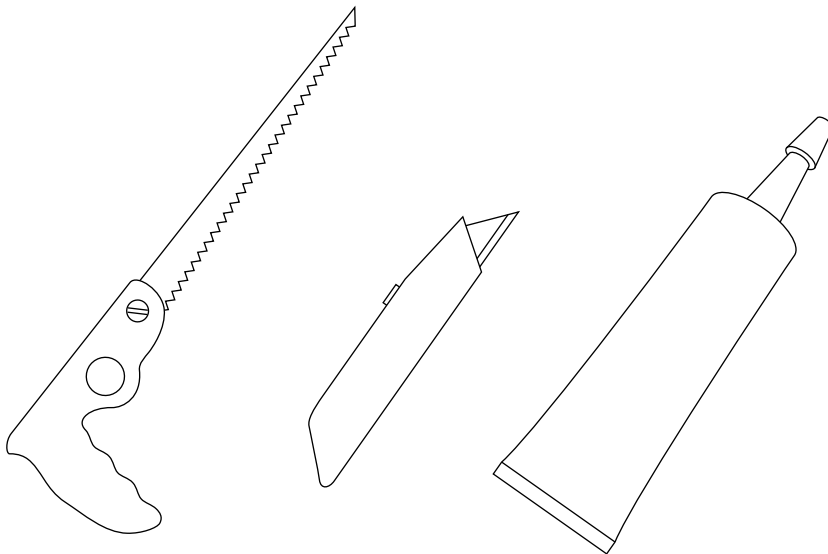
Planning the Installation

Read all instructions carefully before you attempt any installation procedures. Make sure all operations are clear to you.

Make sure you have adequate time and shelter to complete the installation. Many installations require multiple days to complete.

Examine the Boston Rally Series speakers and hardware so that you are familiar with them before you start the installation.

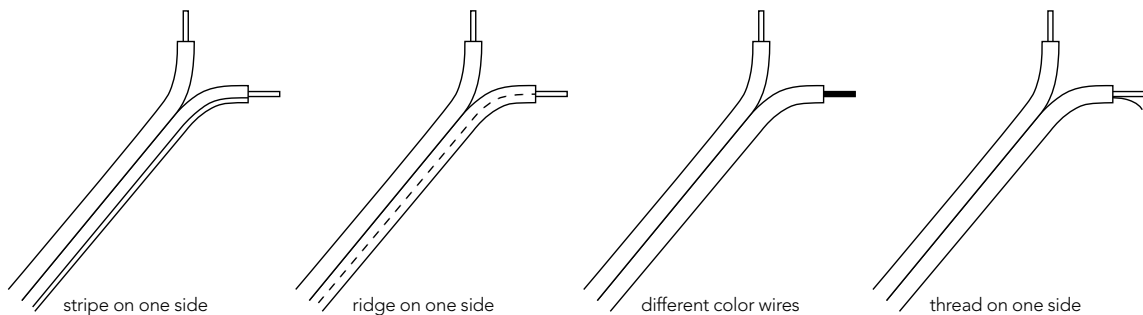
1. Decide on speaker placement.
2. Run the speaker wires.
3. Install the speakers and complete the wiring.



Speaker Wiring

For your convenience, two sets of two-conductor wire are provided to use between the speakers and the amplifier or head-unit. Other wire may be substituted if desired as long as it is at least 18 gauge. Sometimes the stock speaker wires in the vehicle may be used.

Two-conductor speaker wire connects the positive and negative terminals of each speaker to the corresponding positive and negative terminals on the amp or head-unit. One side of the wire will be marked in some way. Use the marked conductor to connect the positive terminals and the plain conductor to connect the negative terminals.



Routing the Wires

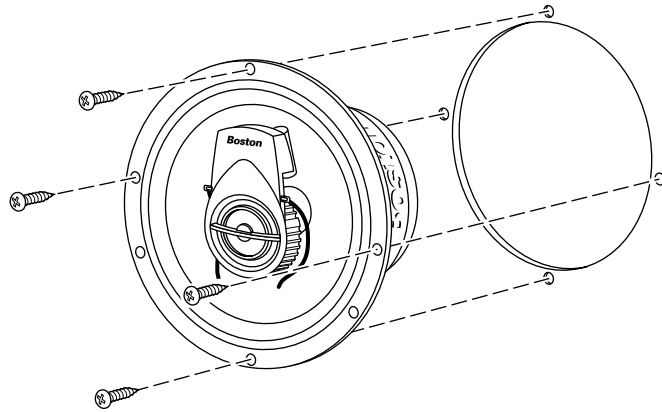
Include a large safety margin when estimating the length of each wire.

For Doors: Run the wires through factory harnesses or existing holes, if possible. If drilling new holes, file the edges and install rubber grommets and PVC tubing to protect the wires against abrasion.

For Rear Deck: Run wires along the door sills just inside the car, lifting and replacing carpet as required. You may have to remove the rear seat to pass wires back to the rear.

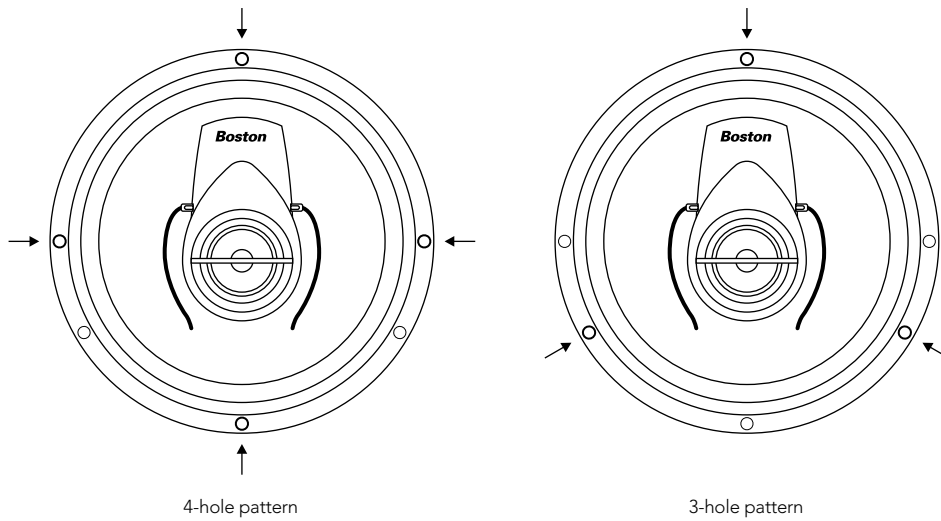
Installing Speakers In Factory Cutouts

1. Make sure the mounting surface provides a complete air seal between the front and the back of the speaker. If the surface is uneven, or if air can leak directly from the back of the speaker to the front, seal the air leaks with silicon sealant or weather stripping. Make sure that the sealing material does not touch any moving part of the speaker.
2. Attach the wires to the speaker.
3. Attach the assembly to the factory cutout using four of the supplied #8 sheet metal screws or other hardware. Tighten the screws just enough to seal the woofer against the mounting surface. Do not over-tighten the screws.



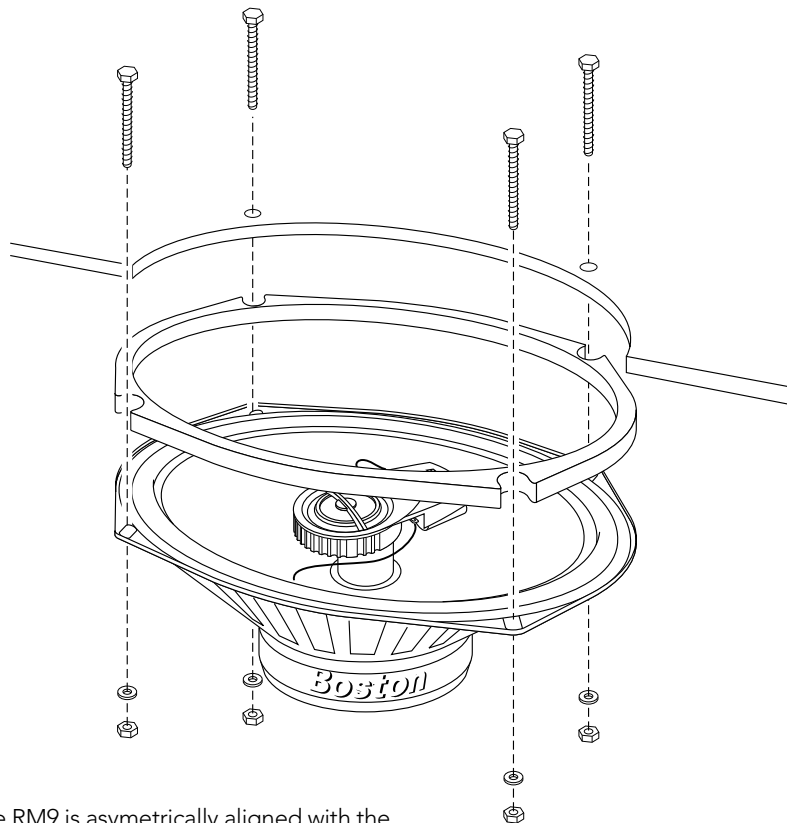
RM6 Installation Option

Most factory speaker locations for 6-inch speakers provide either three or four screw holes for mounting the speaker. The RM6 includes both sets of holes. Rotate the speaker until the correct holes line up.



RM9 Installation Option

The RM9 can also be installed from underneath the rear deck to reduce the installed height of the tweeter module. A spacer is supplied to protect the rubber surround and ensure a tight air seal. The spacer is installed between the speaker and the mounting surface as shown in the diagram.



The Kortec™ dome tweeter on the RM9 is asymmetrically aligned with the woofer cone to minimize diffraction of high-frequencies off of the cone. Although they are packaged in stereo, matched pairs, either speaker may be mounted on either side of the vehicle.

Installing Speakers In Nonstandard Locations –RM6

Notice

Check the clearance of both speaker locations. Your vehicle may not be symmetrical. (There may be multiple window controls on the driver's side, for example.)

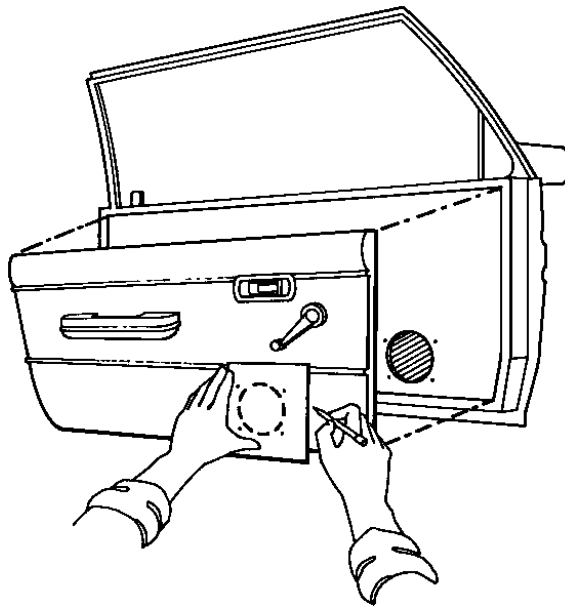
If installing in the doors, remove the interior panel. Avoid possible speaker contact with door frames, handles and window tracks. Check the window clearance by rolling the window up and down. Also check for clearance with the door open and closed. If installing in the trunk, check for clearance with the trunk lid opened and closed.

The Boston Rally Series speakers are heavy, and must be held in place by a strong, rigid structure.

Check for signs of excessive water leakage inside the door. If the door has a plastic moisture barrier, cut a flap to shield the speakers, or make a flap from heavy sheet plastic and attach it to the inside of the door above the speaker.

1. Trace the template onto the mounting panel. Mark the pilot hole, the edges of the large cutout and the locations of the screws.

2. Make sure that the mounting surface provides a complete air seal between the front and the back of the speaker. If the surface is uneven, or if air can leak directly from the back of the speaker to the front, seal the air leaks with silicon sealant or weather stripping. Make sure that the sealing material does not touch any moving part of the speaker.

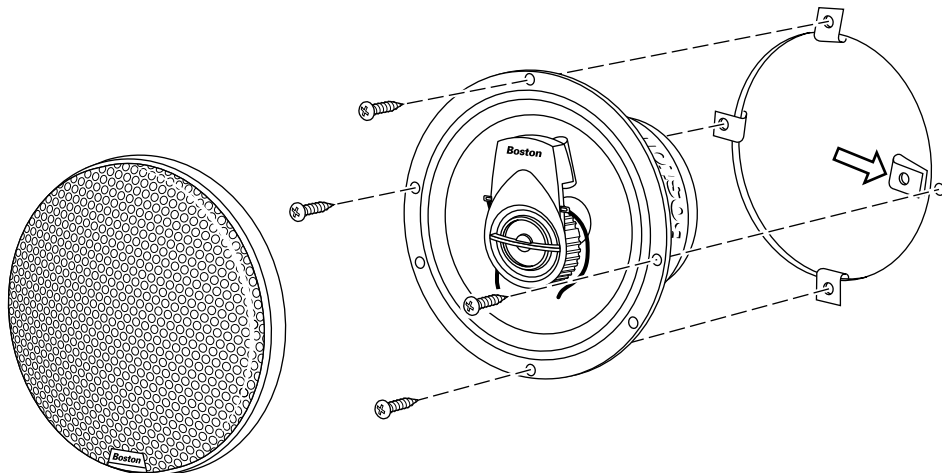


3. Drill the pilot hole at the center of the cutout, then drill four $\frac{1}{8}$ " holes for the speaker's mounting screws. Make the large circular cutout with a saber saw, hole saw or nibbler (depending on the material).

4. Slip "U"-clips over the screw holes. Position the flat side toward the speaker as shown in the diagram.

5. Attach the wires to the speaker.

6. Attach the assembly to the cutout as shown in the diagram. Use four of the supplied #8 x 1" sheet metal screws or other hardware. Tighten the screws just enough to seal the woofer against the mounting surface. Do not overtighten the screws.



7. Attach the grille. Snap the grille on to the speaker assembly from the front. Be sure to align the logo on the bottom of the grille before attaching the grille.

Optional Spacers

To reduce the mounting depth by $\frac{1}{2}$ ", optional spacers are available that can be mounted behind the RM6.

Installing Speakers In Nonstandard Locations –RM9

Notice

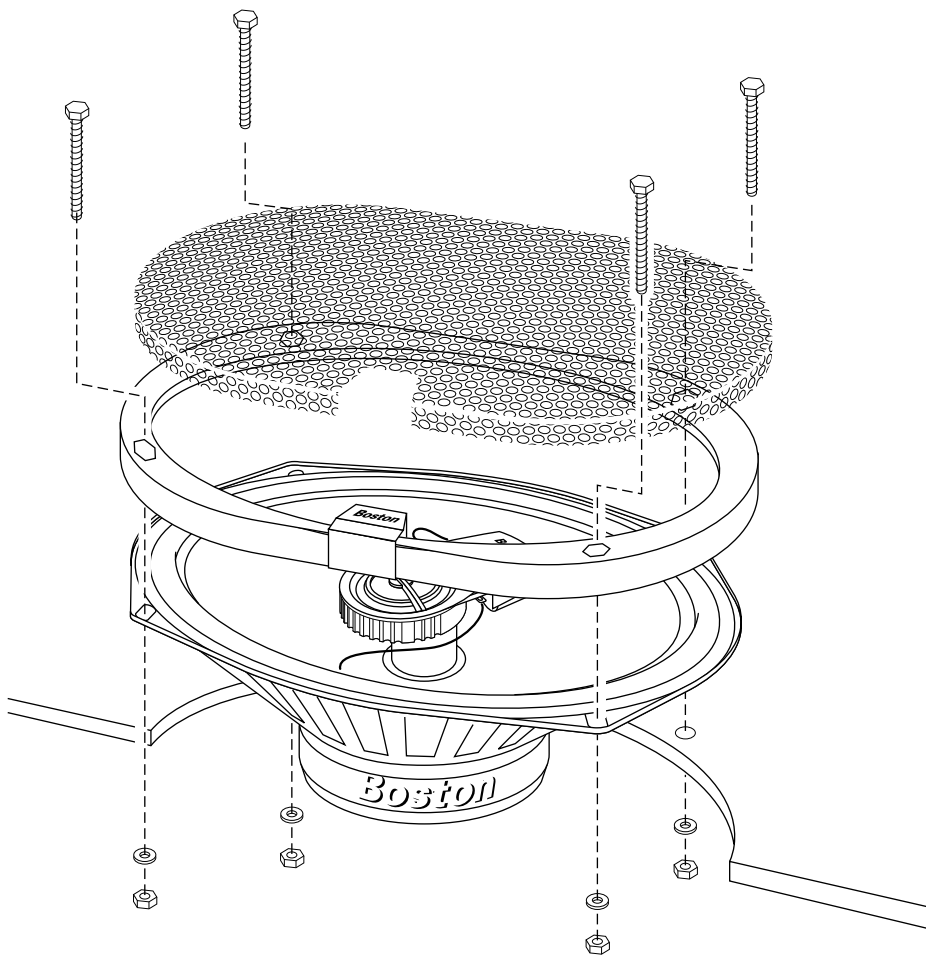
Check the clearance of both speaker locations. Your vehicle may not be symmetrical.

If installing in the trunk, check for clearance with the trunk lid opened and closed. If installing in the doors, remove the interior panel. Avoid possible speaker contact with door frames, handles and window tracks. Check the window clearance by rolling the window up and down. Also check for clearance with the door open and closed.

The Boston Rally Series speakers are heavy, and must be held in place by a strong, rigid structure.

- 1. Trace the template onto the mounting panel.** Mark the pilot hole, the edges of the large cutout and the locations of the screws.
- 2. Make sure that the mounting surface provides a complete air seal between the front and the back of the speaker.** If the surface is uneven, or if air can leak directly from the back of the speaker to the front, seal the air leaks with silicon sealant or weather stripping. Make sure that the sealing material does not touch any moving part of the speaker.
- 3. Drill four ¼" holes for the speaker's mounting screws.** Make the large elliptical cutout with a saber saw or nibbler (depending on the material).

4. Attach the assembly to the cutout as shown in the diagram. Use the supplied machine screws and nuts or other hardware. Tighten the nuts just enough to seal the woofer against the mounting surface. Do not overtighten the hardware.



5. Attach the wires to the speaker.

6. Attach the grille front. Snap the grille on to the grille frame from the front. Be sure to align the notch on the grille with the logo on the grille frame.

The Kortec™ dome tweeter on the RM9 is asymmetrically aligned with the woofer cone to minimize diffraction of high-frequencies off of the cone. Although they are packaged in stereo, matched pairs, either speaker may be mounted on either side of the vehicle.

Warranty

For one year from the date of purchase, Boston Acoustics will repair for the original owner any defect in materials or workmanship that occurs in normal use, without charge for parts or labor.

Your responsibilities are to use the speaker system according to the instructions supplied, to provide safe and secure transportation to the authorized Boston Acoustics service representative and to present proof of purchase in the form of your sales slip when requesting service.

Excluded from this warranty is damage that results from abuse, misuse, accidents, shipping, or repairs or modification by anyone other than an authorized service representative. This warranty is void if the serial number has been removed or defaced.

This warranty gives you specific legal rights, and you may also have other rights which vary from state to state.

If Service Seems Necessary

First, contact the retailer from whom you purchased this product. If that's not possible, write to:

Boston Acoustics, Inc.
Service Department
300 Jubilee Drive
Peabody, MA 01960

We will promptly advise you of what action to take. If it is necessary to return your speaker to the factory, ship it prepaid. After it is repaired, we will return it freight prepaid to the U.S. and Canada.

Boston

300 Jubilee Drive
Peabody, MA 01960
USA
508-538-5000

Boston and Boston Acoustics are registered trademarks, and Boston Rally and Kortec are trademarks of Boston Acoustics, Inc. ©1996

Covered by patents issued and/or pending.

42-652-0

Free Manuals Download Website

<http://myh66.com>

<http://usermanuals.us>

<http://www.somanuals.com>

<http://www.4manuals.cc>

<http://www.manual-lib.com>

<http://www.404manual.com>

<http://www.luxmanual.com>

<http://aubethermostatmanual.com>

Golf course search by state

<http://golfingnear.com>

Email search by domain

<http://emailbydomain.com>

Auto manuals search

<http://auto.somanuals.com>

TV manuals search

<http://tv.somanuals.com>