



Figure 1

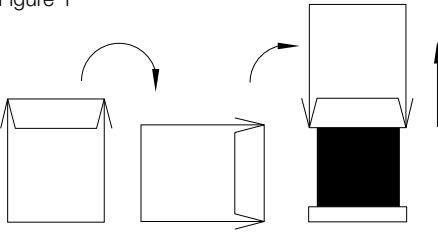


Figure 2

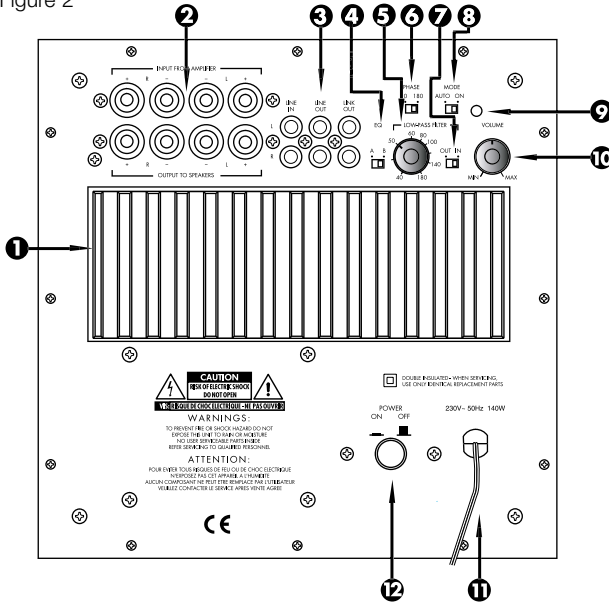


Figure 3

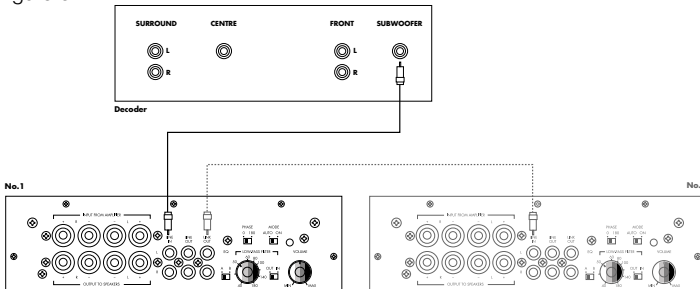


Figure 4

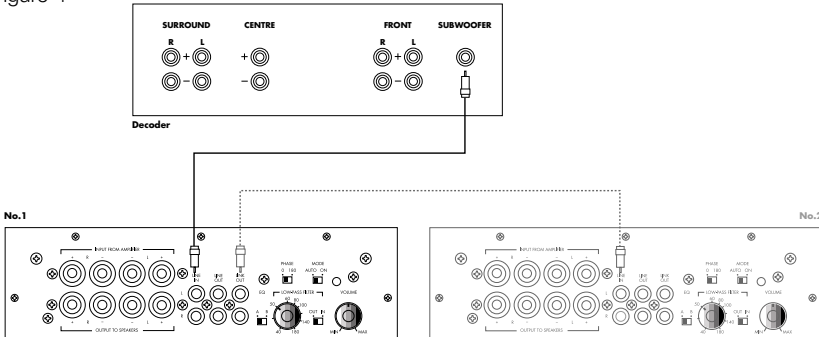


Figure 5

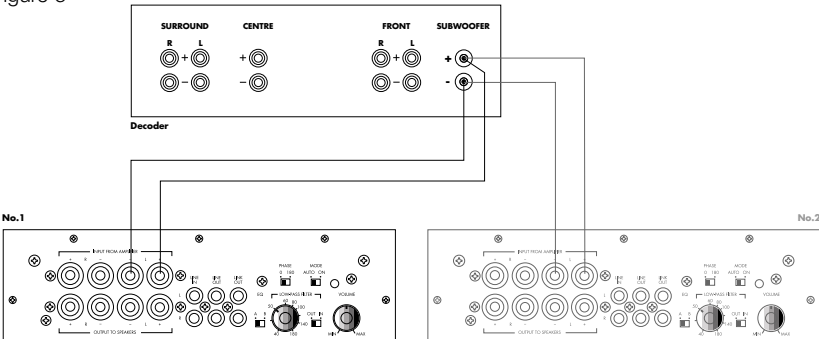


Figure 6

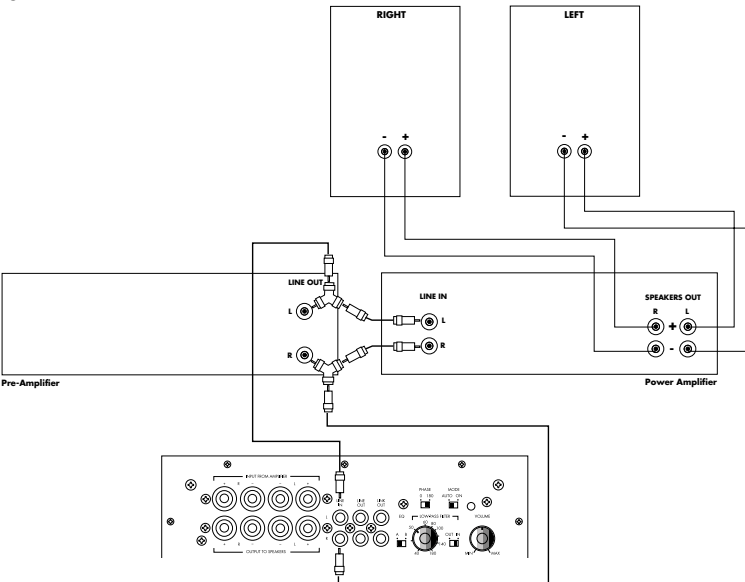


Figure 7

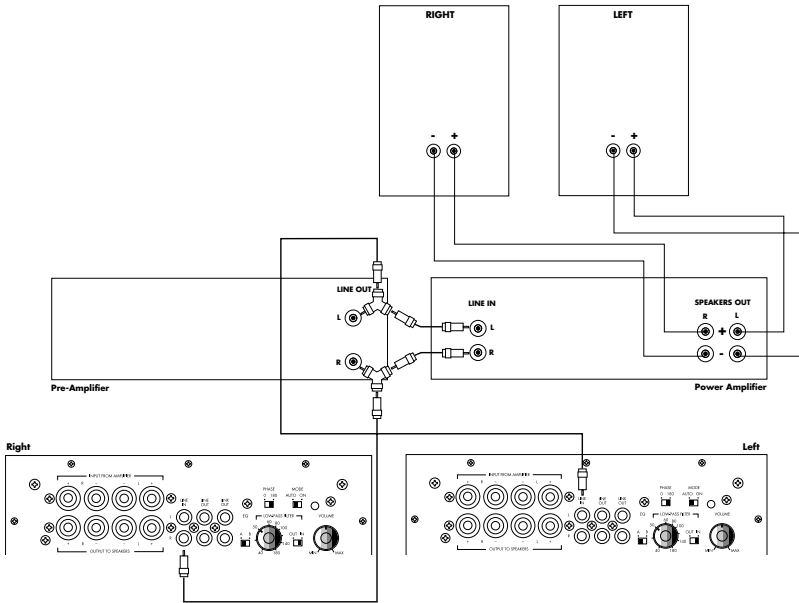


Figure 8

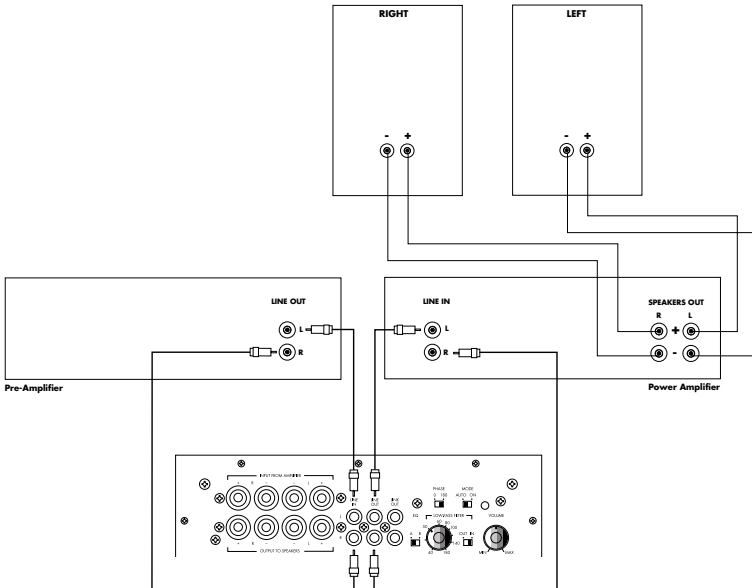


Figure 9

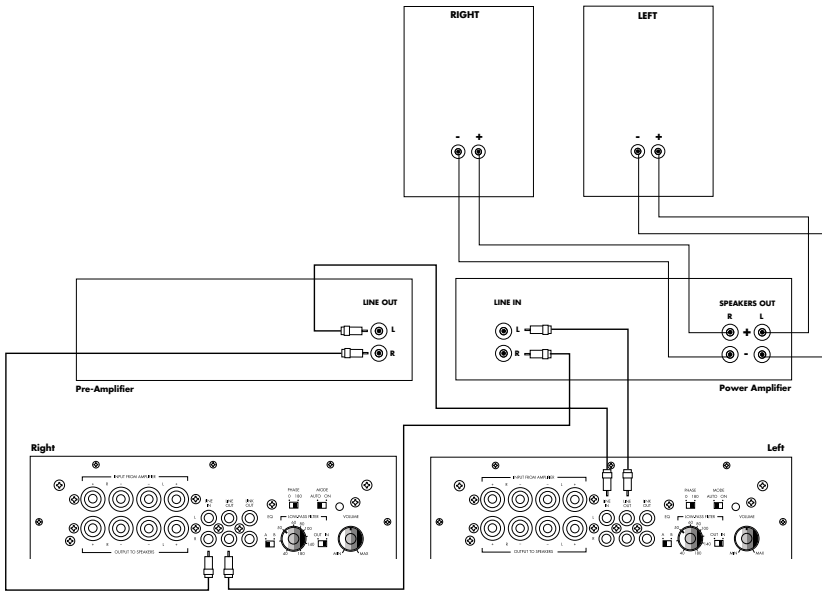


Figure 10

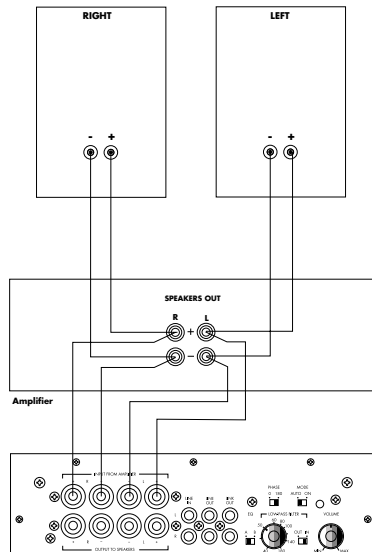


Figure 11

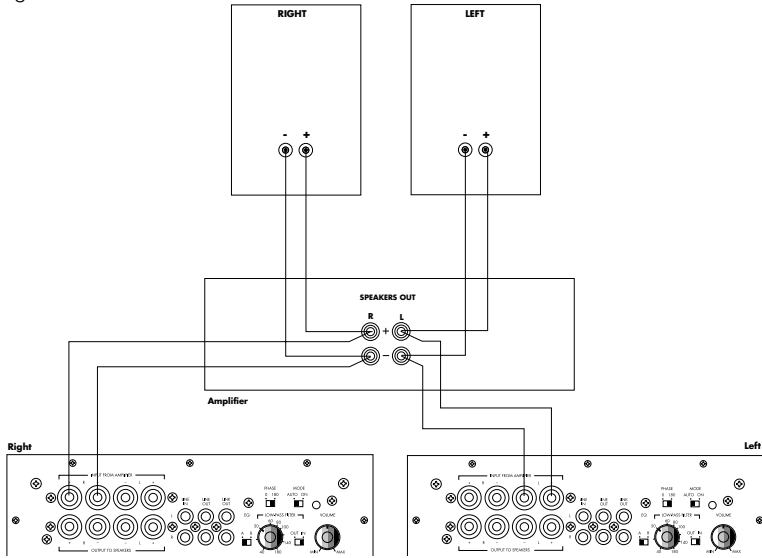


Figure 12

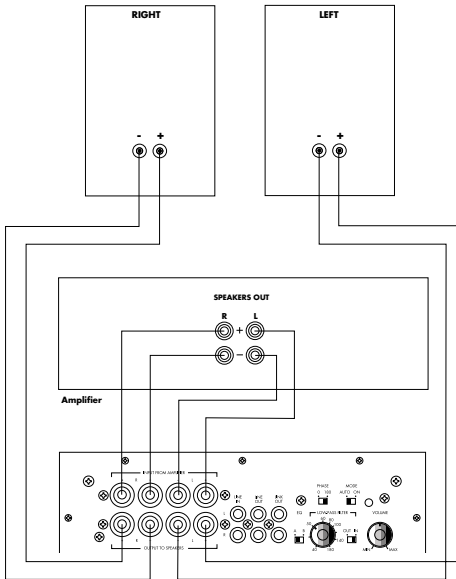
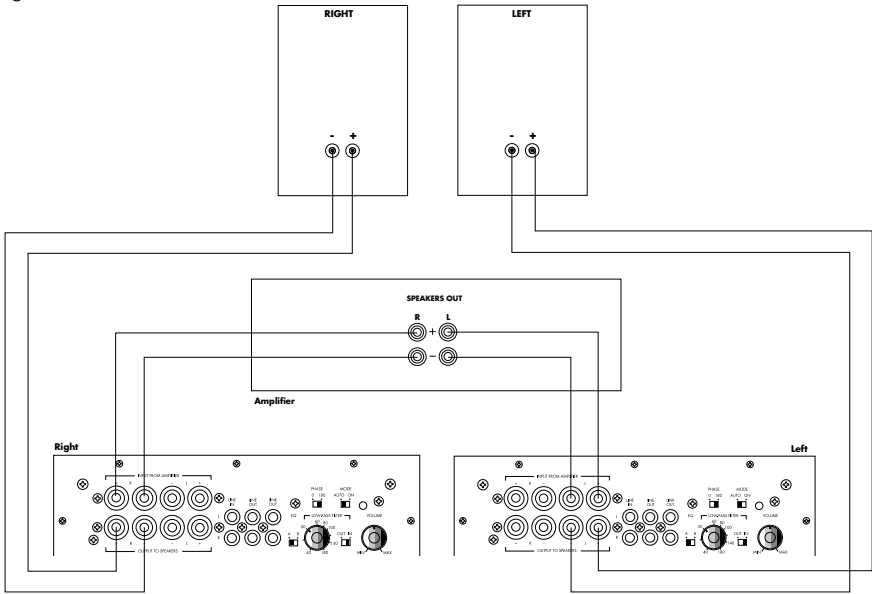


Figure 13



Contents

English

Limited Warranty.....	2
Owner's Manual.....	2

Français

Garantie limitée.....	6
Manuel d'utilisation	6

Deutsch

Beschränkte Garantie	11
Bedienungsanleitung...	11

Español

Garantía limitada.....	15
Manual de instrucciones	15

Português

Garantia limitada.....	20
Manual do utilizador....	20

Italiano

Garanzia limitata	24
Manuale di istruzioni ...	25

Nederlands

Beperkte garantie	29
Handleiding	29

Polski

Gwarancja	33
Instrukcja użytkownika	33

Magyar

Korlátozott garancia ..	37
Használati útmutató ...	37

Ελληνικά

Περιορισμένη εγγύηση	41
Οδηγίες Χρήσεως	42

Русский

Ограниченная гарантия.....	47
Руководство по эксплуатации	47

Norsk

Tidsbegrenset garanti.....	52
Bruksanvisning	52

Svenska

Begränsad garanti	53
Bruksanvisning	53

Suomi

Takuuehdot.....	54
Omistajan kasikirja	55

日本語

有限保証	56
取扱説明書	56

中文

有限擔保	59
用戶說明書	59

English

Limited Warranty

Dear customer,

Welcome to B&W.

This product has been designed and manufactured to the highest quality standards. However, if something does go wrong with this product, B&W Loudspeakers and its national distributors warrant free of charge labour (exclusion may apply) and replacement parts in any country served by an official B&W distributor.

This limited warranty is valid for a period of five years from the date of purchase or two years for electronics including amplified loudspeakers.

Terms and Conditions

- 1 The warranty is limited to the repair of the equipment. Neither transportation, nor any other costs, nor any risk for removal, transportation and installation of products is covered by this warranty.
- 2 This warranty is only valid for the original owner. It is not transferable.
- 3 This warranty will not be applicable in cases other than defects in materials and/or workmanship at the time of purchase and will not be applicable:
 - a for damages caused by incorrect installation, connection or packing,
 - b for damages caused by any use other than correct use described in the user manual, negligence, modifications, or use of parts that are not made or authorised by B&W,
 - c for damages caused by faulty or unsuitable ancillary equipment,
 - d for damages caused by accidents, lightning, water, fire heat, war, public disturbances or any other cause beyond the reasonable control of B&W and its appointed distributors,
 - e for products whose serial number has been altered, deleted, removed or made illegible,
 - f if repairs or modifications have been executed by an unauthorised person.
- 4 This guarantee complements any national/regional law obligations of dealers or national distributors and does not affect your statutory rights as a customer.

How to claim repairs under warranty

Should service be required, please follow the following procedure:

- 1 If the equipment is being used in the country of purchase, you should contact the B&W authorised dealer from whom the equipment was purchased.
- 2 If the equipment is being used outside the country of purchase, you should contact B&W national distributor in the country of residence who will advise

where the equipment can be serviced. You can call B&W in the UK or visit our web site to get the contact details of your local distributor.

To validate your warranty, you will need to produce this warranty booklet completed and stamped by your dealer on the date of purchase. Alternatively, you will need the original sales invoice or other proof of ownership and date of purchase.

Owner's manual

IMPORTANT SAFETY INSTRUCTIONS



Caution:

To reduce the risk of electric shock, do not remove the back panel. No user-serviceable parts inside. Refer servicing to qualified personnel.

Explanation of Graphical Symbols:



The lightning flash within an equilateral triangle is intended to alert you to the presence of uninsulated "dangerous voltage" within the product's enclosure that may be of sufficient magnitude to constitute an electric shock to persons.



The exclamation point within an equilateral triangle is intended to alert you to the presence of important operating and maintenance (servicing) instructions in the literature accompanying the appliance.

WARNINGS:

- 1 Read Instructions – All the safety and operating instructions should be read before the appliance is operated.
- 2 Retain Instructions – The safety and operating instructions should be retained for future reference.
- 3 Heed Warnings – All warnings on the appliance and in the operating instructions should be adhered to.
- 4 Follow Instructions – All operating and use instructions should be followed.
- 5 Power Sources – This product should be operated only from the type of power source indicated by the marking situated on the rear panel. If you are not sure of the type of power supply to your home, consult your product dealer or local power company.
- 6 Grounding or Polarisation – The appliance is not required to be grounded. Ensure the plug is fully inserted into the wall outlet or extension cord receptacle to prevent blade or pin exposure. Versions of the product marked for use with 110V – 120V power supplies are equipped with a power cord fitted with a polarised alternating line plug (a plug having one blade wider than the other). This plug will fit onto the power outlet only one way. This is a safety feature. If you are unable to insert the plug fully into the outlet, try reversing the plug. If the plug should still fail to fit, contact your electrician to replace your obsolete outlet. Do not defeat the safety purpose of the polarised plug. When using an extension power-supply cord or a power-supply cord other than that supplied with the appliance, it should be fitted with the appropriate moulded-on plugs and carry safety approval appropriate to the country of use.
- 7 Power Cord Protection – Power-supply cords should be routed so that they are not likely to be walked on or pinched by items placed on or against them, paying particular attention to cords at plugs, convenience receptacles and the point where they exit from the appliance.
- 8 Overloading – Do not overload wall outlets, extension cords or integral convenience receptacles, as this can result in a risk of fire or electric shock.
- 9 Ventilation – The amplifier panel at the rear of the product forms part of the cooling mechanism and must not be obscured by placing the product on a bed, sofa, rug, or other similar surface. Ensure the heat sink fins are aligned vertically to ensure proper cooling. The product should not be placed in a built-in installation, such as a rack, bookcase or cabinet unless proper ventilation is provided or the manufacturer's instructions have been adhered to.
- 10 Heat – The product should be situated away from heat sources such as radiators, heat registers, stoves, or other products (including amplifiers) that produce heat.
- 11 Wall or Ceiling Mounting – The product should be mounted to a wall or ceiling only as recommended by the manufacturer.
- 12 Water and Moisture – Do not use this product near water – for example, near a bathtub, washbowl, kitchen sink, laundry tub, in a wet basement, or near a swimming pool and the like.
- 13 Object and Liquid Entry – Never push objects of any kind into this product through openings, as they may touch dangerous voltage points or short out parts that could result in a fire or electric shock. Never spill liquid of any kind on the product. Do not place any object containing liquid on top of the product.
- 14 Cleaning – Unplug the product from the wall outlet before cleaning. Refer to

the cleaning instructions in the section of the manual titled "Aftercare".

- 15 Attachments – Do not use attachments not recommended by the product manufacturer, as they may cause hazards.
- 16 Accessories – Do not place this product on an unstable cart, stand, tripod, bracket or table. The product may fall, causing serious injury to a child or adult, and serious damage to the product. Use only with a cart, stand, tripod, bracket or table recommended by the manufacturer or sold with the product. Any mounting of the product should follow the manufacturer's instructions and should use a mounting accessory recommended by the manufacturer.
- 17 Moving the appliance – A product and cart combination should be moved with care. Quick stops, excessive force and uneven surfaces may cause the product and cart combination to overturn. Check that there are no cables under the carpet that may be damaged by the spike feet. Do not walk the product on the spike feet as this may cause them to become detached from the cabinet and cause damage. Take care not to impale yourself with the spike feet.
- 18 Non-use Periods – The power cord of the appliance should be unplugged from the outlet when left unused for a long period of time.
- 19 Servicing – Do not attempt to service this product yourself, as opening or removing covers may expose you to dangerous voltage or other hazards. Refer all servicing to qualified service personnel.
- 20 Damage Requiring Service – Unplug this product from the wall outlet and refer servicing to qualified personnel under the following conditions:
 - a When the power-supply cord or plug has been damaged.
 - b If liquid has been spilled or objects have fallen into the appliance.
 - c If the product has been exposed to rain or water.
 - d If the product does not operate normally by following the operating instructions. Adjust only those controls that are covered by the operating instructions, as an improper adjustment of other controls may result in damage and will often require extensive work by a qualified technician to restore the product to its normal operation.
 - e If the product has been dropped, or damaged in any way.
 - f When the product exhibits a distinct change in performance – this indicates a need for service.
- 21 Replacement Parts – When replacement parts are required, be sure the service technician has used replacement parts specified by the manufacturer or have the same

characteristics as the original part. Unauthorised substitutions may result in fire, electric shock or other hazards.

- 22 Mains fuses are located inside the amplifier and replacement should be entrusted to an authorised B&W agent. Replacement fuse types are shown in the specification.
- 23 Safety Check – Upon completion of any service or repairs to this product, ask the service technician to perform safety checks to determine that the product is in proper operating condition.
- 24 Magnetic fields – The product creates a stray static magnetic field. Do not place any object that may be damaged by this magnetic field (eg cathode ray tube televisions or computer monitors, audio and video tapes and swipe cards) within 0.5m (2 feet) of the appliance. The appliance may cause distortion of cathode ray tube images beyond this distance.

Introduction

Thank you for purchasing this B&W Active Subwoofer.

Since its foundation in 1966, the continuing philosophy of B&W has been the quest for perfect sound reproduction. Inspired by the company's founder, the late John Bowers, this quest has entailed not only high investment in audio technology and innovation but also an abiding appreciation of music and the demands of film sound to ensure that the technology is put to maximum effect.

This subwoofer has been designed for Home Theatre installations and to augment the bass performance of 'full range' speakers in 2-channel audio use. Adding the subwoofer to your system not only extends the bass to lower frequencies, it improves the midrange clarity by reducing the low-frequency demands on your existing speakers.

Please read through this manual fully before using the subwoofer. All sound installations require some planning and experimentation if you are to get the best out of the products used and this manual will guide you in this process.

As the subwoofer is connected to the electricity power supply, it is important that you familiarise yourself with the safety instructions and heed all warnings.

Keep this manual in a safe place for future reference.

B&W loudspeakers are distributed to over 60 countries worldwide and we maintain an international network of carefully chosen and dedicated distributors. If you have a problem, which your dealer cannot resolve, our distributors will be more than willing to assist you.

Unpacking (figure 1)

The easiest way to unpack the subwoofer and avoid damage is as follows:

- Open the carton flaps right back and invert the carton and contents.

- Lift the carton away from the product.

We recommend that you retain the packaging for future use.

In addition to this manual, the carton should contain:

- 1 Subwoofer
- 4 screw-in rubber feet
- 4 screw-in spike feet with lock nuts
- 1 International warranty document

A tour of the subwoofer (figure 2)

- 1 Heat sink
- 2 Speaker level connectors
- 3 Line level sockets
- 4 EQ (equalisation) switch
- 5 LOW-PASS FILTER frequency control
- 6 PHASE switch
- 7 LOW-PASS FILTER defeat switch
- 8 MODE On/Auto switch
- 9 On/Standby indicator light
- 10 VOLUME control
- 11 Power cord
- 12 POWER On/Off switch

What the subwoofer does

Application: Home Theatre

The primary function of the subwoofer is to reproduce signals from the Low Frequency Effects (LFE) channel. In addition, the processor may be configured to divert the low bass portion of some or all of the other channels and add it to the LFE information by configuring those speakers to 'small' in the processor set-up procedure.

Application: 2-channel audio

The subwoofer is used to extend the bass response beyond that provided by the satellite speakers. In most cases, best results are obtained if the satellite speakers are run full range as normal directly from the power amplifier. The subwoofer low-pass filter is then set so that its output rises as that of the satellite speakers falls naturally. However, if the satellite speakers are very small, the system output level may be limited by overloading their bass drivers. If this is the case, better results may be obtained by using the high-pass filters in the subwoofer to limit the bass energy fed to the satellite speakers.

Positioning the subwoofer

Because the subwoofer produces only low-frequency sounds, positioning is less critical in some respects compared to full-range speakers. Directional information is much less precise and you have more choice where to place the speakers to good effect. This said, best results are obtained if the subwoofer is placed between the left and right speakers or in the vicinity of one of them. If you use two subwoofers, it is best to put one near the left and one near the right speaker.

Placing the subwoofer behind the listeners, even in surround sound installations,

generally gives inferior imaging, but may be an acceptable compromise if domestic considerations dictate.

As with all speakers, the proximity of room boundaries affects the sound. Bass is generally increased as more surfaces come into close proximity with the speakers. Unlike full-range speakers, however, you can always restore the correct overall system balance by adjusting the volume level of the subwoofer. The more boost you get from the room, the less hard the speaker has to work; but there is a down side. Corner positions often excite more low-frequency room resonances, making the bass more uneven with frequency. There is no substitute for experiment as all rooms behave differently, so try the subwoofer in a variety of positions before making a final decision. A piece of music with a bass line ascending or descending the musical scale is useful for assessing the smoothness of the bass response. Listen for exaggerated or quiet notes. Having a separate subwoofer does enable you to optimise for room resonances independently from siting the satellite speakers for best imaging.

If the subwoofer is to be used in a confined space (eg in custom furniture), the space must be ventilated to allow sufficient air to circulate and cool the unit. Ask your dealer for advice.

The subwoofer is supplied with four spike feet. The spikes pierce through carpet pile, giving a firm support directly to the floor surface without crushing the pile.

If the unit is to be placed on a vulnerable surface, such as a wooden floor, either place a protective disc under each spike or fit the four rubber feet in place of the spikes.

When fitting either the rubber feet or the spike feet, first screw the lock nuts fully onto the thread and then screw the feet fully onto the threaded inserts in the base of the cabinet. If the unit rocks, loosen the relevant two opposing feet until the support is firm, then re-tighten the lock nuts to the inserts.

Electrical connections

Disconnect all sound system equipment from the power supply until the signal connections have been made and checked. This avoids the risk of damage whilst connections are made or broken.

The subwoofer will input and output both line-level signals via the RCA Phono sockets and speaker level signals via the binding posts located on the back panel.

Use the following guide to select the correct wiring method for your installation:

Application: Home Theatre

Processor with separate power amplifiers feeding one or more subwoofers – fig 3

Processor with integrated power amplifiers feeding one or more subwoofers:
– with line level subwoofer output – fig 4
– with speaker level subwoofer output – fig 5

Application: 2-channel audio

Separate pre- & power amplifiers:

- Full range signal to satellite speakers and:
 - One subwoofer – fig 6
 - Two subwoofers – fig 7
- High-pass signal to satellite speakers and:
 - One subwoofer – fig 8
 - Two subwoofers – fig 9

Integrated pre- & power amplifier:

- Full range signal to satellite speakers and:
 - One subwoofer – fig 10
 - Two subwoofers – fig 11
- High-pass signal to satellite speakers and:
 - One subwoofer – fig 12
 - Two subwoofers – fig 13

Using more than one subwoofer

Using more than one unit in a single installation can improve performance in the following ways:

- Maintain stereo separation to the lowest frequencies.
- Cope with larger listening rooms.
- Enable greater maximum sound output – often useful for effectively reproducing special effects in Home Theatre applications.
- Smooth out the effects of low-frequency room resonances.

If you are using two subwoofers for 2-channel audio, stereo separation is improved if each channel has its own subwoofer, providing each one is placed close to the relevant satellite speaker. Only use the mono connection of figure 8 if you cannot place each subwoofer close to its satellite speaker.

Double-check the connections

ENSURE THAT THE VOLTAGE INDICATED ON THE AMPLIFIER PANEL MATCHES THAT OF THE POWER SUPPLY.

Before auditioning the sound quality of your new installation and fine-tuning it, double-check the connections. All too often, users complain that they cannot get a decent sound however they set the controls, only to discover something has been wrongly connected. Make sure that:

- The phasing is correct – there should be no positive to negative connections to the satellite speakers. If something is out of phase you may get a fuzzy sound with an imprecise and floating image, a lack of bass or a combination of the two.
- There are no left to right mix-ups – this can result, for example, in the orchestra being the wrong way round or, more disastrously, sounds on your Home Theatre going in the opposite direction to the action on the screen.

Switching on and off

We recommend that you switch the subwoofer on before any power amplifiers receiving signals from the subwoofer. Similarly, when switching off, switch the subwoofer off last.

The MODE On/Auto switch (8) and indicator light (9) operate as follows:

On:

With the switch in this position, the amplifier remains permanently fully active, and the light glows green.

Auto:

On first switching on the subwoofer while set to Auto, the amplifier becomes fully active and the light (9) glows green. After a period of about 5 minutes without an input signal, the amplifier automatically reverts to standby mode, and the light glows red. When an input signal is detected, the amplifier automatically becomes fully active and the light glows green.

Setting the controls

There are 5 controls to consider:

- The VOLUME control (10)
- The LOW-PASS FILTER frequency control (5)
- The LOW-PASS FILTER switch (7)
- The PHASE switch (6)
- The EQ (equalisation) switch (4)

The optimum settings depend on the other equipment used with the subwoofer. If using more than one subwoofer, ensure the controls on each one are set the same.

Home theatre

The subwoofer is not a THX® licensed component, but may be used with a THX® controller if desired.

- Set the VOLUME control initially to the 9 o'clock position.
- Set the LOW-PASS FILTER switch to OUT.
- Set the EQ switch initially to position A.
- Set the PHASE switch initially to 0°.
- The setting of the LOW-PASS FILTER frequency control is irrelevant.

See also the section "Fine tuning".

If you have a THX® controller, ensure that the subwoofer function is enabled. When so configured it incorporates all the filtering and level setting required for the subwoofer in all modes. For level calibration, the internal test noise and channel level controls in the THX® controller should be used. In all cases the levels should be set to obtain 75dB SPL (C-weighted) at the listening position from the controller's internal noise test signal.

With other processors, configure the front and surround speakers to "large" or "small" as appropriate before setting the levels. Use the internal noise test signal and volume controls of the processor to set the levels of all the speakers. Only change the VOLUME control on the subwoofer if there is not enough range in the processor to

achieve the correct levels.

Inexpensive sound level meters are readily available from electronics stores and should be used to calibrate the levels. Refer to your processor manual for further details on how to set the levels.

2-channel audio

- Set the VOLUME control initially to the 9 o'clock position.
- Set the LOW-PASS FILTER switch to IN.
- Set the EQ switch initially to position A.
- Set the PHASE switch initially to 180°.

If you are running the satellite speakers full range (figs 6, 7, 10, 11).

- Set the LOW-PASS FILTER frequency to the -6dB cut-off frequency of your satellite speakers.

Both -3dB and -6dB figures are to be found in the specification of each B&W speaker model. However, if the manufacturer of the satellite speakers does not quote a -6dB frequency, but only a -3dB frequency, the optimum setting for the LOW-PASS FILTER frequency control will be between 0.6 and 0.9 times the -3dB frequency, depending on the roll-off alignment. The more gradual the roll-off rate of the satellite speakers, the lower the frequency should be set.

If you are running the satellite speakers high-passed (figs 8, 9, 12, 13).

- Set the LOW-PASS FILTER frequency initially to 80Hz.

See also the section "Fine tuning".

Fine-tuning

Home theatre

With home theatre the subwoofer (LFE) signal is a separate channel rather than an extension of the signal to the satellite speakers. The LOW-PASS FILTER is switched out, because the processor provides all the filtering for any speakers set to "small". However, the position of the phase switch must still be assessed. Normally the phase will be set to 0°, but if the subwoofer is positioned at a distance significantly different from the other speakers, or the power amplifier driving the other speakers happens to invert the signal, the 180° position may be preferable. Listen with the switch in both positions and choose the one that gives the fullest sound. If there is little difference, leave the switch at 0°.

Surround sound processors normally have a calibrated noise signal that can be used to set the relative levels of all the speakers, making the task somewhat more straightforward than for 2-channel audio. However, do not be afraid to alter the settings to your personal preference. It is all too easy to get carried away with the capabilities of the subwoofer, especially with some special low-frequency effects. Often a more realistic portrayal, and one more satisfying in the long term, is to be had by setting the subwoofer level lower than the standard calibration level.

2-channel audio

The optimum settings of the PHASE switch and the LOW-PASS FILTER frequency control are inter-related and also dependent on the low-frequency cut-off characteristic of the satellite speaker. However, the settings recommended above for the LOW-PASS FILTER frequency and PHASE have been chosen to add well to most bass alignments, whether closed-box or vented-box (reflex), with -6dB frequencies within the adjustment range of the subwoofer.

If feeding the satellite speakers via the high-pass filter of the subwoofer, the frequency will need to be set lower than the initial value of 80Hz if the -3dB frequency of the satellite speakers is lower than 80Hz and higher if above.

Set the system up in the preferred position and play some programme with a steady bass content.

Using the initial settings guide, first check the setting of the PHASE switch. Choose the position that gives the fullest sound. Normally the recommended position will be optimum, but may not be in certain circumstances, such as if you are using line level connections and the power amplifiers feeding the satellite speakers invert the signal, or if the subwoofers are not placed close to the satellite speakers.

Next, set the loudness of the subwoofer relative to the satellite systems to your liking. Use a wide variety of programme material to get an average setting. One that sounds impressive on one piece may sound overpowering on another. Listen at realistic levels as the perception of balance varies with sound level.

Finally, adjust the LOW-PASS FILTER frequency to give the smoothest transition between the subwoofer and satellite speakers. This is probably the most difficult to optimise.

All applications

The EQ switch alters the bass roll-off alignment. The bass you hear is a combination of the subwoofer plus the effects of the room and you should choose the position that best complements your room and the position of the subwoofer. Position A gives a drier alignment, more suited to placing the subwoofer in a corner or compensating a boomy room. Position B is more suited to a dry room acoustic and use away from a corner.

If you get problems with uneven bass – if certain bass notes are exaggerated more than others – then you probably have a room interface problem and it is worth experimenting with the placement of the subwoofer. What may seem like small changes in position – 15cm (6in) or so – can have a profound effect on the sound. Try raising the subwoofer clear of the floor as well as lateral movement. The use of multiple subwoofers can smooth the effects of room resonances, as each subwoofer will tend to excite resonances at different frequencies. If you alter the relative distances from the subwoofer(s) and satellite speakers to the listeners appreciably, reassess the phase switch

setting. You should also check the level setting of the subwoofer (using either the processor output levels or the volume control on the subwoofer amplifier as appropriate), but only after setting the phase correctly.

When using more than one subwoofer, ensure that each one has its LOW-PASS FILTER frequency and PHASE set the same way.

Taking care of the subwoofer

The cabinet of the subwoofer may be cleaned by dusting with a dry cloth. If you wish to use an aerosol cleaning spray, do not spray directly on the cabinet; spray onto the cloth. Remove the grille first so that the cloth does not become stained, but be careful not to disturb the drive unit. The grille itself may be cleaned using a soft brush.

Do not use the subwoofer as a table. When in use, objects left on top of the subwoofer are liable to rattle. In particular, avoid the risk of liquids being spilled (eg from drinks or vases of flowers).

If the system is taken out of use for a long period, disconnect the subwoofer from the power supply.

Français

Garantie limitée

Cher Client,

Bienvenue à B&W.

Ce produit a été conçu et fabriqué en vertu des normes de qualité les plus rigoureuses. Toutefois, en cas de problème, B&W Loudspeakers et ses distributeurs nationaux garantissent une main d'œuvre (exclusions possibles) et des pièces de rechange gratuites dans tout pays desservi par un distributeur agréé de B&W.

Cette garantie limitée est valide pour une période de cinq ans à compter de la date d'achat ou une période de deux ans pour les composants électroniques, y compris les haut-parleurs amplifiés.

Conditions

- 1 La garantie est limitée à la réparation de l'équipement. Les frais de transport ou autres, les risques associés à l'enlèvement, au transport et à l'installation des produits ne sont pas couverts par cette garantie.
- 2 La garantie est exclusivement réservée au propriétaire d'origine et ne peut pas être transférée.
- 3 Cette garantie ne s'applique qu'aux produits faisant l'objet de vices de matériaux et/ou de construction au moment de l'achat et ne sera pas applicable dans les cas suivants :
 - a détériorations entraînées par une installation, connexion ou un emballage incorrect,
 - b détériorations entraînées par un usage autre que l'usage correct décrit dans le manuel de l'utilisateur, la négligence, des modifications ou l'usage de pièces qui ne sont pas fabriquées ou agréées par B&W,
 - c détériorations entraînées par un équipement auxiliaire défectueux ou qui ne convient pas,
 - d détériorations résultant de : accidents, foudre, eau, chaleur, guerre, troubles de l'ordre public ou autre cause ne relevant pas du contrôle raisonnable de B&W ou de ses distributeurs agréés,
 - e les produits dont le numéro de série a été modifié, effacé, éliminé ou rendu illisible,
 - f les produits qui ont été réparés ou modifiés par une personne non autorisée.
- 4 Cette garantie vient en complément à toute obligation juridique nationale / régionale des revendeurs ou distributeurs nationaux et n'affecte pas vos droits statutaires en tant que client.

Comment faire une réclamation en vertu de la garantie

Veillez respecter la procédure ci-dessous, si vous souhaitez faire une réclamation sous garantie :

- 1 Si l'équipement est utilisé dans le pays d'achat, veuillez contacter le distributeur agréé de B&W qui a vendu l'équipement.
- 2 Si l'équipement est utilisé dans un pays autre que le pays d'achat, veuillez contacter le distributeur national B&W du pays de résidence, qui vous indiquera où vous pouvez faire réparer l'équipement. Vous pouvez appeler B&W au Royaume-Uni ou consulter notre site Web pour obtenir les coordonnées de votre distributeur local.
- 3 Suivez les recommandations – Toutes les recommandations concernant la sécurité durant le fonctionnement doivent être rigoureusement suivies.
- 4 Suivez les instructions de fonctionnement – Veuillez exclusivement vous conformer aux instructions qui suivent, concernant l'utilisation et les réglages de cet appareil.
- 5 Alimentation – Cet appareil doit exclusivement être alimenté suivant les caractéristiques (tension, fréquence du secteur) indiquées sur l'étiquette collée en face arrière. En cas de doute, consultez immédiatement votre revendeur.
- 6 Mise à la terre ou en phase – Cet appareil ne nécessite pas de mise à la terre. Veillez simplement à insérer complètement et fermement la prise secteur dans la prise murale. Pour les versions 110 ou 120 volts, le câble secteur fourni possède des fiches avec détrompeur nécessitant un sens d'orientation précis, en fonction des normes de sécurité en vigueur dans les pays concernés. Dans tous les cas, si vous désirez utiliser un cordon prolongateur, assurez-vous qu'il répond bien aux normes de sécurité en vigueur dans le pays d'utilisation, et qu'il répond aux caractéristiques (puissance) du caisson de grave. En cas de doute, consultez un électricien agréé.

Afin de valider votre garantie, vous devez présenter ce livret de garantie qui aura été rempli et tamponné par votre revendeur le jour de l'achat. En l'absence de ce livret, vous devez présenter l'original de la facture commerciale ou une autre preuve d'achat et de la date d'achat.

Manuel d'utilisation

IMPORTANTES INSTRUCTIONS CONCERNANT LA SÉCURITÉ



ATTENTION
RISQUE D'ÉLECTROCUTION
NE PAS OUVRIR



Attention :

Pour réduire le risque d'électrocution, ne pas démonter le panneau arrière. Il n'y a aucun élément susceptible d'être modifié par l'utilisateur à l'intérieur. Adressez-vous toujours à un technicien agréé.

Explication des symboles graphiques



L'éclair dans un triangle équilatéral indique la présence interne de tensions électriques élevées susceptibles de présenter des risques graves d'électrocution.



Le point d'exclamation dans un triangle équilatéral indique à l'utilisateur la présence de conseils et d'informations importantes dans le manuel d'utilisation accompagnant l'appareil. Leur lecture est impérative.

PRÉCAUTIONS IMPORTANTES :

- 1 Lisez ce manuel d'utilisation – Tous les conseils de sécurité et de fonctionnement doivent être attentivement lus avant de faire fonctionner l'appareil.
- 2 Conservez ce manuel – Vous devez pouvoir vous y référer dans le futur, notamment pour les instructions concernant la sécurité.
- 3 Suivez les recommandations – Toutes les recommandations concernant la sécurité durant le fonctionnement doivent être rigoureusement suivies.
- 4 Suivez les instructions de fonctionnement – Veuillez exclusivement vous conformer aux instructions qui suivent, concernant l'utilisation et les réglages de cet appareil.
- 5 Alimentation – Cet appareil doit exclusivement être alimenté suivant les caractéristiques (tension, fréquence du secteur) indiquées sur l'étiquette collée en face arrière. En cas de doute, consultez immédiatement votre revendeur.
- 6 Mise à la terre ou en phase – Cet appareil ne nécessite pas de mise à la terre. Veillez simplement à insérer complètement et fermement la prise secteur dans la prise murale. Pour les versions 110 ou 120 volts, le câble secteur fourni possède des fiches avec détrompeur nécessitant un sens d'orientation précis, en fonction des normes de sécurité en vigueur dans les pays concernés. Dans tous les cas, si vous désirez utiliser un cordon prolongateur, assurez-vous qu'il répond bien aux normes de sécurité en vigueur dans le pays d'utilisation, et qu'il répond aux caractéristiques (puissance) du caisson de grave. En cas de doute, consultez un électricien agréé.
- 7 Précautions pour le câble d'alimentation secteur – Le câble d'alimentation doit être placé de telle manière qu'il ne subisse aucun coude ou pincement, ou toute contrainte susceptible de l'arracher accidentellement de sa prise ou de le détériorer.
- 8 Surcharge – Ne surchargez jamais une prise murale en tentant d'y brancher plus d'appareils (via des cordons prolongateurs et prises multiples) que sa puissance ne peut en supporter. Les risques d'incendie ou d'électrocution sont importants !
- 9 Ventilation – Le panneau arrière de l'amplificateur intégré possède des ailettes de refroidissement qui en font partie intégrante et permettent son refroidissement correct. N'obstruez pas ce panneau arrière, par exemple en le plaquant contre un fauteuil ou canapé, ou toute surface non plane et rigide. L'appareil ne doit pas non plus être intégré dans un meuble (bibliothèque, rack spécial, etc.), à moins qu'une ventilation générale complémentaire ait été soigneusement prévue.
- 10 Chaleur – Cet appareil doit être placé loin de toute source importante de chaleur, telle que cheminée, radiateur, etc., ou même les amplificateurs de puissance dégagent aussi beaucoup de chaleur.
- 11 Fixation au mur ou au plafond – L'appareil ne peut être fixé au mur ou au plafond que si cela est expressément prévu et recommandé

- par le constructeur dans le manuel d'utilisation.
- 12 Eau et humidité – N'utilisez pas cet appareil près d'une source humide ou de l'eau – par exemple dans une salle de bains, près d'une piscine, dans un local très humide (présence de vapeur d'eau ou de condensation), etc.
 - 13 Objets ou liquides étrangers – Ne jamais tenter d'introduire quelque objet que ce soit par les interstices présents sur l'appareil. Empêchez aussi tout renversement de liquide dans l'appareil, sous peine, dans les deux cas, d'importants risques d'électrocution. Ne placez aucun objet contenant du liquide sur le dessus de l'appareil.
 - 14 Entretien – Débranchez toujours l'appareil de l'alimentation secteur avant de le nettoyer. Pour l'entretien, voir le paragraphe correspondant à la fin de ce manuel d'utilisation.
 - 15 Fixations – N'utilisez pas de systèmes de fixation pour l'appareil, autre que ceux expressément éventuellement recommandés par le constructeur, sous peine de détérioration irréversible.
 - 16 Accessoires – Ne placez pas cet appareil sur un pied, trépied, meuble instable, etc. Il pourrait tomber, pouvant causer ainsi des blessures graves à un adulte comme à un enfant, et être irrémédiablement lui-même détérioré. N'utilisez des modes de surélévation expressément éventuellement recommandés par le constructeur.
 - 17 Transport – L'appareil peut être transporté en utilisant un chariot adapté, mais en procédant avec précaution. Évitez les freinages ou changements de direction trop brusques qui pourraient déstabiliser l'ensemble, entraînant la chute de l'appareil. En déplaçant l'appareil seul, prenez garde aux pointes supports de l'appareil qui pourraient détériorer moquettes, tapis et parquets, ou encore des câbles circulant sur le sol. Ne vous blessez pas vous-même avec ces pointes !
 - 18 Période de non-utilisation – Le câble d'alimentation secteur doit être débranché si vous n'utilisez pas l'appareil pendant une longue période.
 - 19 Réparation – Ne tentez pas vous-même la moindre réparation, en cas de problème constaté. L'ouverture de l'appareil peut entraîner de graves risques d'électrocution. Adressez-vous toujours à un technicien agréé.
 - 20 Service après vente – Débranchez impérativement l'appareil de sa prise secteur et adressez-vous immédiatement à votre revendeur agréé dans les cas suivant :
 - a Lorsque le câble secteur ou sa prise ont été endommagés.
 - b Si du liquide ou des objets sont tombés à l'intérieur de l'appareil.
- c Si l'appareil a été directement exposé à la pluie ou à n'importe quel liquide.
 - d Si l'appareil, après avoir suivi les instructions concernant son fonctionnement, ne marche pas normalement. N'utilisez que les commandes expressément citées dans ce manuel d'utilisation, et dans les conditions de fonctionnement indiquées. Une tentative de fonctionnement autre que celui expressément conseillé peut entraîner des dégradations nécessitant l'intervention longue et coûteuse d'un technicien agréé.
 - e Si l'appareil est tombé, ou a été endommagé de quelque manière que ce soit.
 - f Si l'appareil présente un changement manifeste dans son fonctionnement et ses performances, nécessitant manifestement l'intervention d'un réparateur agréé.
- 21 Remplacement de pièces – Lorsque le remplacement de certaines pièces ou composants est nécessaire, adressez-vous toujours à un technicien qualifié et agréé. Veillez à ce que les pièces de remplacement soient rigoureusement conformes aux pièces d'origine. Des pièces différentes peuvent entraîner des risques d'électrocution, d'incendie et un fonctionnement non correct de l'appareil.
 - 22 Les fusibles de protection générale sont placés à l'intérieur de l'appareil. Leur remplacement ne peut donc être effectué que par un agent agréé B&W. Le type de fusible(s) de remplacement est indiqué dans les spécifications de l'appareil.
 - 23 Vérifications – Après une quelconque intervention sur l'appareil par un technicien agréé, demandez à ce dernier de procéder à l'ensemble de vérifications nécessaires pour s'assurer du bon fonctionnement de l'appareil.
 - 24 Champs magnétiques – L'appareil peut éventuellement générer un champ magnétique et de l'électricité statique. Ne le placez donc pas à plus de 50 centimètres d'un appareil pouvant être abimé par ce champ magnétique (tube cathodique de téléviseur, cassettes audio ou vidéo, cartes magnétiques, etc.).

Introduction

Nous vous remercions pour l'achat de ce caisson de grave (en anglais « subwoofer ») actif B&W.

Depuis sa création en 1966, la philosophie continue de B&W a été la quête de la perfection de la reproduction sonore. Inspirée par le fondateur de la société, le regretté John Bowers, cette quête permanente sous-entend non seulement un investissement très poussé dans le domaine de la technologie et de l'innovation audio, mais également une connaissance parfaite des exigences de la Musique, et désormais, des nécessités

particulières des bandes sonores des films, pour garantir la reproduction optimale des effets particuliers nécessités par cette nouvelle technique.

Ce caisson de grave a donc été conçu pour satisfaire aussi bien aux exigences des installations Home Cinema que pour le renforcement de la reproduction du grave avec des enceintes acoustiques principales utilisées en « large bande », dans des systèmes purement stéréophoniques. L'ajout de ce caisson de grave dans votre installation permet non seulement d'étendre la réponse dans le grave vers les fréquences les plus basses, mais également d'améliorer la clarté du médium en réduisant les contraintes posées par la reproduction du grave par les enceintes acoustiques principales.

Veillez lire attentivement ce manuel d'utilisation avant d'utiliser le caisson de grave. Toutes les installations de reproduction sonore nécessitent un minimum d'expérimentations avant d'atteindre le meilleur des maillons utilisés. Ce manuel vous guidera également pour mener ces essais.

Comme ce caisson de grave doit être alimenté directement sur le secteur, il est impératif que vous lisiez tout d'abord tous les conseils et précautions concernant l'utilisation d'une alimentation électrique.

Gardez ce manuel dans un lieu sûr pour pouvoir le consulter à tout moment.

Les enceintes acoustiques B&W sont distribuées dans plus de soixante pays de par le monde. Aussi maintenons nous en place tout un réseau de distributeurs internationaux très sur le volet. Si vous vous trouvez devant un problème que votre revendeur agréé ne peut pas résoudre, n'hésitez pas à vous adresser à votre distributeur national.

Déballage (figure 1)

La manière la plus simple de débaler le caisson de grave sans risquer de l'endommager est la suivante :

- Ouvrez complètement les rabats supérieurs du carton. Retournez complètement l'ensemble carton + contenu.
- Ôtez complètement le carton en le tirant vers le haut.

Nous vous recommandons de conserver l'emballage pour tout transport futur de l'appareil.

En plus de ce manuel d'utilisation, vous devez trouver dans l'emballage :

- 1 Le caisson de grave
- 2 Des pieds vissés en caoutchouc
- 3 Des pointes vissantes avec contre-écrous de blocage
- 4 La carte de garantie internationale

Le tour d'horizon du caisson de grave (figure 2)

- 1 Radiateur de refroidissement
- 2 Prises d'entrée niveau haut-parleurs
- 3 Prise d'entrée niveau Ligne

- 4 Commutateur EQ (égalisation)
- 5 Choix de la fréquence du FILTRE PASSE-BAS (Low-pass filter)
- 6 Sélecteur de PHASE
- 7 Interrupteur de mise hors service du FILTRE PASSE-BAS
- 8 Commutateur de mode de mise en service On/Auto
- 9 Diode lumineuse indicatrice de mise en service ou mode de veille Standby
- 10 Contrôle de VOLUME
- 11 Câble d'alimentation secteur
- 12 Commutateur de mise sous tension général On/Off

Ce que fait le caisson de grave

Application : Home Cinema

La principale fonction de ce caisson de grave est de reproduire les fréquences basses contenues dans le canal de grave spécifique LFE (pour Low Frequency Effects, effets de fréquence grave), le « 1 » d'un signal « 5.1 ». De plus, le processeur peut être configuré pour envoyer les fréquences les plus basses de tout ou partie des autres canaux, en les ajoutant ainsi au signal du LFE proprement dit. On configure alors les autres enceintes concernées en mode « small » (gamme de fréquences réduite), dans le menu de paramétrage du processeur.

Application : audio 2 canaux

Le caisson de grave est cette fois utilisé pour étendre la réponse dans le grave et l'extrême-grave, par rapport aux fréquences reproduites par les satellites. Dans la majorité des cas, les meilleurs résultats sont obtenus en laissant les enceintes fonctionner en large bande (sans coupure dans le grave), alimentées normalement par l'amplificateur de puissance. Le filtre passe-bas du caisson de grave est alors réglé de telle manière qu'il prenne naturellement le relais à partir des fréquences qui ne sont plus reproduites à niveau normal par les satellites. Cependant, si les enceintes principales sont vraiment de taille réduite, il peut être désagréable, voire dangereux pour elles, de tenter absolument de leur faire reproduire trop de grave ; cela a pour effet de saturer leurs petits haut-parleurs. Dans ce cas, les meilleurs résultats seront obtenus en utilisant le filtre passe-haut intégré dans le caisson de grave, pour les alimenter. Celui-ci limite en effet le niveau des fréquences les plus graves renvoyées vers les satellites.

Installation du caisson de grave

Parce que le caisson de grave ne reproduit que des sons basse fréquence, son positionnement dans la pièce d'écoute est beaucoup moins critique que celui des autres enceintes acoustiques large bande. Les informations directionnelles sont en effet beaucoup moins présentes, ce qui laisse une plus grande latitude quant à la position du caisson de grave. Cela dit, les résultats les plus probants seront tout de même obtenus en plaçant le caisson de grave entre les deux enceintes latérales

avant, ou le plus près possible de celles-ci. Si vous utilisez deux caissons de grave, l'idéal sera d'en placer un près de l'enceinte de gauche, et le second près de l'enceinte de droite.

Placer le caisson de grave derrière les auditeurs, même dans les installations avec diffuseurs de sons Surround, donne généralement des résultats de qualité inférieure en terme de spatialisation du son, mais peut tout de même être un compromis acceptable pour des raisons domestiques ou esthétiques.

Comme avec tous les autres types d'enceintes, la proximité des cloisons de la pièce affecte les résultats sonores. Les basses sont généralement d'autant plus fortes que l'enceinte qui les reproduit est proche d'un ou plusieurs murs. Cependant ici, contrairement aux enceintes acoustiques large bande, vous pouvez toujours corriger ce phénomène en atténuant le volume de reproduction du grave. Plus vous utilisez le renforcement naturel des basses par les murs de la pièce, principalement en utilisant un coin de la pièce, et moins le haut-parleur a de travail à fournir. Mais cette technique à un revers : elle ne permet pas de maîtriser parfaitement les fréquences ainsi favorisées. Il n'y a de toute façon pas de meilleure position que celle déterminée par de nombreux essais de positionnements différents dans la pièce ; chaque cas est en effet un cas d'espèce. Vous utiliserez un morceau de musique contenant une composante de grave allant progressivement crescendo, puis diminuant, afin de déterminer le bon niveau de grave. N'hésitez pas à écouter les notes graves les plus fortes, puis les plus faibles. Le fait de posséder un caisson de grave séparé doit en fait vous permettre de minimiser les résonances parasites de la pièce d'écoute, tout en conservant une parfaite image stéréophonique ou multicanal.

Si le caisson de grave doit être utilisé dans un espace très réduit, par exemple dans un meuble spécialement fabriqué, une ventilation suffisante doit être assurée tout autour de lui afin de permettre un refroidissement correct. N'hésitez pas à demander conseil à votre revendeur agréé.

Le caisson de grave est livré avec quatre pointes supports de découplage. Ces pointes sont capables de transpercer discrètement une moquette, garantissant une assise parfaitement ferme directement sur le sol.

Si le caisson doit être placé sur une surface fragile, tel qu'un parquet, intercalez des petites rondelles de protection (pièces de monnaie par exemple), entre les pointes et le parquet. Ou bien utilisez les quatre pieds en caoutchouc également fournis, à la place des pointes.

Qu'il s'agisse des pointes ou des pieds en caoutchouc, commencez par les visser complètement dans leur insert fileté, après avoir complètement libéré les écrous de blocage sur l'axe, si nécessaire. Si le caisson de grave n'est pas parfaitement stable, dévissez simultanément les deux vis des deux coins opposés en cause, jusqu'à

obtenir une stabilité parfaite. Vissez alors les écrous pour bloquer complètement les quatre tiges filetées.

Branchements électriques

Débranchez tout d'abord tous les maillons du système de leurs prises d'alimentation secteur. Vous ne les rebranchez que lorsque tous les branchements auront été faits et vérifiés. Cela évite tout risque de détérioration d'un quelconque des éléments du système, en cas de fausse manœuvre.

Le caisson de grave accepte entrée et sortie du signal, soit au niveau Ligne via ses prises de type RCA, soit au niveau haut-parleurs via ses bornes à vis placées en face arrière.

Utilisez le guide suivant pour choisir la méthode de branchement adéquate suivant le type de votre installation :

Application : Home Cinema

Processeur avec amplificateurs de puissance séparés associés à un ou plusieurs caissons de grave – fig. 3

Processeur avec amplificateurs de puissance intégrés associant un ou plusieurs caissons de grave :
– avec sortie caisson de grave de type Ligne – fig. 4
– avec sortie caisson de grave de type niveau haut-parleurs – fig. 5

Application : audio 2 canaux

Préamplificateur et amplificateur de puissance séparés :
– Signal large bande vers les satellites et :
– un caisson de grave – fig. 6
– deux caissons de grave – fig. 7
– Signal filtré (passe-haut) vers les satellites et :
– un caisson de grave – fig. 8
– deux caissons de grave – fig. 9

Amplificateur intégré :
– Signal large bande vers les satellites et :
– un caisson de grave – fig. 10
– deux caissons de grave – fig. 11
– Signal filtré (passe-haut) vers les satellites et :
– un caisson de grave – fig. 12
– deux caissons de grave – fig. 13

Utilisation de plusieurs caissons de grave

L'utilisation de plus d'un caisson de grave dans une installation peut améliorer les performances sonores de la manière suivante :

- En maintenant la séparation stéréophonique jusque dans les fréquences les plus graves.
- Meilleure adaptation dans les pièces les plus grandes.
- En permettant des niveaux sonores plus élevés – souvent nécessaire avec les bandes sonores des films les plus modernes.
- En lissant les éventuelles résonances de la pièce dans le grave.

Si vous utilisez deux caissons de grave dans une installation audio purement stéréophonique, la séparation des canaux

est améliorée par la présence des deux caissons de grave indépendants, chacun étant placé près de l'enceinte principale correspondante. N'utilisez le branchement monophonique de la figure 8 que si vous ne pouvez pas installer chacun des caissons de grave près de son enceinte correspondante.

Double vérification des branchements

VÉRIFIEZ QUE LA TENSION SECTEUR INDIQUÉE À L'ARRIÈRE DU CAISSON DE GRAVE EST BIEN CONFORME À CELLE DE VOTRE INSTALLATION ÉLECTRIQUE.

Avant d'écouter les nouvelles performances sonores de votre installation, et de procéder à son optimisation, vérifiez deux fois tous les branchements. La plupart du temps, les plaintes des utilisateurs concernant un mauvais fonctionnement concernent l'existence d'un mauvais branchement. C'est pourquoi nous vous conseillons de vérifier, et ce au moins à deux reprises :

- Que la mise en phase est correcte – il ne doit pas y avoir d'intervention des câbles positifs (bornes « + » et rouge) et négatifs (bornes « - » et noires) sur les branchements de toutes les enceintes acoustiques. Qu'un seul câble soit inversé, et le son risque bien d'être déséquilibré, avec une image instable et « flottante », un manque de grave ou l'association de ces deux défauts.
- Qu'il n'y ait pas non plus d'intervention entre les canaux gauche et droit. Le résultat sera, par exemple pour un orchestre, l'inversion de la position normale des pupitres ou, encore plus désastreux, dans une reproduction Home Cinema, l'inversion de la direction du son par rapport aux objets en déplacement sur l'image !

Allumage et extinction du caisson de grave

Nous vous recommandons d'allumer toujours le caisson de grave en premier, avant les amplificateurs de puissance recevant leur signal d'entrée par son intermédiaire. De même, lors de l'extinction de ces appareils, terminez par le caisson de grave.

Le sélecteur repéré MODE On/Auto (8) et l'indicateur lumineux correspondant (9) fonctionnent de la manière suivante :

Position « On » :

Lorsque le sélecteur est dans cette position, l'amplificateur intégré reste en permanence sous tension ; la diode s'allume en vert.

Position « Auto » :

La première fois que le sélecteur est placé sur cette position « Auto », l'amplificateur intégré est pleinement actif et la diode s'allume en vert (9). Après une période de 5 minutes sans aucun signal à l'entrée, l'amplificateur se place automatiquement en mode de veille Standby, et la diode devient rouge. Lorsqu'un signal sera détecté à l'entrée, l'amplificateur redevient

automatiquement pleinement actif, avec la diode s'allumant de nouveau en vert.

Position préliminaire des commandes

Il y a cinq contrôles différents à prendre en considération :

- Le contrôle de VOLUME (10)
- Le réglage de fréquence de coupure du filtre passe-bas « LOW-PASS FILTER » (5)
- Le sélecteur de filtre passe-bas LOW-PASS FILTER (7)
- Le sélecteur de PHASE (6)
- Le commutateur d'égalisation EQ (4)

Les réglages corrects dépendent des autres maillons utilisés avec le caisson de grave. Si vous utilisez plusieurs caissons de grave, assurez-vous qu'ils sont bien réglés de la même manière.

Home Cinema

Ce caisson de grave n'est pas agréé THX®, mais il peut tout de même être utilisé avec un processeur agréé THX®.

- Réglez tout d'abord le contrôle VOLUME sur la position « 9 heures ».
- Mettez le filtre passe-bas LOW-PASS FILTER hors circuit (OUT).
- Placez le sélecteur EQ sur sa position A.
- Laissez le sélecteur de PHASE sur sa position 0°.
- Le réglage de la fréquence de coupure du filtre passe-bas est alors sans objet.

Voir ensuite le paragraphe « Optimisation des réglages ».

Si vous possédez un processeur agréé THX®, vérifiez que la fonction « subwoofer » est bien activée dans les réglages de ce dernier. Le processeur intègre alors tous les filtrages et réglages de niveau nécessaires pour la configuration optimale du caisson de grave. Pour l'égalisation correcte du niveau de toutes les enceintes, le signal test et les réglages intégrés au processeur agréé THX® doivent être utilisés. Dans tous les cas, le niveau à obtenir pour tous les canaux, lors de cette mesure, est de 75 dB SPL (pondération C), relevé à la position d'écoute principale privilégiée, à partir du signal test interne du processeur.

Avec tous les autres processeurs, configurez tout d'abord les autres enceintes en « large » (large bande) ou « small » (réponse volontairement limitée dans le grave), suivant leur taille et leurs caractéristiques propres. Utilisez le signal test et les réglages de niveaux intégrés au processeur pour effectuer cette égalisation du niveau de tous les canaux. Vous ne modifierez le réglage VOLUME du caisson de grave que si la gamme de réglage proposée par le processeur n'apparaît pas suffisante pour obtenir le niveau d'égalisation optimal.

Pour effectuer cette mesure, des sonomètres peu coûteux sont désormais disponibles dans les magasins spécialisés en électronique (notamment en VPC). Ils

s'avèrent extrêmement pratiques pour une égalisation parfaite. Reportez-vous au manuel d'utilisation de votre processeur pour de plus amples détails sur cette procédure d'égalisation indispensable.

Audio 2 canaux

- Réglez tout d'abord le contrôle VOLUME sur la position « 9 heures ».
- Mettez le filtre passe-bas LOW-PASS FILTER en fonctionnement (IN).
- Placez le sélecteur EQ sur sa position A.
- Laissez le sélecteur de PHASE sur sa position 180°.

Si vous avez configuré les enceintes en large bande (Large) (fig. 6, 7, 10, 11).

- Réglez la fréquence de coupure du filtre passe-bas LOW-PASS FILTER à la fréquence où la courbe de réponse de vos enceintes acoustiques, dans le grave, présente une atténuation de -6 dB par rapport au niveau normal 0 dB.

Les spécifications de toutes les enceintes acoustiques B&W précisent ces valeurs à -3 et -6 dB. Si malheureusement le constructeur de vos enceintes acoustiques ne donne la valeur qu'à -3 dB (ce qui est fréquent), sachez que la fréquence de coupure LOW-PASS FILTER à retenir se situe entre 0,6 et 0,9 fois la valeur de cette fréquence à -3 dB, suivant la rapidité de l'atténuation dans le grave de l'enceinte. Plus celle-ci est lente, plus la valeur de la fréquence de coupure choisie doit être basse.

Si vous avez configuré les enceintes en « small » (réponse volontairement limitée dans le grave) (fig. 8, 9, 12, 13)

- Réglez la fréquence de coupure LOW-PASS FILTER sur 80 Hz.

Voir ensuite le paragraphe « Optimisation des réglages ».

Optimisation des réglages

Home Cinema

Dans les applications Home Cinema, le signal de grave LFE est totalement indépendant des signaux reproduits par les autres enceintes de l'installation. Le filtre passe-bas intégré LOW-PASS FILTER est donc laissé hors service, puisque tous les réglages sont directement effectués dans les menus de paramétrage du processeur, même et surtout lors de la déclaration en mode « small » des enceintes. Cependant, le réglage PHASE du caisson de grave peut être important. Normalement, on le laisse sur la position 0°. Mais si le caisson de grave est placé dans une position très éloignée des enceintes frontales, ou si les amplificateurs de puissance qui alimentent celles-ci sont inverseurs de phase, la position 180° peut être préférable. La manière la plus simple de régler la PHASE est d'écouter le résultat dans les deux positions, 0 et 180°, et de choisir celle qui vous semble donner les meilleurs résultats. S'il n'y a qu'une petite différence, laissez le sélecteur sur la position 0°.

Les processeurs Surround intègrent normalement un générateur de signal test qui permet d'équilibrer le signal sonore fourni par toutes les enceintes acoustiques de l'installation Home Cinema. Cela permet d'obtenir un équilibre encore plus précis qu'en reproduction sonore 2 canaux ! Mais n'hésitez pas ensuite à modifier ces réglages théoriques en fonction de vos goûts personnels. Il est très tentant de se laisser emporter par les possibilités étonnantes d'un caisson de grave, notamment vis-à-vis des effets spéciaux contenus sur les bandes sonores de certains films récents. Mais, à l'usage, après avoir acquis une certaine expérience, il y a fort à parier que vous retoucherez le réglage de niveau du caisson de grave au-dessous de la valeur théorique normale...

Audio 2 canaux

Les réglages optimaux du sélecteur de PHASE et de la fréquence de coupure du filtre passe-bas LOW-PASS FILTER sont interactifs et dépendent aussi étroitement de la pente descendante de la réponse dans le grave des enceintes principales. Les modes de réglage indiqués ici pour la fréquence de coupure et le réglage de phase ont été choisis pour s'adapter à la majorité des principes de charge des enceintes, closes ou bass-reflex, en prenant en compte la valeur de la fréquence où la courbe de réponse atteint -6 dB par rapport au niveau nominal des enceintes.

Si vous renvoyez le signal aux enceintes via le filtre passe-haut intégré dans le caisson de grave, il peut être intéressant de choisir une fréquence de coupure inférieure à la valeur choisie de 80 Hz, notamment si la fréquence reproduite par les enceintes, à un niveau de -3 dB, est inférieure à 80 Hz. Ou inversement de choisir une fréquence supérieure à 80 Hz si les enceintes présentent une atténuation de leur courbe de réponse intervenant avant 80 Hz, à -3 dB.

Commencez par régler le caisson de grave tel qu'indiqué plus haut, puis écoutez plusieurs programmes contenant un niveau de grave important.

En utilisant ces réglages de base, commencez par vérifier la bonne position du réglage de PHASE. Choisissez la position qui vous semble donner le son le plus « plein » et le plus riche dans le grave. Normalement, c'est la position 0°, mais l'inversion peut être nécessaire dans certains cas, comme la présence d'amplificateurs inverseurs de phase pour les enceintes principales, ou encore un positionnement du caisson de grave très éloigné de ces dernières.

Ensuite, réglez le niveau relatif du caisson de grave par rapport aux enceintes. Utilisez le plus possible de programmes musicaux pour déterminer ce niveau optimal, selon vos goûts personnels. Un niveau qui vous paraît normal pour tel ou tel enregistrement peut s'avérer trop fort pour tel ou tel autre. Faites aussi vos expérimentations au niveau normal d'écoute, car les résultats varient également en fonction du niveau sonore global.

Enfin, choisissez la fréquence de coupure du filtre passe-bas LOW-PASS FILTER afin d'obtenir la transition la plus douce possible entre le caisson de grave et les enceintes. C'est certainement le réglage le plus difficile à obtenir parfaitement.

Toutes applications

Le sélecteur d'égalisation EQ modifie la pente d'intervention du caisson de grave. Le grave que vous entendez est la combinaison du son émis par le caisson de grave et des résonances créées dans la pièce. Il est donc important de choisir pour le caisson une position dans la pièce qui lui permette au mieux de se fondre avec l'acoustique propre de cette dernière. La position « A » de la commande EQ permet de placer le caisson dans un angle de la pièce, ou de compenser plus facilement une pièce particulièrement sensible aux résonances dans le grave. La position « B » est mieux adaptée à des pièces acoustiquement très « propres », ou lorsque le caisson peut être placé loin des murs et de leurs angles.

Si vous constatez des problèmes, avec un grave indésirable et omniprésent – ou si certaines notes graves vous semblent plus exagérées que d'autres – vous avez certainement un problème d'interface acoustique entre le caisson de grave et le local proprement dit. La seule solution consiste à déplacer le caisson de grave jusqu'à trouver une position plus adéquate. Un changement mineur – parfois seulement une quinzaine de centimètres – peut avoir une influence très importante sur les résultats. En règle générale, essayez de bien découpler le caisson de grave du sol, ou de modifier sa position latéralement. L'utilisation de plusieurs caissons de grave est une autre solution souvent très positive, car elle a pour effet de lisser les résonances de la pièce d'écoute : chaque caisson de grave a en effet tendance à exciter des fréquences de résonance différentes. Si vous modifiez la distance entre le(s) caisson(s) de grave et les enceintes, il peut être nécessaire de changer le réglage de phase, et également de rectifier légèrement le niveau de sortie du (des) caisson(s) de grave ; vous utiliserez pour ce faire soit les réglages intégrés au processeur Surround, soit directement la commande VOLUME de ce(s) dernier(s), mais seulement après avoir correctement réglé la phase.

Lorsque vous utilisez plus d'un caisson de grave, toujours s'assurer que leurs réglages de filtre passe-bas LOW-PASS FILTER et de PHASE sont absolument identiques.

Entretien du caisson de grave

Le coffret du caisson de grave peut être dépoussiéré avec un chiffon sec et doux. Si vous désirez utiliser un nettoyant en aérosol, ne dirigez pas le jet de ce dernier directement sur le caisson de grave : imbibez uniquement le chiffon. Retirez tout d'abord le cache frontal en tissu pour éviter de le couvrir de peluches, mais faites ensuite attention à ne pas abîmer le haut-parleur. Le cache frontal peut être nettoyé en utilisant une brosse très douce.

N'utilisez pas le caisson de grave comme

une table basse ! Lorsqu'il fonctionne, les objets éventuellement posés dessus peuvent tomber. Prenez garde notamment à ne pas renverser de liquide dessus (vases, verres, etc.).

Si vous ne l'utilisez pas pendant une longue période, débranchez le caisson de grave de son alimentation secteur.

Deutsch

Garantie

Sehr geehrte Kundin, sehr geehrter Kunde, willkommen bei B&W.

Dieses Produkt wurde nach den höchsten Qualitätsstandards entwickelt und hergestellt. Sollte dennoch der unwahrscheinliche Fall eintreten, dass Sie als Kunde Grund zur Reklamation haben, werden B&W Loudspeakers und seine nationalen Vertriebsgesellschaften das fehlerhafte Produkt ohne Berechnung der Arbeits- und Materialkosten (abgesehen von einigen Ausnahmen) in jedem Land, in dem eine offizielle B&W-Vertriebsgesellschaft vertreten ist, reparieren.

Die Garantiezeit beträgt fünf Jahre ab Kaufdatum bzw. zwei Jahre auf Aktivlautsprecher und elektronische Bauteile.

Garantiebedingungen

- Die Garantie ist auf die Reparatur der Geräte beschränkt. Weder der Transport noch sonstige Kosten, noch das Risiko des Ausbaus, des Transports und der Installation der Produkte wird von dieser Garantie abgedeckt.
- Diese Garantie gilt nur für den Originalbesitzer. Sie ist nicht übertragbar.
- Diese Garantie ist nur dann gültig, wenn zum Zeitpunkt des Kaufs Fabrikations- und/oder Materialfehler vorliegen und nicht:
 - bei Schäden durch unfachmännische Installation, falsches Anschließen oder unsachgemäßes Verpacken,
 - bei Schäden, die auf einen nicht in der Bedienungsanleitung genannten Einsatzzweck, auf Fahrflüssigkeit, Modifikationen oder die Verwendung von Teilen zurückzuführen sind, die nicht von B&W hergestellt bzw. zugelassen wurden,
 - bei Schäden durch defekte oder ungeeignete Zusatzgeräte,
 - bei Schäden durch Unfälle, Blitzschlag, Wasser, Feuer, Hitze, Krieg, öffentliche Unruhen oder sonstige Ereignisse, die nicht der Kontrolle von B&W und seinen Vertriebsgesellschaften unterliegen,
 - für Produkte, deren Seriennummern geändert, gelöscht, entfernt oder unleserlich gemacht wurden,
 - wenn Reparaturen oder Modifikationen von einem Nichtfachmann durchgeführt wurden.
- Diese Garantie ergänzt die nationalen/regionalen gesetzlichen Verpflichtungen der Händler bzw. der nationalen Vertriebsgesellschaften und schränkt in keiner Weise die gesetzlichen Rechte, die Sie als Kunde haben, ein.

Inanspruchnahme von Garantieleistungen

Sollten Sie unseren Service in Anspruch nehmen müssen, gehen Sie bitte folgendermaßen vor:

- Befindet sich das Gerät in dem Land, in dem Sie es gekauft haben, setzen Sie sich mit Ihrem autorisierten B&W-Fachhändler in Verbindung.
- Befindet sich das Gerät außerhalb des Landes, in dem Sie es gekauft haben, wenden Sie sich bitte an die nationale B&W-Vertriebsgesellschaft des Landes, in dem Sie leben. Diese wird Ihnen Auskunft darüber geben, wo Sie das Gerät reparieren lassen können. Die Adresse der für das jeweilige Land zuständigen Vertriebsgesellschaft erhalten Sie bei B&W in Großbritannien oder über unsere Website.

Garantieleistungen werden nur erbracht, wenn dieses Garantie-Booklet (vollständig ausgefüllt und mit dem Händlerstempel und dem Kaufdatum versehen) vorgelegt wird. Ist dies nicht möglich, ist als Kaufbeleg die Originalrechnung oder ein anderer Kaufbeleg vorzulegen, aus dem auch das Kaufdatum ersichtlich wird und der Sie als Eigentümer des Gerätes ausweist.

Bedienungsanleitung

WICHTIGE SICHERHEITSHINWEISE



Vorsicht:

Um einem elektrischen Schlag vorzubeugen, sollten Sie niemals das Gehäuse öffnen oder die Abdeckung an der Rückseite ausbauen. Im Innern befinden sich keine vom Bediener zu wartenden Teile. Der Service ist ausschließlich von einem autorisierten B&W-Fachhändler durchzuführen.

Erläuterung der grafischen Symbole:



Das Blitzsymbol innerhalb eines gleichseitigen Dreiecks warnt den Bediener vor „gefährlicher Spannung“ im Gehäuseinnern, deren Höhe für eine Gefährdung von Personen durch einen Stromschlag ausreichend ist.



Das Ausrufungszeichen innerhalb des gleichseitigen Dreiecks macht den Benutzer auf wichtige Bedienungs- und Wartungsvorschriften in der Bedienungsanleitung aufmerksam.

ACHTUNG:

- Bitte lesen Sie sich alle Sicherheits- und Bedienungsvorschriften vor der Inbetriebnahme des Gerätes in Ruhe durch.
- Bewahren Sie diese Bedienungsanleitung für eine spätere Wiederverwendung gut auf.
- Alle Warnhinweise auf dem Gerät und in der Bedienungsanleitung sind genau zu beachten.
- Befolgen Sie strengstens alle Bedienungs- und Nutzungsvorschriften.
- Stromquellen – Das Gerät ist nur an die auf der Geräterückseite angegebenen Stromquellen anzuschließen. Sollten Sie sich diesbezüglich nicht sicher sein, fragen Sie Ihren autorisierten Fachhändler oder wenden Sie sich an die örtliche Stromgesellschaft.
- Erdsungs- bzw. Polarisationsvorschriften – Das Gerät muss nicht geerdet werden. Schließen Sie es nur mit dem dazugehörigen zweipoligen Netzkabel an die Wandsteckdose an. Modifizieren Sie das Netzkabel auf keinen Fall. Versuchen Sie nicht, die Erdsungs- und/oder Polarisationsvorschriften zu umgehen. Das Netzkabel ist an eine zweipolige Wandsteckdose anzuschließen.
- Schutz des Stromkabels – Netzkabel sind so zu verlegen, dass sie nicht beschädigt werden können (z.B. durch Trittbelastung, Möbelstücke oder Erwärmung). Besondere Vorsicht ist dabei an den Steckern, Verteilern und den Anschlussstellen des Gerätes geboten.
- Überlastung – Vermeiden Sie eine Überlastung der Wandsteckdosen, Verlängerungskabel usw., um Feuer oder einem elektrischen Schlag vorzubeugen.
- Belüftung – Die Verstärkerabdeckung an der Geräterückseite ist Bestandteil eines Kühlungs-systems und darf daher nicht verdeckt werden. Stellen Sie das Gerät daher weder auf ein Bett, Sofa, Teppich oder ähnliche Oberflächen. Stellen Sie sicher, dass die Kühlrippen vertikal ausgerichtet sind, um eine ausreichende Kühlung zu gewährleisten. Das Gerät sollte nur dann in einem Regal oder in einem Schrank untergebracht werden, wenn eine ausreichende Luftzirkulation gewährleistet ist bzw. die Anweisungen des Herstellers befolgt werden.
- Wärme – Stellen Sie das Gerät nicht in die Nähe von Wärmequellen (Heizkörper, Wärmespeicher, Öfen oder sonstige wärmeerzeugende Geräte wie z.B. Verstärker).
- Anbringung an Wand oder Decke – Das Gerät sollte nur wie vom Hersteller empfohlen an Wand oder Decke angebracht werden.
- Wasser und Feuchtigkeit – Um der Gefahr eines Stromschlags

- vorzubeugen, sollte das Gerät niemals in der Nähe von Wasser, z.B. in der Nähe einer Badewanne, einer Spüle oder eines Swimmingpools, in Betrieb genommen werden.
- 13 Eindringen von Gegenständen und Flüssigkeit – Um die Gefahr von Feuer oder eines elektrischen Schlags auszuschließen, dürfen keine Fremdkörper oder Flüssigkeiten in das Gehäuse gelangen. Stellen Sie keine mit Flüssigkeit gefüllten Gegenstände auf das Gerät.
- 14 Reinigung – Ziehen Sie vor dem Reinigen des Gerätes den Netzstecker. Lesen Sie sich vorher die Hinweise zur Reinigung in Abschnitt „Pflege“ durch.
- 15 Befestigungen – Verwenden Sie ausschließlich Befestigungsmöglichkeiten, die vom Hersteller empfohlen werden, da es ansonsten zu Störungen kommen kann.
- 16 Zubehör – Stellen Sie das Gerät nicht auf eine instabile Sackkarre, einen instabilen Ständer, einen Dreifuß, eine Halterung oder einen Tisch. Durch ein herunterfallendes Gerät können Kinder und Erwachsene schwer verletzt und das Gerät stark beschädigt werden. Verwenden Sie für den Transport oder das Aufstellen des Gerätes nur vom Hersteller empfohlenes Zubehör oder solches, das mit dem Produkt verkauft wird. Montieren Sie das Gerät nur entsprechend den vom Händler gegebenen Hinweisen und verwenden Sie ausschließlich vom Hersteller empfohlenes Zubehör.
- 17 Transport – Das Gerät sollte mit größter Vorsicht auf einer Sackkarre transportiert werden. Ruckartige Anhalten, übermäßiger Kraftaufwand und unebene Oberflächen können zu einem Umfallen von Sackkarre samt Gerät führen. Stellen Sie sicher, dass sich unter dem Teppich keine Kabel befinden, die durch die Spikes beschädigt werden könnten. Bewegen Sie das Gerät nicht auf den Spikes, da diese sich hierbei vom Gehäuse lösen können. Dies kann zu Beschädigungen führen. Achten Sie darauf, dass Sie sich beim Heben des Gerätes nicht an den Spikes verletzen.
- 18 Phasen der Nichtbenutzung – Sollten Sie das Gerät für eine längere Zeit nicht in Betrieb nehmen, ziehen Sie den Netzstecker aus der Steckdose.
- 19 Service – Außer den in der Bedienungsanleitung beschriebenen Handgriffen sollten vom Bediener keine Arbeiten am Gerät vorgenommen werden. Das Gerät ist ausschließlich von einem qualifizierten Fachmann zu öffnen und zu reparieren.
- 20 Durch geschultes Fachpersonal zu reparierende Schäden – Schalten Sie das Gerät sofort aus und ziehen Sie geschultes Personal zu Rate, wenn:
- das Netzkabel oder der Stecker beschädigt sind.
 - Gegenstände bzw. Flüssigkeit in

das Gerät gelangt sind.

- das Gerät Regen ausgesetzt war.
- das Gerät trotz Beachten der Bedienungshinweise nicht ordnungsgemäß funktioniert. Stellen Sie nur die Bedienelemente ein, die in der Anleitung entsprechend ausgewiesen sind. Ein nicht ordnungsgemäßes Einstellen anderer Bedienelemente kann zu Schäden führen, die anschließend von einem qualifizierten Techniker behoben werden müssen, um das Gerät in seinen normalen Betriebszustand zurückzusetzen.
- das Gerät hingefallen ist bzw. beschädigt wurde.
- das Gerät nicht ordnungsgemäß funktioniert bzw. eine deutliche Leistungsminderung aufweist.

21 Ersatzteile – Werden Ersatzteile benötigt, vergewissern Sie sich, dass der Servicetechniker die vom Hersteller empfohlenen Teile verwendet, oder solche, die dieselben Spezifikationen aufweisen wie das Originalteil. Nicht zugelassene Ersatzteile können zu Feuer, einem elektrischen Schlag oder sonstigen Gefahren führen.

22 Im Innern des Verstärkers befinden sich Netzsicherungen. Diese sollten nur von einem autorisierten B&W-Fachhändler gewechselt werden. Beim Austausch dürfen nur Sicherungen des gleichen Typs mit den gleichen Nenndaten verwendet werden.

23 Sicherheitsprüfung – Nach Beendigung der Service- bzw. Reparaturarbeiten bitten Sie den Servicetechniker, eine Sicherheitsprüfung durchzuführen. Dadurch wird sichergestellt, dass das Gerät ordnungsgemäß funktioniert.

24 Magnetische Streufelder – Das Gerät erzeugt ein magnetisches Streufeld. Daher empfehlen wir, einen Mindestabstand von 0,5 m zwischen magnetisch empfindlichen Artikeln (Fernseh- und Computerbildschirmen, mechanischen Armbanduhren, Audio- und Videobändern usw.) und Lautsprecher zu bewahren.

Einleitung

Vielen Dank, dass Sie sich für diesen aktiven Subwoofer von B&W entschieden haben.

Seit der Gründung 1966 war B&Ws oberstes Anliegen die perfekte Klangwiedergabe. Inspiriert durch den Firmengründer John Bowers wird diesem Streben nicht nur durch hohe Investitionen in die Audio-Technologie und stetige Innovationen Rechnung getragen, sondern auch durch die Liebe zur Musik, um sicherzustellen, dass die Technologie auch in neuen Anwendungsbereichen wie HiFi-Cinema optimal eingesetzt wird.

Dieser Subwoofer ist für HiFi-Cinema-Anwendungen geeignet. In 2-Kanal-Audio-Anwendungen besteht seine Aufgabe darin, die Tieftonleistung von „Full-Range“-Lautsprechern, d.h. Lautsprechern, die das komplette Klangspektrum abdecken, zu

steigern. Die Verwendung dieses Subwoofers erweitert nicht nur den Bass im Tieftonbereich, sondern verbessert auch die Transparenz im Mitteltonbereich durch Entlastung der anderen Lautsprecher im Tieftonbereich.

Bitte lesen Sie sich diese Bedienungsanleitung vor Inbetriebnahme des Subwoofers aufmerksam durch. Das Aufstellen von Beschallungsanlagen verlangt einige Planung und Experimentierfreudigkeit, wenn Sie das bestmögliche Ergebnis erzielen möchten. Diese Bedienungsanleitung wird Ihnen dabei helfen.

Bevor Sie den Subwoofer an das Netz anschließen, sollten Sie mit den Sicherheitshinweisen vertraut sein. Beachten Sie alle Warnhinweise.

Bewahren Sie diese Bedienungsanleitung sorgfältig auf.

B&W liefert in über 60 Länder und verfügt weltweit über ein Netz erfahrener Distributoren, die Ihnen zusammen mit den autorisierten B&W-Fachhändlern weiterhelfen, um Ihnen den Musikgenuss zu Hause zu ermöglichen.

Auspacken (Abbildung 1)

Um ein beschädigungsfreies Auspacken des Subwoofers sicherzustellen, sollten Sie folgendermaßen vorgehen:

- Klappen Sie die Kartonlaschen nach hinten und drehen Sie Karton samt Inhalt um.
- Ziehen Sie den Karton vom Inhalt ab.

Wir empfehlen, die Verpackung für einen eventuellen späteren Transport aufzubewahren.

Neben dieser Bedienungsanleitung enthält der Karton:

- 1 Subwoofer
- 4 Gummifüße (können eingeschraubt werden)
- 4 Spikes mit Sicherungsmuttern (können eingeschraubt werden)
- 1 International Warranty Booklet (Hinweise zur Garantie, mehrsprachig)

Ausstattungsmerkmale des

Subwoofers (Abbildung 2)

- 1 Kühlrippen
- 2 SPEAKER-LEVEL-Anschlüsse
- 3 LINE-LEVEL-Anschlüsse
- 4 Equalisation-Schalter
- 5 Frequenzregelung des Low-Pass-Filters
- 6 PHASE-Schalter
- 7 LOW-PASS FILTER OUT/IN
- 8 MODE AUTO/ON-Schalter
- 9 On/Standby-Anzeige
- 10 Lautstärkeregler
- 11 Netzkabel
- 12 Netzschalter

Die Funktion des Subwoofers

Anwendung: HiFi-Cinema

Die Hauptfunktion des Subwoofers besteht in der Wiedergabe der Signale des LFE(Low Frequency Effects)-Kanals. Darüber hinaus kann der Prozessor so konfiguriert werden, dass der Tiefbassanteil einiger oder aller anderen Kanäle dem LFE-Signal hinzugefügt wird, indem man für diese Lautsprecher beim Setup des Prozessors „small“ („klein“) einstellt.

Anwendung: 2-Kanal-Audio

Der Subwoofer übernimmt die Tieftonarbeit. In den meisten Fällen werden die besten Ergebnisse erzielt, wenn der Low-Pass-Filter aktiviert ist und die Satelliten, wie dies bei direktem Anschluss an die Endstufe der Fall ist, als Full-Range-Lautsprecher betrieben werden und der Subwoofer sie im Tieftonbereich entlastet. Sind die Satellitenlautsprecher sehr klein, kann der Ausgangspegel des Systems durch Überlastung der Basschassis begrenzt sein. Ist dies der Fall, kann durch Nutzung der High-Pass-Filter im Subwoofer der an die Satellitenlautsprecher abgegebene Bass begrenzt werden.

Positionieren des Subwoofers

Da der Subwoofer ausschließlich Bässe produziert, die grundsätzlich weniger Richtungsinformation enthalten, ist seine Positionierung in gewisser Hinsicht nicht so schwierig wie die von Full-Range-Lautsprechern. Die besten Resultate erhalten Sie, wenn der Subwoofer zwischen die Satellitenlautsprecher oder in die Nähe eines Satellitenlautsprechers gestellt wird. Bei Verwendung von zwei Subwoofern sollte jeweils einer neben einem Satellitenlautsprecher stehen.

Eine Platzierung des Subwoofers hinter den Zuhörern führt im allgemeinen zu einer Verschlechterung des Klangbildes. Dies gilt auch für Surroundanwendungen. Jedoch kann hierin ein akzeptabler Kompromiss bestehen, falls die örtlichen Gegebenheiten es nicht anders zulassen.

Wie bei allen Lautsprechern, wird die Klangqualität des Subwoofers durch die Nähe von Wänden beeinflusst. Der Bass wird stets intensiver, je größer die Oberflächen in nächster Nähe der Lautsprecher sind. Im Gegensatz zu Full-Range-Lautsprechern kann die Klangbalance des Gesamtsystems einfach durch Einstellen des Subwoofer-Lautstärkereglers optimiert werden. Je größer die Verstärkung durch den Raum, desto weniger muss der Subwoofer leisten. Jedoch hat dies nicht nur Vorteile. So werden tiefe Raumresonanzen durch die Platzierung in den Ecken eines Raumes verstärkt, wodurch die Tieftonwiedergabe nicht im Einklang mit der Frequenz steht. Letztendlich gibt es kein Patentrezept, da sich der Klang mit dem Raum verändert. Daher sollten Sie mehrere Positionen ausprobieren, bevor Sie Ihre Entscheidung treffen. Ein Musikstück mit längeren, variierenden Basspassagen erleichtert die Einstellung, um schließlich eine erstklassige Basswiedergabe sicherzustellen. Achten Sie auf betonte oder ruhigere Passagen. Durch die Verwendung eines weiteren

Subwoofers kann der Klang der Anlage im Hinblick auf Raumresonanzen optimiert werden, und zwar unabhängig von der Platzierung der Satellitenlautsprecher zur Verbesserung des Klangbildes.

Wird der Subwoofer auf begrenztem Raum betrieben (z.B. in speziellem Mobiliar), muss für eine ausreichende Belüftung des Gerätes gesorgt werden. Lassen Sie sich von Ihrem autorisierten Fachhändler beraten.

Zum Lieferumfang des Subwoofers gehören vier Spikes. Die Spikes bohren sich durch Teppichboden und liegen direkt auf dem Boden auf. Ohne Beschädigungen hervorzurufen, verleihen Sie dem Subwoofer eine hervorragende Standfestigkeit.

Steht das Gerät auf einer empfindlichen Oberfläche, wie z.B. auf einem Holzfußboden, legen Sie entweder eine Schutzscheibe unter die Spikes oder bringen anstelle der Spikes die vier Gummifüße an. Beim Anbringen der Gummifüße bzw. Spikes schrauben Sie zunächst die Sicherungsmuttern vollständig auf das Gewinde und anschließend die Füße in die Gewindebohrungen im Gehäuseboden.

Steht das Gerät instabil, lösen Sie die beiden betreffenden, gegenüberliegenden Füße, bis die optimale Standfestigkeit erreicht ist. Ziehen Sie die Sicherungsmuttern anschließend gegen die Bohrung fest.

Elektrische Anschlüsse

Die zum System gehörenden Geräte sollten zunächst untereinander verbunden werden (achten Sie dabei auf die korrekte Polarität der Anschlüsse), bevor die Anlage ans Stromnetz angeschlossen wird. Dadurch können Beschädigungen vermieden werden.

An der Geräterückseite verfügt der Subwoofer über Line-Level- und Speaker-Level-Anschlussmöglichkeiten.

Die folgenden Hinweise helfen Ihnen beim Anschließen Ihrer Anlage:

Anwendung: HiFi-Cinema

Prozessor mit separaten Endstufen und Anschluss von einem oder mehreren Subwoofern – Abbildung 3

Prozessoren mit eingebauten Endstufen zum Anschluss von einem oder mehreren Subwoofern:

- mit Line-Level-Subwooferausgang – Abb. 4
- mit Speaker-Level-Subwooferausgang – Abb. 5

Anwendung: 2-Kanal-Audio

Separate Vor- und Endstufen:
– Full-Range-Signal zu den Satellitenlautsprechern und:
– ein Subwoofer – Abb. 6
– zwei Subwoofer – Abb. 7
– Hochpasssignal zu den Satellitenlautsprechern und:
– ein Subwoofer – Abb. 8
– zwei Subwoofer – Abb. 9

Vollverstärker:

- Full-Range-Signal zu den Satellitenlautsprechern und:
– ein Subwoofer – Abb. 10
– zwei Subwoofer – Abb. 11
– Hochpasssignal zu den Satellitenlautsprechern und:
– ein Subwoofer – Abb. 12
– zwei Subwoofer – Abb. 13

Einsatz von mehr als einem Subwoofer

Durch die Verwendung mehr als eines Subwoofers in einem einzigen System kann die Leistung gesteigert werden:

- Durch präzise Stereokanaltrennung bis hin zu tiefsten Frequenzen.
- In größeren Hörräumen.
- Durch verbesserte maximale Klangleistung – dies ist oftmals sinnvoll bei der Wiedergabe von Spezialeffekten in HiFi-Cinema-Anwendungen.
- Durch Klangoptimierung im Hinblick auf Raumresonanzen.

Bei Verwendung von zwei Subwoofern für 2-Kanal-Audio wird die Stereokanaltrennung verbessert, wenn jeder Kanal seinen eigenen Subwoofer besitzt. Wichtig ist hierbei, dass jeder Subwoofer in der Nähe des jeweiligen Satellitenlautsprechers aufgestellt wird. Schließen Sie die Subwoofer wie in Abbildung 8 dargestellt an, wenn Sie die Subwoofer nicht in der Nähe des jeweiligen Satellitenlautsprechers unterbringen können.

Prüfen der Anschlüsse

VERGEWISSERN SIE SICH, DASS DIE AUF DEM VERSTÄRKER ANGEBEBENE SPANNUNG DER NETZSPANNUNG ENTSPRICHT.

Bevor Sie mit der Klangoptimierung Ihres neuen Systems beginnen und die Komponenten aufeinander abstimmen, sollten Sie noch einmal die Anschlüsse prüfen. Ist der Klang des Systems nicht optimal, obwohl die Bedienelemente des Gerätes richtig eingestellt wurden, so kann es sein, dass ein Gerät einfach nicht korrekt angeschlossen wurde. Stellen Sie daher sicher, dass:

- die Polarität korrekt ist. Verbinden Sie die positiven Anschlussklemmen der Satellitenlautsprecher stets mit den positiven Anschlüssen am Verstärker und die negativen Anschlussklemmen an den Satellitenlautsprechern mit den negativen Anschlüssen am Verstärker. Ansonsten ist der Klang unpräzise mit einem ungenauen Klangbild, schwachem Bass bzw. einer Kombination aus beidem.
- die Signale aus dem rechten und linken Kanal nicht vermischt werden – das kann z.B. dazu führen, dass die Musik eines Orchesters genau seitenverkehrt wahrgenommen wird oder, was noch schlimmer ist, dass der Ton aus Ihrer HiFi-Cinema-Anlage nicht zur Handlung auf dem Bildschirm passt.

Ein- und Ausschalten

Wir empfehlen Ihnen, den Subwoofer einzuschalten, bevor die Verstärker Signale vom Subwoofer erhalten. Entsprechend sollte der Subwoofer als letztes Gerät ausgeschaltet werden.

Der MODE AUTO/ON-Schalter (8) und die On/Standby-Anzeige (9) funktionieren wie folgt:

On:

Befindet sich der Schalter in dieser Position, ist der Verstärker permanent eingeschaltet. Die Anzeige leuchtet grün.

Auto:

In der Auto-Position wird der Verstärker vollständig aktiviert und die Anzeige (9) leuchtet grün. Liegt 5 Minuten lang kein Eingangssignal an, schaltet der Verstärker automatisch in den Standby-Modus. Die Anzeige leuchtet rot. Bei Empfang eines Eingangssignals wird der Verstärker automatisch aktiviert. Die Anzeige leuchtet grün.

Einstellen der Regler/Schalter

Es stehen fünf Regler/Schalter zur Verfügung:

- Lautstärkeregler (10)
- Regler zur Einstellung der Low-Pass-Filterfrequenz (5)
- LOW-PASS FILTER-Schalter (7)
- PHASE-Schalter (6)
- EQ(qualisation)-Schalter (4)

Die optimale Einstellung hängt von den jeweils mit dem Subwoofer kombinierten Geräten ab. Stellen Sie bei Verwendung von mehr als einem Subwoofer sicher, dass die Regler und Schalter bei allen Subwoofern gleich eingestellt sind.

Kombination mit HiFi-Cinema-Processoren

Der Subwoofer ist nicht THX®-lizenzisiert, kann gegebenenfalls aber auch mit einem THX®-Controller verwendet werden.

- Setzen Sie den Lautstärkeregler des Prozessors in die 9-Uhr-Position.
- Setzen Sie den Schalter LOW-PASS FILTER in die Position OUT.
- Setzen Sie den EQ-Schalter zunächst in Position A.
- Setzen Sie den PHASE-Schalter zunächst auf 0 Grad.
- Die Einstellung der Low-Pass-Filterfrequenz spielt keine Rolle.

Siehe auch Abschnitt „Feinabstimmung“ unten.

Stellen Sie bei Verwendung eines THX®-Controllers sicher, dass die Subwoofer-Funktion aktiviert ist. Bei dieser Einstellung ist gewährleistet, dass alle für den Subwoofer erforderlichen Filter- und Pegelinstellungen in allen Modi verfügbar sind. Zur Pegelinstellung sollten die Testton- und Kanalpegelinstellungsmöglichkeiten des THX®-Controllers genutzt werden. In allen Fällen sollten die Pegel mit Hilfe des Testtons in Hörposition

auf 75 dB SPL (C-weighting) eingestellt werden.

Bei anderen Prozessoren wählen Sie für die Front- und Surroundlautsprecher die Einstellung „large“ oder „small“, bevor Sie die Pegel einstellen. Nutzen Sie den internen Testton und die Lautstärkeregler des Prozessors, um die Pegel aller Lautsprecher einzustellen. Ändern Sie die Einstellung des Lautstärkereglers am Subwoofer nur, wenn der Prozessor nicht genügend Spielraum zur Einstellung der korrekten Pegel liefert.

Preisgünstige Schallpegelmesser sind in Elektronik-Fachgeschäften erhältlich. Sie sollten zur Pegelinstellung verwendet werden. Der dem Prozessor beiliegenden Bedienungsanleitung können Sie weitere Informationen zur Einstellung der Pegel entnehmen.

Im Modus 2-Kanal-Audio

- Setzen Sie den Lautstärkeregler des Prozessors in die 9-Uhr-Position.
- Setzen Sie den Schalter LOW-PASS FILTER in die Position IN.
- Setzen Sie den EQ-Schalter zunächst in Position A.
- Setzen Sie den PHASE-Schalter zunächst auf 180 Grad.

Bei Einsatz der Satelliten als Full-Range-Lautsprecher (Abbildungen 6, 7, 10, 11)

- Setzen Sie den Frequenzregler des Low-Pass-Filters auf die -6-dB-Trennfrequenz Ihrer Satellitenlautsprecher.

In den Technischen Daten jedes B&W-Lautsprechermodells finden Sie sowohl -3-dB- als auch -6-dB-Angaben. Gibt der Hersteller der Satellitenlautsprecher jedoch keine Frequenz für -6 dB an, sondern nur für -3 dB, liegt die optimale Einstellung für den LOW-PASS-FILTER-Frequenzregler zwischen 0,6 und 0,9 mal die -3-dB-Frequenz.

Satellitenlautsprecher high-passed (Abbildungen 8, 9, 12, 13)

- Setzen Sie den LOW-PASS FILTER-Frequenzregler zunächst auf 80 Hz.

Siehe auch Abschnitt „Feinabstimmung“ unten.

Feinabstimmung

HiFi-Cinema

Das Subwoofer (LFE)-Signal ist ein separater Kanal. Der LOW-PASS-Filter ist ausgeschaltet, da der Prozessor die Filterfunktion für die auf „small“ eingestellten Lautsprecher übernimmt. Es gilt, die optimale Position für den Phase-Schalter zu finden. In der Regel wird der Phase-Schalter auf 0° gesetzt. Steht der Subwoofer relativ weit von den anderen Lautsprechern entfernt oder kehrt er die anderen Lautsprecher antreibende Endverstärker das Signal um, so ist möglicherweise die 180°-Position zu bevorzugen. Setzen Sie den Schalter in beide Positionen und entscheiden Sie sich für die Position, bei der der Klang am vollsten ist. Ist kein deutlicher Unterschied

wahrnehmbar, lassen Sie den Schalter auf 0°.

Surround-Prozessoren verfügen normalerweise über einen eingebauten Testgenerator, der zur Einstellung der relativen Pegel aller Lautsprecher genutzt werden kann. Sie sollten sich jedoch nicht scheuen, die Einstellungen Ihrem persönlichen Geschmack entsprechend zu verändern. Man neigt häufig dazu, sich von den Möglichkeiten, die der Subwoofer (besonders bei Spezialeffekten) bietet, beeindruckt zu lassen. Oftmals ist aber eine realistischere Wiedergabe zufriedenstellender. Dazu sollte die Einstellung des Subwooferpegels unter dem Standardpegel liegen.

2-Kanal-Audio

Es besteht ein Zusammenhang zwischen der optimalen Einstellung des PHASE- und des LOW-PASS-Frequenzreglers, die ferner auch von der Tiefton-Trennfrequenz der Satellitenlautsprecher und der relativen Positionen aller Lautsprecher eines Systems abhängt.

Ist der High-Pass-Filter des Subwoofers für die Satellitenlautsprecher aktiviert, ist eine niedrigere Frequenz als 80 Hz einzustellen, wenn die für -3 dB angegebene Frequenz unter 80 Hz ist und eine höhere, wenn die Frequenz über 80 Hz liegt.

Setzen Sie das System in die von Ihnen bevorzugte Position und spielen Sie Stücke mit kontinuierlichen Basspassagen.

Prüfen Sie zunächst die Einstellung des PHASE-Schalters. Bei korrekter Einstellung klingt der Bass voller. Normalerweise ist die oben angegebene Position optimal, jedoch kann in manchen Fällen auch die andere Position empfehlenswerter sein, wenn z.B. die Line-Level-Anschlüsse genutzt werden und die mit den Satellitenlautsprechern verbundenen Endstufen das Signal umkehren oder die Subwoofer nicht in der Nähe der Satellitenlautsprecher stehen.

Anschließend stellen Sie die Lautstärke des Subwoofers so ein, dass sie im Einklang mit den Satellitensystemen steht. Nutzen Sie dazu eine große Programmbandbreite, um eine optimale Einstellung zu gewährleisten. Was bei einem Stück beeindruckend klingt, kann bei einem anderen als unangenehm empfunden werden. Hören Sie bei normalen Lautstärken, da sich die Wahrnehmung der Balance mit dem Schallpegel verändert.

Nun stellen Sie die LOW-PASS-Filterfrequenz ein, um einen homogenen Übergang zwischen Subwoofer und Satellitenlautsprecher zu erzielen. Dies ist wahrscheinlich die schwierigste Aufgabe.

Alle Anwendungen

Bei der Einstellung des EQ-Schalters ist Folgendes zu beachten: Der Bass, den Sie hören, wird durch die Position des Subwoofers und die Raumeffekte beeinflusst. Sie sollten also die Einstellung wählen, die Ihrem Raum und der Position des Subwoofers am besten gerecht wird. Position A ist besser geeignet, wenn der Subwoofer in einer Ecke steht oder die Verstärkung durch den Raum groß ist,

während im umgekehrten Fall Position B gewählt werden sollte.

Werden bestimmte Basspassagen mehr betont als andere, ist der Klang der Anlage vermutlich nicht optimal an den Raum angepasst. Hierbei lohnt es sich, die Position des Subwoofers solange zu verändern, bis er optimal platziert ist. Selbst kleinste Änderungen in der Position – z.B. 15 cm – können einen erheblichen Einfluss auf den Klang haben. Versuchen Sie, einen Abstand zwischen dem Boden und Subwoofer zu schaffen oder den Subwoofer hin und her zu bewegen. Der Einsatz von mehreren Subwoofern kann die Wirkung von Raumesonanzen mildern, da jeder Subwoofer in unterschiedlichen Frequenzbereichen Resonanzen erzeugen wird. Wird der relative Abstand von Subwoofer(n) zu den Satellitenlautsprechern verändert, kann es unter Umständen erforderlich sein, die Einstellung des Phase-Schalters zu ändern. Ferner ist die Pegelstellung des Subwoofers zu prüfen (entweder über die Ausgangspegel des Prozessors oder die Lautstärkeregelung am Verstärker des Subwoofers), aber erst, nachdem die Phase korrekt eingestellt wurde.

Stellen Sie bei Einsatz von mehr als einem Subwoofer sicher, dass der LOW-PASS-Filterfrequenz-Regler und der PHASE-Schalter bei allen Subwoofern gleich eingestellt sind.

Pflege

Das Subwoofergehäuse kann einfach mit einem trockenen Staubtuch abgewischt werden. Bei Verwendung eines Aerosol-Reinigers sollten Sie diesen zunächst auf ein Tuch sprühen und nicht direkt auf das Gehäuse. Entfernen Sie die Frontabdeckung, indem Sie sie vorsichtig vom Gehäuse abziehen. Achten Sie darauf, dass dabei das Lautsprecherchassis nicht beschädigt wird. Die Frontabdeckung kann mit einer sauberen Bürste gereinigt werden.

Benutzen Sie den Subwoofer nicht als Ablagefläche. Auf der Oberfläche abgestellte Gegenstände können wackeln und so die Klangqualität beeinträchtigen. Besonders Flüssigkeiten (z.B. Getränke oder Blumenvasen mit Wasser) sollten niemals auf den Subwoofer gestellt werden.

Wird Ihr System für längere Zeit nicht in Betrieb genommen, ziehen Sie den Netzstecker aus der Steckdose.

Español

Garantía limitada

Estimado cliente:

Bienvenido a B&W.

Este producto ha sido diseñado y fabricado de acuerdo con las más altas normas de calidad. Sin embargo, si hallara algún defecto en el mismo, B&W Loudspeakers y sus distribuidores nacionales garantizarán, sin coste alguno para usted, la mano de obra (es posible que haya excepciones) y la reposición de piezas en cualquier país donde se cuente con un distribuidor autorizado de B&W.

Esta garantía limitada es válida por un periodo de cinco años desde la fecha de compra (dos años para las partes electrónicas) incluyendo altavoces amplificadores.

Términos y condiciones

- 1 Esta garantía está limitada a la reparación del equipo. La garantía no cubre ni el transporte ni otros costes; tampoco cubre ningún riesgo por traslado, transporte e instalación de los productos.
- 2 La garantía será aplicable exclusivamente para el propietario original. No es transferible.
- 3 Esta garantía tendrá vigencia solamente si se trata de casos de materiales defectuosos y/o de fabricación existentes en el momento de la compra, y no será aplicable en los siguientes casos:
 - a daños causados por instalación, conexión o embalaje inapropiados,
 - b daños causados por un uso que no se corresponda con el uso correcto tal como se describe en el manual del usuario, negligencia, modificaciones o la utilización de piezas no originales de fábrica o no autorizadas por B&W,
 - c daños causados por equipos auxiliares defectuosos o inapropiados,
 - d daños causados por accidentes, relámpagos, agua, incendios, calor, guerra, disturbios sociales u otra causa ajena al control razonable de B&W y de sus distribuidores autorizados,
 - e productos cuyo número de serie haya sido modificado, borrado, retirado o convertido en ilegible,
 - f si una persona no autorizada ha efectuado alguna reparación o modificación en el producto.
- 4 Esta garantía complementa cualquier obligación legal a nivel nacional/regional de concesionarios o distribuidores nacionales y, como cliente, no afecta a sus derechos estatutarios.

Cómo solicitar reparaciones bajo garantía

En caso de ser necesaria alguna revisión, siga el siguiente procedimiento:

- 1 Si está usando el equipo en el país en el que fue adquirido, debería contactar con el detallista autorizado de B&W donde lo adquirió.
- 2 Si el equipo está siendo utilizado fuera del país en el que fue adquirido, debería contactar con el distribuidor nacional de B&W correspondiente al país donde reside, que le asesorará sobre el lugar al que deberá enviarse para que pueda ser revisado. Para obtener información sobre cómo contactar con su distribuidor local, puede llamar a B&W en el Reino Unido o visitar nuestro sitio web.

Para convalidar su garantía, debe mostrar al pertinente folleto debidamente rellenado y con la fecha de compra estampada por su concesionario. De lo contrario, tendrá que mostrar la factura de venta original u otro comprobante que demuestre su propiedad y la autenticidad de su fecha de compra.

Manual de instrucciones

INSTRUCCIONES DE SEGURIDAD IMPORTANTES



CAUTION
RISK OF ELECTRIC SHOCK
DO NOT OPEN



Precaución:

Para reducir el riesgo de que se produzca una descarga eléctrica, no retire el panel posterior. En el interior del aparato no hay partes manipulables por el usuario. Confíe cualquier operación de mantenimiento únicamente a personal cualificado.

Explicación de los Símbolos Gráficos:



El relámpago en el interior de un triángulo equilátero tiene por objeto advertirle sobre la presencia de "tensiones peligrosas" no aisladas en el interior del aparato que pueden tener la suficiente magnitud para provocar descargas eléctricas en personas.



El signo de admiración en el interior de un triángulo equilátero tiene por objeto advertirle sobre la presencia de instrucciones de funcionamiento y mantenimiento importantes en la literatura que acompaña al aparato.

ADVERTENCIAS:

- 1 Lea las instrucciones – Debería leer todas las instrucciones relacionadas con el funcionamiento y la seguridad

- del aparato antes de ponerlo en marcha.
- 2 Guarde las Instrucciones – Las instrucciones relacionadas con el funcionamiento y la seguridad del aparato deberían conservarse para cualquier futura consulta de las mismas.
 - 3 Preste Atención a las Advertencias – Todas las advertencias que figuran en el aparato y en las instrucciones de funcionamiento del mismo deberían ser respetadas.
 - 4 Siga las Instrucciones – Todas las funciones de uso y funcionamiento deberían ser respetadas.
 - 5 Fuentes de Energía – Este producto debería ser utilizado únicamente con el tipo de fuente de energía indicado en el panel posterior. Si no está seguro del tipo de suministro eléctrico del que dispone en su hogar, consulte a su detallista o a su compañía eléctrica local.
 - 6 Conexión a Masa o Polarización – No es obligatorio conectar el aparato a masa. Asegúrese de que las clavijas del enchufe estén completamente insertadas en la toma de corriente eléctrica o regleta para evitar que alguna de ellas quede al descubierto. Las versiones del producto diseñadas para funcionar con fuentes de alimentación de 110-120 voltios están equipadas con un cable de alimentación que incluye una clavija polarizada (es decir con una patilla más ancha que la otra). Esta clavija sólo podrá insertarse en la toma de corriente eléctrica de una única manera. Se trata de una prestación relacionada con la seguridad. Si usted se ve incapaz de insertar completamente la clavija en la toma de corriente eléctrica, pruebe invirtiéndola. Si la clavija sigue sin poder ser insertada, contacte con su electricista para que sustituya su toma de corriente obsoleta por una actualizada. No pase por alto el hecho de que la clavija polarizada existe por motivos de seguridad. Cuando utilice un cable de extensión o un cable de alimentación diferente del suministrado junto con el aparato, el mismo debería ser insertado en tomas adecuadas y satisfacer las normas de seguridad vigentes en el país de utilización.
 - 7 Protección del Cable de Alimentación – Los cables de alimentación deberían colocarse de manera que no puedan ser pisados ni aplastados por otros objetos, debiéndose prestar una particular atención a los puntos de unión de los cables a las clavijas, a la comodidad de las tomas de corriente y al punto en que aquéllos salen del aparato.
 - 8 Sobrecarga – No sobrecargue las tomas de corriente individuales o colectivas ni los cables de extensión ya que ello puede aumentar el riesgo de que se produzca un incendio o una descarga eléctrica.
 - 9 Ventilación – El panel del amplificador que figura en la parte posterior del producto forma parte del mecanismo de refrigeración y no debe ser obstruido colocando aquél en una cama, sofá, alfombra o superficie similar. Asegúrese de que los disipadores térmicos estén alineados para garantizar una refrigeración adecuada. El aparato no debería ser colocado en una instalación preconstruida, como por ejemplo un rack, un estante para libros o un mueble a menos que la misma disponga de ventilación o se hayan seguido escrupulosamente las instrucciones del fabricante al respecto.
 - 10 Calor – El aparato debería colocarse lejos de fuentes de calor tales como radiadores, estufas, cocinas u otros productos (incluyendo los amplificadores de audio) que produzcan calor.
 - 11 Montaje en Pared o Techo – El aparato debería ser montado en una pared o techo sólo de la forma recomendada por el fabricante.
 - 12 Agua y Humedad – No utilice este producto cerca del agua, por ejemplo cerca de una bañera, lavadora, fregadero, en un sótano húmedo o en las cercanías de una piscina o lugares por el estilo.
 - 13 Entrada de Objetos y Líquidos – No introduzca objetos de ningún tipo a través de las aperturas de este producto ya que podrían tocar puntos con tensiones eléctricas peligrosas o cortocircuitar componentes que podrían originar un incendio o una descarga eléctrica. No derrame nunca líquidos de ningún tipo en el interior del aparato. No coloque ningún objeto que contenga líquido en la parte superior del producto.
 - 14 Limpieza – Desenchufe el aparato de la red eléctrica antes de limpiarlo. Consulte las instrucciones de limpieza que figuran en la sección "Cuidado y Mantenimiento" del presente manual de instrucciones.
 - 15 Empalmes – No utilice empalmes no recomendados por el fabricante del producto ya que podrían provocar daños.
 - 16 Accesorios – No coloque este producto encima de una carretilla, soporte, trípode, abrazadera o mesa inestable. El aparato podría caer, provocando serios daños a niños o adultos, así como al propio aparato. Utilice únicamente carretillas, soportes, trípodes, abrazaderas o mesas recomendados por el fabricante o suministrados con el producto. Cualquier instalación del producto debería seguir las instrucciones del fabricante y utilizar un accesorio de montaje recomendado por él.
 - 17 Desplazamiento del Aparato – El conjunto formado por el producto y una carretilla debería moverse con sumo cuidado. Las paradas rápidas, una fuerza excesiva y las superficies irregulares podrían hacer que dicho conjunto volcara. Compruebe que debajo de la alfombra no haya cables que puedan ser dañados por las puntas de desacoplo. No desplace el producto sobre sus pies cónicos ya que ello podría separarlos violentamente del recinto y provocar daños importantes. Procure no herirse usted mismo con las puntas de desacoplo.
 - 18 Períodos de No Utilización – Debería desconectarse el cable de alimentación del aparato cuando el mismo no vaya a ser utilizado durante un largo período de tiempo.
 - 19 Mantenimiento – No intente reparar este producto usted mismo ya que el acceso a su interior puede exponerle a tensiones eléctricas peligrosas u otros riesgos.
 - 20 Daños que Requieren Mantenimiento – Desconecte el aparato de la red eléctrica y confíe el mantenimiento/ reparación del mismo a personal cualificado si se da alguna de las siguientes condiciones:
 - a Cuando el cable de alimentación o la clavija del mismo ha sido dañado.
 - b Si se ha derramado líquido o han caído objetos en el interior del aparato.
 - c Si el producto ha sido expuesto a la lluvia o ha sido salpicado por algún líquido.
 - d Si el producto no funciona de la manera normal siguiendo escrupulosamente las instrucciones de funcionamiento. Ajuste únicamente aquellos controles cuyo funcionamiento esté explicado en las instrucciones de funcionamiento puesto que el ajuste inadecuado de cualquier otro podría provocar daños en el aparato y muy probablemente requeriría mucho trabajo por parte de un técnico cualificado con el fin de restaurar su funcionamiento normal.
 - e Si el aparato ha sido golpeado o dañado de algún modo.
 - f Cuando el aparato muestra un cambio perceptible en sus prestaciones significa que necesita ser revisado.
 - 21 Recambios – Cuando se necesite sustituir alguna pieza, asegúrese de que el técnico de mantenimiento utilice componentes especificados por el fabricante o con las mismas características que los originales. Los cambios con componentes no autorizados pueden provocar incendios, descargas eléctricas u otros riesgos.
 - 22 Fusibles Principales – Están ubicados en el interior del amplificador y la sustitución de los mismos debería ser confiada a un distribuidor autorizado

de B&W. El tipo de fusible utilizado se indica en las especificaciones del aparato.

- 23 Comprobación de Seguridad – Una vez se haya completado cualquier operación de mantenimiento o reparación del producto, consulte al técnico de mantenimiento para que lleve a cabo de manera segura las comprobaciones de seguridad necesarias para determinar que el producto se encuentra en unas condiciones de funcionamiento adecuadas.
- 24 Campos Magnéticos – El producto crea campos magnéticos parásitos. No coloque ningún objeto que pueda ser dañado por dichos campos magnéticos (por ejemplo los televisores o monitores de ordenador que utilicen tubos de rayos catódicos, cintas de audio y vídeo y tarjetas con banda magnética) a una distancia del aparato igual o inferior a 0'5 metros. Más allá de esta distancia, es posible que el aparato siga provocando distorsiones en imágenes generadas por tubos de rayos catódicos.

Introducción

Gracias por haber adquirido este Subwoofer Activo de B&W.

Desde su fundación en 1966, la filosofía de B&W no ha sido otra que la búsqueda de la perfecta reproducción del sonido. Inspirada por el fundador de la compañía, el recordado John Bowers, esta búsqueda ha supuesto no sólo la realización de grandes inversiones en innovación y tecnología aplicadas al campo del audio sino también una muy precisa apreciación de la música y de las exigencias de la reproducción de bandas sonoras de películas con el fin de asegurar que dicha tecnología es aprovechada al máximo de sus posibilidades.

Este subwoofer ha sido diseñado para ser utilizado en instalaciones de Cine en Casa y para incrementar la respuesta en graves de cajas acústicas de gama completa ("full range") en aplicaciones de audio estereofónico de 2 canales. La adición del subwoofer a su equipo no sólo extiende la respuesta en graves del mismo sino que mejora la claridad de la zona media, reduciendo las demandas de energía para cubrir la restitución de las octavas inferiores por parte de las cajas acústicas que usted posea.

Le rogamos que lea cuidadosamente el presente manual antes de utilizar el subwoofer. Todas las instalaciones de sonido requieren cierta planificación y experimentación durante su puesta a punto. Si usted está interesado en explotar al máximo las posibilidades de los componentes de su equipo, este manual le servirá de guía en el proceso.

Puesto que el subwoofer es conectado directamente a la red eléctrica, es importante que usted se familiarice con las instrucciones de seguridad y tenga en cuenta todas las advertencias que figuran al principio del presente manual.

Guarde este manual en un lugar seguro para el caso de que necesite utilizarlo en el futuro.

Las cajas acústicas B&W son distribuidas en más de 60 países de todo el mundo, motivo por el que mantenemos una red internacional constituida por distribuidores altamente cualificados que han sido cuidadosamente seleccionados. En caso de que tenga algún problema que su detallista no pueda resolver, nuestros distribuidores estarán encantados de poder ayudarle.

Desembalaje (figura 1)

La manera más fácil de desembalar el subwoofer y a la vez de evitar que pueda sufrir daños es la siguiente:

- Abra las aletas del embalaje y sitúelas hacia atrás, procediendo posteriormente a colocar en posición invertida la caja y su contenido.
- Levante la caja de modo que el subwoofer quede depositado en el suelo.

Le recomendamos que guarde el embalaje para un posible uso futuro del mismo.

Además del presente manual, la caja debería contener:

- 1 Subwoofer
- 4 pies de goma enroscables
- 4 puntas de desacoplo con tuercas de fijación
- 1 Documentación de garantía internacional

Un repaso al subwoofer (figura 2)

- 1 Disipador térmico
- 2 Conectores de nivel alto (cajas acústicas)
- 3 Conectores de nivel bajo (Línea)
- 4 Conmutador EQ (ecualización)
- 5 Ajuste de la FRECUENCIA DE CORTE DEL FILTRO PASO BAJO
- 6 Conmutador de FASE
- 7 Conmutador de supresión del FILTRO PASO BAJO
- 8 Conmutador de Puesta en Marcha/Arranque Automático (MODE)
- 9 Indicador luminoso de Puesta en Marcha/Activación de la Posición de Espera
- 10 Control de VOLUMEN
- 11 Cable de alimentación
- 12 Conmutador de PUESTA EN MARCHA/ Apagado

¿Qué hace el subwoofer?

Aplicación: Cine en Casa

La función primaria del subwoofer consiste en reproducir las señales correspondientes al canal de Efectos de Baja Frecuencia (LFE). Además, el procesador de sonido envolvente puede ser configurado para desviar la sección de graves de algunos o todos los demás canales y añadiría a la

información LFE configurando dichas cajas acústicas en "small" ("pequeñas") durante su puesta a punto inicial.

Aplicación: Audio estereofónico de 2 canales

En este caso, el subwoofer es utilizado para extender la respuesta en graves más allá de las posibilidades de las cajas acústicas de que se disponga (habitualmente denominadas "satélites" si son de tipo compacto). En la mayoría de casos, los mejores resultados se obtienen si las cajas satélites se utilizan como si fuesen de gama completa y por tanto siendo atacadas directamente por la etapa de potencia. A continuación, el filtro paso bajo del subwoofer es ajustado de tal modo que su salida empiece a aumentar de nivel justo en el punto en que el de las cajas acústicas empieza a disminuir de manera natural. No obstante, si las cajas acústicas satélites son muy pequeñas es posible que el nivel de salida del sistema sea limitado como consecuencia de la sobrecarga de los altavoces de graves de las mismas. Si este es el caso, los mejores resultados se obtendrán utilizando los filtros paso alto del subwoofer con el fin de limitar la energía correspondiente a la zona baja que es enviada a las cajas acústicas satélites.

Colocación del subwoofer

Puesto que el subwoofer produce únicamente sonidos de baja frecuencia, en algunos aspectos su posición resulta menos crítica que la de las cajas acústicas convencionales de gama completa. La información direccional es mucho menos precisa y por tanto usted dispone de muchas más alternativas a la hora de colocar las cajas acústicas y conseguir un buen efecto. Dicho esto, los mejores resultados se obtienen si el subwoofer es colocado entre las cajas acústicas satélites o en las cercanías de una de ellas. Si utiliza dos subwoofers, es mejor situar uno cerca de cada caja satélite.

La colocación del subwoofer detrás de los oyentes, incluso en instalaciones de sonido envolvente, suele proporcionar una imagen sonora de inferior calidad aunque puede constituir un compromiso aceptable en caso de que lo dicten las consideraciones domésticas.

Tal y como sucede con todo tipo de cajas acústicas, la proximidad de las paredes de la habitación afecta al sonido.

Generalmente, los graves sufren un incremento en su nivel cuanto más superficies haya en las cercanías de los altavoces que los producen. Sin embargo, y contrariamente a lo que sucede con las cajas acústicas de gama completa, usted siempre puede restaurar el correcto balance tonal global del sistema ajustando el nivel de volumen del subwoofer. Cuando más realce los graves presentes en su sala, menos tendrán que trabajar los otros altavoces. Pero también hay un punto óptimo: la ubicación del subwoofer en las esquinas de la sala suele excitar con más intensidad las resonancias (modos propios) de baja frecuencia de la misma, desequilibrando a los graves con respecto al resto de frecuencias. No hay, en este

sentido, una alternativa a la experimentación pura y simple puesto que cada sala exhibe un comportamiento diferente; en consecuencia, evalúe la respuesta del subwoofer en una amplia variedad de posiciones antes de tomar una decisión definitiva. Una melodía con un bajo que ascienda o descienda progresivamente en la escala musical resulta muy útil para evaluar la suavidad de la respuesta en graves. Escuche atentamente tanto los párrafos más exagerados como los más suaves. Poseer un subwoofer separado le permitirá optimizar el comportamiento de su equipo con respecto a las resonancias de la sala, así como conseguir la mejor imagen sonora posible.

Si el subwoofer va a ser utilizado en un espacio restringido (por ejemplo en el interior de un mueble hecho a medida), dicho espacio debe ser ventilado para permitir que haya una circulación de aire suficiente para refrigerar el aparato. Consulte a su detallista para que le asesore al respecto.

El subwoofer se suministra de serie con cuatro puntas de desacoplo. Dichas puntas atravesarán limpiamente la alfombra de su sala de escucha, proporcionando un firme soporte para el subwoofer al descansar directamente sobre la superficie del suelo.

Si el aparato debe colocarse sobre una superficie vulnerable, como por ejemplo un suelo de madera, coloque un disco de protección debajo de cada punta o sustituya las puntas de desacoplo por los cuatro pies de goma suministrados con el subwoofer.

Cuando monte los pies de goma o las puntas de desacoplo, coloque en primer lugar completamente las tuercas de fijación y a continuación enrosque por completo los pies en los orificios dispuestos para tal efecto en la base del recinto. Si el subwoofer se mueve ligeramente, afloje dos tuercas opuestas hasta que esté firme y a continuación vuélvalas a fijar sólidamente.

Conexiones eléctricas

Desconecte todos los componentes de su equipo de sonido de la red eléctrica hasta que hayan sido efectuadas y verificadas todas las conexiones de señal. De este modo evitará el riesgo de que se produzcan daños en caso de que se realicen conexiones erróneas.

El subwoofer admitirá la entrada y la salida tanto de señales de nivel de línea como de alto nivel a través, respectivamente, de los terminales RCA y los bornes para la conexión de cajas acústicas ubicados en su panel posterior.

Utilice la siguiente tabla para seleccionar el modo de conexión más adecuado para su instalación:

Aplicación: Cine en Casa

Procesador con etapas de potencia separadas alimentando uno o más subwoofers – fig. 3

Procesador con amplificadores de potencia integrados atacando uno o más

subwoofers:

- con salida de nivel de línea para subwoofer – fig. 4
- con salida de nivel alto para subwoofer – fig. 5

Aplicación: Audio estereofónico de 2 canales

Preamplificador y etapas de potencia separados:

- Señal de gama completa enviada a las cajas acústicas satélites y:
 - Un subwoofer – fig. 6
 - Dos subwoofers – fig. 7
- Señal filtrada paso alto enviada a las cajas acústicas satélites y:
 - Un subwoofer – fig. 8
 - Dos subwoofers – fig. 9

Amplificador integrado:

- Señal de gama completa enviada a las cajas acústicas satélites y:
 - Un subwoofer – fig. 10
 - Dos subwoofers – fig. 11
- Señal filtrada paso alto enviada a las cajas acústicas satélites y:
 - Un subwoofer – fig. 12
 - Dos subwoofers – fig. 13

Utilización de más de un subwoofer

El empleo de más de un subwoofer en una única instalación puede mejorar las prestaciones de la misma del siguiente modo:

- Mantenimiento de la separación estereofónica hasta las frecuencias más bajas.
- Sonorización de habitaciones de mayores dimensiones.
- Permitir niveles de presión sonora más elevados, lo que a menudo resulta muy útil para reproducir de modo efectivo los efectos especiales relacionados con las aplicaciones de Cine en Casa.
- Suavizar los efectos de las resonancias de baja frecuencia de la sala de escucha.

Si está utilizando dos subwoofers en un equipo de audio de 2 canales, la separación estereofónica en el caso de que cada canal tenga su propio subwoofer aumentará dando por supuesto que cada subwoofer sea ubicado cerca de la correspondiente caja acústica satélite. Utilice la conexión para funcionamiento monofónico que se muestra en la figura 8 sólo en el caso de que le sea imposible colocar cada subwoofer cerca de su correspondiente caja acústica satélite.

Compruebe las conexiones

ASEGÚRESE DE QUE LA TENSIÓN DE ALIMENTACIÓN INDICADA EN EL PANEL DEL AMPLIFICADOR CONCUERDE CON LA DE SU RED ELÉCTRICA LOCAL.

Antes de proceder a la evaluación de la calidad sonora de su nueva instalación y a realizar el ajuste fino de la misma, compruebe las conexiones efectuadas. Muy a menudo, los usuarios se quejan de que no pueden obtener un sonido decente, a pesar de manejar adecuadamente los controles, sólo para descubrir que algo había sido conectado de forma errónea.

Asegúrese de que:

- La puesta en fase sea correcta, lo que significa que no debería haber conexiones de positivo a negativo (o viceversa) en las cajas acústicas satélites. Si algo está fuera de fase, es posible que se obtenga un sonido difuso con una imagen sonora flotante e imprecisa, una falta patente de graves o una combinación de ambas cosas.
- No haya cruces entre canales, hecho que podría derivar en, por ejemplo, que una orquesta estuviese situada en la posición incorrecta o, peor aún, los sonidos de su sistema de Cine en Casa fueran en dirección opuesta a la de la acción que transcurre en la pantalla.

Arranque y apagado

Le recomendamos que ponga en marcha el subwoofer antes que cualquier amplificador o amplificadores que reciban señales del mismo. Del mismo modo, en el momento del apagado del sistema deje al subwoofer para el final.

El conmutador de Puesta en Marcha/Arranque Automático (MODE) (8) y su correspondiente indicador luminoso (9) funcionan de la siguiente manera:

On:

Con el conmutador en esta posición, el amplificador permanece siempre activado y el indicador se ilumina en color verde.

Auto:

La primera vez que ponga en marcha el subwoofer y lo sitúe en la posición Auto, el amplificador interno se colocará en su posición de pleno funcionamiento y el indicador luminoso (9) se situará en color verde. Después de unos 5 minutos sin presencia de señal de entrada, el amplificador regresará automáticamente a la posición de espera y el mencionado indicador luminoso pasará a ser de color rojo. Cuando se detecte una señal en la entrada, el amplificador se situará automáticamente en su posición de pleno funcionamiento y el indicador luminoso cambiará a color verde.

Ajuste de los controles

Hay 5 controles a considerar:

- El control de VOLUMEN (10)
- El control para el ajuste de la FRECUENCIA DE CORTE DEL FILTRO PASO BAJO (5)
- El conmutador de activación del FILTRO PASO BAJO (7)
- EL conmutador de FASE (6)
- El conmutador de ECUALIZACIÓN (EQ) (4)

Los ajustes óptimos dependen del resto de componentes utilizados con el subwoofer. Si se está utilizando más de un subwoofer,

asegúrese de que los controles de cada uno están ajustados en la misma posición.

Cine en Casa

El subwoofer no posee certificación THX® pero en caso de que así se desee puede ser utilizado con un controlador THX®.

- Ajuste inicialmente el control de VOLUMEN en la posición correspondiente a las 9 en punto.
- Desconecte el control correspondiente a la FRECUENCIA DE CORTE DEL FILTRO PASO BAJO.
- Sitúe inicialmente el conmutador de ECUALIZACIÓN en la posición A.
- Sitúe inicialmente el conmutador de fase en 0°.
- El ajuste del conmutador de activación del FILTRO PASO BAJO es irrelevante.

Vea también la sección dedicada a "Ajuste fino".

Si usted posee un controlador THX®, asegúrese de que la función de subwoofer esté activada. Cuando el controlador esté adecuadamente configurado, el mismo incorporará todos los ajustes de nivel y filtrado requeridos por el subwoofer en todos los modos de funcionamiento. Para la calibración de nivel pueden utilizarse los controles de nivel y el generador interno de tonos de prueba del controlador THX®. En todos los casos, los niveles deberían ajustarse para obtener un nivel de presión sonora de 75 dB (medidos con ponderación C) en la posición de escucha utilizando la señal de ruido rosa de prueba del controlador.

Con otros procesadores, configure las cajas acústicas frontales y de sonido envolvente en "large" ("grandes") o "small" ("pequeñas") antes de ajustar los niveles correspondientes. Utilice los controles de nivel y el generador interno de señales de prueba del controlador para ajustar los niveles de todas las cajas acústicas del equipo. Cambie el nivel de VOLUMEN en el subwoofer solamente si el procesador no dispone de un rango de ajuste suficiente para lograr los niveles adecuados.

Pueden adquirirse sonómetros de bajo precio en cualquier tienda de componentes electrónicos. Dichos aparatos deberían utilizarse cada vez que se procediese a calibrar los niveles correspondientes a los distintos canales de su equipo. Consulte el manual de instrucciones de su procesador de sonido envolvente para conocer más detalles sobre cómo ajustar los niveles.

Audio estéreo de 2 canales

- Ajuste inicialmente el control de VOLUMEN en la posición correspondiente a las 9 en punto.
- Sitúe el conmutador de activación del FILTRO PASO BAJO en IN.
- Sitúe inicialmente el conmutador de ECUALIZACIÓN en la posición A.
- Sitúe inicialmente el conmutador de fase en 180°.

Si está haciendo funcionar las cajas acústicas satélites con toda la gama de

frecuencias del espectro de audio ("full range") (figuras 6, 7, 10 y 11):

- Sitúe la FRECUENCIA DE CORTE DEL FILTRO PASO BAJO en la frecuencia de corte a -6 dB de sus cajas acústicas satélites.

Las frecuencias de corte a -3 dB y -6 dB pueden encontrarse en las especificaciones de cada modelo de B&W. No obstante, si el fabricante de las cajas acústicas satélites no indica la frecuencia de corte a -6 dB sino únicamente la de corte a -3 dB, el ajuste óptimo para el control de la FRECUENCIA DE CORTE DEL FILTRO PASO BAJO estará situado entre 0'6 y 0'9 veces la frecuencia de corte a -3 dB en función de cual sea la pendiente de corte. Cuanto más gradual sea la velocidad de decrecimiento (es decir la pendiente) del filtro divisor de frecuencias de las cajas acústicas satélites, menor debería ser el valor de la mencionada frecuencia.

Si está utilizando las cajas acústicas satélites después de haber efectuado un filtrado paso alto de las mismas (figuras 8, 9, 12 y 13):

- Sitúe inicialmente la FRECUENCIA DE CORTE DEL FILTRO PASO BAJO en 80 Hz.

Vea también la sección dedicada a "Ajuste fino".

Ajuste fino

Cine en Casa

En el caso del Cine en Casa, la señal de subwoofer (LFE) corresponde más a una señal separada que a una extensión de la enviada a las cajas acústicas satélites. El filtro PASO BAJO es desconectado puesto que es el procesador el que se encarga de proporcionar todo el filtrado a cualquier caja acústica configurada como "small" ("pequeña"). Sin embargo, la posición del conmutador de fase debe seguir siendo tenida en cuenta. Por lo general, la fase debe ser ajustada en 0° pero si el subwoofer está colocado a una distancia significativamente distinta de las demás cajas acústicas o la etapa de potencia que ataca a estas últimas invierte la señal, la posición de 180° podría resultar más adecuada. Haga pruebas de escucha colocando el conmutador en las dos posiciones disponibles y elija la que proporcione el sonido más convincente. Si la diferencia percibida es poca, deje el conmutador en 0°.

Por regla general, los procesadores de sonido envolvente incluyen una señal de ruido calibrada que puede ser utilizada para establecer los niveles relativos de todas las cajas acústicas, haciendo de este modo que la tarea resulte algo más sencilla que en el caso del audio estéreo de 2 canales. Aún así, no tenga miedo de alterar los ajustes para que se adapten a sus preferencias personales. Es demasiado fácil entusiasmarse con las posibilidades del subwoofer, en particular con ciertos efectos especiales de baja frecuencia. Muy a menudo se consigue una recreación del sonido más realista y satisfactoria a largo plazo situando el nivel del subwoofer por debajo del correspondiente a la calibración

estándar.

Audio estéreo de 2 canales

Los ajustes óptimos para el conmutador de FASE y la FRECUENCIA DE CORTE DEL FILTRO PASO BAJO están interrelacionados y además dependen de la frecuencia de corte inferior de las cajas acústicas satélites y la pendiente de corte inferior del filtro divisor de frecuencias de las cajas acústicas satélites. Aún así, se han elegido los ajustes recomendados anteriormente para la FRECUENCIA DE CORTE DEL FILTRO PASO BAJO y la FASE ya que se adaptan bien a mayoría de diseños para la reproducción de graves -sean de tipo bass-reflex o de caja infinita- con frecuencias de corte a -6 dB situadas dentro del rango de ajuste del subwoofer.

Si alimenta las cajas acústicas satélites a través del filtro paso alto del subwoofer, la frecuencia de corte deberá ser ajustada en un valor inferior al inicial de 80 Hz si la frecuencia de corte a -3 dB de las mismas es inferior a 80 Hz y superior en caso contrario.

Ajuste el sistema en su posición preferida y reproduzca algunos temas musicales que contengan una buena dosis de graves.

Utilizando como guía la lista de ajustes iniciales, compruebe en primer lugar la posición del conmutador de FASE. Elija la posición que proporcione un sonido más abierto y rico. Por lo general, la posición será óptima aunque es posible que ello no sea así en determinadas circunstancias, como por ejemplo si está utilizando conexiones de nivel de línea y las etapas de potencia que alimentan las cajas acústicas satélites invierten la señal o los subwoofers no están situados cerca de las cajas acústicas satélites.

A continuación, ajuste el nivel de salida del subwoofer con respecto a las cajas acústicas satélites en función de sus preferencias. Utilice un amplio abanico de grabaciones musicales con el fin de establecer un ajuste intermedio que sea válido para todos. Piense al respecto que un ajuste que proporcione un sonido impresionante con un tema musical puede ser desastroso para otro. Escuche la música a niveles de presión sonora sensatos puesto que la percepción del balance varía con el nivel del sonido.

Ya para finalizar, ajuste de la FRECUENCIA DE CORTE DEL FILTRO PASO BAJO para conseguir la transición más suave posible entre el subwoofer y las cajas acústicas satélites. Probablemente, este proceso es el que conlleva una mayor dificultad a la hora de optimizarlo.

Todo tipo de aplicaciones

El ecualizador EQ altera la pendiente de corte del filtro de graves. Los graves que usted oye son una combinación de los emitidos por el subwoofer más los debidos a la acústica de la sala de escucha (reflexiones, etc.), por lo que debería elegir la ubicación que mejor se adapte a esta última y a la posición del subwoofer. La posición A proporciona una restitución más seca y adecuada para colocar el subwoofer en una esquina o compensar una sala que

tienda a hinchar los graves. Por el contrario, la posición B es más adecuada para una sala con una acústica seca y para colocar el subwoofer lejos de una esquina.

Si detecta problemas relacionados con una concentración excesiva de graves -es decir si ciertas notas bajas son exageradas con respecto a otras-, es muy posible que se deban a la interacción del equipo con la sala de escucha, por lo que le recomendamos que experimente con la colocación del subwoofer. Piense que un pequeño cambio en la posición -del orden de unos 15 centímetros- puede tener efectos muy importantes sobre el sonido. Intente elevar un poco el subwoofer con respecto al suelo, así como desplazarlo lateralmente. El uso de varios subwoofers puede suavizar los efectos debidos a las resonancias de la sala puesto que cada subwoofer tenderá a excitar resonancias a frecuencias distintas. Si usted altera de modo apreciable las distancias relativas entre el(los) subwoofers(s) y las cajas acústicas satélites con respecto a los oyentes, reajuste el selector de fase. También debería comprobar el ajuste de nivel del subwoofer (utilizando los controles del nivel de salida del decodificador o el control de volumen del subwoofer dependiendo de cada situación) aunque sólo después de ajustar correctamente la fase.

Cuando utilice más de un subwoofer, asegúrese de que cada uno tenga los mismos ajustes de la FRECUENCIA DE CORTE y la FASE.

Cuidado y mantenimiento del subwoofer

El recinto del subwoofer debe limpiarse con ayuda de una gamuza seca. Si desea utilizar un limpiador de tipo aerosol, no pulverice nunca directamente hacia el recinto de la caja sino hacia la gamuza. Quite la rejilla antes de proceder a la limpieza del recinto pero asegúrese de no tocar el altavoz. La rejilla también puede limpiarse con ayuda de un cepillo suave.

No utilice el subwoofer como mesa. Cuando está funcionando, los objetos situados en su parte superior pueden moverse y caer. En particular, evite los riesgos asociados al vertido de líquidos (procedentes de bebidas o floreros).

Si el sistema no va a ser utilizado durante un largo periodo de tiempo, desconecte el subwoofer de la red eléctrica.

Português

Garantia limitada

Estimado Cliente,
Bem-vindo à B&W.

Este produto foi concebido e fabricado de acordo com os mais elevados padrões de qualidade. No entanto, se houver qualquer problema com este produto, os Altifalantes B&W e os seus distribuidores nacionais garantem serviço de mão-de-obra (podendo-se aplicar exclusões) e de substituição de peças gratuitos em qualquer país servido por um distribuidor oficial de B&W.

Esta garantia limitada é válida por um período de cinco anos a partir da data de compra ou dois anos pela parte electrónica incluindo altifalantes amplificadas.

Termos e condições

- Esta garantia limita-se à reparação do equipamento. Nem transporte, nem quaisquer outros custos, nem qualquer risco de remoção, transporte e instalação de produtos estão cobertos por esta garantia.
- A garantia só é válida para o proprietário original. Não é transferível.
- Esta garantia não será aplicável nos casos em que os defeitos não sejam atribuíveis a materiais e/ou mão-de-obra na altura da compra e não será aplicável a:
 - danos causados pela instalação, ligação ou embalamento incorrectos,
 - danos causados por qualquer utilização que não seja a correcta conforme descrita no manual do utilizador, negligência, modificações ou utilização de peças que não sejam fabricadas ou autorizadas pela B&W,
 - danos causados por equipamento auxiliar inadequado ou defeituoso,
 - danos causados por acidentes, relâmpagos, água, incêndio, calor, guerra, distúrbios públicos ou qualquer outra causa para além do controlo razoável da B&W e dos seus distribuidores nomeados,
 - produtos cujo número de série tenha sido alterado, apagado, removido ou que tenha sido tornado ilegível,
 - reparações ou modificações que tenham sido efectuadas por pessoa não autorizada.
- Esta garantia complementa quaisquer obrigações legais nacionais e regionais de revendedores ou distribuidores nacionais e não afecta os seus direitos estatutários como cliente.

Como reivindicar reparações sob garantia

Caso seja necessário assistência técnica, queira seguir o procedimento seguinte:

- Se o equipamento está a ser utilizado no país de compra, deverá contactar o distribuidor autorizado da B&W de onde o equipamento foi comprado.
- Se o equipamento está a ser utilizado fora do país de compra, deverá contactar o distribuidor nacional da B&W do país de residência que o aconselhará onde o equipamento pode ser reparado. Pode telefonar para a B&W no RU ou visitar a nossa web site para obter os pormenores de contacto do seu distribuidor local.

Para validar a sua garantia, precisará de produzir este livrete de garantia preenchido e carimbado pelo seu distribuidor na data da compra. Em alternativa, precisará da factura original de venda ou outra prova de propriedade e data de compra.

Manual do utilizador

INSTRUÇÕES IMPORTANTES DE SEGURANÇA



CUIDADO
RISCO DE CHOQUE ELÉCTRICO
NÃO ABRIR



Cuidado:

Para reduzir o risco de choque eléctrico, não remova o painel traseiro. Não existem peças utilizáveis pelo utilizador no interior. Direcione reparações para pessoal qualificado.

Explicação de alguns símbolos:



O raio dentro de um triângulo equilátero tem o propósito de o alertar para a presença de voltagem perigosa não protegida no interior do aparelho com magnitude suficiente para provocar um choque eléctrico numa pessoa.



O ponto de exclamação dentro de um triângulo equilátero tem o propósito de o alertar importantes instruções de assistência e manutenção contidas na literatura que acompanha o aparelho.

AVISOS:

- Leia as instruções – Todas as instruções de funcionamento e segurança devem ser lidas antes de pôr o aparelho a funcionar.
- Guarde as instruções – As instruções de funcionamento e segurança devem ser guardadas para futuras consultas.
- Avisos de Atenção – Todos os avisos no aparelho e no manual de instruções não devem ser esquecidos.

- 4 Siga as instruções – Todas as instruções de uso e funcionamento devem ser seguidas.
- 5 Fontes de alimentação – Este aparelho só deve funcionar com os tipos de corrente eléctrica indicados no painel traseiro do mesmo. Se não está certo do tipo de corrente eléctrica que tem em sua casa, consulte o seu Retalhista autorizado ou a companhia de electricidade local.
- 6 Terra e Polarização – Este aparelho não necessita de uma ligação à terra. Assegure-se que a ficha está completamente inserida na parede ou extensão para prevenir exposição dos pinos. Quando usar uma extensão de corrente ou um cabo de corrente que não o fornecido com o aparelho, deve verificar se este possui as fichas correctas e se está de acordo com todas as regras de segurança apropriadas para uso no seu país.
- 7 Protecção do Cabo de Corrente – Os cabos de corrente devem ser guiados por forma a não serem pisados ou colocados objectos em cima dos mesmos, prestando especial atenção às fichas, orifícios correspondentes e o ponto onde saem do aparelho.
- 8 Sobrecarga – Não sobrecarregue as tomadas de parede nem extensões, isso poderá resultar em fogo ou choque eléctrico.
- 9 Ventilação – O painel do amplificador na traseira do aparelho é parte do mecanismo de arrefecimento e não deve ser obstruído colocando o aparelho numa cama, sofá, tapete, ou outras superfícies semelhantes. Assegure-se que as saliências do dissipador estão alinhados verticalmente para assegurar um arrefecimento correcto. O aparelho não deve ser colocado em lugares pouco arejados, como uma prateleira, estante ou caixa a menos que lhe seja fornecida ventilação apropriada ou as instruções do fabricante estejam de acordo com a situação em causa.
- 10 Calor – O aparelho deve estar situado longe de fontes de calor como, radiadores, aquecedores, fogões, ou outros aparelhos (incluindo amplificadores) que produzam calor.
- 11 Montagem na Parede ou Tecto – O aparelho deve apenas ser montado numa parede ou tecto segundo as indicações do fabricante.
- 12 Água ou Humidade – Não use este aparelho perto de água ou humidade – por exemplo, perto de uma banheira, poliban, lava-louça, máquina de lavar, numa cave húmida, ou perto de uma piscina ou algo similar.
- 13 Entrada de Objectos ou Líquidos – Nunca empurre objectos através das ranhuras do aparelho para o seu interior, visto que elas podem tocar em peças com voltagens perigosas que podem provocar fogo ou choque eléctrico. Nunca entorne líquido de nenhum tipo em cima do aparelho.
- Não coloque recipientes com líquidos em cima do equipamento.
- 14 Limpeza – Desligue o aparelho da tomada antes de o começar a limpar. Leia a secção do manual com instruções de limpeza – "Cuidados com o Subwoofer".
- 15 Ligações – Não utilize ligações não recomendadas pelo fabricante do aparelho, porque poderão causar danos.
- 16 Acessórios – Não coloque este aparelho numa superfície instável, suporte, suporte de parede ou mesa. O aparelho pode cair, causando sérias lesões a crianças ou adultos, e sérios danos no aparelho. Use apenas com um suporte, suporte de parede ou mesa recomendados pelo fabricante ou vendido com o aparelho. Qualquer montagem do aparelho deve seguir as instruções do fabricante e deve usar um acessório de montagem recomendado pelo fabricante.
- 17 Movendo o aparelho – A combinação do aparelho e sua embalagem devem ser movidos com cuidado. Paragens rápidas, força excessiva e superfícies irregulares podem fazer com que o aparelho tombe. Certifique-se que não existem cabos por baixo da alfajofa ou carpete que possam ser danificados com os spikes. Não mova o aparelho com os spikes montados porque pode fazer com que eles se soltem da caixa e causem estragos no aparelho. Tenha cuidado para não se picar com os spikes.
- 18 Períodos de não utilização – O cabo de corrente do aparelho deve ser desligado da tomada quando ficar sem uso durante um longo período de tempo.
- 19 Assistência – Não tente efectuar você mesmo uma reparação neste aparelho, visto que abrir ou remover as tampas pode expô-lo a voltagens perigosas ou outros perigos. Direcione qualquer reparação para pessoal qualificado.
- 20 Danos requerendo reparação – Desligue o aparelho da tomada de parede e direcione a reparação para pessoal qualificado quando nas seguintes condições:
- Quando o cabo de corrente ou ficha foram danificados.
 - Quando foi entornado líquido ou se deixaram cair objectos para dentro do aparelho.
 - Se o aparelho foi exposto a chuva ou água.
 - Se o produto não funciona normalmente seguindo as instruções no manual. Ajuste apenas os controlos mencionados no manual de instruções, visto que um ajuste desapropriado de outros controlos podem resultar em dano e requerem frequentemente um trabalho extensivo de um técnico qualificado para repor o aparelho no seu funcionamento normal.
- e Se deixou cair o aparelho, ou se danificou de qualquer forma.
- f Quando o aparelho apresentar uma alteração distinta no seu desempenho – isto indica necessidade de uma assistência técnica.
- 21 Peças de Substituição – Quando é necessário substituir uma peça, certifique-se que o técnico o faz com peças indicadas pelo fabricante ou com as mesmas características que a peça original. Substituições não autorizadas podem resultar em fogo, choque eléctrico ou outros perigos.
- 22 Os fuses principais estão localizados dentro do amplificador e a sua substituição deve ser deixada a cargo de um Agente Autorizado B&W. O tipo de fuses a substituir está mencionado nas especificações técnicas.
- 23 Verificação de Segurança – Após qualquer assistência ou reparação feita a este produto, peça ao técnico para efectuar uma verificação de segurança para confirmar se o produto está em condições normais de funcionamento.
- 24 Campos Magnéticos – o produto cria um campo magnético perdido. Não posicione nenhum objecto que possa ser danificado por este campo magnético (ex. televisores com tubo de raios catódicos ou monitores de computador, cassetes audio e vídeo e cartões com banda magnética) a menos de 0.5m do aparelho. O aparelho pode causar distorção nas imagens de tubos de raios catódicos para além desta distância.

Introdução

Obrigado por ter comprado este Subwoofer Activo B&W.

Desde a sua fundação em 1966, a filosofia da B&W tem sido baseada na procura da reprodução sonora perfeita. Inspirada pelo fundador da marca, o já falecido John Bowers, esta busca significou não só um elevado investimento em tecnologia e inovação de audio mas também uma permanente avaliação musical para assegurar que esta tecnologia é aproveitada ao máximo.

Este subwoofer foi desenhado para instalações de Cinema em Casa e para aumentar a performance de graves das colunas de gama completa usadas em 2 canais audio. Adicionando o subwoofer ao seu sistema não só estende o grave a frequências mais baixas como melhora a clareza dos médios reduzindo a exigência de graves nas suas colunas.

Por favor, leia a totalidade deste manual antes de utilizar o subwoofer. Todas as instalações sonoras necessitam de algum planeamento e ensaio quando se pretende obter o melhor desempenho dos equipamentos utilizados. Este manual poderá guiá-lo através deste processo.

Uma vez que o subwoofer está ligado à rede de alimentação, será da maior importância que se familiarize com as

instruções de segurança e siga todos os avisos.

Mantenha este manual em lugar seguro para futuras consultas.

Os produtos B&W são distribuídos em mais de 60 países de todo o mundo e mantemos uma rede internacional de distribuidores dedicados e cuidadosamente escolhidos. Se deparar com algum problema que o seu revendedor não esteja em condições de resolver, os nossos distribuidores estão à sua disposição.

Desembalamento (figura 1)

A maneira mais fácil de desembalar o subwoofer e evitar danos é a seguinte:

- Abra completamente as tampas da caixa e vire-a para baixo.
- Levante a caixa deixando o equipamento no chão.

Recomendamos que guarde a embalagem para futura utilização.

Para além deste manual a caixa contém:

- 1 Subwoofer
- 4 Pés de borracha de enrosacar
- 4 Spikes com respectivas porcas
- 1 Documento de Garantia Internacional

Visita ao Subwoofer (figura 2)

- 1 Dissipador
- 2 Terminais de Coluna
- 3 Tomadas RCA
- 4 Interruptor EQ (equalização)
- 5 Controlo de Frequência do FILTRO PASSA-BAIXO
- 6 Interruptor de FASE (PHASE)
- 7 Interruptor de corte do FILTRO PASSA-BAIXO
- 8 Interruptor de MODO On/Auto
- 9 Luz indicadora de On/Standby
- 10 Controlo de VOLUME
- 11 Cabo de alimentação
- 12 Interruptor de POWER on/off (CORRENTE ligado/desligado)

O que faz o Subwoofer

Aplicação: Cinema em Casa

A função principal do subwoofer é reproduzir sinais do canal de efeitos de Baixa Frequência (LFE-Low Frequency Effects). Mais ainda, o processador pode ser configurado para dirigir a porção de grave baixo de algumas ou todos os outros canais e adicioná-lo à informação LFE configurando essas colunas como 'small' no procedimento de configuração do processador.

Aplicação: 2 canais audio

O subwoofer é usado para estender a resposta de graves para além do que conseguimos as colunas satélite. Na maioria dos casos, são obtidos melhores resultados se as colunas satélite não forem de gama completa como normalmente ligadas directamente ao amplificador de

potência. O filtro passa-baixo do subwoofer está definido de forma a que a sua saída aumente à medida que a das colunas satélite baixa naturalmente. Se bem que, se as colunas satélite forem pequenas, o nível de saída do sistema pode ser limitado sobrecarregando os seus altifalantes de graves. Se o caso for este, podem ser obtidos melhores resultados usando os filtros passa-alto do subwoofer para limitar a energia de graves que alimenta as colunas satélite.

Posicionamento do Subwoofer

Uma vez que o subwoofer produz apenas sons de frequência muito baixa, a colocação do mesmo é menos exigente, em certos aspectos, do que a das colunas convencionais. A informação direccional é muito menos precisa existindo uma maior gama de escolha na colocação do equipamento para obter um bom efeito. Dito isto, os melhores resultados são obtidos quando o subwoofer é colocado entre as colunas ou próximo de uma delas. Se utilizar dois subwoofers, o melhor será colocar um junto de cada uma das colunas frontais.

A colocação do subwoofer atrás do local de audição, mesmo em sistemas de som envolvente, oferece geralmente uma imagem sonora de menor qualidade; mas pode constituir um compromisso aceitável em casos de incompatibilidade doméstica.

Como em todas as colunas, a proximidade das paredes afecta o desempenho sonoro. Os baixos são geralmente reforçados pela proximidade de superfícies. No entanto, ao contrário das colunas de gama completa, poderá sempre ajustar o equilíbrio geral do sistema através do controlo de volume do subwoofer. Quanto mais ganho obtiver da própria sala, menos potência a coluna terá de fornecer; mas existe um contra. A colocação junto ao canto excita por vezes as ressonâncias de baixa frequência da sala, tornando os baixos menos homogêneos. Não existe qualquer forma de substituir os ensaios, uma vez que todas as salas se comportam de forma diferente, por isso deverá ensaiar várias soluções de colocação antes de tomar a decisão final. Uma peça musical com uma linha de baixos subindo ou descendo a escala musical, será útil para determinar o equilíbrio da resposta de baixos. Esteja atento à existência de notas demasiado fortes ou fracas. Com um subwoofer independente poderá otimizar a interacção com as ressonâncias da sala independentemente da colocação das colunas satélite para uma melhor imagem sonora.

Se pretende usar o subwoofer num espaço exiguo, como é o caso de mobiliário feito por medida, assegure-se que existe suficiente ventilação para o amplificador integrado no equipamento. Se não estiver certo se o espaço para ventilação é adequado, consulte o seu revendedor.

O subwoofer é fornecido com quatro spikes. Estes spikes atravessam a alcatifa ou carpete, fixando a coluna directamente no solo sem achatar a carpete.

Se a intenção é usar a unidade numa

superfície vulnerável, com chão de madeira, coloque um disco de protecção em cada spike ou coloque os quatro pés de borracha no lugar dos spikes.

Quando fixar quer os pés de borracha quer os spikes, primeiro enrosque as porcas de aperto e depois enrosque os pés completamente nos orifícios com rosca na base da caixa. Se a unidade abanar, desaperte os dois opostos e respectivos pés até que esteja firme, depois reaperte as porcas de aperto.

Ligações eléctricas

Desligue todos os equipamentos do sistema de som da respectiva alimentação até efectuar e verificar todas as ligações. Isto assegura que não há risco de provocar avarias quando se ligam e desligam cabos.

O subwoofer vai receber e emitir ambos os sinais de linha através das tomadas RCA Phono e os sinais de linha para colunas através dos terminais de coluna localizados no painel traseiro do subwoofer.

Use o seguinte guia para seleccionar o método correcto de ligação dos cabos para a sua instalação:

Aplicação: Cinema em Casa

Processador com amplificadores de potência separados alimentando um ou mais subwoofers – fig. 3

Processador com amplificadores integrados alimentando um ou mais subwoofers:

– com a saída de linha do subwoofer – fig 4

– com a saída de linha do subwoofer para colunas – fig 5

Aplicação: 2 canais audio

Pré-Amplificador e Amplificador de

Potência em separado:

– Sinal de gama completa para as colunas satélite e:

– Um subwoofer – fig 6

– Dois subwoofers – fig 7

– Sinal Passa-Alto para as colunas satélite e:

– Um subwoofer – fig 8

– Dois subwoofers – fig 9

Amplificador Pré/Potência Integrado:

– Sinal de gama completa para as colunas satélite e:

– Um subwoofer – fig 10

– Dois subwoofers – fig 11

– Sinal Passa-Alto para as colunas satélite e:

– Um subwoofer – fig 12

– Dois subwoofers – fig 13

Usando mais do que um subwoofer

Usando mais do que uma unidade numa instalação simples pode melhorar o desempenho das seguintes maneiras:

- Mantém a separação entre canais nas frequências mais baixas.
- Quando o sistema é usado em salas de maiores dimensões.
- Possibilita um maior nível de saída – especialmente para efeitos especiais em sistemas de Cinema em Casa.

- Suaviza os efeitos das ressonâncias de baixa frequência da sala.

Se está a usar dois subwoofers para dois canais áudio a separação estéreo é melhorada se cada canal tiver o seu subwoofer, dando a cada um, um lugar perto da coluna satélite correspondente. Use apenas a ligação mono da figura 8 se não conseguir colocar cada subwoofer perto da sua coluna satélite.

Confirme as Ligações

ASSEGURE-SE QUE A TENSÃO INDICADA NO PAINEL DO AMPLIFICADOR ESTÁ DE ACORDO COM A TENSÃO DA SUA ALIMENTAÇÃO.

Antes de apreciar a qualidade de som da sua nova instalação e de efectuar o respectivo ajuste fino, volte a verificar as ligações. Os utilizadores queixam-se muitas vezes de não conseguirem obter um som de qualidade decente quando ajustam os controlos, e a causa está normalmente em ligações erradas. Assegure-se que:

- A fase está correcta – não pode haver nenhuma ligação positiva para negativo para as colunas satélite. Se alguma coisa está fora de fase pode obter um som estranho com uma imagem imprecisa e flutuante, uma falta de graves ou uma combinação de ambas.
- Não devem existir trocas do canal esquerdo com o direito – isso pode resultar, por exemplo, numa disposição incorrecta da orquestra ou, pior ainda, o som do seu sistema de audição doméstico é proveniente do lado oposto do ecrã àquele em decore a acção.

Ligando e Desligando

Recomendamos que ligue o subwoofer antes de qualquer amplificador que receba sinais deste equipamento. De forma idêntica, desligue o subwoofer em último lugar.

O interruptor de MODE On/Auto (MODO Ligado/Auto) (8) e a luz indicadora (9) funcionam da seguinte maneira:

On (Ligado):

Com o interruptor nesta posição, o amplificador fica permanentemente ligado, e a lâmpada ilumina-se de cor verde.

Auto:

Ligando inicialmente o subwoofer em Auto, o amplificador fica activo e a luz (9) fica verde. Depois de um período de 5 minutos sem entrada de sinal, o amplificador reverte automaticamente ao modo Standby e a luz fica vermelha. Quando um sinal é detectado, o amplificador fica automaticamente activo e a luz fica verde.

Ajustando os Controlos

Há cinco controlos a considerar:

- O controlo de VOLUME (10)
- Controlo de Frequências do FILTRO PASSA-BAIXO (5)
- O interruptor do FILTRO PASSA-BAIXO (7)

- O interruptor de FASE (PHASE) (6)
- O interruptor EQ (equalização) (4)

A posição óptima dos ajustes depende do equipamento restante utilizado com o subwoofer. Se usar mais de um subwoofer, assegure-se que a posição dos controlos de ambos é diferente.

Cinema em Casa

O subwoofer não é um componente com certificação THX®, mas pode ser usado com um controlador THX® se assim o desejar.

- Posicione o controlo de VOLUME do processador na posição de relógio de 9 horas.
- Defina o FILTRO PASSA-BAIXO como OUT.
- Ponha o interruptor EQ inicialmente na posição A.
- Ponha o interruptor de FASE (PHASE) inicialmente em 0°.
- A definição do Controlo de Frequências do FILTRO PASSA-BAIXO é irrelevante.

Veja também a secção "Ajustes óptimos".

Se possui um controlador THX®, certifique-se que essa função do subwoofer está activa. Quando assim configurado incorpora todas as filtragens e configurações de nível necessárias para o subwoofer em todos os modos. Para a calibragem do nível, devem ser usados no controlador THX®, o sinal de ruído de teste interno e os controlos de nível dos canais. Em ambos os casos os níveis devem ser definidos para obter 75dB SPL na posição de audição do sinal de ruído de teste interno do controlador.

Com outros processadores, configure as colunas frontais e traseiras como "large" ou "small" conforme o mais apropriado antes de definir os níveis. Use o sinal de ruído de teste interno e os controlos de volume do processador para definir os níveis de todas as colunas. Mude apenas o controlo de VOLUME no subwoofer se o processador não tiver alcance suficiente para conseguir os níveis correctos.

Medidores de níveis de som estão já disponíveis a preços pouco dispendiosos nas lojas de electrónica e devem ser usados para calibrar os níveis. Consulte o manual do seu processador para mais detalhes sobre como definir os níveis.

2 canais audio

- Posicione o controlo de VOLUME do processador na posição de relógio de 9 horas.
- Defina o FILTRO PASSA-BAIXO como IN.
- Ponha o interruptor EQ inicialmente na posição A.
- Ponha o interruptor de FASE (PHASE) inicialmente em 180°.

Se tem as colunas satélite com gama completa (figs 6, 7, 10, 11).

- A definição do Controlo de Frequências do FILTRO PASSA-BAIXO para os -6dB da frequência de corte das suas colunas satélite.

Ambas as figuras -3dB e -6dB são encontradas nas especificações de cada modelo de colunas B&W. No entanto, se o fabricante das colunas satélite não mencionar uma frequência de -6dB, mas apenas uma frequência de -3dB, a configuração óptima para o Controlo de Frequências do FILTRO PASSA-BAIXO será entre 0,6 e 0,9 vezes a frequência de -3dB, dependendo do alinhamento do decaimento de graves. Quanto mais gradual for a taxa de decaimento de graves das colunas satélite, mais baixa deverá ser a definição da frequência.

Se tem as colunas satélite com saída de altas frequências (figs 8, 9, 12, 13).

- Defina a frequência do FILTRO PASSA-BAIXO inicialmente para 80Hz.

Veja também a secção "Ajustes óptimos".

Ajustes óptimos

Cinema em Casa

Com Cinema em Casa o sinal do subwoofer (LFE) é um canal separado em vez de uma extensão do sinal para as colunas satélite. O FILTRO PASSA-BAIXO está desligado, porque o processador dá toda a filtragem a quaisquer colunas configuradas como "small". De qualquer forma, a posição do interruptor de FASE (PHASE) deve ainda ser mexida. Normalmente a FASE deve ser definida como 0°, mas se o subwoofer está posicionado a uma distância significativamente diferente das outras colunas, ou o amplificador de potência que alimenta as outras colunas inverte o sinal, a posição de 180° pode ser preferível. Ouça com o interruptor em ambas as posições e escolha aquela que lhe dá o som mais completo. Se a diferença for pouca, deixe o interruptor em 0°.

Normalmente, os processadores A/V têm um sinal de ruído calibrado que pode ser usado para definir os níveis relativos de todas as colunas, tornando assim esta tarefa mais avançada do que para 2 canais áudio. De qualquer forma, não tenha medo de alterar as configurações conforme a sua preferência. É de todo bastante fácil deixar-se levar pelas capacidades do subwoofer, especialmente com alguns efeitos de frequência muito baixa. Consegue-se frequentemente uma imagem mais realista, e mais satisfatória a longo prazo, configurando o nível do subwoofer abaixo do nível standard de calibragem.

2 canais audio

As definições óptimas do interruptor de FASE (PHASE) e do Controlo de Frequências do FILTRO PASSA-BAIXO estão inter-relacionados e também dependentes da característica do bypass de baixas frequências da coluna satélite. De qualquer forma, as definições acima recomendadas para o FILTRO PASSA-BAIXO e FASE foram escolhidas para que sejam bem adicionados os alinhamentos de graves, sendo em sistema de caixa selado ou ventilado (reflex), com frequências de

-6dB dentro do intervalo de ajuste do subwoofer.

Se as colunas satélite estão a ser alimentadas através do filtro passa-alto do subwoofer, a frequência precisará de ser configurada mais baixa do que o valor inicial 80Hz se a frequência de -3dB das colunas satélite está acima de 80Hz e mais alta se abaixo.

Configure o sistema na posição preferida e faça audições de materiais com um grave firme.

Usando o guia inicial de configuração, primeiro verifique a configuração do interruptor de FASE (PHASE). Escolha a posição que lhe dá o som mais completo. A posição normalmente recomendada será ótima, mas poderá não o ser em certas circunstâncias, tal como se está a usar ligações de linha e o amplificador de potência que está a alimentar as colunas satélite inverter o sinal, ou se os subwoofers não estão posicionados perto das colunas satélite.

Use uma grande variedade de material em audição para conseguir uma configuração média. O que lhe pode soar impressionante numa audição poderá soar sobrealimentado noutra. Ouça a níveis realistas visto que a percepção de equilíbrio varia com os níveis de som.

Finalmente, ajuste a frequência do FILTRO PASSA-BAIXO para dar uma transição mais suave entre o subwoofer e as colunas satélite. Isto é provavelmente o mais difícil de otimizar.

Para todas as aplicações

O interruptor EQ altera o alinhamento do decaimento de graves. O grave que ouve é uma combinação do subwoofer com os efeitos da sala e deve escolher a posição que melhor complementa a sua sala e a posição do subwoofer. Posição A dá-lhe uma resposta mais seca, mais apropriado para a colocação do subwoofer num canto ou compensando uma sala com tendência a ressoar no grave. Posição B é apropriada a uma sala acusticamente seca e com uso do subwoofer longe dos cantos.

Se tiver problemas de desequilíbrio na reprodução de graves – se algumas notas baixas estão exageradas em relação a outras – isto quer dizer que terá provavelmente um problema de interacção com a própria sala de audição, que poderá em princípio ser resolvido alterando a posição do subwoofer. Aquilo que poderá parecer uma pequena alteração de posição – cerca de 15cm – poderá ter um efeito profundo no som. Experimente levantar o subwoofer do chão assim como a deslocação lateral do mesmo. A utilização de vários subwoofers pode suavizar o efeito de ressonâncias da sala uma vez que cada subwoofer tem tendência para excitar ressonâncias a diferentes frequências. Se alterar de forma apreciável as distâncias relativas do(s) subwoofer(s) e colunas satélite ao ouvinte, controle novamente a posição do comutador de fase. Deverá verificar também o ajuste de nível do subwoofer (utilizando tanto o controlo de nível de saída como do descodificador ou o controlo de volume do amplificador do

subwoofer), mas apenas após escolher a posição correcta do comutador de fase.

Quando usar mais do que um subwoofer, certifique-se que cada um tem a frequência do FILTRO PASSA-BAIXO e FASE definidas da mesma maneira.

Cuidados com o subwoofer

A caixa do subwoofer pode ser limpa apenas com um pano seco. Se preferir utilizar um produto de polimento em spray, deverá pulverizar sobre o pano e depois aplicar (nunca pulverizar directamente sobre o equipamento). Remova cuidadosamente a grelha afastando-a da caixa e limpe-a com uma escova macia.

Não utilize o subwoofer como mesa. Os objectos colocados sobre ele chocam e deterioram a qualidade de som. Os líquidos são particularmente perigosos (por exemplo bebidas ou vasos de flores), deve pois conservá-los o mais afastados possível do equipamento.

Se o seu sistema não for utilizado por um longo período de tempo, desligue o subwoofer da alimentação.

Italiano

Garanzia limitata

Egregio cliente

Un benvenuto da parte della B&W.

Questo prodotto è stato progettato e fabbricato secondo i più alti standard qualitativi. Tuttavia, nell'improbabile caso di un guasto o malfunzionamento, B&W Loudspeakers e i suoi distributori nazionali garantiscono parti sostitutive e mano d'opera gratuite (alcune eccezioni sono possibili) nei paesi in cui è presente un distributore ufficiale B&W.

Questa garanzia limitata è valida per un periodo di cinque anni dalla data di acquisto o di due anni per i componenti elettronici, altoparlanti inclusi.

Termini e condizioni

- 1 La garanzia è limitata alla sola riparazione delle apparecchiature. La garanzia non copre i costi di trasporto o nessun altro tipo di costo, né i rischi derivanti dalla rimozione, il trasporto e l'installazione dei prodotti.
- 2 La garanzia è valida solo per l'acquirente originario e non è trasferibile.
- 3 Questa garanzia è applicabile solo in caso di materiali e/o fabbricazione difettosi al momento dell'acquisto e non è applicabile nei seguenti casi:
 - a danni causati da installazione, connessione o imballaggio incorretti,
 - b danni causati da un uso inadeguato del prodotto, diverso dall'uso specificato nel manuale dell'utente, negligenza, modifiche o impiego di componenti non fabbricati o autorizzati da B&W,
 - c danni causati da apparecchiature ausiliarie difettose o inadatte,
 - d danni causati da incidenti, fulmini, acqua, fiamme, calore, guerra, disordini pubblici o altra causa al di fuori del ragionevole controllo di B&W e i suoi ufficiali distributori,
 - e quando il numero di serie del prodotto è stato alterato, cancellato, rimosso o reso illeggibile,
 - f se riparazioni o modifiche sono state effettuate da persone non autorizzate.
- 4 Questa garanzia completa le obbligazioni di legge regionali e nazionali dei rivenditori o distributori nazionali e non incide sui diritti del consumatore stabiliti per legge.

Riparazioni sotto garanzia

Se sono necessarie delle riparazioni, seguire le procedure delineate qui di seguito:

- 1 Se le apparecchiature sono utilizzate nel paese in cui sono state acquistate, contattare il rivenditore autorizzato B&W da cui sono state acquistate.
- 2 Se le apparecchiature non sono utilizzate nel paese in cui sono state acquistate, contattare il distributore

nazionale B&W nel paese di residenza, che sarà in grado di fornire i dettagli della ditta incaricata delle riparazioni. Contattare B&W nel Regno Unito o visitare il sito web per i dettagli dei vari distributori di zona.

Per convalidare la garanzia, bisognerà esibire questo opuscolo, compilato e timbrato dal rivenditore il giorno dell'acquisto. In alternativa, si potrà esibire lo scontrino d'acquisto originale o altro tipo di prova d'acquisto con data d'acquisto.

Manuale di istruzioni

IMPORTANTI ISTRUZIONI DI SICUREZZA



Avvertenza:

Per ridurre il rischio di scossa, non togliete il coperchio del cabinet. Non contiene parti utili per l'utente. Per l'assistenza fate riferimento a personale qualificato.

Spiegazione dei simboli grafici



Il fulmine inserito in un triangolo vi avverte della presenza di materiale non isolato ad "alto voltaggio" all'interno del prodotto che può costituire pericolo di folgorazione.



Il punto esclamativo entro un triangolo equilatero vi avverte della presenza di istruzioni importanti per l'utilizzo e la manutenzione nel manuale che accompagna l'apparecchiatura.

PRIMA DELL'USO:

- 1 Leggere le istruzioni – Le istruzioni d'uso e di sicurezza dovrebbero essere lette prima dell'utilizzo del prodotto.
- 2 Conservare le istruzioni – Le istruzioni d'uso e di sicurezza vanno conservate per farvi riferimento in futuro.
- 3 Precauzioni – Seguite tutte le avvertenze e le istruzioni di sicurezza riportate in questo manuale e sul prodotto stesso.
- 4 Seguite le istruzioni – Seguite tutte le indicazioni sull'utilizzo del prodotto.
- 5 Alimentazione – L'apparecchiatura dovrebbe essere collegata solamente a una sorgente elettrica del tipo e del voltaggio indicato sul pannello posteriore. Se non siete sicuri del tipo di alimentazione che avete in casa consultate il vostro ente fornitore di energia elettrica.
- 6 Messa a terra o polarità – L'apparecchio non necessita di messa

a terra. Assicuratevi che la spina sia completamente inserita nella presa o nella prolunga per evitare l'esposizione della parte in tensione. Versioni del prodotto per l'utilizzo con alimentazione a 110-120 V vengono fornite di un cavo di alimentazione provvisto di spina polarizzata (una spina con una lamella più larga delle altre). Questa spina entra nella presa di alimentazione solo in un senso per una questione di sicurezza. Se non riuscite ad inserire la spina completamente in un senso provate a girarla. Se ancora non riuscite ad inserirla completamente, contattate il vostro elettricista per sistemarla. Non cercate di modificare il cavo fornito o la spina polarizzata. Se dovete utilizzare una prolunga o un cavo di alimentazione diverso da quello fornito in dotazione, assicuratevi che sia appropriato per l'uso che dovete farne e che rispetti le norme di sicurezza vigenti nel vostro paese.

- 7 Protezione del cavo di alimentazione – Non fate passare i cavi di alimentazione dove potrebbero essere calpestati o danneggiati da oggetti posti vicino o sopra di essi, fate particolare attenzione al posizionamento del cavo di alimentazione in corrispondenza della presa e dal punto da cui esce dall'apparecchiatura.
 - 8 Sovraccarico – Non sovraccaricate le prese di alimentazione, prolunghie o accessori di derivazione.
 - 9 Ventilazione – Il pannello posteriore dell'amplificatore posto dietro al prodotto è parte integrante del sistema di raffreddamento e non dovrebbe essere soffocato posizionandolo su un letto, divano, tappeto, o superfici simili che possano bloccare le aperture di ventilazione. Assicuratevi che sia ventilato adeguatamente e che l'aria circoli dietro al pannello posteriore dell'amplificatore. Non utilizzatelo in uno scaffale, in una libreria, in un cabinet o in una installazione chiusa, a meno che il volume dietro all'apparecchio sia adeguato per assicurare la ventilazione necessaria.
 - 10 Fonti di calore – L'apparecchio dovrebbe essere posizionato lontano da fonti di calore come caloriferi, stufette o altri prodotti (inclusi gli amplificatori) che producano calore.
 - 11 Montaggio a muro o a soffitto – L'apparecchio può essere montato a soffitto o a muro seguendo le precauzioni del produttore.
 - 12 Umidità – Non esponete questo prodotto vicino all'acqua – o per esempio, vicino a tubazioni, lavandini, cucine, tubi della lavatrice, vicino a piscine o ambienti umidi in genere.
 - 13 Oggetti o liquidi caduti nel prodotto – Non inserite mai oggetti di ogni genere all'interno del prodotto attraverso le fessure, potrebbero toccare parti in tensione o cortocircuitare componenti che provocherebbero scosse elettriche o fiamme che potrebbero provocare
- incendi. Non spruzzate mai liquidi di nessun genere sul prodotto. Non appoggiare alcun oggetto contenente del liquido sopra il prodotto.
- 14 Pulizia – Scollegate l'alimentazione dell'apparecchio prima di pulirlo. Seguite le istruzioni riportate nella sezione "Manutenzione".
 - 15 Fissaggi – Non utilizzare supporti di fissaggio non raccomandati dal produttore, potrebbero creare problemi.
 - 16 Accessori – Non posizionate questo prodotto su carrelli, piedistalli, treppiedi, mensole o tavoli instabili. Il prodotto potrebbe cadere e danneggiarsi o causare danni ad adulti o bambini. Utilizzate solo piedistalli o stand raccomandati dal costruttore o venduti con il prodotto. Ogni installazione di questo prodotto deve sempre seguire le istruzioni di montaggio e devono sempre essere utilizzati accessori raccomandati dal costruttore.
 - 17 Spostamento dell'apparecchio – Il prodotto posizionato su un supporto deve sempre essere spostato con molta cautela. Fare movimenti bruschi, spingere troppo forte o trascinarlo su superfici scorse potrebbe causare il rovesciamento dell'apparecchio e del supporto. Controllate che non ci siano cavi sotto il tappeto prima di posizionarlo che potrebbero essere danneggiati dalle punte sulla base. Non trascinate il prodotto sui piedini che si potrebbero staccare dal cabinet e danneggiarsi. Fate attenzione a non procurarvi ferite con le punte del cabinet.
 - 18 Periodi di non utilizzo – Quando l'apparecchio non viene utilizzato per lunghi periodi scollegare l'alimentazione.
 - 19 Riparazione – Non cercate di riparare da soli questo prodotto, l'apertura o la rimozione di componenti della struttura potrebbe esporre parti in tensione o procurare altri rischi. Per ogni tipo di intervento interpellate il centro di assistenza qualificata.
 - 20 Necessità di assistenza tecnica – Scollegate il prodotto dall'alimentazione e consultate il vostro centro di assistenza tecnica autorizzato per le seguenti anomalie:
 - a Quando il cavo di alimentazione o la spina siano stati danneggiati.
 - b Se del liquido o degli oggetti siano penetrati nell'apparecchio.
 - c Se l'apparecchio è stato esposto a pioggia o acqua.
 - d Se il prodotto non funziona normalmente seguendo le istruzioni. Eseguite la taratura del prodotto solo come descritto sulle istruzioni d'uso, una errata impostazione o modifica di altri componenti potrebbe comportare un notevole lavoro da parte di un tecnico dell'assistenza per riportare il

prodotto alle condizioni originali di funzionamento.

- e Se l'apparecchio è stato danneggiato o manomesso.
 - f Se le prestazioni dell'apparecchio dovessero cambiare nel tempo, questo indica che necessita un intervento tecnico.
- 21 Sostituzione di parti – Quando si rende necessario sostituire un componente, assicuratevi che il centro assistenza utilizzi solo ricambi originali. Riparazioni con ricambi non appropriati potrebbero danneggiare l'apparecchio e causare rischi di scossa elettrica o incendi.
- 22 I fusibili di protezione sono posizionati all'interno dell'amplificatore e la loro sostituzione richiede l'intervento di un tecnico autorizzato. Le caratteristiche dei fusibili sono descritte nelle specifiche tecniche.
- 23 Controlli di sicurezza – Dopo ogni intervento di manutenzione o riparazione sull'apparecchio, richiedete al tecnico di effettuare un controllo generale dei dispositivi di sicurezza per assicurarsi che il prodotto operi nelle condizioni ottimali.
- 24 Campi magnetici – Questo prodotto crea un campo magnetico diffuso. Non posizionare nessun oggetto che potrebbe venire danneggiato da questo campo magnetico (ad esempio televisori a tubo catodico, monitor di computer, cassette audio e video o carte magnetiche) nel raggio di 0,5m dall'apparecchio. Il campo magnetico potrebbe causare distorsioni dell'immagine prodotta dal tubo catodico del televisore se posto al di sotto della distanza minima consigliata.

Introduzione

Grazie per aver acquistato questo subwoofer attivo B&W.

Fin dalla sua fondazione nel 1966, la costante filosofia di B&W è stata quella di ricercare una perfetta riproduzione del suono. Questa ricerca, ispirata dal fondatore della società, John Bowers, ha comportato non solo un elevato investimento in tecnologia audio ed innovazioni, ma ha anche significato una costante rivalutazione della musica e della qualità sonora nei film per garantire il massimo rendimento della tecnologia stessa.

Questo subwoofer è stato progettato per installazioni home theatre e per aumentare la risposta alle basse frequenze dei diffusori 'full range' nell'uso audio a 2 canali.

L'aggiunta del subwoofer al vostro sistema non solo estende le basse frequenze a ottave inferiori, ma migliora la purezza della gamma media riducendo le richieste di basse frequenze ai vostri attuali diffusori.

Vi preghiamo di leggere attentamente questo manuale prima di usare il subwoofer. Tutti gli impianti audio richiedono diverse prove di taratura al fine di utilizzare in maniera ottimale i prodotti e questo manuale vi guiderà in questo procedimento.

Appena collegato il subwoofer alla rete di alimentazione è importante conoscere le istruzioni di sicurezza e seguire le avvertenze.

Conservate questo manuale in un posto sicuro per successive consultazioni.

I diffusori B&W sono distribuiti in più di 60 paesi in tutto il mondo con una rete internazionale di distributori esclusivi accuratamente selezionati. Se avete un problema che il vostro rivenditore non può risolvere, i nostri distributori saranno lieti di assistervi.

Sballaggio (figura 1)

Il modo migliore per togliere dall'imballo il Subwoofer è il seguente:

- Aprite totalmente i lembi della scatola e capovolgete il cartone con il suo contenuto.
- Sollevate il cartone togliendolo dal prodotto.

Vi raccomandiamo di conservare l'imballo per un successivo utilizzo.

Oltre a questo manuale nell'imballo troverete:

- 1 Subwoofer
- 4 Piedini in gomma
- 4 Piedini a punta con dadi di fissaggio
- 1 Garanzia

Uno sguardo al subwoofer (figura 2)

- 1 Fori di ventilazione
- 2 Connettori degli altoparlanti
- 3 Connettori di linea
- 4 Interruttore di EQ(equalizzazione)
- 5 Controllo frequenza FILTRO PASSA BASSO
- 6 Interruttore di FASE
- 7 Interruttore di by-pass per FILTRO PASSA BASSO
- 8 Interruttore MODE On/Auto
- 9 Spia alimentazione/Standby
- 10 Controllo VOLUME
- 11 Cavo di alimentazione
- 12 Interruttore On/Off

Come sfruttare al meglio il subwoofer

Applicazione: Home Theatre

La funzione principale del subwoofer è di riprodurre i segnali alle basse frequenze (LFE). Il processore può anche essere configurato per deviare le basse frequenze di alcuni o di tutti i canali verso il subwoofer, configurando i relativi diffusori in modalità "small" nella procedura di set up.

Applicazione: Stereo a due canali

Il subwoofer è utilizzato per estendere la risposta alle basse frequenze delle due casse principali. Nella maggior parte dei casi, i risultati migliori si ottengono se i due diffusori vengono pilotati normalmente dall'amplificatore in full range senza tagli di frequenza. Il filtro passa-basso del

subwoofer deve essere quindi impostato in modo che il subwoofer intervenga quando i diffusori non riescono più a riprodurre le frequenze più basse. Tuttavia, se si utilizzano diffusori molto piccoli, la riproduzione potrebbe essere penalizzata dal sovraccarico dei woofer dei diffusori dovuta ai loro limiti strutturali. In questo caso, si può ovviare utilizzando il filtro passa-alto del subwoofer per limitare l'invio dei segnali a bassa frequenza verso i diffusori.

Posizionamento del subwoofer

Poiché il subwoofer riproduce solo note molto basse, il posizionamento è in qualche modo meno impegnativo di quello dei diffusori full range. La direzionalità dell'informazione musicale è molto meno precisa e voi avete maggiore scelta sul posizionamento dei diffusori per ottenere il miglior effetto. Detto questo, i risultati migliori si ottengono se il subwoofer viene collocato fra i diffusori destro e sinistro o in prossimità di uno di essi. Se utilizzate due subwoofer è meglio collocarne uno vicino ad ogni diffusore.

Collocare il subwoofer dietro agli ascoltatori, anche in installazioni home theatre, generalmente genera una immagine acustica inferiore, tuttavia può risultare un compromesso accettabile nel caso fosse dettato da limitazioni di spazio dell'ambiente dove viene installato.

Così come per tutti i tipi di diffusori, la vicinanza con le pareti della stanza condiziona il suono. Generalmente i bassi aumentano quando i diffusori vengono posizionati vicino alle pareti o negli angoli. Tuttavia, a differenza dei diffusori a gamma estesa, potete sempre ricreare il corretto bilanciamento di tutto il sistema modificando il livello di volume del subwoofer. Più la stanza tende ad amplificare le basse frequenze, meno il subwoofer deve lavorare; ma c'è un inconveniente. Posizionando i diffusori negli angoli vengono amplificate le basse frequenze nella stanza rendendo il basso più irregolare. Non c'è alcuna alternativa per ovviare a questo inconveniente se non sperimentare le varie posizioni in quanto ogni locale si comporta diversamente, pertanto provate il subwoofer in varie posizioni prima di prendere la decisione finale. Un brano musicale con una scala di bassi ascendente e discendente è utile per determinare la linearità della risposta alle basse frequenze. Provate ad ascoltare gli estremi inferiori e superiori della gamma dei bassi. La presenza di un subwoofer separato dai diffusori vi consente di ottimizzare le risonanze della stanza indipendentemente dalla collocazione dei diffusori per ottenere un'immagine sonora ottimale.

Se il subwoofer deve essere utilizzato in uno spazio angusto (per esempio in un mobile dedicato), il suo alloggiamento dovrà essere ventilato per consentire una sufficiente circolazione d'aria per raffreddare l'unità. Chiedete consiglio al vostro rivenditore.

Il subwoofer viene fornito con quattro piedini a punta. In caso di posizionamento su di un tappeto, le punte sono studiate

per trapassare il tappeto fornendo un solido sostegno direttamente sulla superficie del pavimento senza danneggiare la trama.

Se il subwoofer deve essere collocato su una superficie delicata, come un pavimento in legno, o collocate un dischetto protettivo sotto ogni punta o applicate al posto delle punte i quattro piedini in gomma.

Quando montate i piedini in gomma o le punte, avvitate prima completamente i dadi sulla parte filettata, poi avvitate i piedini saldamente sugli inserti filettati alla base del cabinet. Se il subwoofer non è stabile regolate la punta o il piedino sul lato verso cui si inclina fino a ottenere la stabilità ottimale, poi riavvitare il dado del piedino o della punta che avete allentato per effettuare la regolazione.

Collegamenti elettrici

Scollegate tutto l'impianto audio dall'alimentazione fino a che i collegamenti siano stati effettuati e controllati. Ciò evita il rischio di danni durante le operazioni di collegamento o che questi possano essere interrotti.

Il subwoofer può ricevere ed inviare segnali attraverso i connettori RCA Phono ed i connettori di uscita per i diffusori collocati sul pannello posteriore.

Utilizzate la seguente tabella per scegliere il corretto metodo di cablaggio per il vostro impianto:

Applicazione: Home Theatre

Processore con amplificatori di potenza separati che pilotano uno o più subwoofers – fig 3

- collegando l'uscita subwoofer di linea – fig 4
- collegando l'uscita subwoofer degli altoparlanti – fig 5

Applicazione: Stereo 2 canali

Preamplificatore e amplificatori separati:

- Segnale full range ai diffusori più:
 - 1 subwoofer – fig 6
 - 2 subwoofers – fig 7
- Segnale filtrato passa-alto ai diffusori più:
 - 1 subwoofer – fig 8
 - 2 subwoofers – fig 9

Amplificatore integrato:

- Segnale full range ai diffusori più:
 - 1 subwoofer – fig 10
 - 2 subwoofers – fig 11
- Segnale filtrato passa-alto ai diffusori più:
 - 1 subwoofer – fig 12
 - 2 subwoofers – fig 13

Utilizzo di più subwoofers

Usando più di un subwoofer in un impianto si può migliorare la resa in questo modo:

- Mantenendo la separazione stereo alle frequenze più basse.
- Sfruttando stanze più grandi.
- Utilizzando l'uscita audio qualitativamente migliore – spesso utile per riprodurre gli effetti speciali nelle applicazioni Home Theater.
- Cercando di eliminare gli effetti delle risonanze nel locale di ascolto sulle basse frequenze.

Se state utilizzando due subwoofer per un ascolto stereo a 2 canali, la separazione stereo viene migliorata se ogni canale ha il proprio subwoofer, purché ciascun nodo dei sia collocato vicino al diffusore relativo. Utilizzate solamente i collegamenti mono della figura 8 se non potete collocare ogni subwoofer vicino al suo diffusore.

Controllo ulteriore dei collegamenti

ASSICURATEVI CHE IL VOLTAGGIO INDICATO SUL PANNELLO DELL'AMPLIFICATORE SIA UGUALE A QUELLO DELLA RETE DI ALIMENTAZIONE.

Prima di ascoltare il vostro nuovo impianto e di metterlo a punto controllate accuratamente i collegamenti. Troppo spesso gli utenti si lamentano di non riuscire ad ottenere un suono decente nonostante regolino i controlli per poi scoprire che qualche collegamento è stato effettuato male. Assicuratevi che:

- La fase sia posizionata correttamente – non ci devono essere collegamenti tra connettore positivo e negativo verso i diffusori. Se qualcosa è fuori fase avrete un suono confuso con un'immagine imprecisa e fluttuante, una mancanza di basse frequenze o una combinazione delle due.
- Il canale destro e quello sinistro non siano invertiti – Questo può produrre come risultato, per esempio, che l'orchestra si trovi nella posizione opposta o, ancor peggio, che i suoni nel vostro sistema home theatre vadano nella direzione opposta all'azione sullo schermo.

Accensione e spegnimento

Vi raccomandiamo di accendere il subwoofer prima degli amplificatori di potenza. Allo stesso modo quando lo spegnete disinserite il subwoofer per ultimo.

L'interruttore MODE On/Auto (8) e il led indicatore di accensione (9) funzionano in questo modo:

On:

Con l'interruttore in questa posizione, l'amplificatore resta costantemente acceso e la spia è verde.

Auto:

Non appena si attiva il subwoofer su Auto, l'amplificatore diventa completamente attivo e la spia (9) diventa verde. Dopo un periodo di circa 5 minuti senza un segnale di ingresso, l'amplificatore automaticamente ritorna in modalità standby e la spia diventa rossa. Quando viene rilevato un segnale in ingresso, l'amplificatore si riaccende automaticamente e la spia diventa verde.

Regolazione dei comandi

Ci sono 5 possibili regolazioni:

- Il controllo del VOLUME (10)
- Il controllo della FREQUENZA PASSA BASSO (5)
- L'interruttore del FILTRO PASSA BASSO (7)

- L'interruttore della FASE (6)
- L'interruttore di EQ (equalizzazione) (4)

Le regolazioni ottimali dipendono dagli altri apparecchi utilizzati con il subwoofer. Se utilizzate più di un subwoofer, assicuratevi che i parametri di regolazione su ciascuno di essi siano gli stessi.

Utilizzo con decoder Home Theater

Il subwoofer non è un componente con certificazione THX®, ma può essere utilizzato con un preamplificatore THX® se si vuole.

- Inizialmente regolate il comando del VOLUME in posizione ore 9.
- Regolate l'interruttore di FREQUENZA PASSA-BASSO su OUT.
- Regolate l'interruttore EQ inizialmente in posizione A.
- Spostate l'interruttore Fase inizialmente su 0°.
- La regolazione del comando di FREQUENZA PASSA BASSO è irrilevante.

Consultate anche il paragrafo sulla perfetta "Messa a punto".

Se avete un processore THX® assicuratevi che la funzione subwoofer sia abilitata. In questo modo tutti i filtri e le regolazioni necessarie al subwoofer in tutte le modalità di ascolto sono inseriti. Per la calibrazione dei livelli, dovrebbero essere usati il test di rumore interno e le regolazioni di livello dei canali. In tutti i casi i livelli dovrebbero essere regolati in modo tale da ottenere 75 dB di pressione sonora (pesato C) nella posizione d'ascolto del segnale test interno del processore.

Con altri processori, configurate i diffusori anteriori e surround come "large" o "small" come desiderate, prima di regolare i livelli. Utilizzate il segnale interno di test e le regolazioni di volume del processore per regolare i livelli di tutti i diffusori. Agite sul VOLUME del subwoofer solo se con il processore non riuscite ad ottenere i giusti livelli di segnale desiderato.

Misuratori di livello sonoro poco costosi sono facilmente reperibili presso i negozi di elettronica e dovrebbero essere usati per regolare accuratamente i livelli. Fate riferimento al manuale di istruzioni per ulteriori dettagli sulle regolazioni dei livelli.

Utilizzo per l'audio a 2 canali

- Inizialmente regolate il comando del VOLUME in posizione ore 9.
- Regolate il selettore di FREQUENZA PASSA BASSO su IN.
- Regolate l'interruttore EQ in posizione A.
- Spostate l'interruttore Fase su 180°.

Se utilizzate diffusori satelliti full range (fig. 6, 7, 10, 11).

- Regolate il selettore di FREQUENZA PASSA BASSO su a -6dB dei diffusori satelliti.

Le caratteristiche -3dB e -6dB si possono verificare sulle specifiche di tutti i tipi

diffusori B&W. Comunque se il produttore dei vostri diffusori non specifica la frequenza a -6dB, ma solo quella a -3dB, il settaggio ottimale per il FILTRO PASSA BASSO dovrebbe essere tra 0.6 e 0.9 volte la frequenza a -3dB, in base alla curva di caduta del segnale. Più graduale sarà la curva di caduta del diffusore, più l'impostazione della frequenza dovrà essere verso il basso.

Se utilizzate i diffusori satelliti passando attraverso il filtro passa alto (fig 8, 9, 12, 13).

- Regolate il FILTRO PASSA BASSO su 80Hz.

Vedere anche la sezione "Messa a punto".

Messa a punto

Home theatre

In configurazione home theatre il segnale del subwoofer (LFE) è un canale separato più che un'estensione del segnale ai diffusori satelliti. Il FILTRO PASSA BASSO viene disattivato, perché il processore fornisce tutti i filtri per qualsiasi diffusore posto su "small". Tuttavia, la posizione dell'interruttore di fase può essere variata a piacere. Normalmente la fase sarà settata su 0°, ma se il subwoofer viene posto a una notevole distanza dagli altri diffusori, oppure l'amplificatore di potenza che pilota gli altri diffusori inverte il segnale, potrebbe essere consigliabile la posizione a 180°. Ascoltate la riproduzione di un brano con l'interruttore in entrambe le posizioni e scegliete quello che vi sembra il suono più pieno. Se la differenza è minima, lasciate l'interruttore a 0°.

In genere i processori surround hanno un segnale di test calibrato che può essere utilizzato per impostare i livelli di tutti i diffusori, rendendo il compito in un certo senso più semplice che con l'audio a 2 canali. Tuttavia, non abbiate paura ad alterare le regolazioni secondo le vostre preferenze. È facile lasciarsi trasportare dalla potenzialità dinamica del subwoofer, in particolar modo con alcuni effetti sulle basse frequenze. Spesso è possibile ottenere un'immagine più realistica e una più soddisfacente, regolando il livello del subwoofer più basso del livello di calibrazione standard.

Audio a 2 canali

Le regolazioni ottimali della FASE e della frequenza del FILTRO PASSA BASSO sono correlate e dipendono anche dalla caratteristica della frequenza di taglio delle basse frequenze dei diffusori satelliti.

Le regolazioni consigliate per il FILTRO PASSA BASSO e la FASE devono essere impostate per aggiungere nel miglior modo possibile bassi profondi ed allineati a quelli riprodotti dai diffusori, sia in cassa chiusa che con bass-reflex, con un taglio di frequenza a -6dB contenuta all'interno dell'ampiezza di regolazione del subwoofer.

Se pilotate i diffusori passando attraverso il filtro passa alto del subwoofer, la frequenza del subwoofer dovrà essere impostata più in basso del valore iniziale di 80Hz se la frequenza a -3dB dei diffusori è minore di 80Hz, più in alto se maggiore di 80Hz.

Sistemate l'impianto nella posizione preferita ed ascoltate alcuni brani con un ricco contenuto di basse frequenze.

Utilizzate la guida iniziale per le impostazioni, per prima cosa controllate la posizione del selettore FASE. Scegliete la posizione in cui il suono vi sembra più pieno. Normalmente la posizione consigliata nella guida è quella ottimale, ma potrebbe variare in alcuni casi, ad esempio se state usando le uscite di linea e l'amplificatore che pilota i diffusori inverte il segnale, o se i subwoofers non sono posizionati vicino ai relativi satelliti.

Regolate il loudness del subwoofer a vostro piacimento. Provate ad ascoltare un'ampia varietà di brani per trovare una regolazione ottimale dell'impianto. Potreste riscontrare che un brano ad un determinato livello di regolazione ha un suono eccezionale, ed un altro brano allo stesso livello di loudness può risultare eccessivamente potente. Ascoltate ad un volume normale e non eccessivo poiché la percezione del bilanciamento varia in funzione del livello sonoro.

Infine regolate la frequenza del FILTRO PASSA BASSO del subwoofer il più vicino possibile alla frequenza minima raggiungibile dai diffusori, in modo da minimizzare la sensazione di vuoto che potrebbe venirsì a creare tra esse. Questa probabilmente è l'operazione più difficile da effettuare.

Tutte le applicazioni

Il selettore EQ agisce sull'allineamento della curva dei bassi. I suoni bassi riprodotti sono una combinazione del subwoofer più gli effetti derivati dalla risonanza del locale, quindi scegliete la posizione dei componenti dell'impianto nella stanza che vi dà migliori risultati. La posizione A è adatta per il posizionamento del subwoofer in un angolo o per compensare una stanza che rimbomba. La posizione B è invece più adatta per una stanza con una resa acustica neutra ed un posizionamento del subwoofer lontano dagli angoli.

Se avete problemi di bassi eccessivi – se alcune note basse sono esuberanti più di altre – probabilmente avete problemi dovuti all'ambiente d'ascolto ed è consigliabile intervenire sul posizionamento del subwoofer. Quelli che possono sembrare piccoli spostamenti – anche di 15 cm – possono avere effetti molto rilevanti sul suono. Provate a rialzare dal pavimento il subwoofer allontanandolo anche dai lati del locale. L'utilizzo di più subwoofer può attenuare gli effetti delle risonanze della stanza poiché ogni subwoofer tenderà a stimolare risonanze a frequenze diverse. Se modificate in modo considerevole la distanza fra i subwoofer e i diffusori satellite e gli ascoltatori, effettuate nuovamente la regolazione della fase. Dovreste anche verificare il livello di uscita del subwoofer (utilizzando sia i controlli sui livelli di uscita del processore, sia il volume sull'amplificatore del subwoofer in maniera adeguata) ma solo dopo aver regolato correttamente la fase.

Se utilizzate più di un subwoofer, assicuratevi che i parametri di regolazione

del FILTRO PASSA BASSO e della FASE di entrambi siano gli stessi.

Cura del subwoofer

Il cabinet del subwoofer può essere pulito spolverandolo con un panno asciutto. Se preferite utilizzare un prodotto spray per la pulizia, non spruzzatelo direttamente sul cabinet, spruzzatelo sul panno. Rimuovete la griglia di protezione, altrimenti il panno si potrebbe macchiare, facendo attenzione a non danneggiare la membrana dell'altoparlante. Il panno della griglia può essere pulito con una spazzola morbida.

Non utilizzate il subwoofer come un tavolo. Quando è in funzione gli oggetti lasciati sul piano superiore tendono a vibrare. In particolare, evitate di posizionare contenitori con liquidi o bicchieri pieni che potrebbero rovesciarsi ed essere versati sul subwoofer.

Se l'impianto non viene usato per parecchio tempo, scollegate il subwoofer dalla alimentazione.

Nederlands

Beperkte garantie

Beste klant,

Welkom bij Bowers & Wilkins.

Dit product is volgens de hoogste kwaliteitsnormen ontworpen en vervaardigd. Mocht er iets defect raken, dan biedt B&W Loudspeakers en haar nationale distributeurs u vervangende onderdelen en wordt geen arbeidsloon in rekening gebracht (behoudens een paar uitzonderingen). Dit geldt in elk land waar een officiële B&W distributeur gevestigd is.

De beperkte garantie geldt voor een periode van vijf jaar vanaf de datum van aankoop, en twee jaar voor de elektronica van actieve luidsprekers.

Voorwaarden

- De garantie is beperkt tot de reparatie van de apparatuur. Transport- of andere kosten, noch het verwijderen, vervoeren en installeren van producten vallen niet onder deze garantie.
- De garantie geldt alleen voor de eerste eigenaar en is niet overdraagbaar.
- Deze garantie is niet van toepassing in andere gevallen dan defecten van materialen en/of fabricage ten tijde van aankoop en is niet van toepassing in de volgende gevallen:
 - Schade veroorzaakt door onjuiste installatie, aansluiting of verpakking.
 - Schade veroorzaakt door afwijkend gebruik dan in de handleiding beschreven, nalatigheid, wijziging, dan wel gebruik van onderdelen die niet door B&W goedgekeurd of gefabriceerd zijn.
 - Schade veroorzaakt door een defect of ongeschiktheid van aangesloten apparatuur.
 - Schade veroorzaakt door ongeval, bliksem, water, brand, hitte, oorlog, openbaar geweld of enige andere oorzaak die buiten de invloed van B&W en haar distributeurs valt.
 - Voor producten waarvan het serienummer gewijzigd, verwijderd, of onleesbaar gemaakt is.
 - Wanneer reparaties of wijzigingen uitgevoerd zijn door een onbevoegd persoon.
- Deze garantie is een aanvulling op eventuele nationale / regionale wettelijke verplichtingen voor dealers en nationale distributeurs en heeft geen invloed op uw statutaire rechten als consument.

Claimen van reparaties onder de garantie

Mocht u aanspraak menen te kunnen maken op garantie, ga dan als volgt te werk:

- Wordt de apparatuur gebruikt in het land van aankoop, neem dan contact op met de erkende B&W dealer waar u de apparatuur gekocht heeft.

- Wanneer de apparatuur wordt gebruikt in een ander land dan het land van aankoop, neem dan contact op met de nationale distributeur van B&W in het land waar u verblijft. Deze kan u vertellen waar u de apparatuur kunt laten repareren. In Groot-Brittannië kunt u contact met B&W opnemen of onze website bezoeken voor het adres van uw plaatselijke distributeur.

Om aanspraak op garantie te kunnen maken, wordt u gevraagd de ingevulde garantiefolder, op de aankoopdatum door uw dealer afgestempeld, te tonen. Een andere mogelijkheid is het originele aankoopbewijs of ander bewijs van eigendom en aankoopdatum tonen.

- Volg de aanwijzingen op – Volg alle aanwijzingen over veiligheid nauwgezet op.
- Netspanning – Gebruik het apparaat alleen op de netspanning die op de achterzijde van het apparaat staat aangegeven. Bent u niet zeker van de juiste spanning, raadpleeg dan uw leverancier.
- Aarde – Dit apparaat heeft geen randaarde nodig. Zorg dat de netstekker geheel in het stopcontact is gestoken. Versies voor gebruik in gebieden met 110 – 120 V netspanning zijn voorzien van een netsnoer met een gepolariseerde netstekker (waarvan de ene pen breder is dan de andere). Deze past om veiligheidsredenen slechts op één manier in het stopcontact. Lukt het niet de stekker geheel in het stopcontact te steken, draai de stekker dan om. Lukt het dan nog niet, raadpleeg dan een elektricien. Verwijder nooit de veiligheidsvoorzieningen van de stekker. Bij gebruik van een verlengsnoer of een ander netsnoer dan het bijgeleverde, altijd een exemplaar met aangesloten stekker gebruiken dat is goedgekeurd voor het land waarin het wordt gebruikt.

- Wees voorzichtig met netsnoeren – Leg een netsnoer altijd zo dat er niet op getrapt kan worden en zet er ook geen zware meubels e.d. op. Wees altijd voorzichtig met het snoer waar het het apparaat of de stekker verlaat.
- Overbelasting – Overbelast stopcontacten en/of groepen niet; dat kan tot brand en elektrische schokken leiden.
- Ventilatie – Het versterkerpaneel op de achterzijde is deel van de koeling van de versterker en mag niet afgedekt worden door het op een zachte ondergrond te plaatsen. Plaats het product evenmin in een afgesloten kastje, tenzij adequate maatregelen voor ventilatie zijn genomen.
- Warmte – Houd het apparaat uit de buurt van krachtige warmtebronnen zoals radiatoren, ovens en dergelijke (ook versterkers).
- Wand- of plafondbevestiging – Monteer het apparaat alleen aan de wand of het plafond op de door de fabrikant voorgeschreven wijze.
- Water en vocht – Gebruik dit product niet in de nabijheid van water – gootsteen, bad – bij een zwembad en dergelijke.
- Vreemde objecten, vloeistof – Zorg dat er nooit vreemde voorwerpen of vloeistof in het apparaat kunnen komen, daar dit tot gevaarlijke situaties kan leiden door kortsluiting, brand of elektrische schokken. Zet nooit voorwerpen die vloeistof bevatten op dit product.

Handleiding

BELANGRIJK VOOR UW VEILIGHEID



Waarschuwing:

Om het risico van elektrische schokken te vermijden de achterzijde niet openen. Er bevinden zich geen door de gebruiker te onderhouden onderdelen in het apparaat. Laat service over aan gekwalificeerde technici.

Betekenis van de symbolen:



Het symbool van de bliksemschicht in een gelijkzijdige driehoek waarschuwt de gebruiker voor de aanwezigheid van ongeïsoleerde, gevaarlijke spanningen binnen in het apparaat. Deze spanningen kunnen elektrische schokken veroorzaken.



Het uitroepteken in een gelijkzijdige driehoek waarschuwt de gebruiker voor de aanwezigheid van belangrijke informatie aangaande onderhoud en service in de gebruiksaanwijzing.

WAARSCHUWING

- Lees de aanwijzingen – Lees alle aanwijzingen over veiligheid en bediening zorgvuldig door voordat u het apparaat in gebruik neemt.
- Bewaars de aanwijzingen – Berg deze aanwijzingen op een veilige plaats op voor later gebruik.
- Neem waarschuwingen serieus – Houd rekening met alle aanwijzingen zowel op het apparaat als in deze handleiding.

- 14 Schoonmaken – Neem de stekker uit het stopcontact voordat u het apparaat schoonmaakt. Zie verder de paragraaf 'Schoonmaken' elders in deze handleiding.
- 15 Toebehoren – Gebruik om veiligheidsredenen nooit toebehoren die door de fabrikant niet zijn aanbevolen.
- 16 Opstelling – Plaats het product nooit op een niet stabiele ondergrond – stand, driepoot, tafeltje enz. – waardoor het kan omvallen, verwondingen kan veroorzaken en beschadigd kan raken. Gebruik alleen door de fabrikant aanbevolen opstellingen. Volg bij wand- of plafondmontage de aanwijzingen van de fabrikant op.
- 17 Verplaatsen – Het product en de stand o.i.d. voorzichtig verplaatsen. Zorg dat het niet kan omvallen. Steun het niet zijdelings op de pootjes, daar op die manier de pootjes uit de kast kunnen breken en deze ernstig beschadigen. Let op dat u uw voet niet verwondt met een spike!
- 18 Afwezigheid – Bent u voor langere tijd afwezig, neem dan de stekker uit het stopcontact.
- 19 Service – Probeer nooit het product zelf te repareren; door het te openen kunt u in aanraking komen met gevaarlijke spanningen. Laat service over aan een gekwalificeerde technicus.
- 20 Neem direct de stekker uit het stopcontact en waarschuw een technicus:
- Wanneer het netsnoer en/of de stekker beschadigd zijn.
 - Als vloeistof of vreemde voorwerpen in het apparaat terecht zijn gekomen.
 - Wanneer het apparaat blootgesteld is geweest aan regen of water.
 - Wanneer het apparaat niet normaal reageert op het gebruik. Bedien het apparaat als beschreven in deze handleiding, daar andere handelingen tot schade kunnen leiden die door een gekwalificeerde technicus moet worden hersteld.
 - Wanneer het product is gevallen.
 - Wanneer het gedrag plotseling geheel anders dan gebruikelijk is – dit geeft aan dat er iets mis is.
- 21 Vervangende onderdelen – Wanneer vervangende onderdelen nodig zijn overtuig u er dan van dat deze van dezelfde soort en kwaliteit zijn als de originele. Niet originele vervangingen kunnen later problemen geven en tot gevaarlijke situaties leiden.
- 22 Netzekeringen – Bevinden zich in het apparaat en laat vervanging over aan een geautoriseerde B&W dealer. De typen van de zekeringen vindt u bij de technische gegevens.
- 23 Veiligheidscontrole – Laat een technicus na reparatie of onderhoud

altijd een veiligheidscontrole uitvoeren.

- 24 Magnetisch veld – Het product heeft een magnetisch strooiveld dat binnen een straal van 0,5 meter invloed kan hebben op andere objecten (TV, monitoren, banden, cassettes, credit cards). Het TV-beeld kan ook buiten deze straal nog beïnvloed worden door het magnetisch strooiveld.

Inleiding

Dank u voor de aanschaf van deze B&W Actieve Subwoofer.

Vanaf de oprichting in 1966 heeft B&W altijd gezocht naar de perfecte geluidswaergave. Geïnspireerd door de inmiddels overleden oprichter John Bowers heeft deze zoektocht niet alleen geleid tot grote investeringen in audiotecnologie en ontwikkeling, maar ook in een voortdurende betrokkenheid bij muziek en film: alleen op die manier namelijk kan alle technologie optimaal wordt gebruikt.

Deze subwoofer is speciaal ontworpen voor Home Theater systemen en ook om het laag van bestaande stereosystemen extra te versterken. De subwoofer doet echter veel meer dan de laagweergave van uw audiosysteem uitbreiden: doordat namelijk de gewone luidsprekers in het laag nu veel minder belast worden, verbetert ook de weergave van het erg belangrijke middengebiet van uw bestaande luidsprekers.

Wij raden u aan voor in gebruik name deze handleiding in zijn geheel aandachtig door te lezen. Alle geluidssystemen vragen enig experimenteren om het optimale uit de producten te halen; deze handleiding kan u daarbij van dienst zijn.

Daar de actieve luidspreker direct is verbonden met het lichtnet is het zeer belangrijk de veiligheidsinstructies en waarschuwingen goed te lezen en nauwgezet op te volgen.

Bewaar deze handleiding op een veilige plaats als referentie voor later.

Bowers & Wilkins luidsprekers worden verkocht in meer dan 60 landen over de hele wereld. B&W heeft een internationaal netwerk van zorgvuldig geselecteerde importeurs die u optimale service zullen geven. Heeft u problemen die uw leverancier niet kan oplossen, neem dan contact op met de importeur.

Uitpakken (Afbeelding 1)

De handigste manier om de subwoofer uit te pakken is de volgende:

- Vouw de kartonnen flappen terug en keer de doos met inhoud voorzichtig om.
- Licht de doos van de inhoud.

Wij raden u aan de doos voor eventueel later gebruik te bewaren.

Behalve deze handleiding dient de doos te bevatten:

- Subwoofer
- Inschroefbare rubber pootjes
- Inschroefbare spikes met contramoer

1 Internationaal garantiebewijs

Korte omschrijving van de subwoofer (Afbeelding 2)

- Koellichaam
- Luidsprekerniveau ingangen
- Lijnniveau ingangen
- EQ (equalizer) schakelaar
- Laagdoorlaatfilter frequentie-instelling
- Fase-schakelaar
- Laagdoorlaatfilter in/uit schakelaar
- Funcieschakelaar Aan/Auto
- Aan/Standby indicatie
- Volumeregelaar
- Netsnoer
- Netschakelaar aan/uit

Functie van de subwoofer

Toepassing: Home Theater

De primaire functie van de subwoofer is het reproduceren van de signalen in het Low Frequency Effect (LFE) kanaal. Bovendien kan de processor geconfigureerd worden om het uiterste laag van sommige of alle andere kanalen aan het LFE signaal toe te voegen, door deze luidsprekers in de setup procedure op 'small' (klein) in te stellen.

Toepassing: 2-kanaals stereo

De subwoofer wordt gebruikt om het bereik in het laag uit te breiden tot beneden dat van de satelliet luidsprekers. In de meeste gevallen wordt het beste resultaat bereikt wanneer de satellieten in breedband worden gebruikt en direct door de eindversterker worden gestuurd. Het laagdoorlaatfilter van de subwoofer wordt dan zodanig ingesteld dat deze actief wordt op het punt waar de karakteristiek van de satellieten afvalt. Zijn de satellieten echter erg klein, dan kan het systeem worden begrensd door overbelasting van de laagenheden. Wanneer dat het geval is, kan beter het hoogdoorlaatfilter van de subwoofer worden gebruikt om de toevoer van laag aan de satellieten te begrenzen.

Opstellen van de subwoofer

Daar de subwoofer uitsluitend lage frequenties produceert, is de opstelling minder kritisch dan die van luidsprekers met een groter bereik. De informatie heeft veel minder richting en u bent tamelijk vrij in het kiezen van een goede positie. De beste resultaten bereikt u door de subwoofer tussen de beide linker en rechter front luidsprekers op te stellen, of in de nabijheid van één daarvan. Gebruikt u twee subwoofers, plaats die dan bij de linker en de rechter front luidsprekers.

De subwoofer achter de luisterraas opstellen, ook bij surround systemen, geeft doorgaans een minder goed beeld, maar kan een acceptabel compromis zijn wanneer de inrichting dat noodzakelijk maakt.

Zoals bij alle luidsprekers heeft de positie ten opzichte van een muur effect op de weergave. Hoe meer muurvlakken zich in de onmiddellijke nabijheid van de

luidspreker bevinden, hoe krachtiger het laag. In tegenstelling tot gewone breedband luidsprekers, kunt u bij de subwoofer altijd weer de juiste, totale klankbalans vinden door het volume van de subwoofer te corrigeren. Hoe meer de ruimte versterkt, hoe lager de subwoofer ingesteld kan worden, met één restrictie. Bij opstelling in een hoek zullen er meer resonantiefrequenties van de ruimte worden geactiveerd en zal de laagweergave onregelmatiger worden. Daar elke ruimte anders reageert, is experimenteren de enige manier om de optimale en definitieve opstelling van de subwoofer te bepalen. Hierbij is het handig om een stuk muziek te gebruiken met een duidelijk basloepje van laag naar hoog of omgekeerd: zo kan gecontroleerd worden of de laagweergave strak is door te luisteren naar noten die overdreven hard en/of zacht klinken. Met een subwoofer is het veel eenvoudiger om ruimteresponsies onder controle te krijgen, terwijl u tegelijkertijd de hoofd-luidsprekers op hun optimale positie voor het totale geluidsbeeld kunt opstellen.

Wilt u de subwoofer in een kleine ruimte inbouwen, bijvoorbeeld in een speciaal meubel, zorg dan voor voldoende ventilatie en koeling van de ingebouwde eindversterker. Vraag uw leverancier om advies.

De subwoofer wordt geleverd met vier "spikes". Deze prikken door het tapijt en rusten op de vloer eronder, waardoor de luidspreker steviger staat.

Heeft u geen tapijt, maar wilt u krassen op de vloer voorkomen? Gebruik dan een beschermplaatje tussen vloer en spikes of – in plaats van de spikes – de rubber voetjes.

Schroef eerst de contramoeren helemaal tot aan het einde van de draad op de spikes of de voetjes. Schroef de voetjes of spikes dan volledig in de luidsprekeronderkant. Staat de behuizing nu niet stabiel: draai dan de twee voetjes of spikes die de vloer niet raken naar buiten totdat de behuizing wel stevig staat. Fixeer daarna alle voetjes of spikes door de contramoeren tegen de behuizing vast te draaien.

Elektrische verbindingen

Overtuig u er eerst van dat alle apparaten van het systeem niet meer met het lichtnet zijn verbonden. Hierdoor bent u er zeker van dat er tijdens het losnemen en vastzetten van kabels geen schade kan ontstaan.

De subwoofer heeft zowel lijningangen en -uitgangen via cinch aansluitingen, als luidsprekerniveau ingangen via de klemmen op het paneel op de achterzijde.

Onderstaand overzicht geeft de juiste aansluitmethode voor uw installatie:

Toepassing: Home Theater

Processor met gescheiden eindversterkers die één of meer subwoofers voedt – afbeelding 3

Processor met geïntegreerde eindversterkers voor één of meer subwoofers: – met lijnlevel subwooferuitgang –

afbeelding 4
– met luidsprekerniveau subwooferuitgang
– afbeelding 5

Toepassing: 2-kanaals audio

Gescheiden voor- en eindversterkers:
– Breedbandsignaal naar de satelliet luidsprekers en:

- één subwoofer – afbeelding 6
- twee subwoofers – afbeelding 7
- Hoogdoorlaat signaal naar satelliet luidsprekers en:
 - één subwoofer – afbeelding 8
 - twee subwoofers – afbeelding 9

Geïntegreerde versterker:

- Breedbandsignaal naar de satelliet luidsprekers en:
 - één subwoofer – afbeelding 10
 - twee subwoofers – afbeelding 11
- Hoogdoorlaat signaal naar satelliet luidsprekers en:
 - één subwoofer – afbeelding 12
 - twee subwoofers – afbeelding 13

Meer dan één subwoofer gebruiken

Meer dan een sub in een systeem kan de weergave op de volgende manieren verbeteren:

- De stereoscheiding blijft optimaal tot de laagste frequenties.
- Geschikt voor grotere luisterruimten.
- Hogere geluidsniveaus zijn mogelijk – vaak zinvol om op de juiste wijze de speciale Home Cinema effecten weer te geven.
- Resonanties op lage frequenties worden minder hoorbaar.

Gebruik van twee subwoofers bij stereo zal de kanaalscheiding verbeteren, wanneer deze dichtbij de bijbehorende satellietluidspreker wordt opgesteld. Kan de subwoofer niet in de directe nabijheid van de satellieten worden geplaatst, gebruik dan de mono-uitgang (afbeelding 8).

Controleer alle aansluitingen nogmaals

CONTROLEER EERST DE NETSPANNING DIE STAAT AANGEGEVEN OP HET VERSTERKERPANEEL OVEREENKOMT MET DIE TER PLAATSE.

Voordat het systeem wordt ingeschakeld en afgeregeld, eerst alle aansluitingen nogmaals controleren. Het gebeurt namelijk maar al te vaak dat geen behoorlijke weergave wordt verkregen ongeacht de gemaakte instelling, waarna wordt ontdekt dat er iets verkeerd was aangesloten. Controleer daarom of:

- De signaalpolariteit klopt: voor de luidsprekeraansluitingen van de satellieten geldt dat de "+" met de "+" wordt verbonden en de "-" met de "-". Vervisseling geeft een "vage" weergave met een onduidelijk stereobeeld, weinig laag of zelfs beide.
- De linker en rechter kanalen in het gehele systeem op dezelfde manier zijn aangesloten. Let op het juiste klankbeeld van een orkest en of bij Home Cinema het geluidsbeeld in dezelfde richting beweegt als het

beeld.

In- en uitschakelen

We adviseren om eerst de subwoofer in te schakelen en daarna pas de andere versterkers die signalen van de subwoofer krijgen. Het omgekeerde geldt bij uitschakelen: schakel dan de subwoofer als laatste uit.

De functieschakelaar On/Auto (8) en de indicatie werken als volgt:

On (aan):

In deze stand is de versterker altijd actief en licht de indicatie groen op.

Auto (automatisch):

Nadat u de subwoofer voor het eerst in de stand "Auto" heeft gezet, schakelt de versterker in en licht boven de schakelaar een groene indicatie (9) op. Wordt gedurende 5 minuten geen ingangssignaal gedetecteerd, dan zal de versterker automatisch in "standby" gaan en wordt de indicatie rood. Zodra een ingangssignaal wordt gesignaleerd, schakelt de versterker weer in en wordt de indicatie groen.

Bedieningsorganen

De subwoofer beschikt over 5 knoppen:

- Volumeregelaar (10)
- Frequentie-instelling voor laagdoorlaat filter (5 – LOW-PASS FILTER)
- Schakelaar voor laagdoorlaat filter (7)
- Faseschakelaar (6 – PHASE)
- Schakelaar EQ equalizer (4)

De optimale instelling van elke regeling wordt bepaald door de andere apparatuur die met de subwoofer wordt gebruikt. Wordt er meer dan één subwoofer gebruikt, zet dan de overeenkomende instellingen in dezelfde positie.

Home Cinema

De B&W ASW Actieve Subwoofer is niet THX® gecertificeerd, maar kan desgevinst met een THX® controller worden gebruikt.

- Zet de VOLUME regelaar aanvankelijk op 'negen uur'.
- Zet de LOW-PASS FILTER schakelaar op OUT (uit).
- Zet de EQ schakelaar aanvankelijk op A.
- Zet de PHASE schakelaar aanvankelijk op 0°.
- De positie van de LOW-PASS FILTER frequentie-instelling is niet belangrijk.

Lees ook de paragraaf 'Fijninstelling'.

Gebruikt u een THX® decoder, schakel dan de subwoofer functie in. Op deze manier zijn de instellingen voor filter en volume optimaal om de subwoofer in alle toepassingen te gebruiken. Voor het inregelen van de geluidsniveau gebruikt u het interne testsignaal en de kanaalinstellingen van de THX® decoder. In alle gevallen deze testruis op de luisterpositie op een geluidsdruk van 75 dB SPL (C-gewogen) instellen.

Gebruikt u een andere processor, kies dan

voor de front en de surround luidsprekers eerst de juiste grootte ('large' of 'small'), voordat u de niveaus instelt. Gebruik het testsignaal en de volumeregeling van de decoder om alle luidsprekers in te stellen. Gebruik de VOLUME regeling van de subwoofer uitsluitend wanneer u via de decoder geen goede instelling kunt bereiken.

Bij elektronica-winkels zijn betaalbare geluidsdruckmeters te koop waarmee eenvoudig het juiste niveau kan worden ingesteld. Raadpleeg zonnodig de handleiding van de decoder voor het instellen van het juiste niveau.

2-Kanaals audio

- Zet de VOLUME regelaar aanvankelijk op 'negen uur'.
- Zet de LOW-PASS FILTER schakelaar op IN (aan).
- Zet de EQ schakelaar aanvankelijk op A.
- Zet de PHASE schakelaar op 180°.

Worden de satellieten in breedband (volledig bereik) gebruikt (afbeelding 6, 7, 10, 11):

- Zet de LOW-PASS FILTER frequentie op -6 dB afsnijfrequentie voor de satelliet luidsprekers.

Zowel de -3 dB als de -6 dB grafieken vindt u bij de specificaties van elk B&W type luidspreker. Wanneer de fabrikant van een satelliet luidspreker alleen een -3 dB cijfer opgeeft en niet voor -6 dB, dan ligt de optimale instelling tussen 0,6 en 0,9 maal de -3 dB frequentie, afhankelijk van de afval. Hoe geleidelijker de afval van de satellieten is, hoe lager u de frequentie dient te kiezen.

Worden de satellieten in hoogdoorlaat (afbeelding 8, 9, 12, 13) gebruikt:

- Zet de LOW-PASS FILTER frequentie op 80 Hz.

Lees ook de paragraaf 'Fijninstelling'.

Fijninstelling

Home Cinema

Bij Home Cinema is het subwoofersignaal (LFE) een apart kanaal in plaats van een aanvulling op het satelliet-signaal. Het LOW-PASS filter is uitgeschakeld (OUT), omdat de decoder hier de juiste filters levert, die nodig zijn bij een instelling op kleine (small) luidsprekers. De positie van de faseschakelaar kan echter wél belangrijk zijn; normaliter is deze 0°, maar wanneer de subwoofer op een behoorlijke afstand van de andere luidsprekers staat, of de versterker van de andere luidsprekers de polariteit verandert, dan kan 180° een beter resultaat geven. Luister daarom naar beide posities van de schakelaar en kies de positie die het "volste" laag geeft. Is geen verschil hoorbaar, laat de schakelaar dan in de positie 0° staan.

Surround processoren hebben gewoonlijk een eigen gekalibreerd testsignaal dat u kunt gebruiken om de onderlinge niveaus van de luidsprekers in te stellen. Dit maakt het inregelen eenvoudiger dan bij een

stereosysteem. Aarzel echter niet de instellingen zonnodig naar eigen inzicht aan te passen. Het is bovendien erg verleidelijk dankzij de kwaliteiten van de subwoofer iets meer nadruk op het laag te leggen dan realistisch is, vooral bij sommige laagfrequent effecten! Op de lange duur geeft het een realistisch en bevredigender resultaat wanneer de subwoofer iets zachter staat dan het standaard kalibratieniveau aangeeft.

Stereo

De optimale instellingen van de PHASE schakelaar en de LOW-PASS FILTER FREQUENTIE beïnvloeden elkaar en zijn afhankelijk van de laagweergave van de satellietluidsprekers en de onderlinge plaatsing van alle luidsprekers in de ruimte. De hiervoor genoemde instellingen voor de frequentie van het LOW-PASS FILTER en PHASE zijn zo gekozen dat deze goed passen bij de meeste laaginstellingen, zowel voor gesloten als open (reflex) systemen, wanneer de -6 dB punten binnen het regelbereik van de subwoofer blijven.

Wanneer de satelliet luidsprekers worden gestuurd via het hoogdoorlaattfilter van de subwoofer, dient de frequentie lager ingesteld te worden dan de aanvankelijke waarde van 80 Hz, indien het -3 dB punt van de satelliet luidsprekers beneden 80 Hz ligt, en hoger indien dat erboven ligt.

Stel het systeem conform uw wensen op en draai muziek, weer met een redelijk constante hoeveelheid laag.

Uitgaande van de aanvankelijk gemaakte instelling controleer u eerst de positie van de PHASE (fase) schakelaar. Kies de positie die de volste klank geeft. Meestal zal de aangegeven positie de juiste zijn, maar soms bij gebruik van de lijnzingen wordt ergens de fase omgedraaid, of de subwoofer staan niet in de nabijheid van de satelliet luidsprekers en dan dient de fase gecorrigeerd te worden.

Stel vervolgens de loudness van de subwoofer af in relatie tot de satelliet luidsprekers en uw smaak. Gebruik een verscheidenheid aan programmamateriaal om tot een gemiddelde instelling te komen. Wat bij de ene opname indrukwekkend klinkt, kan bij een andere overdreven zijn. Luister vooral ook op een realistisch niveau, daar de klankbalans ook door het niveau wordt bepaald.

Tenslotte stelt u de LOW-PASS FILTER frequentie op een zo rustig mogelijke overgang van de satellieten naar de subwoofer in. Dit is meestal de moeilijkste instelling.

Alle toepassingen

De EQ schakelaar wijzigt de afval van de subwoofer. De bas die u hoort is een combinatie van de subwoofer en de effecten in de kamer en u kiest de stand die het beste past bij de kamer en de positie van de subwoofer. Positie A geeft een droge instelling, voor gevallen waarbij de subwoofer in een hoek staat, of om een boemiger akoestiek te compenseren. Stand B is meer geschikt voor een droge akoestiek bij opstelling uit de hoek.

Wanneer u een ongelijkmatige laagweergave heeft – sommige frequenties zijn duidelijker dan andere – treden er waarschijnlijk staande golven in de luister ruimte op en heeft het zin te experimenteren met de opstelling van de subwoofer. Hoewel het weinig lijkt in een opstelling, kunnen zelfs kleine verschuivingen van zo'n 15 cm al grote invloed op het geluid hebben. Heeft u een aantal verschillende posities geprobeerd en blijft het probleem bestaan, probeer dan de subwoofer iets hoger op te stellen, of deze zijwaarts te verschuiven. Door meer dan één subwoofer te gebruiken, kunt u het effect van de resonanties sterk beperken, daar elke subwoofer resonanties op verschillende frequenties activeert. Wijzigt u de afstand van de subwoofer en de satellietluidsprekers onderling en plaatst u ze verderaf of dichterbij, dan bestaat de mogelijkheid dat de faseschakelaar opnieuw ingesteld moet worden. Controleer dan ook weer het volume van de subwoofer (via de decoderuitgangen of met de volume regelaar op de subwoofer zelf), maar pas nadat de fase goed is ingesteld.

Bij gebruik van meer dan één subwoofer controleren of beide LOW-PASS FILTER frequentie en PHASE schakelaars in dezelfde positie staan.

Onderhoud

De behuizing hoeft normaliter alleen te worden afgestoft met een droge doek. Gebruikt u een schoonmaakmiddel in spuitbus, spuit dit middel dan eerst op een doek, op enige afstand van de luidspreker en de eenheid en van de grille in het bijzonder. Verwijder de grill zodat er geen vlekken op komen, maar raak de woofer niet aan. De grill zelf kan met een zachte doek worden schoongemaakt.

Gebruik de subwoofer niet als tafel; voorwerpen die er op staan kunnen tijdens het gebruik gaan rammelen. Voorkom ook dat er vloeistof in de subwoofer terecht komt (drinkglazen of vazen!).

Wordt het systeem voor langere tijd niet gebruikt, neem dan de stekker uit het stopcontact.

Polski

Gwarancja

Drogi kliencie, witamy w B&W

Ten produkt został zaprojektowany i wyprodukowany zgodnie z najwyższymi standardami jakości. Jednak, jeśli zdarzy się jakaś awaria, firma B&W Loudspeakers oraz jej międzynarodowi dystrybutorzy gwarantują bezpłatny serwis (wyjątki mogą wystąpić) na części i robociznę w każdym kraju, w którym jest autoryzowany dystrybutor B&W.

Warunki gwarancji

- 1 Gwarancja odnosi się tylko do naprawy sprzętu. Ani transport, ani żadne inne koszty, włącznie z ryzykiem przeniesienia, transportu i instalacji produktów nie są objęte tą gwarancją.
- 2 Gwarancja jest ważna tylko dla pierwszego właściciela. Nie przechodzi na następnych właścicieli.
- 3 Gwarancja obejmuje tylko i wyłącznie wady materiałowe lub inne wady ukryte w dniu zakupu. Gwarancja nie ma zastosowania w odniesieniu do:
 - a uszkodzeń spowodowanych niewłaściwą instalacją, podłączeniem lub zapakowaniem produktu,
 - b uszkodzeń spowodowanych niewłaściwą eksploatacją, niezgodną z instrukcją obsługi, modyfikacjami produktu lub wykorzystaniem części, które nie pochodzą od lub nie mają autoryzacji B&W,
 - c uszkodzeń spowodowanych przez popęski lub niewłaściwe urządzenia towarzyszące,
 - d uszkodzeń spowodowanych przez wypadki losowe, udary pioruna, wodę, pożar, czy inne czynniki, występujące poza kontrolą firmy B&W i jej autoryzowanych dystrybutorów,
 - e produktów, których numer seryjny został zamazany, usunięty lub przerobiony,
 - f oraz w przypadku gdy wykonano już naprawy lub modyfikacje przez firmę lub osoby nieautoryzowane.
- 4 Ta gwarancja jest dopełnieniem prawnych podstaw udzielania gwarancji, obowiązujących na terenie danego kraju i nie narusza statutowych praw klienta.

Jak reklamować sprzęt na gwarancji

Jeśli zaistnieje potrzeba oddania produktu do serwisu, prosimy zastosować się do następującej procedury:

- 1 Jeśli sprzęt jest używany w kraju zakupu, powinniście skontaktować się z autoryzowanym dealermem, u którego sprzęt został zakupiony.
- 2 Jeśli sprzęt jest używany poza granicami kraju, powinniście się skontaktować z dystrybutorem B&W właściwym dla miejsca zamieszkania

w celu uzyskania informacji, gdzie sprzęt może być serwisowany. Możesz zadzwonić do B&W w Wielkiej Brytanii lub odwiedzić naszą witrynę internetową aby uzyskać kontakt do lokalnego dystrybutora.

Aby nadać gwarancji ważność, musisz wystąpić ją wypełnioną i podstemplowaną przez swojego dealera. Dodatkowo, konieczny jest dowód zakupu stwierdzający jego datę.

Instrukcja użytkownika

WAŻNE UWAGI BEZPIECZEŃSTWA



UWAGA
RYZKO PORAZENIA
PRADEM NIE OTWIERAJĆ



Uwagi:

Aby zminimalizować ryzyko porażenia prądem, nie zdejmuj tylnego panelu. Wewnątrz nie ma żadnych części które podlegałyby regulacji lub wymianie przez użytkownika. Wszelkie prace związane z naprawami kieruj w ręce serwisu B&W.

Znaczenie symboli graficznych:



Błyskawica na trójkątne równoboczne oznacza obecność wewnątrz obudowy, nie zaizolowanego źródła napięcia. Napięcie to może być niebezpieczne dla zdrowia lub życia ludzkiego.



Wykrzyknik na tle trójkąta równobocznego wskazuje na obecność ważnych uwag użytkowych w instrukcji dołączonej do subwoofera.

WAŻNE UWAGI:

- 1 Przeczytaj instrukcję – Wszystkie uwagi odnośnie bezpieczeństwa powinny zostać przeczytane przed przystąpieniem do obsługi urządzenia.
- 2 Zachowaj instrukcję – Powinna ona znajdować się w łatwo dostępnym miejscu, abyś w razie potrzeby mógł do niej sięgnąć.
- 3 Ostrzeżenia – Wszystkie ostrzeżenia na urządzeniu i instrukcji użytkownika powinny być ściśle przestrzegane.
- 4 Instrukcje – Obsługa urządzenia powinna być przeprowadzana zgodnie z czynnościami opisanymi w instrukcji obsługi.
- 5 Źródła zasilania – To urządzenie powinno być zasilane ze źródła o napięciu takim, jak wskazano na tylnym panelu. Jeśli nie jesteś pewien jakie napięcie jest w domowej sieci

elektrycznej, skonsultuj się z dealermem lub elektrownią.

- 6 Uziemienie – Urządzenie nie wymaga uziemienia. Upewnij się, że wtyczka jest właściwie włożona do gniazdka, aby zapobiec iskrzeniu lub zwarceniu.
- 7 Ochrona prądu zasilającego – Przewód zasilający powinien być tak usytuowany, aby nikt po nim nie chodził i nie stały na nim żadne inne urządzenia lub meble. Przewód należy wyjmować z gniazda zasilającego, trzymając go pewnie za wtyczkę. Nigdy nie wyjmuj wtyczki z gniazda zasilającego, ciągnąc ją za przewód.
- 8 Przeciążenie – Nie przeciążaj gniazda zasilającego zbyt dużą liczbą przewodów lub zintegrowanym dużym obciążeniem. Może to spowodować pożar lub porażenie prądem.
- 9 Wentylacja – Wzmocniacz na tylnym panelu urządzenia jest chłodzony, dlatego nie powinien znajdować się zbyt blisko takich elementów jak łóżko, sofa, dywan lub innych o podobnej powierzchni. W przeciwnym razie nie będzie miało ono możliwości chłodzenia się. Jeśli nie ma odpowiedniej wentylacji, urządzenie nie powinno znajdować się także zbyt blisko urządzeń z wbudowaną instalacją np. stojak biblioteczka itp.
- 10 Temperatura – Urządzenie powinno być usytuowane z dala od wszelkich elementów wytwarzających ciepło takich jak radiatory, kaloryfery itp.
- 11 Montaż do ściany lub sufitu – Urządzenie może być zamocowane do ściany lub sufitu tylko wtedy gdy jest to rekomendowane przez producenta.
- 12 Woda i wilgoć – Nie korzystaj z tego urządzenia blisko wody tzn. w łazience, w kuchni, blisko basenu itp.
- 13 Elementy obce i zalanie cieczą – Nigdy nie wkładaj do urządzenia żadnych obcych elementów i nie stawiaj na nim nic z czego może wyostać się jakaś ciecz. Obsa te przypadki grożą pożarem lub porażeniem prądem. Nie stawiaj na urządzeniu elementów, z których może wyciec jakaś ciecz.
- 14 Czyszczenie – Przed czyszczeniem wyjmij przewód zasilający z gniazda. Instrukcja czyszczenia opisana jest w rozdziale zatytułowanym "Pielęgnacja".
- 15 Inne produkty – Nie podłączaj urządzeń, które nie są zalecane przez producenta. Może to spowodować niebezpieczeństwo podczas użytkowania.
- 16 Akcesoria – Nie ustawiaj urządzenia na niestabilnych podstawkach. W przeciwnym wypadku urządzenie może spaść i spowodować obrażenia domowników oraz ulec zniszczeniu. Korzystaj z podstawek tylko rekomendowanych przez producenta.

- 17 Zmiana położenia urządzenia – Urządzenie powinno być przemieszczone ze szczególną ostrożnością. Podczas przemieszczania urządzenia, zwróć uwagę, czy pod dywanem nie są umieszczona przewody. Mogą one zostać uszkodzone przez kolce urządzenia. Uważaj abyś się nimi nie zranił.
- 18 Okresowe korzystanie z urządzenia – Jeśli planujesz nie korzystać z urządzenia przez dłuższy okres, wyjmij przewód sieciowy z gniazdka.
- 19 Serwis – Nie próbuj otwierać i naprawiać urządzenia samodzielnie. Może to spowodować porażenie prądem. W przypadku awarii, zgłoś się do autoryzowanego serwisu.
- 20 Uszkodzenie urządzenia – Rozłącz urządzenie z sieci i dostarcz je do autoryzowanego serwisu w następujących przypadkach:
- Gdy uszkodzony został przewód zasilający.
 - Jeśli do urządzenia dostała się wilgoć.
 - Jeśli urządzenie zostało wystawione na deszcz lub oblane wodą (lub inną cieczą).
 - Jeśli urządzenie nie działa prawidłowo, wyreguluj je tylko dostępnymi na obudowie sterownikami. Regulacja wewnątrz urządzenia, grozi porażeniem prądem. Jeśli regulacja nie przyniosła oczekiwanego skutku, dostarcz urządzenie do autoryzowanego serwisu.
 - Jeśli urządzenie było zmoczone lub uszkodzone w jakikolwiek inny sposób.
 - Jeśli urządzenie charakteryzuje odstępstwami od normalnej pracy. – wskazuje to na konieczność dostarczenia go do autoryzowanego serwisu.
- 21 Wymiana komponentów – Jeśli wymieniasz komponenty podłączone do tego urządzenia, upewnij się, że ich dane techniczne są zgodne z wymaganiami tego urządzenia. Urządzenie nie spełniające określonych norm, mogą spowodować pożar, porażenie prądem i inne niebezpieczeństwa.
- 22 Główne bezpieczniki umieszczone są wewnątrz wzmacniacza, a ich wymiana powinna być wykonana przez autoryzowany serwis B&W. Typy bezpieczników opisane są w danych technicznych.
- 23 Przed oddaniem do naprawy – Zanim oddasz urządzenie do serwisu, upewnij się czy użytkujesz je w prawidłowy sposób. Możesz to uczynić w autoryzowanym serwisie.
- 24 Pola magnetyczne – Urządzenie to wytwarza zakłócenia statycznego pola magnetycznego. Nie kładź na tym urządzeniu innych komponentów, mogą one zostać uszkodzone przez

to pole magnetyczne (np. TV, monitor komputera, audio itp.) Powinny one znajdować się nie mniej niż 0,5 m od tego urządzenia.

Wprowadzenie

Dziękujemy za zakup aktywnego subwoofera B&W.

Od założenia firmy 1966 roku kontynuujemy filozofię B&W, zakładającą dążenie do perfekcyjnego odtwarzania dźwięku. Właściciel firmy, John Bowers, inspirowany był nie tylko inwestowaniem w technologię i innowacje audio, ale także stałe zrozumienie muzyki i żądań dźwięku filmowego, tak aby maksymalnie wykorzystywać technologię.

Subwoofer ten został zaprojektowany do zestawu kina domowego i zwiększenia basu przy 2-kanalowym stereo. Dodanie subwoofera nie tylko zwiększa bas do niższych częstotliwości, stwarza on także czystość średniej częstotliwości. Jest spowodowane odciążeniem od niskich częstotliwości dotychczasowych głośników.

Przed użyciem urządzenia prosimy o uważne przeczytanie instrukcji. Wszystkie podłączenia opisane są w instrukcji obsługi. Informacje zawarte w instrukcji pomogą w pełni wykorzystać wszystkie walory urządzenia i użytkować je w bezpieczny sposób.

Podłączając urządzenie do sieci, zachowaj wszelkie środki bezpieczeństwa. Szczególną uwagę zwróć na oznaczone ostrzeżenia.

Trzymaj instrukcję w bezpiecznym miejscu, tak abyś mógł z niej w przyszłości skorzystać.

Głośniki B&W dystrybuowane są do ponad 60 krajów na całym świecie, a reprezentowane są siecią uważnie wybranych dystrybutorów. Jeśli masz problemy z oferowanym przez nas sprzętem, pomoc zawsze uzyskasz u przedstawiciela w danym kraju.

Rozpakowanie (rysunek 1)

Najprostszy i bezpieczny sposób rozpakowania urządzenia opisany jest poniżej:

- Otwórz klapę kartonu, odwróć go wraz z zawartością.
- Podnieś karton. Urządzenie powinno zostać na dole.

Zalecamy, abyś zachował opakowanie na przyszłość.

Karton poza tą instrukcją powinien jeszcze zawierać:

- 1 subwoofer
- 4 wkręcane gumowe stopki
- 4 wkręcane kolce
- 1 gwarancję

Subwoofer po odwróceniu

(rysunek 2)

- 1 Radiator
- 2 Podłączenia głośnika
- 3 Gniazda poziomu liniowego
- 4 Przelącznik częstotliwości EQ
- 5 Sterownik częstotliwości LOW-PASS FILTER
- 6 Przelącznik PHASE
- 7 Przelącznik LOW-PASS FILTER
- 8 Przelącznik MODE On/Auto
- 9 Podświetlany wskaźnik On/Standby
- 10 Sterownik głośności VOLUME
- 11 Przewód zasilający
- 12 Włącznik zasilania POWER on/off

Możliwości subwoofera

Zastosowanie: Kino Domowe

Głównym zadaniem subwoofera jest otwieranie sygnałów niskich częstotliwości (LFE). Procesor A/V można ponadto tak skonfigurować, aby sygnały o małych częstotliwościach normalnie podawane do głośników, były odfiltrowane z wyjść na inne głośniki i skierowane do subwoofera. Procedura ta polega na zadeklarowaniu wartości "small" (małe) dla wybranych głośników w menu (setup) procesora.

Zastosowanie: 2-kanalowe audio

Subwoofer używany jest do uwydatnienia basu gdy używane są głośniki o konstrukcji satelity. W większości przypadków, najlepsze rezultaty są uzyskiwane, jeśli otrzymują one pełny zakres mocy prosto od wzmacniacza. Filtr dolno-przepustowy (low-pass) przepuszcza niskie częstotliwości poniżej zakresu nie obsługiwanego już przez satelity. Mimo tego, jeśli satelity są bardzo małe, mogą być one przeciążane nadmiarem basu. W takim przypadku lepszy efekt może przynieść użycie filtru górno-przepustowego (high-pass), który odfiltruje niski bas z sygnału wyjściowego do satelity.

Ustawienie subwoofera

Ponieważ subwoofer wytwarza tylko niskie częstotliwości, jego ustawienie nie należy do tak krytycznych jak w przypadku głośników pełno-zakresowych. Kierunkowość jest tu dużo mniejsza niż normalnych głośników pełnopasmowych, masz zatem więcej możliwości ustawienia subwoofera. Mimo tego najlepszy rezultat jest uzyskiwany zazwyczaj gdy subwoofer umiejscowiony jest pomiędzy prawym i lewym głośnikiem lub w pobliżu jednego z nich. Jeśli korzystasz z dwóch subwooferów, najlepiej jest ustawić jeden subwoofer przy głośniku prawym a drugi przy głośniku lewym.

Ustawienie subwoofera z tyłu pozycji odsłuchowej, nawet gdy zainstalowany jest system surround, zazwyczaj powoduje, że otrzymywany dźwięk jest

mało spójny, zamknięty. Konfiguracja taka jest jednak akceptowalna.

Tak jak w przypadku wszystkich głośników, na brzmienie subwoofera istotnie wpływa bliskość ścian i rogów pokoju. Im subwoofer stoi bliżej ścian, tym większe podbicie basu uzyskujemy i tym mniej wysilony jest głośnik. Nadwyżkę basu możemy łatwo skompensować gałką regulacji czułości subwoofera, ale jego zbliżanie do ściany nie można przeprowadzać bezkarnie. Duże podbicie basu przez pokój oznacza, że dźwięk będzie bardziej podbarwiony, mniej precyzyjny. Pasma przenoszenia staje się bardzo nierównomierne z uwagi na silne rezonanse pomieszczenia. Pamiętaj, że nic nie zastąpi eksperymentów odsłuchowych. Fragmenty muzyczne zawierające zwiększającą lub zmniejszającą skalę częstotliwości basowych, będą przydatne dla właściwej oceny równomierności pasma niskotonowego.

Jeśli subwoofer używany jest w ograniczonej przestrzeni, pomieszczeniu to powinno być wentylowane, tak aby urządzenie nie uległo przegrzaniu.

Subwoofer dostarczony jest z czterema kołcami stabilizującymi. Kołce te przekuwają miękkie wykładziny lub dywany, stabilizując subwoofer, nie niszcząc przy tym dywanu.

Jeśli urządzenie umiejscowione jest na powierzchni podatnej na zniszczenie, jak drewniana podłoga, zabezpiecz ją za pomocą gumowych nóżek lub ochronnymi płytkami.

Po ustawieniu subwoofera, najpierw pokręć wszystkie kołce do samego końca, a następnie za pomocą delikatnego wykręcania (ew. wkrecania) tak je wyreguluj, aby urządzenie było całkowicie stabilne.

Połączenia elektryczne

Odłącz zasilanie całego zestawu dopóki nie wykonasz i nie sprawdzisz wszystkich połączeń. W przeciwnym razie może zostać uszkodzony cały sprzęt lub połączenia.

Subwoofer będzie posiadał wejście i wyjście obu linii – poziom sygnału na gniazdach RCA Phono i poziom sygnału głośnika na zakręconych gniazdach na tylnym panelu.

Za pomocą poniższego opisu, wybierz odpowiednią metodę połączenia zestawu.

Zastosowanie: Kino Domowe

Procesor z oddzielnym wzmacniaczem mocy zasilającym jeden lub więcej subwooferów. – rys. 3.

Procesor z zintegrowanym wzmacniaczem mocy zasilającym jeden lub więcej subwooferów:
– z liniowym wyjściem poziomu subwoofera – rys. 4
– z wyjściem poziomu głośników – rys. 5

Zastosowanie: 2-kanalowe audio

Odseparowany przedwzmacniacz i wzmacniacz mocy:
– Pełny zakres sygnału do głośników satelitarnych i:
– Jednego subwoofera – rys. 6
– Dwoch subwooferów – rys. 7
– Górno-przepustowy sygnał do satelitów i:
– Jeden subwoofer – rys. 8
– Dwa subwoofery – rys. 9

Wzmacniacz zintegrowany:
– Pełen zakres sygnału do satelitów i:
– Jeden subwoofer – rys. 10
– Dwa subwoofery – rys. 11
– Sygnał górno-przepustowy do satelitów i:
– Jednego subwoofera – rys. 12
– Dwoch subwooferów – rys. 13

Użycie więcej niż jednego subwoofera

Użycie więcej niż jednego subwoofera w jednym zestawie udoskonala jego możliwości w następujący sposób:

- Utrzymuje separację stereo do niższych częstotliwości.
- Lepiej wypełnia dźwiękiem większe pokoje odsłuchowe.
- Umożliwia lepsze wykorzystanie efektów przy odtwarzaniu dźwięku 5.1 (6.1, 7.1).
- Wygładza rezonanse pokoju przy efektach niskich częstotliwości.

Jeśli używasz dwa subwoofery dla dwóch kanałów audio, separacja stereo jest udoskonalona. Trafnym jest ustawienie subwooferów blisko satelitów. Jeśli nie możesz umieścić subwoofera blisko satelitów, zastosuj podłączenie monofoniczne tak jak pokazano to na rys. 8.

Sprawdź dwa razy podłączenie

UPEWNIJ SIĘ, ŻE ZASILANIE OPISANE NA OBUDOWIE, JEST ZGODNE Z ZASILANIEM W SIECI.

Przed próbą odsłuchu jakości dźwięku twojego nowego systemu oraz ostatecznymi regulacjami, ponownie sprawdź wszystkie podłączenia. Czasami zdarza się, że użytkownicy skarżą się, że system nie działa prawidłowo. Najczęściej okazuje się, że jest to spowodowane nieprawidłowym podłączeniem. Upewnij się, że:

- Podłączenie faz jest prawidłowe – plusa powinien być podłączony do plusa a minus do minusa. Zamiana fazy powoduje osłabiony bas i niewyraźny obraz dźwięku.
- Głośnik prawy nie jest zamieniony z lewym – Może to spowodować np., że podczas odsłuchu muzyki dźwięk poszczególnych instrumentów dociera z innych stron, a podczas oglądania efekty dźwiękowe nie są zgodne z obrazem na monitorze.

Włączanie i wyłączenie (on/off)

Zalecamy, włączać subwoofer przed wyborem sygnału przez wzmacniacz. Podobnie należy postąpić przy wyłączaniu subwoofera.

Tryb przełączania MODE On/Off (8) I świecący się wskaźnik (9) działa jak opisano poniżej:

On:

Przy takim ustawieniu przełącznika, wzmacniacz jest cały czas aktywny a kontrolka świeci się na zielono.

Auto:

Przy pierwszym przełączeniu subwoofera do trybu AUTO, wzmacniacz załączy się do trybu aktywnego i zaświeci się kontrolka na zielono. Po 5 minutowej przerwie dostarczenia sygnału wejściowego, wzmacniacz automatycznie przełączy się do trybu czuwania (standby), a kontrolka zaświeci się na czerwono. Jeśli zostanie wykryty sygnał, wzmacniacz automatycznie przełączy się do trybu aktywnego, a kontrolka zaświeci się na zielono.

Ustawienia sterowników

Znajduje się tam 5 sterowników, które można wziąć pod uwagę:

- Sterownik VOLUME (10)
- Sterownik częstotliwości LOW-PASS FILTER (5)
- Przełącznik LOW-PASS FILTER (7)
- Przełącznik PHASE (6)
- Przełącznik EQ (wyrównanie) (4)

Optymalne ustawienia zależą od innych ustawionych urządzeń z subwooferem.

Jeśli korzystasz z drugiego subwoofera, upewnij się, że jego ustawienia są takie same.

Kino domowe

Subwoofer ten nie jest licencjonowany przez THX®, ale jeśli jest to konieczne, może być z nim używany.

- Początkowo ustaw sterownik VOLUME na godzinę 9.
- Ustaw przełącznik LOW-PASS FILTER na OUT.
- Początkowo przełącznik EQ ustaw w pozycji A.
- Sterownik PHASE początkowo ustaw na 0°.
- Ustawianie częstotliwości LOW-PASS FILTER jest niepotrzebne.

Zwróć także uwagę na rozdział "Końcowe ustawienia".

Jeśli posiadasz kontroler THX®, upewnij się, że funkcja subwoofera daje możliwość korzystania z niego. Ustaw wszystkie filtry I poziomy ustawień. Aby skalibrować poziom wewnętrzny test szumów i sterownik poziomu kanału, powinieneś skorzystać z kontrolera THX®. We wszystkich przypadkach, poziomy powinny być ustawione, aby uzyskać 75dB SPL w pozycji odsłuchowej z wewnętrznego testu tonów kontrolera.

Z innymi procesorami, skonfiguruj głośniki frontowe i satelity jako "duże" i "małe" w zależności od posiadanych głośników. Użyj wewnętrznego testu tonów oraz sterowniki głośności procesora, aby ustawić poziomy dla wszystkich głośników. Poziom głośności (VOLUME) w subwooferze zmień tylko wtedy, gdy ustawienia procesora nie osiągnęły oczekiwanego efektu.

W stosunkowo niedrogi sposób, za pomocą odpowiednich ustawień można uzyskać naprawdę bardzo dobry dźwięk. Więcej szczegółów możesz uzyskać w instrukcji obsługi twojego procesora.

2-kanalowe audio

- Początkowo ustaw sterownik VOLUME na godzinę 9.
- Ustaw przełącznik LOW-PASS FILTER na IN.
- Przełącznik EQ początkowo ustaw na pozycję A.
- Przełącznik PHASE początkowo ustaw na 180°.

Jeśli korzystasz z satelitów działających w trybie pełno zakresowym (rys. 6, 7, 10, 11).

- Ustaw częstotliwość LOW-PASS FILTER na częstotliwość odpowiadającą dolnej częstotliwości pasma przenoszenia satelitów, określonej spadkiem -6dB.

Określenie dolnej granicy pasma przenoszenia przy spadkach -3dB i -6dB znajduje się w specyfikacji każdej kolumny głośnikowej B&W. Jeśli jednak producent satelitów nie podaje przenoszenia basu ze spadkiem -6 dB, tylko ze spadkiem -3 dB, optymalne ustawienie regulatora LOW-PASS FILTER powinno zawierać się (wyjściowo) pomiędzy 0.6 a 0.9 deklarowanej wartości dolnej granicy przenoszenia określonej przy spadku -3dB, w zależności od charakterystyki i strojenia głośników satelitarnych.

Jeśli satelity są podłączone przez filtr górnoprzepustowy (high-pass) subwoofera, (rys. 8, 9, 12, 13)

- Ustaw początkową częstotliwość LOW-PASS FILTER na 80 Hz.

Przeczytaj też sekcję "Dostrajanie subwoofera".

Dostrajanie subwoofera

Kino domowe

Przy subwooferze kina domowego sygnał LFE jest oddzielnym kanałem, a nie częścią składową sygnału kierowanego do satelitów. Filtr LOW-PASS FILTER jest wyłączony, ponieważ filtracja sygnału do satelitów (głośników ustawionych jako małe) przeprowadza procesor A/V. Niezależnie od tego, należy zwrócić uwagę na fazę głośników – powinna być ona zgodna. Normalnie faza będzie ustawiona na 0°, ale jeśli subwoofer znajduje się daleko od innych głośników, lub wzmacniacz mocy zasilający zestaw głośnikowe odwraca fazę, może się

zdarzyć, że potrzebne będzie odwrócenie fazy przełącznikiem (180°). Przeprowadź odsłuch na obu pozycjach i wybierz tą, która daje pełniejszy dźwięk.

Procesory dźwięku surround na ogół są wyposażone w generator sygnału testowego, umożliwiający wyrównanie poziomów głośników w poszczególnych kanałach. Dzięki temu ustawienie poziomów głośników jest relatywnie łatwe, choć uzyskany tą metoda rezultat nie jest zawsze jest optymalny. Jednakże nie obawiaj się modyfikacji ustawień zgodnie ze swymi preferencjami. Łatwo jest przeciążyć subwoofer w dobre kina domowego, a uzyskanie prawdziwie satysfakcjonującego dźwięku bardzo często zachodzi przy niższym ustawieniu poziomu subwoofera. Zyskujemy wtedy większy zapas dynamiczny, subwoofer pracuje z mniejszym poziomem zniekształceń, mniejsze jest ryzyko kompresji najgłośniejszych transjentów.

2-kanalowe audio

Optymalne ustawienia przełącznika PHASE i sterownika częstotliwości LOW-PASS FILTER są ze sobą powiązane i zależą od charakterystyki przenoszenia satelitów w zakresie niskich częstotliwości. Jednakże powyższe rekomendacje dla filtru LOW-PASS FILTER i przełącznika PHASE zostały tak dobrane, aby zachodziło dobre dopasowanie do głośników zarówno o otwartych, jak i zamkniętych obudowach, o dolnej częstotliwości granicznej (-6dB) leżącej w zakresie regulacji tego subwoofera.

Jeśli satelity są podłączone przez filtr górnoprzepustowy (high-pass) subwoofera (rys. 8, 9, 12, 13), częstotliwość LOW-PASS FILTER powinna być niższa od 80 Hz gdy pasmo "-3dB" satelitów sięga poniżej tej częstotliwości, i wyższa, gdy pasmo "-3dB" satelitów nie osiąga tej częstotliwości.

Wykorzystując zalecenia wstępnych ustawień, najpierw, sprawdź ustawienie przełącznika PHASE. Wybierz pozycję, która daje najpełniejszy dźwięk. Zwykle pozycja wyjściowa zapewni optymalny rezultat, ale w niektórych warunkach może być na odwrót, na przykład jeśli wykorzystujesz połączenie line level a wzmacniacz zasilający satelity odwraca fazę (przypadek rzadki), lub gdy subwoofer znajduje się z dala od satelitów.

Następnie ustaw poziom głośności subwoofera względem satelitów.

Wykorzystaj do tego celu różne nagrania. Na jednym nagraniu może Ci się wydać, że bas jest znakomity, podczas gdy na innym okaże się, że basu jest za dużo. Tak więc poeksperymentuj. Słuchaj przy realistycznym poziomie głośności. Percepcja basu mocno zależy od poziomu głośności.

Na końcu ustaw częstotliwość odciążenia (LOW-PASS FILTER) aby uzyskać najbardziej spójne połączenie satelitów. Ta regulacja wymaga najwięcej czasu i cierpliwości.

Wszystkie aplikacje

Przełącznik EQ reguluje strojenie (nachylenie spadku przetwarzania) basu. Niskie tony, które słyszysz jest połączeniem basu odtwarzanego przez subwoofer oraz basu odtwarzanego przez pozostałe głośniki. Należy wybrać położenie zapewniające najlepszy efekt brzmieniowy w danym pomieszczeniu i przy danej lokalizacji subwoofera. Położenie A daje bardziej suchy bas, odpowiadający lokalizacji w pobliżu narożnika i kompensujący pokoje o podbitym basie. Ustawienie "B" lepiej sprawdza się w pokojach pochłaniających bas i przy ustawieniach z dala od narożników pokoju.

Jeśli masz problemy z nierównym basem, to znaczy gdy niektóre nuty są wyekspozynowane na tle innych, warto poeksperymentować z położeniem subwoofera względem ścian. Zmiany w ustawieniu nawet tak małe jak 15 cm mogą odgrywać duże znaczenie dla jakości dźwięku. Spróbuj podnosić subwoofer względem podłogi, jak również przesuwając go względem ścian. Użycie kilku subwooferów może znacznie poprawić jakość basu, gdyż każdy z nich będzie wzbudzał inny rzęd rezonansów w pomieszczeniu, dzięki czemu nastąpi ich uśrednienie i wyrównanie przetwarzania basu. Jeśli zmieniasz położenia subwooferów (lub subwoofera) sprawdź też, czy odwrotna faza (PHASE SWITCH) nie da lepszego efektu. Należy też powtórnie sprawdzić (po ustawieniu fazy) ustawienie czułości (poziomu) subwoofera.

Jeśli używasz kilku subwooferów upewnij się, że każdy z nich ma takie same ustawienie filtru dolnoprzepustowego i fazy.

Dbłość o subwoofer

Obudowę subwoofera można zczyścić z kurzu suchą szmatką. Jeśli zamierzasz użyć sprayu, zawsze nakładaj go na ściereczkę, a nie bezpośrednio na obudowę. Przed czyszczeniem zdejmij maskownicę, aby uniknąć jej zaplamienia, ale zwróć uwagę, by pianka nie znalazła się na głośniku. Maskownicę można zczyścić miękką szczeroteczką.

Nie używaj subwoofera w roli stolika. Podczas pracy subwoofer wytwarza znaczne drgania. W szczególności uważaj, aby nie rozlać na subwoofer żadnego płynu.

Jeśli subwoofer nie jest używany przez dłuższy okres czasu, odłącz na stałe zasilanie.

Magyar

Korlátozott garancia

Tisztelt Vásárlónk, üdvözlö Önt a B&W!

Ezt a terméket a legmagasabb minőségű színvonalon tervezték és gyártották. Ha azonban a termék elromlik, a B&W Loudspeakers és annak hivatalos forgalmazói garantálják a térítésmentes munkát (az alól adódhatnak kivételek) és cserealkatrészeket bármely olyan országban, amelyet egy hivatalos B&W forgalmazó lát el.

Ez a korlátozott garancia a vásárlás dátumától számított öt évig érvényes illetve elektronikai berendezésekre vonatkozóan (beleértve az erősítőit tartalmazó hangsugárgókat is) két évig.

Feltételek

- A garancia csak a berendezés javítására vonatkozik. A termékeknek sem szállítási és egyéb költségei, sem leszerelése, szállítása és üzembe helyezése nem tartozik ezen garancia hatásköre alá.
- Ez a garancia csak az eredeti tulajdonos számára érvényes. Nem átruházható.
- Ez a garancia csak a vásárlás időpontjában már fennálló, az anyagokban és/vagy a kivitelezésben bekövetkezett hibákra vonatkozik, és nem vonatkozik az alábbiakra:
 - a helytelen üzembe helyezés, csatlakoztatás vagy csomagolás okozta károokra,
 - a használati útmutatóban helyes használatként feltüntetett használati módtól eltérő felhasználásból, hanyagságból, módosításból vagy a B&W által jóvá nem hagyott alkatrészek alkalmazásából eredő károokra,
 - hibás vagy nem megfelelő csatlakozó eszközök által okozott károokra,
 - baleset, villámcsapás, beázás, tűz, háború, helyi zavarások vagy más, a B&W és kijelölt forgalmazói ésszerű hatáskörön kívül eső események okozta károokra,
 - azokra a termékekre, amelyek sorozatszámát megváltoztatták, törölték, eltávolították vagy más módon olvashatatlanná tették,
 - ha a javításokat vagy módosításokat egy arra fel nem hatalmazott személy végezte el.
- Ez a garancia kiegészít minden más, a helyi szakkereskedőkre vagy országos forgalmazókra vonatkozó egyéb törvényt és nem érintik az Ön alapvető vásárlói jogait.

Hogyan igényelje a garanciális javítást

Amennyiben javítás válik szükségessé, kérjük kövesse az alábbi eljárást:

- Ha a terméket a vásárlás országában használják, akkor lépjen kapcsolatba azzal a hivatalos B&W szakkereskedővel, akitől a berendezést vásárolta.
- Ha a terméket nem a vásárlás országában használják, akkor lépjen kapcsolatba a tartózkodási ország B&W forgalmazójával, aki megadja Önnek a legközelebbi szerviz adatait. Felhívhatja még a B&W-t is az Egyesült Királyságban vagy meglátogathatja honlapunkat a helyi forgalmazó kapcsolat felvételi adatainak kiderítése érdekében.

A garancia érvényesítéséhez fel kell mutatnia ezt a garanciafüzetet, amit a szakkereskedőnek a vásárlás napján ki kell töltenie és le kell bélyegeznie. Ehelyett szüksége lehet az eredeti kereskedelmi számlára vagy a tulajdonosi viszonyt bizonyító más dokumentumra és a vásárlás dátumára.

Használati útmutató

FONTOS BIZTONSÁGI ELŐÍRÁSOK



Figyelem:

Az elektromos áramütés kockázatának csökkentése érdekében ne távolítsa el a hátlapot. Nem található belül a felhasználó által javítható alkatrészek. A javítást bizza képzett szakemberre.

Grafikai szimbólumok jelentésének magyarázata:



Az egyenlő oldalú háromszögben látható villám jel szigeteletlen „veszélyes feszültség” jelenlétére hívja fel a figyelmet a termék házában belül, mely elegendő erősségű, hogy áramütés érje a felhasználót.



Az egyenlő oldalú háromszögbe foglalt felkiáltójel célja figyelmeztetni arra, hogy a készülékhez mellékelte dokumentációban fontos információk találhatóak a működtetéssel és karbantartással (javítással) kapcsolatban.

FIGYELMEZTETÉSEK:

- Olvassa el a kezelési útmutatót – Olvasson el minden biztonsággal és üzemeltetéssel kapcsolatos előírást, mielőtt a készüléket használni kezdi.
- Tartsa meg a kezelési útmutatót – A biztonsággal és üzemeltetéssel kapcsolatos előírásokat tartsa meg, mert később még szükség lehet rá.
- Tartsa be a figyelmeztetéseket – Minden figyelmeztetést tartson be, melyet a készüléket, vagy a kezelési útmutatóban talál.
- Kövesse az utasításokat – Minden üzemeltetési és használati utasítást pontosan kövessen.
- Áramforrások – A terméket csak olyan áramforrással üzemeltesse, melyet annak hátoldalán feltüntettek. Amennyiben nem tudja azt milyen áramforrás van otthonában, akkor lépjen kapcsolatba a termék kereskedőjével, vagy a helyi áramszolgáltatóval.
- Földelés és polarizáció – A készüléket nem szükséges földelni. Ellenőrizze, hogy a hálózati csatlakozódugó teljesen illeszkedjen a fali konnektorba, vagy hosszabbító aljzatba, hogy ne lehessen megérinteni az érintkező tűskéket. A 110V – 120V használatra megjelölt termékváltozatokat olyan hálózati csatlakozóvezetékekkel látták el, mely polarizált, váltakozó feszültségű csatlakozódugóval rendelkezik (az egyik érintkező tűske szélesebb a másiknál). Ez a csatlakozódugó csak egyféléképpen csatlakoztatható a konnektorhoz. Ez egy biztonsági megoldás. Amennyiben nem tudja a dugót teljes mértékben az aljzatba nyomni, akkor próbálja megfordítani. Ha a dugó még mindig nem illeszkedik, akkor lépjen kapcsolatba egy villanyszerelővel a konnektoraljzat cseréjével kapcsolatban. Ne hagyja figyelmen kívül a polarizált csatlakozódugó biztonsági célját. Ha hosszabbító csatlakozóvezetékét, vagy nem a készülékhez mellékelte hálózati csatlakozóvezetékét használ, akkor az rendelkezzen megfelelő, egybeöntött csatlakozódugókkal, és használat országának megfelelő biztonsági minősítéssel.
- Hálózati csatlakozóvezeték védelme – A hálózati csatlakozóvezetékét úgy vezesse el, hogy ne lehessen rájuk lépni, és ne szúrja át őket semmi. Fordítson különös figyelmet a vezetékre a csatlakozódugónál, az elosztóknál, és arra a pontra, ahol a készülékből kilépnek.
- Tűlterhelés – Ne terhelje túl a fali konnektorokat, hosszabbító vezetéküket, vagy a beépített elosztókat, mert fennáll a tűz és elektromos áramütés kialakulásának veszélye.

- 9 Szellőzés – A termék hátoldalán az erősítő panel részét képezi a hűtési mechanizmusnak, és nem szabad eltávolítani, ágyra, kanapéra, szőnyegre, vagy más hasonló felületre helyezni. A megfelelő hűtés érdekében biztosítsa, hogy a hűtőborda bordái függőlegesek legyenek. A terméket ne helyezze beépített helyre, mint például egy rack, könyvespolc, vagy szekrény, hacsak nem biztosítja a megfelelő szellőzést, és a gyártó utasításai nem engedélyezik azt.
- 10 Hő – A terméket a ne helyezze olyan hőforrások közelébe, mint például hősugárok, hőtárolók, kályhák, vagy egyéb termékek, melyek hőt termelnek (például erősítők).
- 11 Felszerelés a falra vagy mennyezetre – A terméket falra vagy mennyezetre csak a gyártó előírása szerint szerelje.
- 12 Víz és pára – Ne használja a terméket víz közelében – például fürdőkád, mosdó, konyhai mosogató, mosókád mellett, nedves alagsorban, vagy úszómedencéhez, és hasonlókhöz közel.
- 13 Ha a készülékbe idegen tárgy vagy folyadék kerül – Soha ne erőltessen semmilyen tárgyat a készülékbe a nyílásokon keresztül, mert veszélyes feszültség alatti pontokat érthet meg vele, vagy rövidre zárhat olyan részeket, melyek tüzet, és áramütést okozhatnak. Soha ne öntsön semmilyen folyadékot a termékbe. Ne helyezzen semmilyen folyadékot tartalmazó tárgyat a termék tetejére!
- 14 Tisztítás – Tisztítás előtt szüntesse meg a termék hálózati csatlakozását. Olvassa el a kezelési útmutató „Gondozás” című fejezetét a tisztítási előírásokkal kapcsolatban.
- 15 Kiegészítő berendezések – Ne használjon olyan kiegészítő berendezést, melyet a használati útmutató nem javasol, mert használata veszélyes lehet.
- 16 Tartozékok – Ne helyezze a terméket nem stabil felületre, állványra, konzolra vagy asztalra. A termék leeshet, súlyos sérülést okozva gyermekeknek és felnőttek egyaránt, károsítva saját magát. Csak a gyártó ajánlott állványt, asztalt, konzolt használjon, vagy olyat, amit a termékkel együtt adnak el. A termék felszerelésekor mindig kövesse a gyártó előírásait, és a gyártó által ajánlott felszerelési tartozékokat használjon.
- 17 Berendezés mozgatása – A termék és állvány kombinációját óvatosan kell mozgatni. A gyors megállások, a hirtelen lökések, és az egyenetlen felület hatására a termék és az állvány felborulhat. Ne húzza a terméket csúcsos lábain, mert a lábak leválhatnak a házról, és kárt okozhatnak.
- 18 Ha nem használja a terméket – Szüntesse meg a készülék hálózati vezetékének csatlakozását, ha hosszabb időn keresztül nem tervezi a termék használatát.
- 19 Javítás – Ne próbálja meg saját maga megjavítani a terméket, mert a fedelelek eltávolításával veszélyes feszültségnek, és egyéb veszélyeknek teszi ki magát. Bizonn minden javítást szakemberre.
- 20 Javítást igénylő kár – Szüntesse meg a termék hálózati csatlakozását, és a javítást bízza szakemberre a következők esetén:
- a Ha a hálózati csatlakozóvezeték, vagy csatlakozódugó megsérült.
 - b Ha folyadékot öntött, vagy idegen tárgy került a készülék belsejébe.
 - c Ha a termék eső vagy víz hatásának tette ki.
 - d Ha a termék nem működik megfelelően annak ellenére, hogy a kezelési útmutatót követi. Csak azokat a kezelőszerveket állítsa, melyekre kiterjed a kezelési útmutató. A kezelőszervek nem megfelelő beállítása kárt okozhat, és gyakran komoly munkát jelent egy szakember számára, hogy a terméket ismét megfelelően működő állapotba hozza.
 - e Ha a terméket leejtette, vagy bármilyen egyéb módon kárt okozott benne.
 - f Ha a termék teljesítménye érezhetően megváltozik – ez a javítás szükségességét jelzi.
- 21 Cserealkatrészek – Ha cserealkatrészekre van szüksége, akkor mindig ellenőrizze, hogy a szerviz szakember a gyártó által előírt, vagy az eredetivel megegyező karakterisztikájú cserealkatrészeket használja. A nem megfelelő helyettesítés tüzet, elektromos áramütést, és egyéb veszélyt okozhat.
- 22 A hálózati biztosítékok az erősítő belsejében helyezkednek el, és cseréjükét bízva hivatalos B&W szakemberre. A cserebiztosítékok típusa a műszaki adatok között található.
- 23 Biztonsági ellenőrzés – A termék bármilyen javításának befejezése után kérje a szakember, hogy végezzen el egy biztonsági ellenőrzést, hogy a termék megfelelő működési állapotban legyen.
- 24 Mágneses mezők – A termék szórt mágneses mezőt hoz létre. Ne helyezzen a készülék 0,5 méteres körzetébe olyan tárgyat, melyet károsíthat ez a mágneses mező (pl. katód sugárcsöves televíziók, számítógép monitorok, audio és video kazetták, hitelkártyák). A készülék torzulást okozhat a katód sugárcsöves készülékek képében ezen a távolságon belül.

Bevezető

Köszönjük, hogy ezt a B&W mélyugárgázót választotta.

1966-os megalapítása óta a B&W mindig a tökéletes hangreprodukciónak kereste termékeiben. John Bowers, a cég alapítójának hatására a feladat nem csak hatalmas befektetéseket igényelt az audio technológiába, és fejlesztésbe, hanem megteremtette a zene értékét, és a filmhangok igényeinek figyelembe vételét, hogy biztosítsa a tökéletes technológiát.

Ezt a mélyugárgázót házimozzi rendszerekhez, valamint a 2-csatornás rendszerekben a „szélessávú” hangsugárgók mélyhang teljesítményének pótlására tervezték. A mélyugárgázót rendszeréhez adva nem csak a mélyhangok terjednek ki alacsonyabb frekvenciákra, hanem javíthatja a középtartomány tisztaságát is, csökkentve a meglévő hangsugárgók alacsony frekvenciás kihatásait.

Kérjük gondosan olvassa el ezt a kezelési útmutatót, mielőtt használni kezdené mélyugárgázóját. Minden elrendezés igényel némi átgondolást és kísérletezést, ha a legjobbhat szeretné kihozni termékeiből. Ez az útmutató segíteni fog a beállítások elvégzésében.

Mivel a mélyugárgázó a hálózati áramforráshoz csatlakozik, ezért fontos, hogy tisztában legyen a biztonsági előírásokkal, és betartson minden figyelmeztetést.

Tartsa ezt a kezelési útmutatót biztos helyen, mert később még szüksége lehet rá.

A B&W hangsugárgók a világ 60 országában kaphatók, és gondosan kiválasztott, kizárólagos disztribútorok nemzetközi hálózatot tartjuk fent. Amennyiben olyan problémája van, melyet kereskedője nem tud megoldani, akkor disztribútoraink boldogan állnak rendelkezésére.

Kicsomagolás (1-es ábra)

A mélyugárgázó kicsomagolásának és a károkázás elkerülésének legegyszerűbb módja a következő:

- Hajtsa hátra a kartonszármakot, majd fordítsa meg az egész dobozt.
- Emelje le a kartondobozt a termékről.

Tartsa meg a csomagolást, mert később még szükség lehet rá.

A kezelési útmutató mellett a kartondoboznak a következőket kell tartalmaznia:

- 1 mélyugárgázó
- 4 becsavarható gumitalp
- 4 becsavarható tüske rögzítővel
- 1 nemzetközi garancia dokumentum

A mélysugárzó ismertetése

(2-es ábra)

- 1 Hűtőborda
- 2 Hangsugárzó jelszintű csatlakozóaljzatok
- 3 Vonalszintű csatlakozóaljzatok
- 4 EQ (ekvalizer) kapcsoló
- 5 LOW-PASS FILTER (alul-áteresztő szűrő) frekvencia szabályzó
- 6 PHASE (fázis) kapcsoló
- 7 LOW-PASS FILTER (alul-áteresztő szűrő) kapcsoló
- 8 MODE (üzemmód) On/Auto (bekapcsolt/ automatikus) üzemmód kapcsoló
- 9 Bekapcsolt/készletléti állapot jelzés
- 10 VOLUME (hangerő) szabályzó
- 11 Hálózati csatlakozóvezeték
- 12 POWER (üzemi) kapcsoló

A mélysugárzó feladata

Alkalmazás: házimozi

A mélysugárzó elsődleges funkciója az alacsony frekvenciás effekt (LFE) csatorna jeleinek reprodukálása. Mindezek mellett a jelfeldolgozó úgy is beállítható, hogy a többi csatorna alacsony frekvenciás basszus jelét, vagy annak egy részét adja az LFE információhoz. Ehhez általában a beállítási eljárásnál a „small” hangszugárzó méretet kell választania a kérdéses hangszugárzónál.

Alkalmazás: 2-csatornás hang

A mélysugárzót a basszus kiterjedésének fokozására használják, hogy kiegészítse a szatellit hangszugárzók által lefedett tartományt. Legtöbb esetben a legjobb eredmény úgy érhető el, ha a szatellit hangszugárzók szélessávú üzemmódban működnek, közvetlenül az erőstől. A mélysugárzó alul-áteresztő szűrőjét pedig úgy kell beállítani, hogy a kimenet ott kezdjen el működni, ahol a szatellit hangszugárzók természetesen elhalkulnak. Amennyiben a szatellit hangszugárzók túl kicsik, a rendszer kimeneti szintje korlátozott lehet a helytartomány túlterhelése miatt. Ebben az esetben jobb eredmény érhető el, ha a mélysugárzó felül-áteresztő szűrőjét használja, hogy korlátozza a szatellit hangszugárzókra kerülő basszus energiát.

A mélysugárzó elhelyezése

Mivel a mélysugárzó csak alacsony frekvenciás hangokat állít elő, ezért az elhelyezése több szempontból is kevésbé kritikus a szélessávú hangszugárzókhoz képest. Az irány információ kevésbé pontos, és sokkal nagyobb a választási lehetőség az elhelyezésre is, hogy jó hatást érjen el. A legjobb eredmény úgy érhető el, ha a mélysugárzó a bal és jobb hangszugárzó között foglal helyet, vagy az egyik hangszugárzó közelében. Amennyiben két mélysugárzó használ, akkor legjobb, ha egyet-egyét helyez a bal és jobb hangszugárzók mellé.

Általában még surround rendszerek esetén is gyenge lesz a hangkép, ha a mélysugárzót a hallgatók mögé helyezi, de elfogadható kompromisszum lehet, ha a lakberendezés fontos szempont.

Mint minden hangszugárzó esetén, a helyiség falai befolyásolják a hangot. A basszus rendszerint fokozódik, ahogy egyre több felület kerül a hangszugárzó közelébe. A szélessávú hangszugárzótól eltérően itt szabályozhatja a rendszer egyensúlyát a mélysugárzó hangerejének beállításával. Minél jobban erősít a szoba, annál kevésbé kell a hangszugárzónak dolgoznia; természetesen van egy árnyoldal is. A sarkokban történő elhelyezés esetén gyakran jobban kiemelkednek a szoba rezonanciái, egyenetlenné téve a basszust a frekvenciától függően. A kísérletezést semmi sem helyettesíti, mivel minden helyiség különbözően viselkedik. A végső döntés előtt próbálja ki a mélysugárzót többféle pozícióban. Hasznos lehet egy olyan zenedarab a basszusmenet egyenletességének vizsgálatára, melyben a mélyek átvonulnak a teljes zenei skálán. Figyelje meg a hangos, és halk hangjegyeket. A különálló mélysugárzóval lehetőség nyílik a szobarezonanciák optimalizálására a szatellit hangszugárzók elhelyezésétől függetlenül, hogy a legjobb hangképet kapja.

Ha a mélysugárzót szűk helyen használja (pl. egyedi bútorban), akkor biztosítsa a szellőzést, hogy megfelelő mennyiségű levegő keringessen, és hűthesse a készüléket. Kérje kereskedője tanácsát.

A mélysugárzóhoz négy tusketalp tartozik. A tuskék átszúrják a szőnyeget, stabil, közvetlen kapcsolatot teremtve a padló felületével, a szőnyeg megsértése nélkül.

Ha a készüléket sérülékeny felületre helyezi, mint például egy fapadló, akkor helyezzen védőlemezt minden egyes túska alá, vagy szerelje fel a négy gumitalpat a tuskék helyett.

A gumii- vagy tusketalp felszerelésénél először csavarozza be teljesen a rögzítőket, majd csavarja be a talpakat teljesen a menetes lyukakba a doboz alján. Ha a mélysugárzó áll stabilan, akkor lazítsa meg a megfelelő két szemközti talpat, hogy a doboz stabil legyen, szorítsa meg a rögzítőket.

Elektronikus csatlakoztatás

Szüntesse meg hangrendszere összes készülékének csatlakozását a hálózati áramforrással, amíg nem ellenőrzi a jelcsatlakoztatást. Ezzel elkerülheti a csatlakoztatással okozható kárt.

A mélysugárzó képes fogadni és továbbítani vonalszintű jeleket az RCA aljzatokon keresztül, valamint hangszugárzó szintű jeleket fogadni és továbbítani a hátoldalon található sztereócsatlakozókkal.

A következő segédletet használja, hogy kiválassza a megfelelő csatlakoztatási módszert a rendszerhez:

Alkalmazás: házimozi

Különálló erősítővel rendelkező

jelfeldolgozó, melyek egy, vagy több mélysugárzót hajtanak meg – 3-as ábra.

Integrált erősítővel rendelkező jelfeldolgozó, melyek egy, vagy több mélysugárzót hajtanak meg:
– vonalszintű mélysugárzót kimenettel – 4-es ábra
– hangszugárzó szintű mélysugárzó kimenettel – 5-ös ábra

Alkalmazás: 2-csatornás hang

Különálló elő- és végerősítő:

- Szélessávú jel a szatellit hangszugárzókhoz és:
 - Egy mélysugárzóhoz – 6-os ábra
 - Két mélysugárzóhoz – 7-es ábra
- Felül-áteresztett jel a szatellit hangszugárzókhoz és:
 - Egy mélysugárzóhoz – 8-as ábra
 - Két mélysugárzóhoz – 9-es ábra

Integrált elő-/végerősítő:

- Szélessávú jel a szatellit hangszugárzókhoz és:
 - Egy mélysugárzóhoz – 10-es ábra
 - Két mélysugárzóhoz – 11-es ábra
- Felül-áteresztett jel a szatellit hangszugárzókhoz és:
 - Egy mélysugárzóhoz – 12-es ábra
 - Két mélysugárzóhoz – 13-as ábra

Egynél több mélysugárzó használata

Ha egynél több készüléket használ ugyanabban a rendszerben, akkor az a következő módon fokozhatja a teljesítményt:

- Fenntartja a sztereó szeparációt a legalacsonyabb frekvenciáknál.
- Megbirkózik a nagyobb helyiségekkel is.
- Nagyobb maximális hangerőt tesz lehetővé – gyakran hasznos a házimozi alkalmazások különleges hatásainak reprodukálásához.
- Kismítja a helyiség alacsony frekvenciás rezonanciáinak hatását.

Amennyiben két mélysugárzót használ 2-csatornás hanghoz, akkor a sztereó szeparációt fokozható, ha mindkét csatorna különálló mélysugárzóval rendelkezik, és közel helyezkedik el a hozzá tartozó szatellit hangszugárzóhoz. Csak a 8-as ábra mono csatlakoztatását használja, ha nem tudja a szatellit hangszugárzókhoz közel elhelyezni az egyes mélysugárzókat.

Gondosan ellenőrizze a csatlakoztatásokat

ELLENŐRIZZE, HOGY AZ ERŐSÍTŐ HÁTOLDALON FELTÜNTETETT ÜZEMI FESZÜLTSG MEGEGYEZZEN A HELYI HÁLÓZATI ÁRAMFORRÁS FESZÜLTSGÉVEL.

Mielőtt meghallgatja új rendszer hangját, és finom hangolja, kétszer is ellenőrizze a csatlakoztatásokat. A felhasználók gyakran panaszkodnak, hogy a rendszer hangját nem lehet megfelelően beállítani a kezelőszervekkel, és nem veszik észre a hibás csatlakoztatást. Ennek érdekében ellenőrizze:

- Megfelelő-e a fázisbeállítás – megegyeznek-e a szatellit hangszugárzókhoz negatív és pozitív pólusainak bekötései. Ha valami nincs fázisban, akkor a hang zavaros lehet, pontatlan, lebegő képpel, a basszus hiányával, vagy akár mindkét tény megfigyelhető.
- Nincsenek felcserélve a bal – jobb csatornák – ez például azt eredményezheti, hogy a zenekar rossz irányban helyezkedik el, vagy ami ennél sokkal kiábrándítóbb, hogy házihozi esetén a hang ellentétes irányban mozog, mint ahogy a képernyőn az esemény megkövetelné.

Be- és kikapcsolás

Azt javasoljuk, hogy a mélysugárzót kapcsolja be először, mielőtt az erősítőt a mélysugárzó bármilyen jelet kapna. Hasonlóan kikapcsolás esetén, a mélysugárzót kapcsolja ki utólag.

A MODE On/Auto (bekapcsolás/automatikus) üzemmód kapcsoló (8) és a hozzátartozó jelzés (9) a következők szerint működik:

On (Bekapcsolt állapot):

Ha a kapcsoló az állásban van, az erősítő mindig aktív marad, és a jelzés zölden világít.

Auto (Automatikus állapot):

Ha a kapcsoló az Auto állásban van, akkor a mélysugárzó első bekapcsolása esetén az erősítő teljesen aktív lesz, és a jelzés (9) zölden világít. Ha nem kap a mélysugárzó bemeneti jelet, akkor körülbelül 5 perc múlva az erősítő automatikusan készenléti állapotba kapcsol, és a jelzés pirosan világít. Ha bemeneti jelet érzékel, az erősítő teljesen aktív lesz, és a jelzés zölden kezd világítani.

Kezelőszervek beállítása

5 kezelőszerv működését kell ismertetni:

- A VOLUME hangerőszabályzó (10)
- A LOW-PASS FILTER (alul-áteresztő szűrő) frekvencia vezérlő (5)
- A LOW-PASS FILTER (alul-áteresztő szűrő) kapcsoló (7)
- A PHASE kapcsoló (6)
- Az EQ (ekvalizer) kapcsoló (4)

Az optimális beállítás a mélysugárzóval használt egyéb készülékektől függ. Ha egyenlő több mélysugárzót használ, akkor ellenőrizze, hogy a kezelőszervek mindegyike ugyanúgy legyenek beállítva.

Házihozi

A mélysugárzó nem THX® minősítésű komponens, de tetszés szerint használhatja THX® minősítésű vezérlővel.

- Állítsa a VOLUME hangerőszabályzó 9 óra állásba.
- Állítsa a LOW-PASS FILTER kapcsolót OUT állásba.
- Állítsa az EQ kapcsolót kezdetben A állásba.
- Állítsa a PHASE kapcsolót kezdetben 0° állásba.
- A LOW-PASS FILTER frekvencia vezérlő beállítása most lényegtelen.

Lásd még a „Finom hangolás” című fejezetet.

Amennyibe THX® vezérlővel rendelkezik, ellenőrizze, hogy engedélyezve legyen a mélysugárzó funkció. Ilyen beállítás mellett rendelkezésre áll az összes szűrő és jelszint beállítás, mely a mélysugárzóhoz szükséges a különböző üzemmódokban. Jelszint kalibrálásához a belső teszthangot és csatorna szint vezérlést használja a THX® vezérlő. A jelszintet minden esetben úgy kell beállítani, hogy 74dB SPL (C-súlyozás) legyen a hallgatási pozícióban a vezérlő belső zajteszt jelét használva.

Más jelfeldolgozók esetén állítsa be megfelelően az első és surround hangszugárzókat „large” (nagy) vagy „small” (kicsi) méretűre a jelszintek beállítása előtt. Használja a belső zajteszt jelet és a jelfeldolgozó hangerőszabályzóját a hangszugárzó jelszintjének beállításához. A mélysugárzó hangerőszabályzóját csak akkor állítsa, ha jelfeldolgozóval nem lehet elérni a megfelelő jelszintet.

Az elektronikai üzletekben kaphatók olcsó hangnyomás mérők, melyek a jelszintek kalibrálásához használhatók. Olvassa el a jelfeldolgozó kezelési útmutatóját jelszintek beállításának további részleteivel kapcsolatban.

2-csatornás hang

- Állítsa a VOLUME hangerőszabályzó 9 óra állásba.
- Állítsa a LOW-PASS FILTER kapcsolót IN állásba.
- Állítsa az EQ kapcsolót kezdetben A állásba.
- Állítsa a PHASE kapcsolót kezdetben 180° állásba.

Ha szélessávú üzemmódban használja a szatellit hangszugárzókat (6-os, 7-es, 10-es, 11-es ábrák)

- Állítsa a LOW-PASS FILTER frekvenciáját a szatellit hangszugárzók -6dB-es vágási frekvenciájára.

Mind a -3dB-es, mind a -6dB-es érték megtalálható az egyes B&W hangszugárzók műszaki adatai között.

Amennyiben a szatellit hangszugárzó gyártója nem adja meg a -6dB-es frekvenciát, csak a -3dB-es frekvenciát, akkor a LOW-PASS FILTER frekvencia vezérlő optimális beállítása a -3dB-es frekvencia 0,6-szorosa és 0,9-szerese között lesz, a hangszugárzótól függően. Minél laposabb a szatellit hangszugárzó alsó vágási frekvenciamenete, annál

alacsonyabb frekvenciát kell beállítani.

Ha felül-áteresztett üzemmódban használja a szatellit hangszugárzókat (8-as, 9-es, 12-es, 13-as ábrák)

- Állítsa a LOW-PASS FILTER frekvenciáját kezdetben 80Hz értékre.

Lásd még a „Finom hangolás” című fejezetet.

Finom hangolás

Házihozi

Házihozi alkalmazás esetén a mélysugárzó (LFE) jele egy különálló csatorna, és nem csak a jel bővített része a szatellit hangszugárzó felé. Az alul-áteresztő szűrő kikapcsolására kerül, mert a jelfeldolgozó elvégzi a szűrés minden „small” (kicsi) mérethez beállított hangszugárzó számára. Mindezek ellenére a fáziskapcsoló pozícióját be kell állítani. Hagyományos esetben a fázis számára a 0° a jó beállítás, de ha a hangszugárzó jelentős távolságban helyezkedik el a többi hangszugárzótól, vagy a többi hangszugárzót meghajló végerősítő invertálja a jelet, akkor a 180° lesz a helyes választás. Hallgassa meg a rendszert a kapcsoló mindkét állapotában, és válassza azt, mely a lényegesebb hangot adja. Amennyiben csak kicsi a különbség, akkor válassza a 0° beállítást.

A surround hangfeldolgozók rendszerint rendelkeznek egy kalibrált zajjellel, melyet a hangszugárzó relatív jelszintjének beállításához használhat, így valamilyen egyszerűbb lesz a feladat, mint a 2-csatornás hang esetében. Mindezek ellenére ne felejtse a beállítások saját izlése szerinti megváltoztatásától. A hallgatást könnyen magával ragadja a mélysugárzó képessége, különösen egyes különleges alacsony frekvenciás hatások esetében. Gyakran sokkal letezerűbb hangkép alakul ki, ami sokkal elfogadhatóbb hosszabb távon, ha a mélysugárzó jelszintjét a hagyományos kalibrált jelszint alá állítja be.

2-csatornás hang

A PHASE kapcsoló és LOW-PASS FILTER frekvencia vezérlő optimális beállítása összefügg, és kapcsolatban van a szatellit hangszugárzó alacsony frekvenciás vágási karakterisztikájával is. Mindezek ellenére a fent ajánlott beállításokat a LOW-PASS FILTER vezérlő frekvenciájára és a PHASE kapcsoló beállítására úgy választották meg, hogy megfeleljenek a legtöbb mélysugárzó rendszer számára (legyen az zárt, vagy bass-reflex rendszerű). -6dB-es frekvenciákkal a mélysugárzó beállítási tartományán belül.

Amennyiben a szatellit hangszugárzó a jelet a mélysugárzó magas-áteresztő szűrőjén keresztül kapják, akkor a frekvenciát alacsonyabbra kell beállítani, mint a 80Hz kezdeti beállítási, ha a szatellit hangszugárzó -3dB-es frekvenciája alacsonyabb 80Hz-nél, és magasabbra, ha fölötte van.

Állítsa a rendszert a kívánt pozícióba, és indítsa el valamilyen műsor lejátszását, mely folyamatosan tartalmaz mélyhangokat.

A kezdeti beállítási segédletet használva először ellenőrizze a PHASE kapcsoló állását. Válassza azt a pozíciót, mely teljesebb hangot biztosít. Hagyományos esetben az ajánlott pozíció lesz az optimális, de vannak kivételes esetek. Ha például vonalszintű csatlakoztatást használ, és a szatellit hangsugárzókat meghajtó végerősítők invertálják a jelet, vagy ha a mélysugárzókat nem a szatellit hangsugárzók közelébe helyezte.

Következő lépésként állítsa be a mélysugárzó hangerejét a relatív a szatellit rendszerhez képest tetszés szerinti. Műsoranyagok széles skáláját használja a legjobb beállításához. Ha egy beállítás lenyűgözően szól egy adott műsorról, attól még lehet, hogy egy másik számára túl erősnek bizonyul. Ne hallgassa túl hangosan, mert az egyensúly érzékelése a hangerővel változik.

Végül állítsa be a LOW-PASS FILTER vezérlő frekvenciáját, hogy zökkenőmentes legyen az átmenet a mélysugárzó és a szatellit hangsugárzók között. Talán ezt a legnehezebb optimálisan beállítani.

Minden alkalmazáshoz

Az EQ kapcsoló a mélyhang vágás módját változtatja meg. A hallott basszus a mélysugárzó és a szoba hatásainak összessége, és meg kell választania azt hallgatási a pozíciót, mely a legjobb az adott helyiségben, valamint a mélysugárzó pozícióját. Az A pozíció szárazabb hangot nyújt, jobban megfelel egy sarokba helyezett mélysugárzóhoz, vagy egy kongó szoba kompenzálásához. A B pozíció száraz szobai akusztikához ajánlott, saroktól távoli mélysugárzó elhelyezés mellett.

Amennyiben problémája van a kiegyenlített basszussal – ha egyes basszus tartományok erősebbek másoknál -, akkor valószínűleg a szoba illesztésének problémájával néz szembe, és érdemes kísérletezni a mélysugárzó elhelyezésével. A kismértékűnek tűnő elhelyezés változtatások – pl. 15cm – óriási hatással lehetnek a hangra. Próbálja a mélysugárzót felemelni a padlóról, valamint más irányba elmozdítani. Több mélysugárzó használatával kisimíthatja a helyiség rezonanciákat, mivel minden mélysugárzó más frekvencián hoz létre rezonanciát. Ha jelentősen megváltoztatja a relatív távolságot a mélysugárzó(k) és szatellit hangsugárzók, valamint a hallgató között, akkor végezze el ismét a fáziskapcsoló beállítását. Ellenőrizze a mélysugárzó jelszint beállítását is (a jelfeldolgozó kimeneti jelszint beállítását, vagy a mélysugárzó erősítőjének hangerőszabályozóját használva), de csak a fázis megfelelő beállítása után.

Ha egyenlő több mélysugárzót használ, ellenőrizze, hogy megegyezzenek a LOW-PASS FILTER frekvencia vezérlő és PHASE kapcsoló beállítások.

A mélysugárzó karbantartása

A mélysugárzót dobozát száraz ronggyal áttörővel tisztíthatja. Ha aeroszolos tisztítósprayt szeretne használni, akkor ne közvetlenül a hangdobozra fújjon belőle; fújjon egy rongyra. Először távolítsa el a hangszórócsölymet, hogy ne legyen foltos, de vigyázzon, hogy ne okozzon kárt a hangszóróban. A hangszórócsölymet puha kefével tisztíthatja.

Ne használja asztalként a mélysugárzót. Használat közben a mélysugárzóra helyezett tárgyak elmozdulhatnak. Ügyeljen rá, hogy ne öntsön folyadékot a mélysugárzóra (pl. pohárból, vagy vírágvázából).

Amennyiben hosszú időn keresztül nem tervezi a rendszer használatát, szüntesse meg a mélysugárzó csatlakozását a hálózati áramforrással.

Ελληνικά

Περιορισμένη εγγύηση

Αξιότιμε Πελάτη

Καλωσορίσατε στην B&W.

Το παρόν προϊόν έχει σχεδιαστεί και κατασκευαστεί σύμφωνα με τις υψηλότερες προδιαγραφές ποιότητας. Πάντως, εάν κάποιο πρόβλημα όντως παρατηρηθεί με το προϊόν αυτό, η B&W Loudspeakers και οι εθνικοί της αντιπρόσωποι, εγγυώται ότι θα παρέχουν χωρίς χρέωση εργασία (μπορεί να ισχύσουν περιορισμοί) και εξαρτήματα σε κάθε χώρα όπου υπάρχει εξουσιοδοτημένος αντιπρόσωπος της B&W.

Η περιορισμένη αυτή εγγύηση ισχύει για μια περίοδο πέντε ετών από την ημερομηνία αγοράς ή δύο ετών για ηλεκτρονικά, συμπεριλαμβανομένων και ενισχυμένων μεγαφώνων.

Όροι και προϋποθέσεις

- 1 Η εγγύηση καλύπτει μόνο την επισκευή του εξοπλισμού. Η εγγύηση δεν καλύπτει τα έξοδα μεταφοράς, ή οποιαδήποτε άλλα έξοδα, ούτε άλλους κινδύνους για τη μετακίνηση, μεταφορά και εγκατάσταση των προϊόντων.
- 2 Η εγγύηση ισχύει μόνο για τον αρχικό αγοραστή. Δεν μεταβιβάζεται.
- 3 Η εγγύηση δεν θα ισχύει σε περιπτώσεις που δεν σχετίζονται με αστοχία υλικών και/ή εργασία συναρμολόγησης κατά τον χρόνο αγοράς και δεν θα ισχύει:
 - a για ζημιές που προκλήθηκαν από λανθασμένη εγκατάσταση, σύνδεση ή συσκευασία,
 - β για ζημιές που προκλήθηκαν από οποιαδήποτε άλλη από τη σωστή χρήση όπως περιγράφεται στο εγχειρίδιο χρήστη, από αμέλεια, από μετατροπές ή από χρήση εξαρτημάτων που δεν κατασκευάζονται ούτε έχουν εγκριθεί από την B&W,
 - γ για ζημιές που προκλήθηκαν από ελαττωματικό ή ακατάλληλο βοηθητικό εξοπλισμό,
 - δ για ζημιές που προκλήθηκαν από ατυχήματα, αστραπές, νερό, φωτιά, θερμότητα, πόλεμο, λαϊκές εξεγέρσεις ή οποιαδήποτε άλλη αιτία υπεράνω του ελέγχου της B&W και των εξουσιοδοτημένων αντιπροσώπων της,
 - ε για προϊόντα των οποίων ο αριθμός σειράς έχει μεταβληθεί, διαγραφεί, αφαιρεθεί ή έχει καταστεί δυσανάγνωστος,
 - στ εάν έχουν γίνει επισκευές ή μετατροπές από κάποιο μη-εξουσιοδοτημένο άτομο.

- 4 Η εγγύηση αυτή συμπληρώνει οποιοδήποτε εθνικό / περιφερειακό νόμιμο δικαίωμα αντιπροσώπων ή εθνικών διανομών και δεν επηρεάζει τα νόμιμα δικαιώματά σας ως καταναλωτού.

Πώς μπορείτε να ζητήσετε επισκευές υπό την παρούσα εγγύηση

Εάν ο εξοπλισμός χρειαστεί επισκευή, παρακαλώ ακολουθείστε την ακόλουθη διαδικασία:

- 1 Εάν ο εξοπλισμός χρησιμοποιείται στη χώρα όπου αγοράστηκε, επικοινωνήστε με τον εξουσιοδοτημένο αντιπρόσωπο της B&W από όπου αγοράσατε τον εξοπλισμό.
- 2 Εάν ο εξοπλισμός χρησιμοποιείται εκτός από τη χώρα αγοράς, θα πρέπει να επικοινωνήσετε με τον εξουσιοδοτημένο αντιπρόσωπο της B&W στη χώρα που κατοικείτε πού θα σας συμβουλευθεί πού μπορείτε να επισκευάσετε τον εξοπλισμό. Μπορείτε να καλέσετε την B&W στην Βρετανία ή να επισκεφθείτε τη σελίδα μας στο [Internet](#) για να βρείτε πληροφορίες ως προς την διεύθυνση του τοπικού σας αντιπροσώπου.

Για να ισχύσει η εγγύηση αυτή, θα πρέπει να έχετε μαζί σας το παρόν εγχειρίδιο εγγύησης συμπληρωμένο και σφραγισμένο από τον αντιπρόσωπό σας την ημέρα της αγοράς. Εναλλακτικά, θα χρειαστείτε να δείξετε την πρωτότυπη απόδειξη ή τιμολόγιο ή άλλη απόδειξη ιδιοκτησίας και ημερομηνίας αγοράς.

Οδηγίες Χρήσεως

ΣΗΜΑΝΤΙΚΕΣ ΟΔΗΓΙΕΣ ΓΙΑ ΤΗΝ ΑΣΦΑΛΗ ΧΡΗΣΗ ΤΗΣ ΣΥΣΚΕΥΗΣ



ΠΡΟΣΟΧΗ
ΚΙΝΔΥΝΟΣ ΗΛΕΚΤΡΟΠΛΗΞΙΑΣ
ΜΗΝ ΑΝΟΙΓΕΤΕ ΤΗ ΣΥΣΚΕΥΗ



Προσοχή:

Για να ελαχιστοποιήσετε το ενδεχόμενο ηλεκτροπληξίας μην αφαιρέσετε την πίσω πλευρά της συσκευής. Δεν υπάρχουν στο εσωτερικό μέρη που μπορούν να επισκευαστούν από το χρήστη. Οποιαδήποτε επισκευή θα πρέπει να γίνει από το τμήμα service της αντιπροσωπείας της B&W.

Επεξήγηση συμβόλων:



Το τρίγωνο με το τετθλασμένο βέλος σημαίνει την ύπαρξη στο εσωτερικό της συσκευής σημείων με υψηλή τάση ρεύματος των οποίων η μόνωση δεν είναι δυνατή και τα οποία μπορούν να προκαλέσουν ηλεκτροπληξία.



Το τρίγωνο με το θαυμαστικό εφιστά την προσοχή του χρήστη σχετικά με την ύπαρξη σημαντικών οδηγιών χρήσης και συντήρησης, στις οποίες θα πρέπει να ανατρέξει.

ΟΔΗΓΙΕΣ ΓΙΑ ΤΗΝ ΑΣΦΑΛΕΙΑ ΣΑΣ:

- 1 Διαβάστε τις οδηγίες – Διαβάστε προσεκτικά όλες τις οδηγίες ασφαλείας και χρήσης πριν θέσετε τη συσκευή σε λειτουργία για πρώτη φορά.
- 2 Φυλάξτε τις οδηγίες – Κρατήστε το φυλλάδιο με τις οδηγίες για ενδεχόμενη μελλοντική χρήση.
- 3 Οδηγίες για επίδειξη προσοχής – Λαμβάνετε πάντα υπόψη τις οδηγίες για επίδειξη προσοχής που αναγράφονται επάνω στη συσκευή ή στο φυλλάδιο με τις οδηγίες χρήσης.
- 4 Ακολουθήστε τις οδηγίες – Ακολουθήστε προσεκτικά όλες τις οδηγίες χρήσης και λειτουργίας.
- 5 Παροχή ρεύματος – Η συσκευή αυτή θα πρέπει να τροφοδοτείται αποκλειστικά με ηλεκτρικό ρεύμα των προδιαγραφών που αναφέρονται στην ειδική ετικέτα που υπάρχει στην πίσω πλευρά της. Αν δεν είστε βέβαιοι για τα χαρακτηριστικά ρεύματος της παροχής του σπιτιού σας (για την Ελλάδα θα πρέπει να είναι 230V, 50Hz), απευθυνθείτε στην αντιπροσωπεία της συσκευής ή στην τεχνική υπηρεσία της ΔΕΗ.
- 6 Γείωση – Η συσκευή δεν χρειάζεται γείωση. Βεβαιωθείτε ότι το φως του καλωδίου τροφοδοσίας έχει συνδεθεί καλά στην πρίζα ώστε να μην είναι εκτεθειμένοι οι ακροδέκτες. Αν χρησιμοποιήσετε προέκταση (μπαλαντέα) ή άλλο καλώδιο ρεύματος από αυτό που παρέχεται με τη συσκευή, θα πρέπει η προέκταση ή το καλώδιο να είναι κατάλληλα για τις προδιαγραφές της συσκευής, να είναι υψηλής ποιότητας και να είναι εγκεκριμένα για χρήση βάσει των προδιαγραφών ασφαλείας της χώρας στην οποία χρησιμοποιούνται.
- 7 Προστασία του καλωδίου τροφοδοσίας ρεύματος – Το καλώδιο τροφοδοσίας θα πρέπει να τοποθετείται έτσι ώστε να μην συμπιέζεται να πατηθεί, να

παρασυρθεί ή να κοπεί από αντικείμενα που θα τοποθετηθούν επάνω του. Φροντίστε επίσης να μην τοακίξει σε κανένα σημείο του. Δώστε ιδιαίτερη προσοχή στο σημείο σύνδεσης του φως με την πρίζα (ή την προέκταση ή το πολύπριζο) και στο σημείο σύνδεσης του καλωδίου με τη συσκευή.

- 8 Υπερφόρτωση – Μην υπερφορτώνετε τις πρίζες, τις προεκτάσεις ή τα πολύπριζα, συνδέοντας σε αυτά πολλές συσκευές (ιδίως αν αυτές απαιτούν μεγάλη ποσότητα ρεύματος), γιατί υπάρχει κίνδυνος πυρκαγιάς ή ηλεκτροπληξίας.
- 9 Εξαερισμός – Η πίσω πλευρά της συσκευής και συγκεκριμένα ο ενισχυτής, αποτελεί τμήμα του συστήματος ψύξης του ηχείου και δεν θα πρέπει να καλύπτεται από την τοποθετηθή του επάνω σε επιφανείες όπως κρεβάτια, καναπέδες, χαλιά με χοντρή πλέξη κ.λπ. Επίσης, δεν θα πρέπει να τοποθετείτε τη συσκευή σε κλειστές βιβλιοθήκες ή ντουλάπια που δεν έχουν επαρκή εξαερισμό, ενώ οι ψηκτρές θα πρέπει να είναι κάθαρτες.
- 10 Θερμότητα – Η συσκευή θα πρέπει να τοποθετείται μακριά από πηγές θερμότητας όπως θερμάστρες, καλοριφέρ, κλιματιστικά ή άλλες συσκευές που εκπέμπουν θερμότητα (π.χ. ενισχυτές).
- 11 Στήριξη στον τοίχο ή στην οροφή – Για να αναρτήσετε τη συσκευή σε βάσεις τοίχου ή οροφής, ακολουθήστε πιστά τις οδηγίες του κατασκευαστή.
- 12 Νερό και υγρασία – Η συσκευή δεν θα πρέπει να τοποθετείται και να λειτουργεί κοντά σε νερό (π. χ. κοντά σε νεροχύτες, μπανιέρες, πισίνες, σε υγρά υπόγεια κ.λπ.).
- 13 Εισχώριση αντικειμένων και υγρών – Φροντίστε ώστε να μην εισχωρήσει στο εσωτερικό της συσκευής οποιοδήποτε αντικείμενο, γιατί μπορεί να έρθει σε επαφή με εξαρτήματα που έχουν υψηλή τάση ρεύματος ή να προκαλέσει βραχυκύκλωμα που θα μπορούσε να οδηγήσει σε φωτιά ή ηλεκτροπληξία. Για τους ίδιους λόγους, δεν θα πρέπει σε καμία περίπτωση να ρίξετε οποιοδήποτε υγρό επάνω ή μέσα στη συσκευή. Μην τοποθετείται οποιοδήποτε αντικείμενο το οποίο περιέχει υγρό στο άνω μέρος του προϊόντος.
- 14 Καθαρισμός – Πριν καθαρίζετε τη συσκευή βγάλετε την από την πρίζα. Για τον τρόπο καθαρισμού διαβάστε την παράγραφο "Φροντίδα του ηχείου".
- 15 Σύνδεση άλλων συσκευών – Μην συνδέσετε άλλες συσκευές στο ηχείο παρά μόνο αν είναι εγκεκριμένες από τον κατασκευαστή.

16 Ράφια και βάσεις – Μην τοποθετείτε τη συσκευή σε καταθείς βάσεις, ράφια, τριπόδα κ.λπ. γιατί μπορεί να πέσει και να πάθει ζημιά ή/και να προκαλέσει τραυματισμό. Η συσκευή θα πρέπει να τοποθετείται μόνο σε βάσεις που εγκρίνονται από τον κατασκευαστή ή/και παρέχονται μαζί με το προϊόν. Αν θέλετε να αναρτήσετε το ηχείο στον τοίχο θα πρέπει να ακολουθήσετε τις οδηγίες του κατασκευαστή και να χρησιμοποιήσετε το σύστημα ανάρτησης που προτείνει.

17 Μετακίνηση της συσκευής – Αν πρέπει να μετακινήσετε τη συσκευή με ένα χειροκίνητο τροχήλατο μέσο (π.χ. καρότι εμπροσρευμάτων), κάντε το με προσοχή. Απότομα σταματήματα, δυνατό σπρώξιμο και ανώμαλες επιφάνειες μπορούν να γίνουν αιτία ανατροπής της συσκευής. Βεβαιωθείτε ότι κάτω από το χαλί δεν υπάρχουν καλώδια που θα μπορούσαν να πάθουν ζημιά από τις ακίδες στήριξης του ηχείου. Μην μετακινείτε το ηχείο σπώνχοντάς το επάνω στις ακίδες γιατί μπορεί να σπάσουν και να προκαλέσουν ζημιά. Όταν μετακινείτε το ηχείο προσέξτε να μην τραυματιστείτε από τις ακίδες.

18 Διακοπή της χρήσης – Βγάλτε τη συσκευή από την πρίζα εάν δεν σκοπεύετε να τη χρησιμοποιήσετε για μεγάλο χρονικό διάστημα.

19 Συντήρηση – Μην προσπαθήσετε να κάνετε οποιαδήποτε εργασία επισκευής ή συντήρησης γιατί αν ανοίξετε τη συσκευή ή αφαιρέσετε το κάλυμμα της θα εκτεθείτε σε υψηλή τάση ρεύματος και υπάρχει σοβαρός κίνδυνος ηλεκτροπληξίας. Οποιαδήποτε διαδικασία συντήρησης ή επισκευής θα πρέπει να ανατίθεται στο τμήμα τεχνικής υποστήριξης της αντιπροσωπείας της B&W.

20 Ζημιά που απαιτεί επισκευή – Στις ακόλουθες περιπτώσεις θα πρέπει να βγάλετε αμέσως τη συσκευή από την πρίζα και να την δώσετε για επισκευή:

α Εάν υποστεί ζημιά το καλώδιο τροφοδοσίας ή το φις.

β Εάν εισχωρήσουν στο εσωτερικό της συσκευής αντικείμενα ή υγρά.

γ Εάν η συσκευή εκτεθεί σε βροχή.

δ Εάν η συσκευή δεν φαίνεται να λειτουργεί κανονικά σύμφωνα με τις οδηγίες του κατασκευαστή. Σημειώστε ότι θα πρέπει να χρησιμοποιείτε μόνο τα πλήκτρα λειτουργίας που αναφέρονται στις οδηγίες χρήσης, και με τον τρόπο που περιγράφεται. Αν κάνετε οποιαδήποτε ρύθμιση που δεν αναφέρεται στις οδηγίες υπάρχει σοβαρό ενδεχόμενο να

προκληθεί ζημιά, η οποία για να αποκατασταθεί ίσως χρειαστεί αρκετό χρόνο εργασίας από έναν ειδικευμένο τεχνικό.

ε Εάν η συσκευή πέσει κάτω ή υποστεί οποιαδήποτε ζημιά.

στ Εάν παρατηρήσετε αξιοσημείωτη αλλαγή στην απόδοσή της.

21 Ανταλλακτικά – Αν χρειαστεί να αντικατασταθεί κάποιο εξάρτημα της συσκευής, βεβαιωθείτε ότι ο τεχνικός που θα κάνει την αντικατάσταση θα χρησιμοποιήσει ανταλλακτικά που εγκρίνονται από τον κατασκευαστή ή που έχουν τις ίδιες ακριβείς προδιαγραφές με το αρχικό εξάρτημα. Η χρήση μη εγκεκριμένων ή μη ελεγμένων ανταλλακτικών, ή ανταλλακτικών που δεν είναι κατάλληλα για τη συγκεκριμένη συσκευή μπορεί να προκαλέσει ζημιά, φωτιά ή ηλεκτροπληξία.

22 Ασφάλειες – Οι ασφάλειες βρίσκονται μέσα στον ενισχυτή και ενδεχόμενη αντικατάστασή τους θα πρέπει να γίνει από το τεχνικό τμήμα της αντιπροσωπείας της B&W.

23 Δοκιμές ασφαλείας – Μετά από οποιαδήποτε εργασία συντήρησης ή επισκευής θα πρέπει να ζητήσετε από τον τεχνικό που την εκτέλεσε να κάνει τις απαραίτητες δοκιμές ασφαλούς λειτουργίας της συσκευής.

24 Μαγνητικά πεδία – Το προϊόν αυτό παράγει ένα ελεύθερο μαγνητικό πεδίο και για το λόγο αυτό δεν θα πρέπει να τοποθετείται κοντά σε συσκευές ή αντικείμενα που μπορεί να επηρεαστούν από το πεδίο αυτό, όπως συσκευές που χρησιμοποιούν καθοδικές λυχνίες (π.χ. τηλεοράσεις ή οθόνες ηλεκτρονικών υπολογιστών), μαγνητικά μέσα εγγραφής (π.χ. κασέτες ή δισκέτες), κάρτες με μαγνητική ταινία (π.χ. πιστωτικές κάρτες) κ.λπ. Η ελάχιστη ασφαλής απόσταση του ηχείου από τέτοια αντικείμενα είναι μισό μέτρο. Αν η απόσταση αυτή είναι μικρότερη μπορεί να προκληθεί παρεμόρφωση στην εικόνα της τηλεόρασης, να διαγραφεί το περιεχόμενο μίας κασέτας ή μίας δισκέτας κ.λπ.

Εισαγωγή

Σας ευχαριστούμε που αγοράσατε αυτό το ενεργό subwoofer της B&W.

Από την ίδρυσή της το 1966, φιλοσοφία της B&W παραμένει η αναζήτηση του τέλειου ήχου. Εμπνευσμένη από τον ιδρυτή της εταιρείας, τον John Bowers, η αναζήτηση αυτή μας έχει οδηγήσει στο να κάνουμε σημαντικές επενδύσεις στην έρευνα και στην ανάπτυξη νέων τεχνολογιών. Και επειδή γνωρίζουμε ότι η τεχνολογία από μόνη της δεν αρκεί, ένα μεγάλο μέρος της προσπάθειάς μας

επικεντρώνεται στην βαθιά κατανόηση της μουσικής αλλά και του τρόπου που λειτουργεί το ηχητικό πλαίσιο των κινηματογραφικών ταινιών, έτσι ώστε να εξασφαλίσουμε ότι η τεχνολογία που αναπτύσσουμε θα έχει την καλύτερη δυνατή εφαρμογή.

Το subwoofer αυτό έχει σχεδιαστεί για συστήματα οικιακού κινηματογράφου αλλά και για να ενισχύσει την απόδοση των χαμηλών συχνότητων σε απλά στερεοφωνικά συγκροτήματα που χρησιμοποιούν ηχεία πλήρους εύρους συχνότητας. Προσθέτοντας ένα subwoofer στο σύστημά σας, δεν αυξάνετε μόνο τη δυνατότητα του συστήματος να αναπαράγει τις χαμηλές συχνότητες, αλλά βελτιώνετε και τη διαύγεια των μεσίων συχνότητων, αποδεδειγμένα τα ηχεία σας από την απαίτηση να αποδώσουν τις πολύ χαμηλές συχνότητες.

Παρακαλούμε, πριν εγκαταστήσετε και θέσετε σε λειτουργία το subwoofer, διαβάστε προσεκτικά τις οδηγίες χρήσης. Όλες οι ηχητικές εγκαταστάσεις απαιτούν κάποιο σχεδιασμό και κάποιες δοκιμές προκειμένου να έχετε την καλύτερη δυνατή απόδοση από το σύστημά σας. Το φυλλάδιο αυτό θα σας χρησιμεύσει ως οδηγός στη διαδικασία αυτή.

Το subwoofer συνδέεται με την παροχή ρεύματος και άρα υπάρχει υψηλή τάση στο εσωτερικό του. Για το λόγο αυτό είναι πολύ σημαντικό να προσέξετε όλες τις οδηγίες που σχετίζονται με την ασφάλειά σας και να λάβετε τις αναγκαίες προφυλάξεις.

Κρατήστε το φυλλάδιο με τις οδηγίες για ενδεχόμενη μελλοντική χρήση.

Τα ηχεία της B&W πωλούνται σε περισσότερες από 60 χώρες και η εταιρεία έχει ένα δίκτυο προσεκτικά επιλεγμένων αποκλειστικών αντιπροσώπων, οι οποίοι θα είναι πρόθυμοι να σας βοηθήσουν σε περίπτωση που συναντήσετε οποιοδήποτε πρόβλημα που δεν μπορεί να λυθεί στο κατάστημα από όπου αγοράσατε το ηχείο.

Αποσυσκευασία (Εικόνα 1)

Ο πιο εύκολος τρόπος να αποσυσκευάσετε το ηχείο αποφεύγοντας οποιαδήποτε ζημιά είναι ο εξής:

- Ανοίξτε τελείως τα επάνω φύλλα του χαρτοκιβωτίου και γυρίστε το ανάποδα με προσοχή.
- Σηκώστε το χαρτοκιβώτιο και αφαιρέστε το, αφήνοντας το περιεχόμενο κάτω.

Καλό είναι να κρατήσετε τη συσκευασία γιατί μπορεί να σας χρειαστεί στο μέλλον.

Στη συσκευασία, εκτός από τις οδηγίες χρήσης περιλαμβάνονται:

1 subwoofer

4 βιδωτά λαστιχένια πέλματα

4 βιδωτές ακίδες στήριξης με ιαθρίβα παξιμάδια ασφαλισής

1 έντυπο με τους όρους της διεθνούς εγγύησης της συσκευής

Περιγραφή του subwoofer

(Εικόνα 2)

- 1 Ψήκτρα
- 2 Υποδοχές σύνδεσης επιπέδου ηχείων (Speaker level)
- 3 Υποδοχές σύνδεσης επιπέδου Line (Line level)
- 4 Διακόπτης Ισοστάθμισης (EQ)
- 5 Ρυθμιστικό συχνότητας φίλτρου LOW-PASS
- 6 Διακόπτης PHASE
- 7 Διακόπτης απενεργοποίησης φίλτρου LOW-PASS
- 8 Διακόπτης επιλογής τρόπου ενεργοποίησης (MODE On/Auto)
- 9 Φωτεινή ένδειξη λειτουργίας / αναμονής λειτουργίας
- 10 Ρυθμιστικό έντασης (VOLUME)
- 11 Καλώδιο ρεύματος
- 12 Διακόπτης λειτουργίας

Χρήση του subwoofer

Εφαρμογή: Συστήματα οικιακού κινηματογράφου

Η βασική λειτουργία του subwoofer σε ένα σύστημα οικιακού κινηματογράφου είναι να αναπαράγει το σήμα του καναλιού LFE (Low Frequency Effects channel – κανάλι απόδοσης χαμηλών συχνοτήτων και ηχητικών φερέ). Επιπλέον, ο επεξεργαστής surround μπορεί να ρυθμιστεί έτσι ώστε να στέλνει τις χαμηλές συχνότητες κάποιων ή όλων των άλλων καναλιών στο κανάλι LFE, έτσι ώστε οι συχνότητες αυτές να αποδίδονται από το subwoofer (αυτό γίνεται κατά την αρχική ρύθμιση του επεξεργαστή, χαρακτηρίζοντας τα άλλα ηχεία του συστήματος “μικρά”, - βλ. και τις οδηγίες χρήσης του επεξεργαστή).

Εφαρμογή: Στερεοφωνικά συγκροτήματα

Σε ένα στερεοφωνικό σύστημα, το subwoofer χρησιμοποιείται για να επεκτείνει τις χαμηλές συχνότητες (μπάσα) σε μεγαλύτερο εύρος από αυτό που είναι ικανά να αποδώσουν τα κανονικά ηχεία του συστήματος (σε ένα σύστημα που περιλαμβάνει και subwoofer, τα κανονικά ηχεία ονομάζονται “δουρυφόροι”).

Στις περισσότερες περιπτώσεις, τα καλύτερα αποτελέσματα επιτυγχάνονται διατηρώντας το πλήρες εύρος συχνοτήτων των δουρυφόρων, οδηγώντας τα όπως συνήθως από τον τελικό ενισχυτή. Έτσι, το φίλτρο low-pass του subwoofer ρυθμίζεται με τέτοιο τρόπο ώστε το σήμα που δέχεται να είναι το ίδιο με αυτό που δέχονται οι δουρυφόροι.

Αν όμως οι δουρυφόροι είναι μικρά ηχεία που δεν έχουν την ικανότητα να διαχειρίζονται με άνεση τις χαμηλές συχνότητες, μπορείτε να περιορίσετε

το σήμα που δέχονται, ρυθμίζοντας κατάλληλα τα φίλτρα high-pass του subwoofer και οδηγώντας σε αυτό ένα τμήμα των χαμηλών συχνοτήτων.

Τοποθέτηση

Για το λόγο ότι το subwoofer αναπαράγει μόνο χαμηλές συχνότητες (μπάσα), το σημείο που θα τοποθετηθεί δεν έχει τόσο μεγάλη σημασία, όσο για τα κανονικά ηχεία. Η κατεύθυνση προς την οποία θα πρέπει να είναι στραμμένο δεν είναι τόσο συγκεκριμένη, και οι επιλογές που έχετε είναι πολύ περισσότερες. Γενικά πάντως, το καλύτερο ηχητικό αποτέλεσμα επιτυγχάνεται τοποθετώντας το subwoofer μεταξύ των ηχείων-δουρυφόρων ή κοντά σε ένα από αυτά. Εάν χρησιμοποιείτε δύο subwoofers, το καλύτερο είναι να τοποθετηθείτε από ένα κοντά σε κάθε δουρυφόρο.

Η τοποθέτηση του subwoofer πίσω από τους ακροατές δίνει γενικά καλύτερη ηχητική εικόνα – ακόμη και σε συστήματα surround. Πάντως, εάν η διάταξη του χώρου επιβάλλει κάτι τέτοιο, η θέση αυτή είναι αποδεκτή.

Όπως συμβαίνει και με όλα τα ηχεία, η απόδοση του subwoofer επηρεάζεται από το πόσο κοντά του είναι τα όρια του χώρου ακρόασης. Γενικά, οι χαμηλές συχνότητες (μπάσα) εντείνονται εάν υπάρχουν πολλές επιφάνειες κοντά στο ηχείο. Όμως, αντίθετα με ό,τι συμβαίνει με τα κανονικά ηχεία, μπορείτε ανά πάσα στιγμή να διορθώσετε την τονική ισορροπία (balance) του συστήματος, ρυθμίζοντας απλά την ένταση του subwoofer. Όσο περισσότερο τονίζονται οι χαμηλές λόγω της διάταξης του χώρου, τόσο μικρότερη “προσπάθεια” πρέπει να καταβάλλει το ηχείο. Υπάρχει όμως και ένα μειονέκτημα: οι γωνιακές θέσεις εντείνουν περισσότερο τις χαμηλές αντηχήσεις του χώρου, με αποτέλεσμα οι χαμηλές συχνότητες να αποδίδονται άνισα σε σχέση με τις υπόλοιπες συχνότητες. Για το λόγο αυτό και επειδή κάθε χώρος έχει διαφορετική ηχητική συμπεριφορά, ο καλύτερος τρόπος για να επιτύχετε το βέλτιστο αποτέλεσμα είναι να δοκιμάσετε διάφορα σημεία τοποθέτησης του ηχείου πριν επιλέξετε την τελική του θέση. Καλό θα ήταν, όταν κάνετε τις δοκιμές να βάλετε να ακούγεται ένα μουσικό κομμάτι τα μπάσα του οποίου να κινούνται σε όλο το εύρος της περιοχής των χαμηλών συχνοτήτων, ούτως ώστε να μπορέσετε να εκτιμήσετε πλήρως το πόσο ομαλή είναι η απόκριση των χαμηλών. Ακούστε προσεκτικά τις έντονες και τις σιγανές νότες. Η ύπαρξη ενός ξεχωριστού subwoofer σας δίνει τη δυνατότητα να ελέγξετε καλύτερα τις αντηχήσεις του χώρου.

Εάν τοποθετήσετε το subwoofer σε κάποιο κλειστό χώρο (π.χ. σε κάποιο ράφι ή ειδικό έπιπλο), θα πρέπει να φροντίσετε ώστε ο χώρος αυτός να επιτρέπει την επαρκή κυκλοφορία του

αέρα για να ψύχεται το ηχείο. Για λεπτομέρειες απευθυνθείτε στο κατάστημα που αγοράσατε το subwoofer ή στην αντιπροσωπεία της B&W.

Στη συσκευασία θα βρείτε τέσσερις ακίδες στήριξης. Οι ακίδες περνούν στο εσωτερικό της πλέξης του χαλιού (χωρίς να το διαπερνούν) και στηρίζουν καλά το ηχείο, κατ’ ευθείαν στην επιφάνεια του πατώματος.

Αν τοποθετήσετε το ηχείο σε μία ευαίσθητη επιφάνεια, όπως ένα ξύλινο πάτωμα, μπορείτε να τοποθετήσετε ένα προστατευτικό δίσκο κάτω από κάθε ακίδα ή να τοποθετήσετε τα τέσσερα λαστιχένια πέλαμα αντί για τις ακίδες.

Πριν τοποθετήσετε τις ακίδες ή τα λαστιχένια πέλαμα, βιδώστε πλήρως σε αυτές τα παξιμαδία ασφαλείας και κατόπιν βιδώστε πλήρως τις ακίδες στις υποδοχές που υπάρχουν στη βάση της καμπίνας. Εάν το πάτωμα παρουσιάζει κάποια ανωμαλία και το ηχείο δεν είναι σταθερό, ξεβιδώστε τις ακίδες των δύο διαγώνιων ποδιών που δεν εφάπτονται καλά, τόσο ώστε να σταθεροποιηθεί το ηχείο, και μετά βιδώστε πάλι τα παξιμαδία στις υποδοχές.

Συνδέσεις

Για να αποκλείσετε το ενδεχόμενο να προκληθεί ζημιά, βγάλτε όλες τις συσκευές του συστήματος από την πρίζα και μην τις βάλετε πάλι πριν ολοκληρώσετε και ελέγξετε τις υπόλοιπες συνδέσεις.

Το subwoofer διαχειρίζεται όλα τα σήματα εισόδου και εξόδου επιπέδου line (μέσω των υποδοχών τύπου RCA) και επιπέδου ηχείων (speaker level – μέσω των ακροδεκτών που υπάρχουν στη πίσω πλευρά του).

Χρησιμοποιήστε τον παρακάτω πίνακα για να επιλέξετε το σωστό τρόπο σύνδεσης για το σύστημά σας:

Εφαρμογή: Συστήματα οικιακού κινηματογράφου

Αποκωδικοποιητής με ξεχωριστούς τελικούς ενισχυτές που οδηγούν ένα ή περισσότερα subwoofers – Εικόνα 3

Αποκωδικοποιητής με ολοκληρωμένους ενισχυτές που οδηγούν ένα ή περισσότερα subwoofers:
– με έξοδο subwoofer επιπέδου line – Εικόνα 4
– με έξοδο subwoofer επιπέδου ηχείων – Εικόνα 5

Εφαρμογή: Στερεοφωνικά συγκροτήματα

Ξεχωριστός προενισχυτής – τελικός:

– Πλήρες εύρος συχνοτήτων στα ηχεία-δουρυφόρους και:
– ένα subwoofer – Εικόνα 6
– δύο subwoofers – Εικόνα 7
– Φίλτρο high-pass στα ηχεία-δουρυφόρους και:
– ένα subwoofer – Εικόνα 8
– δύο subwoofers – Εικόνα 9

Ολοκληρωμένους ενισχυτές:

– Πλήρες εύρος συχνότητας στα ηχεία-δουρυφόρους και:

- ένα subwoofer – Εικόνα 10
 - δύο subwoofers – Εικόνα 11
- Φίλτρο high-pass στα ηχεία-δουρυφόρους και:
- ένα subwoofer – Εικόνα 12
 - δύο subwoofers – Εικόνα 13

Χρήση περισσότερων από ένα subwoofers:

Η χρήση περισσότερων από ένα subwoofers μπορεί να βελτιώσει την απόδοση του συστήματός σας ως εξής:

- Διατηρώντας το στερεοφωνικό διαχωρισμό στις πολύ χαμηλές συχνότητες.
- Επιτυγχάνοντας καλύτερη απόδοση σε μεγαλύτερους χώρους.
- Αυξάνοντας το μέγιστο επίπεδο έντασης, γεγονός που βοηθά στην βελτιστοποίηση της απόδοσης των ειδικών εφέ σε συστήματα οικιακού κινηματογράφου.
- Ελέγχοντας καλύτερα και περιορίζοντας τις χαμηλές αντηχήσεις του χώρου.

Χρησιμοποιώντας δύο subwoofers στο στερεοφωνικό σας συγκρότημα, δηλαδή συνδένοντας ένα subwoofer σε κάθε κανάλι, βελτιώνεται σημαντικά ο στερεοφωνικός διαχωρισμός (με την προϋπόθεση ότι θα είναι τοποθετημένο κοντά σε κάθε ένα από τα ηχεία δουρυφόρους). Αν δεν γίνεται να τοποθετήσετε κάθε ένα από τα δύο subwoofers κοντά σε ένα δουρυφόρο, χρησιμοποιήστε τον τρόπο σύνδεσης της Εικόνας 8.

Έλεγχος των συνδέσεων

ΒΕΒΑΙΩΘΕΙΤΕ ΟΤΙ Η ΤΑΣΗ ΛΕΙΤΟΥΡΓΙΑΣ ΠΟΥ ΣΗΜΕΙΩΝΕΤΑΙ ΕΠΑΝΩ ΣΤΟΝ ΕΝΙΣΧΥΤΗ ΤΟΥ SUBWOOFER ΕΙΝΑΙ ΙΔΙΑ ΜΕ ΑΥΤΗ ΤΗΣ ΠΑΡΟΧΗΣ ΡΕΥΜΑΤΟΣ ΤΟΥ ΣΠΙΤΙΟΥ ΣΑΣ.

Πριν ακούσετε την ηχητική απόδοση του συστήματός σας και πριν κάνετε τις τελικές ρυθμίσεις, ελέγξτε πάλι τις συνδέσεις. Συμβαίνει πολύ συχνά, να εκφράζονται παράπονα από τους χρήστες ότι δεν μπορούν να επιτύχουν καλό ήχο όσο και αν προσπαθήσουν, για να αποδειχτεί τελικά ότι είχαν κάνει κάποιο λάθος στις συνδέσεις. Έτσι, θα πρέπει να βεβαιωθείτε:

- Ότι έχετε κάνει τις συνδέσεις διατηρώντας τη σωστή πολικότητα ότι δηλαδή, δεν έχει συνδεθεί κάποιος θετικός με κάποιο αρνητικό πόλο στα ηχεία-δουρυφόρους. Εάν κάτι είναι εκτός φάσης, ο ήχος μπορεί να είναι παραμορφωμένος ασαφής και τα μάτια ελλιπή.
- Ότι έχετε συνδέσει σωστά τα κανάλια [το δεξί (Right – R) στο δεξί και το αριστερό (Left – L) στο αριστερό]. Ένα τέτοιο λάθος στη σύνδεση μπορεί να έχει σαν

αποτέλεσμα, τα όργανα της ορχήστρας να ακούγονται σαν να ήταν τοποθετημένα ανάποδα ή ακόμη χειρότερα, η “κατεύθυνση” του ήχου σε ένα σύστημα οικιακού κινηματογράφου να είναι αντίθετη από τη δράση στην οθόνη.

Ενεργοποίηση/απενεργοποίηση του ηχείου

Καλό είναι, το subwoofer να τίθεται σε λειτουργία πριν από τον ενισχυτή σας και αντίστοιχα να απενεργοποιείται τελευταία.

Ο διακόπτης MODE On/Auto (8) λειτουργεί ως εξής:

On:

Σε αυτή τη θέση, ο ενισχυτής παραμένει διαρκώς σε λειτουργία και η φωτεινή ένδειξη (9) ανάβει με πράσινο χρώμα.

Auto:

Την πρώτη φορά που θα βάλετε το διακόπτη στη θέση Auto, ο ενισχυτής του subwoofer θα τεθεί σε πλήρη λειτουργία και η φωτεινή ένδειξη (9) με πράσινο χρώμα. Αν περάσουν 5 λεπτά χωρίς η συσκευή να δεχτεί κάποιο σήμα, ο ενισχυτής θα τεθεί αυτόματα σε αναμονή λειτουργίας, και η φωτεινή ένδειξη θα γίνει κόκκινη. Μόλις εντοπιστεί σήμα, ο ενισχυτής θα τεθεί αυτόματα σε λειτουργία, και η ένδειξη θα γίνει πάλι πράσινη.

Χρήση των ρυθμιστικών πλήκτρων του subwoofer

Το subwoofer έχει 5 ρυθμιστικά:

- Το ρυθμιστικό της έντασης (VOLUME) (10)
- Το ρυθμιστικό της συχνότητας του φίλτρου low-pass (LOW-PASS FREQUENCY) (5)
- Ο διακόπτης του φίλτρου low-pass (LOW-PASS FILTER) (7)
- Ο διακόπτης PHASE (6)
- Ο διακόπτης ισοστάθμισης (EQ) (4)

Οι ιδανικές ρυθμίσεις εξαρτώνται από τον υπόλοιπο εξοπλισμό που χρησιμοποιείτε. Αν χρησιμοποιείτε δύο subwoofers, οι ρυθμίσεις θα πρέπει να είναι ίδιες και στα δύο.

Συστήματα οικιακού κινηματογράφου

Το subwoofer δεν είναι εγκεκριμένο για χρήση με το σύστημα THX®, αλλά αν θέλετε μπορείτε να το χρησιμοποιήσετε με έναν αποκωδικοποιητή THX®.

- Βάλτε το ρυθμιστικό VOLUME αρχικά στη θέση “09:00” ενός ρολογιού.
- Βάλτε το διακόπτη LOW-PASS FILTER στη θέση OUT.
- Αρχικά, βάλτε το διακόπτη EQ στη θέση A.
- Βάλτε το διακόπτη PHASE αρχικά στη θέση 0°.

- Η θέση του ρυθμιστικού LOW-PASS FREQUENCY δεν έχει σημασία.

Διαβάστε επίσης την ενότητα “Τελικές Ρυθμίσεις”.

Αν έχετε έναν αποκωδικοποιητή THX®, βεβαιωθείτε ότι η λειτουργία του subwoofer είναι ενεργοποιημένη. Αν ισχύει αυτό, θα είναι ενεργοποιημένα και όλα τα φίλτρα και οι ρυθμίσεις στάθμης που απαιτούνται για το subwoofer, σε όλους τους τύπους surround. Για να ρυθμίσετε σωστά το επίπεδο έντασης του subwoofer θα πρέπει να χρησιμοποιήσετε το δοκιμαστικό σήμα του αποκωδικοποιητή και τα ρυθμιστικά της στάθμης των καναλιών.

Σε κάθε περίπτωση θα πρέπει όλες οι στάθμες να δίνουν επίπεδο ηχητικής πίεσης (SPL) 75dB (C-weighted) στη θέση ακρόασης, το οποίο θα καθοριστεί με τη βοήθεια του δοκιμαστικού σήματος του αποκωδικοποιητή.

Αν ο αποκωδικοποιητής σας δεν διαθέτει σύστημα THX®, θα πρέπει πριν ρυθμίσετε τις στάθμες να ορίσετε τα εμπρόσθια και τα πίσω ηχεία σας ως “μεγάλα” ή “μικρά”, ανάλογα με την κανονία τους να αποδίδουν τις χαμηλές συχνότητες. Χρησιμοποιήστε το δοκιμαστικό σήμα και τα ρυθμιστικά έντασης του αποκωδικοποιητή για να ρυθμίσετε τις στάθμες όλων των ηχείων. Αλλάξτε τη θέση του ρυθμιστικού έντασης (VOLUME) του subwoofer μόνο αν το αντίστοιχο ρυθμιστικό του αποκωδικοποιητή δεν έχει το απαιτούμενο εύρος για τη στάθμη που θέλετε.

Για να μετρήσετε τα επίπεδα ηχητικής πίεσης (SPL) μπορείτε να χρησιμοποιήσετε κάποιο από τους φθηνούς σχετικά μετρητές που διατίθενται στα καταστήματα ηλεκτρονικών.

Για περισσότερες λεπτομέρειες σχετικά με τον τρόπο που θα ρυθμίσετε τις στάθμες μεταξύ των ηχείων διαβάστε τις οδηγίες χρήσης του αποκωδικοποιητή.

Στερεοφωνικά συγκροτήματα

- Βάλτε το ρυθμιστικό VOLUME αρχικά στη θέση “09:00” ενός ρολογιού.
- Βάλτε το διακόπτη LOW-PASS στη θέση IN.
- Βάλτε το διακόπτη EQ αρχικά στη θέση A.
- Βάλτε το διακόπτη PHASE αρχικά στη θέση 180°.

Αν θέλετε τα ηχεία-δουρυφόροι να δέχονται το πλήρες εύρος συχνότητας (βλ. Εικόνες 6, 7, 10, 11).

- Βάλτε το ρυθμιστικό LOW-PASS FILTER FREQUENCY στη θέση -6dB.

Τα ηχεία της B&W μπορούν να δεχτούν και τις δύο τιμές (-3dB και -6dB). Αν όμως έχετε ηχεία-δουρυφόρους άλλου

κατασκευαστή ο οποίος συνιστά μόνο την τιμή -3dB, η ιδανική ρύθμιση της συχνότητας του φίλτρου low-pass είναι μεταξύ 0,6 και 0,9 φορές η συχνότητα -3dB, ανάλογα με την ευθυγράμμιση "roll-off". Όσο πιο ήπιος είναι ο ρυθμός του roll-off των δορυφόρων, τόσο χαμηλότερη πρέπει να είναι η συχνότητα (για περισσότερες λεπτομέρειες σχετικά με τη συγκεκριμένη ρύθμιση απευθυνθείτε στην αντιπροσωπεία της B&W).

Αν θέλετε οι χαμηλές συχνότητες να μην πηγαίνουν στα ηχεία-δορυφόρους (Εικόνες 8, 9, 12, 13):

- Ρυθμίστε τη συχνότητα του φίλτρου LOW-PASS στα 80Hz.

Διαβάστε επίσης και την ενότητα "Τελικές ρυθμίσεις".

Τελικές ρυθμίσεις

Συστήματα οικιακού κινηματογράφου

Η περίπτωση των συστημάτων home theatre είναι κάπως διαφορετική από αυτή των απλών στερεοφωνικών συστημάτων. Το κανάλι του subwoofer (LFE – Low Frequency Effects) είναι ξεχωριστό κανάλι και όχι μία προέκταση του σήματος που οδηγείται στα ηχεία. Το φίλτρο LOW-PASS είναι απενεργοποιημένο, γιατί ο αποκωδικοποιητής εφαρμόζει όλα τα φίλτρα που είναι απαραίτητα για τα ηχεία που έχουν οριστεί "μικρά".

Ωστόσο, θα πρέπει και εδώ να ρυθμίσετε τη θέση του διακόπτη PHASE. Κανονικά, η φάση θα πρέπει να ρυθμιστεί στη θέση 0°, αλλά αν η απόσταση του subwoofer από τη θέση ακρόασης είναι διαφορετική από αυτή των άλλων ηχείων, ή αν ο τελικός ενισχυτής που οδηγεί τα άλλα ηχεία αντιστρέφει το σήμα, ίσως η θέση 180° να είναι προτιμότερη. Προσέξτε το συνολικό άκουσμα βάζοντας το διακόπτη και στις δύο θέσεις, και επιλέξτε αυτή που δίνει τον πληρύτερο ήχο. Αν η διαφορά είναι μικρή, επιλέξτε τη θέση 0°.

Συνήθως, οι αποκωδικοποιητές παράγουν ένα δοκιμαστικό ηχητικό σήμα με τη βοήθεια του οποίου μπορείτε να ρυθμίσετε τις στάθμες όλων των ηχείων, κάνοντας έτσι τη διαδικασία ευκολότερη από ότι για ένα στερεοφωνικό συγκρότημα. Ωστόσο, μην διατάσετε να αλλάξετε τις ρυθμίσεις με βάση τις προσωπικές σας προτιμήσεις. Είναι εύκολο να παρασυρθεί κανείς με τις δυνατότητες ενός subwoofer, ειδικά όταν πρόκειται για κάποια ειδικά ηχητικά εφέ χαμηλών συχνοτήτων. Συχνά μία πιο ρεαλιστική και πιθανότατα περισσότερο ικανοποιητική αναπαραγωγή επιτυγχάνεται αν ρυθμίσετε τη στάθμη του subwoofer χαμηλότερα από αυτή των υπόλοιπων ηχείων.

Στερεοφωνικά συγκροτήματα

Η ιδανικές θέσεις του διακόπτη PHASE και του ρυθμιστικού LOW-PASS FREQUENCY είναι αλληλοεξαρτώμενες αλλά έχουν σχέση και με τη δυνατότητα "αποκοπής" (cut-off) των

χαμηλών συχνοτήτων από τα ηχεία-δορυφόρους. Ωστόσο, οι ρυθμίσεις που συνιστώνται πιο πάνω για τη συχνότητα του φίλτρου LOW-PASS και το διακόπτη PHASE έχουν επιλεγεί για να λειτουργούν καλά με τα περισσότερα ηχεία, ανεξάρτητα αν είναι κλειστού ή ανοικτού τύπου (bass reflex), σε συχνότητες -6dB, στα όρια της δυνατότητας ρύθμισης του subwoofer.

Αν τροφοδοτείτε τους δορυφόρους μέσω του φίλτρου high-pass του subwoofer, θα πρέπει να ρυθμίσετε τη συχνότητα κάτω από την αρχική τιμή των 80Hz – όταν η συχνότητα -3dB των δορυφόρων είναι χαμηλότερη από 80Hz – και επάνω από τα 80Hz – όταν η συχνότητα είναι υψηλότερη.

Εγκρατσίστετε το σύστημα σας στις θέσεις που θέλετε και βάλτε να παίζει ένα μουσικό κομμάτι (ή άλλο ηχητικό υλικό) με αρκετές χαμηλές συχνότητες.

Χρησιμοποιώντας ως βάση τις αρχικές ρυθμίσεις που αναφέρονται στην προηγούμενη ενότητα, ελέγξτε πρώτα τη θέση του διακόπτη PHASE. Επιλέξτε τη ρύθμιση που αποδίδει τον πληρύτερο ήχο.

Κανονικά, η συνιστώμενη θέση θα είναι η καλύτερη, ίσως όμως όχι κάτω από κάποιες συνθήκες (π.χ. αν χρησιμοποιείτε συνδέσεις επιπέδου line και ο τελικός ενισχυτής που τροφοδοτεί τα ηχεία-δορυφόρους αντιστρέφει το σήμα, ή αν τα subwoofers δεν είναι τοποθετημένα κοντά στους δορυφόρους).

Στη συνέχεια ρυθμίστε την ένταση του subwoofer σε σχέση με την ένταση των δορυφόρων, ανάλογα με την προτίμησή σας. Για να κάνετε τη ρύθμιση χρησιμοποιήστε διαφορετικό μουσικό ή άλλο υλικό, αφού η ρύθμιση που ακούγεται καλά σε κάποιο κομμάτι μπορεί να είναι υπερβολική για κάποιο άλλο.

Ακούστε τον ήχο σε ρεαλιστή επίπεδα έντασης, αφού η αντίληψή μας για τη σχέση της έντασης μεταξύ των ηχείων διαφέρει ανάλογα με τη συνολική ένταση.

Τέλος, ρυθμίστε τη συχνότητα του φίλτρου LOW-PASS έτσι ώστε να έχετε την ομαλότερη δυνατή μετάβαση συχνοτήτων μεταξύ του subwoofer και των δορυφόρων, που είναι ίσως και η πιο "δύσκολη" διαδικασία βελτιστοποίησης του συστήματός σας.

Για όλες τις εφαρμογές

Ο διακόπτης EQ ρυθμίζει το ρυθμό αποκοπής των χαμηλών συχνοτήτων. Οι χαμηλές αυτές συχνότητες που ακούτε είναι ένας συνδυασμός του ήχου του subwoofer και της επίδρασης που έχει στον ήχο αυτό ο χώρος ακρόασης. Γι' αυτό θα πρέπει να επιλέξετε τη θέση του διακόπτη που ταιριάζει καλύτερα στη διάταξη του χώρου και στο σημείο όπου είναι τοποθετημένο το subwoofer. Η θέση A δίνει πιο "μαλακό" ήχο κατάλληλο για

χώρους ακρόασης με μεγάλη αντήχηση ή για σημεία όπως οι γωνίες, όπου ο ήχος του subwoofer τονίζεται περισσότερο.

Επιλέξτε τη θέση B αν ο χώρος έχει μικρή αντήχηση ή αν δεν έχετε τοποθετήσει το subwoofer κοντά σε γωνία.

Εάν η απόδοση των χαμηλών είναι "άνιση", δηλαδή εάν κάποιες χαμηλές νότες τονίζονται περισσότερο από κάποιες άλλες, είναι πολύ πιθανό αυτό να οφείλεται στην ηχητική συμπεριφορά του χώρου, και θα ήταν καλό να κάνετε κάποιους πειραματισμούς ως προς τη θέση του subwoofer. Ακόμα και μικρές αλλαγές στην τοποθέτηση (της τάξεως π.χ. των 15 εκατοστών), μπορούν να οδηγήσουν σε σημαντική βελτίωση του ήχου. Δοκιμάστε να σηκώσετε το ηχείο ψηλότερα από το πάτωμα ή να το μετακινήσετε στο πλάι. Η χρήση περισσότερων από ένα subwoofers μπορεί να βοηθήσει αισθητά στον έλεγχο των αντηχήσεων του χώρου. Μπορείτε επίσης να μεταβάλλετε τη σχέση μεταξύ της απόστασης subwoofer – ακροατή και δορυφόρων – ακροατή. Αν κάνετε κάτι τέτοιο θα πρέπει να ελέγξετε πάλι τη θέση του διακόπτη PHASE. Ελέγξτε επίσης το επίπεδο έντασης του subwoofer (είτε από το ρυθμιστικό έντασης του αποκωδικοποιητή, είτε το ρυθμιστικό έντασης του ενισχυτή του subwoofer), αλλά μόνο αφού έχετε ρυθμίσει σωστά το διακόπτη PHASE.

Αν χρησιμοποιείτε περισσότερα από ένα subwoofers, βεβαιωθείτε ότι οι ρυθμίσεις της συχνότητας του φίλτρου LOW-PASS και του διακόπτη PHASE είναι ίδιες για κάθε ένα από αυτά.

Φροντίδα του subwoofer

Μπορείτε να καθαρίσετε την καμπίνα του subwoofer χρησιμοποιώντας ένα στεγνό κομμάτι ύφασμα. Εάν θέλετε να χρησιμοποιήσετε κάποιο καθαριστικό σε μορφή σπρέι, μην ψεκάσετε κατ' ευθείαν στην καμπίνα αλλά στο ύφασμα. Πριν καθαρίσετε την καμπίνα, αφαιρέστε την προστατευτική οπτα προσέχοντας να μην προξενήσετε ζημιά στο μεγάλωνο. Μπορείτε να καθαρίσετε τη σίτα χρησιμοποιώντας μία μαλακή βούρτσα.

Μην χρησιμοποιείτε το subwoofer σαν τραπέζι. Μην τοποθετείτε επάνω του αντικείμενα. Όταν το subwoofer λειτουργεί δημιουργούνται κραδασμοί και μπορεί τα αντικείμενα να πέσουν και να προξενήσουν ζημιά. Αποφύγετε κυρίως το ενδεχόμενο να χυθεί κάποιο υγρό επάνω στο ηχείο (π.χ. κάποιο ποτό ή το νερό από κάποιο βάζο).

Αν δεν πρόκειται να χρησιμοποιήσετε το σύστημά σας για μεγάλο χρονικό διάστημα, βγάλτε το subwoofer από την πρίζα.

Русский

Ограниченная гарантия

Уважаемый покупатель!

Добро пожаловать в компанию B&W!

Данное изделие было разработано и произведено в соответствии с высочайшими стандартами качества. Однако, при возникновении какой-либо неисправности, компания B&W Loudspeakers и её национальные дистрибьютеры гарантируют бесплатную починку (существуют некоторые исключения) и замену частей в любой стране, обслуживаемой официальным дистрибьютером компании B&W.

Данная ограниченная гарантия действительна на период одного года со дня приобретения изделия конечным потребителем.

Условия гарантии

- 1 Данная гарантия ограничивается починкой оборудования. Затраты по перевозке и любые другие затраты, а также риск при отключении, перевозке и установке изделий не покрываются данной гарантией.
- 2 Действие данной гарантии распространяется только на первоначального владельца и не может быть переданной другому лицу.
- 3 Данная гарантия распространяется только на те неисправности, которые вызваны дефектными материалами и/или дефектами при производстве на момент приобретения и не распространяется:
 - а на повреждения, вызванные неправильной установкой, подсоединением или упаковкой,
 - б на повреждения, вызванные использованием, не соответствующим описанному в руководстве по применению, а также неправильным обращением, модифицированием или использованием запасных частей, не произведённых или не одобренных компанией B&W,
 - в на повреждения, вызванные неисправным или неподходящим вспомогательным оборудованием,
 - г на повреждения, вызванные несчастными случаями, молнией, водой, огнём, теплом, войной, публичными беспорядками или же любыми другими факторами, не подпадающими под контроль компании B&W и её официальных дистрибьютеров,
 - д на изделия, чей серийный номер был изменён, уничтожен или сделан неузнаваемым,

- е в случае, если починка или модификации оборудования производились лицом, не уполномоченным компанией B&W.
- 4 Данная гарантия является дополнением к национальному/ региональным законодательствам, которым подчиняются дилеры или национальные дистрибьютеры, то есть при возникновении противоречий, национальные/ региональные законодательства имеют приоритетную силу. Данная гарантия не нарушает Ваших прав потребителя.

Как требовать гарантийную починку

При необходимости получения гарантийного обслуживания, выполните следующие шаги:

- 1 Если оборудование используется в стране приобретения, Вам необходимо связаться с уполномоченным дилером компании B&W, где было приобретено оборудование.
- 2 Если оборудование используется за пределами страны приобретения, Вам необходимо связаться с национальным дистрибьютером компании B&W в данной стране, который предоставит Вам совет об обслуживании оборудования. Вы можете позвонить в компанию B&W в Великобритании или же посетить наш вебсайт для того, чтобы узнать контактный адрес Вашего местного дистрибьютера.

Для получения гарантийного обслуживания, Вам необходимо предоставить данный буклет, заполненный Вашим дилером и с поставленной им печатью в день приобретения оборудования; или же чек продажи или другое доказательство владения оборудованием и даты приобретения.

Руководство по эксплуатации

ВАЖНЫЕ ИНСТРУКЦИИ ПО БЕЗОПАСНОСТИ



ВНИМАНИЕ
ОПАСНОСТЬ ПОРАЖЕНИЯ
ЭЛЕКТРИЧЕСКИМ ТОКОМ
НЕ ОТКРЫВАТЬ



Внимание:

Для снижения опасности поражения электрическим током не снимайте заднюю панель. Внутри нет элементов, необходимых пользователю. Предоставьте техническое обслуживание квалифицированному персоналу.

Объяснение графических символов:



Изображение молнии в равносоставленном треугольнике предупреждает о наличии внутри корпуса изделия неизолированного напряжения, величина которого может создавать опасность поражения человека электрическим током.



Изображение восклицательного знака в равносоставленном треугольнике предупреждает о том, что в сопроводительной документации на изделие имеются важные инструкции по эксплуатации и техническому обслуживанию.

ПРЕДУПРЕЖДЕНИЯ:

- 1 Прочтите инструкции – Перед началом эксплуатации изделия необходимо прочесть все инструкции по технике безопасности и эксплуатации.
- 2 Сохраняйте инструкции – Инструкции по технике безопасности и эксплуатации необходимо сохранять для последующих справок.
- 3 Обращайте внимание на предупреждения – Необходимо учитывать все предупреждения, указанные на изделии и в инструкциях по его эксплуатации.
- 4 Следуйте инструкциям – Необходимо следовать всем инструкциям по эксплуатации.
- 5 Источники питания – Это изделие следует подсоединять к источнику питания только того типа, который указан на задней панели. Если Вы не знаете параметров электросети в Вашем доме, обратитесь к Вашему дилеру или в местную электрическую компанию.
- 6 Заземление и соблюдение полярности – Это изделие не требует заземления. Убедитесь, что вилка полностью вставлена в стенную розетку или в розетку удлинителя, для предотвращения поражения электрическим током. Если Вы пользуетесь удлинителем или шнуром питания, не входящим в комплект изделия, проследите, чтобы он был оборудован литыми вилками и соответствовал принятым в Вашей стране нормам электробезопасности.
- 7 Защита шнуров питания – Шнуры питания должны прокладываться таким образом, чтобы на них не наступали и не задевали какими-либо предметами; обращайте особое внимание на места вблизи

- вилок, штепсельных разъемов и выхода шнура из корпуса изделия.
- 8 Перегрузка – Не перегружайте розетки электросети и удлинители, так как это может привести к возгоранию или поражению электрическим током.
- 9 Вентиляция – Панель усилителя в задней части изделия является частью системы охлаждения и не должна загораться или покрываться. Не размещайте изделие на кровати, софе, ковре или подобной мягкой поверхности. Убедитесь, что ребра радиатора ориентированы вертикально для обеспечения должного охлаждения. Не следует встраивать изделие в стойки, полки, ящики, если там не обеспечивается достаточная вентиляция или это не разрешено в инструкции производителя.
- 10 Источники тепла – Изделие следует размещать вдали от источников тепла, таких как радиаторы, тепловые завесы, печи или другие приборы (включая усилители), которые выделяют тепло.
- 11 Настенный монтаж или крепление к потолку – Изделие следует монтировать на стене или на потолке только в соответствии с рекомендациями изготовителя.
- 12 Вода и влага – Не используйте это изделие вблизи воды – например, рядом с ванной, раковиной, кухонной мойкой, стиральной машиной; в подвалах с повышенной влажностью или рядом с плавательным бассейном и т.п.
- 13 Попадание внутрь предметов и жидкостей – Никогда не вставляйте какие-либо предметы в это изделие через отверстия, так как они могут коснуться точек под опасным напряжением или вызвать короткое замыкание, что может привести к возгоранию или поражению электрическим током. Никогда не проливайте какую-либо жидкость на изделие. Не ставьте на изделие емкости, наполненные жидкостью.
- 14 Очистка – Перед очисткой выньте вилку шнура питания этого изделия из розетки электросети. Рекомендации по очистке приведены в разделе "Уход за сабвуфером".
- 15 Приспособления – Не пользуйтесь приспособлениями, не рекомендованными изготовителем, так как это может привести к опасным ситуациям.
- 16 Принадлежности – Не размещайте изделие на неустойчивой тележке, стойке, кронштейне или столе. Изделие может упасть, нанеся серьезную травму ребенку или взрослому и само получить повреждения. Используйте только рекомендованные изготовителем или входящие в комплект изделия стойки и т.п. Любой монтаж изделия следует проводить только в соответствии с инструкциями изготовителя, а монтажные приспособления должны быть рекомендованы изготовителем.
- 17 Перемещение – Тележку с установленным изделием следует перемещать осторожно. Резкие остановки, приложение излишних усилий и неровный пол могут привести к опрокидыванию тележки. Убедитесь, что под ковром не проходят электропровода, которые могут быть повреждены шиповыми опорами изделия. Не тащите изделие волоком, так как шиповые опоры могут отломиться от корпуса и вызвать повреждение. Соблюдайте осторожность, чтобы не нанести себе повреждения шиповыми опорами.
- 18 Перерывы в использовании – Если изделие предполагается долго не использовать, выньте вилку шнура питания из розетки электросети.
- 19 Обслуживание – Не пытайтесь обслуживать это изделие самостоятельно, так как при открывании или снятии крышек Вы можете попасть под опасное для жизни напряжение и подвергаете себя другим опасностям. Предоставьте техническое обслуживание квалифицированному персоналу.
- 20 Повреждения, требующие технического обслуживания – Выньте вилку шнура питания этого изделия из розетки электросети и обратитесь к квалифицированному мастеру в следующих случаях:
- Повреждены шнур питания или вилка;
 - Внутри изделия попали предметы или жидкость;
 - Изделие подверглось воздействию дождя или воды;
 - Изделие не обеспечивает нормальную работу при выполнении инструкций по эксплуатации. Пользуйтесь только указанными в инструкциях по эксплуатации органами управления, так как неправильное проведение прочих регулировок может привести к повреждениям, устранение которых потребует сложного ремонта с привлечением высококвалифицированного персонала.
 - Изделие уронили или оно имеет другие повреждения.
 - Произошли заметные изменения в работе изделия – это указывает на необходимость проведения технического обслуживания.
- 21 Замена деталей – Когда требуется замена деталей, убедитесь в том, что мастер устанавливает детали, рекомендованные изготовителем, или имеющие характеристики, аналогичные оригинальным деталям. Неавторизованная замена деталей может привести к возгоранию, поражению электрическим током и другим опасным ситуациям.
- 22 Сетевые предохранители находятся внутри усилителя. Их замена должна производиться персоналом, авторизованным B&W. Типы предохранителей указаны в спецификации.
- 23 Проверка безопасности – После завершения любого обслуживания или ремонта этого изделия попросите мастера провести проверку безопасности, чтобы убедиться в том, что изделие подготовлено к эксплуатации.
- 24 Магнитные поля – Это изделие создает статическое магнитное поле рассеяния. Не размещайте предметы, на которые может повлиять магнитное поле (например, телевизоры и мониторы с электронно-лучевыми трубками, аудио и видео кассеты, магнитные карты) ближе 0,5 м от изделия. На малом расстоянии изделие способно вызвать искажение изображения, передаваемого электронно-лучевой трубкой.

Введение

Благодарим за приобретение активного сабвуфера (низкочастотной акустической системы) производства компании B&W.

Со времени основания в 1966 году, компания Bowers & Wilkins всегда ставила своей целью безупречное воспроизведение звука. Воздушевляемая в этом стремлении своим основателем, ныне покойным Джоном Бауэрсом, компания вкладывала большие средства не только в разработку новейших аудио технологий, но и в постоянное изучение особенностей современной музыки и кино, чтобы использовать эти технологии максимально эффективно.

Этот сабвуфер был разработан для использования в качестве акустической системы (АС) домашнего театра, а также для того, чтобы повысить уровень басов в двухканальной полнодиапазонной аудиосистеме. Добавка сабвуфера к Вашей аудиосистеме позволяет не только расширить басовый диапазон до наиболее низких частот, но и сделать чище звучание среднего диапазона, снижая низкочастотную нагрузку на Ваши колонки.

Пожалуйста, внимательно прочтите данное руководство перед использованием сабвуфера. Настройка любой аудиосистемы требует планирования и эксперимента для достижения наилучшего результата, и

данное руководство поможет Вам в этом.

До подключения сабвуфера к электросети необходимо ознакомиться со всеми инструкциями по безопасности и предупреждениями.

Поместите это руководство в надёжное место для будущих справок.

Акустические системы компании B&W поставляются в более чем 60 стран по всему миру, и наша компания поддерживает международную сеть тщательно отобранных и высококвалифицированных дистрибьюторов. Если у Вас возникнет проблема, с которой не может справиться дилер, наши дистрибьюторы охотно придут Вам на помощь.

Распаковка (рис.1)

Ниже описан простейший способ распаковки сабвуфера без повреждений:

- Отогните верхние клапаны коробки и переверните её вместе с содержимым.
- Снимите коробку с аппарата.

Мы рекомендуем сохранить упаковку для использования в будущем.

Помимо данного руководства, коробка должна содержать:

- 1 Сабвуфер
- 4 резиновые ножки
- 4 шиповые ножки с контргайками
- 1 документ с Международной гарантией

Элементы сабвуфера (рис.2)

- 1 Теплоотвод
- 2 Клеммы входа и выхода высокого уровня
- 3 Гнезда входа и выходов линейного уровня
- 4 Переключатель частотной коррекции (EQ)
- 5 Регулятор граничной частоты НЧ фильтра (LOW-PASS FILTER)
- 6 Переключатель фазы (PHASE)
- 7 Выключатель НЧ фильтра (LOW-PASS FILTER IN/OUT)
- 8 Переключатель Вкл/Авто (MODE)
- 9 Индикатор Вкл/Готовность
- 10 Регулятор громкости (VOLUME)
- 11 Шнур питания
- 12 Выключатель питания (POWER)

Задача сабвуфера

В домашнем театре

Главным образом – воспроизведение сигнала канала низкочастотных эффектов (LFE). Кроме того, можно заставить процессор добавлять к данным LFE низкочастотную составляющую некоторых (или всех)

других каналов, охарактеризовав АС этих каналов как “маленькие” в процессе настройки процессора.

В 2-канальной аудиосистеме

Сабвуфер используется для расширения НЧ характеристики за предел, достижимый колонками-сателлитами. Как правило, наилучший результат достигается при подаче на сателлиты обычного полнодиапазонного сигнала непосредственно с усилителя мощности. Тогда НЧ фильтр сабвуфера настраивается так, чтобы подъем его характеристики приходился на естественный спад характеристики сателлитов. Однако, если сателлиты очень маленькие, басовая составляющая может перегрузить их и тем самым ограничить полную мощность системы. В этом случае лучше использовать ВЧ фильтр сабвуфера для ограничения басовой составляющей сигнала, приходящего на сателлиты.

Размещение сабвуфера

Из-за того, что сабвуфер издает только низкочастотные звуки, его размещение не так критично, как размещение полнодиапазонных колонок.

Определение источника звука гораздо менее точно, и у Вас есть возможность широкого выбора при размещении сабвуфера для достижения наилучшего эффекта. Однако, лучшие результаты достигаются, если сабвуфер размещён между левой и правой АС или вблизи одной из них. При использовании двух сабвуферов лучше всего поместить каждый из них рядом со своей колонкой.

Размещение сабвуфера позади слушателей даже в системах окружающего звука обычно ухудшает формирование звукового образа, однако может быть приемлемо, если условия комнаты не допускают других вариантов.

Расстояние до стен комнаты влияет на звучание сабвуфера, как и любой другой колонки. Чем больше близко расположенных к колонкам поверхностей, тем сильнее, как правило, звучит бас. Однако, в отличие от полнодиапазонных колонок, уровень громкости сабвуфера можно отрегулировать и таким образом восстановить корректный тональный баланс всей системы. Чем сильнее отражение звука в комнате, тем легче работа колонки, но здесь есть и обратная сторона. Установка колонок в углу часто приводит к усилению низкочастотных резонансов комнаты, делающих бас неравномерным по частоте. Все помещения обладают различными акустическими свойствами, поэтому нельзя обойтись без эксперимента. Попробуйте установить сабвуфер в разных местах комнаты, прежде чем принять окончательное решение.

Прослушивание музыкальных произведений с восходящими и нисходящими басовыми пассажами

помогает определить, насколько гладка низкочастотная характеристика. Прислушайтесь к звучанию особо ярко выраженных или же тихих нот. Обладание отдельным сабвуфером позволяет Вам оптимизировать его размещение с точки зрения резонансов, независимо от размещения сателлитов, нацеленного на лучшее формирование звукового образа.

Если сабвуфер необходимо разместить в замкнутом пространстве (например, в построенной на заказ мебели), то это пространство должно быть хорошо вентилируемо для охлаждения аппарата. Посетуйтеись об этом со своим дилером.

В комплект сабвуфера входят четыре шиповые ножки. Шипы прикручивают ковер и обеспечивают прочную опору сабвуфера о пол без повреждения ворса ковра.

Если приходится размещать сабвуфер на уязвимой поверхности, вроде деревянного пола, подложите под шипы защитные прокладки или замените шипы резиновыми ножками.

Для прикрепления шиповых или резиновых ножек сначала полностью намотайте контргайки на резьбу ножек, затем плотно винтите ножки в отверстия в корпусе сабвуфера. Если сабвуфер шатается, отрегулируйте высоту двух противостоящих ножек, пока сабвуфер не будет прочно установлен, а потом заново затяните контргайки.

Электрические соединения

Во избежание повреждений отсоедините питание всего аудио оборудования на время осуществления и проверки подсоединений.

К сабвуферу подводятся и отводятся сигналы линейного уровня через гнезда RCA, а также сигналы высокого уровня через клеммы, расположенные на задней панели.

Выбирая способ соединения Вашей аудиосистемы, воспользуйтесь рекомендациями:

Применение: Домашний театр

Процессор без встроенных усилителей мощности, питание одного или более сабвуферов – рис. 3.

Процессор со встроенными усилителями мощности, питание одного или более сабвуферов:

– с выходом для сабвуфера линейного уровня – рис. 4

– с выходом для сабвуфера высокого уровня – рис. 5

Применение: 2-канальная аудиосистема

С отдельными предусилителем и усилителем мощности:

– Полнодиапазонный сигнал на сателлитах и:

– Один сабвуфер – рис. 6

– Два сабвуфера – рис. 7

– Фильтрованный ВЧ сигнал на сателлитах и:

- Один сабвуфер – рис. 8
- Два сабвуфера – рис. 9

С интегрированными предусилителем и усилителем мощности:

- Полнодиапазонный сигнал на спутниках и:
 - Один сабвуфер – рис. 10
 - Два сабвуфера – рис. 11
- Фильтрованный ВЧ сигнал на спутниках и:
 - Один сабвуфер – рис. 12
 - Два сабвуфера – рис. 13

Использование нескольких сабвуферов

Использование более, чем одного сабвуфера в одной аудиосистеме может улучшить воспроизведение звука следующими способами:

- Поддержка разделения стерео каналов до самых низких частот.
- Способность системы к работе в больших помещениях.
- Достижение большей максимальной мощности звука, что улучшает воспроизведение звуковых эффектов в домашнем кинотеатре.
- Уменьшение влияния низкочастотного резонанса помещения.

В 2-канальной аудиосистеме разделение стерео каналов улучшается при условии, что каждый канал оснащен своим сабвуфером, расположенным рядом со своей колонкой-спутником. Если Вы не можете обеспечить такое расположение, следует использовать моно соединение, показанное на рис. 8.

Проверка правильности подключений

УБЕДИТЕСЬ, ЧТО НАПРЯЖЕНИЕ ЭЛЕКТРОСЕТИ СООТВЕТСТВУЕТ ПАРАМЕТРАМ ПИТАЮЩЕГО НАПРЯЖЕНИЯ, УКАЗАННЫМ НА ПАНЕЛИ УСИЛИТЕЛЯ

Перед проверкой качества звучания новой аудиосистемы и её точной настройкой, дважды проверьте правильность всех соединений. Пользователи часто жалуются, что не могут добиться хорошего звучания системы вне зависимости от её регулировки. Это, как правило, вызвано неправильным подключением. Убедитесь в том, что:

- Правильно выбрана фаза – положительные клеммы не должны быть подключены к отрицательным клеммам колонок. Неправильный выбор фазы приводит к размытости звука с неустранимым звуковым образом или к нехватке басов, или к тому и к другому вместе.
- Правый и левый каналы не перепутаны. Это может привести к тому, что, скажем, звучание инструментов в оркестре покажется зеркально отражённым или же, что ещё более неприятно,

звуки не будут совпадать с происходящим на экране телевизора.

Включение и выключение питания

Мы рекомендуем включать сабвуфер до включения усилителей мощности, получаящий сигнал от сабвуфера, а выключать его, наоборот, последним.

Переключатель MODE On/Auto (8) и световой индикатор (9) работают следующим образом:

On:

При переключателе в этом положении, усилитель постоянно остаётся включённым и световой индикатор светится зелёным цветом.

Auto:

При первом включении сабвуфера в авто-режиме, усилитель полностью включается и световой индикатор (9) светится зелёным цветом. Примерно через 5 минут, если на вход не поступил сигнал, усилитель автоматически переходит в режим готовности и цвет индикатора меняется на красный. При обнаружении входного сигнала усилитель автоматически переходит в рабочий режим и индикатор становится зелёным.

Настройка сабвуфера

Сабвуфер снабжен 5-ю органами управления:

- Регулятором громкости (VOLUME) (10)
- Регулятором граничной частоты НЧ фильтра (LOW-PASS FILTER) (5)
- Выключателем НЧ фильтра (LOW-PASS FILTER IN/OUT) (7)
- Переключателем фазы (PHASE) (6)
- Переключателем частотной коррекции (EQ) (4)

Оптимальное положение регуляторов зависит от того, какое оборудование используется совместно с сабвуфером. При использовании более одного сабвуфера, убедитесь, что регуляторы обоих сабвуферов находятся в одинаковом положении.

В домашнем театре

Сабвуфер не является лицензированным компонентом THX®, но, при желании, может быть использован с контроллером THX®.

- Установите регулятор VOLUME в положение "9 часов".
- Установите выключатель LOW-PASS FILTER в положение OUT (Выключен).
- Первоначально, установите переключатель EQ в положение A.
- Первоначально, установите переключатель PHASE в положение 0°.
- Положение регулятора LOW-PASS FILTER не имеет значения.

См. также раздел "Точная настройка".

Если Вы пользуетесь контроллером THX®, убедитесь, что активирована его функция сабвуфера. В этом случае контроллер сам выполняет всю фильтрацию сигнала и установку уровня для сабвуфера во всех режимах. Для калибровки уровня громкости следует использовать тестовый генератор шума и регуляторы уровня каналов контроллера THX®. Во всех случаях на месте прослушивания должен быть достигнут уровень звукового давления 75 дБ (взвешенный по кривой C) на тестовом сигнале.

При использовании других процессоров, охарактеризуйте фронтальные АС и тыловые АС как "большие" или "малые" перед калибровкой уровня громкости. Для калибровки уровня громкости используйте тестовый генератор шума и регуляторы уровня каналов процессора. Измените положение регулятора VOLUME сабвуфера только в том случае, если процессор не обладает достаточным диапазоном для достижения правильного уровня громкости.

Для калибровки уровня хорошо использовать недорогие измерители звукового давления, которые продаются в магазинах электронной аппаратуры. Подробно о калибровке уровня громкости см. инструкцию по эксплуатации процессора.

В 2-канальной аудиосистеме

- Установите регулятор VOLUME в положение "9 часов".
- Установите выключатель LOW-PASS FILTER в положение IN (Включен).
- Первоначально, установите переключатель EQ в положение A.
- Первоначально, установите переключатель PHASE в положение 180°.

Если на спутники подается полнодиапазонный сигнал (рис. 6, 7, 10, 11).

- Установите переключатель LOW-PASS FILTER на ту частоту, где характеристика спутников снижается на -6 дБ.

В технических характеристиках всех АС B&W указаны граничные частоты по уровню как -3 дБ, так и -6 дБ. Если производитель АС указывает только частоту по уровню -3 дБ, то оптимальная установка регулятора LOW-PASS FILTER будет между 0,6 и 0,9 умножить на частоту по уровню -3 дБ, в зависимости от крутизны спада. Чем более пологим является спад, тем более низкая частота может быть установлена.

Если на спутники подается фильтрованный ВЧ сигнал (рис. 8, 9, 12, 13).

- Установите переключатель LOW-PASS FILTER первоначально на 80 Гц.

См. также раздел "Точная настройка".

Точная настройка

В домашнем театре

Поступающий на сабвуфер сигнал низкочастотных эффектов (LFE) представляет собой отдельный канал, а не продолжение сигнала, подаваемого на другие колонки. НЧ фильтр выключен, так как процессор обеспечивает всю фильтрацию для любых колонок, охарактеризованных как "малые". Однако, положению переключателя фазы должно быть уделено внимание. Обычно фаза устанавливается на 0°, но если сабвуфер расположен на гораздо большем расстоянии от слушателя, чем другие колонки, или усилитель мощности, питающий другие колонки, инвертирует сигнал, то положение 180° может оказаться предпочтительнее. Проверьте прослушивание с переключателем в обоих положениях и выберите то, которое обеспечивает наиболее насыщенное звучание. Если разница небольшая, оставьте переключатель в положении 0°.

Обычно процессоры имеют тестовый генератор шумового сигнала, используемый для установки относительных уровней громкости всех колонок, что облегчает настройку системы домашнего кинотеатра по сравнению с двухканальной аудиосистемой. Однако, не бойтесь менять настройку в соответствии с Вашим вкусом. Очень легко увлечься возможностями сабвуфера, особенно специфическими низкочастотными эффектами. Все же, наиболее реалистичное и, в конечном итоге, наименее утомительное звучание достигается установкой уровня сабвуфера ниже, чем стандартный уровень калибровки.

В 2-канальной аудиосистеме

Оптимальные установки переключателя PHASE и регулятора LOW-PASS FILTER взаимосвязаны и, помимо этого, зависят от параметров НЧ спада характеристики сателлитов. Тем не менее, рекомендованные выше установки PHASE и LOW-PASS FILTER хорошо работают в большинстве случаев; независимо от того, закрытый ли корпус сателлитов или снабжен фазоинвертором; при том что их граничная частота по уровню -6 дБ находится в пределах регулировки сабвуфера.

При включении сателлитов через ВЧ фильтр сабвуфера следует установить частоту ниже первоначальных 80 Гц, если граничная частота сателлитов по уровню -3 дБ ниже 80 Гц; и выше, если выше.

Установите систему в выбранное положение и включите музыку с равномерной басовой составляющей.

Сначала проверьте, соответствует ли положение переключателя PHASE значению, указанному в разделе "Настройка сабвуфера". Выберите то

положение, при котором бас звучит наиболее полно и насыщенно. Обычно рекомендованное положение оказывается оптимальным. Но иногда это может быть не так; например, если Вы используете соединения линейного уровня, а усилители мощности, питающие сателлиты, инвертируют сигнал; или если сабвуферы расположены далеко от сателлитов.

После этого установите громкость сабвуфера по отношению к сателлитам в зависимости от личного вкуса. Для выбора усредненного варианта, прослушайте разнообразные музыкальные произведения. То, что впечатляет на одном материале, может показаться слишком мощным для другого. Восприятие баланса зависит от уровня громкости, поэтому производите прослушивание на разумной громкости.

Наконец, выберите частоту регулятором LOW-PASS FILTER так, чтобы стыковка характеристик сабвуфера и сателлитов была максимально плавной. Возможно, это наиболее трудная задача.

Во всех случаях

Переключатель частотной коррекции EQ изменяет вид НЧ спада характеристики сабвуфера. Наше восприятие баса зависит как от сабвуфера, так и от реакции помещения. Выбирайте положение переключателя, обеспечивающее наилучший результат в данном помещении и при данном местоположении сабвуфера. Положение А дает более сдержанное звучание и лучше работает при угловом размещении сабвуфера или в гулкой комнате. Положение В больше подходит для "глухой" комнаты и размещения сабвуфера вдали от угла.

Если Вы ощущаете неравномерность баса, т.е. некоторые басовые тона звучат более подчеркнуто, чем остальные, то причиной этого может быть резонанс помещения и следует поэкспериментировать с расположением сабвуфера. Даже небольшое, – около 15 см, – перемещение может существенно повлиять на качество звука. Попробуйте не только передвигать сабвуфер, но и приподнять его над полом. Использование нескольких сабвуферов может сгладить резонанс, т.к. каждый сабвуфер будет вызывать резонанс на разных частотах. При существенном изменении расстояния от сабвуфера (или сабвуферов) и сателлитов до слушателей необходимо заново проверить положение переключателя фазы. Также, проверьте уровень громкости сабвуфера (при помощи выходного сигнала процессора или регулятора громкости сабвуфера, по ситуации), но сперва необходимо правильно настроить фазу.

При использовании более чем одного сабвуфера, убедитесь в том, что их регуляторы LOW-PASS FILTER и PHASE установлены одинаково.

Уход за сабвуфером

Стирать пыль с корпуса сабвуфера можно куском сухой ткани. При пользовании аэрозольными чистящими средствами их следует распылять не прямо на корпус, а на ткань. Сначала снимите декоративную решетку, чтобы не запачкать ее, однако будьте осторожны и не повредите динамик. Решетку можно чистить мягкой щеткой.

Не используйте сабвуфер в качестве столика. При включении сабвуфера предметы, лежащие на нём, будут дребезжать. В особенности, избегайте ставить на сабвуфер вазы с цветами, стаканы с напитками и т.п., так как пролитая жидкость может вызвать повреждение аппарата.

Если система долго не используется, отсоедините сабвуфер от электросети.

Norsk

Tidsbegrenset garanti

Kjære kunde, velkommen til B&W

Dette produktet er designet og produsert under strenge kvalitetskrav. Skulle det likevel oppstå feil på det, tilbyr B&W Loudspeakers og våre internasjonale distributører garanti som dekker arbeidskostnader (unntak kan forekomme) og byttedeler ved reparasjon i alle land representert av en offisiell B&W distributør.

Denne tidsbegrensede garantien gjelder i en periode på fem år fra kjøpedato. For elektronikk og høyttalere med innebygget forsterker er denne garantien på to år.

Betingelser og vilkår

- 1 Garantien er begrenset til reparasjon av produktet. Hverken transport eller andre kostnader i anledning reparasjon vil bli dekket av garantien.
- 2 Garantien gjelder kun for produktets kjøper, og kan ikke overføres til andre.
- 3 Garantien gjelder kun for feil som er tilstede på produktet når det kjøpes, og dekker ikke følgende:
 - a skade som har oppstått ved installasjon, tilkobling og utpakking,
 - b skader som skyldes feilbruk, uaktsomhet, modifikasjon av produktet eller bruk av deler som ikke er godkjent av B&W,
 - c skader som skyldes bruk sammen med andre produkter som ikke passer,
 - d skader som skyldes ulykker, lyn, vann, brann, offentlige uroligheter eller andre forhold som er utenfor B&Ws kontroll,
 - e på produkter hvor serienummer er blitt forandret, slettet, fjernet eller blitt gjort uleselig,
 - f skader som skyldes service utført av personer som ikke er godkjent av B&W.
- 4 Denne garantien komplimenterer alle forhandlere og distributørers forpliktelser ved regionale/nasjonale lover, og påvirker ikke dine lovbestemte rettigheter som forbruker.

Howdan kreve garantireparasjon

Hvis service skulle være nødvendig, vennligst følge denne prosedyren:

- 1 Hvis produktet brukes i samme land som det er kjøpt, kontakt forhandleren hvor produktet er kjøpt.
- 2 Hvis produktet brukes i et annet land enn det er kjøpt, kontakt den nasjonale B&W forhandler i landet du bor i. Her vil du få råd om hvor produktet ditt kan repareres. Du kan ta kontakt med B&W i England eller besøke vår hjemmeside for kontaktinformasjon om din lokale distributør.

For å bekrefte din garantirett, må denne garantifolderen fremvises utfyllt og med gyldig stempel fra forhandleren du kjøpte produktet. Garantien vil også gjelde ved fremvisning av original salgsfaktura eller annet bevis på eierskap og kjøpedato.

Bruksanvisning

VIKTIG SIKKERHETS- INFORMASJON



Advarsel:

Prøv aldri å løse panelet bak på dette produktet da det kan forårsake elektrisk støt. Det finnes ingen skiftedeler bak panelet, og all reparasjon/inspeksjon må utføres av kvalifisert servicepersonell.

Forklaring på grafiske symboler:



Symbolet med lyn i likesidet trekant gir advarsel om ikke-isolerte strømførende ledninger/ komponenter med kraftig spenning som kan gi elektrisk støt.



Symbolet med utropstegn i likesidet trekant gir advarsel om at viktig betjeningsinformasjon eller serviceinformasjon bør leses opp og leses i den medfølgende bruksanvisningen.

SIKKERHETSINSTRUKSJONER:

- 1 Les instruksjonene – All sikkerhetsinformasjon og brukerveiledning bør leses før man tar dette produktet i bruk.
- 2 Ta vare på instruksjonene – Ta vare på sikkerhetsinformasjon og bruksanvisning for senere referanser.
- 3 Ta hensyn til advarsler – Alle advarsler – både på produktet og i medfølgende litteratur – må tas hensyn til.
- 4 Følg instruksjonene – Alle instruksjoner i bruksanvisningen bør følges.
- 5 Strømtilkobling – Dette apparatet må kun kobles til strømmett med samme spenning som indikert på produktets bakpanel. Er du i tvil om disse korresponderer, ta kontakt med betjeningen i butikken hvor du har kjøpt det eller din lokale strømleverandør.
- 6 Jording – Dette produktet trengs ikke kobles til jordet stikkontakt. Sørg derimot for at støpselet er skikkelig festet i stikkontakten slik at strømførende deler ikke kan berøres. Ved bruk av skjøteledning eller annen ledning enn den som følger med produktet, må man sikre seg at den

har riktig plugg som passer.

- 7 Strømledninger – Strømledninger må aldri legges slik at de kan trækkes på, snubles i eller klemmes mellom bevegelige deler.
- 8 Overbelastning – Pass på at strømtattaket som produktet er koblet til ikke blir overbelastet. Dette kan føre til kortslutning og/eller fare for brann.
- 9 Ventilasjon – Forsterkerdelen på baksiden av produktet er en del av kjølepanelet, og produktet må aldri plasseres slik at denne delen tar borti sofa, seng, stoler, teppe eller lignende flater. Sørg for at produktet er plassert slik at kjøleribbene på baksiden står vertikalt. Dette gir maksimal bortføring av varme. Produktet bør ikke plasseres i rack, bokhylle, kabinett eller lignende steder som ikke gir tilfredsstillende ventilasjon.
- 10 Varme – Produktet må plasseres i god avstand fra radiator, ovn, komfyр eller andre varmeproduserende enheter (inklusive forsterker).
- 11 Vegg eller takmontering – Hvis produktet skal monteres på vegg eller i tak må man følge produsentens anbefalinger for dette.
- 12 Vann og fuktighet – Ikke bruk dette produktet i nærheten av vann – for eksempel i nærheten av badekar, vask, utslagsvask, kjøkkenbenk, vaskemaskin, svømmebasseng eller i fuktig kjeller.
- 13 Fremmedlegemer og flytende væsker – Fremmedlegemer må aldri føres inn i åpninger/hull i produktet da dette kan føre til kortslutning, og dermed fare for elektrisk støt og/eller brann. Ikke plasser glass, flasker eller annet med flytende innhold oppå produktet.
- 14 Rengjøring – Sørg alltid for at produktet er koblet fra strømmettet når det rengjøres. Se også instruksjonsmanualen under kapittelet "Rengjøring" (evt "Aftercare").
- 15 Tilkobling – Koble aldri til enheter som ikke er anbefalt av produsenten, da dette kan føre til fare for feilbruk eller skade.
- 16 Tilbehør – Plasser aldri produktet på ustabile vogner, bord, stativer, braketter eller lignende. Produktet kan falle ned og skade barn, voksne og dyr. Produktet kan også ta skade og slutte å fungere. Skal produktet plasseres på vogn, bord, stativ, brakett eller lignende må disse være godkjent av produsenten. Ved all montering må produsentens instruksjoner følges.
- 17 Flytting av produktet – Produkt med tilbehør må flyttes forsiktig. Hurtig stans, bruk av overdreven kraft og ujevne flater kan få produktet til å velte. Kontroller at det ikke er kabler under teppe som kan bli skadet av spikes'ene på undersiden av produktet. Produktet må løftes under flytting da spikes kan gjøre skade på gulv eller løse. Spikes er skarpe – vær forsiktig så du ikke skader deg på dem.

- 18 Når ikke i bruk – Sørg for at produktet er koblet fra strømmettet hvis det i lengre perioder ikke er i bruk.
- 19 Teknisk service – Prøv aldri å gjennomføre teknisk service på dette produktet på egenhånd, da fjerning av paneler kan avdekke komponenter med mye/farlig strøm eller annen fare. All teknisk service på produktet skal gjøres av kvalifisert personell.
- 20 Når teknisk service er nødvendig – Koble produktet fra strømmettet og kontakt kvalifisert personell ved følgende tilfeller:
- Hvis strømledning eller strømplugg er skadet.
 - Hvis det er sølt væske på produktet eller fremmedlegemer er kommet inn i det.
 - Hvis produktet har vært utsatt for regn eller fuktighet.
 - Hvis produktet ikke fungerer normalt, på tross av at instruksjonene i brukermanualen er fulgt. Bruk kun de justeringsmulighetene på produktet som er beskrevet i bruksanvisningen, da feil bruk av andre justeringer kan føre til feil på produktet og større reparasjoner av kvalifisert servicetekniker.
 - Hvis produktet har falt i bakken eller er skadet på annen måte.
 - Hvis det skjer en merkbart forandring i produktets prestasjoner som tilsier at service er nødvendig.
- 21 Servicedeler – Hvis det under service må byttes deler i produktet, sørg for at det blir brukt deler som er spesifisert av produsenten eller har tilsvarende karakteristikk/verdier som originaldelen. Bruk av uautoriserte deler kan forårsake brann, elektrisk støt eller annen fare.
- 22 Sikringer – Disse er plassert inne i produktets forsterkerdel og bør kun skiftes av en B&W autorisert servicetekniker. Sikringstype og verdier er oppgitt i produktets spesifikasjoner.
- 23 Sikkerhetsjekk – Sørg alltid for at teknikeren gjennomfører en sikkerhetsjekk på produktet før det leveres tilbake etter service. Dette for å garantere at det fungerer som det skal.
- 24 Magnetfelt – Dette produktet har et magnetfelt rundt seg. Man bør derfor ikke plassere objekter som kan ta skade av dette (f.eks. TV med bilderør, dataskjermer, video-/kassettbånd, kort med magnetstripe osv.) nærmere enn 50 cm fra produktet. Det kan oppstå forstyrrelser på TV/dataskjermer selv om de står plassert lengre fra enn denne avstanden.

Svenska

Begränsad garanti

Välkommen till B&W!

Denna produkt har tillverkats enligt högsta kvalitetsstandard. Om något mot förmodan skulle gå sönder garanterar B&W och dess återförsäljare att utan kostnad (vissa undantag finns) reparera och byta ut reservdelar i alla länder som har en officiell B&W-distributör.

Denna begränsade garanti gäller i fem år från inköpsdatum, och i två år för elektronikkomponenter, inklusive högtalare med inbyggda förstärkare.

Villkor

- Garantin gäller endast reparation. Varken transport- eller installationskostnader eller andra kostnader täcks av garantin.
- Garantin gäller endast ursprungliga köparen och överförs inte om produkten säljs i andra hand.
- Garantin täcker inga andra skador än reparation av felaktiga material eller komponenter eller felaktigt arbete utfört före inköpstillfället. Garantin täcker således inte:
 - skador som uppstått vid felaktig installation eller uppackning,
 - skador som uppstått vid annat bruk än det som uttryckligen beskrivs i instruktionsboken, till exempel försumlighet, modifiering eller användande av delar som inte tillverkats eller godkänts av B&W,
 - skador som uppstått på grund av kringutrustning,
 - skador som uppstått på grund av blixtnedslag, eldsvåda, överspänning, krig, upplopp eller andra händelser som rimligtvis inte kan kontrolleras av B&W och dess distributörer,
 - produkter som saknar eller har ändrade serienummer,
 - produkter som reparerats eller modifierats av icke-godkänd person.
- Denna garanti är ett komplement till nationella lagar och bestämmelser och påverkar inte kundens lagliga rättigheter och skyldigheter.

Så använder du garantin

Gör så här om du behöver använda dig av garantin:

- Om produkten används i inköpslandet kontaktar du den auktoriserade B&W-handlaren som du köpte produkten av.
- Om produkten används i ett annat land kontaktar du den nationella distributören som kan ge dig instruktioner om var du kan få produkten reparerad. Om du vill ha information om vem distributören är kan du ringa till B&W i Storbritannien eller besöka vår hemsida.

För att garantin skall gälla behöver du visa upp detta häfte, ifyllt och stämplat av din handlare vid köptillfället. Faktura eller annat

ägarbevis med information om inköpstillfället kan också behövas.

Bruksanvisning

VIKTIGA SÄKERHETS-INSTRUKTIONER



VARNING
RISK FÖR STÖTÄR
FÄR EJ ÖPPNAS



Varning:

Ta ej bort bakpanelen, eftersom det finns risk för elstöt. Det finns inga delar som kan lagas av användare på insidan. Överlått all service åt kvalificerade tekniker.

Förklaring av symboler:



Symbolen med en blix i en liksidig triangel är avsedd som varning för att icke-jordad spänning förekommer inuti produkten. Denna är tillräckligt kraftig för att kunna orsaka skador.



Symbolen med ett utropstecken inuti en liksidig triangel är avsedd för att hänvisa till viktiga instruktioner i bruksanvisningen som medföljer produkten.

VARNINGAR:

- Läs instruktionerna. Läs alla föreskrifter om säkerhet och handhavande noggrant innan du använder apparaten.
- Behåll instruktionerna. Behåll föreskrifter om säkerhet och handhavande så att du kan läsa mer vid ett senare tillfälle.
- Följ föreskrifterna. Följ alltid alla säkerhets- och handhavandeföreskrifter.
- Följ instruktionerna. Följ alltid alla instruktioner om hur apparaten fungerar.
- Einät. Produkten ska endast användas i ett einät som motsvarar det som är utmärkt på baksidan av apparaten. Om du inte är säker på vilket elsystem som används där du bor, tala med din handlare eller ditt elbolag.
- Jordning. Apparaten behöver inte jordas. Se till att stickkontakten är noggrant ansluten i stickkontakten eller förlängningssladden. Om du använder en annan strömsladd än den som medföljer produkten måste du se till att den följer de säkerhetsföreskrifter som råder i det land där du bor.
- Skydd av strömsladd. Alla strömsladdar ska dras så att ingen kan trampa på dem eller att de riskeras att utsättas för slitage, till exempel genom att tunga föremål placeras på dem.

- Detta gäller särskilt kontaktdelarna.
- 8 Överbelastning. Överbelasta inte vägguttag eller förlängningsladdar för att undvika eldrisk och elektriska stötar.
 - 9 Ventilation. Förstärkarpanelen på baksidan av apparaten är en del av avkylingsdelen och får inte täckas över. Undvik att placera apparaten ovanpå eller strax intill till exempel en säng, en mjuk matta eller soffa. Kyllflänsarna ska vara placerade lodrätt för att de ska fungera riktigt. Denna produkt får inte placeras helt innesluten i ett skåp eller en hylla om den inte får rikligt med ventilation eller tillverkarens instruktioner följs.
 - 10 Värme. Apparaten ska placeras långt ifrån värmekällor, som till exempel spisar, värmeelement och andra apparater (inklusive förstärkare) som alstrar värme.
 - 11 Vegg- eller takmontering. Produkten kan endast monteras på vägg eller i tak om tillverkarens instruktioner följs.
 - 12 Vatten och vätskor. Använd inte produkten i närheten av vatten eller i en fuktig miljö, till exempel nära ett badkar eller handfat, i en fuktig källare eller utomhus.
 - 13 Främmande föremål. Inga främmande föremål får stoppas in i apparatens öppning, eftersom de kan orsaka kortslutning och/eller medföra brandfara. Var också mycket noga att aldrig spillta vätska på apparaten. Placera ingenting innehållande vätska ovanpå produkten.
 - 14 Rengöring. Dra alltid ut elsladden till vägguttaget när du rengör apparaten. Rengöringsinstruktioner finns i instruktionerna under "Rengöring".
 - 15 Anslutningar. Använd inga andra anslutningar än de som rekommenderas av produktens tillverkare, eftersom dessa kan medföra risker.
 - 16 Tillbehör. Placera inte denna produkt på ett ostadigt stativ, bord eller en ostadig hylla. Apparaten kan ramlar ner och orsaka allvarliga skador på både vuxna och barn, och dessutom skada produkten i sig. Den bör endast användas tillsammans med möbler och stativ som rekommenderas av tillverkaren eller försäljningsstället. Inga monteringsinstruktioner ska ske enligt tillverkarens instruktioner, och endast med de tillbehör som rekommenderas av tillverkaren.
 - 17 Flyttning av produkten. När du flyttar produkten ska du vara aktsam. Hastiga stopp eller ryck kan orsaka att produkten vältnar. Se också till att inga kablar skadas av produktens spikes. Vagga inte produkten fram och tillbaka eftersom de spikes som är fästa på undersidan då kan lossna eller skada golvet. Akta också fötterna så att du inte skadas.
 - 18 Avstängning. Om apparaten inte ska användas under en lång tid bör du dra ur strömkontakten ur vägguttaget.

- 19 Service. Försök inte själv att åtgärda fel på produkten. Om du öppnar den utsätter du dig för risk för kraftiga elstötar och andra faror. All service ska utföras av kvalificerade tekniker.
- 20 Skador som kräver service. Koppla ut strömsladden ur vägguttaget och överlåt service åt kvalificerade tekniker under följande omständigheter:
 - a När strömsladden eller kontakten är skadad.
 - b Om du har spillt vätska i eller ett föremål har ramlat ner i apparaten.
 - c Om apparaten utsatts för regn eller vatten.
 - d Om inte apparaten fungerar som den ska. Justera endast de kontroller som beskrivs i instruktionsboken, om du gör andra förändringar kan du skada produkten så allvarligt att endast en större och mer omfattande reparation blir nödvändig.
 - e Om du har tappat produkten eller om den skadats allvarligt på annat sätt.
 - f Om produkten fungerar på ett sätt som skiljer sig avsevärt från det normala.
- 21 Reservdelar. När reservdelar behöver monteras måste de vara av exakt samma typ eller ha samma egenskaper som originaldelarna. Andra komponenter kan orsaka brand, risk för elstötar eller försämrade egenskaper.
- 22 Elsäckringar är placerade på insidan av förstärkaren och får endast ersättas av en auktoriserad servicetekniker som är godkänd av B&W. Vilken typ av säkring som ska användas anges i specifikationerna.
- 23 Säkerhetskontroll. Efter varje reparation eller service ska tekniker utföra en säkerhetskontroll av apparaten, för att försäkra sig om att apparaten fungerar på ett riktigt sätt.
- 24 Magnetfält. Produkten skapar ett magnetiskt fält som omger den. Placera inga föremål som kan skadas av det i detta magnetfält. Detta gäller till exempel TV-apparater och datorskärmar, kreditkort och videokassetter. Magnetfältet sträcker sig cirka 0,5 meter, men känsliga TV-apparater kan påverkas även längre ifrån apparaten.

Suomi

Takuuehdot

Tervetuloa B&W:n pariin.

Tämä tuote on valmistettu noudattaen korkealuokkaisia laatustandardreja, jos kuitenkin jotain vikaa ilmenee B&W:n tehdas ja virallinen jälleenmyyjä ovat valmiita huoltamaan tuotteen.

Takuu on voimassa 5 vuotta ostopäivästä lähtien. Kaiuttimien vahvistimien elektronikkalla on kahden vuoden takuu.

Takuuehdot

- 1 Takuu kattaa tuotteen korjauksen. Takuu ei vastaa kuljetuksista tai muista kuluista, eikä kuljetuksesta johtuvista vaurioista.
- 2 Takuu on voimassa ainoastaan tuotteen alkuperäisellä ensiostajalla.
- 3 Takuu vastaa viallisista materiaaleista ja työstä takuuajan puitteissa, mutta ei vastaa:
 - a Jos tuote on huolimattomasti pakattu tai vääriin kytketty.
 - b Takuu ei vastaa jos tuotteen ohjeita ei ole noudatettu, tuotetta on muuteltu, huolimattomasti käytetty tai tuotteeseen on asennettu muita kuin B&W:n valmistamia osia.
 - c Takuu ei vastaa jos on käytetty virheellisiä, sopimattomia osia.
 - d Takuu ei kata onnettomuuksista, salamista, vesivahingoista, tulipaloista, sodista, säistä tai muista ulkoisista seikoista johtuneista vaurioista, mihin B&W tai tuotteen jälleenmyyjä ei pysty vaikuttamaan.
 - e Takuu ei vastaa tuotteesta, jos sarjanumeroa on muuteltu tai poistettu.
 - f Takuu ei vastaa jos huoltoon on suorittanut joku muu kuin virallisen jälleenmyyjän huolto.
- 4 Tämä takuu täydentää kansallisia/alueellisia jälleenmyyjän lainvelvollisuuksia eikä vaikuta sinun perusoikeuksiisi asiakaana.

Kuinka toimia jos tuote tarvitsee takuuhuolttoa

Jos tuotteesi tarvitsee takuuhuolttoa toimi seuraavasti:

- 1 Jos laite on käytössä maassa josta tuote on ostettu, ota yhteyttä B&W:n viralliseen jälleenmyyjään, liikkeeseen mistä olet laitteen ostanut.
- 2 Jos laite on käytössä muualla kuin maassa mistä tuote on ostettu, ota yhteyttä B&W:n paikalliseen viralliseen jälleenmyyjään, josta saat neuvoa missä saat laitteesi huollettua. Voit myös soittaa B&W:lle Englantiin tai käydä tutustumassa B&W:n internetsivuilla saadaksesi selville olinpaikkasi virallisen jälleenmyyjän.

Saadaksesi takuuhuolttoa tulee sinun täyttää tämä takuukirja ja saada jälleenmyyjältäsi ostopäivästä leima. Vaihtoehtoisesti

tarvitset jälleennyhjältä saamasi alkuperäisen ostodokumentin tai kutin, mistä ilmenee ostopäivä.

Omistajan kasikirja

TÄRKEITÄ TURVALLISUUS- NEUVOJA



Varo:

Pientenkätkesi sähköisku-vaaraa älä avaa laiteita. Ei sisällä käyttäjän huolellavia osia. Jätä huoltotoimenpiteet maahantuojaan valtuuttamalle huoltoilikeelle.

Graafisten merkkien selitykset:



Salama muustassa kolmiossa on tarkoitettu varoitamaan, että tuote sisältää suojaamatonta virtaa joka on riittävä aiheuttamaan tuntuva/ vaarallisia sähköiskuja.



Huutomerkki muustassa kolmiossa on tarkoitettu huomioimaan, että käyttöön ja huoltoon liittyvissä toimenpiteissä on tärkeitä toimia ohjeiden mukaisesti.

VAROITUKSIA:

- 1 Lue käyttöohjeet – Kaikki turvallisuus- ja käyttöohjeet tulee lukea ennen laitteen käyttöönottamista.
- 2 Noudata ohjeita – Ohjeita tulee noudattaa myös jatkossa.
- 3 Kunnioita varoituksia – Kaikki varoitukset ovat tarkoituksenmukaisia.
- 4 Toimi ohjeiden mukaan – Kaikkia ohjeita pitää seurata.
- 5 Virtalähde – Tätä laitetta tulee käyttää ainoastaan takapaneelin merkittyjen vaatimusten mukaisesti. Jos et ole varma konsultoi myyjäsi tai sähköyhtiöstäsi.
- 6 Maadoitus – Laitetta ei tarvitse erikseen maadoittaa. Varmista että pistoke on kunnolla (pohjassa) pistorasiassa tai asianmukaisessa jatkojohdossa. Vältä koskemasta pistokkeen metallisiin osiin.
- 7 Virtajohdon suojaaminen – Virtajohto pitää sijoittaa niin että se ei jää puristuksiin tai ”jalkoihin”, huomioi etenkin liittymäkohdat.
- 8 Ylikuormittaminen – Älä ylikuormita seinäpistorasioita, jatkojohtoja tai laitteiden omia virtaaloistuloja. Ylikuormittaminen voi johtaa tulipaloon tai sähköiskuihin/ -katkoihin.
- 9 Ilmanvaihto – Vahvistimen taustapaneelit on osa laitteen

jäähdytyspiintalaata, ja on huolehdittava että laitteita ei sijoiteta sängyn, sohvain, peiton tai muun tämän kaltaisten pintojen päälle. Varmista että jäähdytyslamellit ovat symmetrisesti suorassa. Laitetta ei tule sijoittaa kaappiin tai muuhun rakkiiin jollei voida varmistaa että ilmanvaihto ole riittävä tai ohjeiden mukaiset.

- 10 Lämpö – Laitte tulee sijoittaa etäälle muista lämpölähteistä, kuten patterit, puhallimet, hella, takat tai toiset lämpöä tuottavat tuotteet (kuten vahvistimet).
- 11 Seinä/kattokiinnitys – Laitte voidaan kiinnittää seinälle tai katoon vain valmistajan suosittelemalla tavalla.
- 12 Vesi/kosteus – Älä käytä laitteista vesilähteiden lähellä, eikä kosteissa tiloissa.
- 13 Esineen tai nesteen joutuminen laitteeseen – Älä koskaan työnnä mitään laitteen sisälle, sillä ne voivat oikosulkea tai osua virtapisteisiin josta voi syntyä tulipalo tai sähköiskuja. Älä myöskään kaada minkäänlaisia nesteitä laitteen päälle tai sisään. Älä sijoita mitään esineitä, jotka sisältävät nesteitä tuotteen päälle.
- 14 Puhdistaminen – Ennen puhdistamista ota pistoke irti virtalähteestä. Lue puhdistusohjeista lisää kohdasta ”jätkihoito”.
- 15 Yhtyeeniittäminen – Älä liitä tuotteita jotka eivät ole valmistajan suosittelemia, siitä voi seurata vahinkoja.
- 16 Lisävarusteet – Älä sijoita tuotetta epäpukevalle alustalle, sillä pudotessaan se saattaa vahingoittaa jotakuta sekä rikkoutua. Käytä ainoastaan valmistajan suosittelemia tai jälleennyhjään myymiä laitetelineitä. Laitteen asennus tulee noudattaa valmistajan ohjeita sekä käyttää suositeltuja asennusvälineitä.
- 17 Siirtäminen – Laitetekonaisuutta tulee siirtää huolellisesti. Nopeat liikkeet, raaka voima sekä epätasaiset pinnat saattavat edesauttaa laitteen kaatumiseen tai vahingoittamiseen. Tarkista, ettei maton alla ole kaapeleita jotka voisivat vahingoittaa kaiuttimen jalokojen piikkien osuessa niihin. Älä ”kävetyt” laitetta kartioalajallaan, sillä ne voivat väärinkäytettyinä irrota ja aiheuttaa vahinkoa. Ole varovainen, ettet loukkaa itseäsi teräviin jalokojen piikkeihin.
- 18 Käyttämättömyys – Pidempi aikojen käyttämättömyydeksi tulee laitteen virtajohto irrottaa.
- 19 Huolto – Älä yritä huoltaa laitetta itse, sillä laitteen avaaminen saattaa altistaa sinut vaaralliselle sähkövirralle tai toisille vaaroille. Jätä kaikki huoltotoimenpiteet valtuutetuille huoltoilikeille. Laitteen avaaminen itse on myöskin takuun mitätöintiinperuste.
- 20 Huoltoa vaativat vahingot – Seuraavissa tapauksissa laite pitää irrottaa virtalähteestä ja toimittaa valtuutetulle huoltoilikeelle:

- a Jos virtajohto tai pistoke on vahingoittunut.
- b Jos laitteeseen on valunut nestettä tai jokin muu objekti.
- c Jos laite on kastunut.
- d Jos laite ei toimi normaalisti toimissa ohjeiden mukaisesti. Säädä vain niitä säätimiä jotka mainitaan käyttöohjeessa, sillä toisten säätimien asiaton säätäminen voi aiheuttaa kattavia vahinkoja, joiden korjaaminen/palauttaminen normaalitylaan lisäävät tuntuvasti huoltotoimenpiteitä.
- e Jos laite on tippunut tai jotenkin muuten vahingoittunut.
- f Jos laitteen suorituskyky selvästi muuttuu on se merkki huollon tarpeesta.
- 21 Varaosat – Jos vaihto-osia tarvitaan varmista että käytetään valmistajan määräämiä alkuperäisiä varaosaita tai osia jotka vastaavat alkuperäisten ominaisuuksia. Asiattomat korvikkeet voivat aiheuttaa tulipalon, sähköiskuja tai muita vaaroja.
- 22 Sulakkeet – Laitteen pääsulakkeet ovat vahvistimen sisällä ja vaativat valtuutetun huoltoilikeen palveluksia. Vaihutosulakkeiden tiedot löytyvät teknisistä tiedoista.
- 23 Koekäyttö – Laitteen huollon jälkeen/ yhteydessä muista pyytää että valmis laite koekäytetään/turvallisuus varmistetaan, jotta voit olla varma että laite asianmukaisessa toimintakunnossa.
- 24 Magneettikenttä – Laitte tuottaa magneettikentän, jonka välittämättömään läheisyyteen ei pidä laittaa mitään joka voi vahingoittaa/häiriintyä. Kuten esimerkiksi video-, kasettinahat, pankki-/luottokortit, televisiot, monitorit, yms. magneettiset kojeet ja tallenteet. Häiriökentän vaikutus on noin 0,5m, (kuvauputki-) televisiot saattavat ottaa häiriötä kauempeakin.

日本語

保証期間

お客様各位

B&W 製品をお買い上げいただき、ありがとうございます。

当社製品は最高の品質水準で設計・製造されており、万が一製品に不備のある場合は、B&W 公認販売店のあるいかなる国においても、B&W Loudspeakers およびその各国販売店が無料で修理(例外もあり)および部品交換を行います。

この有限保証は、購入の日から5年間またはアンプスピーカーを含む電子機器の場合には2年間有効となります。

保証条件:

- 保証範囲は、製品修理に限定されます。交通費、その他の費用、また製品の取り外し、移動、設置に起因する故障の危険は当保証の対象外となっています。
- 当保証は、製品購入時に不良部品および/または製造上の欠陥があった場合のみに適用されます。以下の項目は適用外となりますのでご了承ください。
 - 不適切な設置、接続、包装によって生じた損傷。
 - 取扱説明書に記載された正しい使用方法以外の使用、本人の過失、改造、またB&W製またはその認定する以外の部品を使用したことによって生じた損傷。
 - 不良または不適切な付属器具によって生じた損傷。
 - 事故、雷、水害、火災、熱、戦争、争乱、またB&Wおよびその公認販売店の常識的管理の範囲を超えた不可抗力による損傷。
 - 製造番号が修正、削除、取り外し、また故意に判読不明にされた製品。
 - 認定外の者による修理、改造が行われた場合。
- 当保証は、各国/地方行政の定める代理店または各国販売店に課された義務を補足するものであり、消費者としての法定権利には影響しません。

取扱説明書

安全上のご注意

電源プラグはコンセントやテーブルタップの差し込み口に根元まで差し込み、プラグの電極部が露出しないようにしてください。

火災や感電を避けるため、雨のかかる場所や湿気の多い場所には置かないでください。

本体および添付した「安全上のご注意」に書かれている警告および注意をよくお読みください。

感電防止のため、キャビネットを開けたリリアパネルからアンプを取り外したりしないでください。万一故障した場合には、最寄のサービスセンター/営業所または、お買上げの販売店に修理をご依頼ください。

フューズホルダーはアンプモジュールの内部にあります。フューズをお替えになる場合はサービスセンターまたは営業所にご相談ください。

本機をご使用になる際は適切に換気されるよう配慮してください。後面のアンプ部の周囲の空気の

流れを妨げないようにしてください。キャビネットやリアパネルの放熱穴を覆わないでください。ラック・本棚・サイドボードや食器棚などの狭い空間は放熱を妨げるおそれがありますので、本機の背面の空気が十分に循環できる場合を除いてこのような場所は設置しないでください。

本機を設置する際、カーペットの下に他のケーブルが通っていないことを確認してください。本機のスパイク脚がケーブルを傷つけないおそれがあります。

本機の上に乗ったり、引きずったりしないでください。スパイク脚に無理な力を掛けると脚が本体から外れてキャビネットを傷ついたりすることがあります。

本機を移動する際にはスパイク脚で怪我をしないよう十分にご注意ください。

スピーカーのドライブ・ユニットは、キャビネットを超えて磁界を発生させます。磁気に反応しやすい物品(テレビやコンピューターのモニター、フロッピー・ディスク、オーディオビデオ、テープ、キャッシュ・カード類など)は、スピーカーから少なくとも0.5メートルは遠ざけておいてください。

本機の上に液体の入った容器を置かないでください。

はじめに

B&W アクティブ・サブウーファーをお買い上げいただき、ありがとうございます。

1966年の創業以来B&Wが持ち続けている哲学は、完璧な音の再現を追求することです。弊社の創始者である故ジョン・パウワースの影により、この探求はオーディオ技術や革新への大きな投資だけでなく、音楽への変化するところのない感謝とより良い映画音響への欲求を持ち続けることによって、こうした技術から最大の効果を引き出してきました。

このサブウーファーは、ホーム・シアターシステム用に、また、2チャンネル・オーディオにおける「フルレンジ」スピーカーの低音性能を向上させるよう設計されています。サブウーファーをお客様のシステムに加えることによって、低音の再生周波数帯域を広げるだけでなく、今あるスピーカーの低音再生周波数帯域を制限することによって、中音域の明瞭さを向上させることもできます。

このサブウーファーをご使用になる前に、この取扱説明書をよくお読みください。本製品の性能を最大限にお楽しみいただくには、音響システムに関するプランと試聴が必要となります。この取扱説明書はこうした過程においてお客様の手引きとなります。

サブウーファーは交流電源に接続されますので、安全上の注意を熟知し、すべての警告に従っていただくことが重要となります。

この取扱説明書は、今後の参照のために大切に保管しておいてください。

B&Wスピーカーは全世界60ヶ国以上の国々に出荷されています。また私たちは、慎重に選択された独自の輸入代理店の国際的ネットワークがあります。お買上げ販売店で解決できない問題がありましたら、弊社営業所が喜んでお客様のお手伝いをさせていただきます。

開梱 (図1)

破損を避ける最も簡単なサブウーファーの開梱方法は、以下のとおりです。

- 箱を開けフラップをいっぱい開いて、箱を中身ごと逆さまにします。
- 箱を持ち上げて製品から取り除きます。

箱と梱包材は、今後の使用のために保管しておくことをお勧めします。

箱の中には、この取扱説明書他に以下のものが入っています。

- サブウーファー本体 1台
- ゴム脚 4個
- スパイク脚およびロックナット 4組
- 保証書 1部

サブウーファーの構成 (図2)

- 1 ヒートシンク(放熱器)
- 2 スピーカーレベル信号入出力端子
- 3 ライン入出力端子
- 4 イコライザー(EQ)・スイッチ
- 5 ローパスフィルター周波数コントロール
- 6 フェイズ・スイッチ
- 7 ローパス・フィルター・ティファイトスイッチ
- 8 モード・オン/オート・スイッチ
- 9 電源オン/スタンバイ表示灯
- 10 ボリューム・コントロール
- 11 電源コード
- 12 パワーオン/オフ・スイッチ

サブウーファーの役割

用途: ホームシアター
サブウーファーの役割は、第一に低音効果(LFE)信号を再生することです。その他に、サラウンドプロセッサー(AVアンプ)は、スピーカー一設定で「スモール」を選ぶとそのチャンネルの低音成分をサブウーファーに振り分ける場合があります。

用途: 2チャンネル・オーディオ
サブウーファーはステレイトスピーカー(サブウーファーと組み合わせて使われる、各チャンネルの主帯域を受け持つスピーカー)の低音周波数特性を補強するために使われます。ほとんどの場合、ステレイトスピーカーを通常の使い方と同じように直接アンプのスピーカー端子に接続することによって最良の結果が得られます。この場合、サブウーファーのローパスフィルタは、ステレイトスピーカーの低音再生能力が自然に下がる特性に合わせてサブウーファーの出力レベルが上がるように設定します。しかしステレイトスピーカーがきわめて小さい場合は、ステレイトスピーカーのウーファーユニットの振幅がシステム全体の最大音量を制限してしまう場合があります。このようなときは、サブウーファーのハイパスフィルタを遮断することによってステレイトスピーカーに入力される低音信号を取り除く方が良い結果が得られます。

サブウーファーの設置

サブウーファーは低い周波数の音だけを出すので、フルレンジスピーカーと比べると、配置については、いくつかの点においてあまり重要ではありません。指向性に関する情報はさて正確なものではないので、大きな効果を出すためのスピーカーの設置場所については、より多くの選択が可能です。サブウーファーをステレイト・スピーカーの間に、あるいは、2つのうち1つのステレイト・スピーカーの近くに置くことと最大の効果が得られると言われています。もしサブウーファーを2台ご使用でしたら、1台は左チャンネルのスピーカーの近くに、もう1台は右チャンネルのスピーカーの近くに置いていただくのが最も良い方法です。

サブウーファーをリスナーの背後に置くこと、サラウンド音響システムの場合でも、一般的にはあま

りよい効果は得られませんが、家庭内の事情によつては妥協策とはなります。

あらゆるスピーカーについて言えることですが、部屋のコーナー付近は音に影響を与えます。スピーカー付近の壁面が多いほど低音は一般的に大きくなります。しかし、フルレンジスピーカーとは違って、サブウーファーのポリリウム・レベルを調節することで、常にシステム全体の正しいバランスをとることができます。部屋がより多くの音響効果を得られるほど、スピーカーのしなげはならない仕事は減るわけです。置く、欠点もあります。コーナーにスピーカーを置くと、低い周波数で、より大きな部屋共鳴が起こり、低音の周波数特性にあはれが出やすくなります。部屋はすべて効果に作用するので、正確には試聴してみるより方法はありません。従いまして、最終的な位置を決める前にサブウーファーをいろいろな場所に置いてみてください。低音域の音階が上がったり下がったりするような曲は、低音のレスポンスのスムーズさを評価するのに役に立ちます。誇張された音や小さな音をよく聴いてください。もう1台サブウーファーがあると、サテライト・スピーカーの配置とは別に、最高のイメージを得られる部屋共鳴を最適に利用することができます。

サブウーファーを閉鎖された場所(例えばオーガメドの家具内)で使用する場合は、十分な空気が循環するようにし、本体を冷却できるようにしてください。詳しくは販売店に相談してください。

サブウーファーには4つのスパイク脚があります。スパイクはカーペットのバイルを突き抜け、バイルを押しつぶさずに、サブウーファーを直接床表面にしっかりと安定させることができます。

ウッドフローリングの床などの傷つきやすい面に本体を置く場合は、各々のスパイクの下に保護受けを置くか、あるいは、スパイクの代わりに4つのゴム脚を付けるかのいずれかを行ってください。

ゴム脚あるいはスパイク脚を取り付けるときは、取り付けナットを回して足のネジ部が最大に出るようにしてください。次に、脚を回して、キャベツ基部の穴の開いた挿入口にしっかりと取り付けてください。本体が揺れる場合は、原因となる2つの対面する脚を安定するまで緩めてください。それから取り付けナットを挿入口にもう一度締め付け直してください。

電気接続

信号接続がなされチェックされるまでは、すべての音響システム機器は電源をオフにしておいてください。これによって、接続をしている間あるいは接続を解除している間の破損の危険性を避けることができます。

サブウーファーは、後部パネルにあるRCAピンジャックを通してラインレベル信号を、またスピーカーターミナルを通してスピーカーレベル信号(パワーアップ)によって増幅された信号)を出入力します。

以下の表を用いて、お客様のシステムに相応しい正しい配線方法を選択してください。

用途・ホーム・シアター

パワーアンプを内蔵していないサラウンド・プロセッサー(デコーダー)に、1台または2台以上のサブウーファーを接続する場合 - 図3

パワーアンプを内蔵しているサラウンド・プロセッサー(一般のA/Vアンプ)に、1台または2台以上のサブウーファーを接続する場合:

- ラインレベルのサブウーファー出力(プリアウト)がある場合 - 図4
- スピーカーレベルのサブウーファー出力がある場合(サブウーファー用のパワーアンプがある場合) - 図5

用途: 2チャンネル・オーディオ

センターアンプ:

- サテライトスピーカーに全帯域の信号を入力する場合:
 - 1台のサブウーファーを使用 - 図6
 - 2台のサブウーファーを使用 - 図7
- サブウーファーのハイパスフィルターを使用する場合:
 - 1台のサブウーファーを使用 - 図8
 - 2台のサブウーファーを使用 - 図9

プリメインアンプ:

- サテライトスピーカーに全帯域の信号を入力する場合:
 - 1台のサブウーファーを使用 - 図10
 - 2台のサブウーファーを使用 - 図11
- サブウーファーのハイパスフィルターを使用する場合:
 - 1台のサブウーファーを使用 - 図12
 - 2台のサブウーファーを使用 - 図13

2つ以上のサブウーファーの使用

1つのシステムに2台以上のサブウーファーを使用することによって、以下のように性能が改善されます。

- ステレオセパレーションを最低周波数まで維持できます。
- より大きなリスニング・ルームにも対応できます。
- より大きな最大サウンド出力が可能になります。ホーム・シアターに用いると、特殊効果を効果的に再現するのに役に立ちます。

- 低域周波数の部屋共鳴の効果を取り除くことができます。

2チャンネル・オーディオに2台のサブウーファーをお使いの場合に、それぞれのチャンネルにそれぞれサブウーファーがあれば、ステレオセパレーションが向上します。ただし、それぞれのサブウーファーが関連するサテライト・スピーカーの近くに置かれていなければなりません。各々のサブウーファーをサテライト・スピーカーの近くに置きたい場合のみ、図8にある順序を使用してください。

接続は二重にチェックしてください

アンプ・パネルに表示されている電圧と電源電圧が同じことを確認してください。

新しいシステムの音質を点検し微調整する前に、接続は二重にチェックしてください。コントロールをどのように設定してもよい音が得られない時、実は接続がどこかおかしいためであることがよくあります。確実に以下のことを行ってください。

- フェイズ(位相)調整が正しいこと - サテライト・スピーカーの正からの接続はありません。位相がどこかおかしい場合は、不正確で浮いた感じの薄った音になる。低音が十分ない、あるいはこの2つが組み合わさったような音とすることがあります。
- LchとRchの混同がないこと - これによって例えば、オーケストラの音が反対になったり、質の悪い音になったり、ホーム・シアターの音声が画面の動きと逆方向になったりすることがあります。

スイッチの切り替え

パワー・アンプがサブウーファーから信号を受ける前にサブウーファーのスイッチをオンにするようお奨めします。同時に、スイッチをオフにするときは、サブウーファーのスイッチは最後にオフにしてください。

モード・オン/オフ・スイッチ(8)と電源オン/スタンバイ表示灯(9)は次のように作動します:

オン:

スイッチがこの状態にあるときは、アンプは常にフルに動作する状態で、ランプは緑色になります。

オート:

スイッチがオートになっていると、最初にパワーオン/オフ・スイッチをオンにしたときアンプは動作状態になり、ランプ(9)が緑色になります。入力信号が約5分無音の場合は、アンプは自動的にスタンバイ・モードに戻り、ランプは赤になります。入力信号を感知すると、アンプは自動的に動作状態になり、ランプは緑色になります。

コントロールの設定

調整するコントロールは5つあります。

- ポリリウム・コントロール(10)
 - ローパスフィルター周波数コントロール(5)
 - ローパス・フィルター・ディファイトスイッチ(7)
 - フェイズ・スイッチ(6)
 - EQ(イコライザー)スイッチ(4)
- 最適な設定は、サブウーファーと共に使用される他の機器によります。2台以上のサブウーファーをご使用の場合は、必ずそれぞれのウーファーのコントロールを同じように設定してください。

ホームシアター

このサブウーファーは、THXのライセンスのあるコネクターにはありませんが、ご希望であればTHXコントロールと共に使用することができます。

- ポリリウム・コントロールを最初は9時の位置に設定してください。
- ローパス・フィルター・ディファイトスイッチをアウトに設定してください。
- EQスイッチを最初はAの位置に設定してください。
- フェイズ・スイッチを最初は0°に設定してください。
- ローパスフィルター周波数コントロールの設定をする必要はありません。

[微調整]の部も参照してください。

THXコントロールをお使いの場合は、サブウーファー機能が作動していることを確認してください。作動するように構成されているのは、あらゆるモードのサブウーファーに必要なあらゆるフィルタリングおよびレベル設定が組み込まれています。レベルの調整には、THXコントロールの内部テスト・ノイズおよびチャンネル・レベル・コントロールを使用します。あらゆる場合においてレベルは、リスニング・ポジションで、コントロールの内部テスト信号から75dB SPL(C-weighted)が得られるように設定してください。

その他のプロセッサーをお使いの場合は、レベルを設定する前に、フロントスピーカーおよびサラウンドスピーカーを[ラウド]または[スモール]のいずれか適切な方に合わせてください。すべてのスピーカーのレベルを設定するには、プロセッサーの内部テスト・ノイズ信号とポリリウム・コントロールを使用してください。正しいレベルを得るのに十分な変化量がプロセッサーにない場合は、サブウーファーのポリリウム・コントロールのみを変えてください。

安価なサウンド・レベル・メーターは、電子機器で簡単に手に入りますので、レベルの調整に利用してください。レベル設定の方法に関する詳細

については、プロセッサの取扱説明書を参照してください。

2チャンネル・オーディオに使用する場合

- ボリューム・コントロールを最初は9時の位置に設定してください。
- ローパス周波数スイッチをインに設定してください。
- EQスイッチを最初は位置Aに設定してください。
- フェイズ・スイッチを最初は180°に設定してください。

サテライト・スピーカーに全帯域の信号を入力する場合(図6、7、10、11)は

- ローパスフィルター周波数コントロールを、サテライト・スピーカーの-6dBカットオフ周波数に合わせてください。

-3dBと-6dBのカットオフ周波数はB&Wスピーカーの各々の製品仕様に記載されています。お使いになるサテライトスピーカーのメーカーが-6dBの周波数を記載せず-3dBの周波数だけを公表しているときは、ローパスフィルター周波数コントロールの適正な設定は-3dBの周波数の0.6倍から0.9倍までの間で、ロールオフ特性によります。サテライトスピーカーのロールオフが緩やかなほどローパスフィルター周波数を低く設定する必要があります。

サテライト・スピーカーにサブウーファーのハイパスフィルターを通して信号を入力する場合(図8、9、12、13)は

- ローパスフィルター周波数コントロールを最初は80Hzに設定してください。

「微調整」の部も参照してください。

微調整

ホーム・シアター

ホーム・シアターの場合、サブウーファー(LFE)信号は、サテライト・スピーカーへの信号の延長ではなく、別のチャンネルです。ローパス・フィルターはディカットにしてください。プロセッサが「スモール」に設定されたすべてのスピーカーのフィルタリングを行います。しかし、フェイズ・スイッチの位置は設定しなければなりません。通常、フェイズは0°に設定してください。サブウーファーが他のスピーカーとはかなり離れた距離に置かれている場合や、他のスピーカーを動作させるパワーアンプがたまたま信号を逆にしてしまう場合は、180°の位置が望ましいでしょう。スイッチを両方の位置に設定して試験し、最も完全な音が出る位置を選んでください。何ら大きな違いがなければ0°の位置に設定してください。

サウンド・プロセッサには通常、全スピーカーの相対レベルを設定するのに用いる調整されたノイズ信号があります。このため、2チャンネル・オーディオよりは作業がいくらか簡単になります。しかし、遠慮せずにご自分の好みに合わせて設定を変えてください。すでに、このサブウーファーの能力、特にいくつかの特殊な低周波数効果には夢中になれることと思います。サブウーファーのレベルを標準調整レベルよりも低く設定すると、よりリアルな音響が得られ、長期的にはよりご満足いただけると思います。

2チャンネル・オーディオ

フェイズ・スイッチとローパスフィルター周波数コントロールの最適な設定は相互関連しており、また、サテライト・スピーカーの低域ロールオフ特性にも左右されます。しかしサテライトスピーカーが密閉型であってもパスレフ式であっても、-6dBのカットオフ周波数がサブウーファーの調整範囲であれば、ほとんどの場合フェイズ・スイッチとローパスフィルター周波数コントロールは前項で推奨した設定が適合します。

サテライトスピーカーをサブウーファーのハイパスフィルターを介して接続するときは、サテライトスピーカーの-3dBカットオフ周波数が初期設定の80Hzより低ければ低く設定し、80Hzより高ければ高く設定する必要があります。

お好みの位置でシステムを設定し、何か安定した低音の入った曲を演奏してください。

前項の初期設定により、最初フェイズ・スイッチの位置を手チェックしてください。ふくよかな低音が得られる方を選んでください。通常は推奨設定が適合しますが、ラインレベルで接続している場合やサテライトスピーカーを駆動するパワーアンプが信号を反転している場合、またサブウーファーがサテライトスピーカーの近くに置かれていない場合などにはもう一方の位置が適合することもあります。

次にサテライト・システムに対するサブウーファーの音量バランスをお好みに設定してください。平均的な設定を行うには、様々なプログラムソースを用いてみてください。ある曲で印象的な音が出る設定でも、別の曲に対してはパワー過剰だったりします。現実的な音量で聴いてください。バランスの感覚はサウンド・レベルによって異なります。

最後にローパスフィルター周波数を微調整し、サブウーファーの音とサテライトスピーカーの音がスムーズにつながるようにしてください。おそろくこの調整を最適化するのが最も難しいでしょう。

すべての用途

EQスイッチは低音のロールオフ特性を変化させます。実際に聞こえる低音はサブウーファー自体から出る音と部屋の反響の重ね合わせで得られているので、お使いになる部屋の特性とサブウーファーの置き場所との兼ね合いでより良い方に設定してください。位置Aは比較的ドライな特性を持っており、サブウーファーを部屋の角に置く場合や音がこもりやすい部屋の特性を補正するのに適しています。位置Bは部屋の音響特性がドライな場合や角から離れて設置する場合に適します。

低音がアンバランスな感じがするといった問題、すなわち、ある低音が他の音よりも強調されすぎる場合、それは、部屋の影響があるためです。サブウーファーの設置をいろいろ変えてみてください。設置場所については小さな変化—15cm(6インチ)ほど—でも、音響に対しては大きな影響を与えることがあります。サブウーファーを床から上げてみたり、横に動かしたりしてみてください。複数のサブウーファーをご使用になると、部屋の共鳴効果をなめらかにすることができます。というのもそれぞれサブウーファーは異なる周波数で共鳴を増幅させる傾向があるからです。リスナーからサブウーファー(1つまたは複数)およびサテライトスピーカーまでの相対距離を大幅に変えた場合は、フェイズ・スイッチの設定をもう一度確認してください。サブウーファーのレベル設定を手チェックすることもできますが(プロセッサの出力レベルがサブウーファー・アンプのボリューム・コントロールのいずれか適切な方を用いて)、これは、フェイズを正しく設定してからにしてください。

2台以上のサブウーファーをご使用の場合は、それぞれのサブウーファーのローパスフィルター周波数とフェイズ・スイッチを同じように設定してください。

サブウーファーのお手入れ

サブウーファーのキャビネットは、乾いた布で埃を払う程度できれいになります。スプレー式のクリーナーをお使いになる場合は、キャビネットに直接スプレーしないで布にスプレーしてください。まずグリルを外してグリルの布が汚れない

ようにしてください。グリルを外している間はドライブ・ユニットに触れないように気を付けてください。グリルは柔らかいブラシで清掃してください。

サブウーファーをテーブルとして使用しないでください。テーブルのように使用すると、サブウーファーの上に乗った物がたがた揺れます。特に、液体がこぼれないようにしてください(例えば、飲み物や花瓶など)。

システムを長期間使用しない場合は、サブウーファーを電源から抜いてください。

尊敬的顧客

歡迎選購 B&W 產品。

本產品的設計和製造滿足最高的質量標準。但是，如果本產品確實出現了問題，不論是由正式的 B&W 銷售商服務的任何國家，B&W Loudspeakers 和它的國內銷售商都將保證提供免費更換部件。

該有限擔保的有效期為自購買日起 5 年，或對包括揚聲器在內的電子設備有效期為 2 年。

條款

- 1 該擔保僅限於設備的修理。它不包括產品的運輸和任何其他費用，也不擔保任何由於產品的搬動、運輸和安裝引起的風險。
- 2 該擔保只對原有者有效。不可轉讓。
- 3 該擔保僅適用於由在購買時存在的材料和/或做工缺陷所引起的故障，它不適用於：
 - a 由於不正確的安裝、連接和包裝造成的損壞；
 - b 由於沒有按照用戶說明書里闡述的正確使用方法使用、粗心大意、改裝、或使用未經 B&W 認可的部件而造成的損壞；
 - c 由於不完善的或不適合的輔助設備造成的損壞；
 - d 由於事故、閃電、水、火、熱、戰爭、公共騷亂或任何其他在 B&W 和它指定的銷售商們的合理控制之外的原因造成的損壞；
 - e 序號被更改、擦塗、去除或使無法辨認的產品；
 - f 如果經非指定人員修理或改裝過；
- 4 該擔保是對銷售商或國內批發商的任何國家/地區的法律責任的補充，它不影響你作為顧客的法定權益。

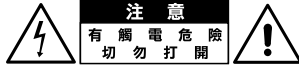
如何要求擔保維修

如果需要服務，請按下列步驟進行：

- 1 如果設備是在購買的國家使用，你應當與 B&W 所指定的銷售了該設備的銷售商聯系。
- 2 如果設備是在購買的國家以外使用，你應當與居住國的 B&W 國內銷售商聯系，它們會告訴你那里可以修理設備。你可以打電話給英國的 B&W 或訪問我們的網站來獲取你們當地銷售商的聯系詳情。

為使你的擔保生效，你需要在購買的當天填好這個擔保手冊，並由銷售商蓋章。或者，你需要有原始發票或具有所有權和購買日期的其他憑證。

重要的安全指標



注意：

為了降低電擊危險，不要取下後面的蓋板。內部沒有可供用戶使用的部件。有關維修服務的問題，請向專業人員諮詢。

圖示說明：



等邊三角形內的閃電符號是用來提醒您注意：產品內部的未絕緣“危險電壓”足以對人體產生電擊。



等邊三角形內的感嘆號是用來提醒您注意：隨本產品附有重要的操作及維護（維修）說明書。

警告事項：

- 1 閱讀說明書：在使用本電器之前，應閱讀所有安全及操作說明書。
- 2 保存說明書：應保存好安全及操作說明書，以供日後使用。
- 3 注意警告事項：應遵循電器及操作說明書中的所有警告事項。
- 4 遵循說明書：應遵循操作及使用說明書所述的所有內容。
- 5 電源：只能根據後面蓋板標識的電源種類使用該電器。如果不能確定所在地的電源種類，請向該產品經銷商或當地供電公司諮詢。
- 6 接地或極性：本電器不需接地連接。確保插頭完全插入牆壁上的電源輸出口，避免引腳裸露。標明用於 110 伏 ~130 伏電源的產品配有適用於交流電源插頭（該插頭的引腳比其他插頭的引腳要寬）。電源線。該插頭只能單向插入電源輸出口，因這是一種安全性插頭。如果不能完全將插頭插入電源輸出口，請按相反方向再次插入。如果插頭仍不適用，則請電工更換電源輸出口。不要破壞該極性插頭的安全性。當使用延長型電源線或其他電源線時，這些導線應與適合之模壓插頭相匹配，並執行使用該電器所在國的相應的安全標準。
- 7 電源線保護：應布置好電源線，不能重疊或壓緊，特別要注意插頭處的電源線，插座的方向性及從電器出口後的位置。
- 8 超載：不要使牆壁（外線）電源輸出口、延長型電源線、或插座整體的負荷過重，因為這會導致火災或電擊危險。
- 9 通風：產品後部的放大器面板形成了散熱裝置，不許將其放在床、沙發、毯子或其他類似物體的表面，並將其遮蓋。確保散熱片沿垂

直方向對齊，以保證良好的冷卻效果。不應把該產品置於嵌入式安裝位置，如：托架、書架或櫃檯，除非有良好的通風條件或遵循製造商的使用說明書。

- 10 熱：本產品應遠離熱源，如：輻射裝置、暖氣門、爐或其他發熱裝置（包括放大器）。
- 11 牆壁式或天花板安裝：只能根據製造商的推薦，在牆壁上或天花板上安裝該產品。
- 12 水份及濕氣：不要在近水處使用該產品，例如：浴缸、洗臉盆、炊具、洗衣盆、潮濕牆腳處，游泳池附近等地。
- 13 物體及液體的進入：絕不許通過入口把物體置入該產品內部，因為這可能會碰到危險電壓元件，或可能引起火災或電擊的部件短路。絕不允許任何液體濺入該產品。請勿將裝有液體之容器放置於產品上。
- 14 清潔：在清潔之前，從牆壁電源輸出口取下插頭。請參考本手冊之“護理 (Aftercare)”部份的清潔說明。
- 15 附加裝置：不要使用非本產品製造商推薦的附加裝置，因為這可能會產生危險。
- 16 附件：不要把該產品置於不穩定的手推車、支架、三角架、托架或台桌上。否則，該產品可能會掉下，從而對小孩或成人引起嚴重事故。只能使用製造商推薦的或隨本產品出售的手推車、支架、三角架、托架或台桌。不管以哪種方式安裝該產品，都應按照製造商的操作說明書，並使用製造商推薦的安裝附件。
- 17 移動該電器：用手推車運送時，應小心謹慎。突然停止太快、用力過猛或路面不平都可使該產品及手推車翻倒。檢查地毯下方應沒有可能被釘腳損壞的電纜線。不應將該產品置於釘腳上，因為這樣，產品會從櫃檯中掉落，並引起損壞。小心注意安全，不要被釘腳刺傷。
- 18 停用期間：當長期不用該電器時，應從牆壁電源輸出口取下電源線插頭。
- 19 維修：不要試圖自己維修該產品，因為開啟或取下蓋子都可能使您面臨危險電壓或其他危險因素。需要維修時，請 B&W 認可專業維修人員進行維修。
- 20 損壞性維修：從牆壁電源輸出口取下電源插頭，並在下列情況下，請 B&W 認可專業維修人員維修：
 - a 電源線或電源插頭被損壞。
 - b 液體濺入或其他物體掉入該電器內部。
 - c 本產品裸露在雨或水中。
- 21 按照說明書所述的操作方法，該產品仍不能正常工作。只需調節操作說明中提到的控制開關，但對其他控制開關的不當調節會引

起損壞，並經常需要 B&W 認可專業人員的額外維修，以使其恢復到正常的工作狀態。

- e 本產品掉落在地或遭到各種方式的損壞。
 - f 當產品性能發生明顯變化時，這表明需對其進行維修。
- 21 替換用部件：當替換部件時，一定要保證維修人員所使用的部件是製造商規定的部件，或該部件應與原部件具有相同的性能。用不適合之部件進行更換，可能會引起火災、電擊或其他危險。
- 22 主保險管位於放大器內部。在更換時，應委託受權之 B&W 轄下代理商。替換保險管的種類在技術規格中有說明。
- 23 安全檢查：在維修結束時，應請維修人員進行安全檢查，以確認產品處於良好的工作狀態。
- 24 磁場：本產品會產生游離性靜電磁場。請不要在電器周圍 0.5 米 (2 英尺) 以內的地方放置可能該磁場損壞的物體，如：陰極射線管、電視或電腦顯示器、聲訊磁帶及插板。該電器可使此範圍內的陰極射線管之圖像失真。

操作說明

感謝您購買 B&W 產品有源超低音音箱 (B&W Active Subwoofer)。

B&W 公司從 1966 年成立時起，始終不渝的信念就是要追求音質完美的音響製品。由於公司的創始人 (已過世 John Bowers) 的鼓勵，該追求目標不僅在音響技術和創新方面投入了鉅資，還滿足了音樂欣賞及電影音響的需要，從而保證其技術達到了最大效果。

該有源超低音音箱是為家庭影院設計，且在雙聲道音頻中增大“全頻”式音箱的低音功能。如果在您的系統中增加該有源超低音音箱，不僅可使該低音頻率更低，而且還可通過減少現有音箱之低頻的方式，提高中音的清晰度。

在使用本有源超低音音箱之前，請全面閱讀本說明書。若想獲得良好的安裝效果，則需在安裝過程中進行規劃和試驗。如果您想獲得最佳效果，該手冊會為您提供操作方面的指導。

由於本有源超低音音箱與電源連接，故非常重要：您應熟悉有關的安全說明，並注意所有的警示性話語和標識。

將該手冊置於安全地方，以供日後參考使用。

B&W 音響產品銷售於世界 60 多個國家，經過仔細挑選的國際營銷網路和專業分銷商。如果有的問題當地經銷商不能解決，我們的分銷商會樂意為您提供援助。

拆開包裝 (圖 1)

拆開本有源超低音音箱包裝及免遭損壞的最簡單方法如下：

- 打開包裝盒的後部邊口，將包裝盒及音箱倒置。
- 取下包裝盒。

建議將包裝盒保留，以供日後使用。

除本手冊以外，該包裝盒還應裝有下列物品：

- 1 只有源超低音音箱；
- 4 只螺旋式塑膠支墊；
- 4 只帶鎖帽的螺旋式釘腳；
- 1 套全球性保修文件。

有源超低音音箱之組成部件 (圖 2)

- 1 散熱片
- 2 音箱接線柱
- 3 輸入/輸出插座
- 4 補償 (EQ) 開關
- 5 低通濾波器 (LOW-PASS FILTER) 頻率選擇制
- 6 相位選擇制
- 7 低通濾波器開關
- 8 模式接通/自動開關
- 9 開機/待機指示燈
- 10 音量控制開關
- 11 電源線
- 12 源開關

本有源超低音音箱有哪些用途：

用途：家庭影院

本有源超低音音箱的主要功能就是從低頻效果 (LFE) 聲道重新產生信號。此外，可以配置處理器，從而轉換部份聲道或其他所有聲道的低音，並通過把這些音箱設定為處理器中“小 (small)”的辦法，使低音信號增加到低頻效果 (LFE)。

用途：雙聲道音頻

本有源超低音音箱用來增強衛星音箱 (satellite speakers) 所提供的低頻回應。在大多數情況下，如果衛星音箱以最大功率運行，與功率放大器的標準方向一致，才能獲得最好效果。然後，配置該有源超低音低通濾波器，以使輸出效果升至衛星音箱自然下降的程度。但是，如果衛星音箱很小，若對低音驅動器實行超負荷運行，該系統之輸出電平可能會受到限制。如果這樣，在有源超低音音箱中，可使用高通濾波器來限制反饋到衛星音箱的低音能量，可獲得更好的效果。

有源超低音音箱的安裝位置

由於本有源超低音音箱只能產生低頻聲音，與全頻音箱比較，其安裝位置從某種程度來說就顯得不重要。如果方向不對，可進行廣泛調整，從而獲得較好效果。這就是說，如果把該有源超低音音箱置於左、右音箱之間或其中任何一個附近，可獲得最好效

果。如果使用 2 只有源超低音音箱，最好是將其中一隻置於左邊音箱附近，另一隻置於右邊音箱附近。

若把有源超低音音箱置於聽眾後方，即使處於環繞聲的安裝狀態，在一般情況下，也會對圖像產生影響。但是，如果國內允許，可這樣安裝。

對於所有音箱，過於接近房間牆壁都會對聲音產生影響。如果有個多個表面與音箱貼近，在一般情況下，低音也會增加。但是，與全頻音箱不同的是，通過調節音量，總能使系統在總體上恢復到正常狀態。房間的低頻放大器越多，音箱工作起來就越容易，但需有一個方向。角落位置會經常使房間產生低頻共振現象，從而使低音與低頻更不協調。由於各房間的效果不同，故無法進行替換性試驗，因此，在作出最後決定之前，應從多方位對本有源超低音音箱進行試驗。可用一段有低音、降的音樂，該音樂節奏對評定低音回應的平穩度非常有用。聽一聽被誇大或縮小的說明意見。一隻單獨的有源超低音音箱確能把衛星音箱的音場調至最佳狀態，使房間的共振效果達到最佳狀態。

如果把該有源超低音音箱置於狹小的空間，如：人造的傢俱，該空間則必須通風良好，從而具有足夠的空氣流通，使該音箱內之放大器得到良好工作溫度。請向當地經銷商諮詢有關建議。

本有源超低音音箱配有四個釘腳。該釘腳會刺穿地毯，固定在地板上，不致壓壞地毯之毛絨。

如果把該有源超低音音箱置於易受損壞的物體表面，如：木制地板，或則置於每個釘腳下方的保護性圓盤上，或置於四條塑膠支腳上代替釘架。

不管是安裝塑膠支架，還是安裝釘腳，都必須首先把卡鎖螺帽全部旋入螺紋，再把支腳全部旋入櫃體底部的攻絲插孔中。如果音箱擺動，則需鬆動兩隻相對的支腳，直至支腳堅固為止，再重新將插鎖鎖帽擰緊。

電器連接

斷開所有音響設備的電源，直至完成信號線路的連接，並詳細檢查妥當。這樣，可避免在連接或中斷過程中產生的損壞事故。

通過 RCA 插座或通過位於背板的接線柱，本有源超低音音箱提供輸入和輸出兩種連接方法。

在進行安裝時，請按照下列說明，從而選擇正確的接線方法：

用途：家庭影院

處理器配有供一個或多個有源超低音音箱的功率放大器，圖 3。

處理器配有供一個或多個有源超低音音箱使用的功率放大器；

- 一具有超低音信號輸出，圖 4；
- 一具有音箱電平信號超低音輸出，見圖 5；

用途：雙聲道音頻

獨立前級放大器及功率放大器

— 全頻信號衛星音箱：

— 一隻有源超低音音箱，圖 6；

— 兩隻有源超低音音箱，圖 7；

— 高通信號衛星音箱：

— 一隻有源超低音音箱，圖 8；

— 兩隻有源超低音音箱，圖 9；

合併式功率放大器

— 全頻信號衛星音箱：

— 一隻有源超低音音箱，圖 10；

— 兩隻有源超低音音箱，圖 11；

— 高通信號衛星音箱：

— 一隻有源超低音音箱，圖 12；

— 兩隻有源超低音音箱，圖 13；

使用有源超低音音箱多於 1 只時

若採用下列方式，當在單個安裝場所使用的有源超低音音箱多於 1 只時，可以改進其性能：

- 保持最低頻率的音壓聲分佈。
- 能配合大的聆聽房間。
- 用最大輸出音量—經常在家庭影院使用的情況下會產生特別效果。
- 消除房間的低頻共振效果。

如果在雙聲道音頻中使用 2 只有源超低音音箱，若每個聲道有自己的音箱，當每個音箱都靠近相應的衛星音箱時，音壓聲的分隔效果則得到提高。如果不能把音箱置於相應的衛星音箱附近時，只能使用圖 8 所示的單一連接方法。

對連接結果檢查兩次

確保放大器面板上所示的電壓與所供電源相匹配。

在試聽新裝音響的效果及進行微調前，應對連接情況檢查兩次。所有用戶都經常抱怨不能獲得良好的音質，即使他們調節了相應的控制開關，最後才發現音箱的連接出了問題。故一定要確保：

- 相位正確，衛星音箱的正極不能與負極連接；如果相位不正確，聲音可能會失真，音場也會不清楚且會波動；缺乏低音或兩低音混合。
- 左、右連接不能混合。例如：這會導致出現錯誤的管弦音樂，更為嚴重的是，家庭影院的聲音發出方向會與螢幕移動的方向相反。

接通和斷開電源

建議功率放大器從有源超低音音箱收到信號之前，接通有源超低音音箱之電源開關。與此相似，當斷開電源時，應最後斷開有源超低音音箱之電源開關。

模式接通/自動開關 (MODE On/Auto switch) (8) 和指示燈 (9) 的操作如下：

接通 (On)：

當開關處於此位元時，放大器會永遠保持在全啟動狀態，指示燈為綠色。

自動 (Auto)：

當設定為自動 (AUTO) 狀態時，首次接通有源超低音音箱電源時，放大器會

處於全啟動狀態，指示燈 (9) 變綠色。當無輸入信號約 5 分鐘後，放大器會自動返回到待機模式，指示燈變紅。當檢測到輸入信號時，放大器會自動變為全啟動狀態，指示燈變為綠色。

設定控制開關

有五個控制開關：

- 音量控制器 (10)
- 低通濾波器頻率選擇制 (5)
- 低通濾波器開關 (7)
- 相位選擇制 (6)
- 補償開關 (4)

控制開關的最佳設定取決於與有源超低音音箱同時使用的其他設備。如果使用兩個以上有源超低音音箱，應確保每個音箱的控制開關都設定在同一位置。

家庭影院

該音箱不是 THX® 公司授權的部件，但如果需要時，則可與 THX® 同使用。

- 把音量 (VOLUME) 控制設定在 9 點鐘位置。
- 把低通濾波器 (LOW-PASS FILTER) 頻率選擇制設定在“OUT”位置。
- 把補償開關 (EQ) 設定在 A 位置。
- 把相位選擇 (PHASE) 設定在“0°”位置。
- 低通濾波器 (LOW-PASS FILTER) 頻率選擇控制的設定無關緊要。

也可參見“微調 (Fine tuning)”部份。

如果具有 THX® 控制器，應確保有源超低音音箱的功能被啟動。當這樣配置時，應把有源超低音音箱在各種模式所需的濾波器及電平設定狀態結合在一起。在所有情況下，都應根據控制器內部雜訊測試信號的收聽位置，把電平設定在 75 分貝 SPL 處 (C-加權)。

對於其他處理器，在設定電平之前，應把前部和周圍的音箱置於相應的“大”或“小”位。使用處理器的內部雜訊測試信號及音量控制，設定所有音箱的電平。如果處理器不足以達到正常電平，只需改變有源超低音音箱的音量控制 (VOLUME) 的位置。

聲壓測量表的價格很便宜，可從電子商店購得，可用其校正電平。有關設定電平的詳細內容，可參閱處理器使用手冊。

2-雙聲道音頻

- 把音量 (VOLUME) 控制設定在 9 點鐘位置。
- 把低通濾波器 (LOW-PASS FILTER) 頻率選擇制設定在“IN”位置。
- 把補償開關 (EQ) 設定在 A 位置。
- 把相位選擇 (PHASE) 初始設定在“180°”處。

如果您使用全頻衛星音箱 (圖 6, 7, 10, 11)。

- 把低通濾波器 (LOW-PASS FILTER) 頻率選擇制設定在衛星音箱頻率的 -6dB 截止處。

可在 B&W 音箱型號的技術規格中發現參數 -3dB 及 -6dB。但是，如果衛星音箱的製造商沒有指出 -6dB 頻率，而僅是指出了 -3dB 頻率，低通濾波器頻率的最佳設定值應在 -3dB 的 0.6-0.9 倍之間，這取決於滾降頻率的設置。衛星音箱的頻率滾降率越慢，頻率的設定值則越低。

如果使用高通衛星音箱 (圖 8, 9, 12, 13)。

- 在最初時把低通濾波器 (LOW-PASS FILTER) 的頻率選擇制設定為 80HZ。

可參閱微調 (Fine tuning) 部份。

微調

家庭影院

對於家庭影院，有源超低音音箱的低頻效果 (LFE) 是獨立聲道，而非衛星音箱的信號延伸。低通濾波器 (LOW-PASS FILTER) 頻率選擇制已經斷開，因為處理器對設定在“小 (small)”位的音箱進行了過濾。但是，仍需考慮設定相位開關的位置。在正常情況下，相位開關應設定在 0°。但是，如果把有源超低音音箱置於距離其他音箱較遠的地方，或者驅動其他音箱的功率放大器碰巧使信號反向，則最好把相位開關置於 180°。應在選擇制處於兩個位置時，進行收聽，並選擇音量最大的那個位置。如果有一少許區別，可把相位選擇置於 0°。

環繞聲處理器一般都有一種能用來設定各音箱相對電平的標準雜訊信號，從而使它的作用在某種程度上比雙聲道音頻系統更直接。但是，如需改變設定來滿足您的喜好，則不要猶豫。因為很容易取消該有源超低音音箱的功能，特別是某些特殊情況的低頻效果。通常更現實地，從長遠來說是更為滿意的情況，是把本有源超低音音箱的電平設定到比標準校正電平更低的狀態。

雙聲道音頻

相位選擇 (PHASE) 的最佳設定值與低通濾波器 (LOW-PASS FILTER) 頻率選擇制具有內在聯繫，同時也取決於衛星音箱的低頻截止特性。但是，以上所推薦的低通濾波器頻率和相位的設定值已被選定，對大多數低音設置，無論是氣墊式音箱，還是低音反射式音箱，在有源超低音音箱調節範圍內增加 -6dB 的頻率。

如果通過該有源超低音音箱的高通濾波器向衛星音箱發送信號，當衛星音箱的頻率 -3dB 低於 80HZ，需把頻率設定到低於 80HZ 的初始值；如果高於 80HZ，則需把頻率設定到較高值。

把系統設定到你喜歡的位置，並用穩定的低音內容播放部份節目。

當使用初始設定指南時，應首先檢查相位 (PHASE) 選擇的設定狀態，選擇能發出最大音量的位置。在正常情況

下，推薦位置應是最佳狀態的位置，但在某一具體環境中又可能不是最佳狀態的位置，例如：您正在使用線路電平連接方式，且向衛星音箱發送信號的功率放大器使信號反向；或該有源超低音音箱沒有置於衛星音箱附近。

接著，把與衛星系統相關的有源超低音音箱的音量調到您所喜歡的程度。使用各種程式材料，進行中等程度的設定。在此音量時，該音量可能比其他音量大。在所需音量位置聽一聽，因為對音量平衡度的理解會隨音量的變化而發生變化。

最後，把低通濾波器 (LOW-PASS FILTER) 的頻率調到有源超低音音箱與衛星音箱之間的最佳變調位置，這可能是很困難才達到。

各種應用

補償開關 (EQ) 改變低音滾降頻率的設置。您聽到的低音為有源超低音音箱與房間效果的綜合結果，應選擇您房間與有源超低音音箱配合的最佳位置。位置 A 可進行更乾燥場所的設置，更適合把有源超低音音箱放置在角落或轟鳴性的房間。位置 B 更適合於一般幹噪的房間，但應遠離房間角落。

如果低音不平衡，即某些低音符比其他音更需誇張，那麼可能是房間的介面有問題，可試調整本有源超低音音箱的位置。安裝位置的微小變化，哪怕是 15 釐米 (6 英寸) 左右，都會對聲音產生重大的影響。試著把有源超低音音箱的位置升高，同時作橫向移動。使用多個有源超低音音箱能平緩房間的共振效果，因為每個有源超低音音箱會用不同的頻率產生共振。如果改變有源超低音音箱和衛星音箱至聽眾的相對距離，需重新調整相位選擇的設定位置。您還應檢查本有源超低音音箱的電平設定狀態 (可使用處理器的輸出電平，也可使用有源超低音放大器的音量控制器)，但只能正確設定了相位選擇的位置之後才能檢查電平的設定狀態。

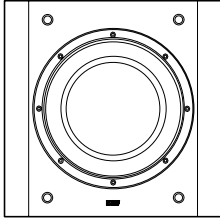
當使用的有源超低音音箱不只一個時，應確保每個音箱的低通濾波器 (LOW-PASS FILTER) 頻率和相位以相同方式設定。

小心維護本有源超低音音箱

可用幹布擦去本有源超低音音箱外殼的灰塵。如果希望使用噴霧性清潔劑，請不要直接噴向外殼，應先噴在抹布上。首先，取下格子，以便抹布不被沾汙，但需小心，不要影響到驅動元件。格子本身可用軟刷進行清潔。

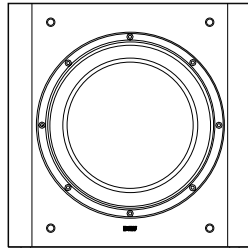
不要把本有源超低音音箱當桌台使用。在使用時，有源超低音音箱頂部的物體會發出卡嗒卡嗒聲。在特殊情況下，應避免液體濺入 (如：因飲用水或花瓶中的水而濺入)。

如果長時間不用本系統，應斷開電源。



ASW600

Description	Active closed-box subwoofer system
Drive units	250mm (10 in) paper/Kevlar® cone
System frequency range	-6dB at 22Hz and 180Hz adjustable (EQ at A)
System frequency response	-3dB 26Hz – 150Hz adjustable (EQ at A)
Amplifier	<p>Power output: 150W continuous</p> <p>Input impedance: 22kΩ</p> <p>Signal / noise: >90dB</p> <p>Functions: Output level Low-pass filter frequency Low-pass filter bypass Bass roll-off alignment Auto sense on/standby</p> <p>Inputs: Line In Speaker level (binding posts)</p> <p>Outputs: Line Out (high-passed) Link Out (parallel to Line In) Speaker level out (high-passed)</p>
Low-Pass Filter	Active 2nd-order, variable cut-off frequency
High-Pass Filter	<p>Line level: Active 3rd-order at 80Hz</p> <p>Speaker level: Passive 1st-order at 80Hz (8Ω load)</p>
Dimensions	<p>Height: 365mm (14.4 in) not including spike feet</p> <p>Width: 365mm (14.4 in)</p> <p>Depth: 450mm (17.7 in) including grille and controls</p>
Net Weight	19.5kg (43 lb)



ASW650

Description	Active closed-box subwoofer system
Drive units	300mm (12 in) paper/Kevlar® cone
System frequency range	-6dB at 20Hz and 180Hz adjustable (EQ at A)
System frequency response	-3dB 25Hz – 150Hz adjustable (EQ at A)
Amplifier	<p>Power output: 200W continuous</p> <p>Input impedance: 22kΩ</p> <p>Signal / noise: >90dB</p> <p>Functions: Output level Low-pass filter frequency Low-pass filter bypass Bass roll-off alignment Auto sense on/standby</p> <p>Inputs: Line In Speaker level (binding posts)</p> <p>Outputs: Line Out (high-passed) Link Out (parallel to Line In) Speaker level out (high-passed)</p>
Low-Pass Filter	Active 2nd-order, variable cut-off frequency
High-Pass Filter	<p>Line level: Active 3rd-order at 80Hz</p> <p>Speaker level: Passive 1st-order at 80Hz (8Ω load)</p>
Dimensions	<p>Height: 415mm (16.4 in) not including spike feet</p> <p>Width: 415mm (16.4 in)</p> <p>Depth: 495mm (19.5 in) including grille and controls</p>
Net Weight	25.5kg (56 lb)

B&W Bowers & Wilkins

B&W Loudspeakers Ltd
Dale Road
Worthing West Sussex
BN11 2BH England

T +44 (0) 1903 221800
F +44 (0) 1903 221801
info@bwspeakers.com
www.bwspeakers.com

UK Sales Enquiries and Service
T +44 1903 221 500
E uksales@bwspeakers.com

B&W Loudspeakers of America
T +1 978 664 2870
E marketing@bwaudio.com

B&W Loudspeakers (Asia) Ltd
T +852 2 790 8903
E bwahome@bwspeakerasia.com.hk

Kevlar is a registered trademark of Dupont.
Nautilus is trademark of B&W Loudspeakers Ltd.
Copyright © B&W Loudspeakers Ltd. E&OE
Designed by Thomas Manss & Company.
Printed in Spain.

Free Manuals Download Website

<http://myh66.com>

<http://usermanuals.us>

<http://www.somanuals.com>

<http://www.4manuals.cc>

<http://www.manual-lib.com>

<http://www.404manual.com>

<http://www.luxmanual.com>

<http://aubethermostatmanual.com>

Golf course search by state

<http://golfingnear.com>

Email search by domain

<http://emailbydomain.com>

Auto manuals search

<http://auto.somanuals.com>

TV manuals search

<http://tv.somanuals.com>